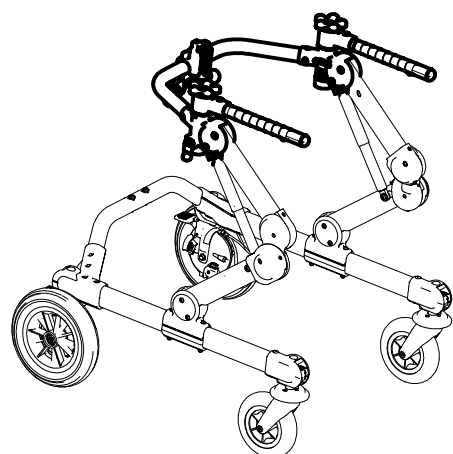
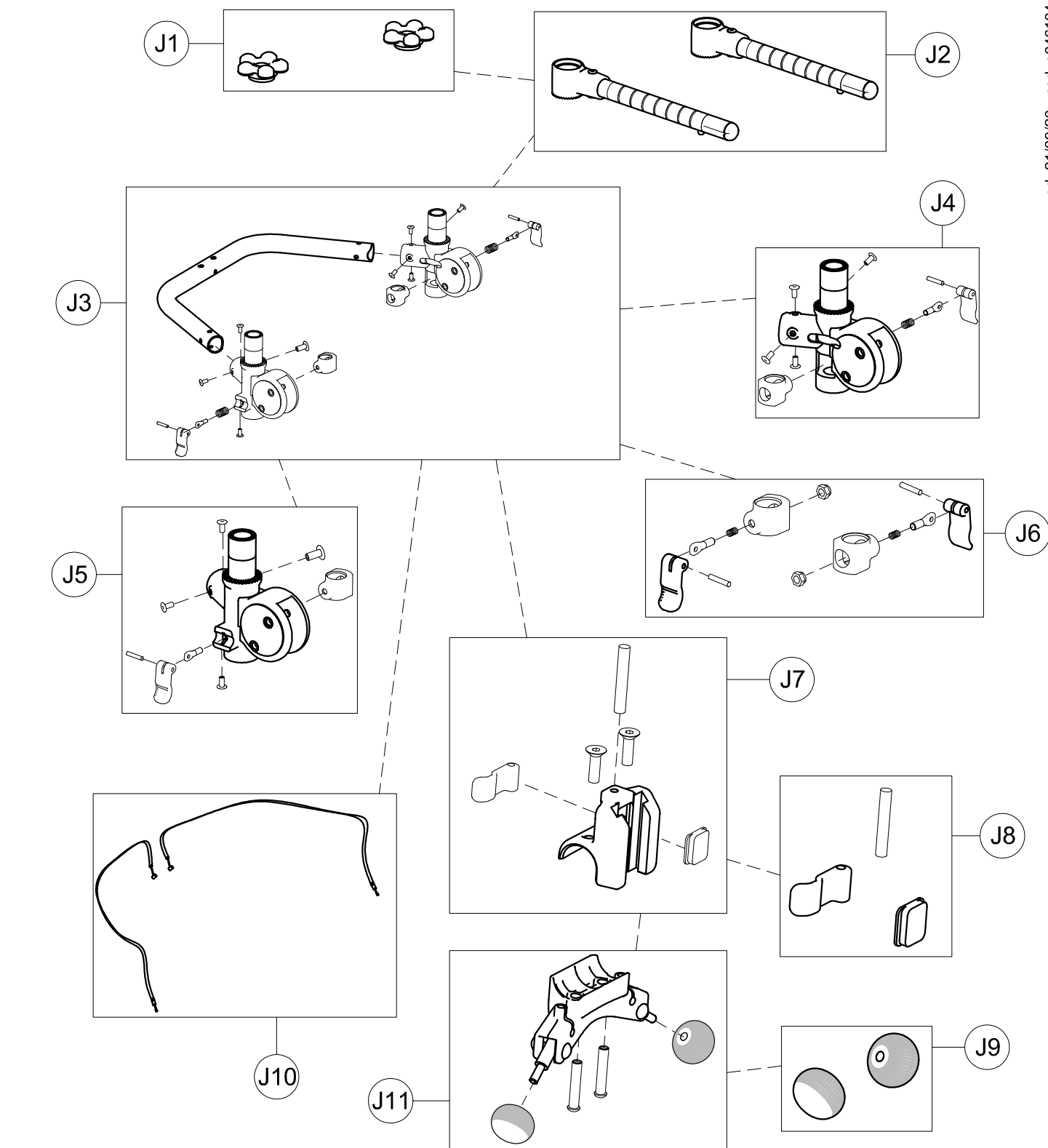


A	103640	925-Medium TRUNK SUPPORT
B	103636	924-Medium PELVIC SUPPORT
C	103632	930-Medium PELVIC HARNESS
D	103613	809 Medium ARM SUPPORT
G	102809	890-C Medium LEG DIVIDER+ABDUCTOR
H	302450	RIGHT-LEFT SUPPORTS FOR 809
J	303218	FRAME OF POSTERIOR GRILLO-M
K	102779	918 medium(3-4) FOLDING SEAT
L	102793	919 medium(3-4) LUMBAR SUPPORT
M	103588	927 REMOVABLE GRIP HANDLES
N	103656	928 Medium REAR WHEELS NARROW BASE
P	103603	815 Medium SADDLE
Q	103581	923 PUSH HANDLEBAR FOR CARE GIVERS
R	105605	810 Medium PAIR OF WEIGHT BARS
S	102812	890-SC Medium LEG DIVIDER
T	102970	939 ERGONOMIC HANDLES
V	103616	943-Medium ARM STRAPS

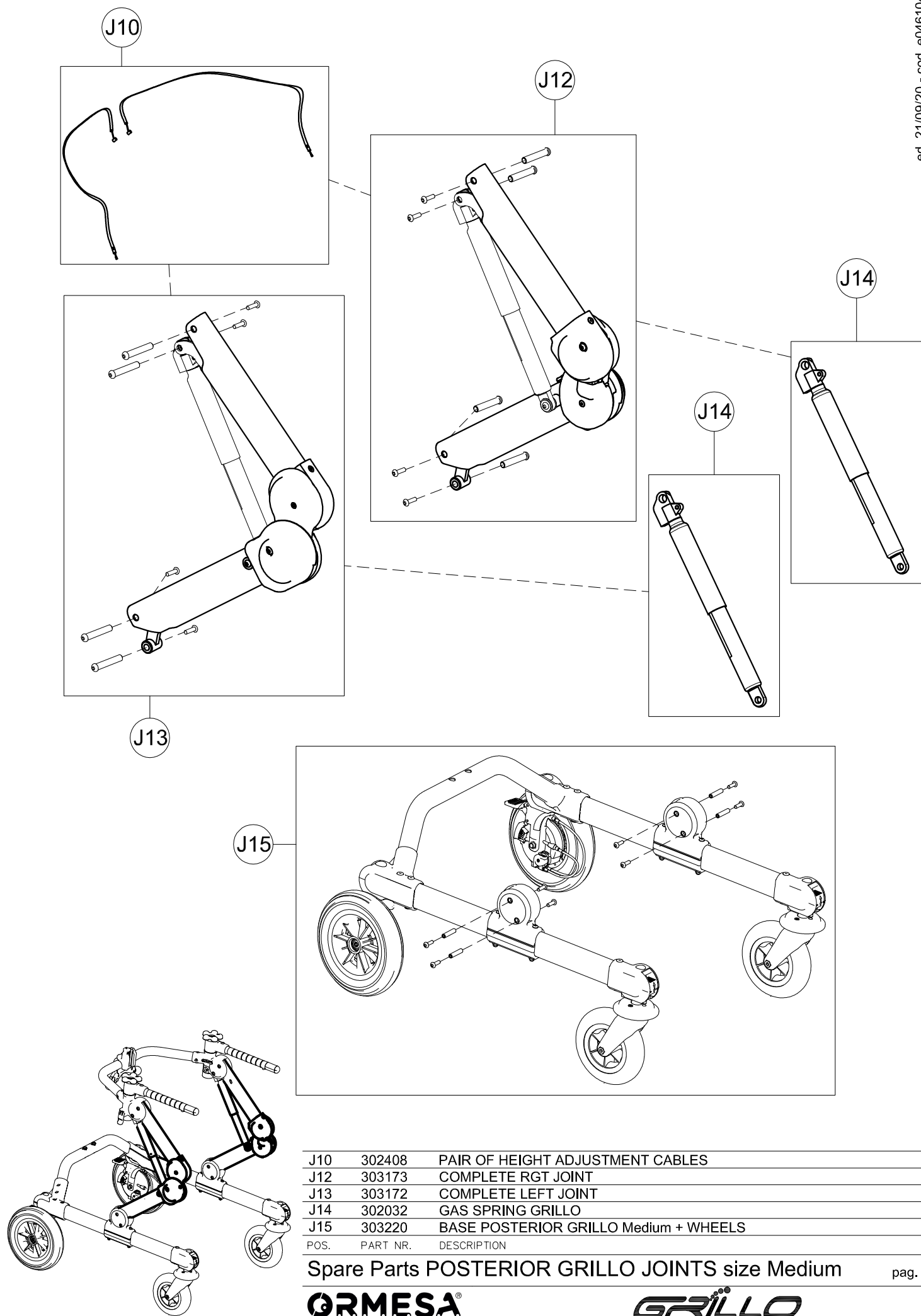
POS. PART NR. DESCRIPTION

Spare Parts POSTERIOR GRILLO size Medium



J1	301797	PAIR OF KNOBS TO FIX HORIZONT.SUPPORT
J2	302284	PAIR OF HORIZONTAL BARS
J3	303205	UPPER CROSSPIECE SUPPORT+LOCKING LEVERS
J4	302286	RIGHT UPPER CROSSPIECE SUPPORT+LOCKING LEVER
J5	302287	LEFT UPPER CROSSPIECE SUPPORT+LOCKING LEVER
J6	302288	SET OF LEVERS TO LOCK TRUNK SUPPORT VERTICALLY
J7	302268	UPPER PELVIC BLOCK FIXING
J8	301806	SET OF LEVER TO LOCK PELVIC SUPPORT VERTICALLY
J9	301808	PAIR OF KNOBS FOR GAS SPRING
J10	302408	PAIR OF HEIGHT ADJUST.CABLES
J11	302823	OPERATING LEVER SUPPORT
POS.	PART NR.	DESCRIPTION

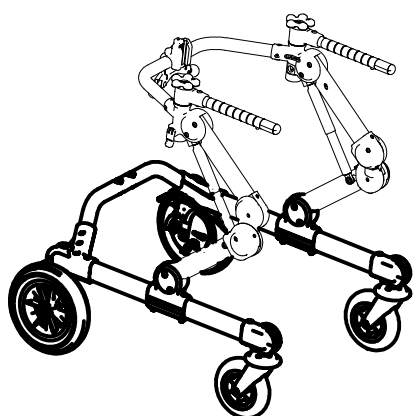
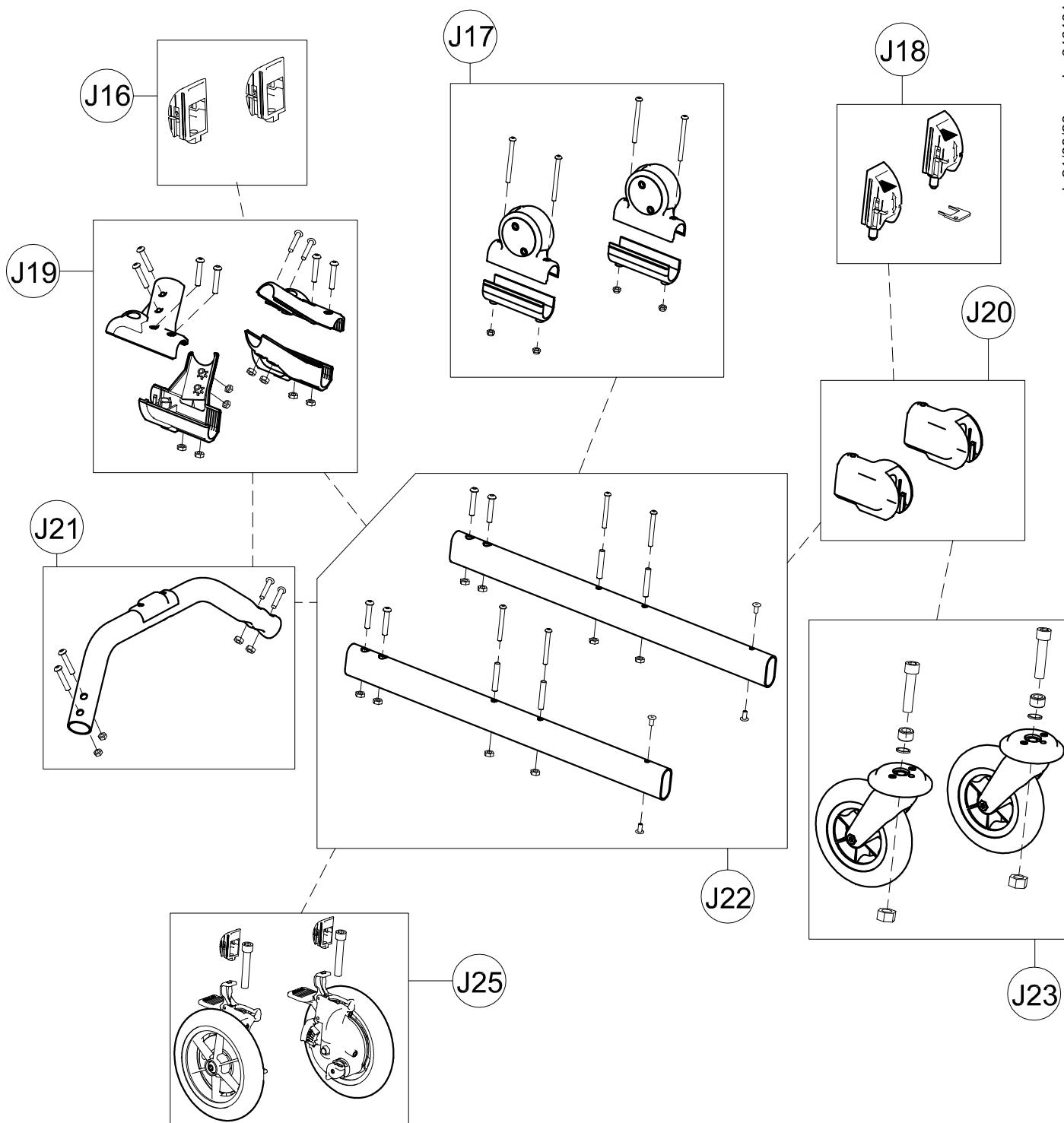
Spare Parts UPPER PART OF POSTERIOR GRILLO BASE size medium(3-4)



J10	302408	PAIR OF HEIGHT ADJUSTMENT CABLES
J12	303173	COMPLETE RGT JOINT
J13	303172	COMPLETE LEFT JOINT
J14	302032	GAS SPRING GRILLO
J15	303220	BASE POSTERIOR GRILLO Medium + WHEELS
POS.	PART NR.	DESCRIPTION

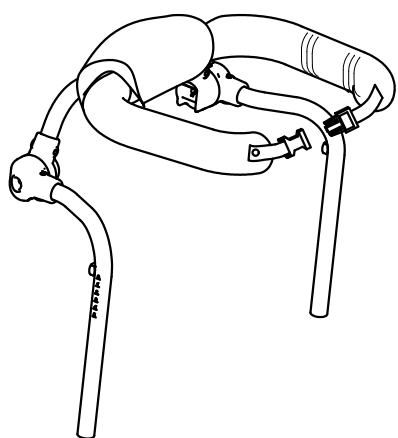
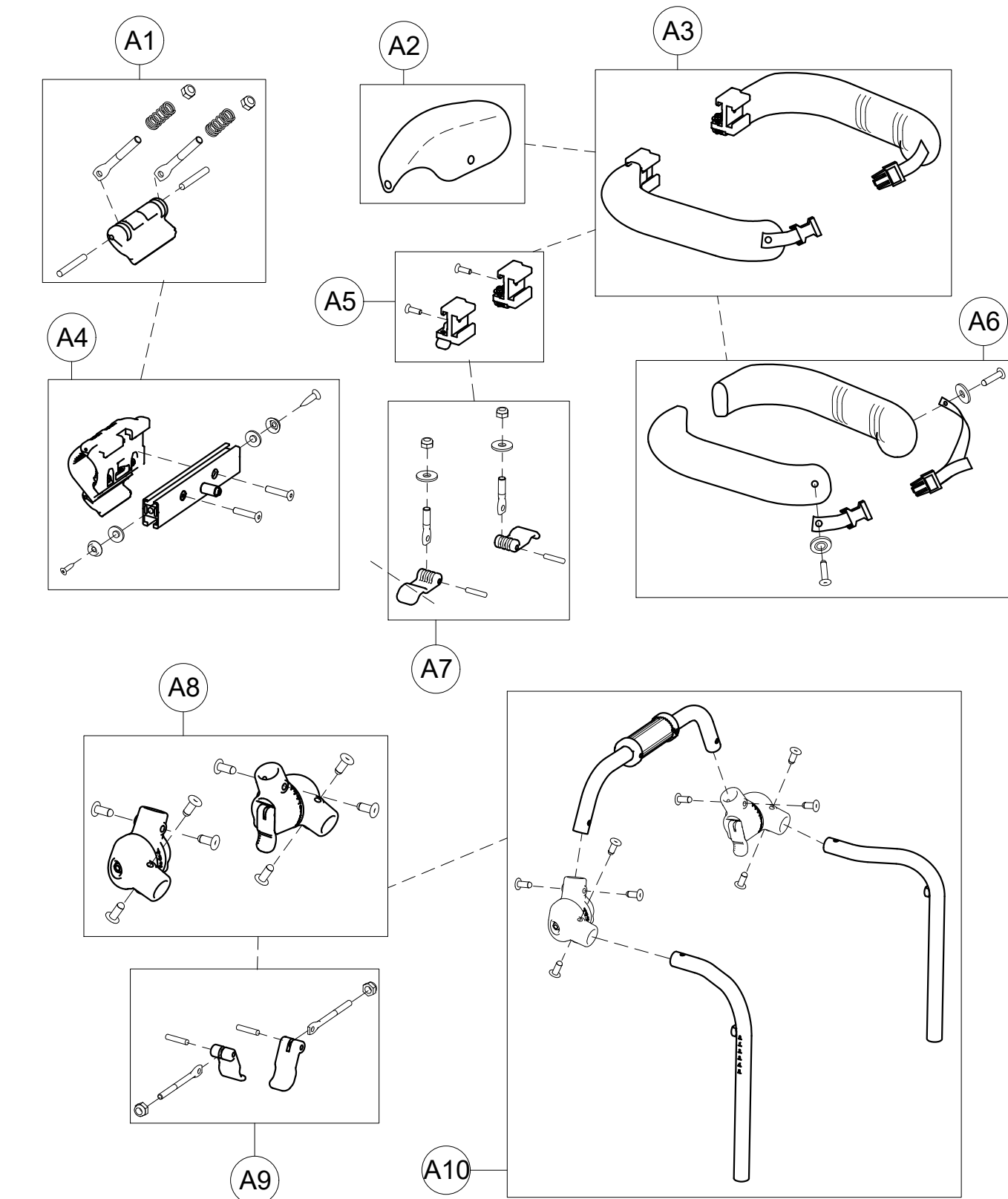
Spare Parts POSTERIOR GRILLO JOINTS size Medium





J16	303508	PAIR OF DIRECT.CAPS FOR WHEELS
J17	301812	PAIR OF UPPER/LOWER SUPPORTS OF SIDE
J18	302546	PAIR OF DIRECTION LOCKS
J19	303211	KIT OF LOWER CROSSPIECE SUPPORT
J20	303208	PAIR OF WHEEL SUPPORTS
J21	303214	LOWER CROSSPIECE+SCREWS
J22	303210	PAIR OF BASE SIDES
J23	303387	PAIR OF COMPLETE FRONT WHEELS
J25	303476	PAIR OF COMPLETE REAR WHEELS
POS.	PART NR.	DESCRIPTION

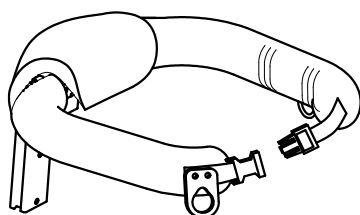
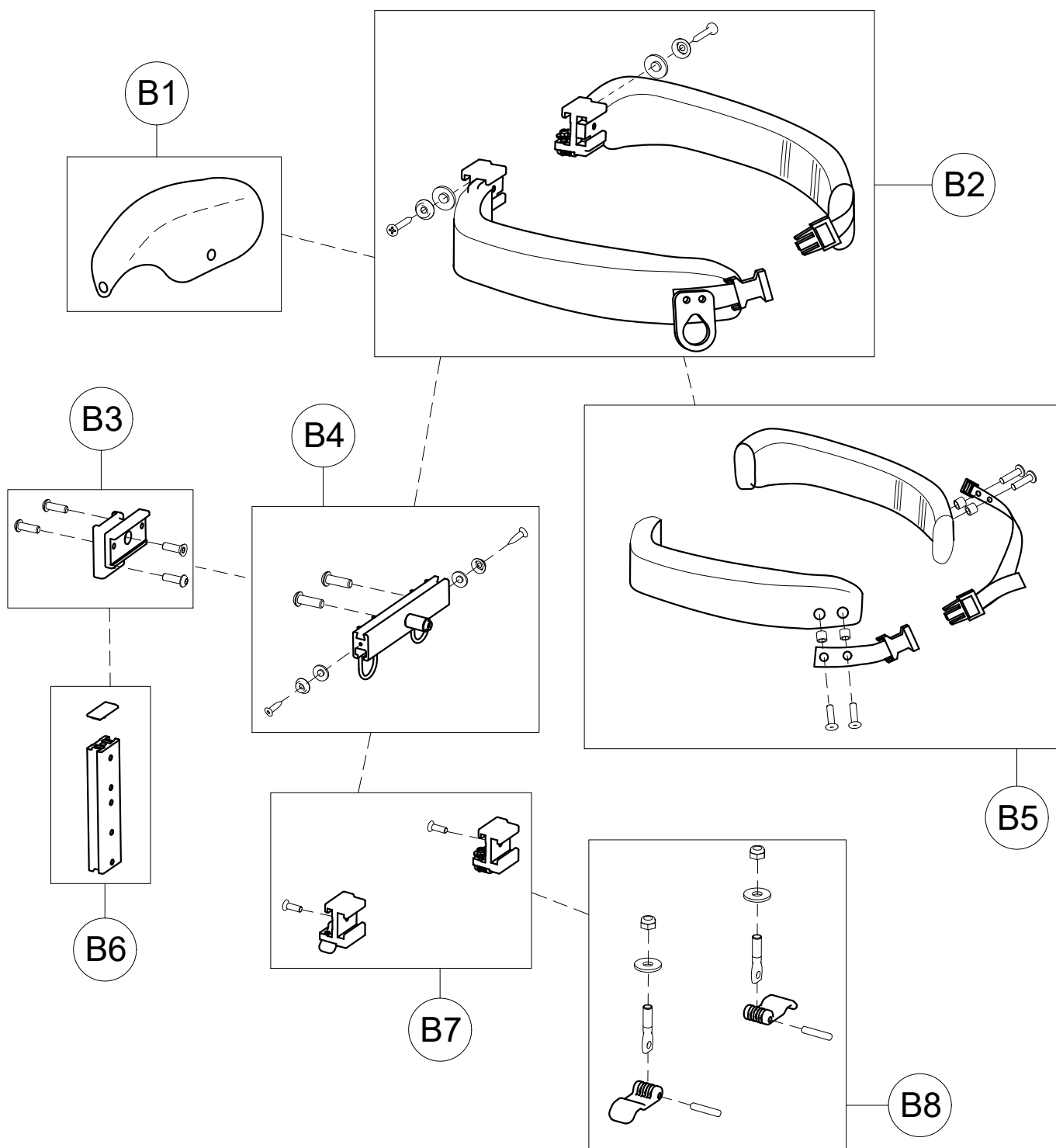
Spare Parts LOWER PART OF POSTERIOR
GRILLO BASE size Medium



A1	301832	SET OF CLAMPING LEVER TO ROTATE TRUNK SUPPORT
A2	160571P	CENTRAL PADDING
A3	303192	PAIR OF TRUNK HALF SUPPORT
A4	302222	EXTERNAL ROTATION SUPPORT + WIDTH ADJUSTMENT
A5	302298	PAIR OF PROFILE TO SLIDE TRUNK/PELVIC SUPPORT
A6	303222	PAIR OF TRUNK PADDING + STRAPS AND RIVETS
A7	301842	SET OF LEVERS FOR TRUNK SUPPORT WIDTH
A8	303223	PAIR OF TRUNK SUPPORT JOINTS
A9	301843	SET OF TRUNK SUPPORT JOINT LEVERS
A10	303411	FRAME+JOINTS TRUNK SUPPORT

POS. PART NR. DESCRIPTION

Spare Parts TRUNK SUPPORT size Medium



B1	160571P	CENTRAL PADDING
B2	303191	PAIR OF PELVIC HALF SUPPORT
B3	303226	PELVIC SUPPORT +SCREWS
B4	303228	PROFILE TO ADJUST PELVIC SUPPORT IN WIDTH + HOOKS
B5	303230	PAIR OF PELVIC PADDING + STRAPS AND RIVETS
B6	301847	PELVIC SUPPORT HEIGHT ADJUSTMENT
B7	302298	PAIR OF PROFILE TO SLIDE TRUNK/PELVIC SUPPORT
B8	301842	SET OF LEVERS FOR TRUNK SUPPORT WIDTH

POS. PART NR. DESCRIPTION

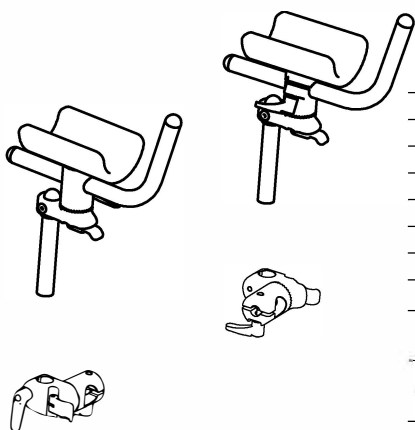
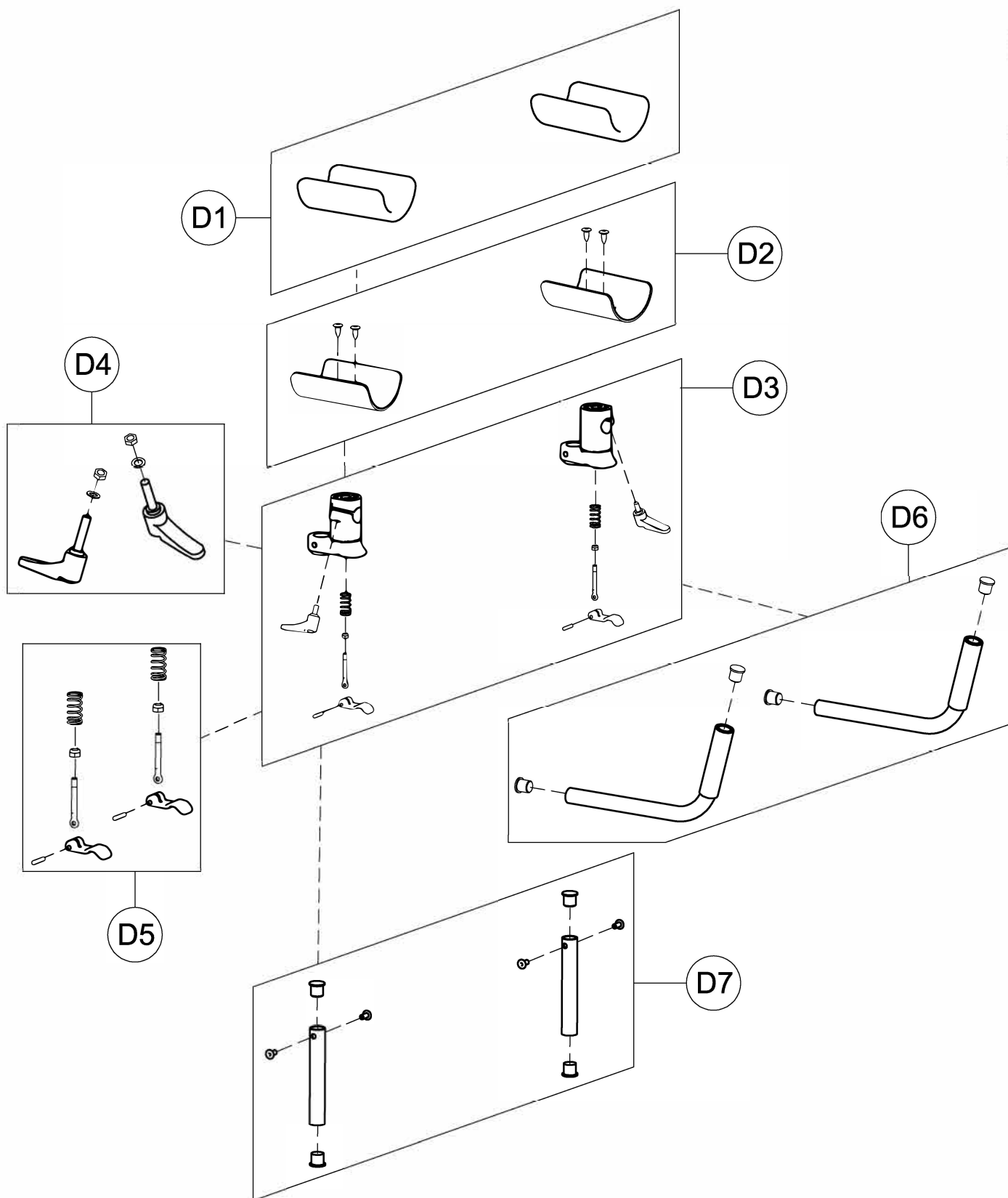
Spare Parts PELVIC SUPPORT size Medium

pag. 6

ORMESA

GRILLO

THIS DRAWING BELONGS TO ORMESA: IT IS FORBIDDEN TO REPRODUCE, CHANGE OR INFORM ANY THIRD PARTY ABOUT ITS CONTENTS



D1	171254	809 medium/large ARM SUPPORT UPHOLSTERY
D2	301850	PAIR OF CURVED PLATE 809 medium/large
D3	301851	PAIR OF LOWER/UPPER TOOTHED SUPPORTS 809
D4	303108	PAIR OF M6X25 LEVERS
D5	301852	SET OF TOOTHED SUPP.LEVERS 809
D6	301853	PAIR OF HANDLEBAR BARS 809
D7	301855	PAIR OF VERT.BARS 809
POS.	CODICE	DESCRIZIONE

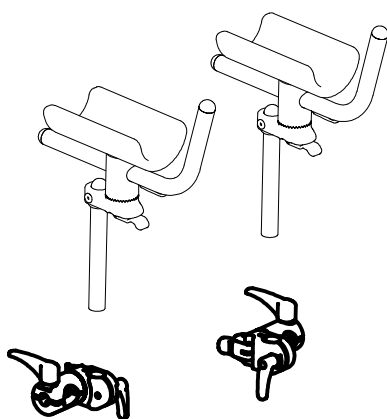
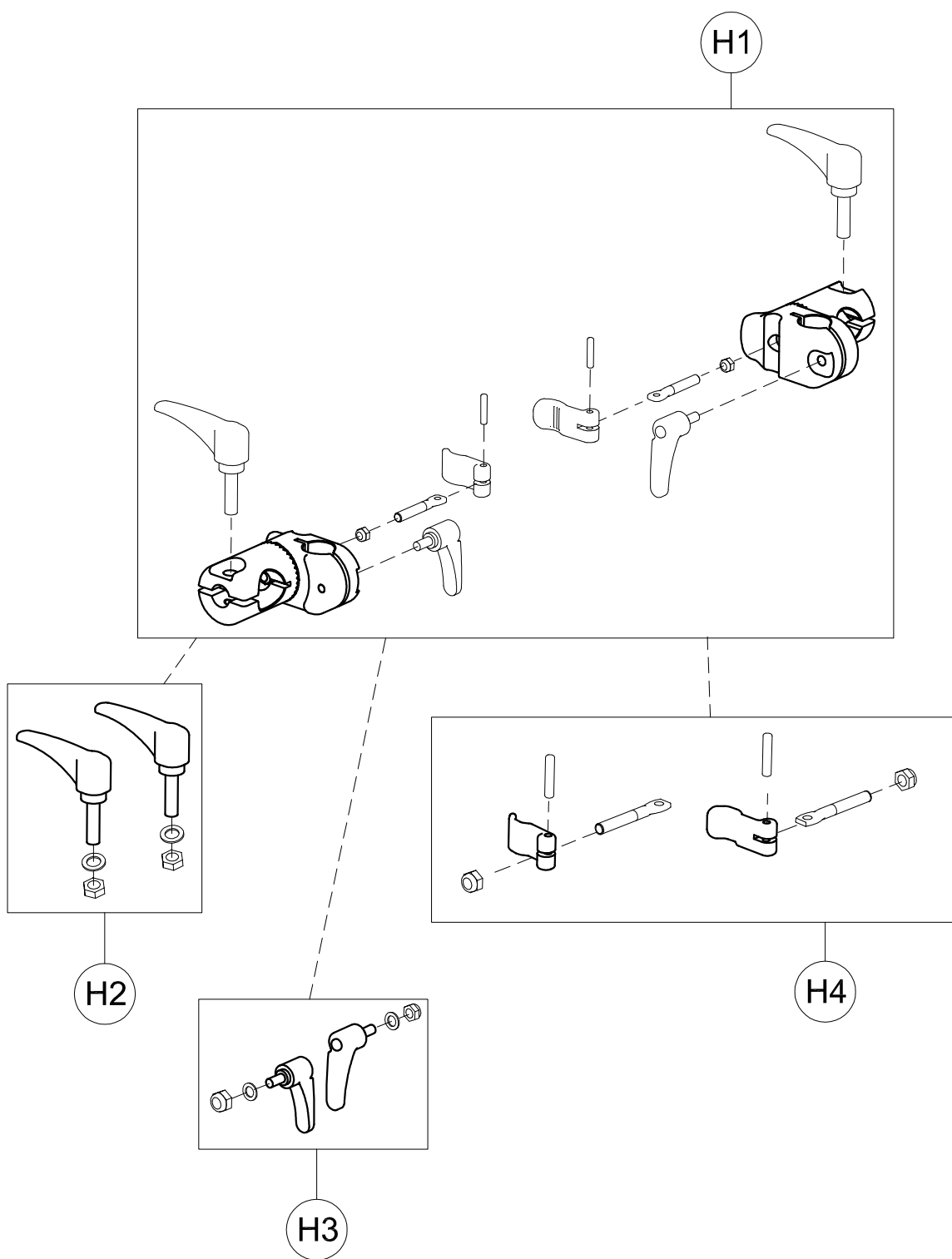
Spare Parts ARM SUPPORTS size Medium and Large

pag.7

ORMESA®

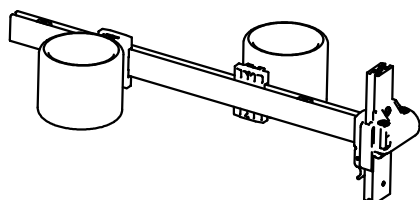
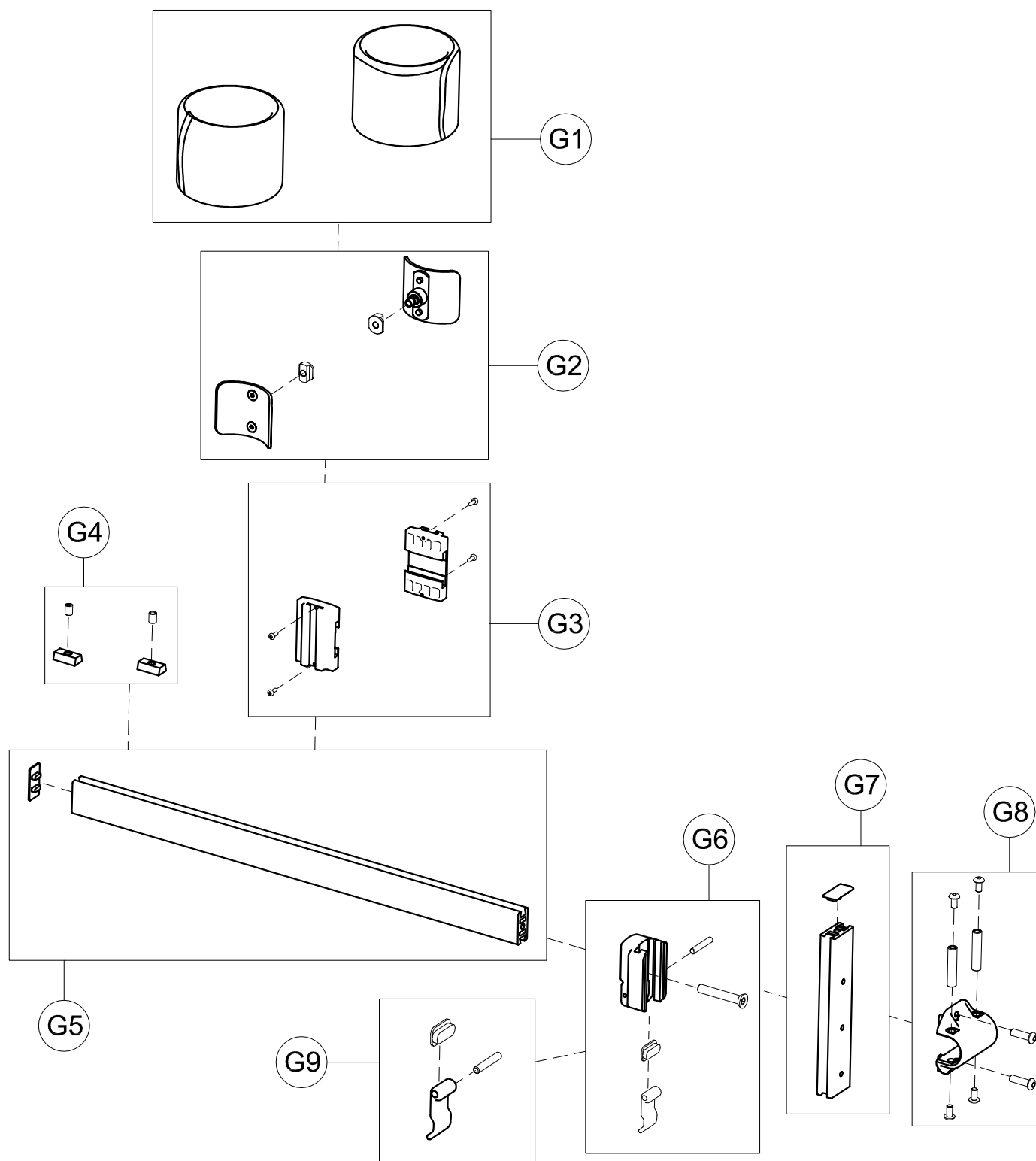
GRILLO

QUESTO DISEGNO È DI PROPRIETÀ ORMESA: È VIETATO RIPRODURNE, MODIFICARNE O COMUNICARNE A TERZI IL CONTENUTO



H1	302450	RGT-LEFT SUPPORTS OF 809 GRILLO
H2	301799	PAIR OF M8X35 HANDLES
H3	301800	PAIR OF M6X30 HANDLES
H4	301801	SET OF LEVERS TO LOCK THE HANDLEBAR VERTICALLY
POS.	PART NR.	DESCRIPTION

Spare Parts **ARM SUPPORT JOINT FOR POSTERIOR GRILLO**
size Small, Medium and Large



G1	171255	890 Medium UPHOLSTERY
G2	301857	PAIR OF CURVED PLATE 890
G3	301858	PAIR OF ABDUCTORS SLIDING PROFILE
G4	301859	PAIR OF ABDUCTORS 890 STOP
G5	301861	HORIZ.BAR 890 Medium+CAP
G6	301862	890 FIXING BAR +LEVER/SCREWS
G7	303232	890 VERT.BAR+CAP
G8	303233	FIXING LOCK 890 + SCREWS
G9	301866	SET OF HEIGHT ADJUSTMENT LEVER 890 GRILLO
POS.	PART NR.	DESCRIPTION

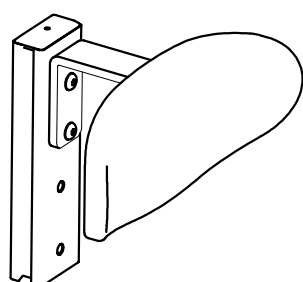
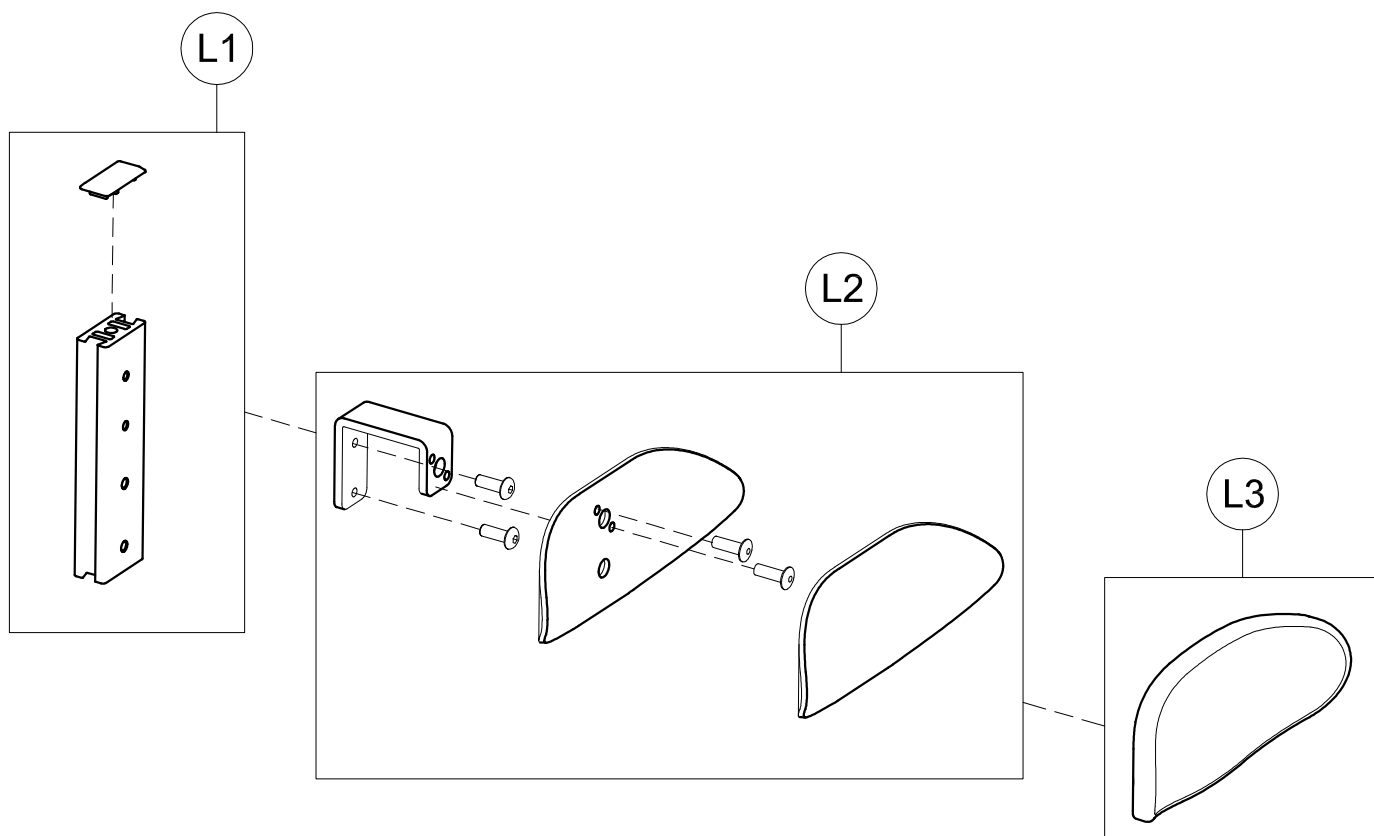
Spare Parts LEG DIVIDER+ABDUCTORS size Medium

pag. 9

ORMESA®

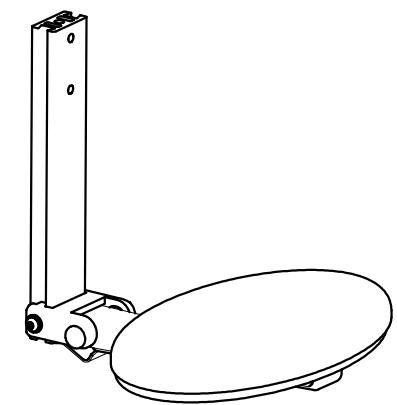
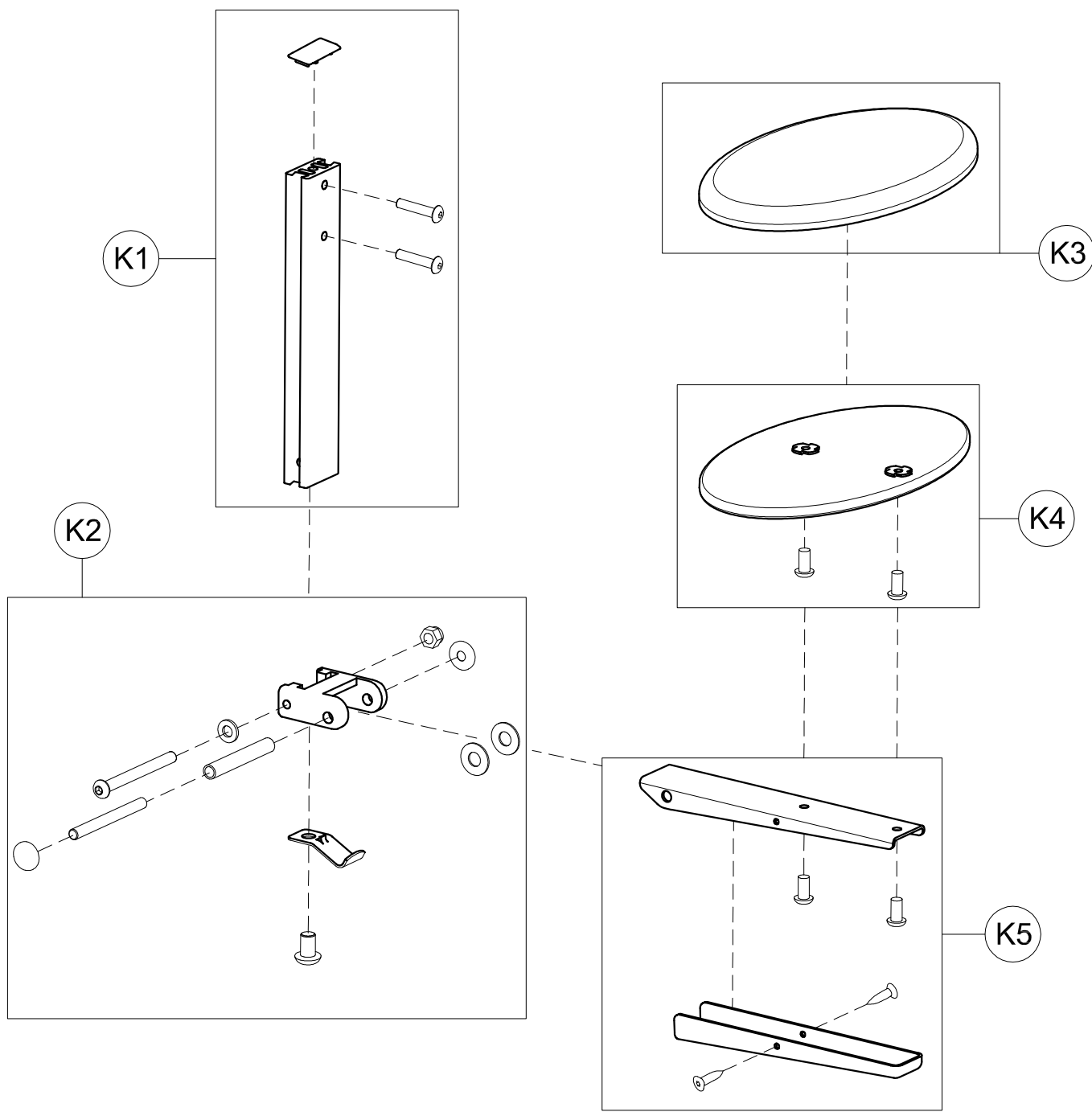
GRILLO

THIS DRAWING BELONGS TO ORMESA: IT IS FORBIDDEN TO REPRODUCE, CHANGE OR INFORM ANY THIRD PARTY ABOUT ITS CONTENTS



L1	301869	LUMBAR SUPPORT VERTICAL BAR+CAP
L2	301870	PLATE+LUMBAR SUPPORT CONNECTION
L3	171187	BACK SUPPORT UPHOLSTERY
POS.	PART NR.	DESCRIPTION

Spare Parts LUMBAR SUPPORT size Medium



K1	301872	SEAT VERTICAL BAR+CAP
K2	301873	SEAT FORK+SPRING
K3	171279	SEAT COVER FOR 918 Medium
K4	301875	WOOD SEAT WITH SCREWS+SPIDERS
K5	301876	SEAT SUPPORT + COVER
POS.	PART NR.	DESCRIPTION

Spare Parts FOLDING SEAT size Medium