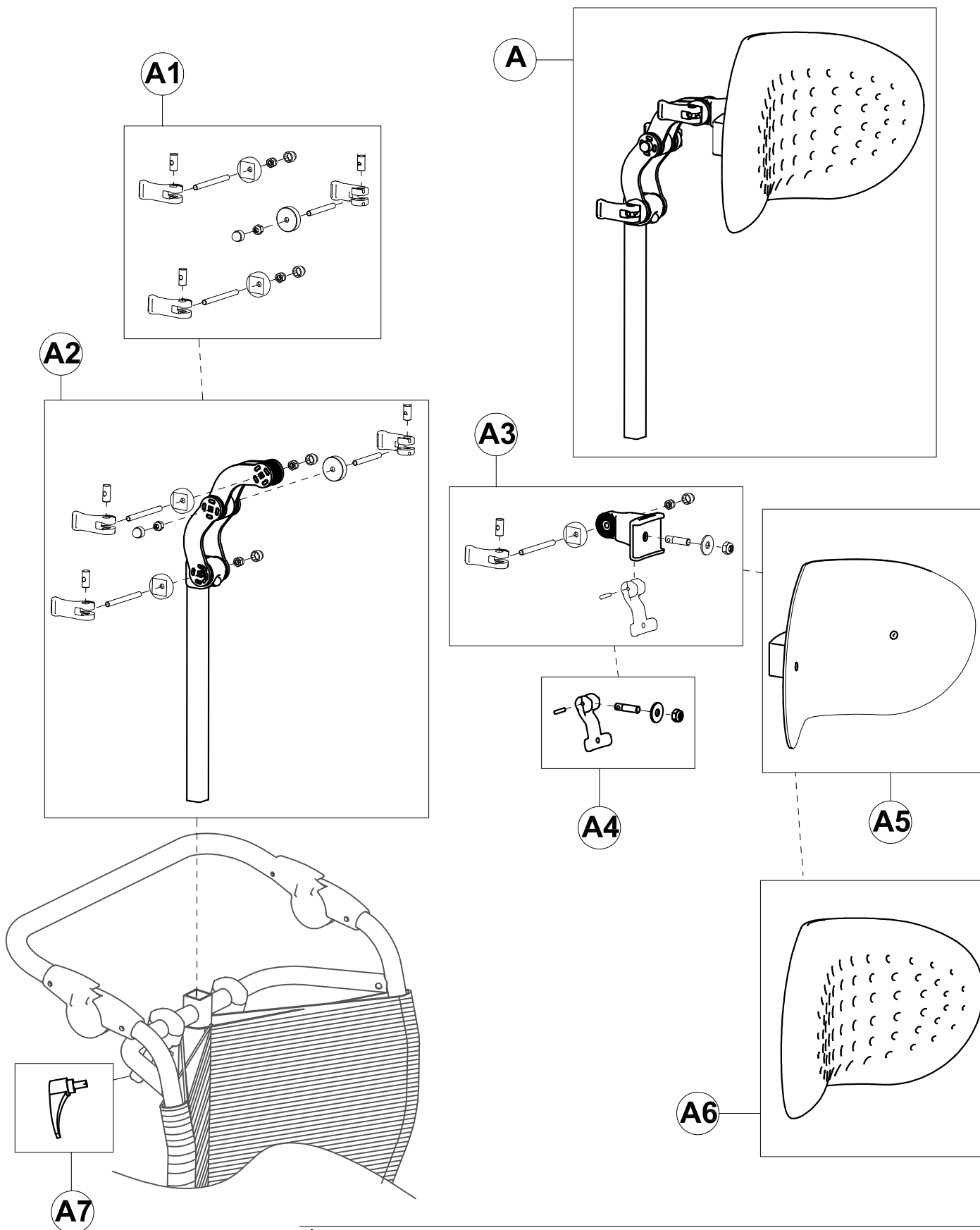


A	302970	COMPLETE HEADREST	
B	303130	COMPLETE BACKREST size-45 (WHITE)	/ 303130N (BLACK)
C	302530	LEFT SIDE AND ARM SUPPORT (WHITE)	/ 302530N (BLACK)
D	302529	RIGHT SIDE AND ARM SUPPORT (WHITE)	/ 302529N (BLACK)
E	302532	COMPLETE SEAT size-45 (WHITE)	/ 302532N (BLACK)
F	302523	LEFT LEGREST size-45	
G	302522	RIGHT LEGREST size-45	
I	302519	BASE WITH WHEELS size-45 B12 (WHITE)	/ 302519N (BLACK)
K	171656	LIGHT GREY UPHOLSTERY SIZE-45	
	171654	DARK GREY UPHOLSTERY SIZE 45	

POS. PART NR. DESCRIPTION PART NR for BLACK JUDITTA

Spare Parts JUDITTA B12 size 45





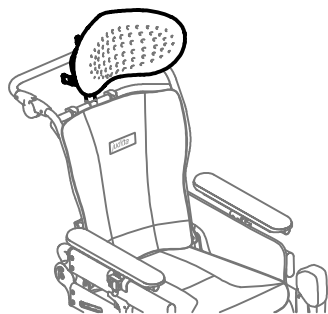
A	302970	COMPLETE HEADREST
A1	303257	HEADREST KNOB + JOINT SCREW
A2	303258	HEADREST VERTICAL FRAME WITH JOINT
A3	303259	HEADREST JOINT ATTACK WITH LEVER
A4	303260	HEADREST SLIDING LEVER
A5	302609	HEADREST SHEET METALE
A6	16486	HEADREST ANTIBACTERIAL COATING
A7	14066	ADJUSTABLE HANDLE
POS.	PART NR.	DESCRIPTION

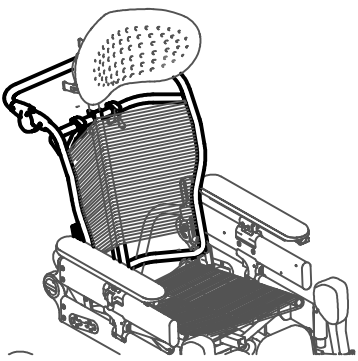
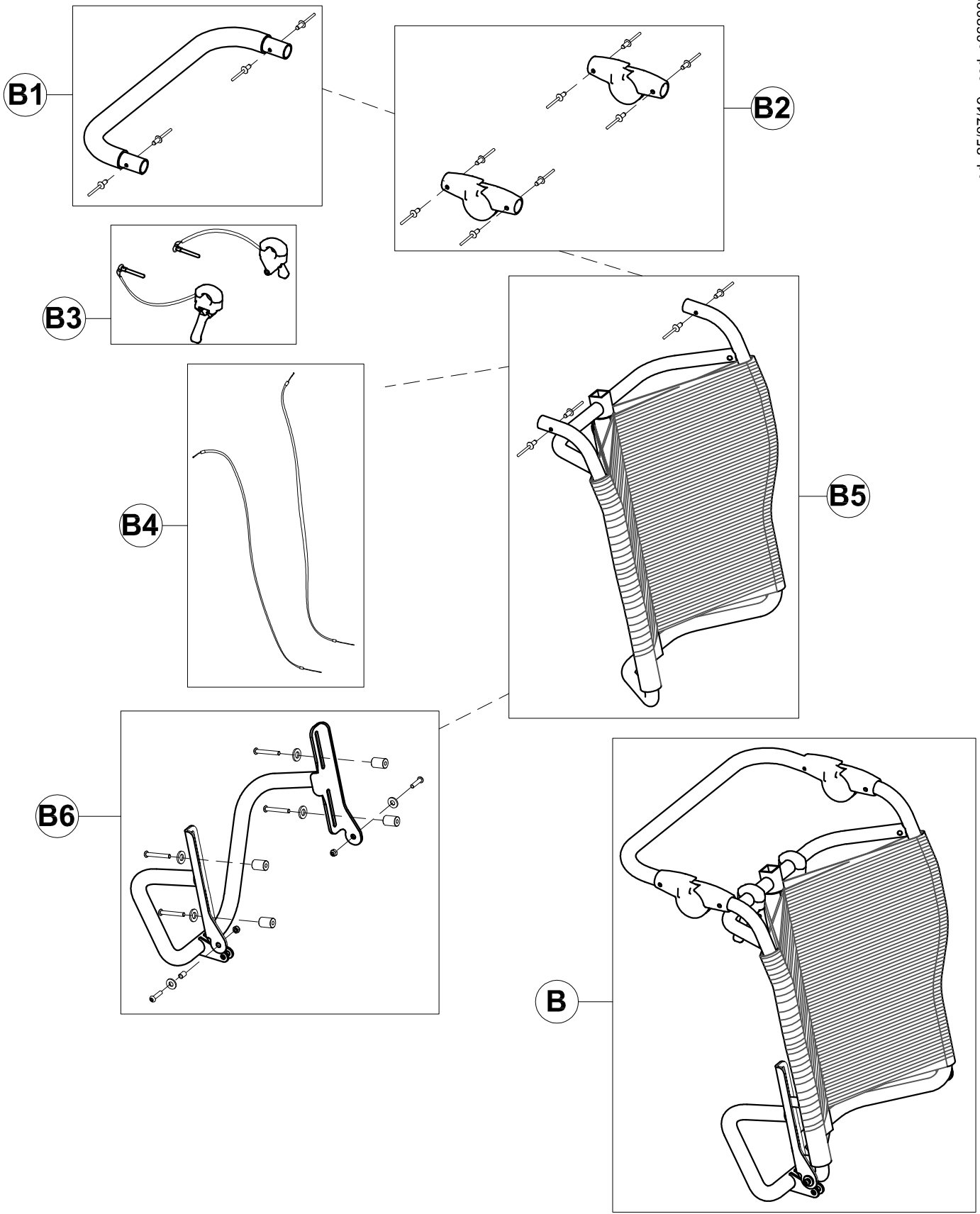
Spare Parts HEADREST

ORMEDA

THIS DRAWING BELONGS TO ORMESA: IT IS FORBIDDEN TO REPRODUCE, CHANGE OR INFORM ANY THIRD PARTY ABOUT ITS CONTENTS

Juditta

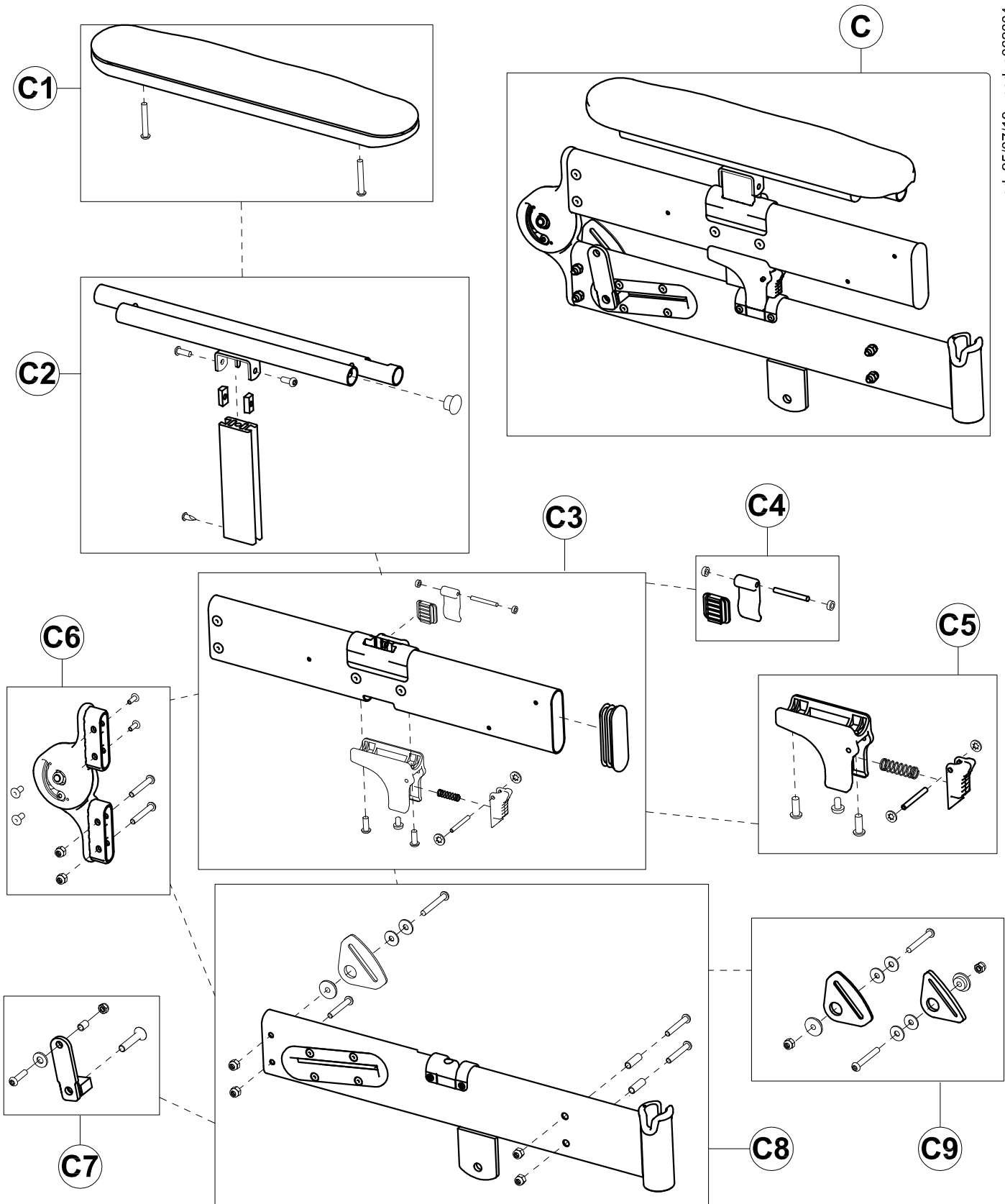




B	303130	COMPLETE BACKREST size-45 (WHITE)	/ 303130N (BLACK)
B1	302551	COMPLETE PUSH HANDLE size-45	
B2	302553	PAIR OF PUSH HANDLE JOINTS WITH RIVET	
B3	302616	PAIR OF CONTROL LEVERS	
B4	302617	PAIR OF CONTROL CABLES	
B5	303127	BACKREST FRAME +ROPE size-45	/ 303127N (BLACK)
B6	302555	BACKREST SLIDING FRAME size-45	
POS.	PART NR.	DESCRIPTION	PART NR for BLACK JUDITTA

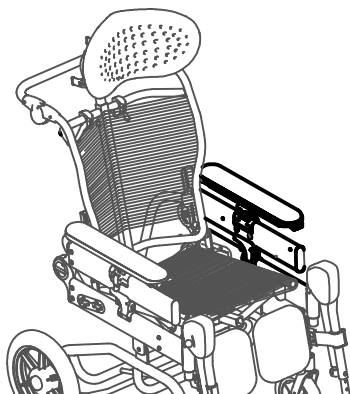
Spare Parts BACKREST size-45

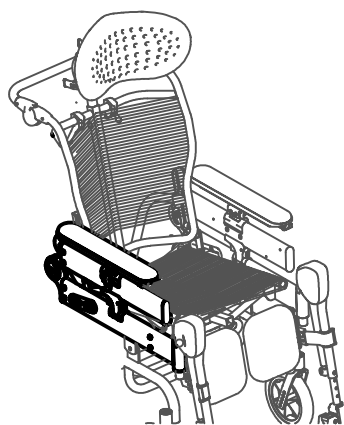
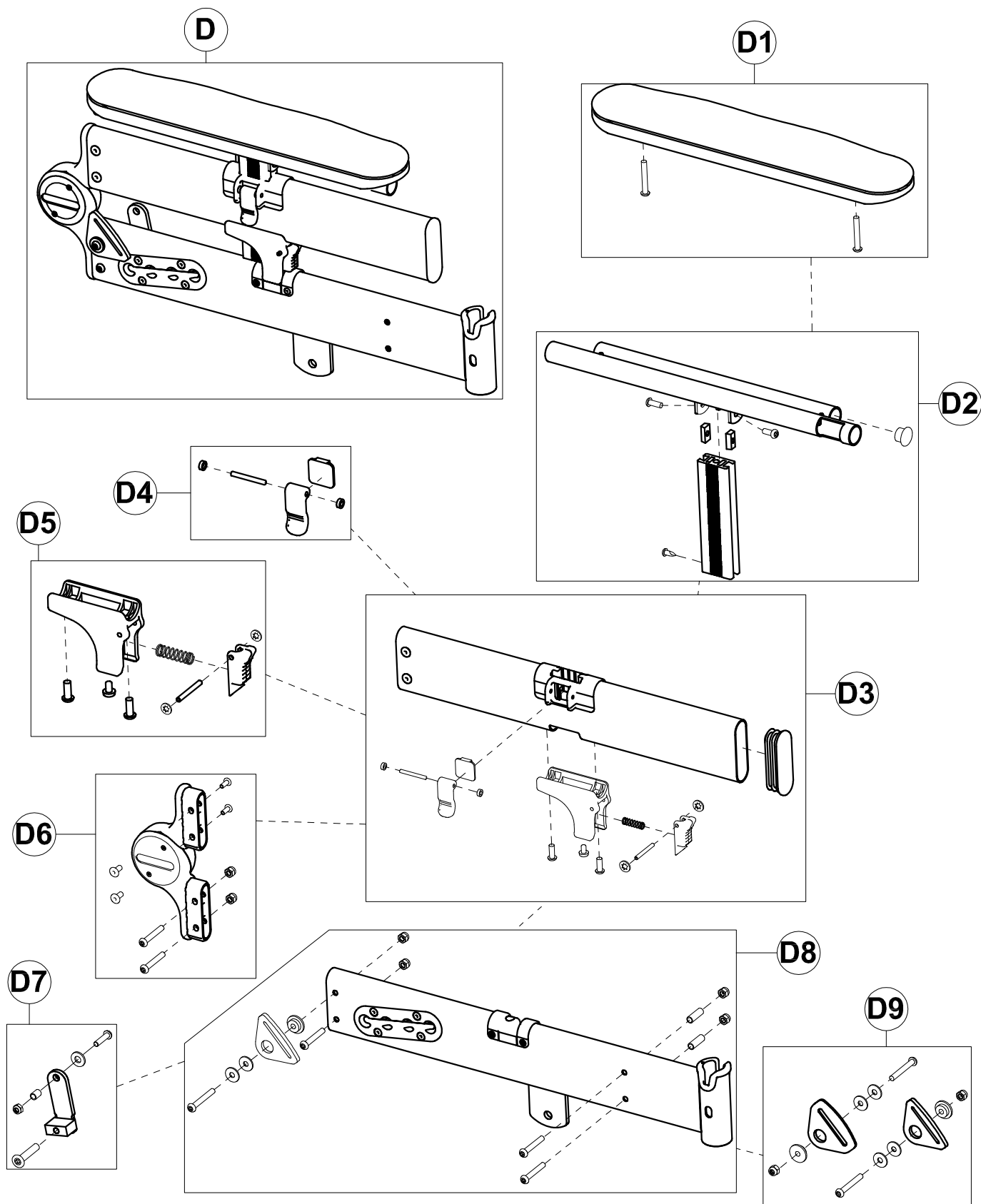




C	302530	LEFT SIDE AND ARM SUPPORT (WHITE)	/ 302530N (BLACK)
C1	301124	PADDED ARM SUPPORT + SCREWS	
C2	302558	COMPLETE LEFT ARM SUPPORT FRAME	
C3	302560	COMPL. UPPER LEFT SIDE SUPPORT (WHITE)	/ 302560N (BLACK)
C4	302562	ARM LOCKING LEVER KIT	
C5	302563	UPPER SIDE LOCKING LEVER KIT	
C6	302564	COMPLETE LEFT SIDES HINGE	
C7	302566	HINGE PLATE /BACKREST CURSOR	
C8	302567	COMPL. LOWER LEFT SIDE SUPPORT (WHITE)	/ 302567N (BLACK)
C9	302850	PAIR OF BUCKLES OF THE 45°PELVIC HARNESS	
POS.	PART NR.	DESCRIPTION	PART NR for BLACK JUDITTA

Spare Parts LEFT SIDE and ARM SUPPORT





D	302529	RIGHT SIDE AND ARM SUPPORT (WHITE)	/ 302529N (BLACK)
D1	301124	PADDED ARM SUPPORT + SCREWS	
D2	302559	COMPLETE RIGHT ARM SUPPORT FRAME	
D3	302561	COMPL. UPPER RIGHT SIDE SUPPORT (WHITE)	/ 302561N (BLACK)
D4	302562	ARM LOCKING LEVER KIT	
D5	302563	UPPER SIDE LOCKING LEVER KIT	
D6	302565	COMPLETE RIGHT SIDES HINGE	
D7	302566	HINGE PLATE /BACKREST CURSOR	
D8	302568	COMPL. LOWER RIGHT SIDE SUPPORT (WHITE)	/ 302568N (BLACK)
D9	302850	PAIR OF BUCKLES OF THE 45° PELVIC HARNESS	

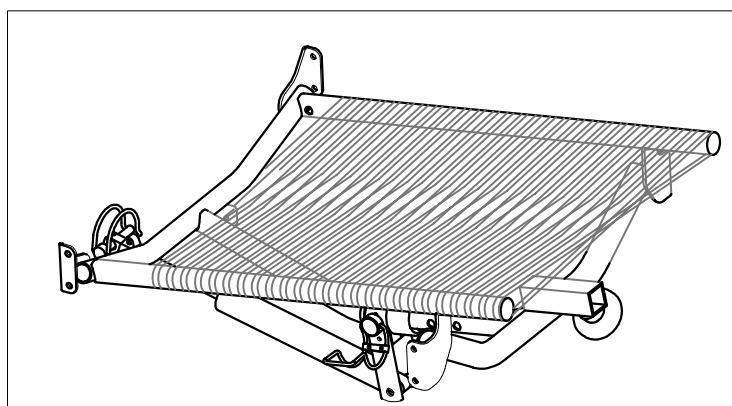
POS. PART NR. DESCRIPTION PART NR for BLACK JUDITTA

Spare Parts RIGHT SIDE and ARM SUPPORT

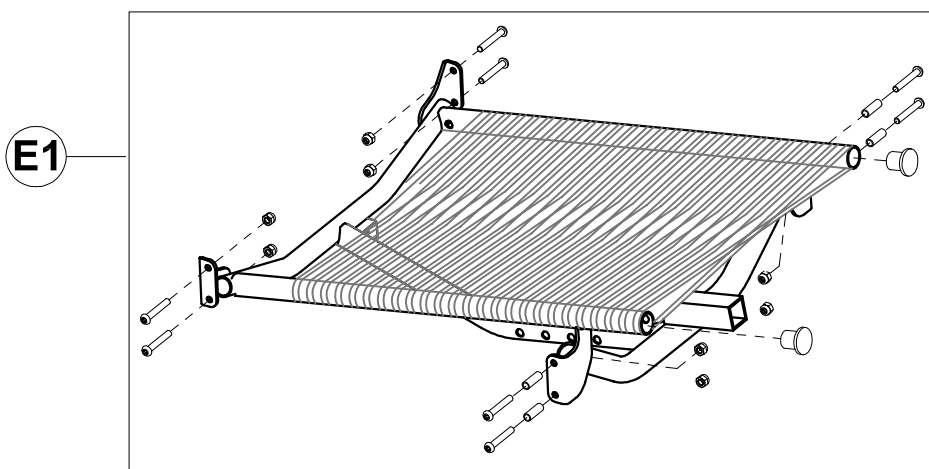
pag. 5

ORMESA

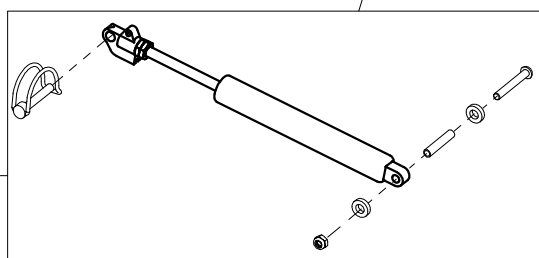
Juditta



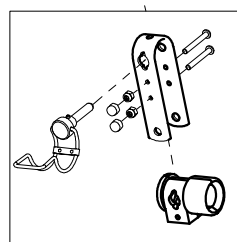
E



E1



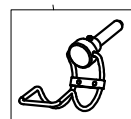
E2



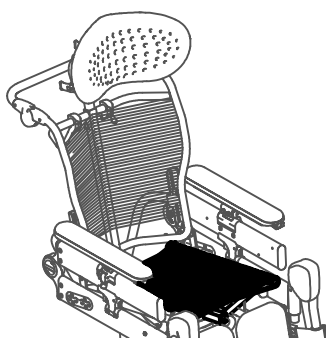
E3



E4

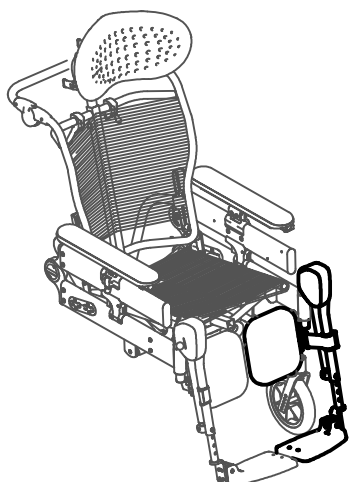
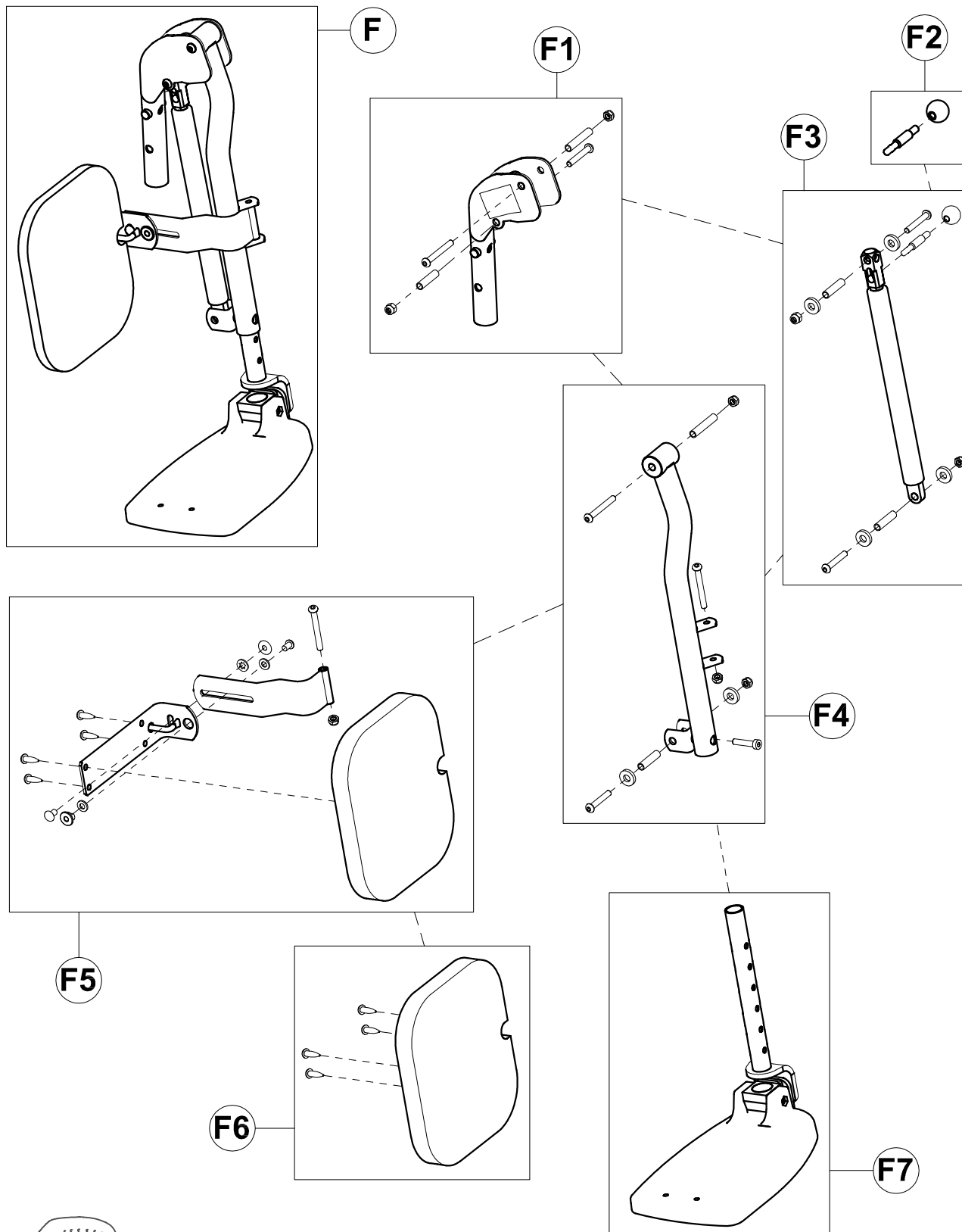


E5



E	302532	COMPLETE SEAT size-45 (WHITE)	/ 302532N (BLACK)
E1	302739	SEAT FRAME +ROPE size-45	/ 302742N (BLACK)
E2	302569	BACKREST GAS SPRING + SCREWS	
E3	302570	GAS SPRING SLIDING FORK	
E4	20761	GAS SPRING SAFETY PIN	
E5	302482	GAS SPRING ADJUSTING PIN	
POS.	PART NR.	DESCRIPTION	PART NR for BLACK JUDITTA

Spare Parts SEAT size 45



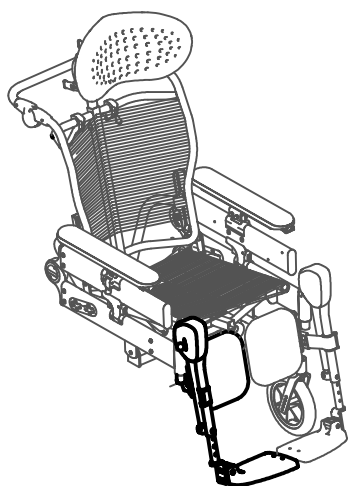
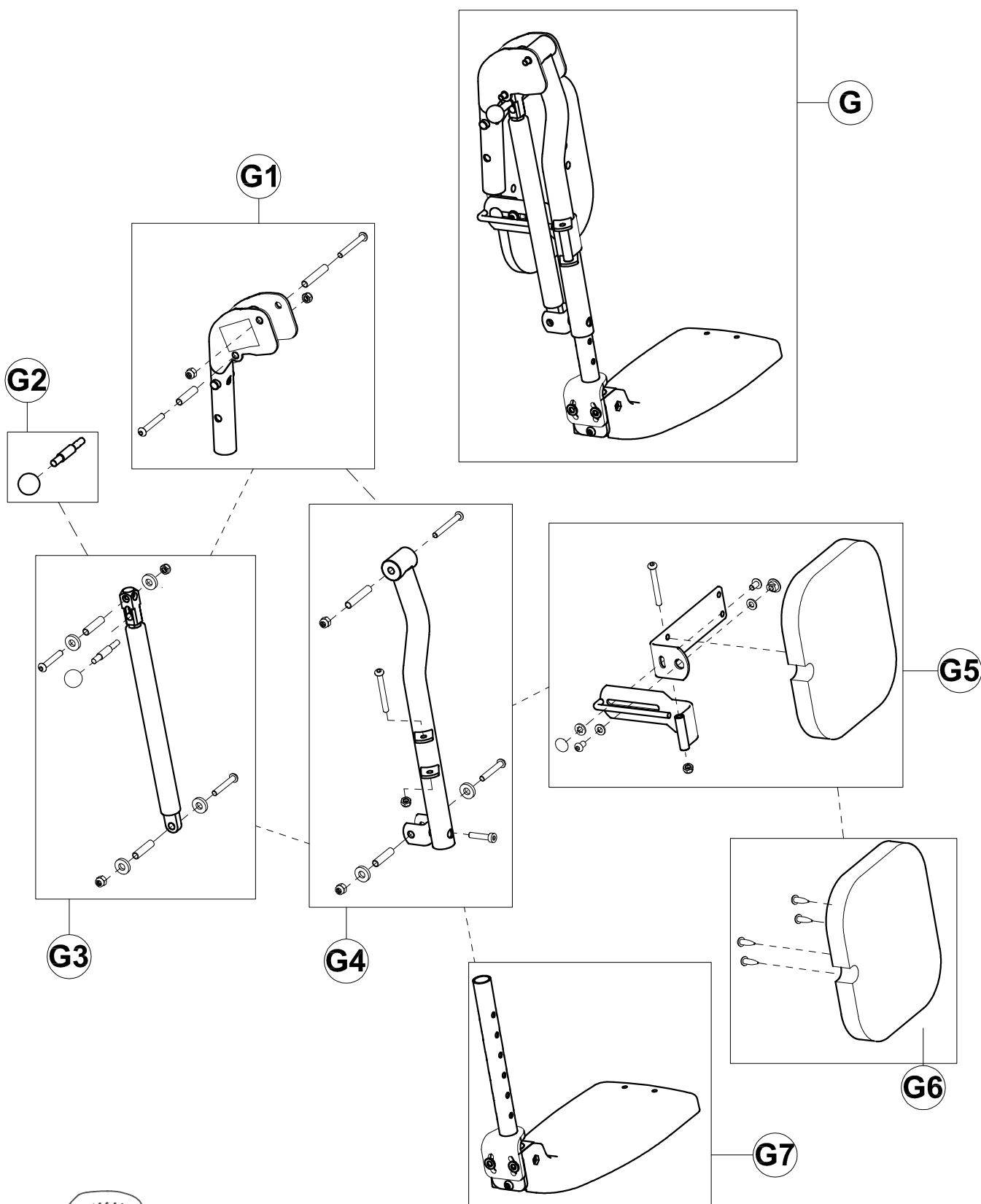
F	302523	LEFT LEGREST size-45
F1	302572	LEGREST JOINT
F2	302573	KNOB+LEVER for LEGREST GAS SPRING
F3	302578	LEGREST GAS SPRING + SCREWS
F4	302574	LEFT LEGREST FRAME + SCREWS
F5	302576S	LEFT CALFREST+ FRAME size-45
F6	302580S	LEFT CALFREST (UPHOLSTERY+ SCREWS) size-45
F7	302584	LEFT FOOTREST+ VERTICAL BAR size-45
POS.	PART NR.	DESCRIPTION

Spare Parts LEFT LEGREST size-45

ORMEDA

THIS DRAWING BELONGS TO ORMESA: IT IS FORBIDDEN TO REPRODUCE, CHANGE OR INFORM ANY THIRD PARTY ABOUT ITS CONTENTS

Juditta



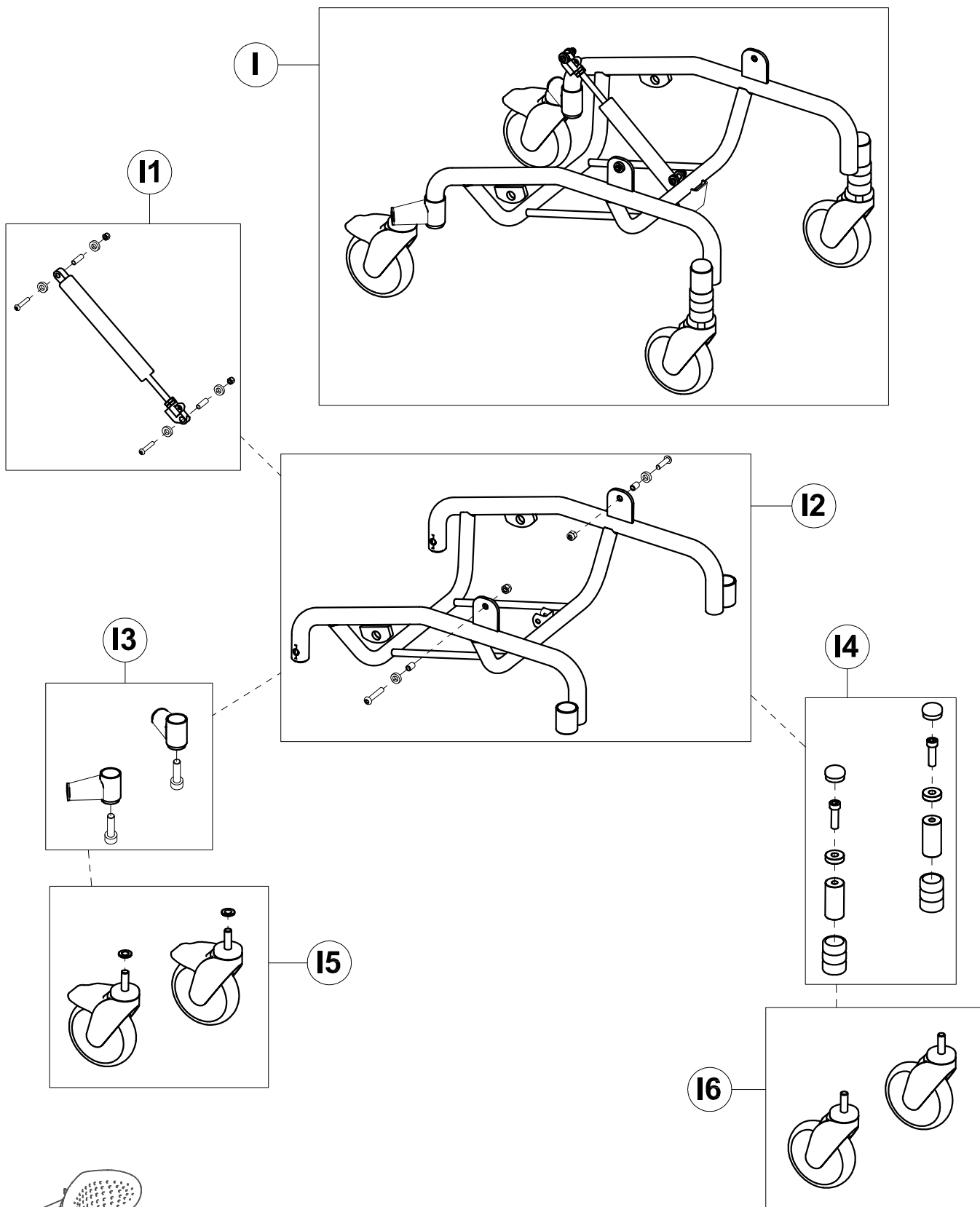
G	302522	RIGHT LEGREST size-45
G1	302572	LEGREST JOINT
G2	302573	KNOB+LEVER for LEGREST GAS SPRING
G3	302578	LEGREST GAS SPRING + SCREWS
G4	302588	RIGHT LEGREST FRAME + SCREWS
G5	302576	RIGHT CALFREST+ FRAME size-45
G6	302580	RIGHT CALFREST (UPHOLSTERY+ SCREWS) size-45
G7	302585	RIGHT FOOTREST+ VERTICAL BAR size-45
POS.	PART NR.	DESCRIPTION

Spare Parts RIGHT LEGREST size-45

ORMEDA

THIS DRAWING BELONGS TO ORMESA: IT IS FORBIDDEN TO REPRODUCE, CHANGE OR INFORM ANY THIRD PARTY ABOUT ITS CONTENTS

Juditta



I	302519	BASE WITH WHEELS size-45 B12 (WHITE)	/ 302519N (BLACK)
11	302589	TILTING GAS SPRING + SCREW	
12	302595	BASE FRAME + SCREWS size-45 (WHITE)	/ 302595N (BLACK)
13	302600	B12 WHEEL HUBS	
14	302601	LEFT-RIGHT SUPPORTS KIT OF THE FRONT WHEELS	
15	302038	B12 REAR WHEELS	
16	302039	B12 FRONT WHEELS	

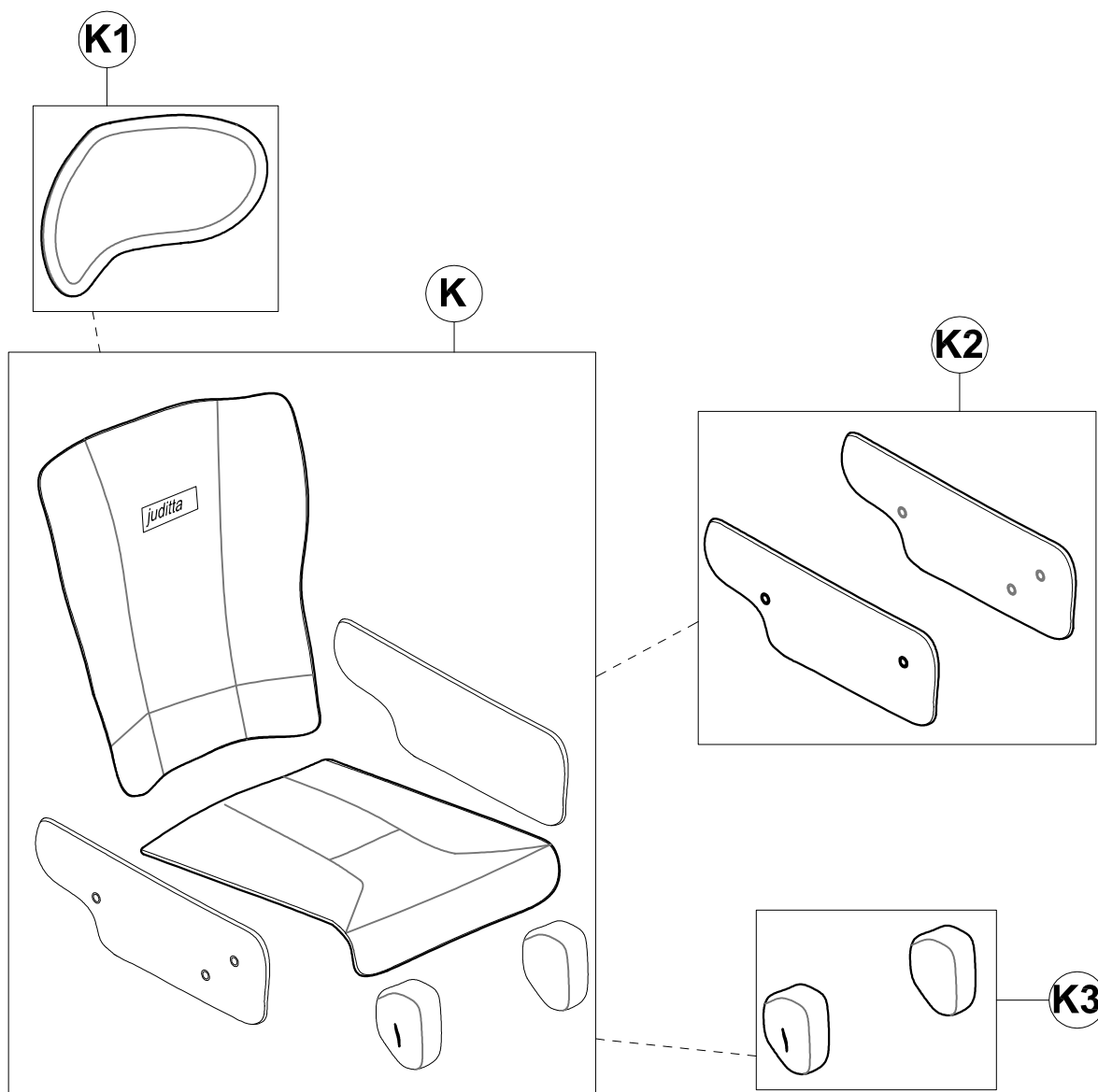
POS. PART NR. DESCRIPTION PART NR for BLACK JUDITTA

Spare Parts BASE WITH WHEELS size-45 B12

pag. 9

ORMESA

Juditta



	171656	LIGHT GREY UPHOLSTERY SIZE-45
K	171654	DARK GREY UPHOLSTERY SIZE-45
	100770	938-45 UPHOLSTERY (WATERPROOF)
	100127	936 JUDITTA HEADREST COVER LIGHT GREY
K1	100126	936 JUDITTA HEADREST COVER DARK GREY
	100121M	936 JUDITTA HEADREST COVER (WATERPROOF)
K2	171470	UPHOLSTERY SIDES size-40-45-50
K3	171461	UPHOLSTERY LEGREST HINGE
POS.	PART NR.	DESCRIPTION

Spare Parts UPHOLSTERY size 45

pag. 10

ORMEDA

Juditta

THIS DRAWING BELONGS TO ORMESA: IT IS FORBIDDEN TO REPRODUCE, CHANGE OR INFORM ANY THIRD PARTY ABOUT ITS CONTENTS