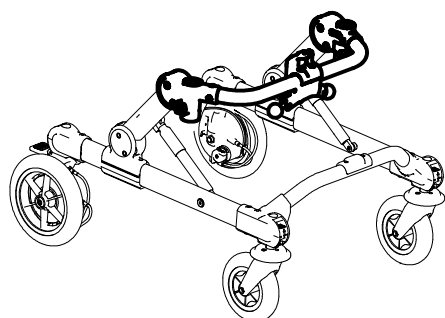
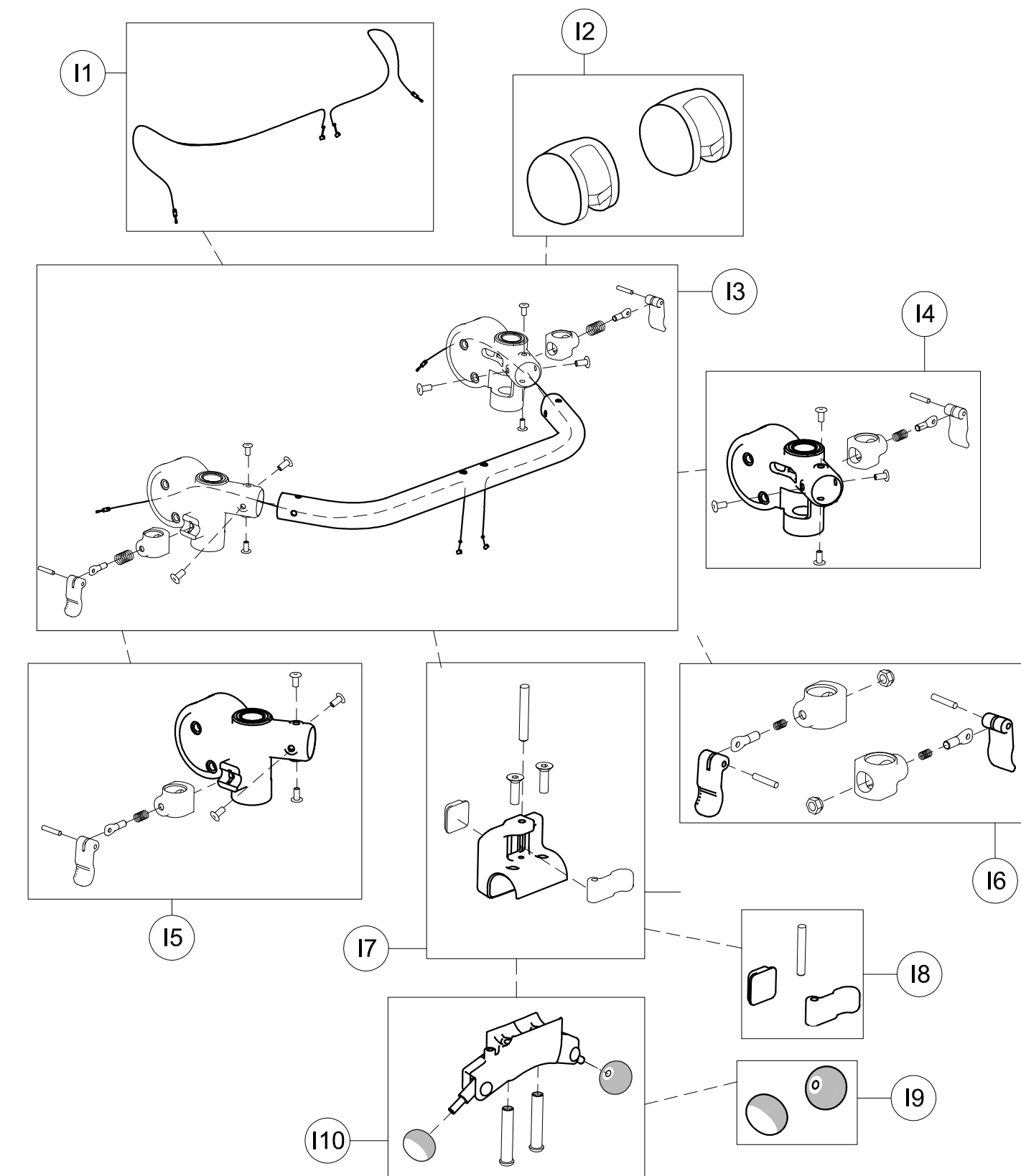


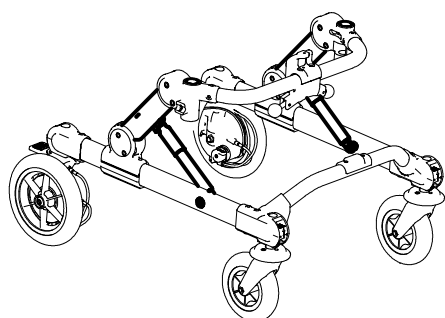
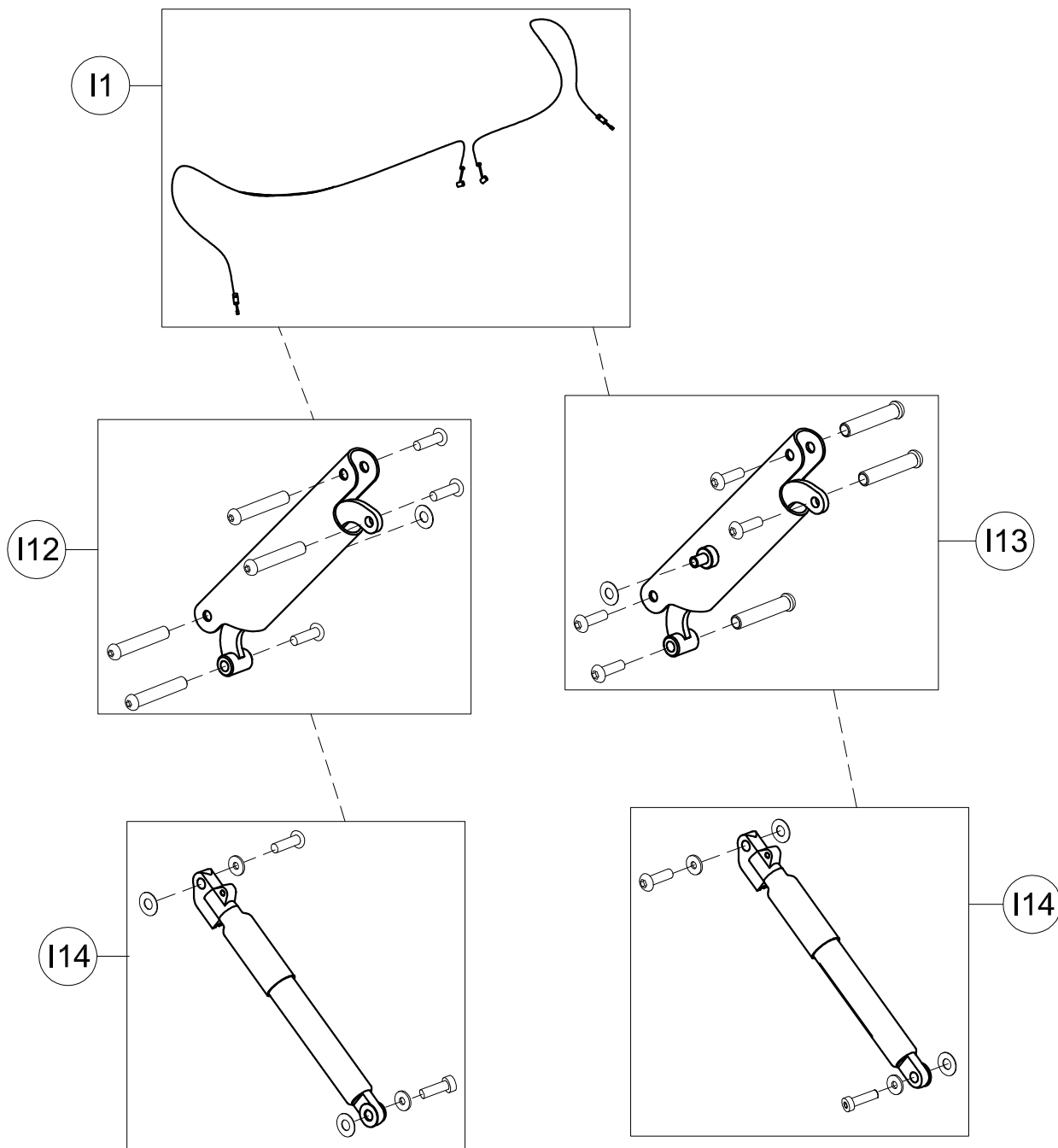
A	302843	COMPLETE TRAY
B	102964	937 HANDLES
E	103631	930 PELVIC HARNESS
F	103634	924 PELVIC SUPPORT
G	102961	890 LEG DIVIDER
I	302699	FRAME (BASE + WHEELS)
J	103581	923 PUSH.HANDLEBAR FOR CARE GIVERS
K	303475	PAIR OF REAR WHEELS
POS.	PART NR.	DESCRIPTION

Spare Parts FRONT DRIVE GRILLO PTM mini



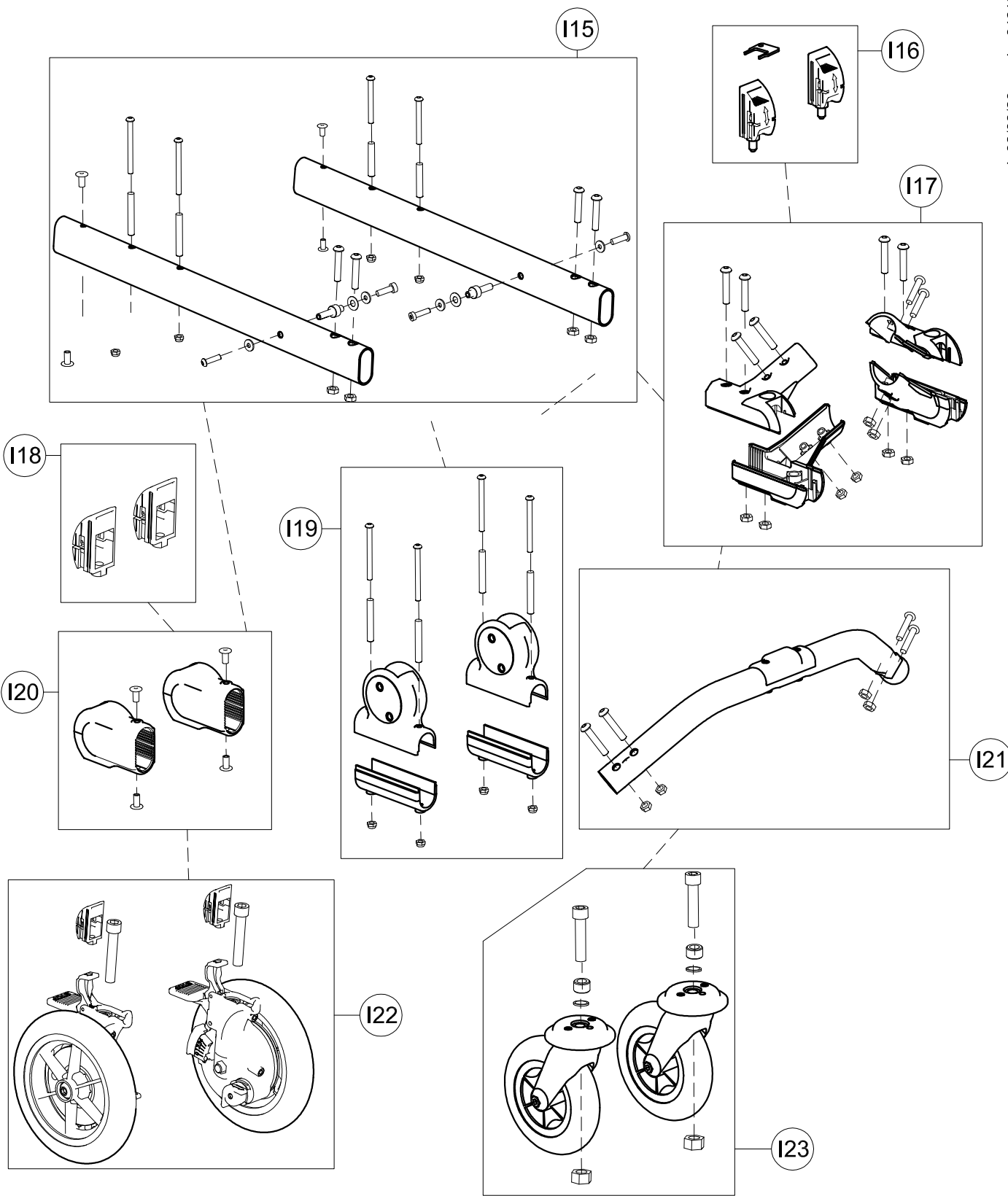
11	302701	PAIR OF HEIGHT ADJUST.CABLES
12	171486	HINGE UPHOLSTERY
13	302700	UPPER CROSSPIECE SUPPORT+SCREWS
14	303088	LEFT UPPER CROSSPIECE SUPPORT+LOCKING LEVER
15	303089	RIGHT UPPER CROSSPIECE SUPPORT+LOCKING LEVER
16	302288	SET OF LEVERS TO LOCK TRUNK SUPPORT VERTICALLY
17	302268	UPPER PELVIC BLOCK FIXING
18	301806	SET OF LEVERS TO LOCK PELVIC SUPP.VERTICALLY
19	301808	PAIR OF KNOBS FOR GAS SPRING
110	302823	OPERATING LEVER SUPPORT
POS.	PART NR.	DESCRIPTION

Spare Parts UPPER PART OF GRILLO BASE
size mini

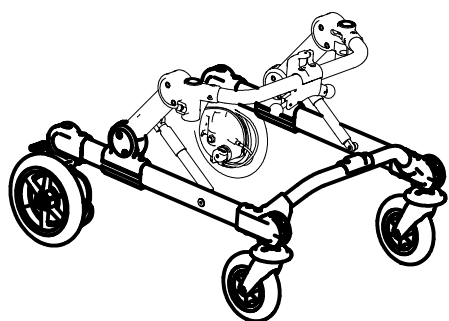


I1	302701	PAIR OF HEIGHT ADJUST.CABLES
I12	302702	COMPLETE RIGHT SIDE
I13	302703	COMPLETE LEFT SIDE
I14	302704	GAS SPRING
POS.	PART NR.	DESCRIPTION

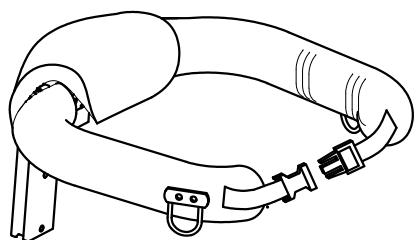
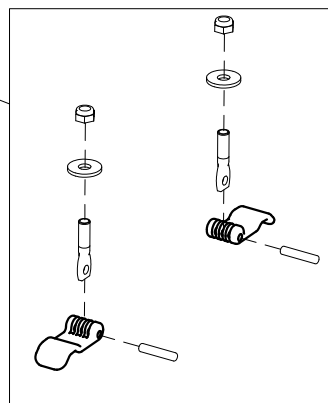
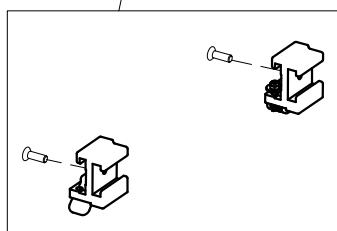
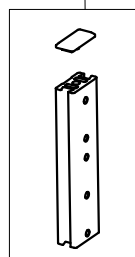
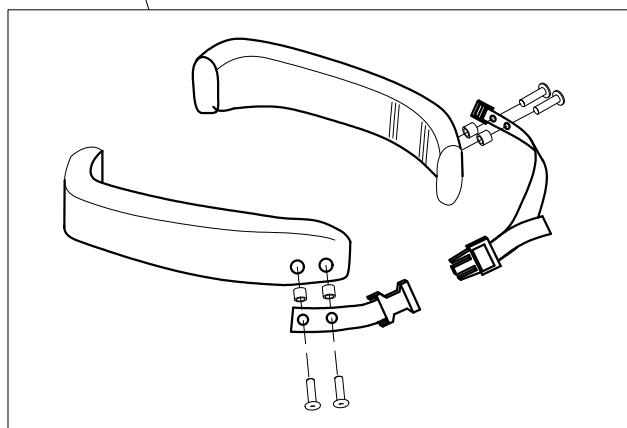
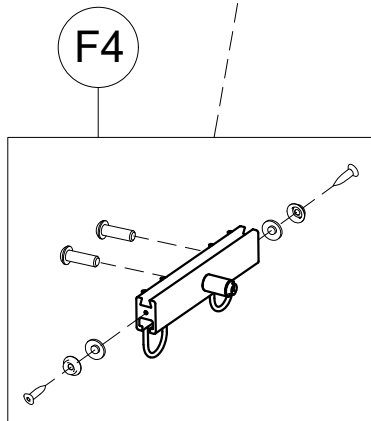
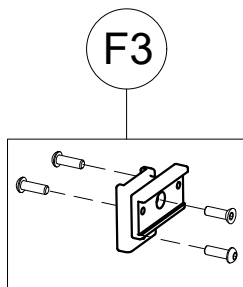
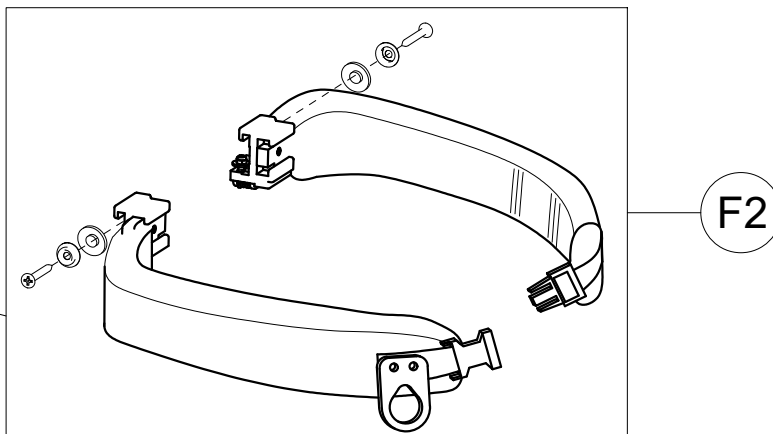
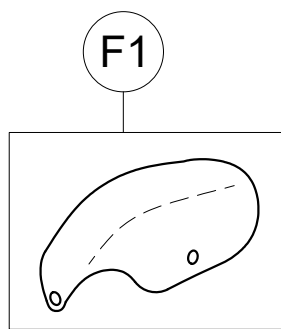
Spare Parts **CENTRAL PART OF GRILLO BASE**
size mini



I15	303249	PAIR OF BASE SIDES
I16	302546	PAIR OF DIRECTION LOCKS
I17	303250	KIT OF LOWER CROSSPIECE SUPPORT
I18	303508	PAIR OF DIRECT.CAPS FOR WHEELS
I19	301812	PAIR OF UPPER/LOWER SUPPORTS OF SIDE
I20	303208	PAIR OF WHEEL SUPPORTS
I21	303251	LOWER CROSSPIECE+SCREWS
I22	303475	PAIR OF COMPLETE POSTERIOR WHEELS
I23	303385	PAIR OF COMPLETE FRONT WHEELS
POS.	PART NR.	DESCRIPTION



Spare Parts LOWER PART OF GRILLO BASE
size mini



F1	160570P	CENTRAL PADDING FOR GRILLO mini PT
	171619	PELVIC CENTRAL UPHOLSTERY FOR GRILLO mini PTM
F2	303199	PAIR OF PELVIC HALF SUPPORT
F3	303226	PELVIC SUPPORT +SCREWS
F4	303098	PROFILE TO ADJUST PELVIC SUPPORT IN WIDTH + HOOKS
F5	303253	PAIR OF PELVIC PADDING + STRAPS AND RIVETS
F6	303099	PELVIC SUPPORT HEIGHT ADJUSTMENT
F7	302298	PAIR OF PROFILE TO SLIDE TRUNK SUPPORT
F8	301842	SET OF LEVERS FOR TRUNK SUPPORT WIDTH
POS.	PART NR.	DESCRIPTION

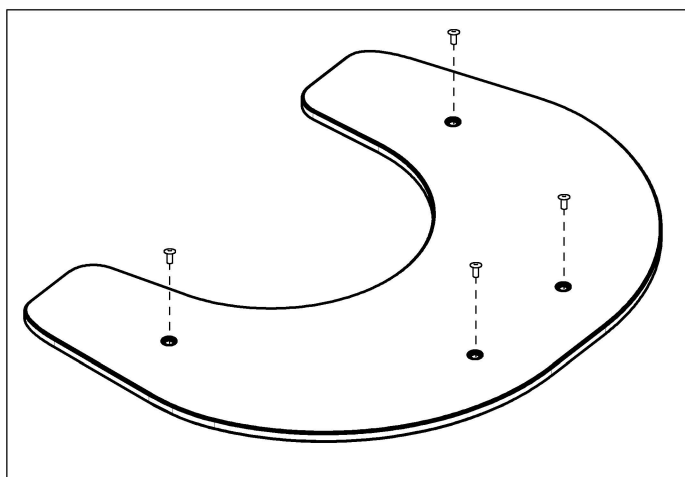
Spare Parts GRILLO PELVIC SUPPORT size mini

pag. 5

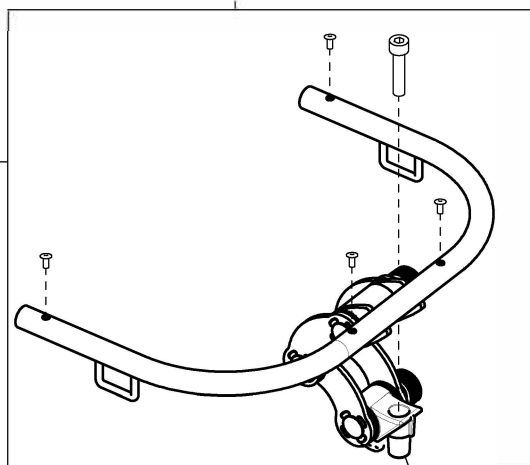
ORMESA

GRILLO

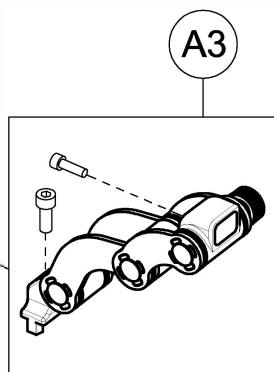
THIS DRAWING BELONGS TO ORMESA: IT IS FORBIDDEN TO REPRODUCE, CHANGE OR INFORM ANY THIRD PARTY ABOUT ITS CONTENTS



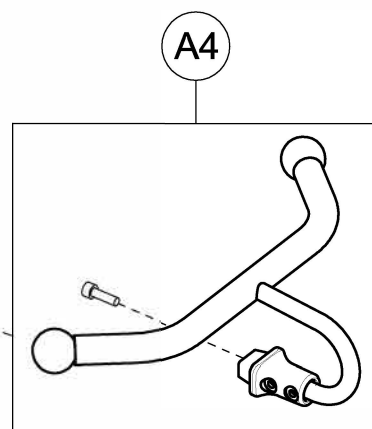
A1



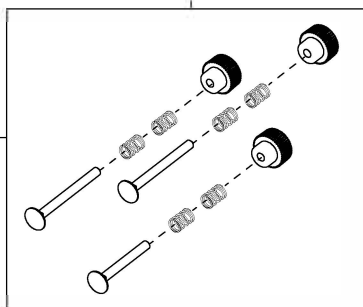
A2



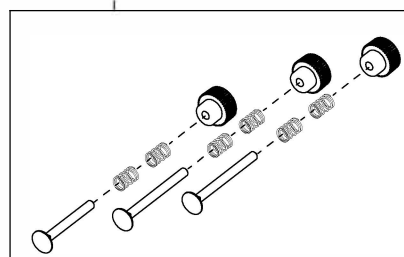
A3



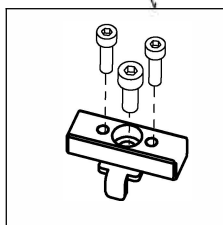
A4



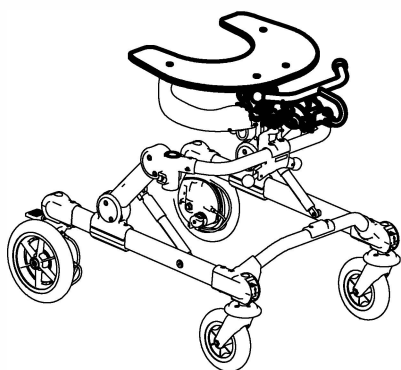
A5



A5



A6



A1	302710	TRANSPARENT TRAY+RIVETS
A2	303115	TRAY FRAME + JOINT
A3	303116	HANDLEBAR JOINT
A4	302713	HANDLEBAR + LOCKING + SCREW
A5	303117	TRIO OF KNOBS + SCREWS
A6	303195	TRAY/ACCESSORIES FIXING BLOCK + SCREWS
POS.	PART NR.	DESCRIPTION

Spare Parts

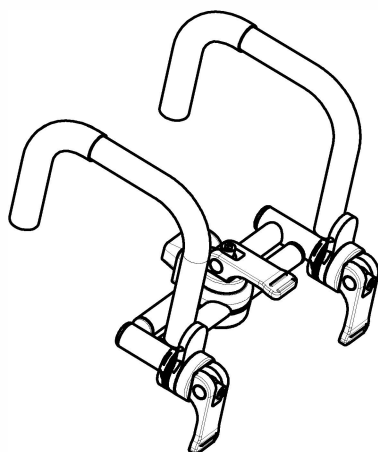
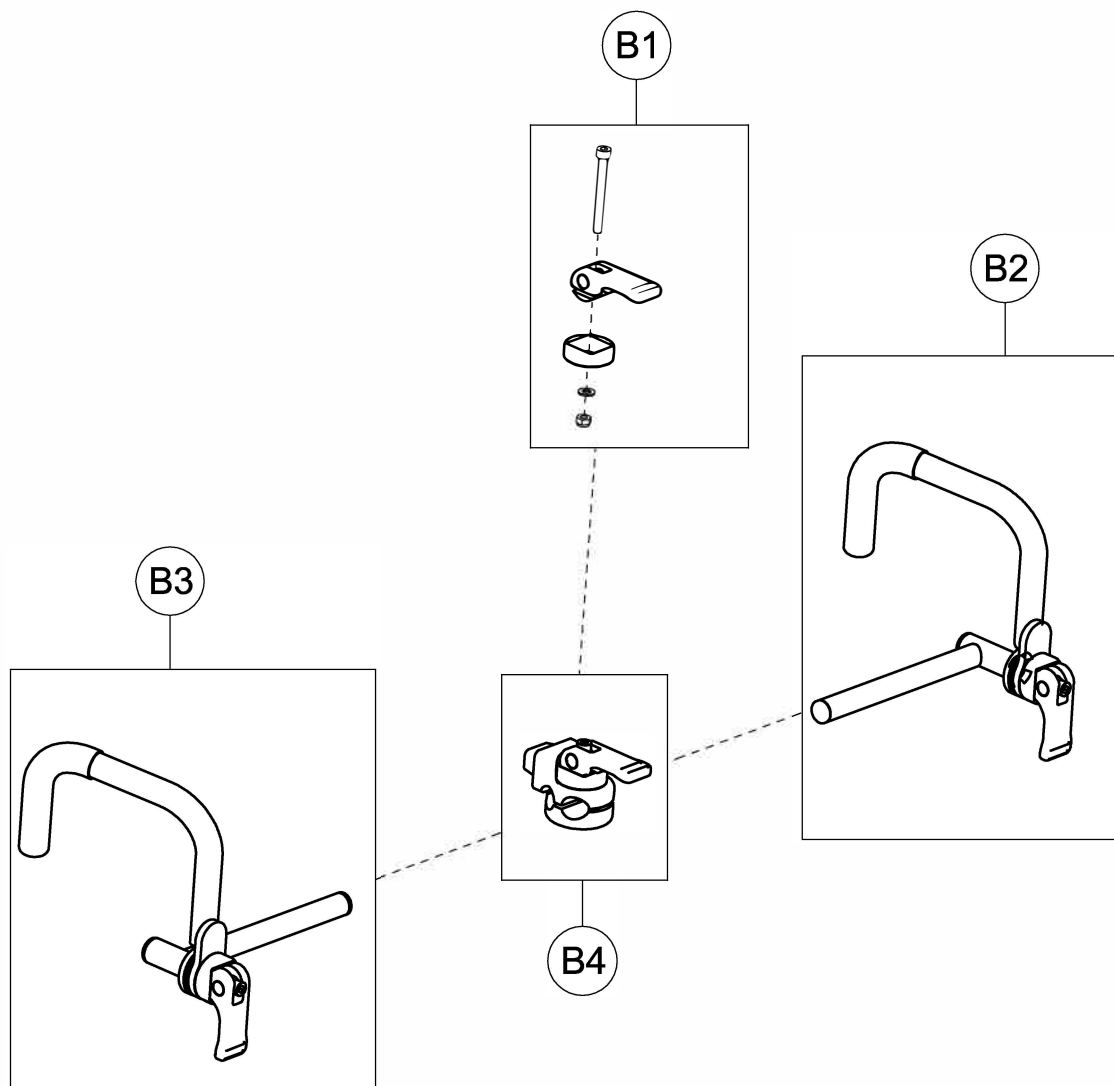
TRAY AND HANDLEBAR
GRILLO size mini

pag.6

ORMESA®

GRILLO

THIS DRAWING BELONGS TO ORMESA: IT IS FORBIDDEN TO REPRODUCE, CHANGE OR INFORM ANY THIRD PARTY ABOUT ITS CONTENTS



B1	302718	HANDLE CENTRAL LEVER
B2	302716	LEFT HANDLE + LEVER
B3	302717	RIGHT HANDLE + LEVER
B4	302719	LOCKING+HANDLE CENTRAL LEVER
POS.	PART NR.	DESCRIPTION

Spare Parts

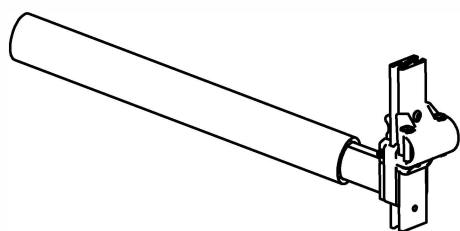
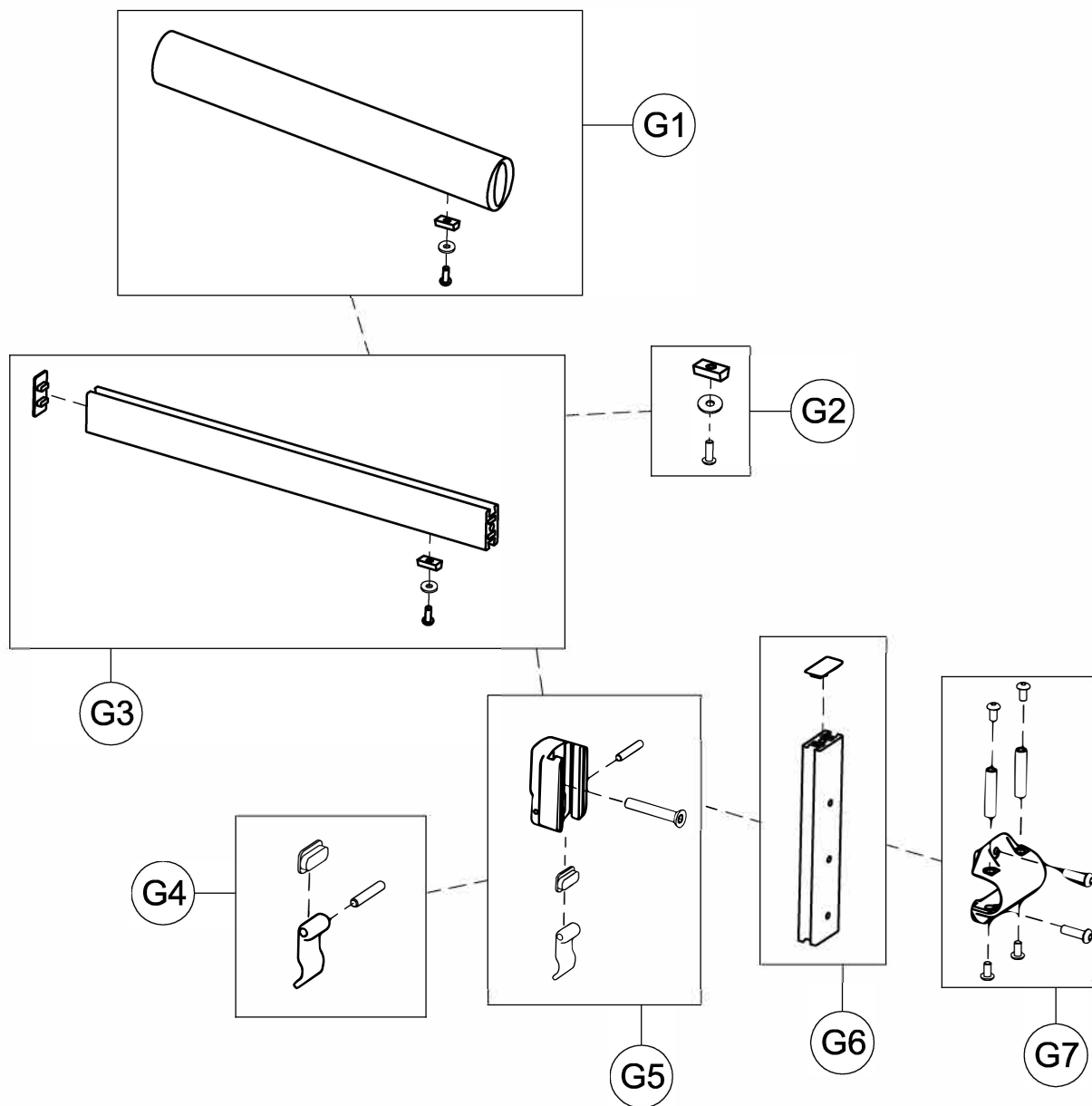
MULTI-ADJUSTABLE HANDLES
GRILLO size mini

pag.7

ORMESA®

GRILLO

THIS DRAWING BELONGS TO ORMESA: IT IS FORBIDDEN TO REPRODUCE, CHANGE OR INFORM ANY THIRD PARTY ABOUT ITS CONTENTS

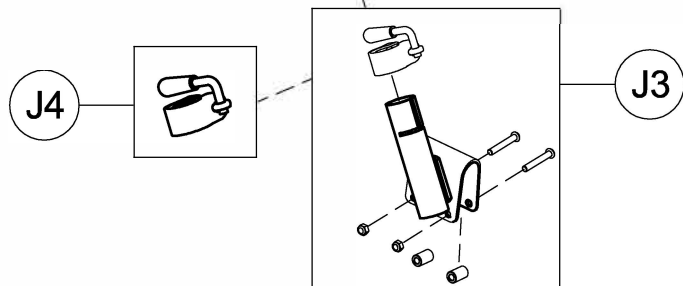
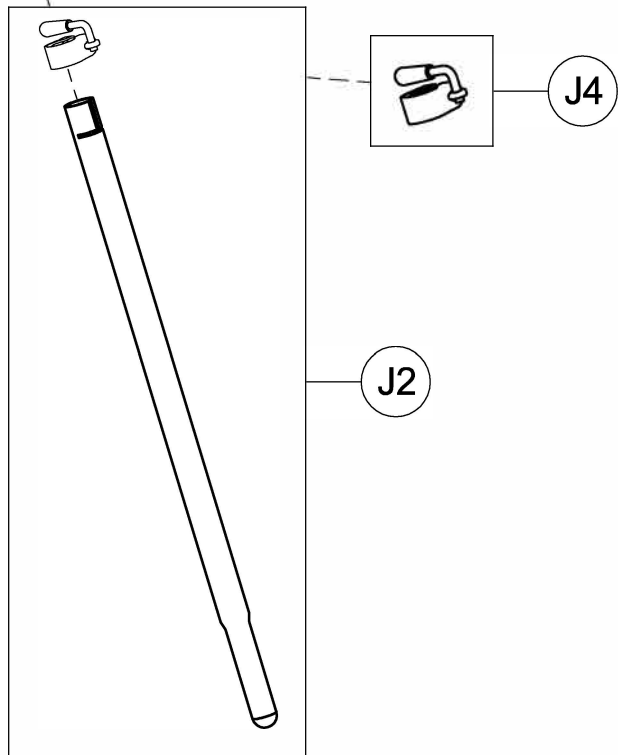
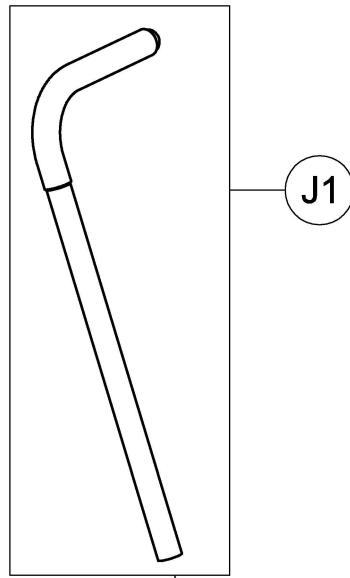
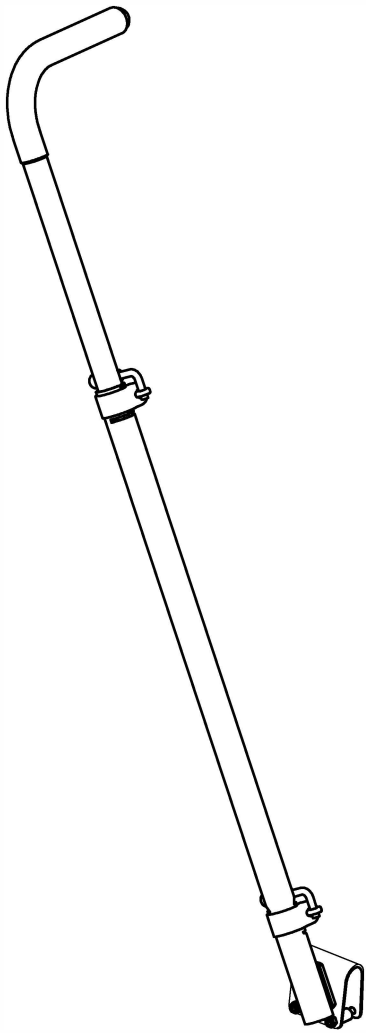


G1	303112	890 HORIZONTAL BAR UPHOLSTERY + SCREW
G2	302721	SET OF SCREWS FOR PADDED LOCK
G3	302720	HORIZONTAL BAR +CAP+ SCREWS
G4	301866	SET OF HEIGHT ADJUST. LEVER
G5	301862	890 FIXING BAR + LEVER AND SCREWS
G6	301863	890 VERTICAL BAR + CAP
G7	301865	FIXING LOCK 890 + SCREWS
POS.	PART NR.	DESCRIPTION

Spare Parts LEG DIVIDER GRILLO size mini

ORMESA®

GRILLO



J1	303113	PUSHING HANDLEBAR WITH GRIP
J2	303114	BAR FOR HANDLEBAR
J3	302443	HANDLEBAR FIXING PART
J4	21085	LOCKING
POS.	PART NR.	DESCRIPTION

Spare Parts PUSHING HANDLEBAR for CARE GIVERS

ORMESA®

GRILLO