

OWNER'S MANUAL

Gs100

Scooter



For instructions on how to assemble this scooter for a customer, the dealer must visit the Amylior website or scan this QR code and click on Support / Support for Professionals.

SAFETY GUIDELINES

The distributor/dealer must supply a copy of this manual to the user upon delivery.

Do not operate this scooter without first reading this Owner's Manual.

Before using this scooter, the user must read, understand and follow all the instructions and suggestions in this manual in order to ensure comfort and safety.

If instructions and warnings are not understood, the user must contact the distributor/dealer or a qualified technician before operating this scooter.

Failure to do the above, may result in damage and/or injury.

WARNING



These warnings must be followed, failure to do so may cause personal injury or may damage the scooter.

PROHIBITED!



Prohibited actions must never be performed. Performing an action that is prohibited can cause personal injury or may damage the scooter.

EMI



Electromagnetic interference (EMI) is an electrical "noise" caused by electric motors, machines, generators, and other equipment that interferes with the integrity of data being processed in nearby computers or passing through transmission lines.

NOTE - Notes are informative statements to help further explain actions, warnings or product detail.

TABLE OF CONTENTS

1.	General information	2
2.	Indications of use	2
3.	Safety guidelines.....	2-3
4.	EMI (electromagnetic interference).....	4-5-6-7
5.	Gs100 parts	8
6.	Technical specifications	9
7.	Control panel	10-11
8.	Seat adjustment.....	12
9.	Park brake	13
10.	Reuse by third parties	13
11.	Your scooter	14
12.	Disassembling your scooter	14-15
13.	Assembling your scooter.....	16
14.	Care and maintenance.....	17-18
15.	Diagnostics	19-20
16.	Limited warranty	21
	Our mission	22
	Our values	22
	Contact us	22

1. GENERAL INFORMATION

This Owner's Manual is an integral part of the delivery of the **Gs100 Scooter**. The user should have it readily available at all times. It must be kept with the scooter, should the scooter be transferred to another user.

The manufacturer reserves the right to make changes relative to the details included in this manual. They may be modified to reflect technical improvements made. This document cannot be reprinted, translated and/or duplicated in any form whatsoever, even in part, unless prior written consent from the manufacturer. Any modifications to this Owner's Manual will not be communicated. A current version is available upon request.

2. INSTRUCTIONS AND USE

The **Gs100 Scooter** is designed for people with reduced mobility. The maximum weight limit of **300 lb (135 kg)** must not be exceeded.

BEFORE USING YOUR SCOOTER

- The dealer must supply you with instructions for use and safety guidelines.
- Before getting onto your scooter, the key must always be in the off position and the brake must be engaged.
- Adjust your seat to the forward-facing position and flip the armrest up to slide into the seat. Lower the armrest once seated.
- Adjust the tiller to a comfortable position.
- Use caution when getting off your scooter. Always turn off the key engage the brake prior.
- Respect the **300 lb (135 kg)** weight limit for your scooter. This includes objects that you transport and carry with you.
- Refrain from using your cellular phone while using your scooter. Turn your cellular phone off to charge it in the USB port.

3. SAFETY GUIDELINES

If there is information in this manual that you do not understand or if you need assistance to use your scooter, please contact your dealer or qualified technician before operating this scooter. Failure to follow instructions and procedures, can cause either personal injury, component damage or malfunction. **Amylior** disclaims all liability for injury or damage resulting in an improper use.

CAUTION : READ and FOLLOW all instructions, warnings and notes in this manual before using your Gs100 scooter.

- An authorized dealer of **Amylior** products must deliver this product and follow all procedures contained in this manual.
- **DO NOT** transport passengers under any circumstances.
- **ALWAYS** shut down your scooter and engage the park brake before assembly or disassembly.
- **DO NOT** turn at high speeds.
- **ALWAYS** keep weight centered on the scooter to avoid tipping.
- **DO NOT** back up onto an incline or on uneven terrain. Always approach an obstacle or incline head-on.
- **DO NOT** use your scooter on stairs or escalators. Use an elevator or ramp with a recommended gradient. Maximum recommended incline is 6 degrees.
- **ALWAYS** lower your speed when driving down an incline.
- **ALWAYS** ensure your seat is facing forward and is properly affixed to your scooter prior to use.
- **DO NOT** climb inclines or obstacles that do not respect the safe capacity of your scooter.
- **CAUTION!** Be careful you do not pinch your fingers during assembly and disassembly of your scooter.
- **NEVER** remain seated in your scooter during transportation in a vehicle or in accessible transportation.
- **ALWAYS** anchor your scooter with certified attachments during transportation.
- **ALWAYS** inspect your scooter before each use (p.2). If you detect any issue, you should refrain from use and contact your dealer.
- **ALWAYS** respect pedestrian rules and any other regulations in your area when using your scooter.
- **DO NOT** drive on roads. As a pedestrian, you are permitted to use an intersection to cross the road.
- **DO NOT** use on icy surfaces or in other slippery conditions.
- **DO NOT** use your scooter under the influence of alcohol, drugs or medications.
- **DO NOT** jump the sidewalk or navigate stairs with your scooter.
- **CAUTION!** Be careful when navigating surfaces such as grass, gravel, balconies or elevated surfaces without railings.

4. EMI (ELECTROMAGNETIC INTERFERENCE)

 **WARNING** - Read all warnings to reduce the risk of unintended brake release or scooter movement:

1. Beware of the danger from hand-held transceivers. Never turn on or use a hand-held transceiver while power to your scooter is on. Use extra care if you believe that such a device may be in use near your scooter.
2. Be aware of nearby radio or TV stations and avoid coming close to them.
3. If unintended movement occurs, turn your scooter off as soon as it is safe to do so.

 **WARNING**

A. WHAT IS EMI?

1. EMI means: electromagnetic (EM) interference (I). EMI comes from radio wave sources such as radio transmitters and transceivers. (A "transceiver" is a device that both sends and receives radio wave signals).
2. There are a number of sources of intense EMI in your daily environment. Some of these are obvious and easy to avoid. Others are not, and you may not be able to avoid them.
3. Scooters may be susceptible to electromagnetic interference (EMI) emitted from sources such as radio stations, TV stations, amateur radio (HAM) transmitters, two-way radios, and cellular phones.
4. EMI can also be produced by conducted sources or electrostatic discharge (ESD).

 **WARNING**

B. WHAT EFFECT CAN EMI HAVE?

1. EMI can cause your scooter, without warning, to:
 - Release its brakes
 - Move by itself
 - Move in unintended directions

If any of these occurs, it could result in severe injury to you or others.

2. EMI can damage the control system of your scooter. This could create a safety hazard, and lead to costly repairs.

 **WARNING**

C. SOURCES OF EMI

The sources of EMI fall into three broad types:

1. **Hand-held transceivers:** The antenna is usually mounted directly on the unit. These include:
 - Citizens band (CB) radios
 - "Walkie-talkies"
 - Security, fire and police radios
 - Cellular phones
 - Laptop computers with phone or fax
 - Other personal communication devices

C. SOURCES OF EMI (CONTINUED)

2. **Medium-Range Mobile Transceivers:** These include two-way radios used in police cars, fire trucks, ambulances and taxi cabs. The antenna is usually mounted on the outside of the vehicle.

NOTE - These devices can transmit signals while they are on, even if they are not in use.

3. **Long-Range Transceivers:** These include commercial radio and TV broadcast antenna towers and amateur (HAM) radios.

NOTE - The following are not likely to cause EMI problems:

- Laptop computers (without phone or fax),
- Cordless phones,
- TV sets or AM/FM radios,
- CD or tape players.

WARNING

D. DISTANCE FROM THE SOURCE

EM energy rapidly becomes more intense as you get closer to the source. For this reason, EMI from hand-held devices are of special concern (see C.1 (portable transceiver) from the previous section for more information). A person using one of these devices can bring high levels of EM energy very close to your scooter without you knowing it.

WARNING

E. IMMUNITY LEVEL

1. The level of EM is measured in volts per meter (V/m). Every scooter can resist EMI up to a certain level. This is called its "immunity level".
2. The higher the immunity level, the less the risk of EMI. It is believed that a 20 V/m immunity level will protect the scooter user from the more common sources of radio waves. This product respects that immunity level.

NOTE - There is no way to know the effect on EMI if you add accessories or modify this scooter. Any change to your scooter may increase the risk of EMI. Parts not specifically tested or parts from other suppliers have unknown EMI properties.

WARNING

F. REPORT ALL SUSPECTED EMI INCIDENTS

You should promptly report any unintended movement or brake release. Be sure to indicate whether there was a radio wave source near your scooter at the time.

Contact: Amylior customer service department at **+1 450 424-0288**

WARNING

G. EMI FROM SCOOTER

Electromagnetic field emitted by electronics component included in this scooter may interfere with other electronic devices emitting similar field, such as shopping mall alarm systems.

5. Gs100 PARTS

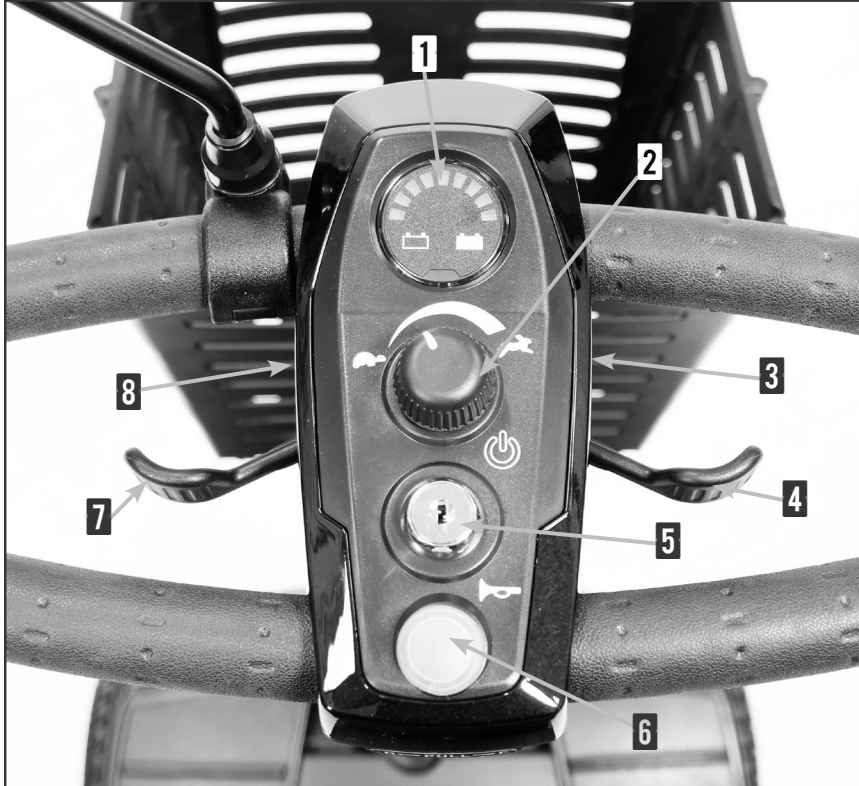
- | | |
|-----------------------------------|---------------------------------|
| 1 - Removable, collapsible basket | 7 - Battery rack |
| 2 - Rear-view mirror | 8 - Non-slip rubber floor mat |
| 3 - Control panel | 9 - Lock tiller |
| 4 - Adjustable armrest | 10 - Adjustable knob for tiller |
| 5 - Folding backrest | 11 - Adjustable tiller |
| 6 - Brake lever | |



6. TECHNICAL SPECIFICATIONS

Gs100 Scooter	
SPECIFICATIONS	
Weight capacity	300 lb (135 kg)
Maximum Speed	4.5 mph (6.5 km/h)
Operating Range	Up to 12 miles (20 km)
Ground Clearance to Center Deck	2.2" (56 mm)
Ground Clearance to Transaxle/ Motor	1.7" (43 mm)
Turning Radius	39" (990 mm)
Types of batteries	22 Ah
Colors	Blue Matte or Cabernet
Charger	3 A, off board
Controller	45 A
DIMENSIONS	
Length	42.5" (1080 mm)
Width	21.5" (546 mm)
Height (ground to top of back of seat)	33" (840 mm)
Seat Height with backrest folded	23.5" - 25.5" (600 mm - 650 mm)
Ground to top of Deck Height	4.5" (115 mm)
Deck to Top of Seat Height	17" (430 mm)
Front Axle to Rear Axle	32" (815 mm)
WEIGHT OF UNIT (assembled)	
Front Half	44 lb (20 kg)
Drive-train	28 lb (12.7 kg)
Seat with armrests	22 lb (10 kg)
Batteries	21 lb/Pack (9.5 kg)
TIRES	
Standard tires	
Front	8" (205 mm)
Rear	8" (205 mm)
Rear Anti-Tippers	2" (50 mm)
STANDARD SEAT	
Back Height – no headrest	14" (355 mm)

7. CONTROL PANEL



- 1 - Battery meter
- 2 - Speed adjustment knob
- 3 - USB port
- 4 - Throttle control lever «Forward»
- 5 - Key switch ON/OFF
- 6 - Horn button
- 7 - Throttle control lever «Reverse»
- 8 - Charger port

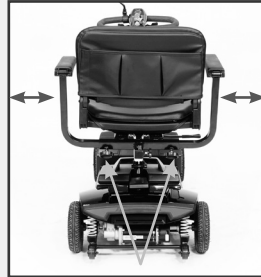


Battery Meter	<ul style="list-style-type: none"> This gauge is to help you evaluate the battery power remaining for your scooter. <ul style="list-style-type: none"> Green = fully charged, Yellow = 50 % charged, Red = less than 50 % charged
Speed Adjustment Knob	<ul style="list-style-type: none"> It is recommended to select a speed setting at which you are comfortable, safe and in control, depending on your current situation and conditions. Adjust speed from minimum to maximum, by turning the knob. Turtle = minimum speed / Rabbit = maximum speed
Horn Buttons	<ul style="list-style-type: none"> To sound the horn: Press the button.
Throttle Control Lever	<ul style="list-style-type: none"> Your dealer can reverse the controls depending on your personal needs. To move forward: Pull the lever toward you with your right hand or push the lever up with your left thumb. To move in reverse: Pull the lever toward you with your left hand or push the lever up with your right thumb.
Key Switch (On/Off)	<ul style="list-style-type: none"> Your scooter requires a key to function. Always keep the second key in a safe place. To start: insert the key then turn the key clockwise 90 degrees. The battery meter will light up. To shut down the unit: turn the key counter clockwise to the vertical position.
Charging Port	<ul style="list-style-type: none"> Charging your batteries: It can be done via the port below the control panel or directly on the battery pack.
USB Port	<ul style="list-style-type: none"> The USP port can be used to charge devices that use a USB cable.

8. SEAT ADJUSTMENT

1.

- To adjust the **width between armrests**, loosen adjustment knobs located at the rear of the seat and slide armrests out/in to increase/decrease width.
- Once proper width is achieved, tighten adjustment knobs.



2.

- To adjust **armrest angle**, turn the screw located on the bottom back of the armrest to achieve desired angle.
- To increase angle, turn the screw counter clockwise.
- To decrease angle, turn the screw clockwise.



3.

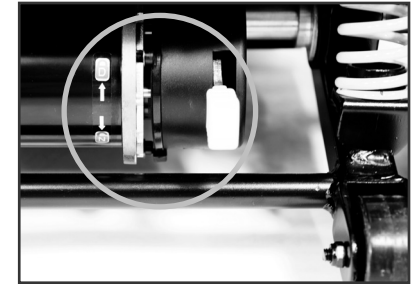
- The seat can be rotated 360 degrees and locked at any 45-degree increment position.
- To **adjust the seat**, pull up the lever below the seat and rotate to the desired position. Release the handle to lock the seat in any 45-degree position. Rotate side to side until it is locked.



9. PARK BRAKE

Your scooter is equipped with an electromagnetic park brake on the base toward the back.

1. To use your scooter, the lever must be engaged in the Drive position "D".
2. To move your scooter without using battery power, disengage the lever in the neutral position "N".
3. Once in the "N" position, push the scooter slowly. Pushing too quickly will activate a slowing mechanism and will make it difficult to push.



WARNING

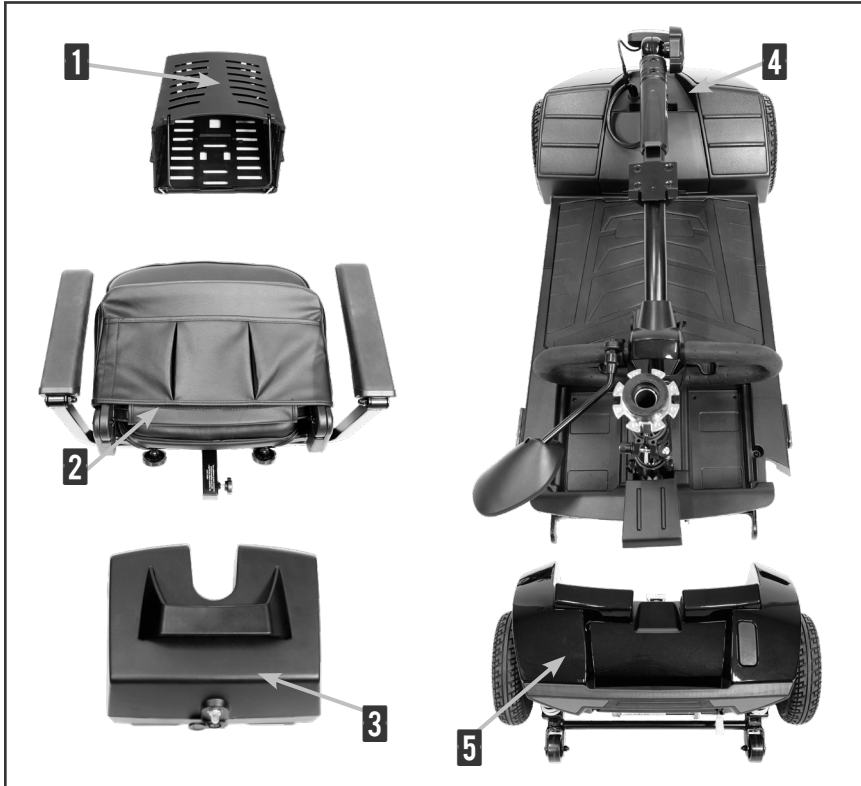
- Do not sit the scooter if the brake lever is in the "N" or neutral position.
- Always ensure the brake lever is in the "D" position before inserting the key to use scooter.
- Never disengage the brake lever while driving.

10. REUSE BY THIRD PARTIES

If you transfer your scooter to a new user, please remember to hand over all technical documentation needed to ensure safe operation. In accordance with specifications, the **Gs100 Scooter** must first be inspected, cleaned and returned to pristine condition by a certified or qualified technician.

11. DISASSEMBLING YOUR SCOOTER

Your scooter has been designed to disassemble into 5 components to make it easier for transport. For your safety, please follow these steps:



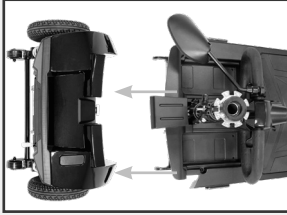

- 1 - Detachable collapsible basket
- 2 - Seat
- 3 - Portable battery pack
- 4 - Front Chassis
- 5 - Drive train

12. DISASSEMBLING YOUR SCOOTER

1.	<ul style="list-style-type: none"> • Ensure you are on a level surface.
2.	<ul style="list-style-type: none"> • Lock the tiller.

3.	<ul style="list-style-type: none"> • Remove key from the key switch. 	
4.	<ul style="list-style-type: none"> • Remove seat by holding firmly on each side and lifting straight upward. 	
5.	<ul style="list-style-type: none"> • Lift both battery packs off the scooter. 	
6.	<ul style="list-style-type: none"> • Remove basket from the tiller by pulling up. 	
7.	<ul style="list-style-type: none"> • Fold tiller down and lock. Push in and turn the tiller lock clockwise 90° to lock the front wheel, making it easier to carry. Loosen tiller adjustment knob and fold the tiller down flat. 	
8.	<ul style="list-style-type: none"> • Tighten the adjustment knob to secure it in the lowered position. Once it is lowered and locked, this may be used as a handle for easy transportation. 	
9.	<ul style="list-style-type: none"> • Separate the drive train portion from the front chassis by lifting the quick release handle with one hand and pulling the front chassis up and off with the other hand to separate the two portions. 	

13. ASSEMBLING YOUR SCOOTER

1.	<ul style="list-style-type: none"> Line drive train up with front chassis. Lower the front chassis onto the drive train until the drive train release lever engages. A click should be heard. 	
2.	<ul style="list-style-type: none"> Reinstall the battery pack by gently lowering it into position onto the frame. 	
3.	<ul style="list-style-type: none"> Loosen the tiller adjustment knob, lift tiller to the desired upright position and tighten the knob. 	
4.	<ul style="list-style-type: none"> Install the basket by placing it onto the bracket and push down to lock it in place. 	
5.	<ul style="list-style-type: none"> Install the seat by holding it on an angle to see the swivel post underneath. 	
6.	<ul style="list-style-type: none"> Then insert the post into the receptacle. 	
7.	<ul style="list-style-type: none"> Push the seat down to lock it in place then move the seat left and right, to make sure it is locked in place. 	
8.	<ul style="list-style-type: none"> Before driving, unlock the tiller by turning the tiller lock knob 90 degrees counter clockwise to the unlocked position. Leaving the tiller locked, will prevent the tiller from turning and this may cause injury! 	

14. CARE AND MAINTENANCE

CLEANING YOUR SCOOTER

TIRES

- Clean the tires with ordinary kitchen-type cleaners/mild soap and a damp cloth.
- Do not use solvents on tires. These can cause the tire material to break down or become too soft.

BODY

- Use damp cloth with mild soap or detergent to remove dirt and oil.
- Use a clean soft cloth to dry and buff.
- Do not use a hose or pressure washer to wash your scooter.

SEAT AND FLOOR MAT

- Clean with a mild soap or mild detergent and a damp cloth (a vinyl cleaner may also be used) and wipe with soft dry cloth.

BATTERIES

Battery maintenance is a crucial part of keeping your scooter in good working condition.

- Plug in the off-board charger after each use for 6-8 hours. For best results charge your batteries overnight after a day of use.
- If you do not plan to use the scooter for more than a week, fully charge the batteries and then remove the battery packs from the scooter.

IMPORTANT : New batteries should be fully charged before use. A 12-hour charge will provide maximum performance.

TIPS TO MAXIMIZE BATTERY LIFE:

- Use only the automatic off-board charger supplied for all routine charging.
- Do not use any other types of chargers.
- Avoid deep discharges and do not let the batteries drain completely.
- Do not leave batteries in a low state of charge for extended periods.
- Charge a discharged battery as soon as possible.
- Fully recharge batteries regularly.
- Always store batteries fully charged.
- Check stored batteries once a month and recharge as necessary.

BATTERIES (CONTINUED)

TO CHARGE THE BATTERIES:

- The charger for your Gs100 scooter is an off-board charger.
- To charge the batteries, plug the charger into the charger port on the side of the console or directly on the battery pack.
- When the batteries are fully charged, disconnect the charger power cord from the wall outlet and from the charging port.
- **WARNING:** Explosive gases may be generated while charging the batteries. Keep the Gs100 and battery charger away from sources of ignition such as flames or sparks. Provide adequate ventilation when charging the batteries.

NOTE: Your scooter will not move while the charger remains connected.

BATTERY MAINTENANCE:

⚠ WARNING

- This scooter uses only deep cycle, sealed lead-acid SLA- or AGM-type batteries. The use of any other type of batteries can cause an electrical overload or a spark that may cause an explosion and/or a fire resulting in severe injury or death.
- These batteries are maintenance-free.
- There is no risk of spillage or leakage and these batteries can be safely transported on planes, buses and trains.

REPLACING THE BATTERIES:

To prevent any risk of injury, your Amylior authorised dealer must replace the batteries.

MAIN CIRCUIT BREAKER

There is a main circuit breaker that may be tripped under situations where there is a heavy current draw. The main circuit breaker reset button is located on the battery pack. If pressing the reset button does not rectify the issue, contact your authorized Amylior dealer. If the main circuit breaker continues to trip, there may be an electrical issue that needs to be addressed.

DO NOT attempt any electrical repairs yourself.

15. DIAGNOSTICS

The microprocessor of your scooter uses beeps to alert and inform you of any faults or conditions. The diagnostic is based on the number of beeps as indicated in the following table. If possible, review the information below before contacting your Amylior authorized dealer. If you do, please have your scooter's serial number in hand. It is located under the floor mat.

1 BEEP	2 BEEPS
<ul style="list-style-type: none"> • Indicates the battery voltage is below the required operating voltage of the scooter. • Your scooter will continue to function at reduced speeds. As the voltage drops you will eventually experience a power loss. • Fix this by charging your scooter's batteries. 	<ul style="list-style-type: none"> • Indicate the battery voltage is too low for the scooter to operate. • At this voltage your scooter will cease operation. • Fix this by charging your scooter's batteries. • If you have charged the batteries and the condition continues, one or both scooter batteries may be faulty or there may be a problem with your charger. • Consult your authorized Amylior dealer for assistance.
3 BEEPS	4 BEEPS
<ul style="list-style-type: none"> • Indicate to contact your authorized Amylior dealer. 	<ul style="list-style-type: none"> • Indicate that the motor control board is overloaded and/or overheated. • This can occur if you have been driving up an incline above the recommended 6° for an extended period or if you are carrying a payload higher than the recommended weight capacity of 300 lb (135 kg). • Your scooter will not operate until the motor control board cools back to its operational temperature range. • Fix this by turning off the key switch and allowing the scooter to cool down for 10 minutes.

15. DIAGNOSTICS (CONTINUED)

5 BEEPS	6 BEEPS
<ul style="list-style-type: none"> • Indicate a brake problem. • The brake lever may be in the disengaged "N" position. • The brake or brake wiring may be damaged. • For your safety, your scooter will cease operation until the problem is rectified. • Fix this by making sure the brake lever is in the engaged "D" position. Turn the key switch to the "OFF" position to stop the beep code, engage the brake lever then turn the key back on. • If this does not resolve the issue, contact your authorized Amylior dealer. 	<ul style="list-style-type: none"> • Indicate that the throttle control lever was not in the neutral position when the key switch was turned to the "ON" position. • It is also possible the throttle control lever is out of adjustment. • Fix this by turning the key switch to the "OFF" position and make sure the throttle control lever is in the neutral position. Turn the key to the "ON" position. • If the above does not resolve the issue, contact your authorized Amylior dealer.
7 BEEPS	8 BEEPS
<ul style="list-style-type: none"> • Indicate an issue with the throttle control lever or with the speed control. • Make sure that the throttle control lever is in the neutral position (not in the forward/backward position). • Your scooter will not operate until the issue is resolved. • Fix this by ensuring all electrical connections are properly and firmly connected. • If the connections are properly connected, and the issue remains, contact your authorized Amylior dealer. 	<ul style="list-style-type: none"> • Indicate a motor voltage problem. • Your scooter will not operate until the issue is resolved. • Contact your authorized Amylior dealer.
	9 BEEPS
	<ul style="list-style-type: none"> • Indicate other internal errors or faults. • Your scooter will not operate until the issue is resolved. • Contact your authorized Amylior Inc dealer.

16. LIMITED WARRANTY

Amylior guarantees this product against defects in materials and workmanship providing the scooter was not misused or abused by the user.

Following are details regarding warranty coverage, from the date of purchase from an authorized **Amylior** dealer.

- **5-YEAR WARRANTY** – Main frame, seat post, steering structure, and fork.
- **2-YEAR WARRANTY** – Motor/transaxle assembly, electromagnetic brake, controller, charger, electrical cables, and other electronic components.
- **1-YEAR WARRANTY** – Original batteries and Bluetooth sound bar.
- **EXCLUSIONS** – Other than manufacturing defects, this warranty does not apply to parts requiring replacement for normal wear and tear such as plastic parts, motor brushes, brake pads, fuses and light bulbs, tires and inner tubes, seat, and upholstery.

The above warranty does not apply in the case of an accident, negligence, abuse or inappropriate transportation of the product. If this product is found to be defective during the warranty period, it will be replaced or repaired by **Amylior** with new or refurbished parts. This warranty does not cover freight charges for the replacement or repair of this product.

Amylior is committed to supply products that meet the highest standard of quality. This product has been built to this standard and has been carefully inspected prior to shipment. This limited warranty represents the confidence we have in the quality of our parts and labour. For any warranty service, contact the dealer or retailer that sold you this product.

If you are not satisfied, communicate with us directly. Please have readily available your scooter's model and serial number, reason for your call as well as the name of the retailer that sold you this product.

DO NOT return the product to us without prior authorization. This warranty does not cover problems caused by user abuse.

OUR MISSION

Our mission is to improve customer mobility and quality of life by developing a superior product and offering unbeatable service to meet the specific needs of users.

OUR VALUES

- **Humanity** is the heart of our company.
We have a deep respect and great compassion for human beings inside and outside our organisation. We believe in people and we are committed to help.
- **Integrity** is the foundation of our business.
We are proud to work together openly with honesty, ethics and transparency through our daily interactions with our customers, colleagues and partners. We respect employment equity where everyone can contribute their very best.
- **Innovation** is the essence of our vision.
We are continuously moving forward, learning, improving, challenging the status quo by encouraging our employees to pursue new ideas that make a difference.
- **Excellence** is the goal in our performance.
It is the main driver in achieving our objectives. We believe this excellence highlights our leadership and firm determination to provide the best solution for each customer.
- **Passion** is the source of our creativity. We share our motivation and commitment to energize, engage and inspire others. We all have a common purpose which is to provide the best customer experience and enjoy doing it.

CONTACT US:

info@amylior.com

www.amylior.com



3190 F.-X.-Tessier
Vaudreuil-Dorion, QC
J7V 5V5, Canada
+1 450 424-0288
1 888 453-0311