

# INSTRUCTION GUIDE

## *REPLACING THE E-BX CONTROLLER*



*Replacing the e-bx Controller (cont'd)***TABLE OF CONTENTS**

1. Replacement parts .....	3
2. Tools required .....	3
3. Replacement for a fixed backrest .....	4
4. Replacement for a power recline backrest.....	5

## Replacing the e-bx Controller (cont'd)

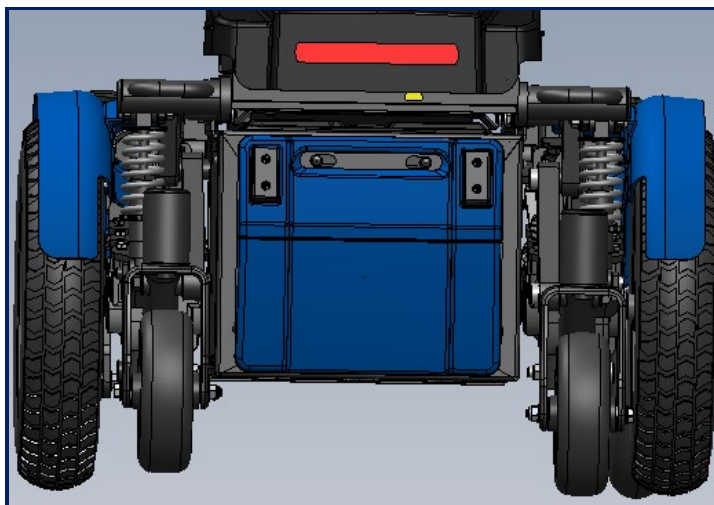
### INTRODUCTION

The following instructions explain how to replace an e-bx controller for a fixed or power recline backrest. It's important to pay attention to the position of each part and cables when removing them to facilitate later reinstallation. We strongly recommend that you take pictures before removing anything.



### 1. Replacement parts

Part #	Description
1000004	E-bx multiple iQ actuator controller R-net

Before proceeding, make sure that the power is off on the joystick and that the batteries located in the compartment are disconnected.



### 2. Tools required

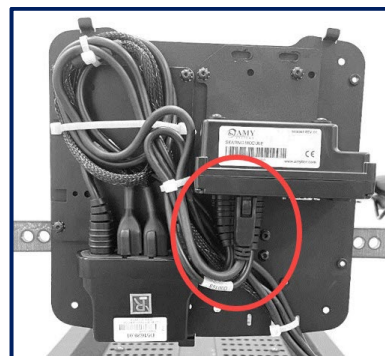
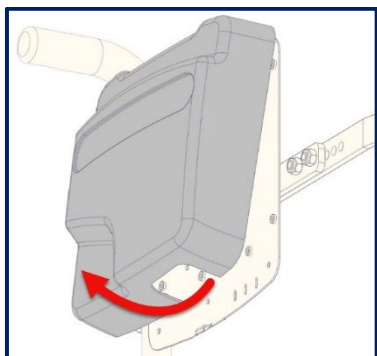
2 ½ mm Allen key	
Cutter pliers	
Zip ties	B00051 = 5 ½"/140 mm B00052 = 7 ½"/190 mm B00053 = 11"/280 mm

## Replacing the e-bx Controller (cont'd)

### 3. Replacement for a fixed backrest

The following section shows how to replace an e-bx controller on a **fixed backrest**.

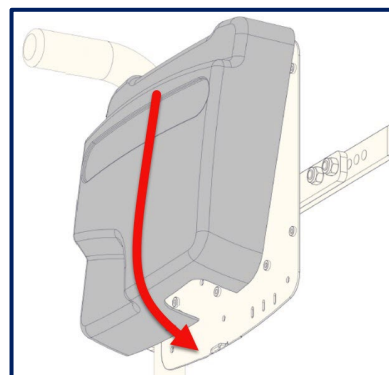
- a) Remove the shroud from the fixed backrest by pulling down on it.
- b) Disconnect all cables from the e-bx.



- c) Remove all cables around the e-bx and cut zip ties if needed.
- d) Using a 2 ½ mm Allen key, remove all 4 screws holding the e-bx.



- e) Replace the old e-bx controller with a new one and secure it by tightening all 4 screws.
- f) Using zip ties, recoil cables around controller. Reconnect cables to e-bx as they were originally.
- g) Reinstall the shroud starting from the top then the bottom making sure it is securely in place.
- h) Reconnect the batteries and close compartment door.
- i) Power up system and fully cycle each actuator in the system to ensure that all power positioning options are in good working condition.



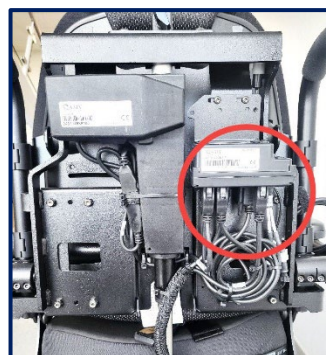
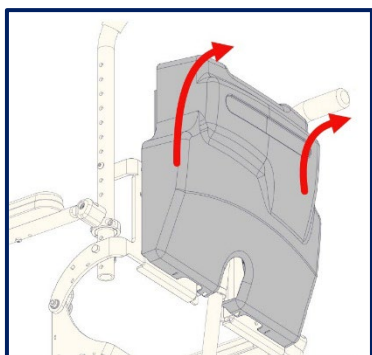
## Replacing the e-bx Controller (cont'd)

### 4. Replacement for a power recline backrest

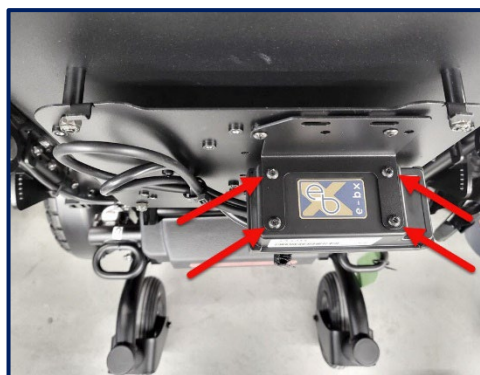
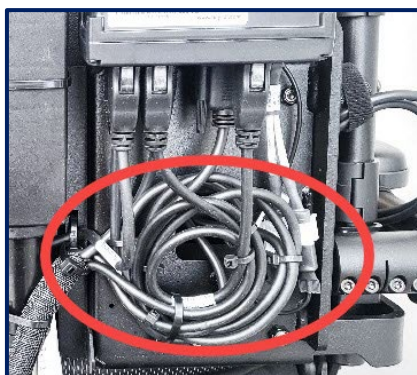
The following section shows how to replace an e-bx controller on a **power recline backrest**.

**REMINDER:** Power down the system and disconnect batteries in the battery compartment before proceeding.

- a) Remove the shroud from the power backrest by pulling up and out on it.
- b) Disconnect all cables from the e-bx.



- c) Remove all cables around the e-bx and cut zip ties if needed.
- d) Using a 2 ½ mm Allen key, remove all 4 screws holding the e-bx.



- e) Replace the old e-bx controller with a new one and secure it by tightening all 4 screws.
- f) Using zip ties, recoil cables around controller. Reconnect cables to e-bx as they were originally.
- g) Reinstall the shroud starting at the bottom then the top making sure it is securely in place.
- h) Reconnect the batteries and close compartment door.
- i) Power up system and fully cycle each actuator in the system to ensure that all power positioning options are in good working condition.

