

INSTRUCTION GUIDE

NEW RESIDUAL LIMB SUPPORT ADJUSTMENT



New Residual Limb Support Adjustment (cont'd)

INTRODUCTION

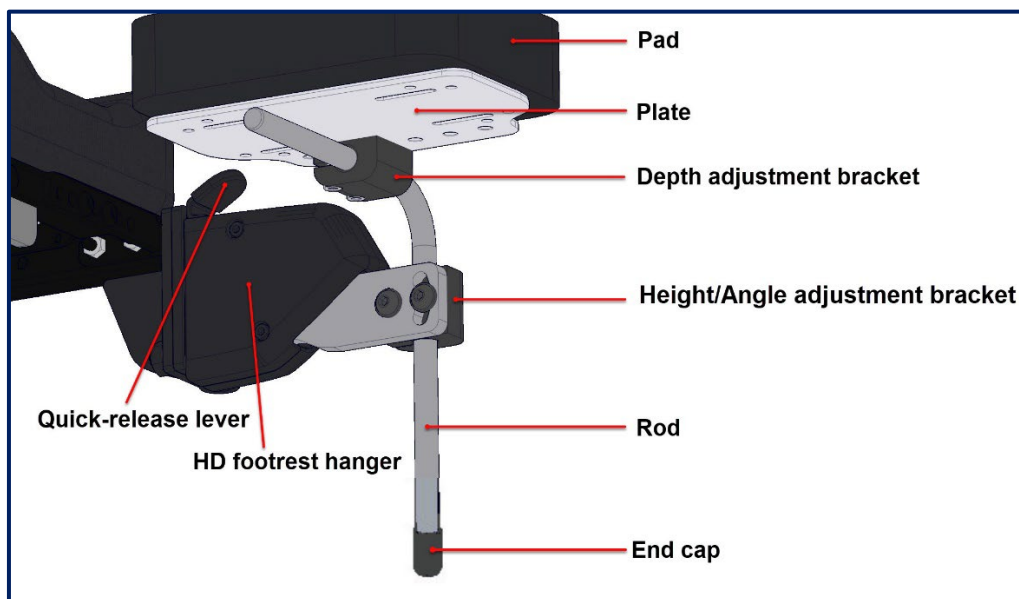
Our newly designed residual limb support is a highly adjustable and durable accessory designed to provide comfort and support in varying angles and positions. The cushioned pad offers a soft, supportive surface, ensuring a comfortable and secure fit tailored to various shapes and sizes. To optimize the adjustment process, we recommend performing measurements and modifications while the user is securely and comfortably seated in their wheelchair.

ADJUSTMENT FEATURES

This section provides a comprehensive breakdown of the different adjustments available for fine tuning the user's preferences and needs. There are 5 different adjustment features:

1. **Rod Height:** Tailor the height of the support to achieve optimal and comfortable positioning.
2. **Rod Angle:** The angle of the rod can be adjusted to alter the depth, angle, and position of the pad relative to the seat.
3. **Pad Angle:** Fine-tune the angle of the cushioned pad to align perfectly with the user.
4. **Pad Lateral Position:** Customize the lateral position of the pad, accommodating various shapes and sizes with ease.
5. **Pad Depth:** Modify the depth of the pad to meet individual requirements, enhancing overall stability and support.

The Residual Limb Support and its parts



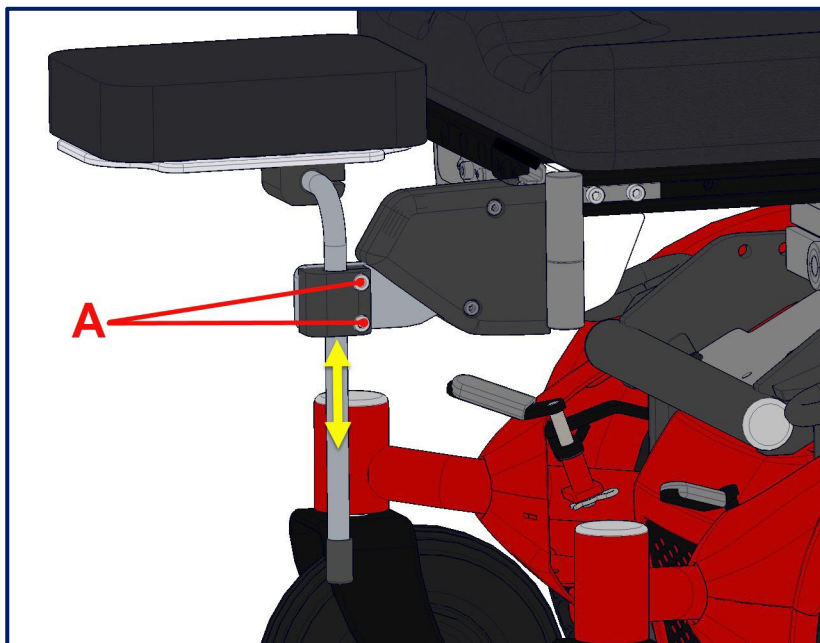
REQUIRED TOOL

- A 5 mm Allen key. Ensure that screws are very tight, or
- An impact drill with 5 mm drill bit.

New Residual Limb Support Adjustment (cont'd)

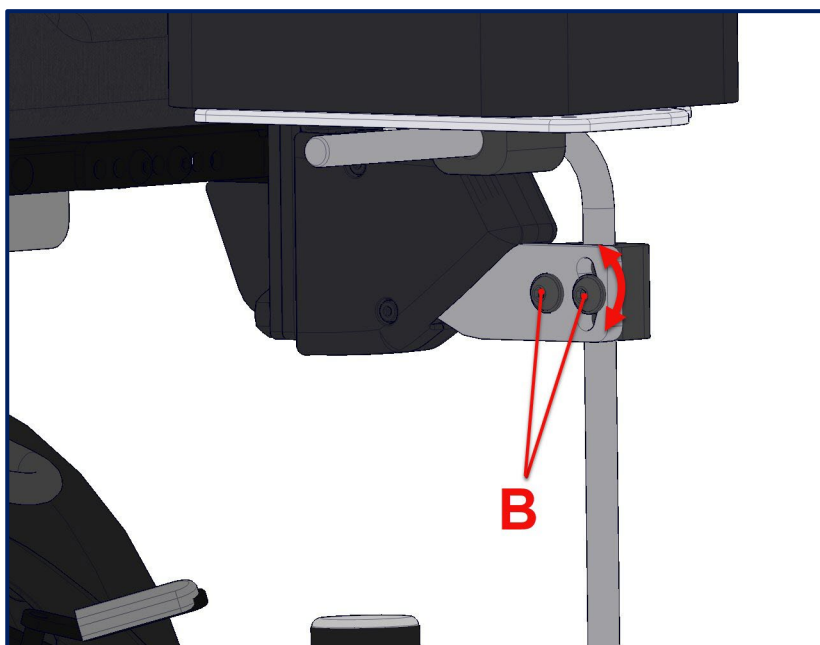
1. Adjusting rod height

- Loosen both screws (A) without removing them completely.
- Slide rod up or down to desired position.
- Retighten screw securely using selected tool to maintain desired position.



2. Adjusting rod angle

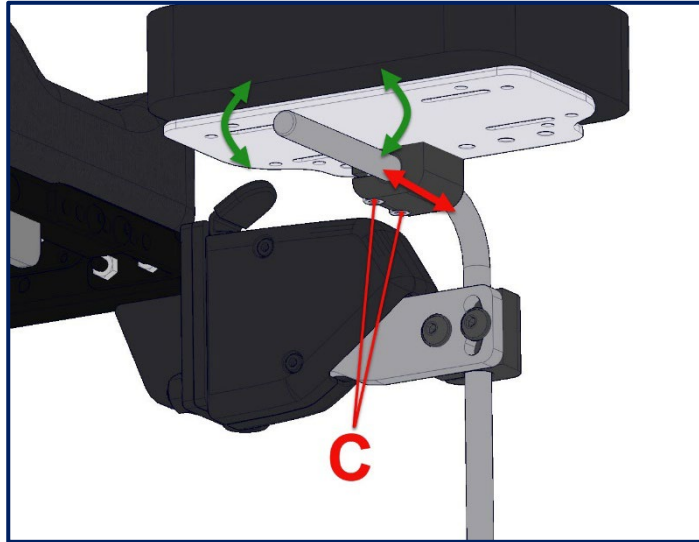
- Loosen both screws (B) without removing them completely.
- Tilt rod up or down within the allocated slot to desired position.
- Retighten screw securely using selected tool to maintain desired position.



New Residual Limb Support Adjustment (cont'd)

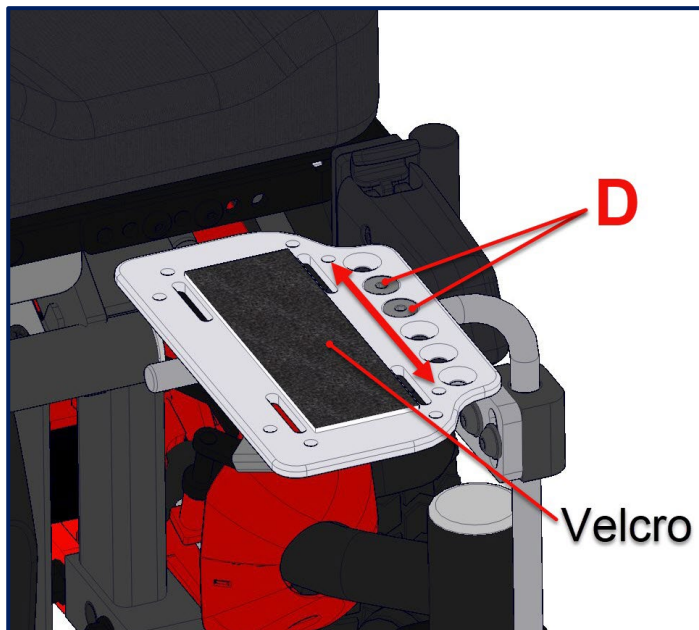
3-4. Adjusting pad angle and lateral position

- Loosen both screws (C) without removing them completely.
- To adjust pad angle (green arrows), tilt plate to the desired position.
- To adjust lateral position (red arrow), slide plate bracket along the rod to desired position.
- Retighten screw securely using selected tool to maintain desired position.



5. Adjusting pad depth

- Remove pad from the plate by gently pulling it off its Velcro.
- Remove screws (D) from the plate.
- Place the plate to desired position, making sure to align plate holes with bracket holes.
- Insert screws (D) and tighten securely using selected tool to maintain desired position.



ADDITIONAL FEATURE

The residual limb support uses the same hanger as the Signature HD swing-away footrest for easy removal and access for transfers. The quick-release lever and common receiver with the Signature HD swing-away also allows for easy swapping between the residual limb support and a standard footrest should a prosthetic be used at different times.