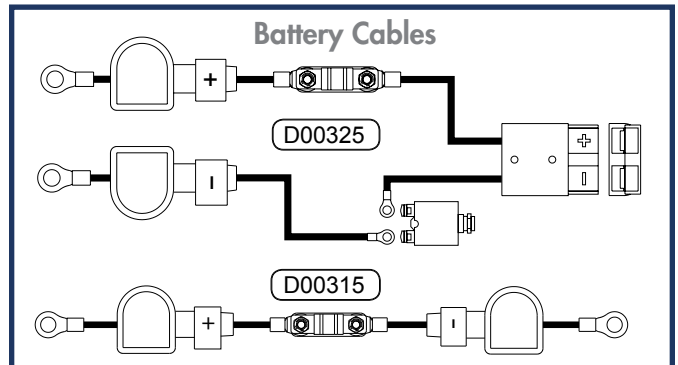
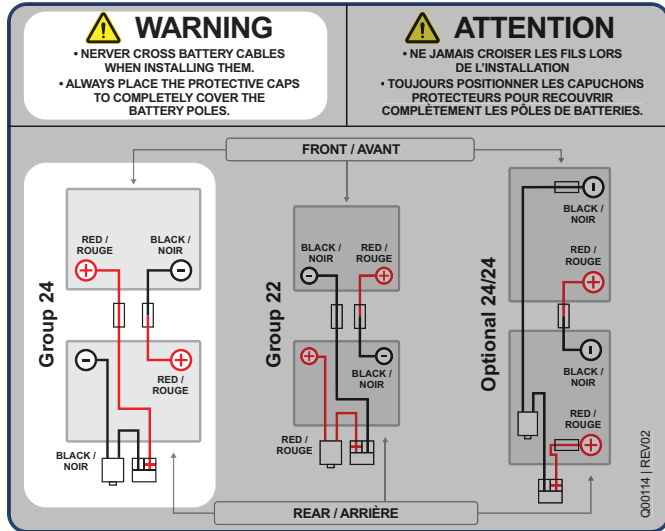


GROUP 24 BATTERY CONNECTIONS (PARALLEL POSITION)

GROUP 24 DIAGRAM :

Diagram (A)

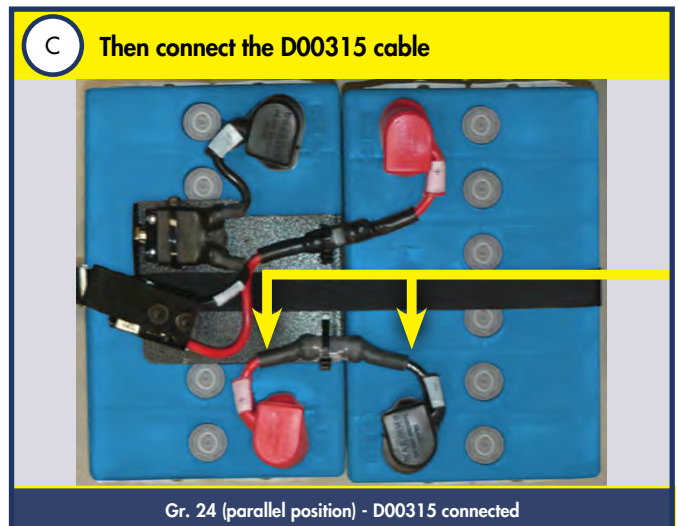
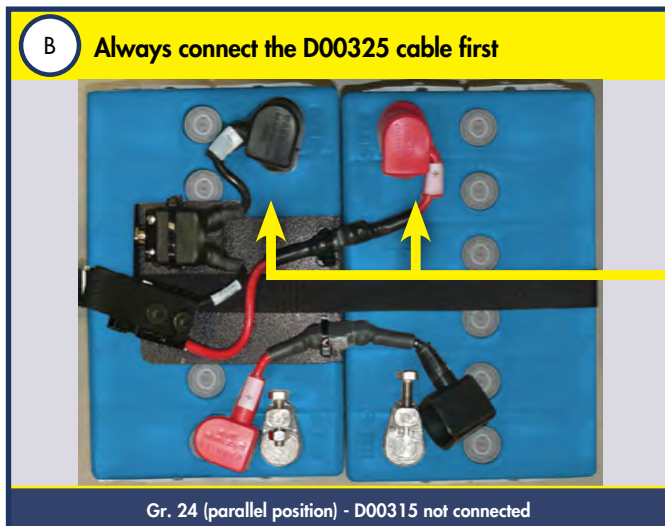
For information on how to connect the cables to the batteries, refer to the "Group 24" diagram which is located inside the battery access door.



STEP 1 (B & C)

Cable installation sequence

Always install cable D00325 first and then cable D00315 to avoid the risk of short-circuit between the tightening tool and the battery poles.

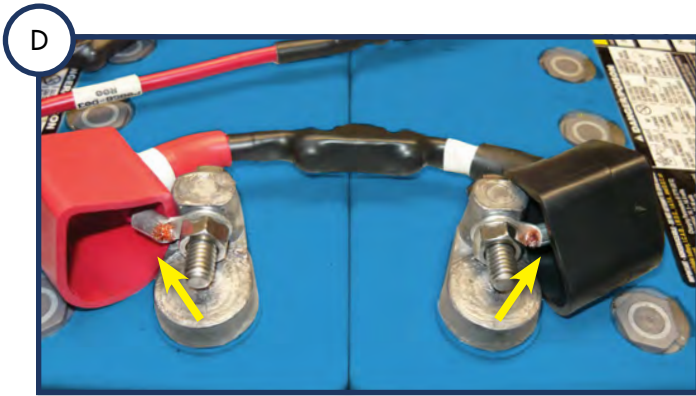


STEP 2

Cable positioning

The connection on each terminal must always be installed away from each other.

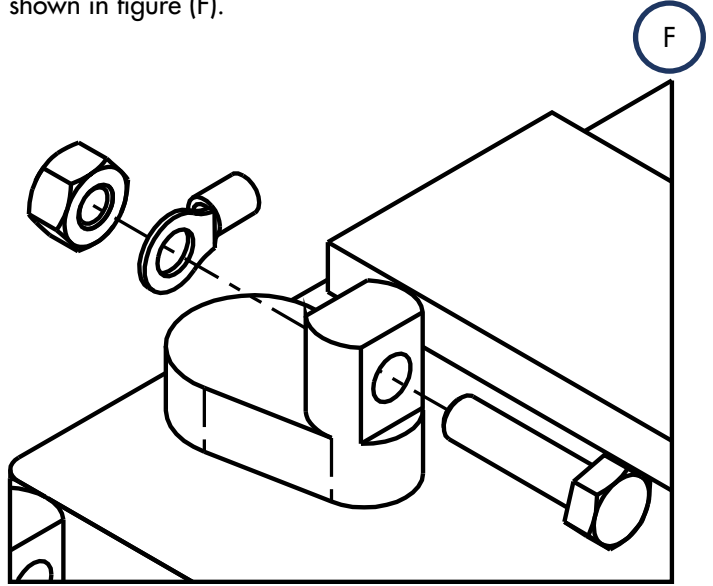
See picture (D) for more detail.



STEP 3

Batteries with external poles

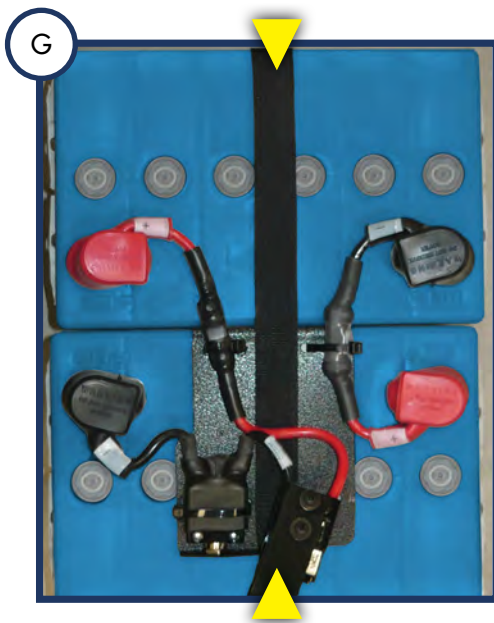
For batteries with external poles, the nut should be installed on the inside of the pole, and the bolt should come from the outside through the pole and the cable connector, as shown in figure (F).



STEP 4

Strap positioning

The strap must be routed perpendicular to both batteries and over the cable retaining plate, as shown in picture (G).



STEP 5

Pole protection caps

The protection caps must be installed to cover the entire pole assembly before inserting the batteries in the battery compartment. See picture (H).

