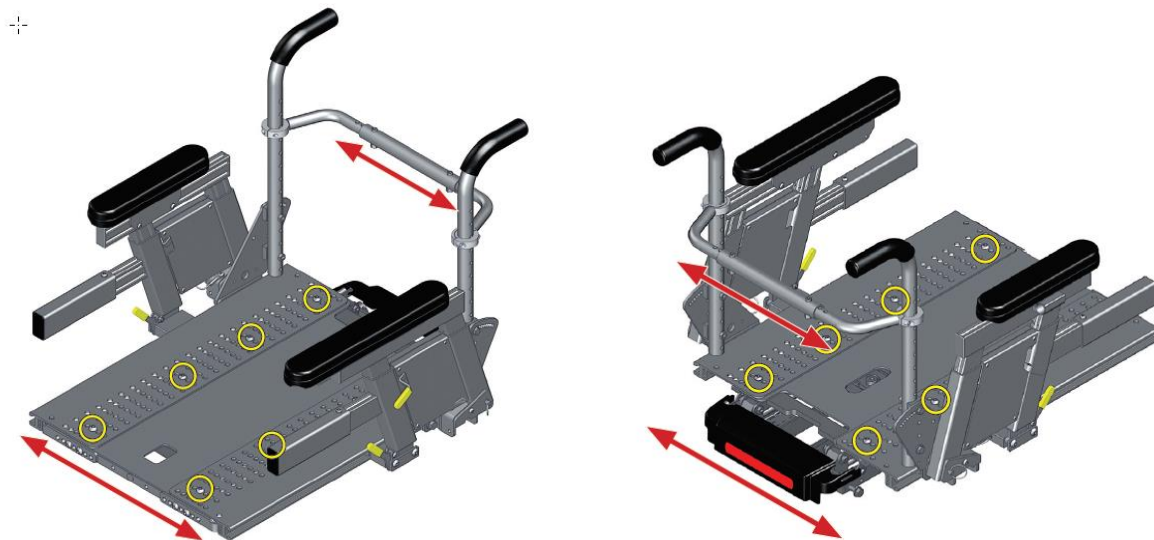


INSTRUCTION GUIDE

ADJUSTING SEAT, BACK, AND CENTER OF GRAVITY

INTRODUCTION

When removing screws for adjustments, special attention should be given in retightening these screws securely to avoid severe injury and/or damage to the seating system.



SEAT – WIDTH ADJUSTMENT

Unscrew and remove the 6 to 8 screws located on top of the seat pan with 3/16" Allen key and, then equally adjust the seat width to the desired width and put screws back in place.

NOTE - The width adjustment must also be made on the rear cross tubes that hold the back canes and seat laterally. Use a 3/16" Allen key with 7/16" wrench to remove the 2 bolts.

! WARNING

At all times, the screws holding the seat plates and back cross tube must be screwed in tightly and securely in order to avoid severe injury and/or damage to the seating system.

SEAT – DEPTH ADJUSTMENT

Two seat frames are available that allow for depth adjustment. The short frame range is up to 19" (480 mm) deep and the long frame range is up to 22" (560 mm) deep.

The seat depth can be adjusted in one-inch increments on standard rehab seating for all seat frames.



- To adjust, loosen the three bolts (A) on the backrest pivot plate on each side of the seat with ½" wrench.
- Remove bolts linking the back to the seat pan.
- Reposition the seat to the desired position.
- Retighten bolts on each side of the backrest pivot plate and tighten the bolts that link the back to the seat pan.

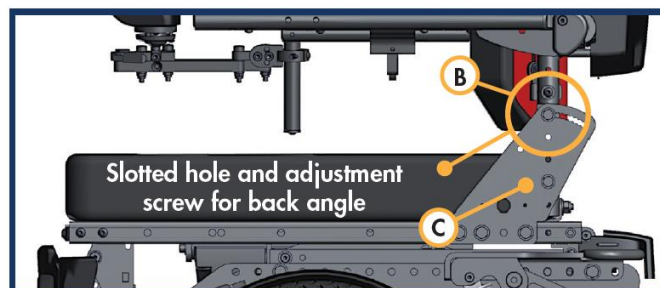
! WARNING

At all times, the three screws on each side holding the side plates must be screwed in tightly and securely in order to avoid severe injury and/or damage to the seating system.

BACK – ANGLE ADJUSTMENT

Using the series of slotted holes provided on each side plate, increase, or decrease the back angle by loosening the screw from each side plate and adjust them equally to the desired angle.

- Remove top securing bolt (B) on the side of the backrest pivot plate with 5/32" Allen key and 7/16" wrench.
- Loosen the lower rear bolt (C).
- Set at desired angle. There are ten holes (in 4° increments) to choose from.



! WARNING

At all times, the screws on each side holding the back canes must be screwed in tightly and securely in order to avoid severe injury and/or damage to the seating system.

ADJUSTING THE CENTER OF GRAVITY

Due to the variety of seat measurements and modular power options available on various power wheelchairs, **AMYLIOR** offers many adjustments to meet individual user needs.

Proper adjustment of the center of gravity is critical for patient safety and power wheelchair performance. To adjust the center of gravity, unscrew the bolts on each side of the main adaptors and adjust the system for optimal performance with ½" wrench.



! WARNING

At all times, the screws on each side holding the main system must be screwed in tightly and securely in order to avoid severe injury and/or damage to the seating system.

! WARNING

- This power wheelchair is delivered with an optimal center of gravity according to the chair's configuration.
- Before handing it over to the user, the authorized supplier and clinician must verify, while the user is sitting in the seating system, that the center of gravity and overall stability of the power wheelchair are maintained and are optimal in all combinations of tilt, recline and elevate.
- If the seat depth needs to be changed and it affects the center of gravity, please contact Amylior Technical Support to receive step by step instructions.

⊘ PROHIBITED!

NEVER adjust the center of gravity (CG) on an Alltrack power wheelchair equipped with the standing function.