

# INFORMATION BULLETIN

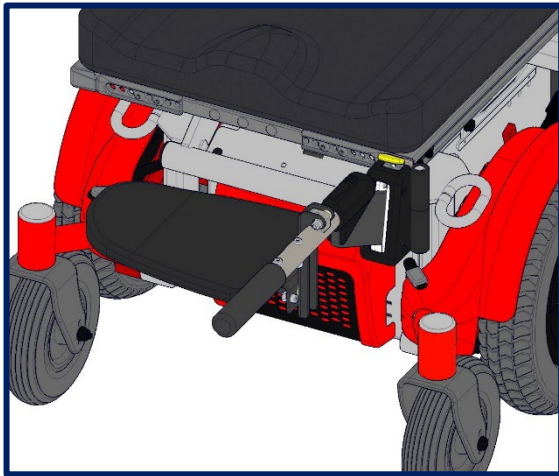
## NEW RESIDUAL LIMB SUPPORT

### INTRODUCTION

On April 1, 2024, we released a new Residual Limb Support. The change was made to offer more adjustment options for users ensuring a comfortable and secure fit tailored to various shapes and sizes.

### SIDE BY SIDE

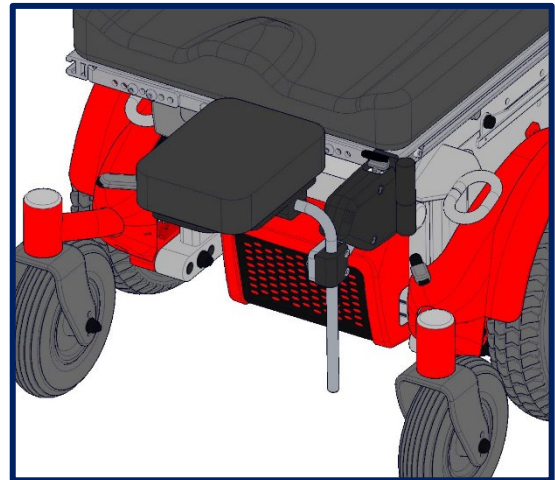
#### FORMER RESIDUAL LIMB SUPPORT



#### Features

- Adjustment options: slightly laterally, height and depth.
- Pad is smaller and harder.

#### NEW RESIDUAL LIMB SUPPORT



#### Features

- Adjustment options: Height, angle, laterally, and depth.
- Pad is softer and larger.\*
- One tool to adjust all.
- Uses the same hanger as the Signature HD swing-away footrest.

\* There are three different pad sizes (8" x 6"/205 x 150 mm, 10" x 8"/255 x 205 mm, 10" x 10"/255 x 255 mm) and the pad supplied is based upon the width of the seat chosen.

***New Residual limb Support (cont'd)*****OTHER CONSIDERATIONS****Availability and Pricing**

This Residual Limb Support is available for on-chair ordering and is identified by the code: SOAMA with a left and/or right residual limb selection. Pricing details are provided in the Order Forms. Alternatively, it can be ordered as a part (please refer to the Parts Manual) and pricing can be obtained through a Request for Quote (RFQ).

**Corresponding updates**

Order Forms remain unchanged and are currently published on our website. This item will be in the Parts Manual in its next release.

**An Instruction Guide for adjustments is on our website in the Support/For Pros/Instruction Guides section or with this link:**

<https://amylior.com/bsk-pdf-manager/adjusting-new-residual-limb-support/>