

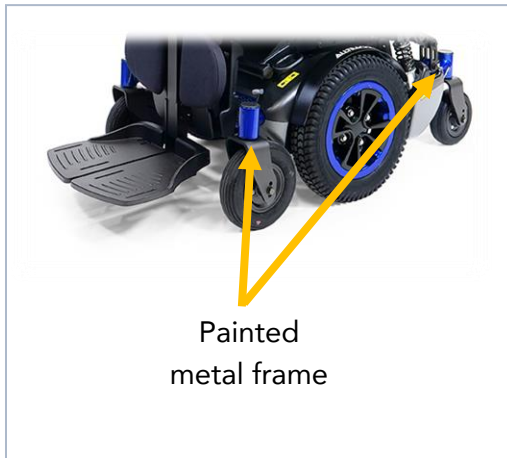
INFORMATION BULLETIN

NEW ALLTRACK COLOR SCHEME

Overview

Coming December 2020, Amylior will unveil a brand-new color scheme for the entire Alltrack line! All models will feature a sleek black frame and a vibrant new palette of painted shrouds. In addition to being more prominent, this new combination improves efficiency, reduces lead times, and offers greater flexibility. Take a look at the great new colors below and be on the lookout for more information shortly.

EXISTING



Alltrack M3 – Candy Blue

NEW



Alltrack M3 – Cobalt Blue



Alltrack R3 – Candy Red



Alltrack R3 – Candy Red

New colors:

In addition to Cobalt Blue and Candy Red from the previous page, we are adding these 6 exciting colors!



Alltrack M3 – Habanero Metallic



Alltrack HD3 – Cabernet



Alltrack P3 Rear – Sublime



Alltrack R3 – Onyx Black Matte



Alltrack P3 Mid – Bubble Gum Metallic



Alltrack M3 – Indigo

Custom hydrographic colors remain available.



Woodland Camo



Desert Digital Camo



Carbon Fiber.

FAQ

Question	Answer
Will color match accessories (headrest hardware, wheels, front battery door and select back shrouds) still be available?	No, this option is no longer available
When will these great new colors start shipping?	In the week of November 30 th , 2020
What is the last day a quote can be submitted for the traditional color scheme?	The last day for quotes of our existing colors is November 16, 2020
Will systems quoted before November 16, 2020 still receive the existing color scheme?	Yes, we will honor all existing quotes
Can I change the color of a system quoted before November 16, 2020 to the new color scheme?	Yes, it is possible
Can I get custom colored shrouds?	No, this option will not be available
How long will Amylior support replacement parts for the traditional shroud and frame colors?	5 years
Can I retrofit new colored shrouds to an existing Alltrack base?	Yes, if the base was produced July 2015 or after, the tabs and mounting are the same
Will I be able to get a painted frame in the future?	Yes, as a custom

Note: Please contact Amylior’s Customer Service for more information.