

**5.1 - STANDARD JOYSTICK MOUNTING**

**5.1.1 - SWING AWAY JOYSTICK MOUNTS**

- SWING AWAY JOYSTICK MOUNT ..... 5.1.1.1
- SWING AWAY JOYSTICK MOUNT ..... 5.1.1.2
- SWING AWAY JOYSTICK MOUNT ..... 5.1.1.3
- SWING AWAY JOYSTICK MOUNT ..... 5.1.1.4
- SWING AWAY JOYSTICK MOUNT ..... 5.1.1.5

**5.1.2 - FIXED JOYSTICK MOUNT**

- FIXED JOYSTICK MOUNT ..... 5.1.2.1
- FIXED JOYSTICK MOUNT ..... 5.1.2.2

**5.1.3 - MIDLINE JOYSTICK MOUNT**

- MIDLINE SWING AWAY JOYSTICK MOUNT ..... 5.1.3.1

**5.1.4 - ATTENDANT JOYSTICK MOUNT**

- ATTENDANT JOYSTICK MOUNT ON FIXED BACK ..... 5.1.4.1
- ATTENDANT JOYSTICK MOUNT ON RECLINNING BACK ..... 5.1.4.2

**5.1.5 - EXTERNAL DISPLAY MOUNT**

- OMNI MOUNT ..... 5.1.5.1

**5.2 - MODULE MOUNTING**

**5.2.1 - POWER MODULE MOUNTING KIT**

- POWER MODULE MOUNTING KIT ..... 5.2.1.1

**5.2.2 - SEAT CONTOLER MOUNTING KIT**

- ISM MOUNTING KIT ..... 5.2.2.1
- ISM MOUNTING KIT ..... 5.2.2.2

**5.2.3 - WIRELESS COMMUNICATION DEVICE MOUNTING KIT**

- BLUETOOTH MODULE MOUNTING KIT ..... 5.2.3.1

**5.2.4 - ENVIRONMENTAL CONTROL UNIT MOUNTING KIT**

- IOM MOUNTING KIT ..... 5.2.4.1

**5.2.5 - ACCESSORY MODULE MOUNTING KIT**

- SWITCH INPUT MODULE MOUNTING KIT ..... 5.2.5.1

**5.2.6 - LIGHT MODULE MOUNTING KIT**

- LIGHT MODULE MOUNTING KIT - FIXED WITH ELECTRONICS ..... 5.2.6.1
- LIGHT MODULE MOUNTING - POWER RECLINE ..... 5.2.6.2
- LIGHT MODULE MOUNTING KIT - FIXED WITHOUT ELECTRONICS ..... 5.2.6.3

**5.3 - SPECIALTY INPUT DEVICE MOUNTING KIT**

**5.3.1 - SIP-N-PUFF**

- SIP-N-PUFF BACK CANE MOUNT ..... 5.3.1.1
- SIP-N-PUFF HEAD REST MOUNT ..... 5.3.1.2

**5.3.2 - HEAD ARRAY MOUNTING**

- SWITCH IT HEAD ARRAY MOUNTING ..... 5.3.2.1

**5.3.3 - PROPORTIONNAL HEAD CONTROL MOUNTING**

- PROPORTIONNAL RIM CONTROL MOUNTING ..... 5.3.3.1

**5.3.4 - MICRO-JOYSTICK CHIN MOUNTING**

- SWITCH IT MICRO-PILOT JOYSTICK CHIN MOUNT ..... 5.3.4.1

**5.3.6 - MICRO-JOYSTICK MIDLINE MOUNT**

- MIDLINE SWING AWAY MOUNT FOR SWITCH IT MICRO-PILOT ..... 5.3.6.1

**5.3.7 - MICRO-JOYSTICK MIDLINE MOUNT**

- MIDLINE SWING AWAY MOUNT FOR JC200 ..... 5.3.7.1

**5.4 - LIGHT MOUNTS**

**5.4.1 - FRONT LIGHTS**

- CONFIGURATION: STANDARD LEG REST ..... 5.4.1.1
- CONFIGURATION: HD LEG REST ..... 5.4.1.2
- CONFIGURATION: POWER ELEVATING LEG REST ..... 5.4.1.3
- CONFIGURATION: CENTER MOUNT FOOTBOARD ..... 5.4.1.4
- CONFIGURATIONS: STANDARD LEG REST, HD LEG REST, POWER ELEVATING LEG REST, CENTER MOUNT FOOTBOARD ..... 5.4.1.5
- CONFIGURATION: ELEVATING LEG REST ..... 5.4.1.6
- CONFIGURATION: STANDING KNEE SUPPORT ..... 5.4.1.7

**5.4.2 - SIDES MARKERS**

- CONFIGURATION: DUAL POST ARM REST ..... 5.4.2.1
- CONFIGURATION: CANTILEVER AND RECLINING ARM RESTS ..... 5.4.2.2

**5.4.3 - REAR LIGHTS**

- CONFIGURATION: REAR POSITION LIGHT ..... 5.4.3.1
- CONFIGURATION: REAR POSITION LIGHT ..... 5.4.3.2

**5.5 - SWITCH MOUNTS**

**5.5.1 - XTERNAL SWITCH MOUNTING KIT**

- EXTERNAL SWITCH MOUNTING KIT ..... 5.5.1.1
- KEYPAD MOUNTING KIT ..... 5.5.1.2
- TOGGLE SWITCH INSTALLATION ON OPPOSITE SIDE OF JOYSTICK ..... 5.5.1.3
- KEYPAD INSTALLATION ON OPPOSITE SIDE OF JOYSTICK ..... 5.5.1.4

**5.6 - AFTERMARKET BACK HARDWARE**

**5.6.1 - AFTERMARKET BACK HARDWARE**

- AFTERMARKET BACK HARDWARE, KIT 01 - **New** ..... 5.6.1.1
- AFTERMARKET BACK HARDWARE, KIT 02 - **New** ..... 5.6.1.2
- AFTERMARKET BACK HARDWARE, KIT 03 - **New** ..... 5.6.1.3
- AFTERMARKET BACK HARDWARE, KIT 04 - **New** ..... 5.6.1.4
- AFTERMARKET BACK HARDWARE, KIT 05 - **New** ..... 5.6.1.5
- AFTERMARKET BACK HARDWARE, KIT 06 - **New** ..... 5.6.1.6
- AFTERMARKET BACK HARDWARE, KIT 07 - **New** ..... 5.6.1.7
- AFTERMARKET BACK HARDWARE, KIT 08 - **New** ..... 5.6.1.8

LEGEND

**CURRENT**

- These parts and assemblies are currently being produced and delivered.\*

**SERVICEABLE PARTS**

- These parts and assemblies are not currently being produced or delivered on new chairs, but they are available as replacement service parts.\*

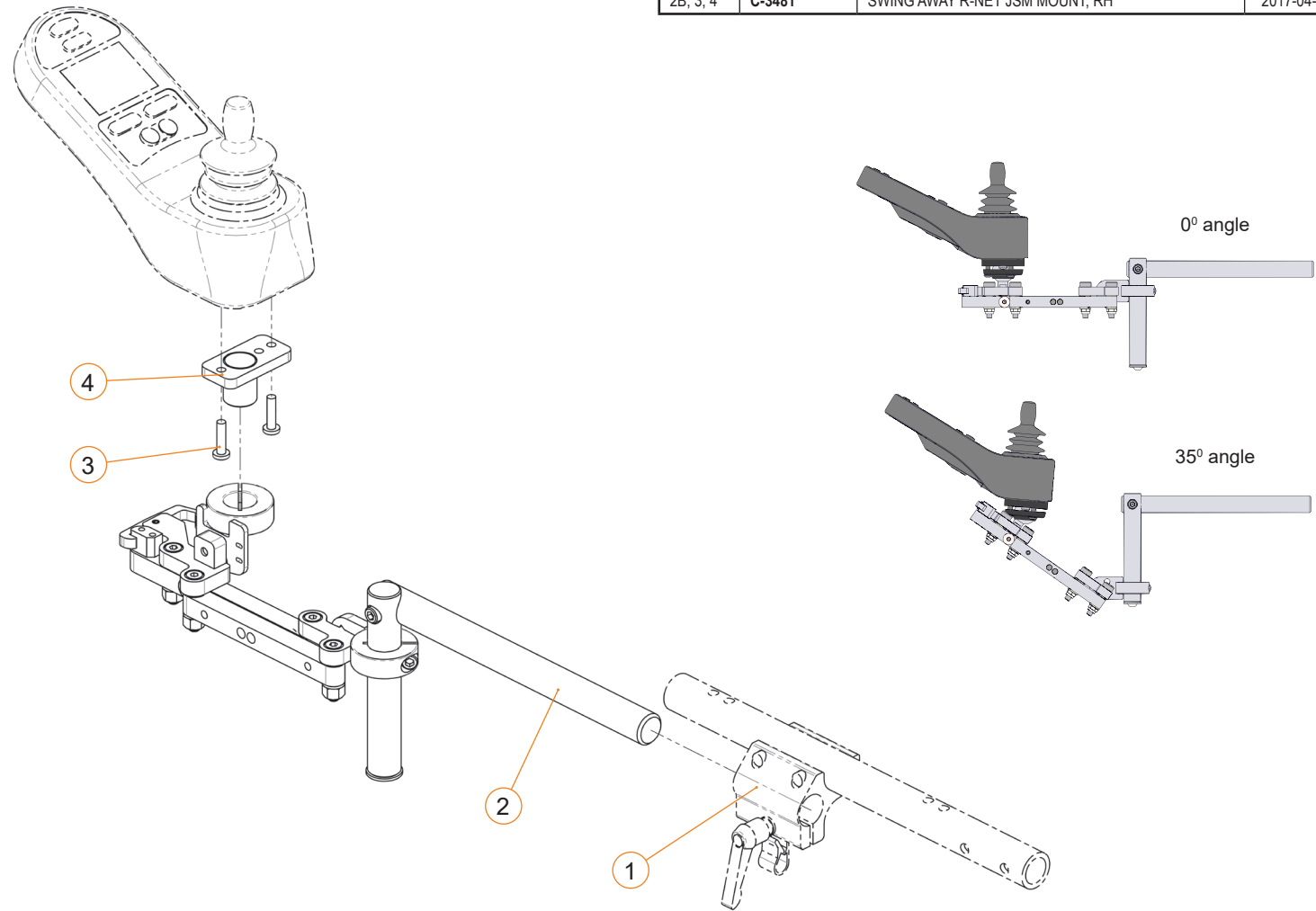
**DISCONTINUED**

- These parts and assemblies are no longer being produced or delivered on new chairs, and they are not available as replacement service parts.\*

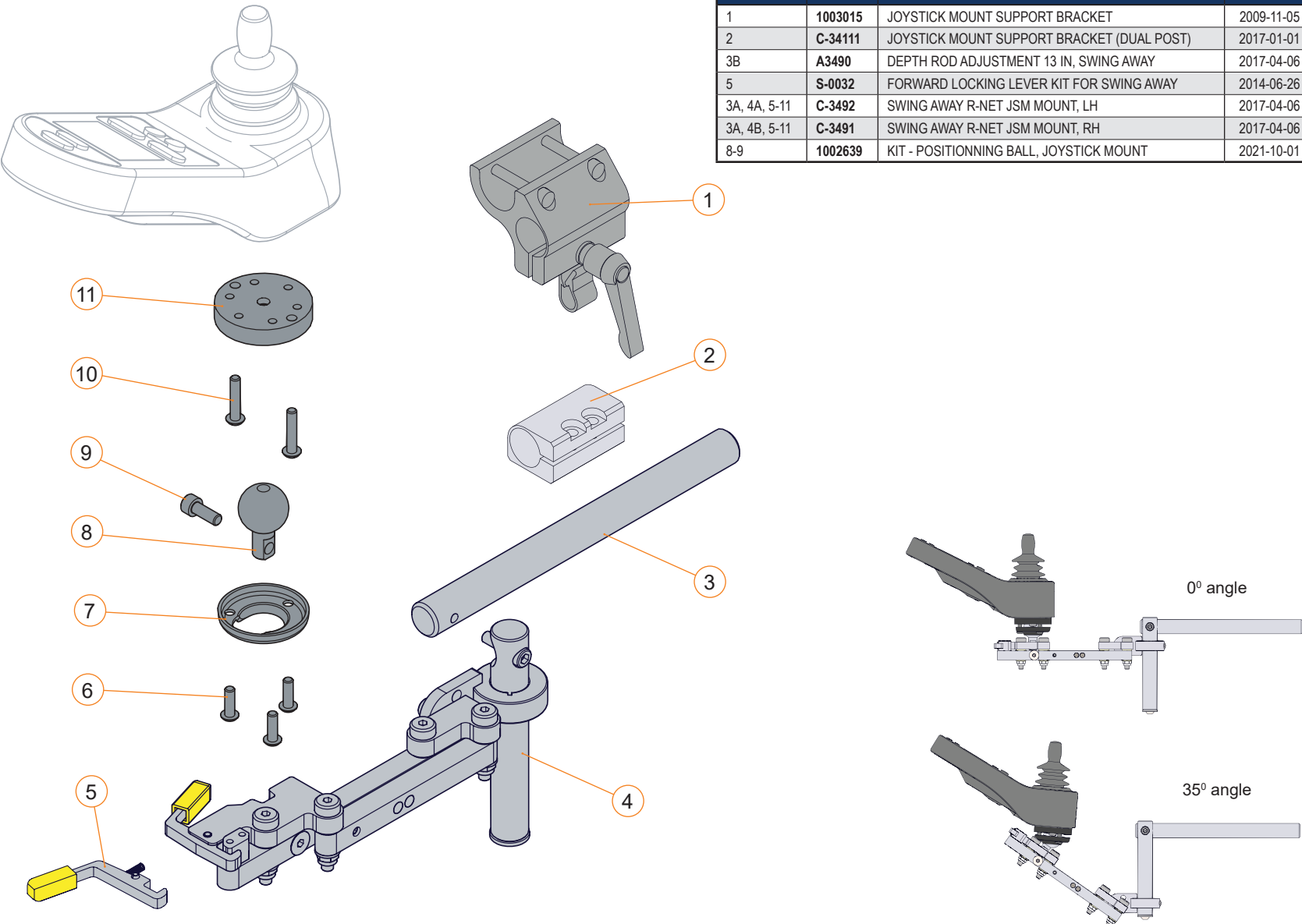
\* Please contact Technical Support for information on the replacement parts and assemblies.

SWING AWAY JOYSTICK MOUNTS - SECTION 5.1.1

SWING AWAY JOYSTICK MOUNT			
ITEM #	PART #	DESCRIPTION	PRIOR TO
1	920713-SPC	JOYSTICK MOUNT SUPPORT BRACKET	2009-11-05
2A, 3, 4	C-3482	SWING AWAY R-NET JSM MOUNT, LH	2017-04-06
2B, 3, 4	C-3481	SWING AWAY R-NET JSM MOUNT, RH	2017-04-06



SWING AWAY JOYSTICK MOUNTS - SECTION 5.1.1

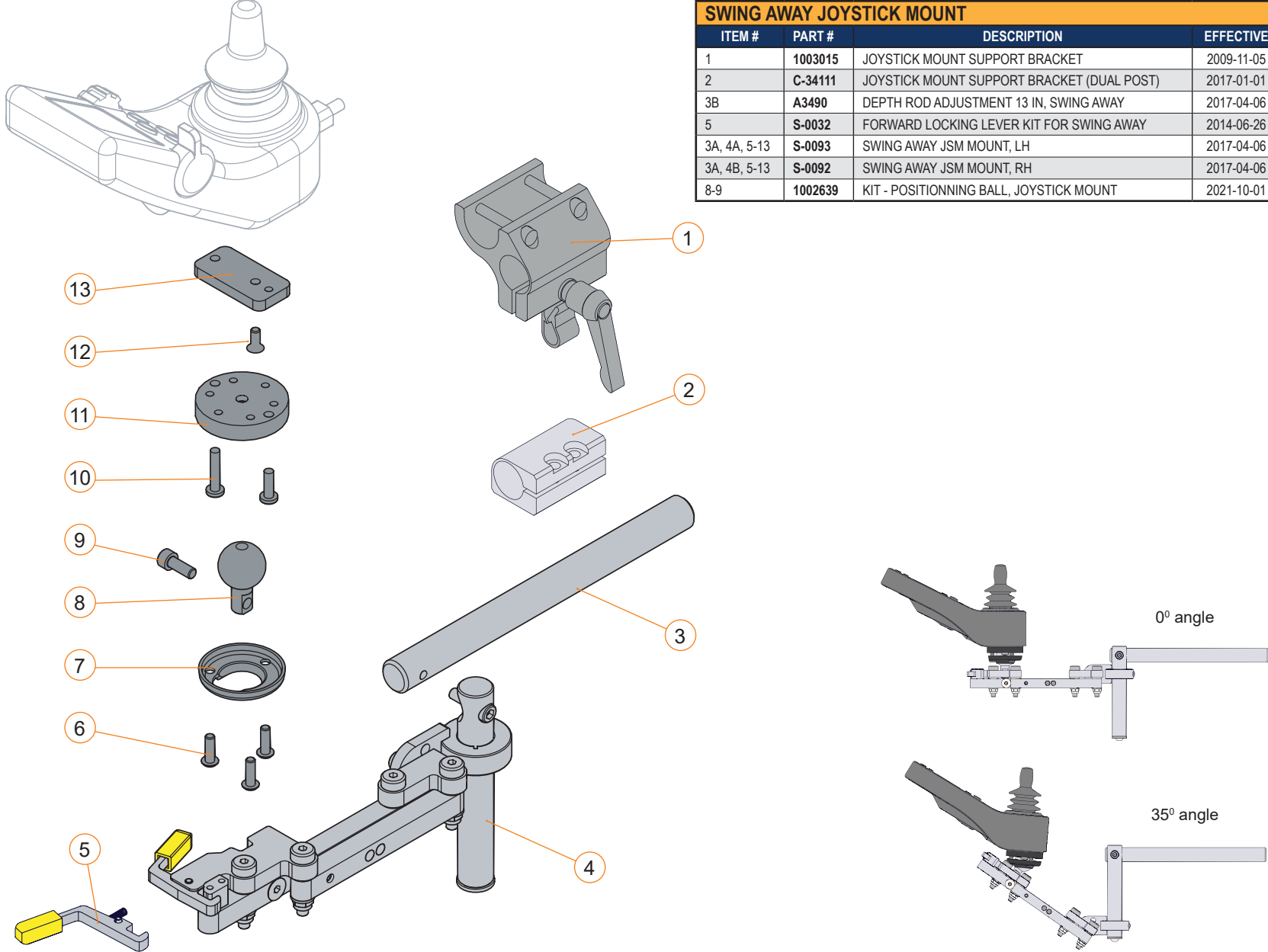


SWING AWAY JOYSTICK MOUNT			
ITEM #	PART #	DESCRIPTION	EFFECTIVE
1	1003015	JOYSTICK MOUNT SUPPORT BRACKET	2009-11-05
2	C-34111	JOYSTICK MOUNT SUPPORT BRACKET (DUAL POST)	2017-01-01
3B	A3490	DEPTH ROD ADJUSTMENT 13 IN, SWING AWAY	2017-04-06
5	S-0032	FORWARD LOCKING LEVER KIT FOR SWING AWAY	2014-06-26
3A, 4A, 5-11	C-3492	SWING AWAY R-NET JSM MOUNT, LH	2017-04-06
3A, 4B, 5-11	C-3491	SWING AWAY R-NET JSM MOUNT, RH	2017-04-06
8-9	1002639	KIT - POSITIONNING BALL, JOYSTICK MOUNT	2021-10-01

SWING AWAY JOYSTICK MOUNTS - SECTION 5.1.1

SWING AWAY JOYSTICK MOUNT			
ITEM #	PART #	DESCRIPTION	EFFECTIVE
1	1003015	JOYSTICK MOUNT SUPPORT BRACKET	2009-11-05
2	C-34111	JOYSTICK MOUNT SUPPORT BRACKET (DUAL POST)	2017-01-01
3	1005369	KIT, JOYSTICK MOUNT SUPPORT BRACKET, SIGNATURE	2025-06-23
4B	A3490	DEPTH ROD ADJUSTMENT 13 IN, SWING AWAY	2017-04-06
6	S-0032	FORWARD LOCKING LEVER KIT FOR SWING AWAY	2014-06-26
4A, 5A, 7-13	1004795	RH SWING AWAY JOYSTICK MOUNT	2024-04-01
4A, 5B, 7-13	1004796	LH SWING AWAY JOYSTICK MOUNT	2024-04-01
4A, 5A, 8-13	1004798	RH SWING AWAY JOYSTICK MOUNT, MAGNETIC HOLD	2024-04-01
4A, 5B, 8-13	1004799	LH SWING AWAY JOYSTICK MOUNT, MAGNETIC HOLD	2024-04-01
10, 11	1004794	KIT - POSITIONING BALL, JOYSTICK REMOTE	2024-04-01

SWING AWAY JOYSTICK MOUNTS - SECTION 5.1.1



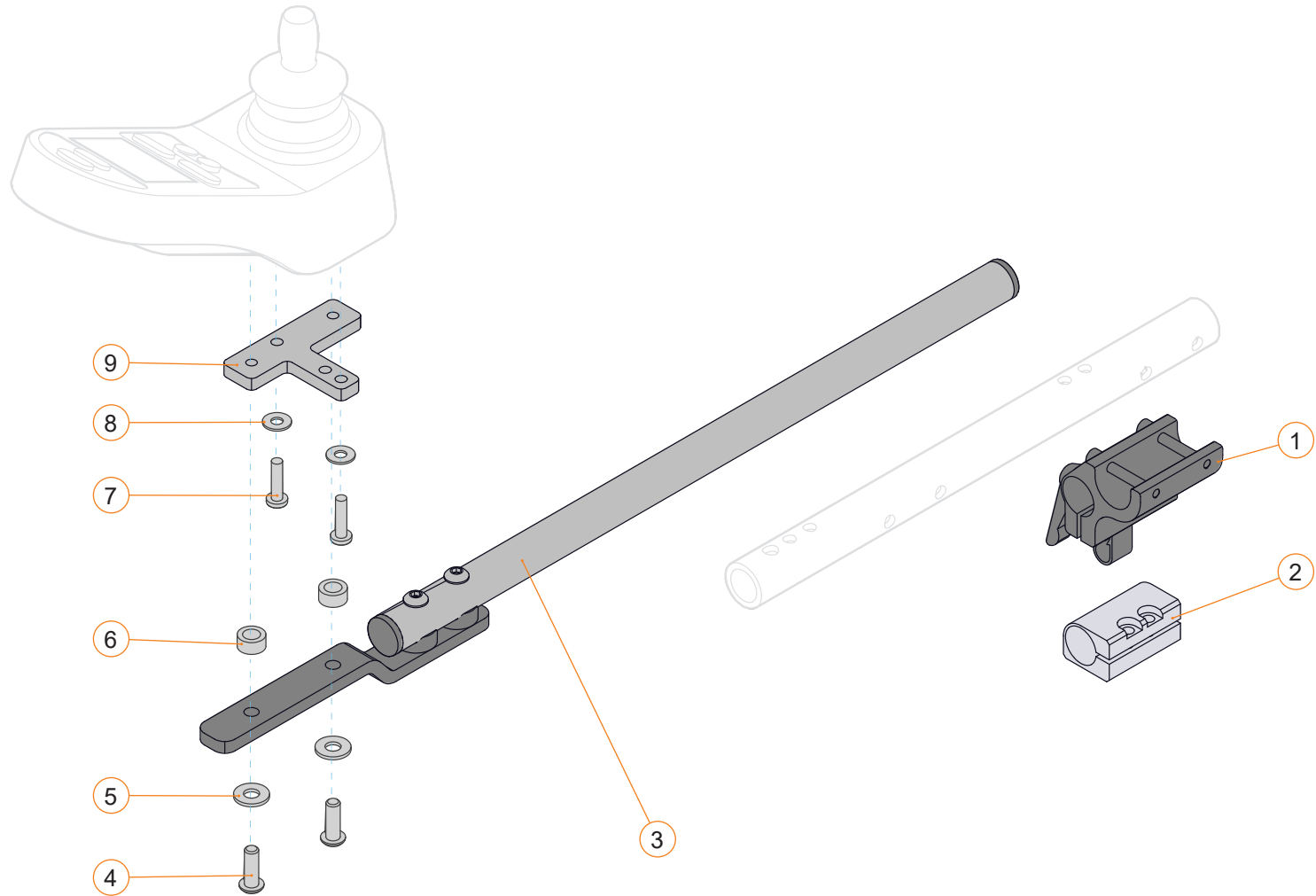
SWING AWAY JOYSTICK MOUNT			
ITEM #	PART #	DESCRIPTION	EFFECTIVE
1	1003015	JOYSTICK MOUNT SUPPORT BRACKET	2009-11-05
2	C-34111	JOYSTICK MOUNT SUPPORT BRACKET (DUAL POST)	2017-01-01
3B	A3490	DEPTH ROD ADJUSTMENT 13 IN, SWING AWAY	2017-04-06
5	S-0032	FORWARD LOCKING LEVER KIT FOR SWING AWAY	2014-06-26
3A, 4A, 5-13	S-0093	SWING AWAY JSM MOUNT, LH	2017-04-06
3A, 4B, 5-13	S-0092	SWING AWAY JSM MOUNT, RH	2017-04-06
8-9	1002639	KIT - POSITIONNING BALL, JOYSTICK MOUNT	2021-10-01

SWING AWAY JOYSTICK MOUNTS - SECTION 5.1.1

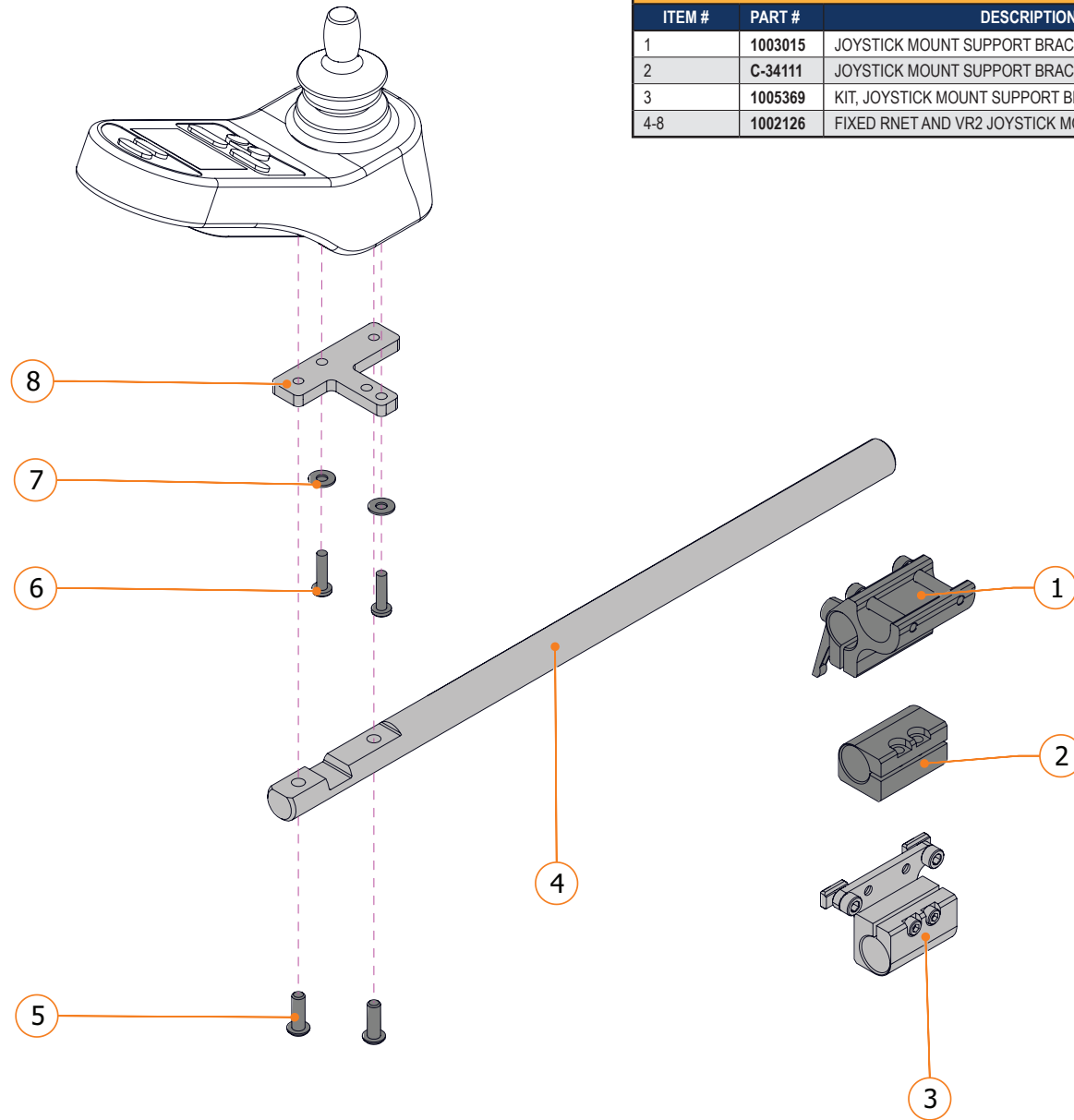
SWING AWAY JOYSTICK MOUNT			
ITEM #	PART #	DESCRIPTION	EFFECTIVE
1	1003015	JOYSTICK MOUNT SUPPORT BRACKET	2009-11-05
2	C-34111	JOYSTICK MOUNT SUPPORT BRACKET (DUAL POST)	2017-01-01
3	1005369	KIT, JOYSTICK MOUNT SUPPORT BRACKET, SIGNATURE	2025-06-23
4B	A3490	DEPTH ROD ADJUSTMENT 13 IN, SWING AWAY	2017-04-06
6	S-0032	FORWARD LOCKING LEVER KIT FOR SWING AWAY	2014-06-26
4A, 5A, 7-15	S-0092	RH SWING AWAY JOYSTICK MOUNT	2024-04-01
4A, 5B, 7-15	S-0093	LH SWING AWAY JOYSTICK MOUNT	2024-04-01
4A, 5A, 8-15	1004803	SWING AWAY JSM MOUNT, MAG HOLD, RH	2024-04-01
4A, 5B, 8-15	1004804	SWING AWAY JSM MOUNT, MAG HOLD, LH	2024-04-01
10, 11	1004794	REINFORCED JOYSTICK POSITIONING BALL	2024-04-01

**FIXED JOYSTICK MOUNT - SECTION 5.1.2**

FIXED JOYSTICK MOUNT			
ITEM #	PART #	DESCRIPTION	PRIOR TO
1	1003015	JOYSTICK MOUNT SUPPORT BRACKET	2009-11-05
2	C-34111	JOYSTICK MOUNT SUPPORT BRACKET (DUAL POST)	2017-01-01
3-9	C-3427	FIXED RNET AND VR2 JOYSTICK MOUNT	2020-11-24

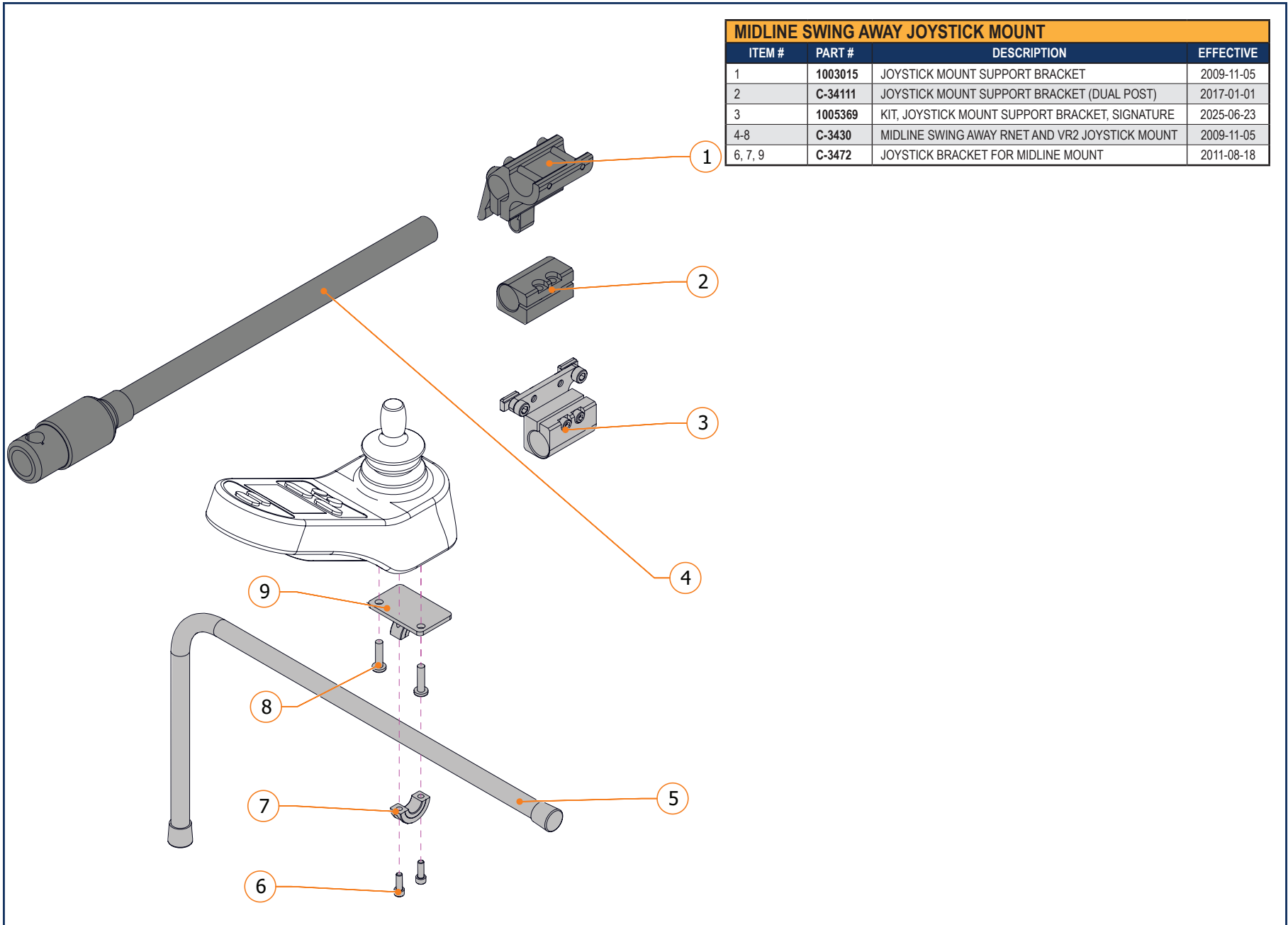


FIXED JOYSTICK MOUNT - SECTION 5.1.2



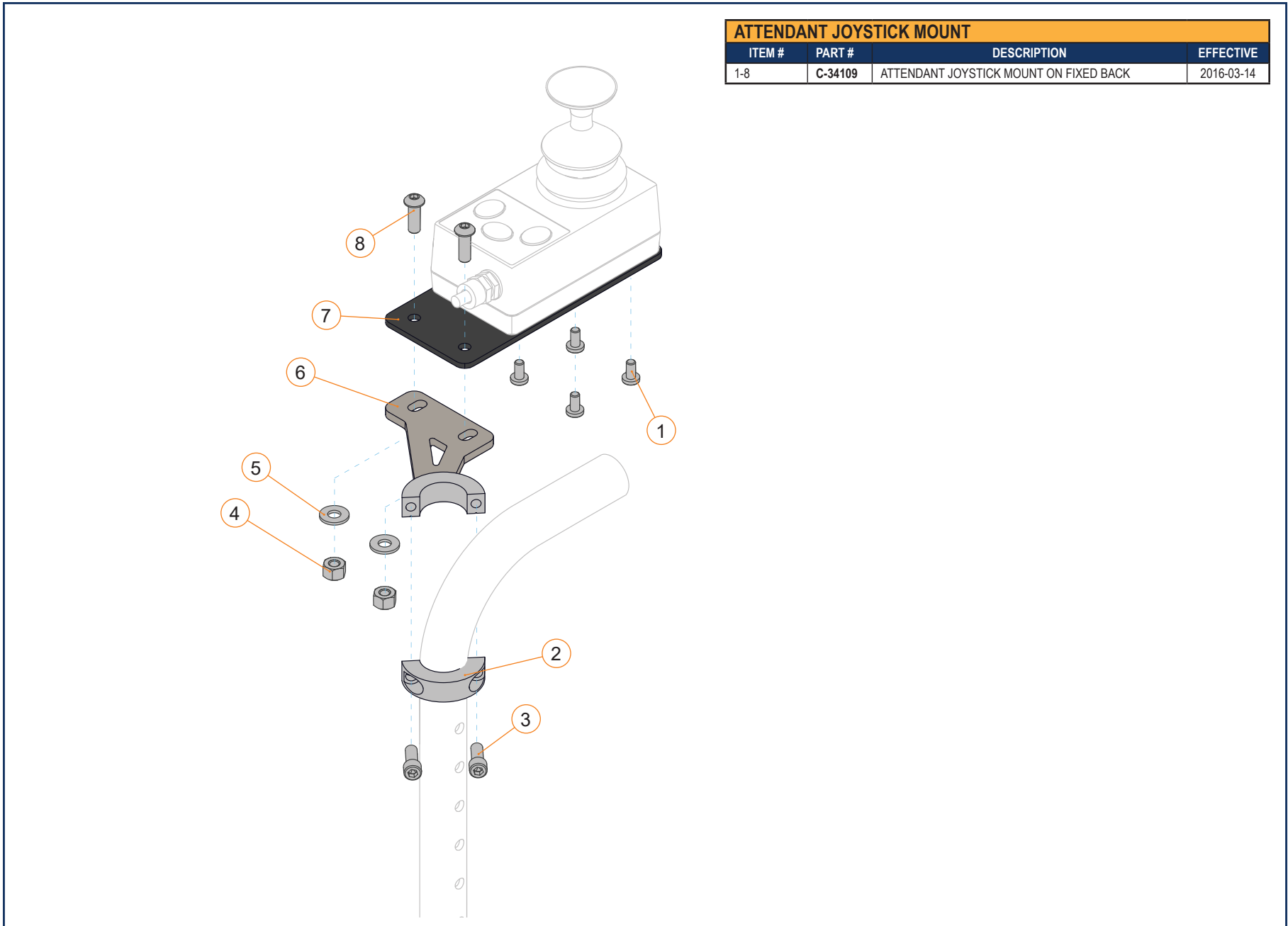
FIXED JOYSTICK MOUNT			
ITEM #	PART #	DESCRIPTION	EFFECTIVE
1	1003015	JOYSTICK MOUNT SUPPORT BRACKET	2009-11-05
2	C-34111	JOYSTICK MOUNT SUPPORT BRACKET (DUAL POST)	2017-01-01
3	1005369	KIT, JOYSTICK MOUNT SUPPORT BRACKET, SIGNATURE	2025-06-23
4-8	1002126	FIXED RNET AND VR2 JOYSTICK MOUNT	2020-11-24

MIDLINE JOYSTICK MOUNT - SECTION 5.1.3



MIDLINE SWING AWAY JOYSTICK MOUNT			
ITEM #	PART #	DESCRIPTION	EFFECTIVE
1	1003015	JOYSTICK MOUNT SUPPORT BRACKET	2009-11-05
2	C-34111	JOYSTICK MOUNT SUPPORT BRACKET (DUAL POST)	2017-01-01
3	1005369	KIT, JOYSTICK MOUNT SUPPORT BRACKET, SIGNATURE	2025-06-23
4-8	C-3430	MIDLINE SWING AWAY RNET AND VR2 JOYSTICK MOUNT	2009-11-05
6, 7, 9	C-3472	JOYSTICK BRACKET FOR MIDLINE MOUNT	2011-08-18

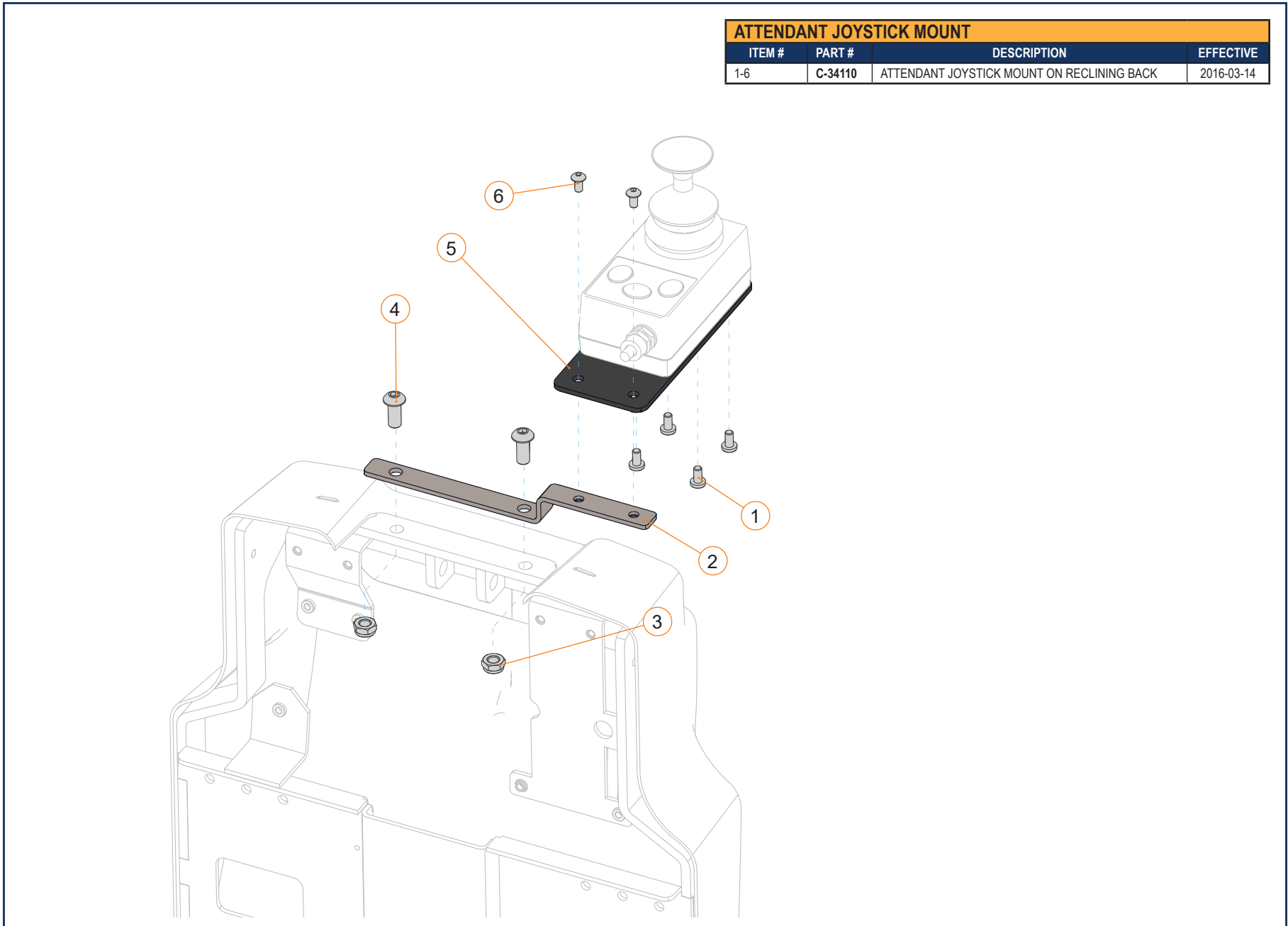
ATTENDANT JOYSTICK MOUNT - SECTION 5.1.4



ATTENDANT JOYSTICK MOUNT			
ITEM #	PART #	DESCRIPTION	EFFECTIVE
1-8	C-34109	ATTENDANT JOYSTICK MOUNT ON FIXED BACK	2016-03-14

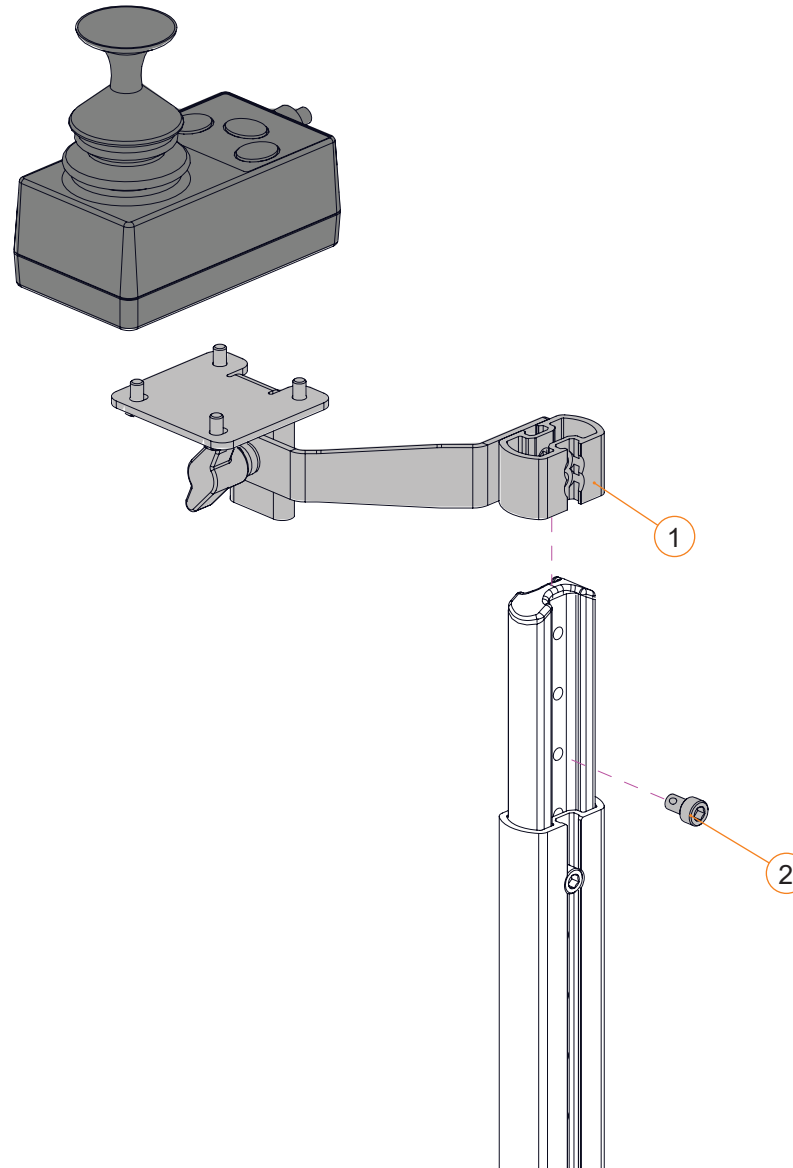
ATTENDANT JOYSTICK MOUNT - SECTION 5.1.4

ATTENDANT JOYSTICK MOUNT			
ITEM #	PART #	DESCRIPTION	EFFECTIVE
1-6	C-34110	ATTENDANT JOYSTICK MOUNT ON RECLINING BACK	2016-03-14



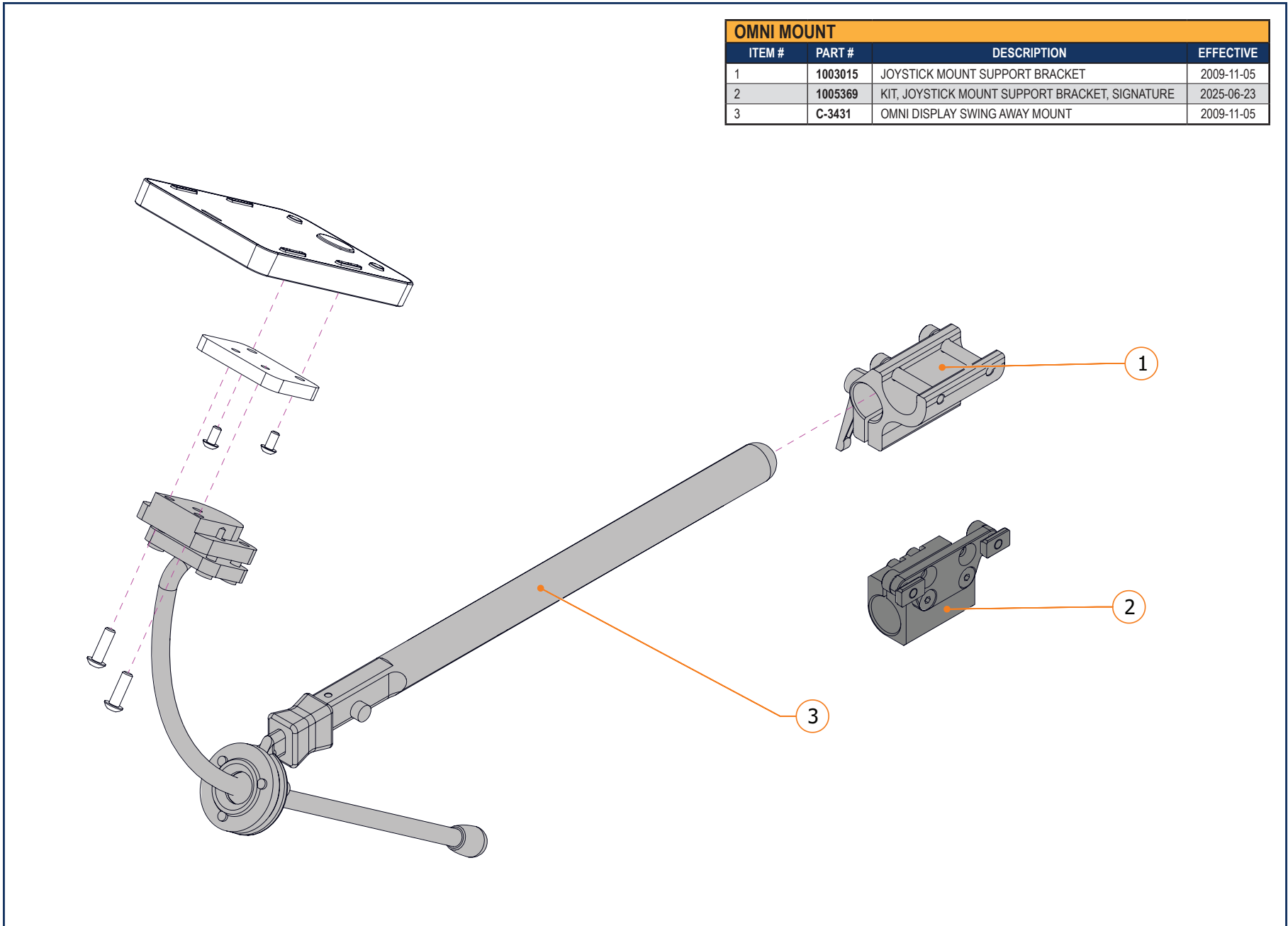
ATTENDANT JOYSTICK MOUNT - SECTION 5.1.4

ATTENDANT JOYSTICK MOUNT SIGNATURE			
ITEM #	PART #	DESCRIPTION	EFFECTIVE
1, 2	1005343	STS, ATTENDANT JOYSTICK MOUNT	2025-06-26

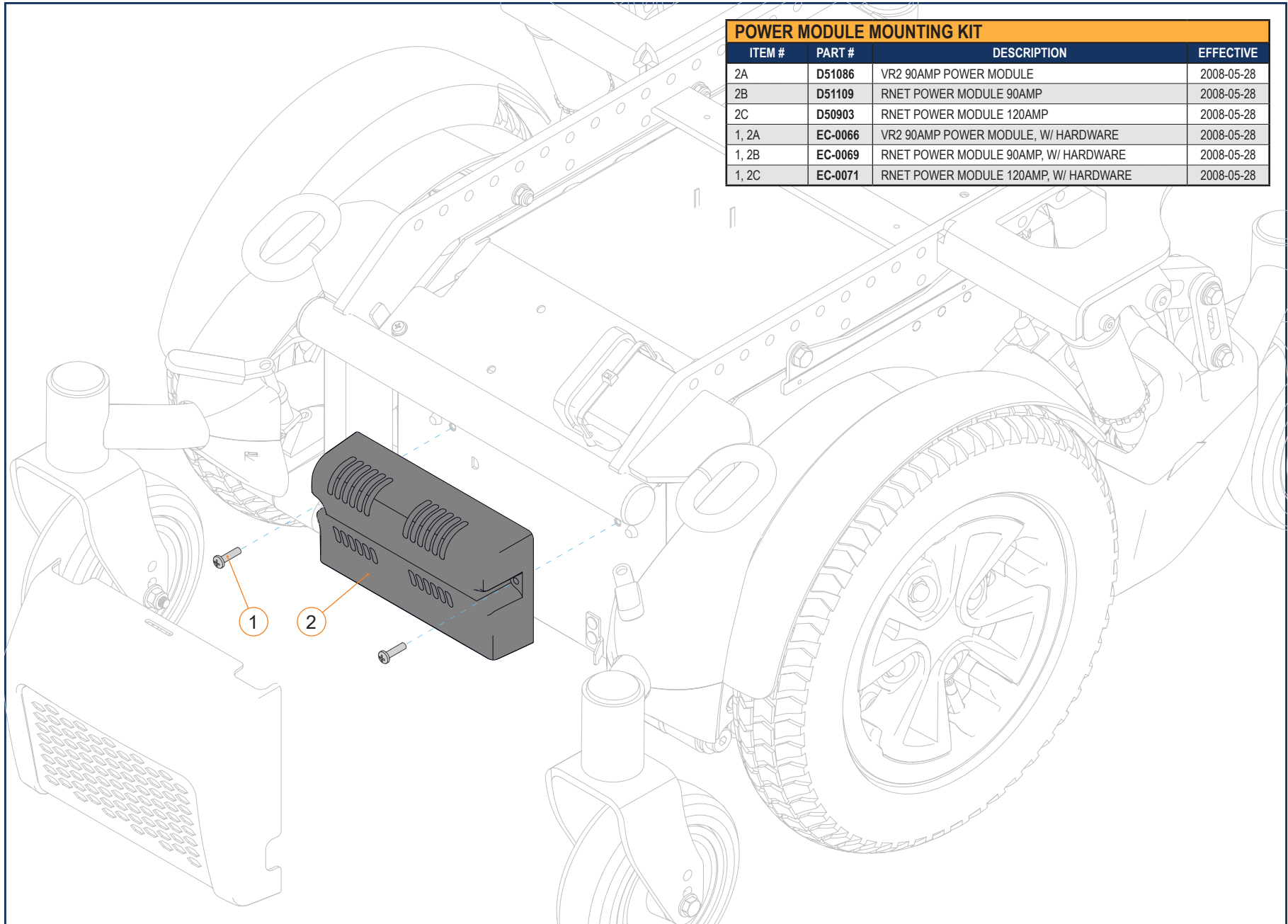


EXTERNAL DISPLAY MOUNT - SECTION 5.1.5

OMNI MOUNT			
ITEM #	PART #	DESCRIPTION	EFFECTIVE
1	1003015	JOYSTICK MOUNT SUPPORT BRACKET	2009-11-05
2	1005369	KIT, JOYSTICK MOUNT SUPPORT BRACKET, SIGNATURE	2025-06-23
3	C-3431	OMNI DISPLAY SWING AWAY MOUNT	2009-11-05

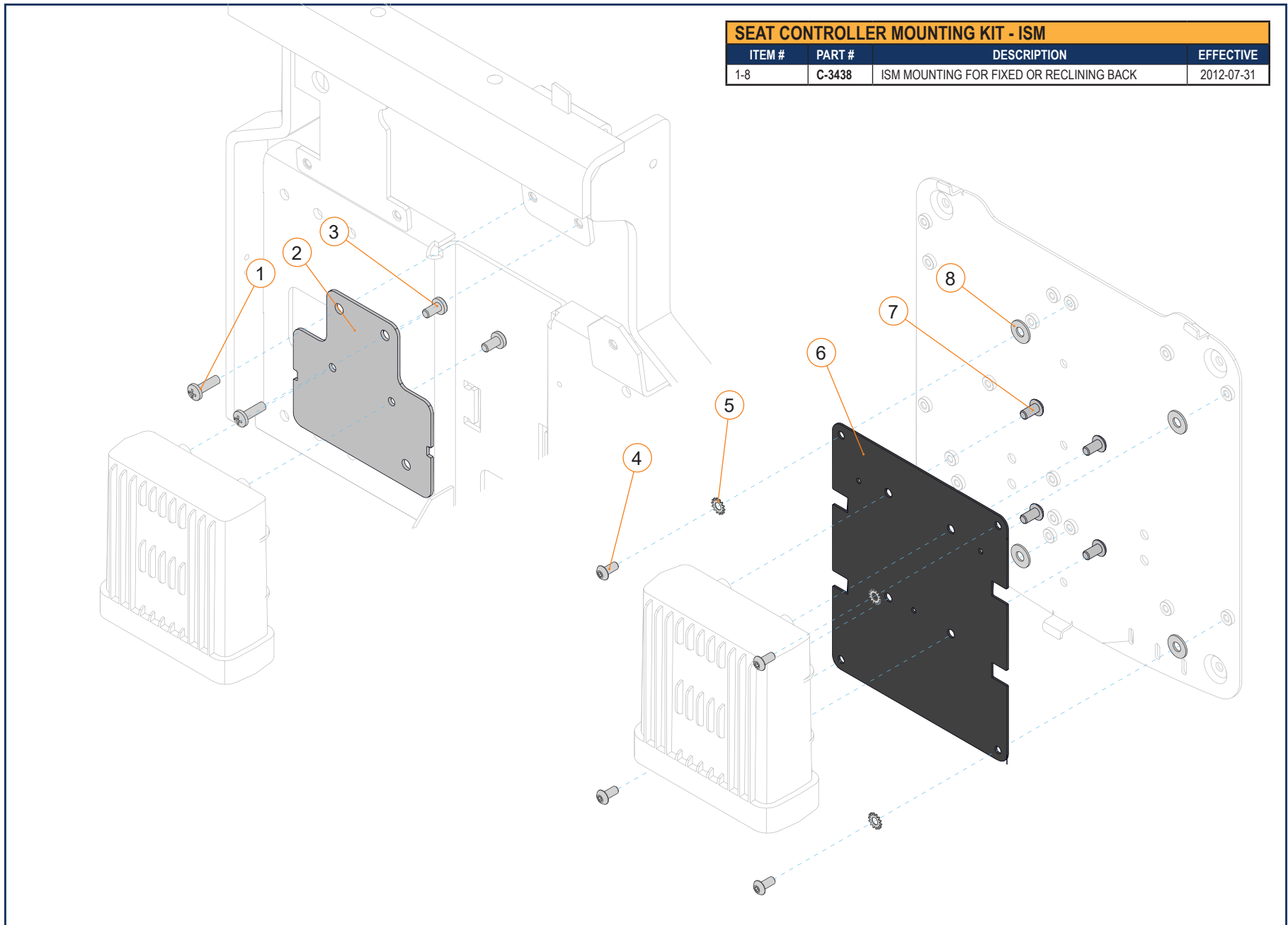


POWER MODULE MOUNTING KIT - SECTION 5.2.1



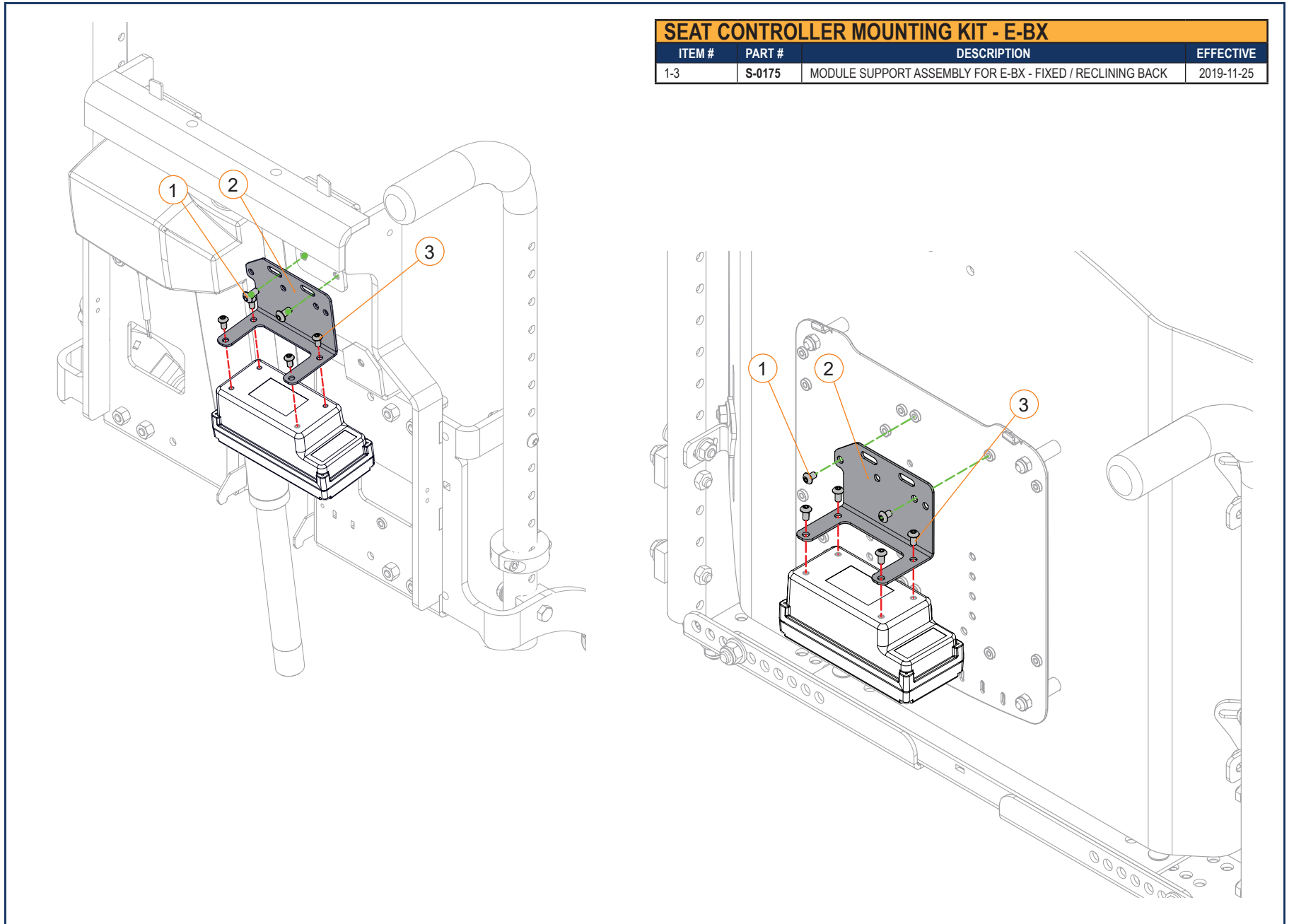
POWER MODULE MOUNTING KIT			
ITEM #	PART #	DESCRIPTION	EFFECTIVE
2A	D51086	VR2 90AMP POWER MODULE	2008-05-28
2B	D51109	RNET POWER MODULE 90AMP	2008-05-28
2C	D50903	RNET POWER MODULE 120AMP	2008-05-28
1, 2A	EC-0066	VR2 90AMP POWER MODULE, W/ HARDWARE	2008-05-28
1, 2B	EC-0069	RNET POWER MODULE 90AMP, W/ HARDWARE	2008-05-28
1, 2C	EC-0071	RNET POWER MODULE 120AMP, W/ HARDWARE	2008-05-28

SEAT CONTROLLER MOUNTING KIT - SECTION 5.2.2



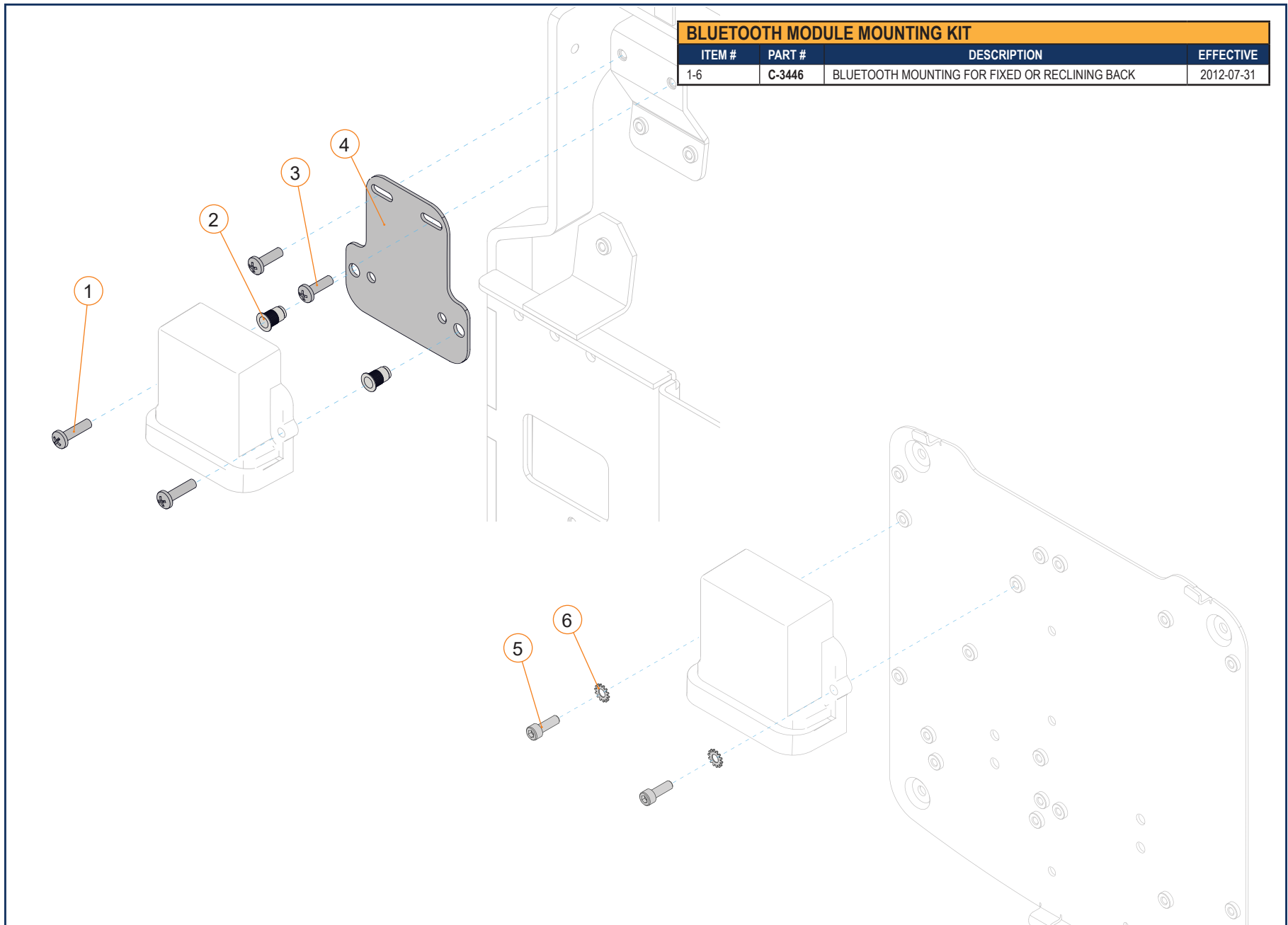
SEAT CONTROLLER MOUNTING KIT - ISM			
ITEM #	PART #	DESCRIPTION	EFFECTIVE
1-8	C-3438	ISM MOUNTING FOR FIXED OR RECLINING BACK	2012-07-31

SEAT CONTROLLER MOUNTING KIT - SECTION 5.2.2



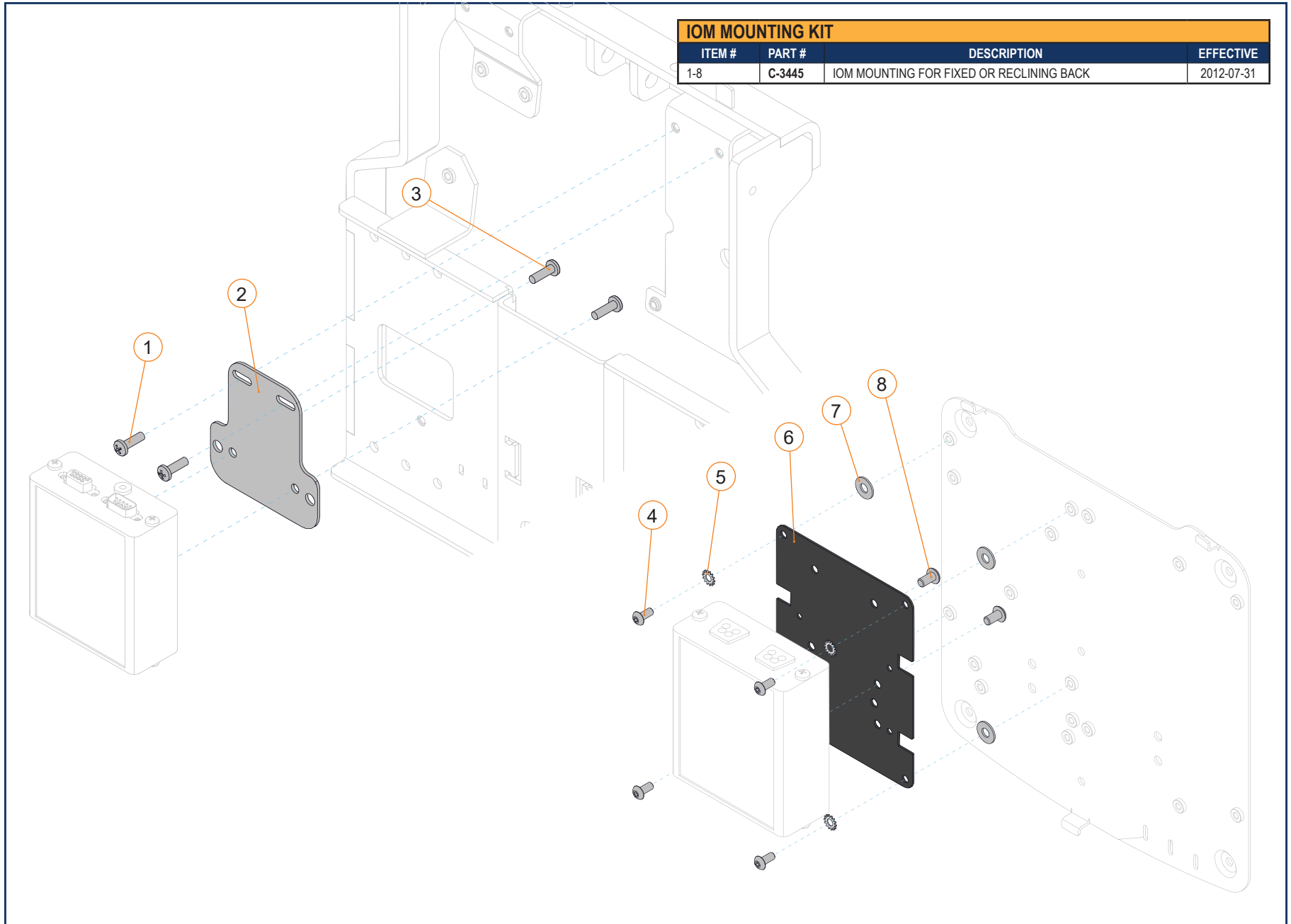
SEAT CONTROLLER MOUNTING KIT - E-BX			
ITEM #	PART #	DESCRIPTION	EFFECTIVE
1-3	S-0175	MODULE SUPPORT ASSEMBLY FOR E-BX - FIXED / RECLINING BACK	2019-11-25

WIRELESS COMMUNICATION KIT - SECTION 5.2.3



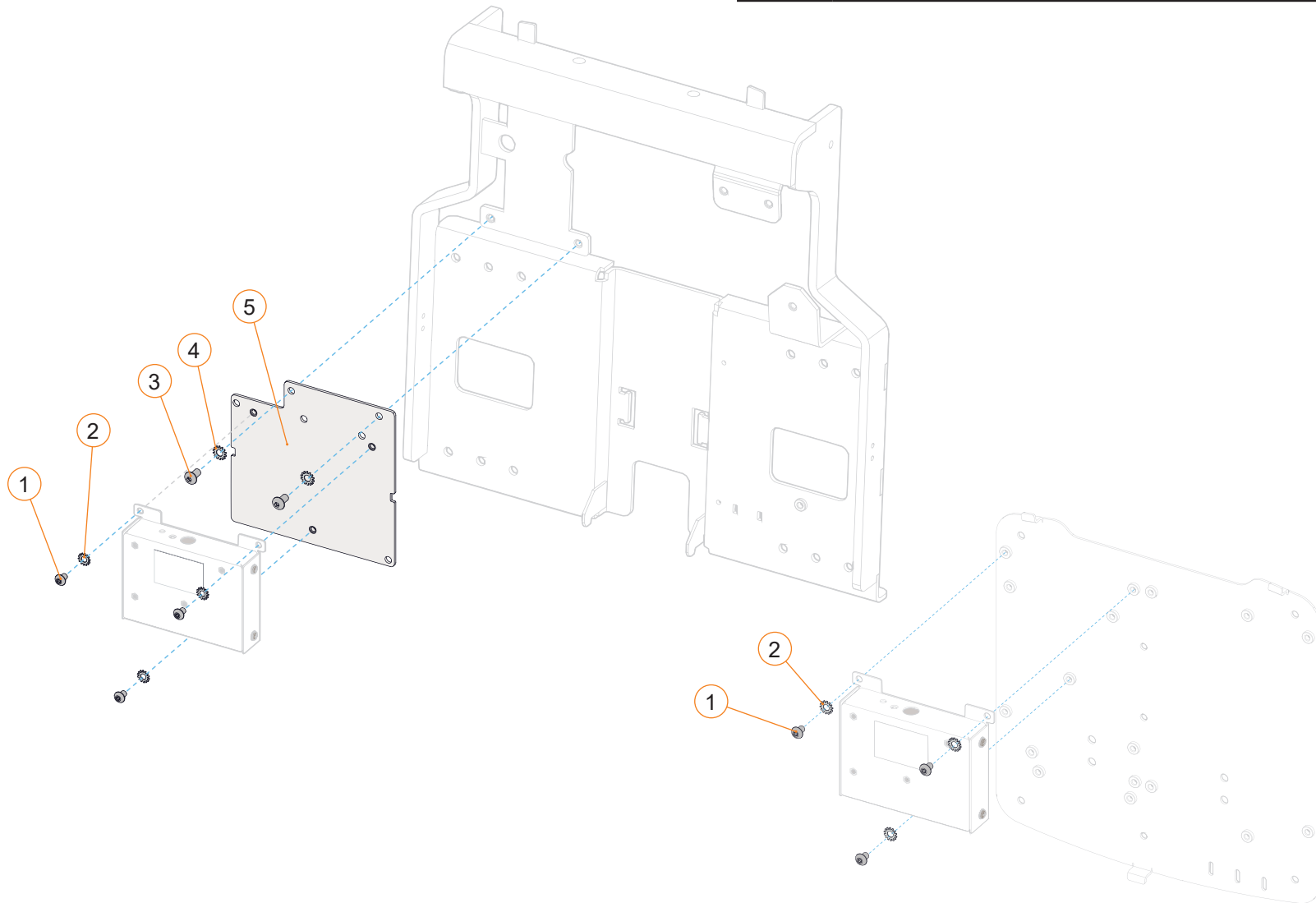
5.2.3.1

## ECU MOUNTING KIT - SECTION 5.2.4

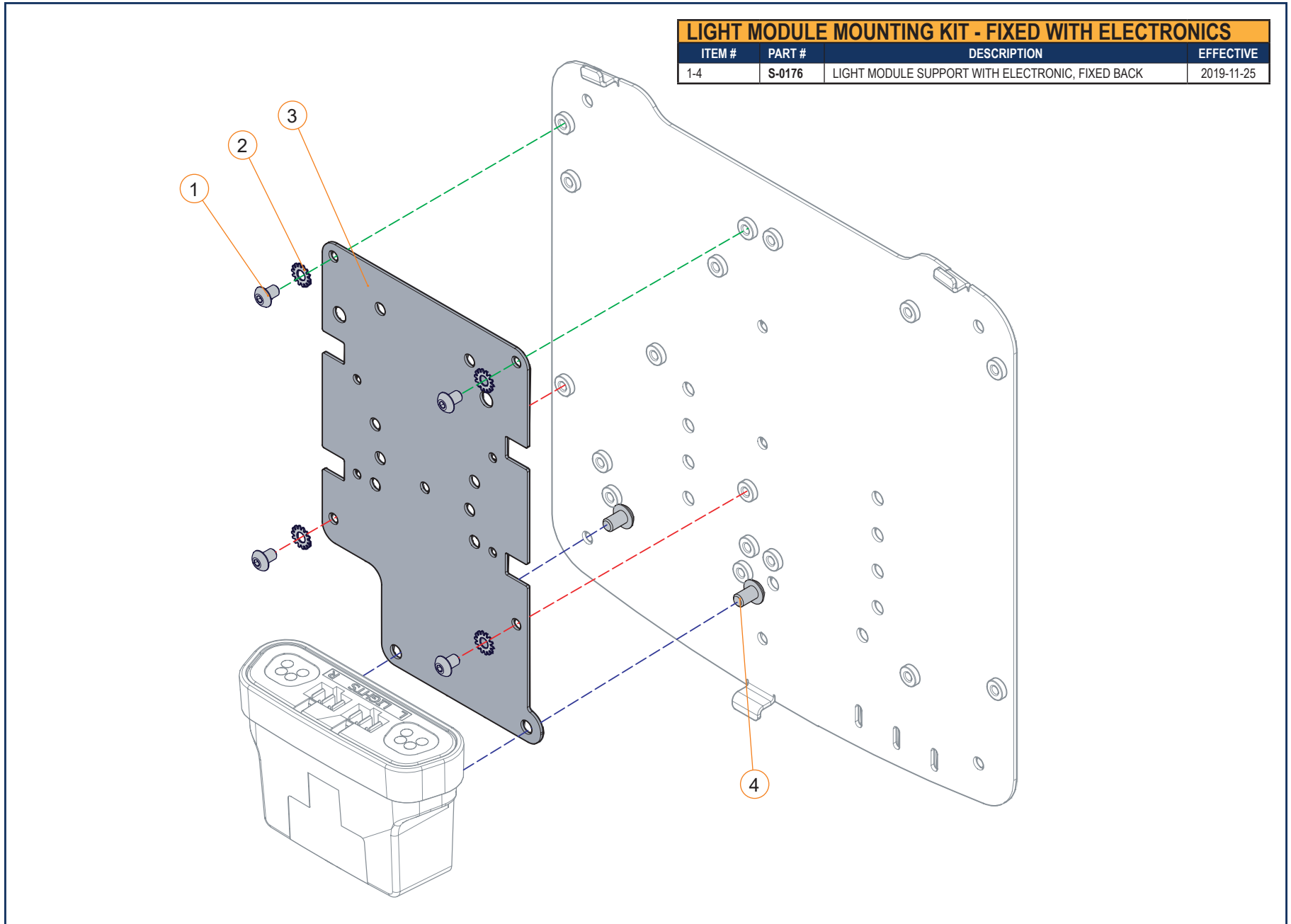


ACCESSORY MODULE MOUNTING KIT - SECTION 5.2.5

SWITCH INPUT MODULE MOUNTING KIT			
ITEM #	PART #	DESCRIPTION	EFFECTIVE
1-5	C-3507	SWITCH INPUT MOD MOUNTING FOR FIXED OR RECL BACK	2016-01-26



LIGHT MODULE MOUNTING KIT - SECTION 5.2.6

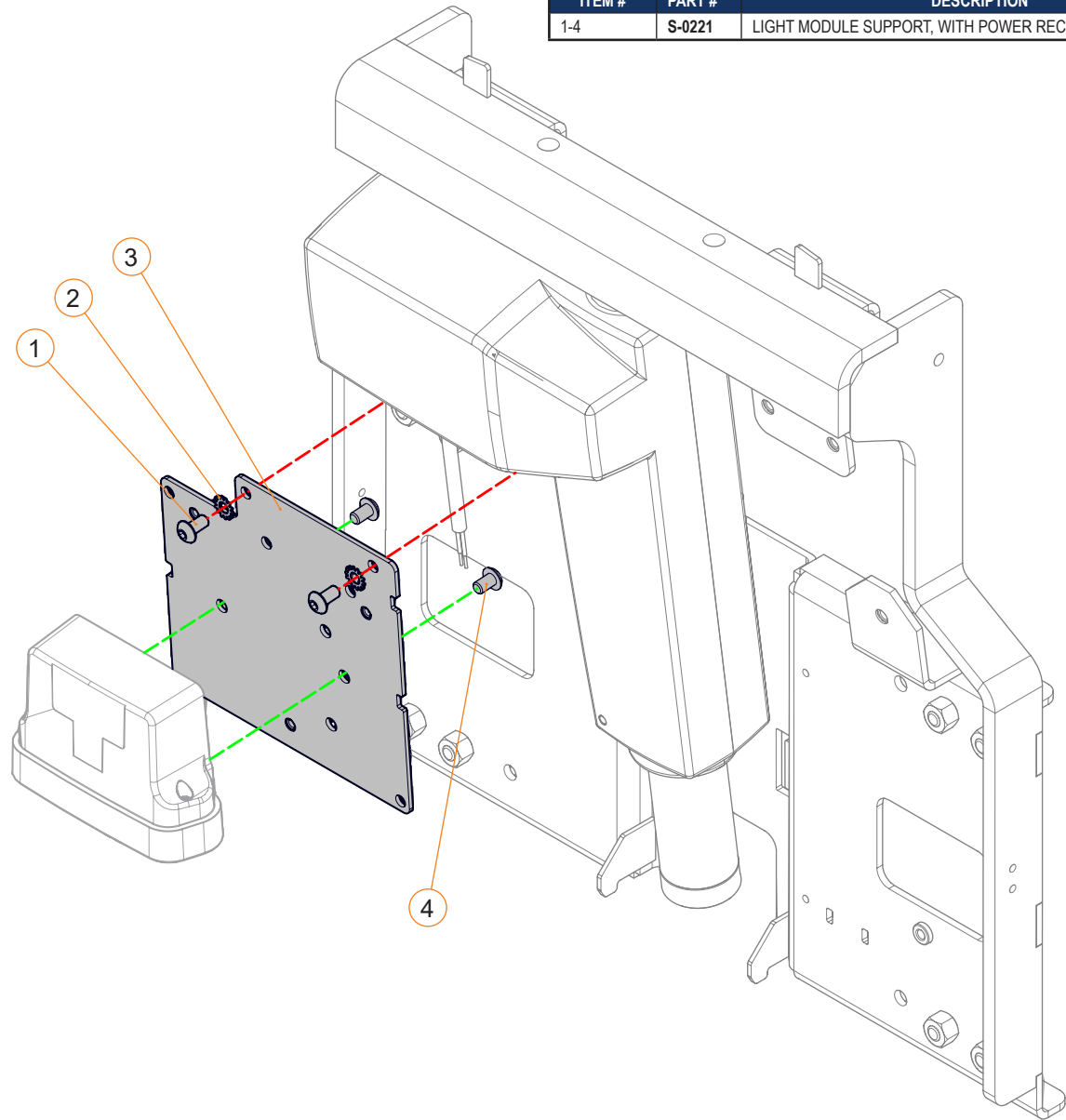


LIGHT MODULE MOUNTING KIT - FIXED WITH ELECTRONICS			
ITEM #	PART #	DESCRIPTION	EFFECTIVE
1-4	S-0176	LIGHT MODULE SUPPORT WITH ELECTRONIC, FIXED BACK	2019-11-25

5.2.6.1

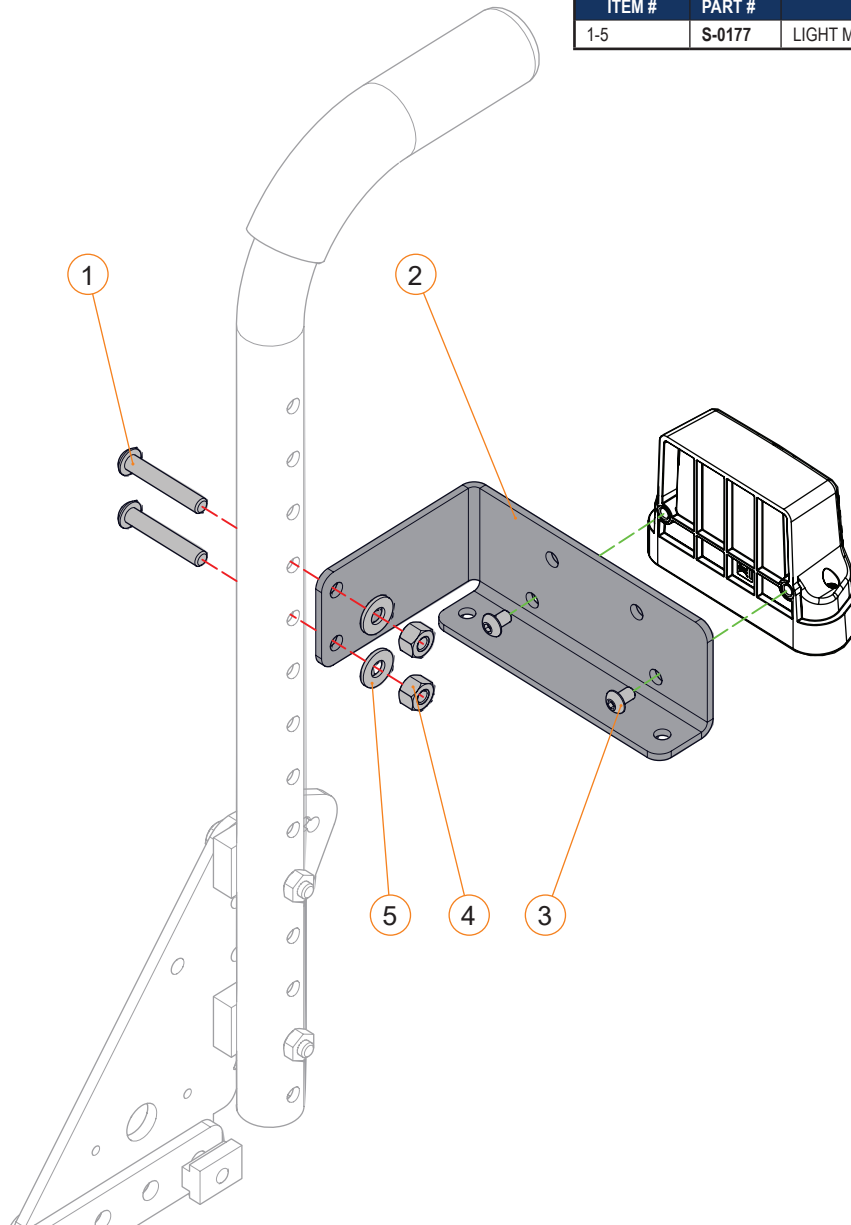
**LIGHT MODULE MOUNTING KIT - SECTION 5.2.6**

LIGHT MODULE MOUNTING - POWER RECLINE			
ITEM #	PART #	DESCRIPTION	EFFECTIVE
1-4	S-0221	LIGHT MODULE SUPPORT, WITH POWER RECLINE	2019-11-25

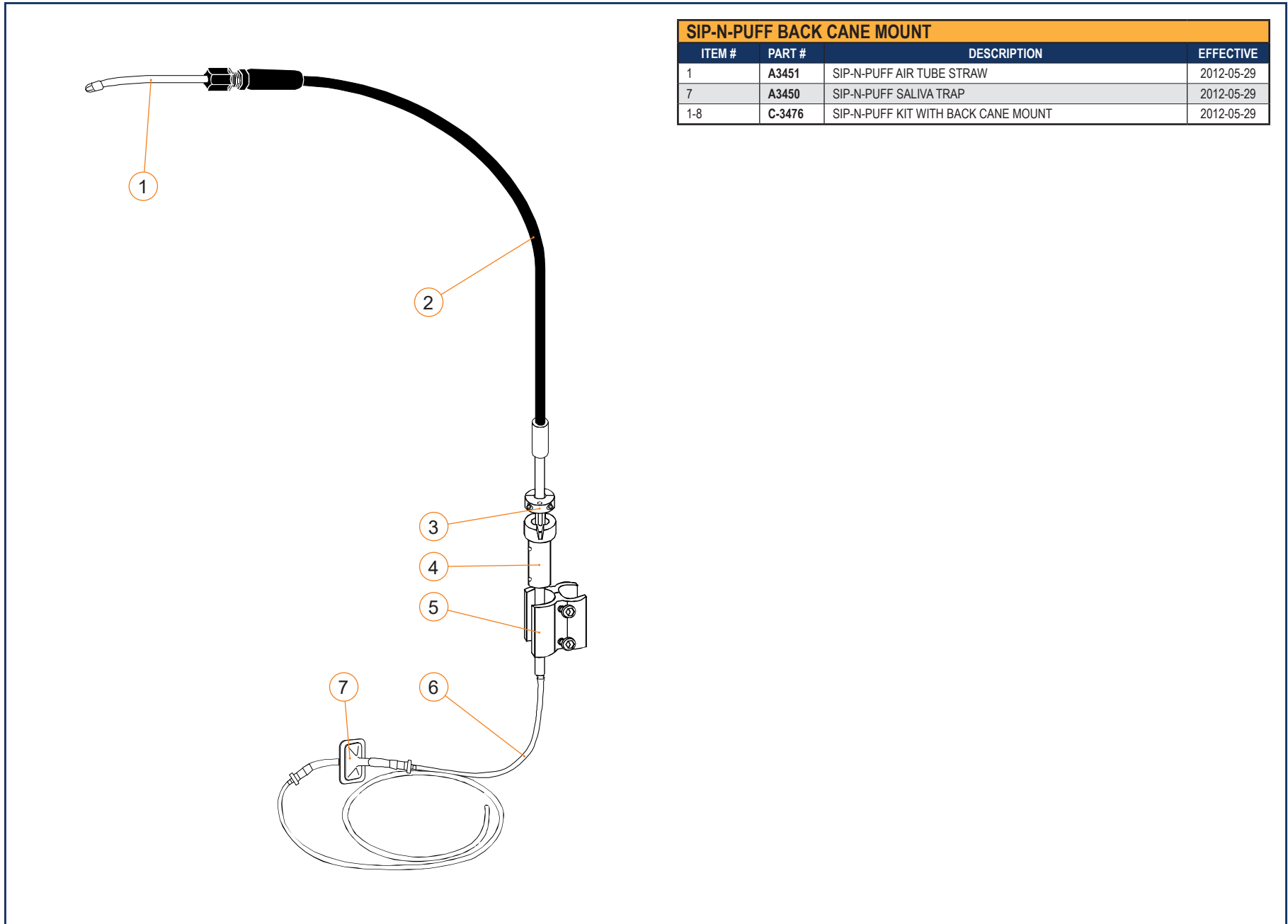


**LIGHT MODULE MOUNTING KIT - SECTION 5.2.6**

<b>LIGHT MODULE MOUNTING KIT - FIXED WITHOUT ELECTRONICS</b>			
ITEM #	PART #	DESCRIPTION	EFFECTIVE
1-5	S-0177	LIGHT MODULE SUPPORT WITHOUT ELECTRONIC, FIXED BACK	2019-11-25



SIP-N-PUFF - SECTION 5.3.1



SIP-N-PUFF BACK CANE MOUNT			
ITEM #	PART #	DESCRIPTION	EFFECTIVE
1	A3451	SIP-N-PUFF AIR TUBE STRAW	2012-05-29
7	A3450	SIP-N-PUFF SALIVA TRAP	2012-05-29
1-8	C-3476	SIP-N-PUFF KIT WITH BACK CANE MOUNT	2012-05-29



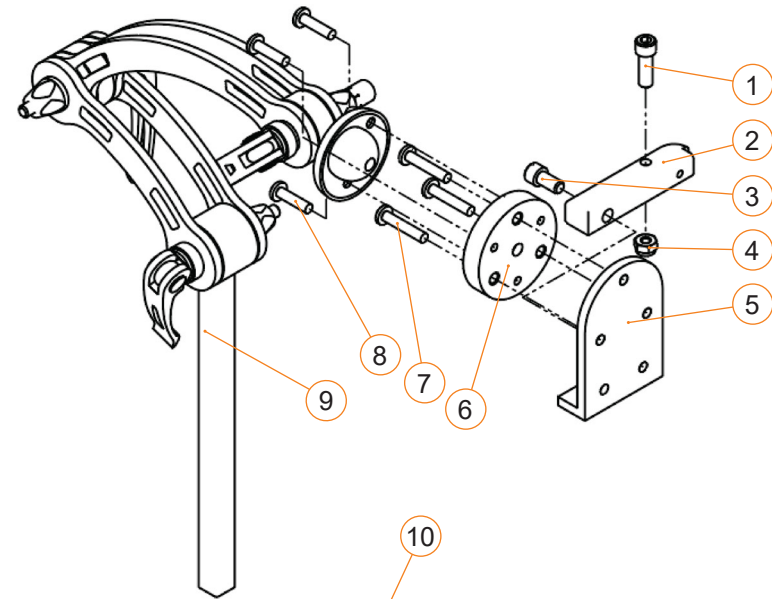
SIP-N-PUFF HEAD REST MOUNT			
ITEM #	PART #	DESCRIPTION	EFFECTIVE
1	A3451	SIP-N-PUFF AIR TUBE STRAW	2012-05-29
3A	H00091	HEADREST PAD, S, 105MM (4IN) X 230MM (9IN)(E0955)	2009-05-06
3B	H00092	HEADREST PAD, M, 130MM (5IN) X 255MM (10IN)(E0955)	2009-05-06
3C	H00093	HEADREST PAD, L, 155MM (6IN) X 280MM (11IN)(E0955)	2009-05-06
4	A3458	ROCK-N-LOCK SNP SWINGAWAY ARM	2012-05-29
5	A3450	SIP-N-PUFF SALIVA TRAP	2012-05-29
6	A3456	ROCK-N-LOCK MOUNTING ARM	2012-05-29
7	A3455	ROCK-N-LOCK INTERFACE PLATE	2012-05-29
8	A3454	HEAD REST INTERFACE PLATE	2012-05-29
9	C-9301	MULTI-AXIS HEAD REST HARDWARE (E1028)	2008-04-30
1, 2, 5	C-3476	SIP-N-PUFF KIT WITH BACK CANE MOUNT	2012-05-29
10	1003944	EMERGENCY STOP SWITCH - RED	2022-02-01



HEAD ARRAY MOUNTING - SECTION 5.3.1



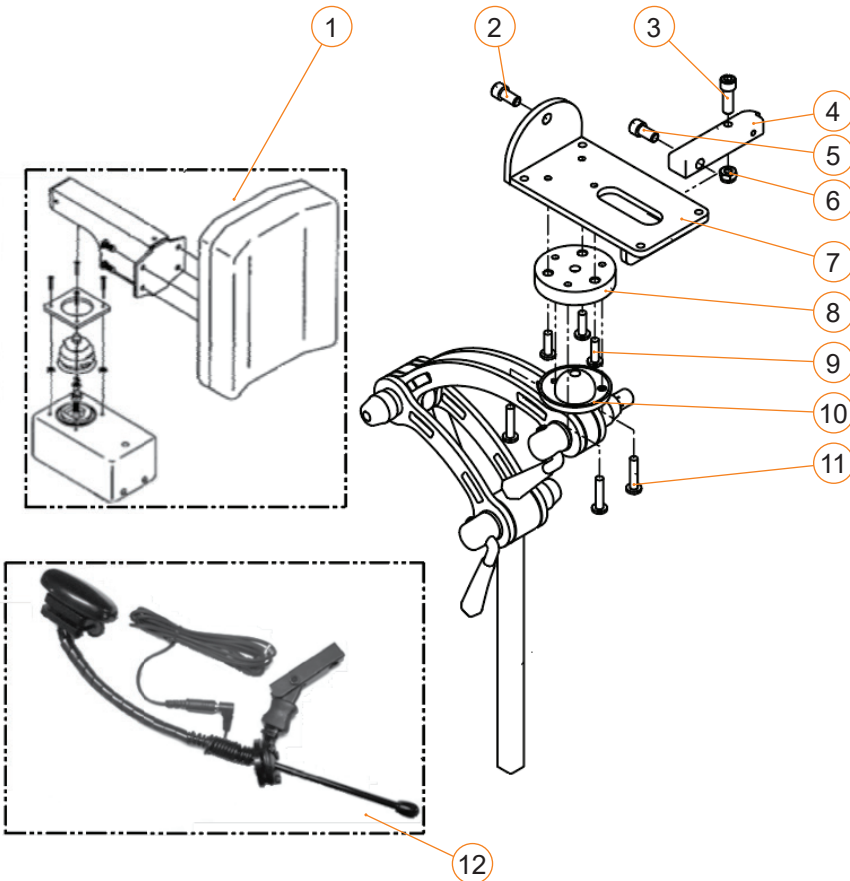
SWITCH IT HEAD ARRAY MOUNTING			
ITEM #	PART #	DESCRIPTION	EFFECTIVE
2	A3456	ROCK-N-LOCK MOUNTING ARM	2012-05-29
5	A3455	ROCK-N-LOCK INTERFACE PLATE	2012-05-29
6	A3454	HEAD REST INTERFACE PLATE	2012-05-29
10	D00294	SWITCH IT HEAD ARRAY	2012-05-29
12	1003944	EMERGENCY STOP SWITCH - RED	2022-02-01
1,4,11	D00292	EGG SWITCH ON ROCK-N-LOCK SWING AWAY ARM	2012-05-29
8,9	C-9301	MULTI-AXIS HEAD REST HARDWARE	2008-04-30
3, 5-7, 10	EC-0247	SWITCH IT HEAD ARRAY WITH MOUNTING	2012-07-18



PROPORTIONNAL HEAD CONTROL - SECTION 5.3.3

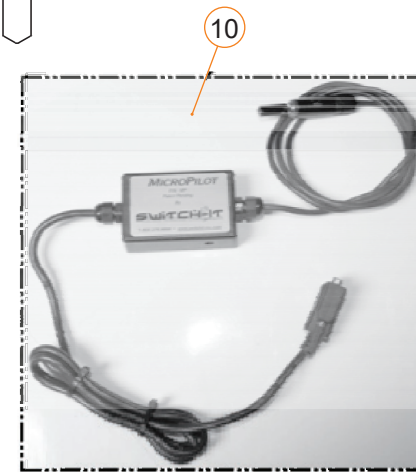
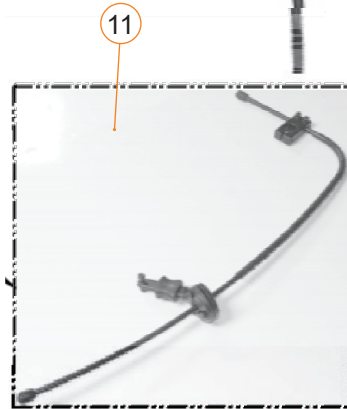
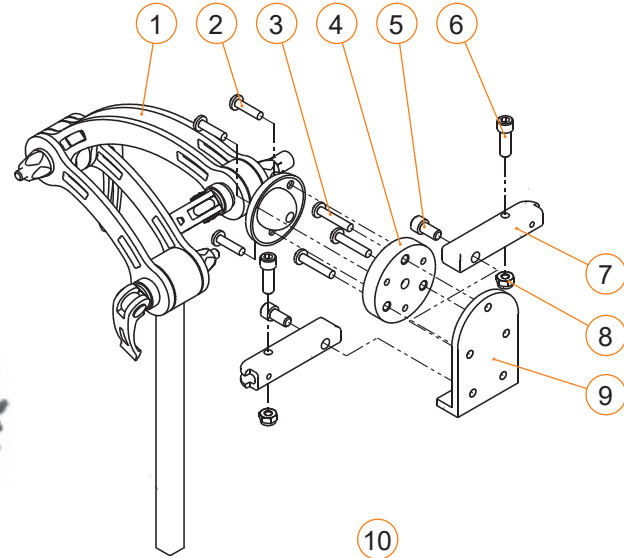
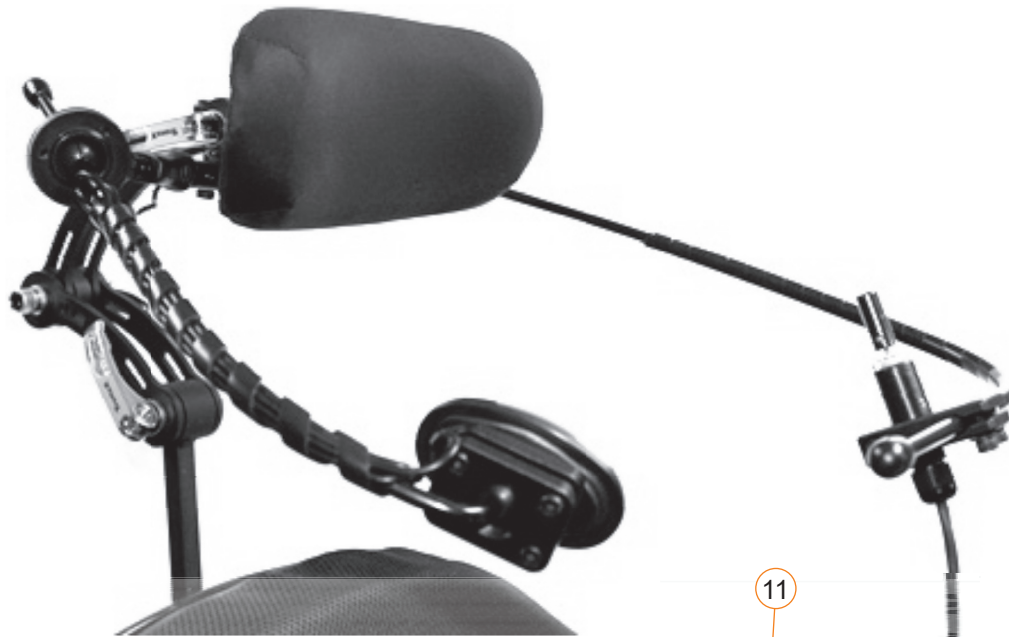


PROPORTIONNAL RIM CONTROL MOUNTING			
ITEM #	PART #	DESCRIPTION	EFFECTIVE
1	888140	PROPORTIONNAL RIM CONTROL	2008-09-12
4	A3456	ROCK-N-LOCK MOUNTING ARM	2012-05-29
7	A3452	ROCK-N-LOCK INTERFACE PLATE (FOR RIM)	2012-05-29
8	A3454	HEAD REST INTERFACE PLATE	2012-05-29
12	D00292	EGG SWITCH ON ROCK-N-LOCK SWING AWAY ARM	2012-05-29
13	1003944	EMERGENCY STOP SWITCH - RED	2022-02-01
10, 11	C-9301	MULTI-AXIS HEAD REST HARDWARE (E1028)	2008-04-30
1, 2, 7-9	EC-0255	PROPORTIONNAL RIM CONTROL WITH MOUNTING	2012-07-19



MICRO-JOYSTICK CHIN MOUNTING - SECTION 5.3.4

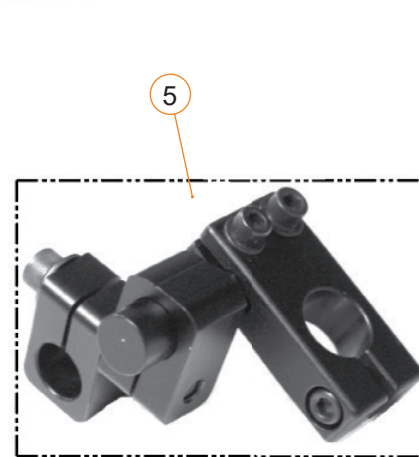
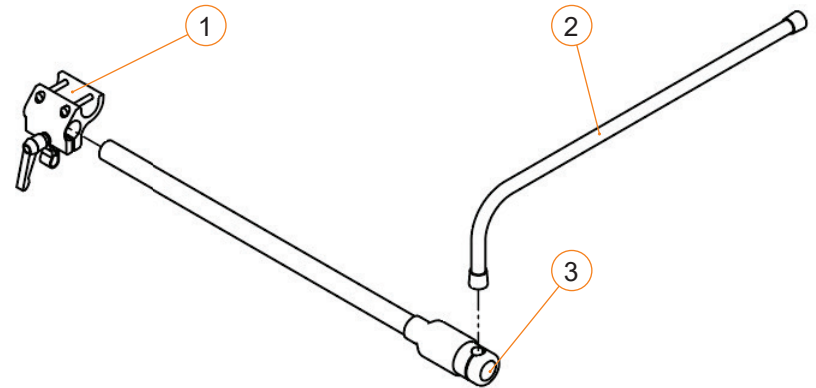
SWITCH IT MICRO-PILOT JOYSTICK CHIN MOUNT			
ITEM #	PART #	DESCRIPTION	EFFECTIVE
4	A3454	HEAD REST INTERFACE PLATE	2012-05-29
7	A3456	ROCK-N-LOCK MOUNTING ARM	2012-05-29
9	A3455	ROCK-N-LOCK INTERFACE PLATE	2012-05-29
10	D00293	SWITCH IT MICRO-PILOT JOYSTICK	2012-05-29
11	A3457	ROCK-N-LOCK CHIN MOUNT FOR MICRO-PILOT	2012-05-29
12	D00292	EGG SWITCH ON ROCK-N-LOCK SWING AWAY ARM	2012-05-29
1, 2	C-9301	MULTI-AXIS HEAD REST HARDWARE (E1028)	2008-04-30



MICRO-JOYSTICK MIDLINE MOUNT - SECTION 5.3.6

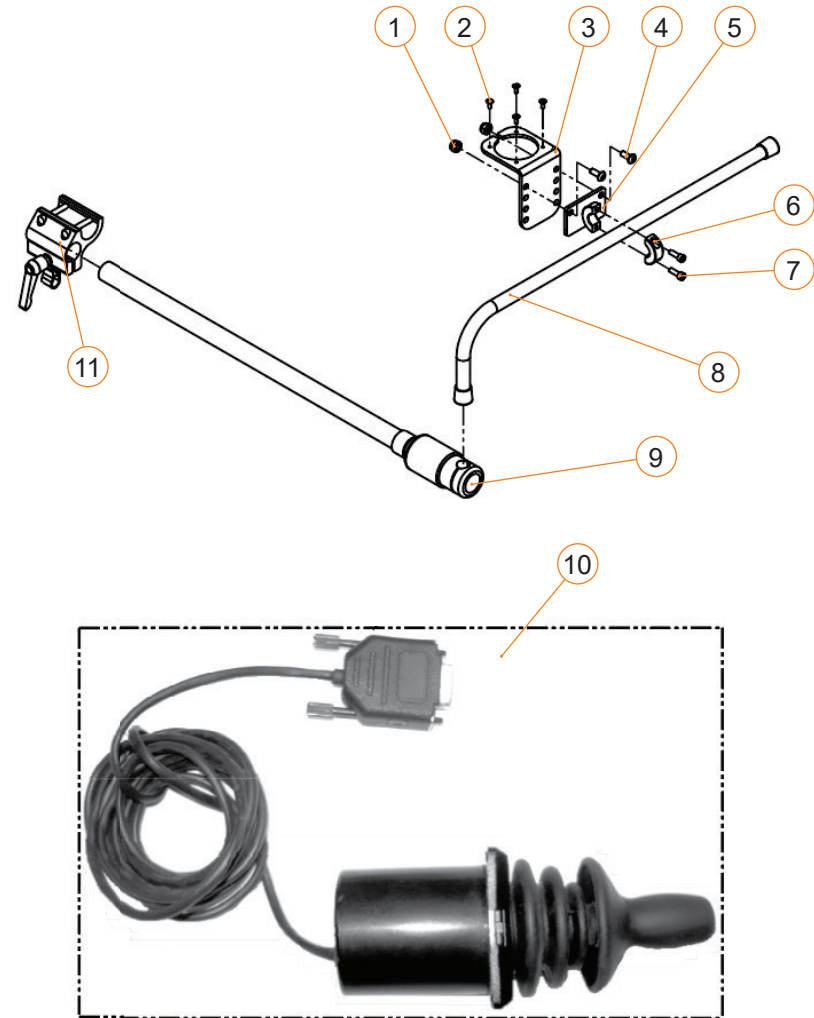
**MIDLINE SWING AWAY MOUNT FOR SWITCH IT MICRO-PILOT**

ITEM #	PART #	DESCRIPTION	EFFECTIVE
4	D00293	SWITCH IT MICRO-PILOT JOYSTICK	2012-05-29
1-3, 5	EC-0252	MIDLINE SWING AWAY MOUNT FOR SWITCH IT MICRO-PILOT	2012-07-19

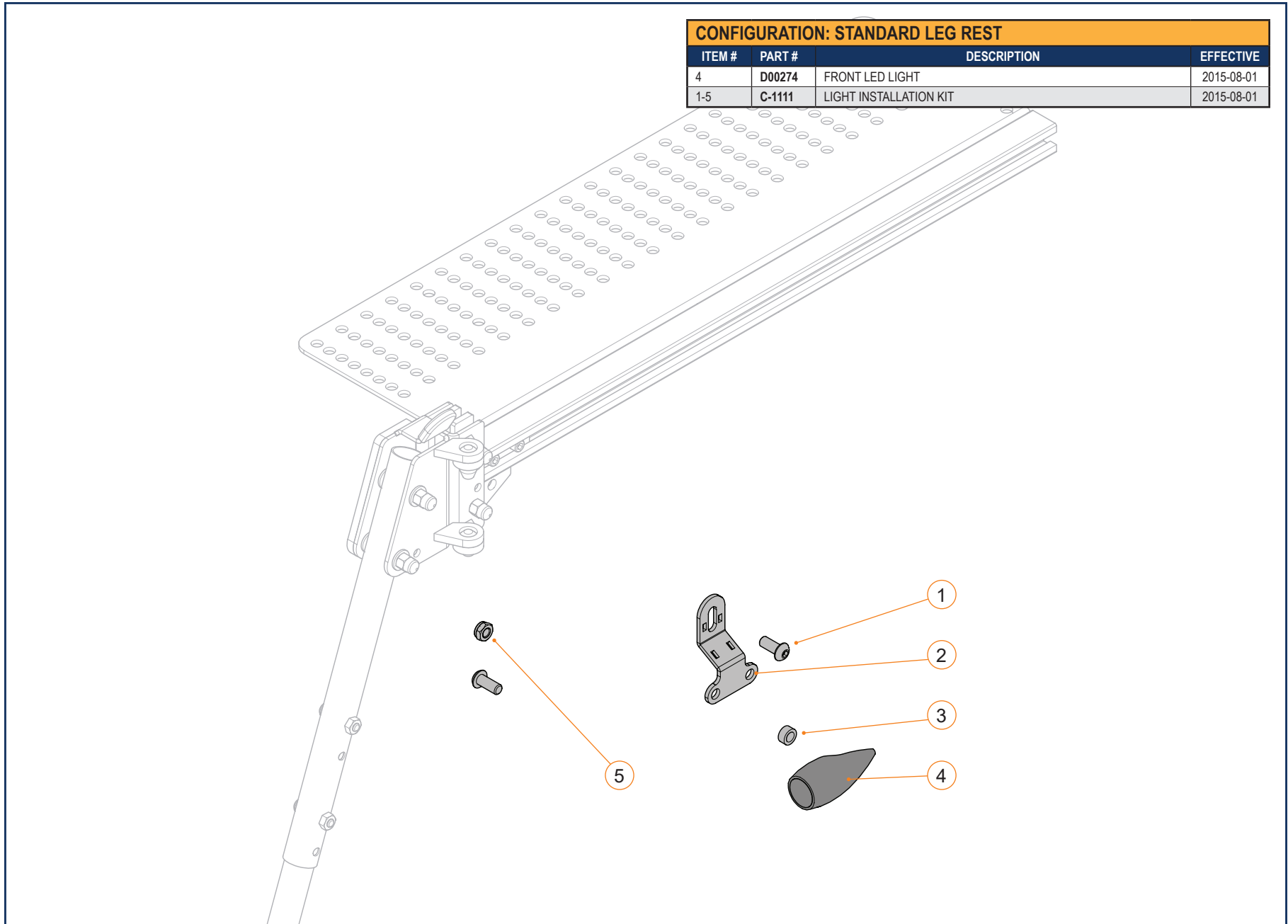


COMPACT JOYSTICK MIDLINE MOUNT - SECTION 5.3.7

MIDLINE SWING AWAY MOUNT FOR JC200			
ITEM #	PART #	DESCRIPTION	EFFECTIVE
3	A3482	JC200 MOUNTING INTERFACE PLATE	2012-07-19
10	D50084	JC200 COMPACT JOYSTICK	2008-05-01
11	920713	JOYSTICK MOUNT SUPPORT BRACKET	2009-11-05
5-9	C-3430	MIDLINE SWING AWAY RNET AND VR2 JOYSTICK MOUNT	2009-11-05
5-7	C-3472	JOYSTICK BRACKET FOR MIDLINE MOUNT	2011-08-18

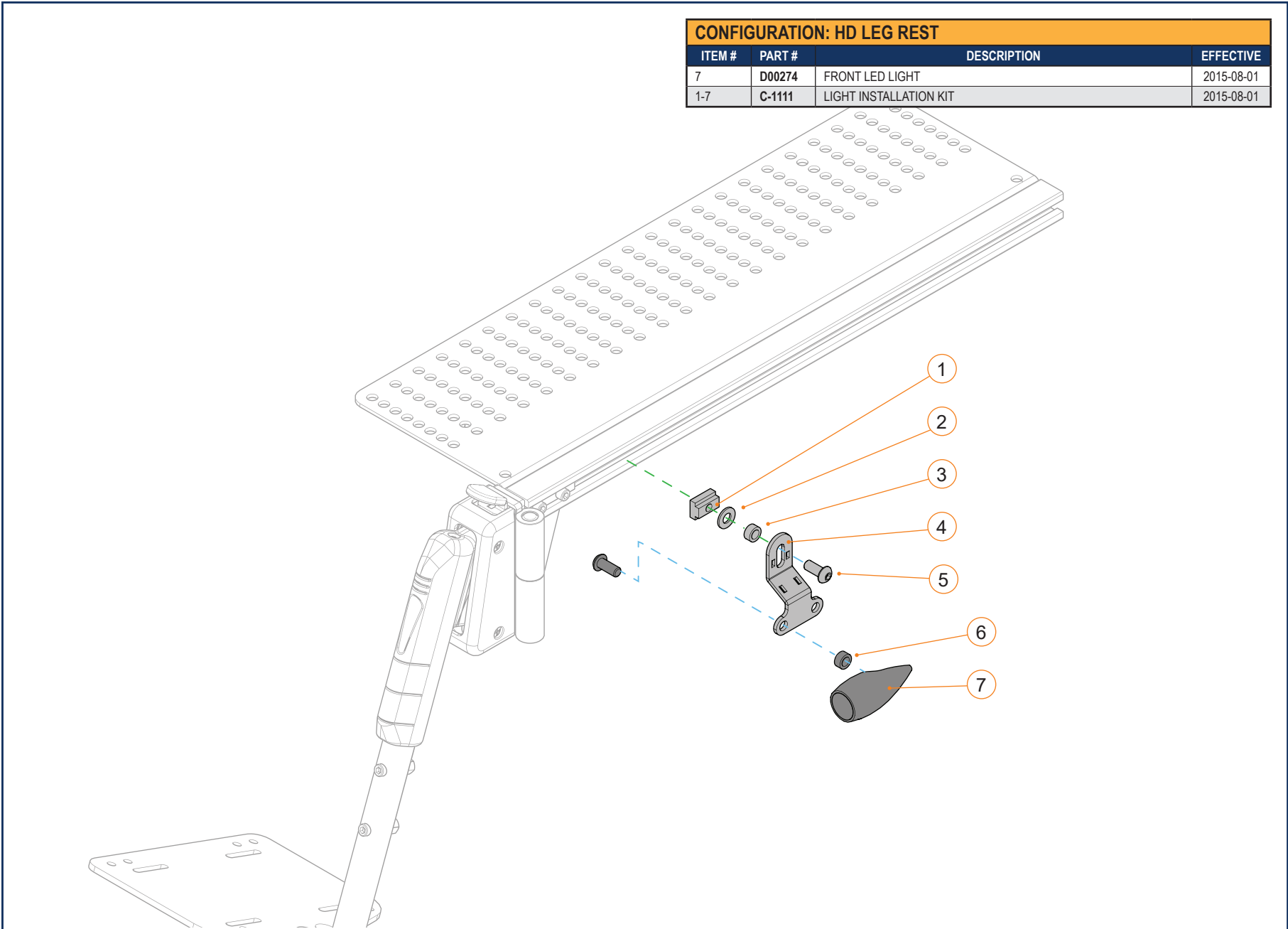


FRONT LIGHTS - SECTION 5.4.1

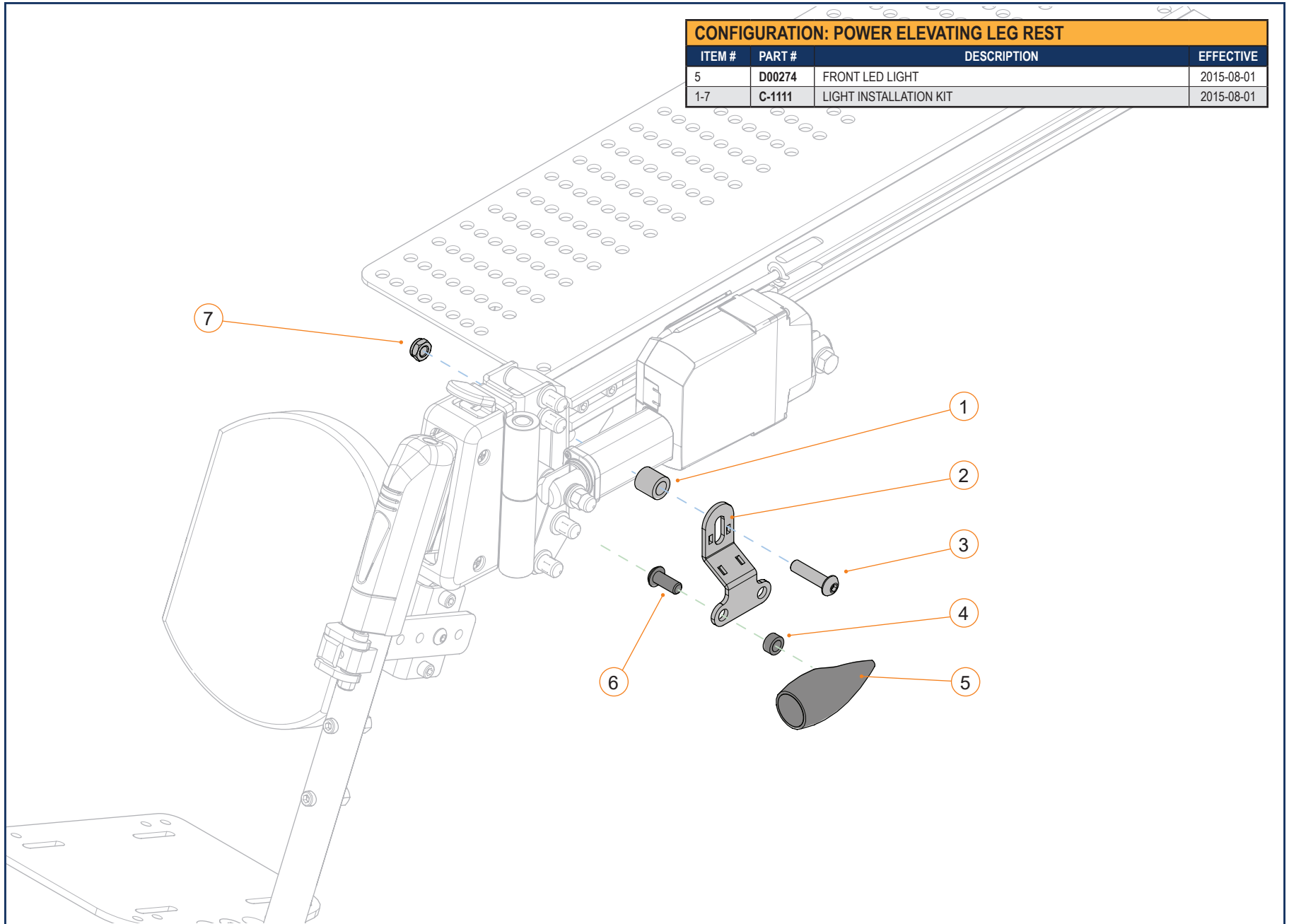


**FRONT LIGHTS - SECTION 5.4.1**

CONFIGURATION: HD LEG REST			
ITEM #	PART #	DESCRIPTION	EFFECTIVE
7	D00274	FRONT LED LIGHT	2015-08-01
1-7	C-1111	LIGHT INSTALLATION KIT	2015-08-01

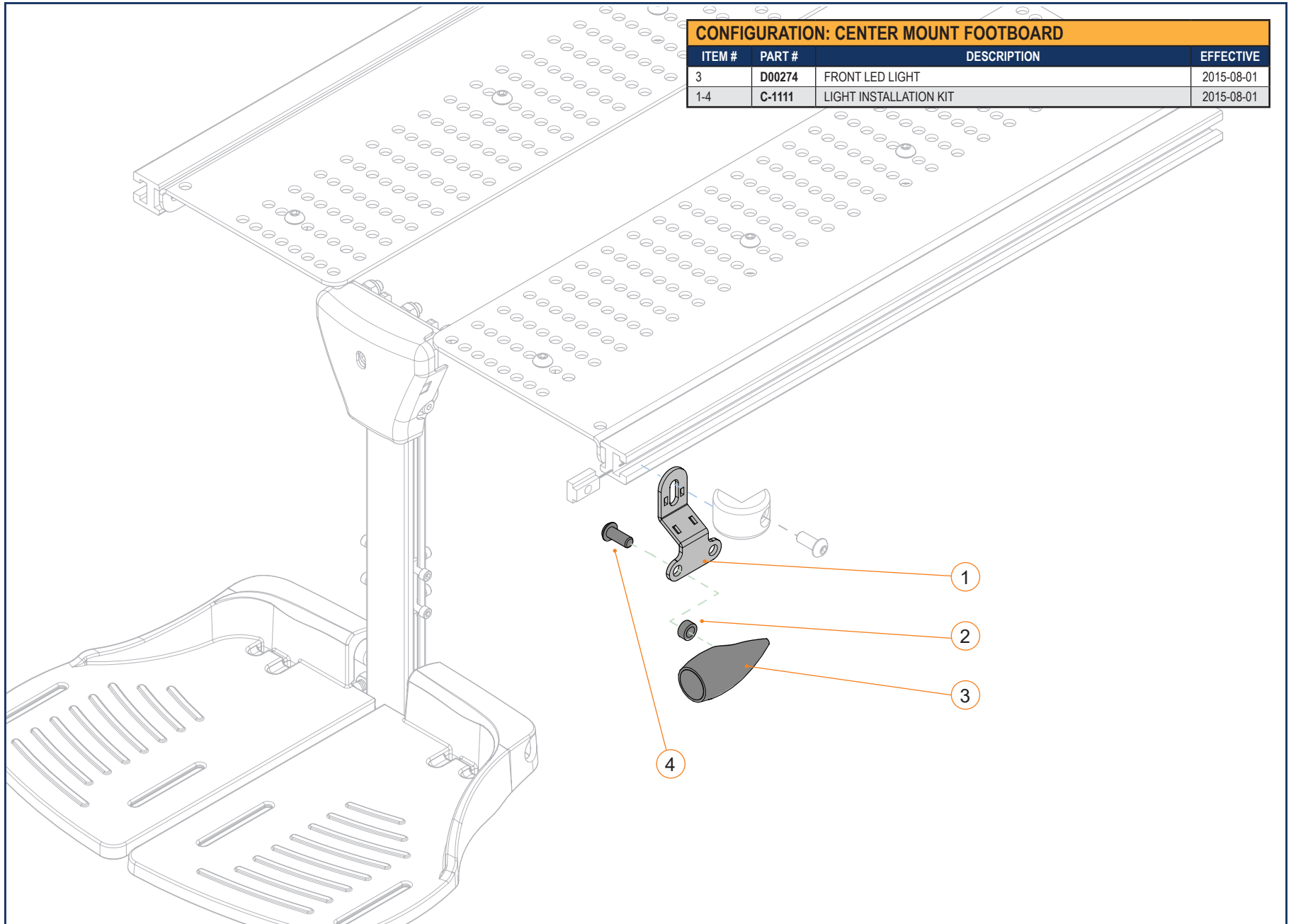


**FRONT LIGHTS - SECTION 5.4.1**

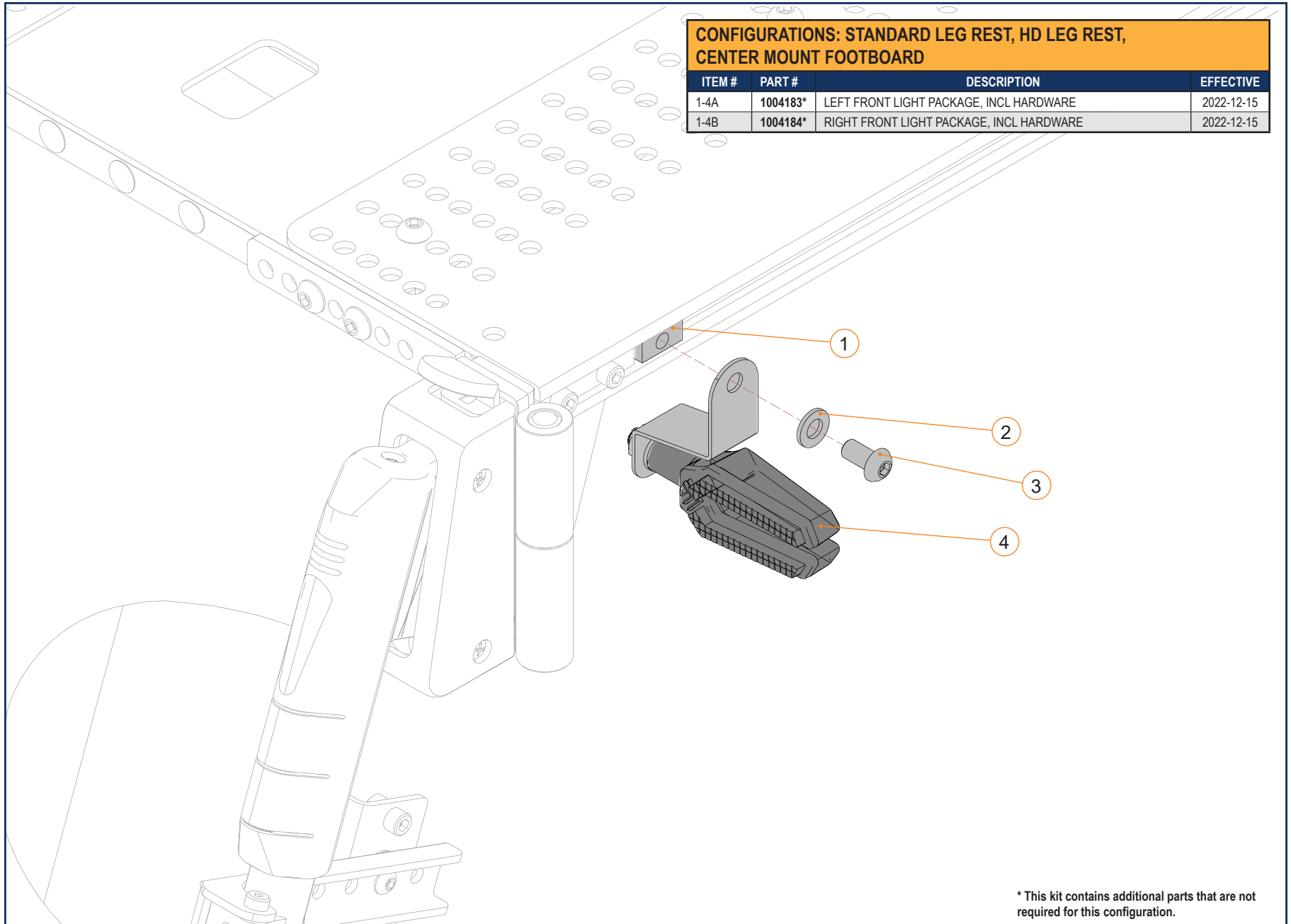


CONFIGURATION: POWER ELEVATING LEG REST			
ITEM #	PART #	DESCRIPTION	EFFECTIVE
5	D00274	FRONT LED LIGHT	2015-08-01
1-7	C-1111	LIGHT INSTALLATION KIT	2015-08-01

**FRONT LIGHTS - SECTION 5.4.1**



FRONT LIGHTS - SECTION 5.4.1

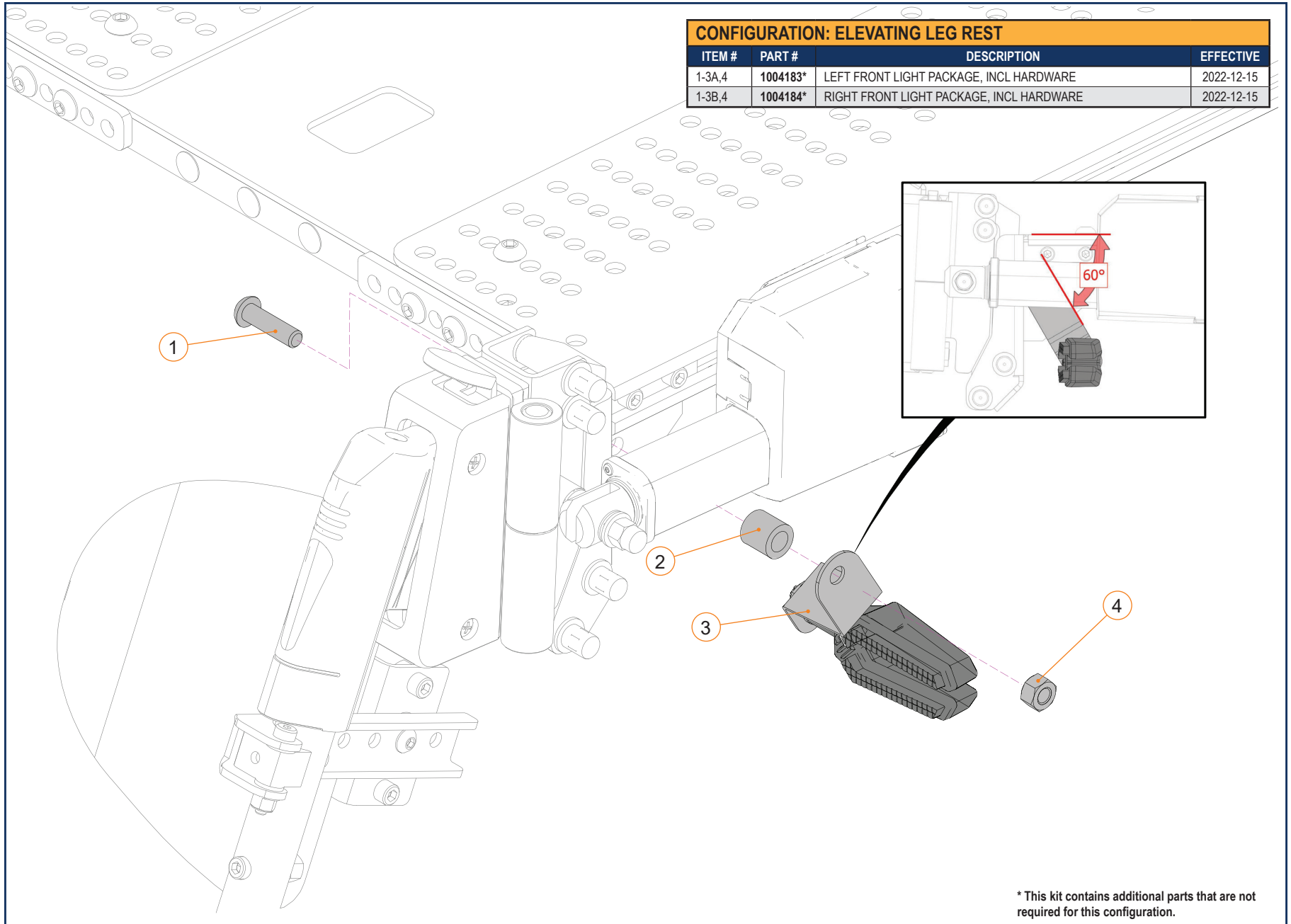


**CONFIGURATIONS: STANDARD LEG REST, HD LEG REST, CENTER MOUNT FOOTBOARD**

ITEM #	PART #	DESCRIPTION	EFFECTIVE
1-4A	1004183*	LEFT FRONT LIGHT PACKAGE, INCL HARDWARE	2022-12-15
1-4B	1004184*	RIGHT FRONT LIGHT PACKAGE, INCL HARDWARE	2022-12-15

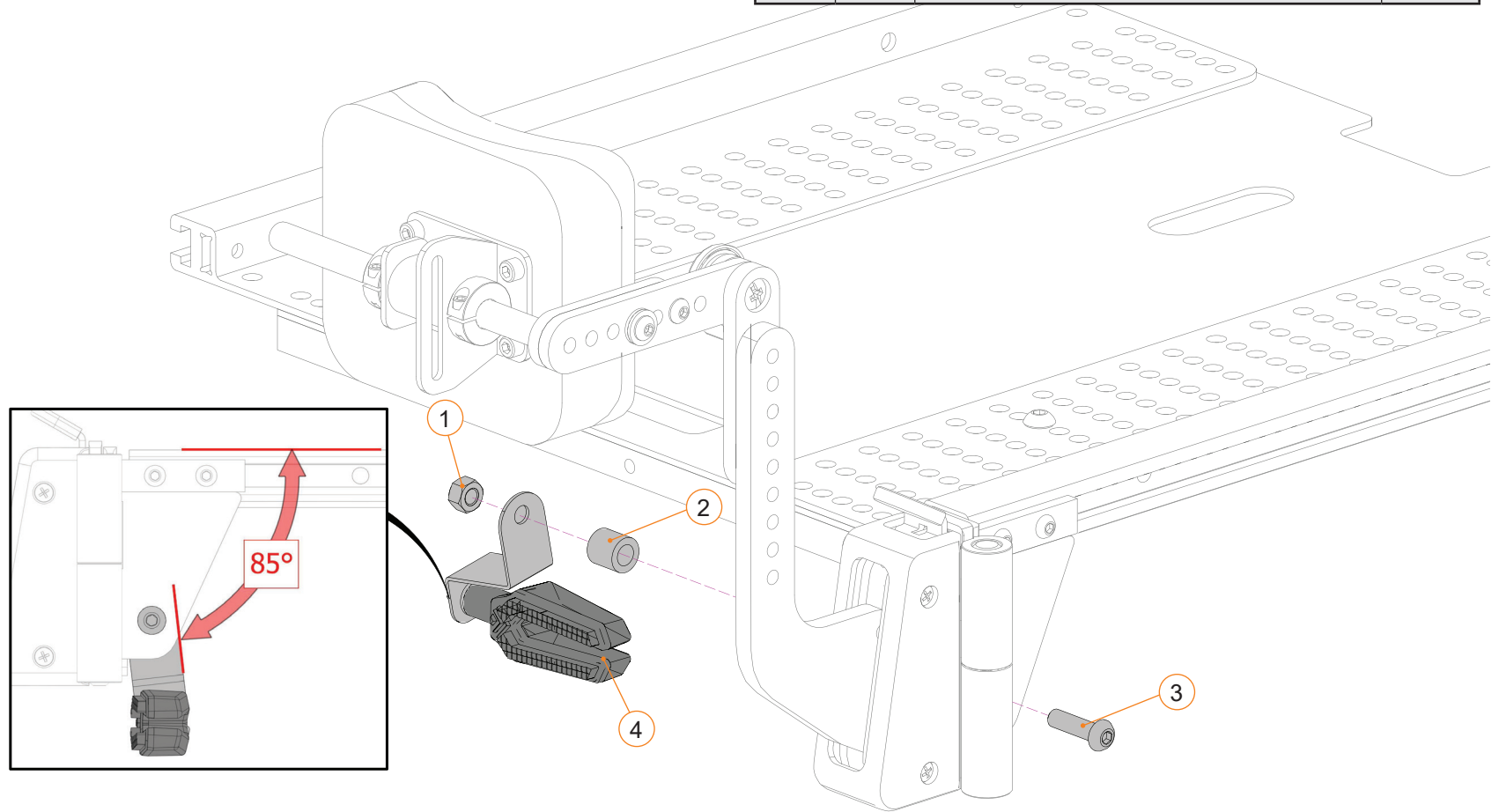
\* This kit contains additional parts that are not required for this configuration.

FRONT LIGHTS - SECTION 5.4.1



FRONT LIGHTS - SECTION 5.4.1

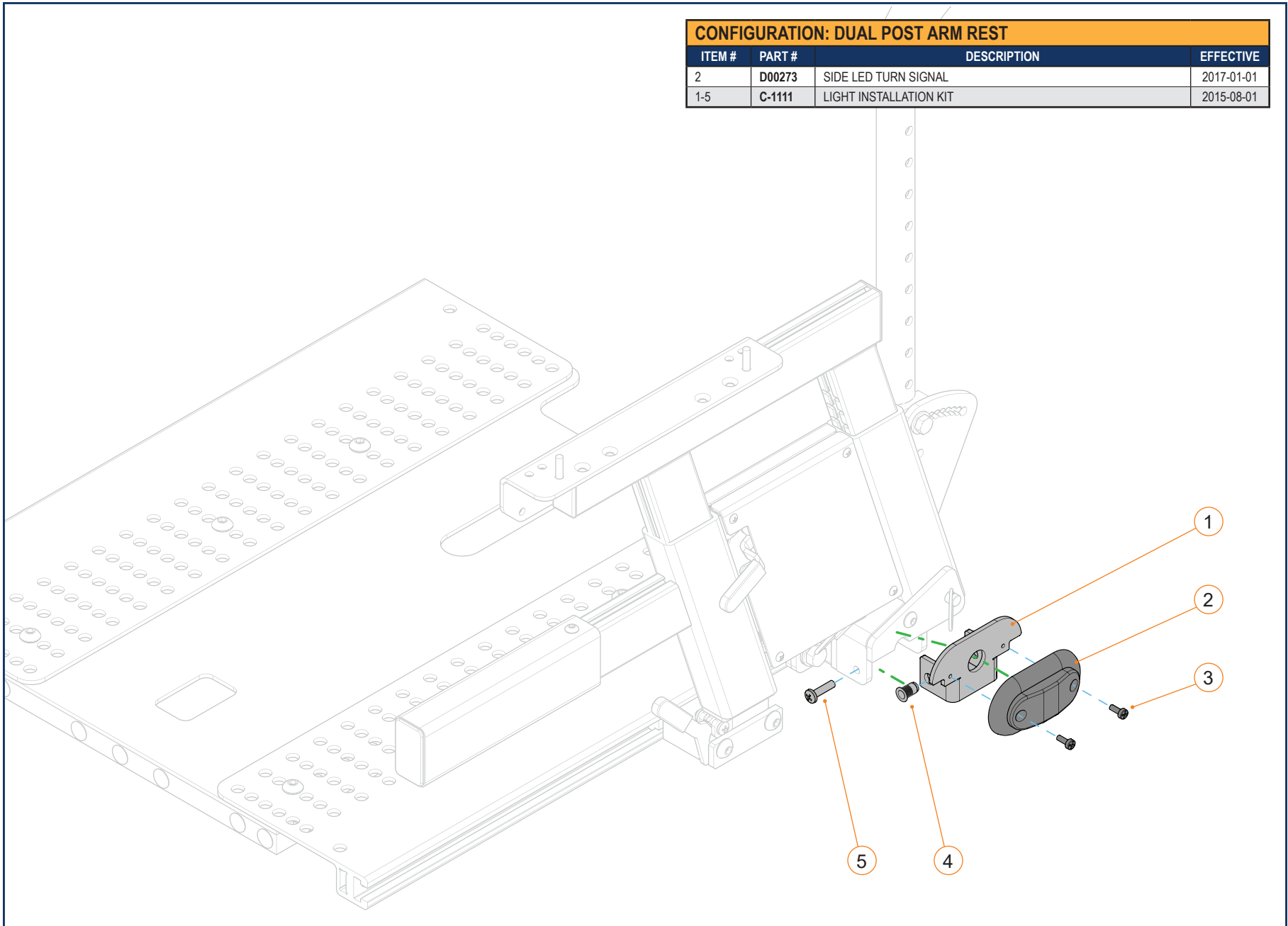
CONFIGURATION: STANDING KNEE SUPPORT			
ITEM #	PART #	DESCRIPTION	EFFECTIVE
1-4A	1004183*	LEFT FRONT LIGHT PACKAGE, INCL HARDWARE	2022-12-15
1-4B	1004184*	RIGHT FRONT LIGHT PACKAGE, INCL HARDWARE	2022-12-15



\* This kit contains additional parts that are not required for this configuration.

**SIDE MARKERS - SECTION 5.4.2**

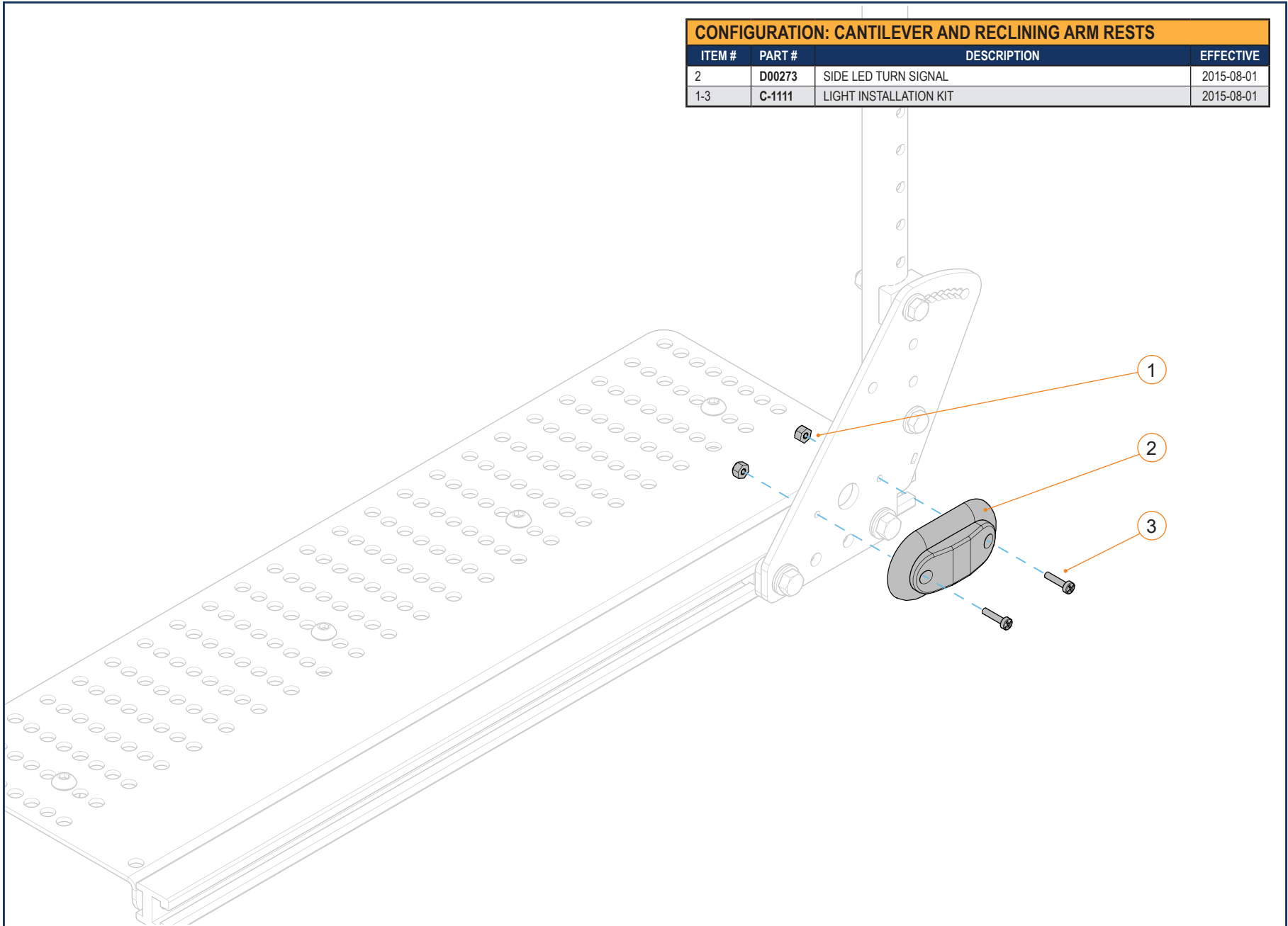
CONFIGURATION: DUAL POST ARM REST			
ITEM #	PART #	DESCRIPTION	EFFECTIVE
2	D00273	SIDE LED TURN SIGNAL	2017-01-01
1-5	C-1111	LIGHT INSTALLATION KIT	2015-08-01



**5.4.2.1**

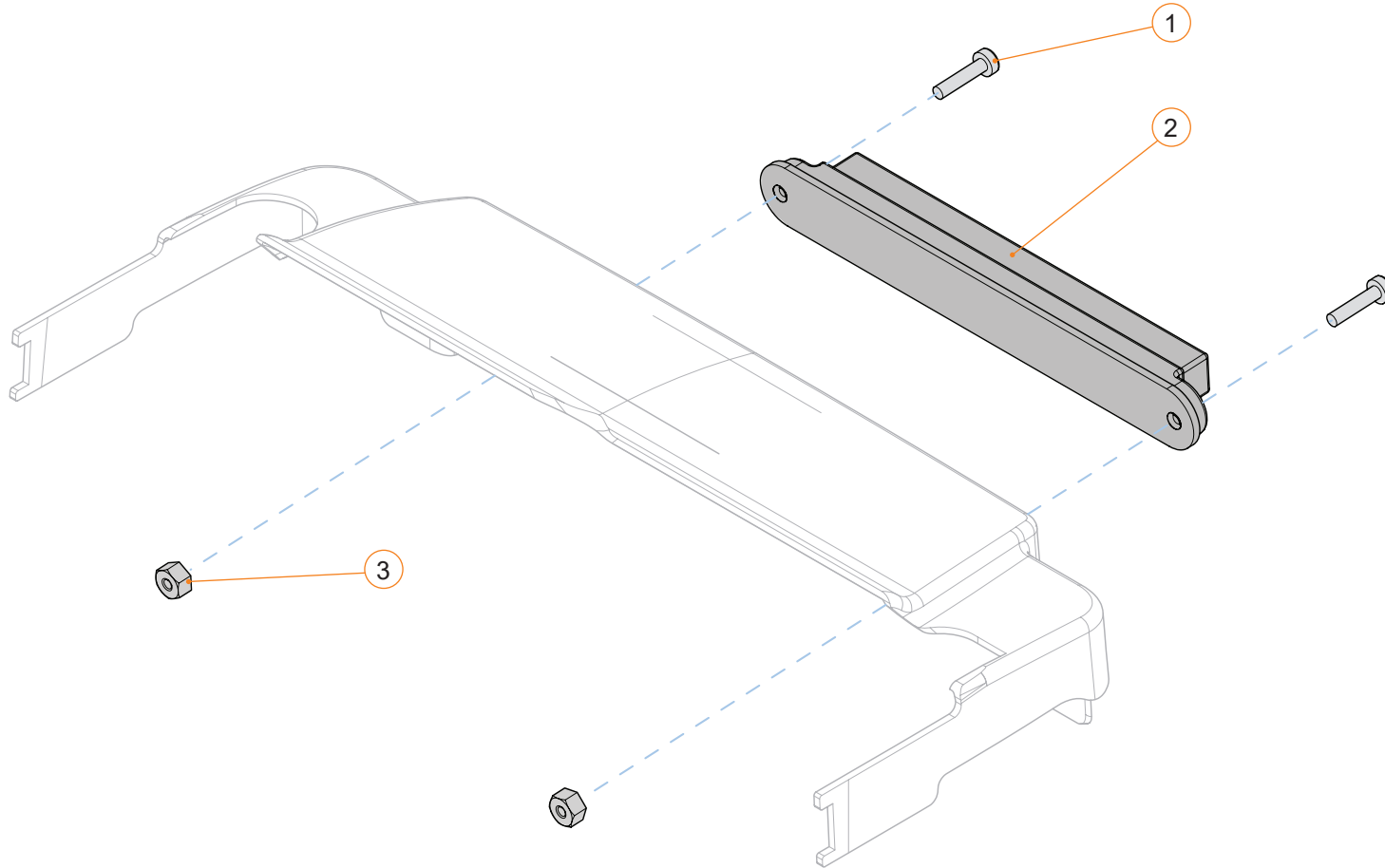
SIDE MARKERS - SECTION 5.4.2

CONFIGURATION: CANTILEVER AND RECLINING ARM RESTS			
ITEM #	PART #	DESCRIPTION	EFFECTIVE
2	D00273	SIDE LED TURN SIGNAL	2015-08-01
1-3	C-1111	LIGHT INSTALLATION KIT	2015-08-01

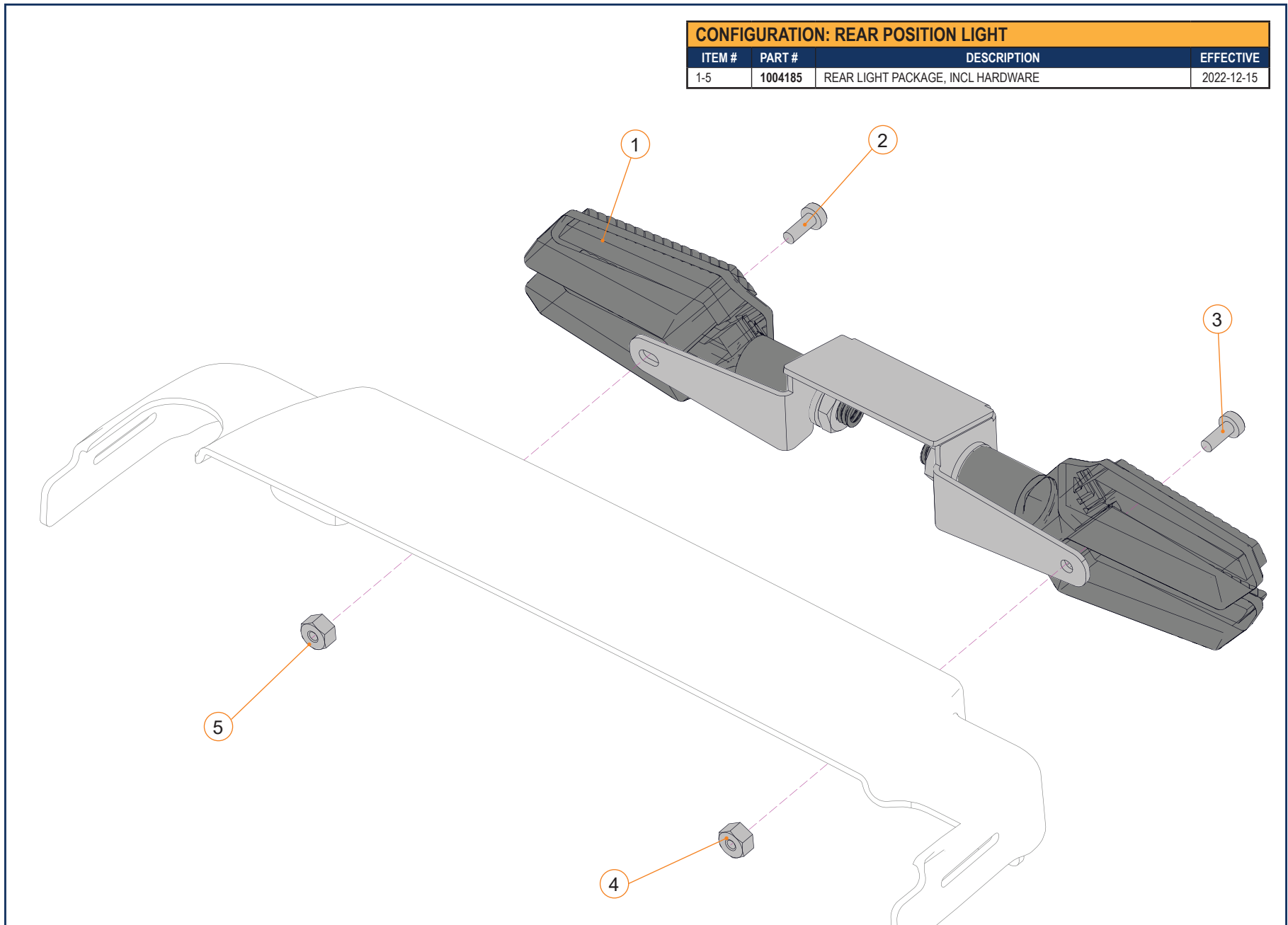


REAR LIGHTS - SECTION 5.4.3

CONFIGURATION: REAR POSITION LIGHT			
ITEM #	PART #	DESCRIPTION	EFFECTIVE
2	D00272	REAR LED POSITION LIGHT	2015-08-01
1-3	C-1111	LIGHT INSTALLATION KIT	2015-08-01



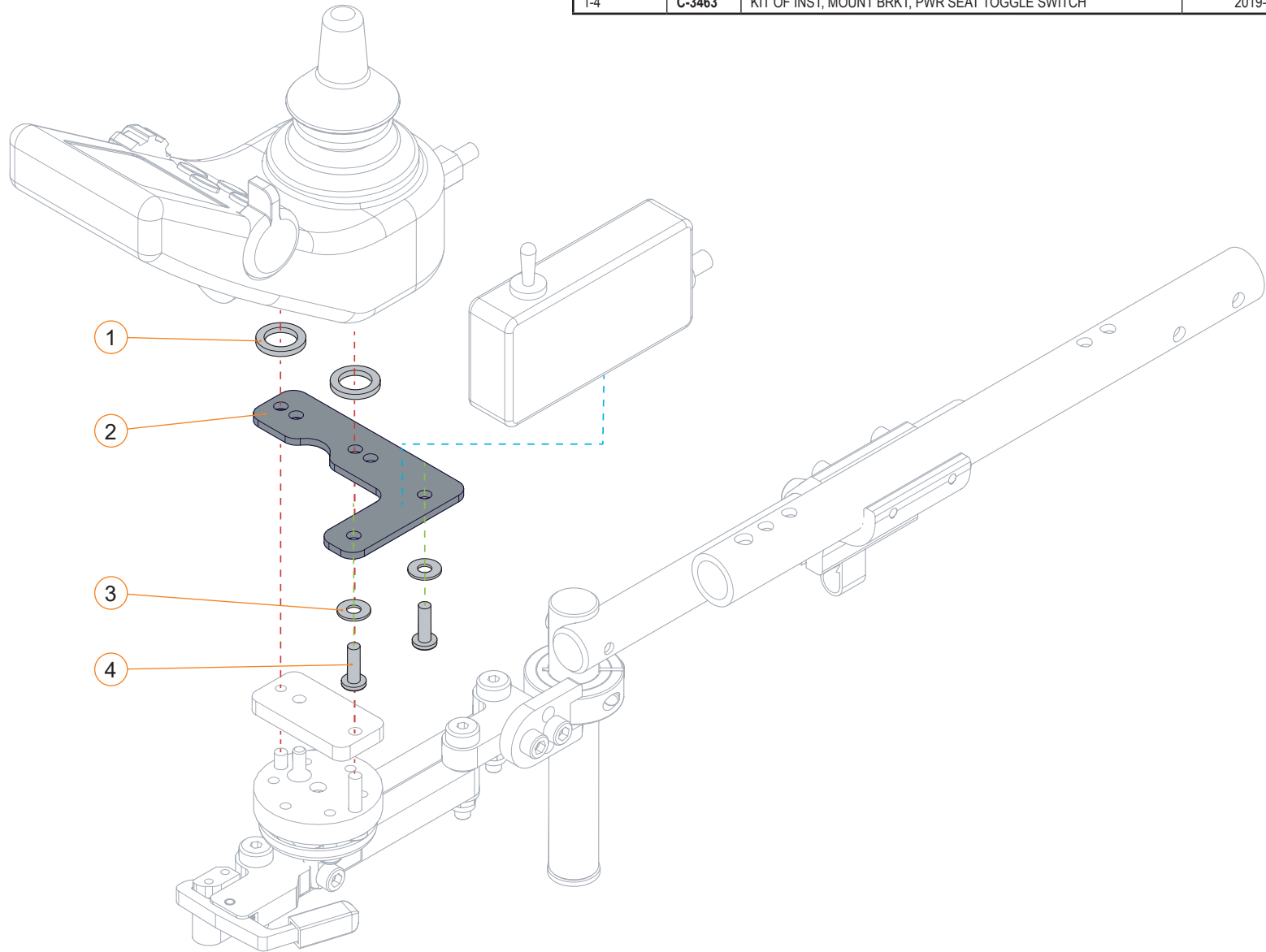
REAR LIGHTS - SECTION 5.4.3



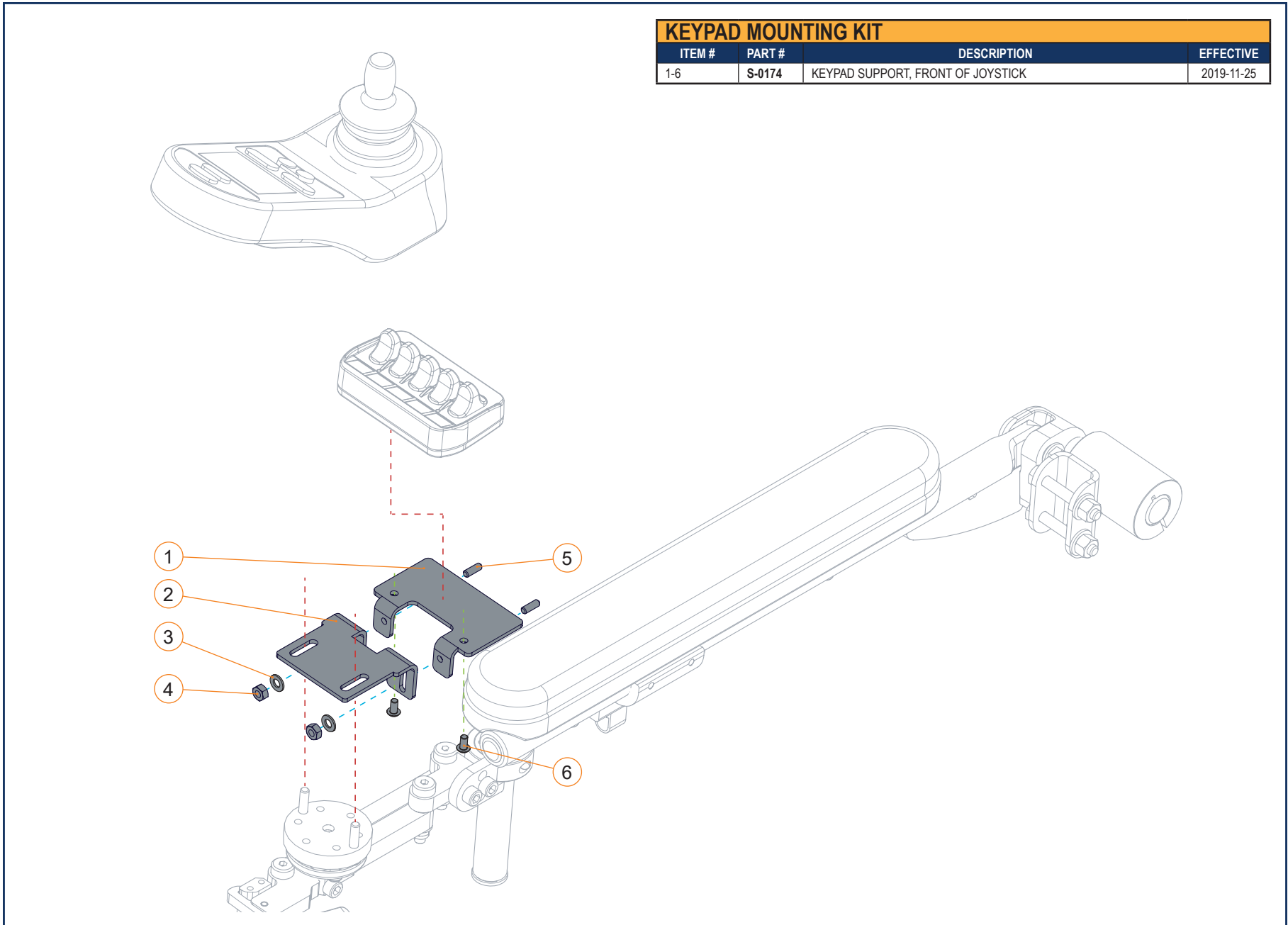
CONFIGURATION: REAR POSITION LIGHT			
ITEM #	PART #	DESCRIPTION	EFFECTIVE
1-5	1004185	REAR LIGHT PACKAGE, INCL HARDWARE	2022-12-15

EXTERNAL SWITCH MOUNTING KIT - SECTION 5.5.1

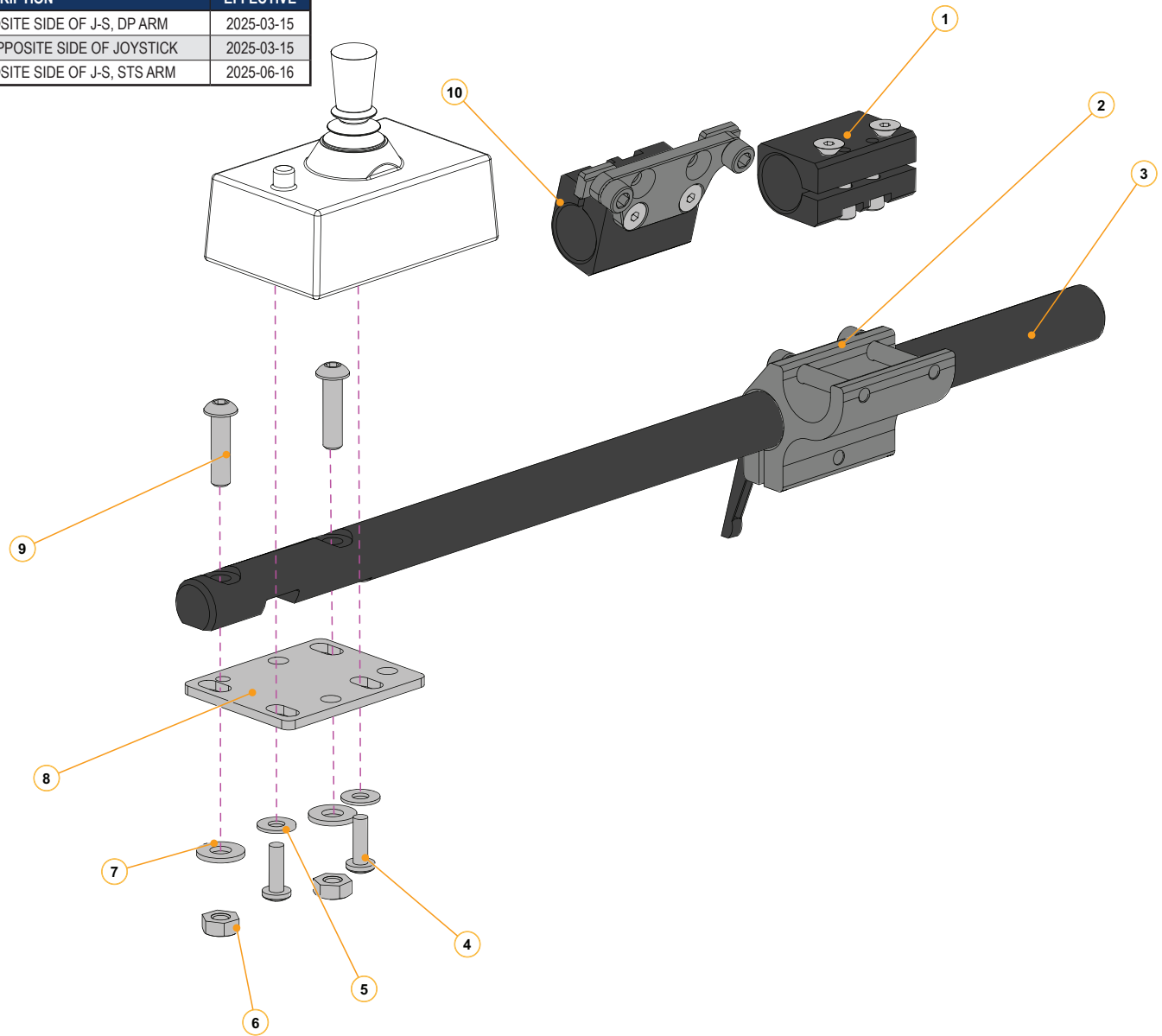
EXTERNAL SWITCH MOUNTING KIT			
ITEM #	PART #	DESCRIPTION	EFFECTIVE
1-4	C-3463	KIT OF INST, MOUNT BRKT, PWR SEAT TOGGLE SWITCH	2019-11-25



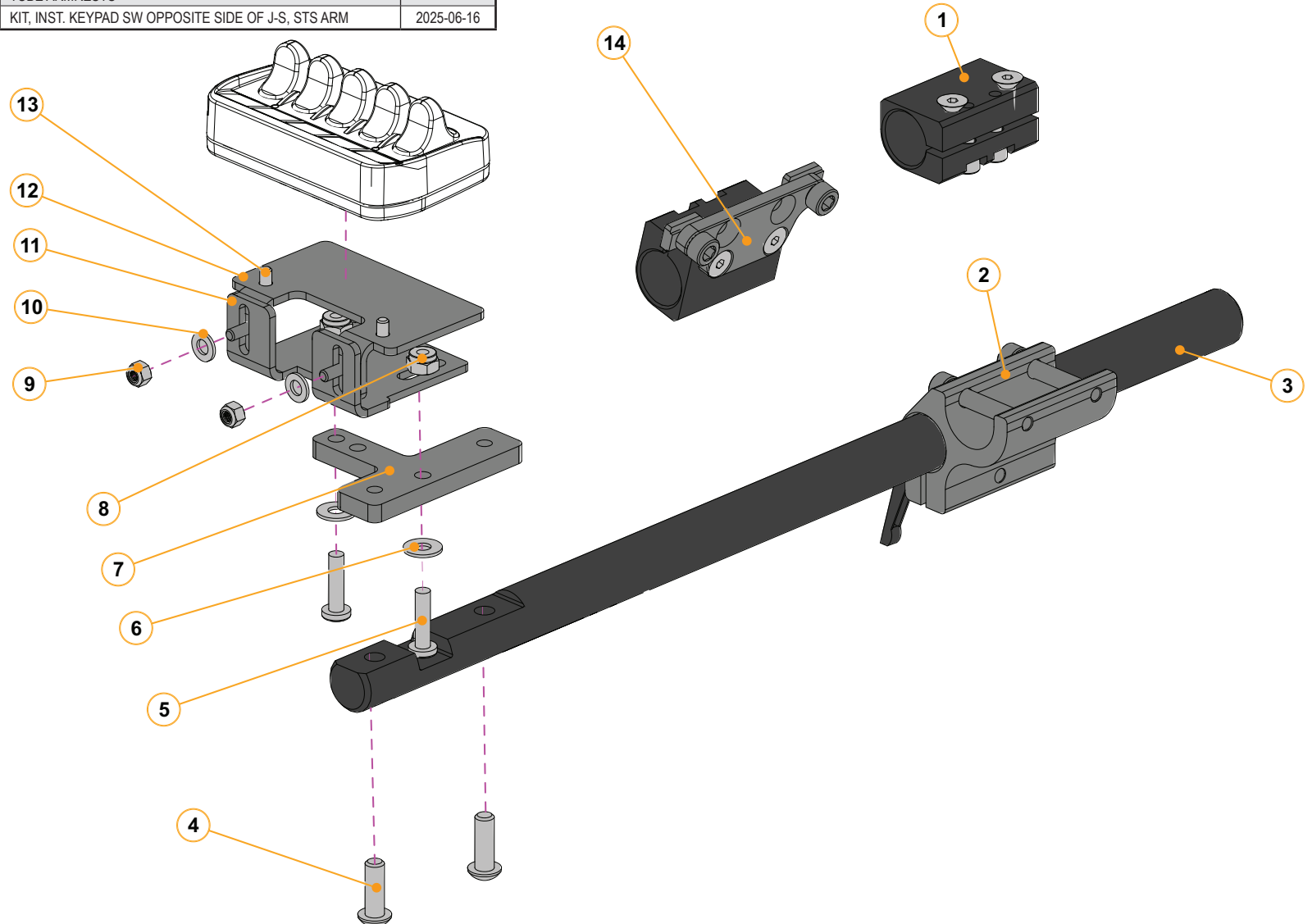
EXTERNAL SWITCH MOUNTING KIT - SECTION 5.5.1



TOGGLE SWITCH INSTALLATION ON OPPOSITE SIDE OF JOYSTICK			
ITEM #	PART #	DESCRIPTION	EFFECTIVE
1,3-9	1002892	KIT, INST. TOGGLE SW OPPOSITE SIDE OF J-S, DP ARM	2025-03-15
2-9	1002891	KIT, INSTALL TOGGLE SW. OPPOSITE SIDE OF JOYSTICK	2025-03-15
3-10	1005298	KIT, INST. TOGGLE SW OPPOSITE SIDE OF J-S, STS ARM	2025-06-16

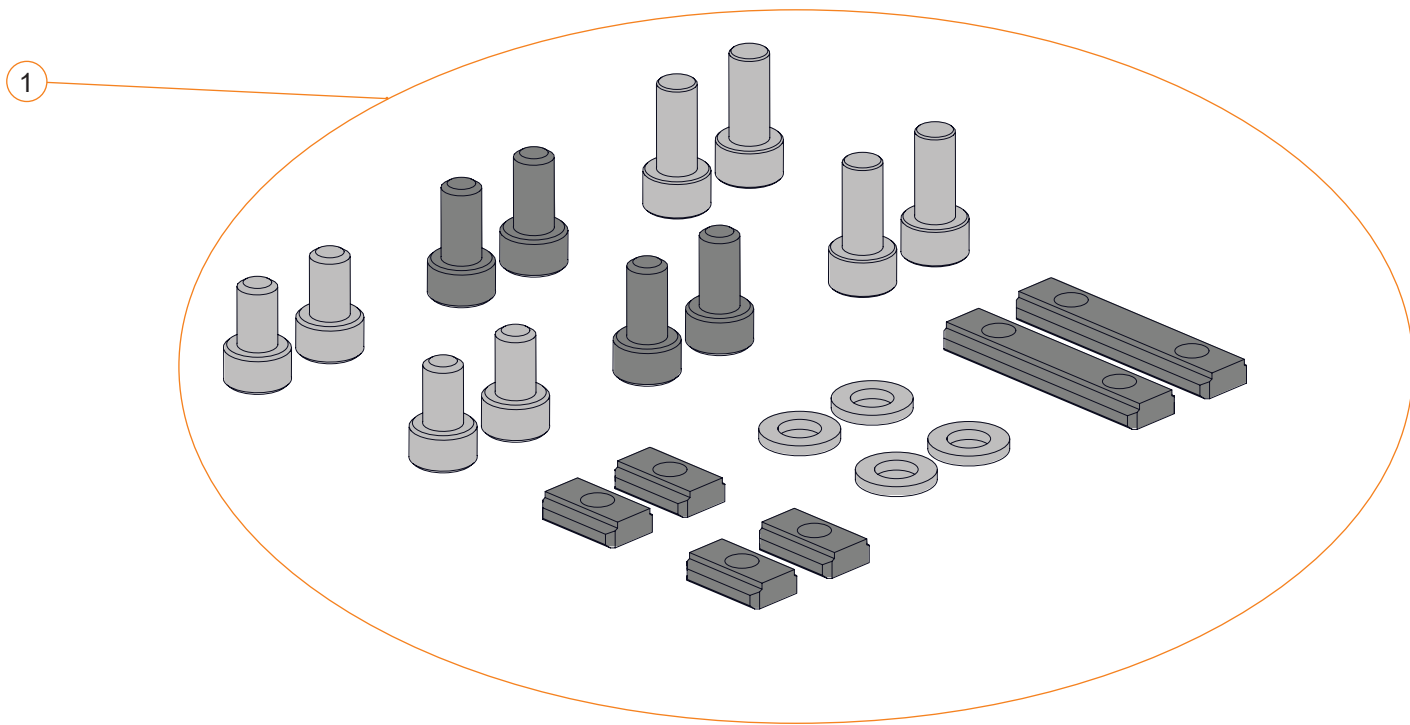


KEYPAD INSTALLATION ON OPPOSITE SIDE OF JOYSTICK			
ITEM #	PART #	DESCRIPTION	EFFECTIVE
1,3-13	1002894	KIT, INST. KEYPAD SW OPPOSITE SIDE OF J-S, DUAL POST ARMREST	2025-03-15
2-13	1002893	KIT, INSTALL KEYPAD SW. OPPOSITE SIDE OF JOYSTICK, TUBE ARMRESTS	2025-03-15
3-14	1005297	KIT, INST. KEYPAD SW OPPOSITE SIDE OF J-S, STS ARM	2025-06-16

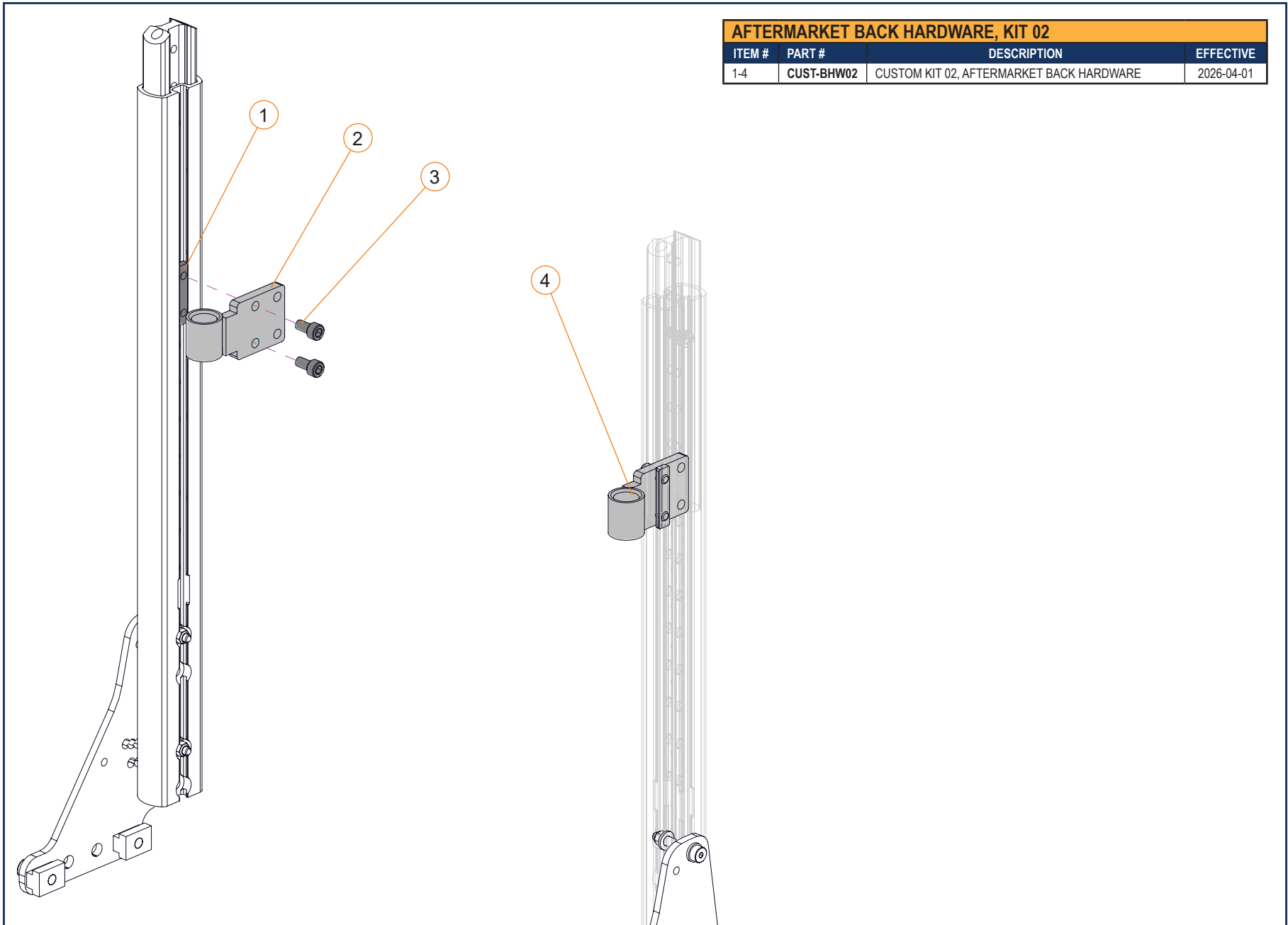


AFTERMARKET BACK HARDWARE - SECTION 5.6.1

AFTERMARKET BACK HARDWARE, KIT 01			
ITEM #	PART #	DESCRIPTION	EFFECTIVE
1	CUST-BHW01	CUSTOM KIT 01, AFTERMARKET BACK HARDWARE	2026-04-01

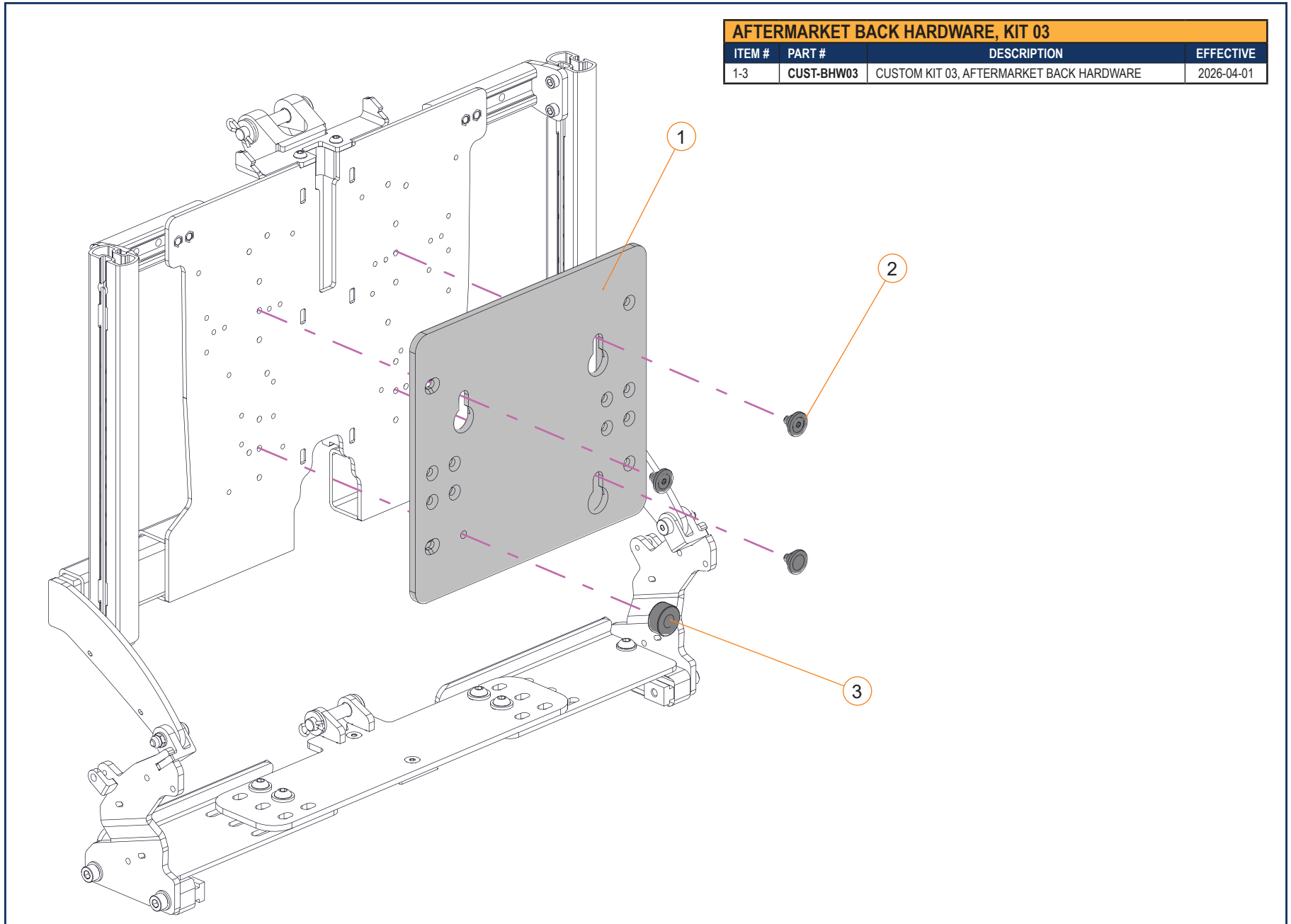


AFTERMARKET BACK HARDWARE - SECTION 5.6.1



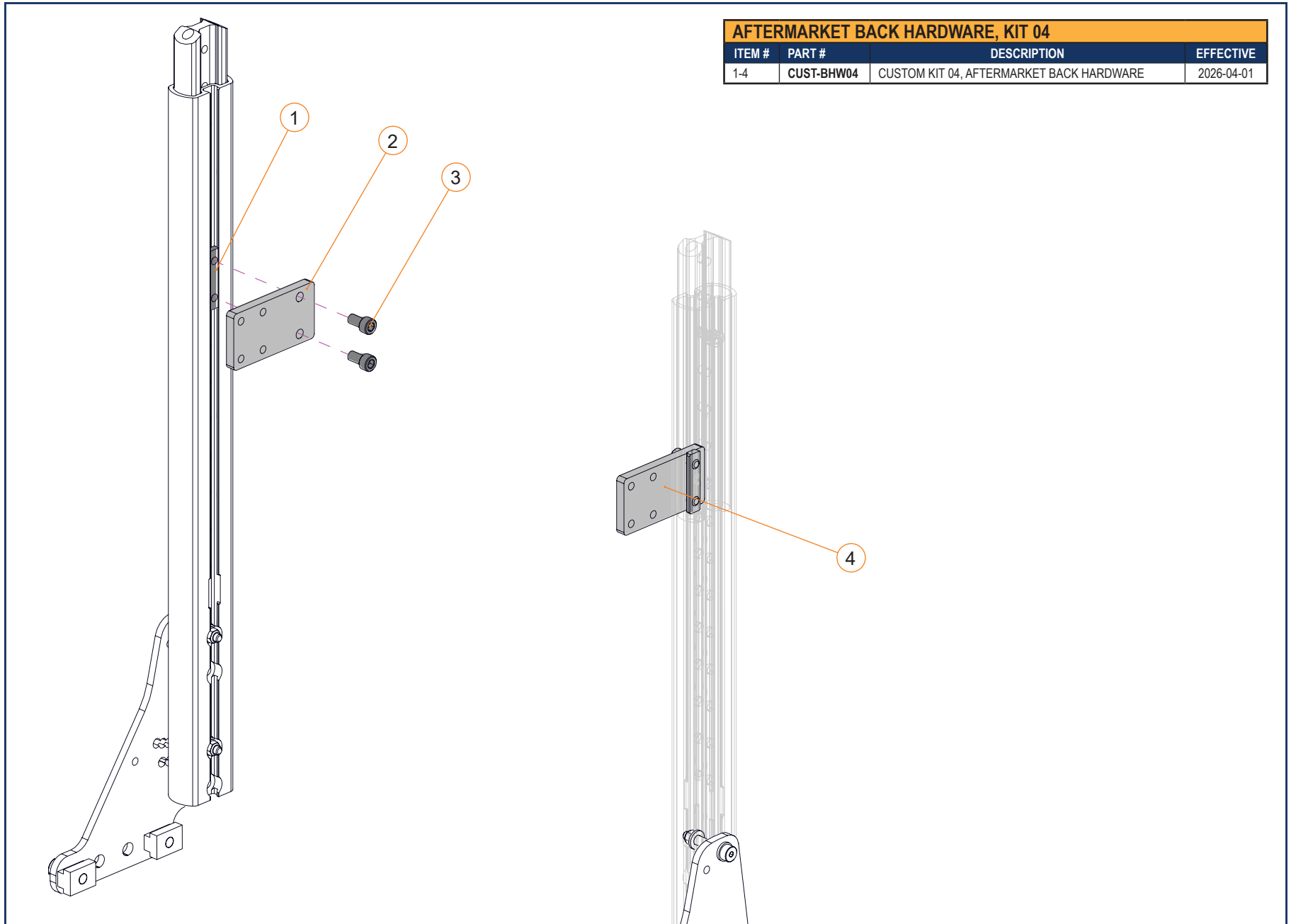
AFTERMARKET BACK HARDWARE, KIT 02			
ITEM #	PART #	DESCRIPTION	EFFECTIVE
1-4	CUST-BHW02	CUSTOM KIT 02, AFTERMARKET BACK HARDWARE	2026-04-01

AFTERMARKET BACK HARDWARE - SECTION 5.6.1



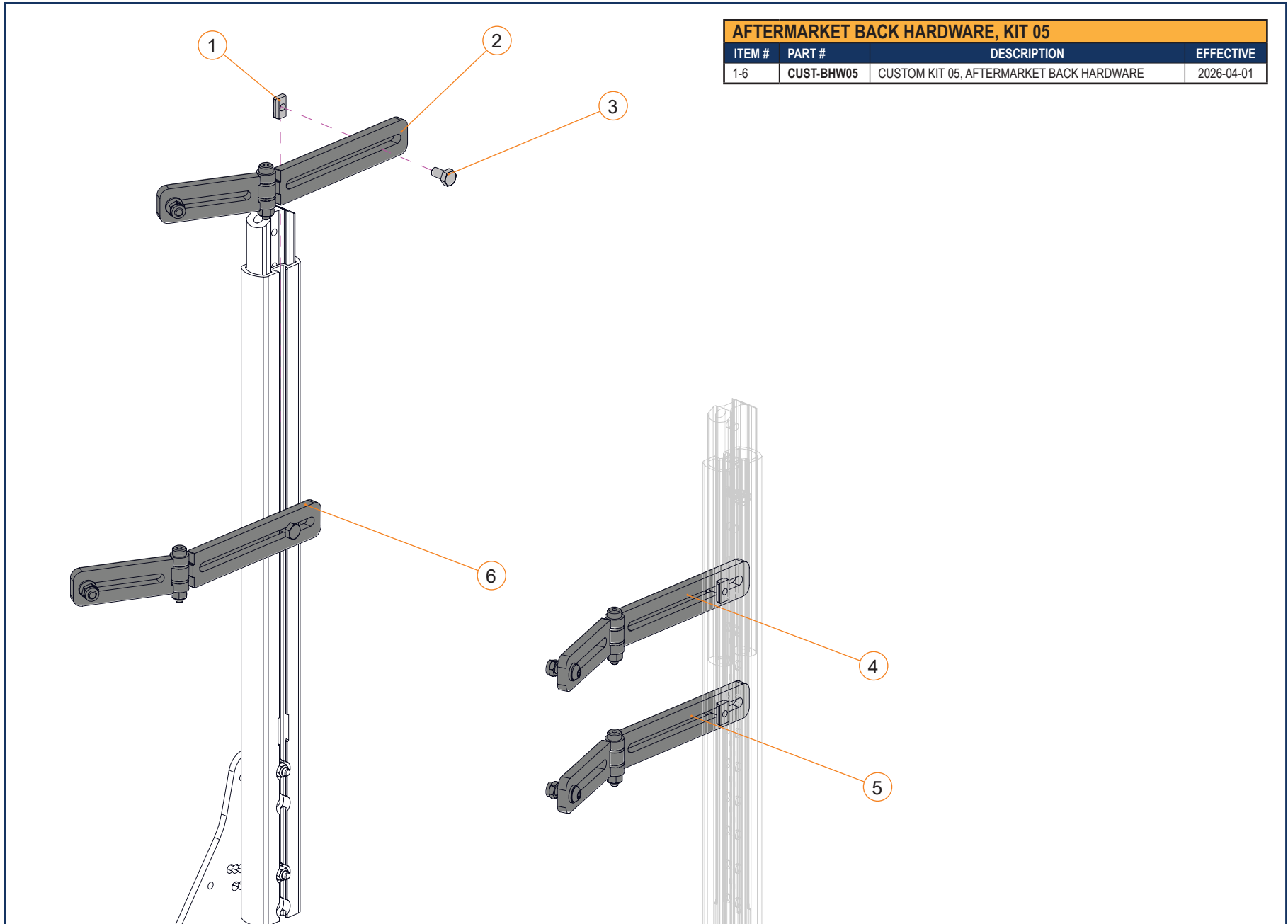
5.6.1.3

**AFTERMARKET BACK HARDWARE - SECTION 5.6.1**

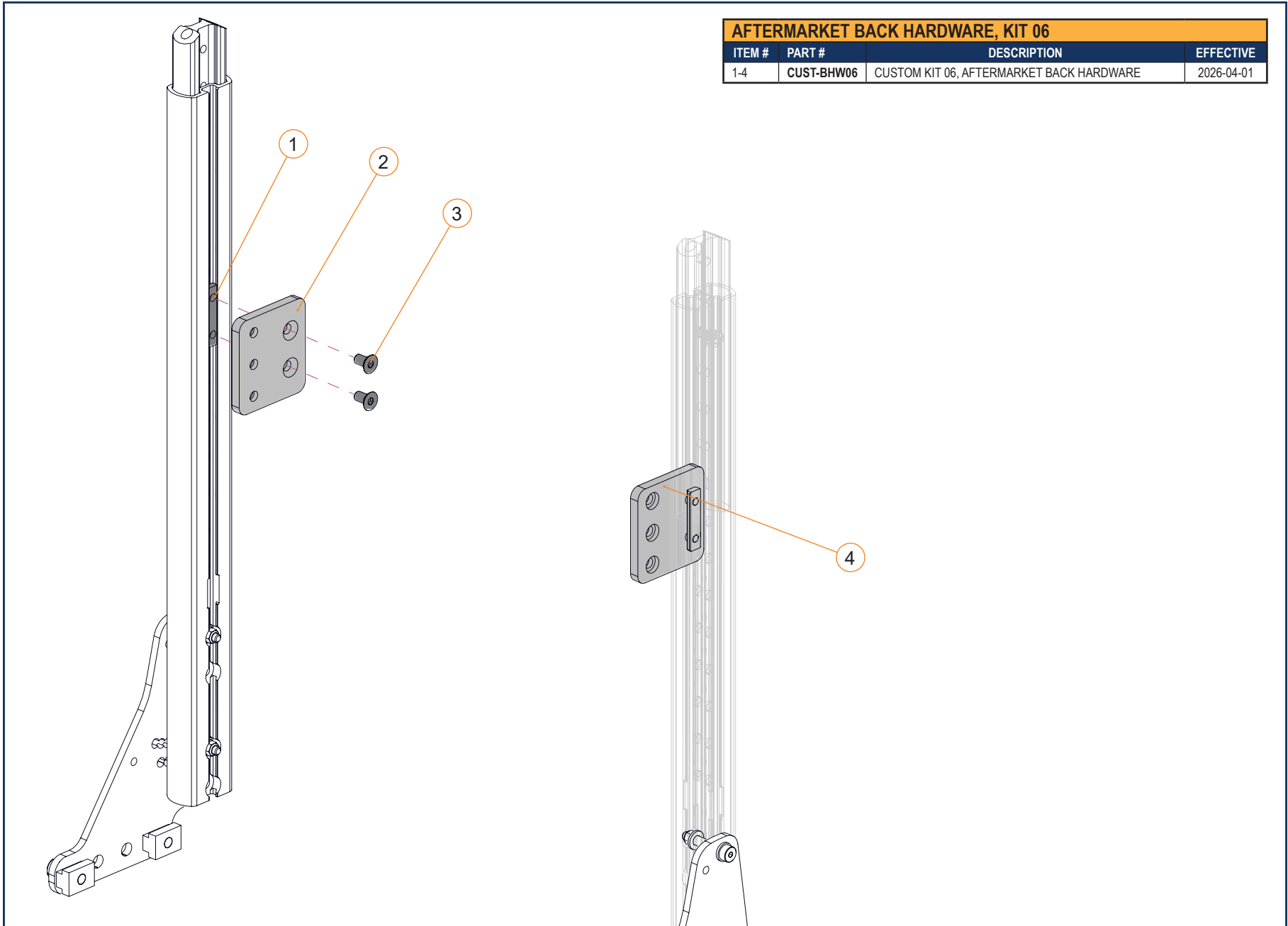


AFTERMARKET BACK HARDWARE, KIT 04			
ITEM #	PART #	DESCRIPTION	EFFECTIVE
1-4	CUST-BHW04	CUSTOM KIT 04, AFTERMARKET BACK HARDWARE	2026-04-01

AFTERMARKET BACK HARDWARE - SECTION 5.6.1

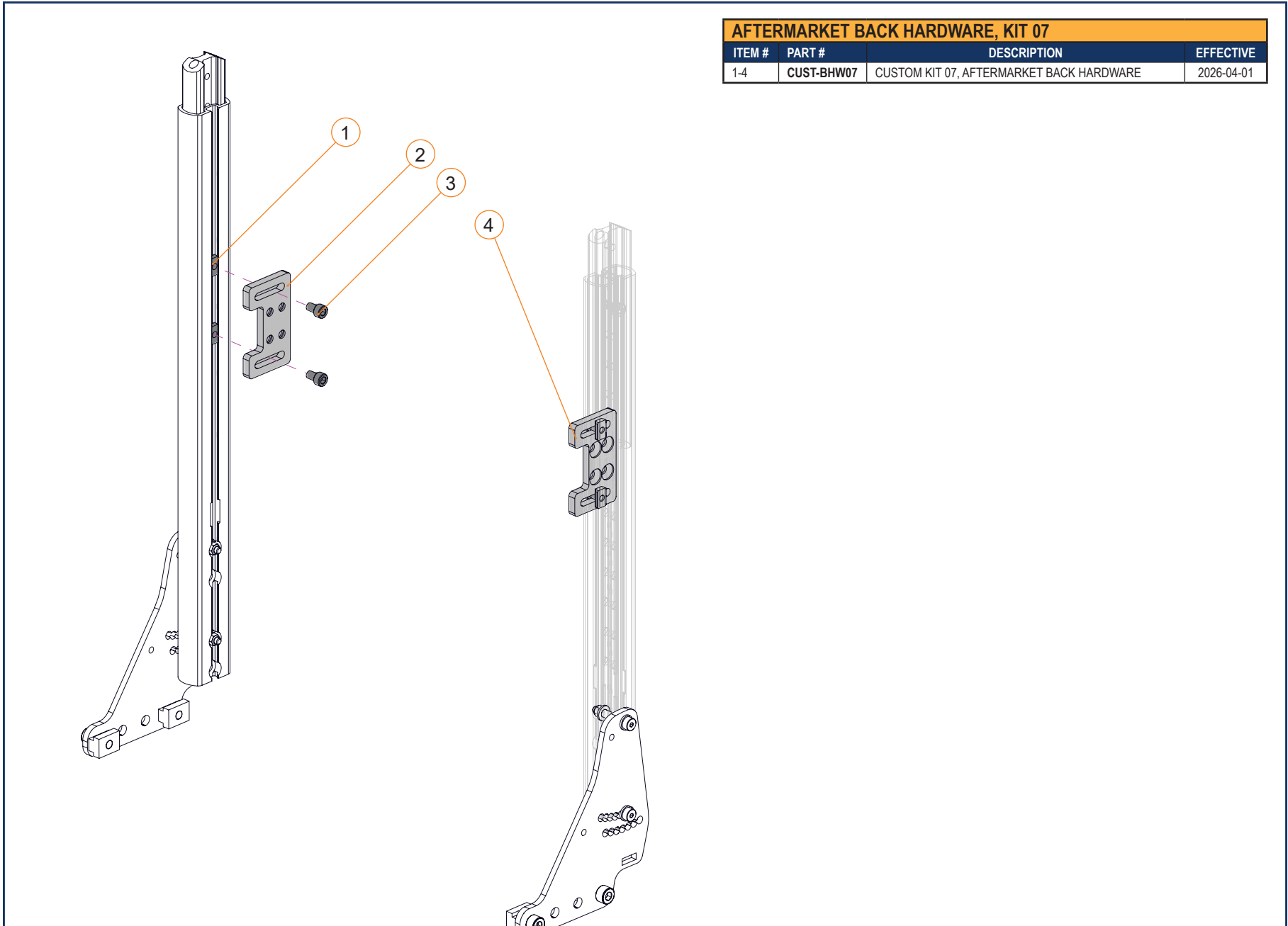


**AFTERMARKET BACK HARDWARE - SECTION 5.6.1**



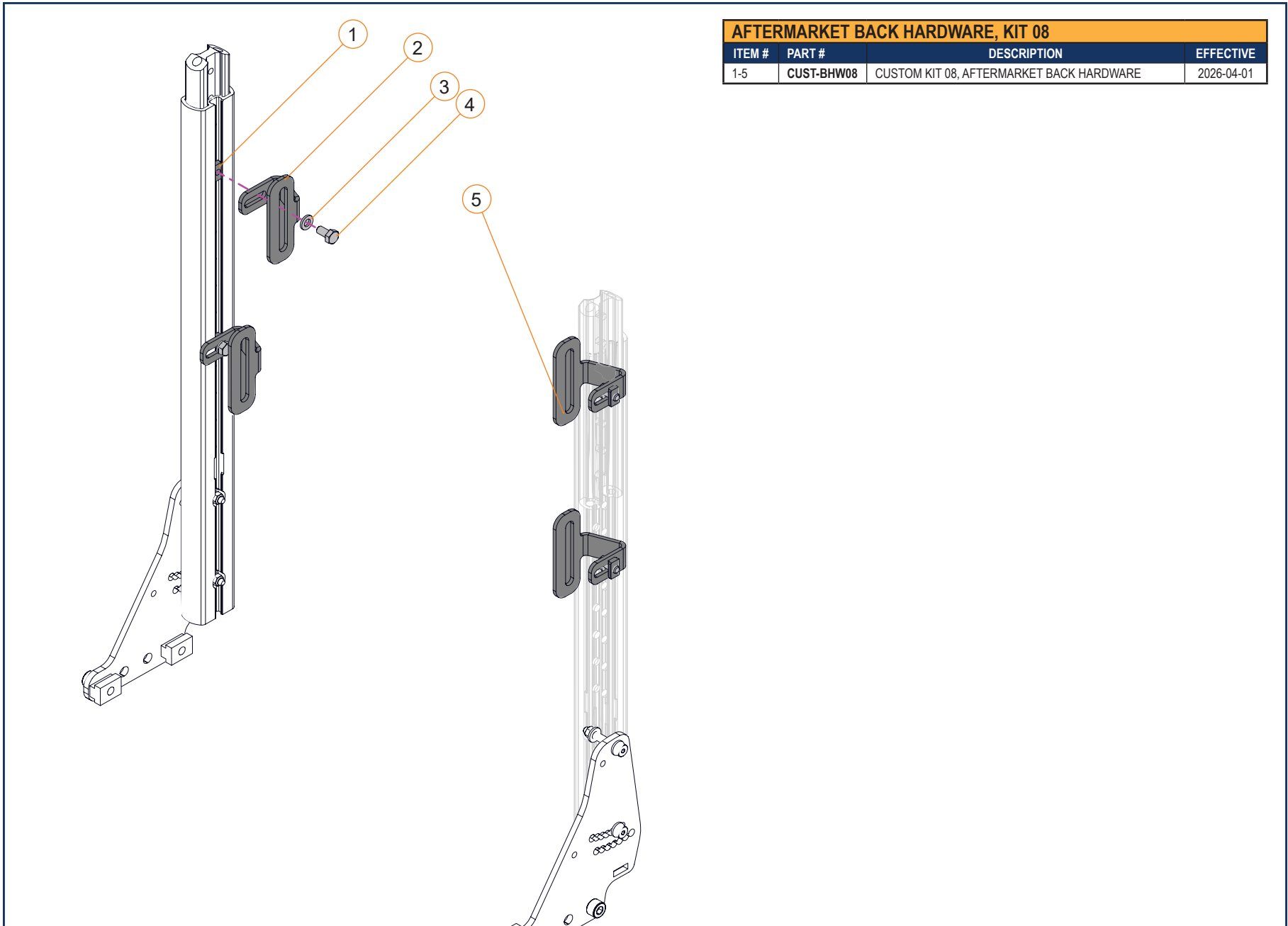
AFTERMARKET BACK HARDWARE, KIT 06			
ITEM #	PART #	DESCRIPTION	EFFECTIVE
1-4	CUST-BHW06	CUSTOM KIT 06, AFTERMARKET BACK HARDWARE	2026-04-01

AFTERMARKET BACK HARDWARE - SECTION 5.6.1



AFTERMARKET BACK HARDWARE, KIT 07			
ITEM #	PART #	DESCRIPTION	EFFECTIVE
1-4	CUST-BHW07	CUSTOM KIT 07, AFTERMARKET BACK HARDWARE	2026-04-01

AFTERMARKET BACK HARDWARE - SECTION 5.6.1



AFTERMARKET BACK HARDWARE, KIT 08			
ITEM #	PART #	DESCRIPTION	EFFECTIVE
1-5	CUST-BHW08	CUSTOM KIT 08, AFTERMARKET BACK HARDWARE	2026-04-01