

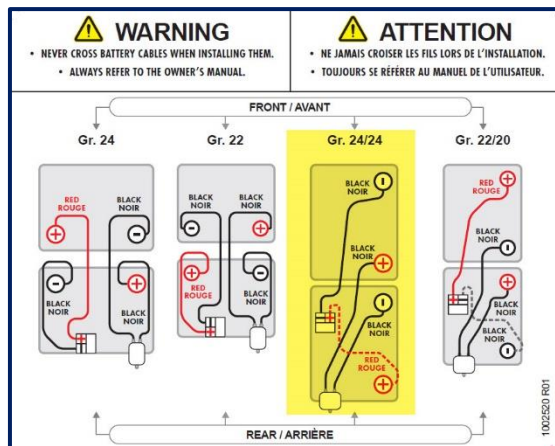
INSTRUCTION GUIDE

GROUP 24/24 BATTERY CONNECTIONS WITH COVERS

GROUPE 24/24 CONNECTIONS

Diagram (A)

The information label for connecting battery cables is located on the inside of the battery access door as shown in image A below.



BATTERIES WITH INTERNAL TERMINALS (with external terminals in next section)

Connection sequence of cables

STEP 1

Place both covers on batteries and lift them as shown in image B. Connect (#1) the breaker's black cable with the plus sign (+) onto the battery's (red) positive terminal. Next, connect (#2) the breaker's black cable with the minus sign (-) onto the (black) negative terminal of the battery on the right.

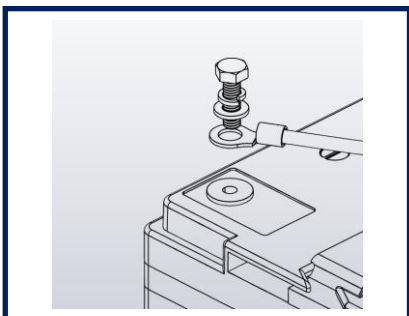


GR. 24 BATTERY CONNECTION (cont'd)
STEP 2

Attach the black connector cable onto the negative terminal of the battery on the left (#3). Next, the red connector cable onto the positive terminal of the battery on the right (#4), as shown in image C.


— NOTES —

When connecting the cables to the battery, it is important to follow the sequence of the hardware as shown in the illustration below.



Make sure that the connectors on the terminals remain down so as not to interfere when closing covers, as shown in image below.


STEP 3

Close covers.


STEP 4

The strap must be routed parallel along both batteries over the covers, as shown in image E.

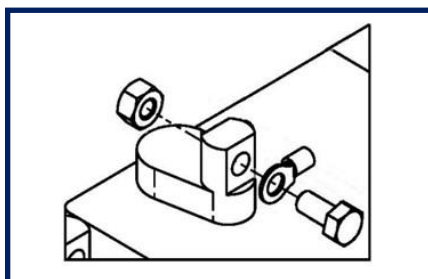


GR. 24 BATTERY CONNECTION (cont'd)
BATTERIES WITH EXTERNAL TERMINALS
Connection sequence of cables
STEP 1

Slide covers to have access to the terminals and to pull the wires for connection, as shown in image F.


— NOTES —

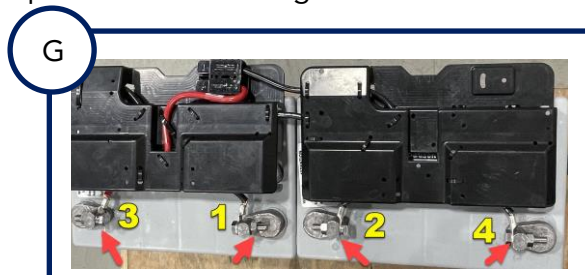
When connecting the cables to the battery, it is important to follow the sequence of the hardware as shown in the illustration below.



Make sure that the connectors on the terminals remain down so as not to interfere when closing covers, as shown in image below.


STEP 2

Connect breaker cables (1 & 2) and connector cables (3 & 4) according to the number sequence shown in image G below.


STEP 3

Lift covers slightly to close them.



GR. 24 BATTERY CONNECTION (cont'd)**STEP 4**

The strap must be routed parallel along both batteries over the covers, as shown in image I.

