



Power add-on for manual wheelchairs



YOMPER+
For user



For attendant
ENJOC



Range up to
21¼ MILES (35 km)

Only
12¾ LB (5.8 kg)

Max
330 LB (150 kg)

Batteries
6 Ah/160 Wh - 10 Ah/240 Wh

✦ Rigid and folding wheelchairs

✦ Attendant control option

✦ Slopes up to 15%



Attendant control
connector

Lithium-ion battery
2 years warranty
Complies with IATA regulations

Front wheel
The 2 small casters at the front
make the Yomper+ stable and
easily installed.

Handle
The handle is raised for installation from
your seat (car, bed, etc.)

250 W Motor
Comfortable and easy to replace

2 taps to start
1 tap to stop

OLED display
- Battery level
- Settings display

Speed selector
10 customizable speeds

Wireless Bluetooth connection



5 LED
Displays selected speed





OUR SECRET

Positioned centrally where it works best!

- + Start it up and discover *new experiences*.
- + With or without the power on, *you will forget* the Yomper+ is there.
- + *The driving wheel does not add any friction* and remains in the optimal position for performance.

UNIQUE BENEFITS THAT MAKE ALL THE DIFFERENCE

Intuitive and worry-free operation

- + Reliable technology for *safe driving*.
- + Drive *effortlessly* over long distances and into places you've never dared to go.



TAILORED TO YOU

Keep your wheelchair

The Yomper+ is compatible with most *rigid or folding wheelchairs*. The folding chair remains foldable thanks to its retractable support!

- + I can configure the Yomper+ *according to my strength* and my mobility requirements.
- + *5 speeds per mode* (indoor or outdoor) allow me to adapt the speed to my environment.

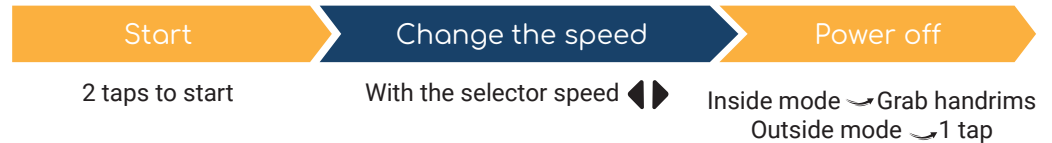


EASY TO DRIVE

The EasyGo control is convenient!

Attached to the chair or on your thigh, the *EasyGo* remote becomes your best friend for an *effortless* daily routine.

- + I steer my wheelchair with the handrims.
- + I brake my wheelchair with the handrims (indoor mode).
- + I navigate thanks to a simple wireless controller.
- + I start smoothly and safely.



EVERYWHERE YOU GO



Small but powerful

Thanks to a powerful 250 W motor capable of speeds up to 6¼ mph (10 km/h), it makes your daily drive easy. *Spare your shoulders and arms* even when navigating difficult conditions (slopes, grass, gravel, etc.).

- + Compact and lightweight (5,8 kg / 12¾ lb), it will be your travel companion (carrying case included).
- + Energy efficient, it has a range of 23 km / 14¼ miles (35 km / 21¾ miles option).
- + Two small casters (at the front of the Yomper+) and a raised handle allow you to *easily attach and remove it from your wheelchair*.

Complies with air transport regulations (IATA)



ALSO MADE FOR YOUR ATTENDANT

You can connect an attendant control to the Yomper+ with a cable. The speed is controlled with an *simple push button* without any loss of performance.

An attendant can *effortlessly* drive and control the wheelchair while walking behind it.

Because the motor is positioned in the center of the wheelchair and no offset to the rear, the attendant is able to *push freely* without anything interfering with their feet.



SPECIFICATIONS

General information

User weight	Max. 330 lb / 150 kg
Maximum slope	Up to 16%
Warranty	2-year warranty, excluding parts subject to wear
Compatibility	Rigid frame wheelchair Folding frame wheelchair


Drive wheel

Motor output	250 W (max. 450 W)
5 levels of acceleration	Adjustable via the EasyGo remote control
5 handrim resistance levels	Adjustable via the EasyGo remote control
5 speeds for indoors and 5 speeds for outdoors	Customizable 0 to 10 km/h (via the EasyGo remote control)

Battery

Standard	24 V 6 Ah/160 Wh lithium-ion
Range	14¼ miles (160 Wh) / 23 km
Waterproof, maintenance-free, recharges in 4 hours, 24-month warranty, complies with air transport regulations (cabin)	

Weight

Yomper+	12¾ lb / 5,8 kg
 EasyGo Remote Control	3 oz / 87 g
Weight without battery	10¼ lb / 4,65 kg

Options

Attendant Control	
Extended range battery	24 V 10 Ah/240 Wh lithium-ion (+¾ lb / 350 g) Range of 21¾ miles / 35 km Yomper+ 13.7 lb / 6,2 kg (with high-capacity battery)



ENJO



Up to
14¼ MILES (23 km)

Only
8.8 LB (4 kg)

Max
330 LB (150 kg)

✦ Fits under all manual wheelchairs ✦ Easy to install and remove ✦ Slopes up to 15%



Lithium-ion battery
2 years warranty
Compliant with IATA regulations

Design
Enjo has a minimalist look

250 W Motor

Battery gauge

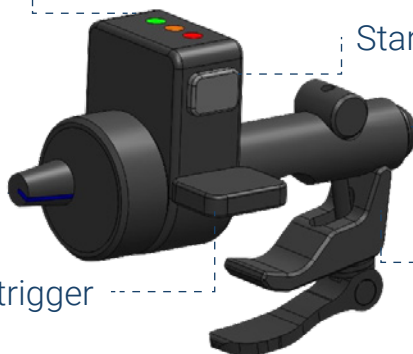
Start/Stop button

Max. speed adjustment

Boost button
Full power on climb

Throttle trigger

Quick fastening system
for wheelchair handle



RELIEVE YOUR ATTENDANT

Intuitive and worry-free driving

Pushing a wheelchair can be difficult, especially when faced with slopes or long distances.

Fatigue, muscle pain and stress can quickly set in and will limit your movements.



FITS UNDER ALL MANUAL WHEELCHAIRS

Compact design

Enjo can be installed on manual *fixed and folding frame wheelchairs as well as comfort wheelchairs* which can be very heavy to push!

Enjo is designed for wheelchairs with drums brakes, or for users that don't need brakes.



EASY TO INSTALL AND REMOVE

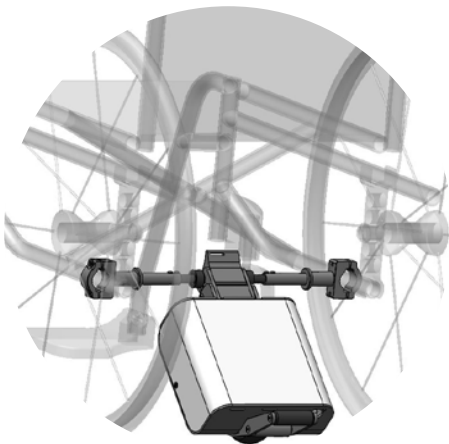
Light and adjustable

You can install the Enjo in the blink of an eye!

Only *8.8 lb / 4 kg* to handle, and *easily attached* to the Enjo support bar mounted on your wheelchair. And off you go!

The Enjo is designed to be easily transferred *from one chair to another in a matter of seconds*.

This is an important advantage, particularly for rehabilitation centers, hospitals, retirement homes and long term care facilities.



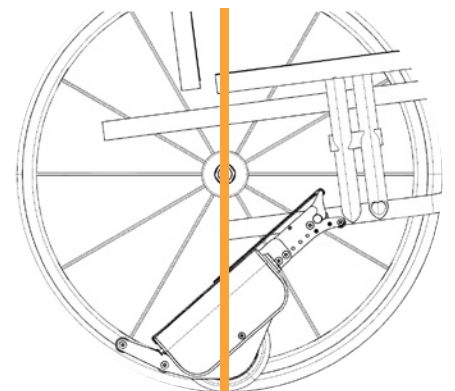
POSITIONED CENTRALLY ON THE WHEELCHAIR

Easy to handle

With *10 years of experience with the Yomper+*, the Enjo is also positioned along the central axis of the wheelchair.

You still have *total maneuverability of the wheelchair* even when the motor is off.

Because this position has no offset at the rear of the wheelchair, the attendant can push the chair *without any obstruction behind to hinder the feet*.



For more information:



1.450.424.7111

1.877.913.5467

info@amylor.com

www.amylor.com

