

6.1 - VR2

- 6.1.1 - VR2 CABLES**
 - VR2 JOYSTICK CABLES 6.1.1.1
- 6.1.2 - VR2 JOYSTICK**
 - VR2 JOYSTICK 6.1.2.1
- 6.1.3 - VR2 POWER MODULE**
 - VR2 POWER MODULE 6.1.3.1
 - VR2 POWER MODULE 6.1.3.2
- 6.1.4 - VR2 ATTENDANT JOYSTICK**
 - VR2 ATTENDANT JOYSTICK 6.1.4.1

6.2 - R-NET

- 6.2.1 - R-NET BUS CABLES**
 - R-NET BUS CABLES..... 6.2.1.1
- 6.2.2 - R-NET JOYSTICKS**
 - R-NET EL JOYSTICKS 6.2.2.1
 - R-NET COLOR JOYSTICKS 6.2.2.2
 - R-NET ADVANCED JOYSTICK 6.2.2.3
- 6.2.3 - R-NET POWER MODULE**
 - R-NET POWER MODULE..... 6.2.3.1
- 6.2.4 - R-NET ATTENDANT JOYSTICK**
 - R-NET ATTENDANT JOYSTICK 6.2.4.1
- 6.2.5 - R-NET DISPLAY**
 - R-NET OMNI DISPLAY..... 6.2.5.1
 - R-NET OMNI 2 DISPLAY 6.2.5.2
 - R-NET OMNI 2 INTERFACE MODULE ON RECLINING BACK 6.2.5.3
 - R-NET OMNI 2 INTERFACE MODULE ON FIXED BACK 6.2.5.4
 - R-NET OMNI 2 CHARGER EXTENSION 6.2.5.5
 - R-NET OMNI 2 HARNESS..... 6.2.5.6
- 6.2.6 - ENVIRONMENTAL CONTROL UNIT**
 - R-NET IOM MODULE 6.2.6.1
- 6.2.7 - POWER SEATING CONTROLLERS**
 - INTELLIGENT SEATING MODULE (ISM)..... 6.2.7.1
 - CONTROLLER MODULE, E-BX, R-NET VERSION..... 6.2.7.2
 - E-BX MULTIPLE ACTUATOR CONTROLLER 6.2.7.3
 - E-BX MULTI..... 6.2.7.4

6.2.8 - WIRELESS COMMUNICATIONS MODULES

- R-NET BLUETOOTH MODULE..... 6.2.8.1

6.2.9 - ASSISTIVE DRIVING PACKAGE

- SMART TRACK MOTOR ENCODERS 6.2.9.1
- ENCODERS FOR SMART TRACK MOTORS 5.4 MPH AND 8.5 MPH, SRG04 6.2.9.2
- SMART TRACK, LINUX MOTOR ENCODERS - **New**..... 6.2.9.3

6.3 - LIGHTS

6.3.1 - STANDARD LIGHTS

- REAR POSITION LIGHT 6.3.1.1

6.3.2 - LED LIGHTS

- LED LIGHT PACKAGE, R-NET OR VR2 6.3.2.1
- LED LIGHT PACKAGE WITH ELECTRO. FIXED BACK, R-NET 6.3.2.2
- LED LIGHT PACKAGE WITH ELECTRO. FIXED BACK, R-NET 6.3.2.3
- LED LIGHT PACKAGE WITH ELECTRO., RECL. BACK, R-NET 6.3.2.4
- LED LIGHT PACKAGE WITH ELECTRO., RECL. BACK, R-NET 6.3.2.5
- LED LIGHT PACKAGE, VR2 6.3.2.6
- LED LIGHT PACKAGE, VR2 6.3.2.7
- LED LIGHT PACKAGE WITH ELECTRO., STANDER, R-NET E-BX..... 6.3.2.5

6.4 - PROGRAMMERS

6.4.1 -VR2

- VR2 PROGRAMMER & PCP KIT..... 6.4.1.1

6.4.2 - R-NET

- R-NET - PROGRAMMER & PCP KIT 6.4.2.1
- R-NET - PROGRAMMER & PCP KIT 6.4.2.2
- R-NET WIFI PROGRAMMER 6.4.2.3

6.5 - BATTERIES

6.5.1 -BATTERY HARNESS

- BATTERY HARNESS AND COVER KIT 6.5.1.1
- BATTERIES AND BATTERY HARNESS 6.5.1.2
- BATTERIES AND BATTERY HARNESS 6.5.1.3
- BATTERY CHARGER..... 6.5.1.4

6.6 - JOYSTICK ACCESSORIES

6.6.1 -JOYSTICK KNOBS

- STANDARD JOYSTICK KNOBS..... 6.6.1.1
- CUSTOM JOYSTICK KNOBS..... 6.6.1.2

LEGEND

CURRENT

• These parts and assemblies are currently being produced and delivered.*

SERVICEABLE PARTS

• These parts and assemblies are not currently being produced or delivered on new chairs, but they are available as replacement service parts.*

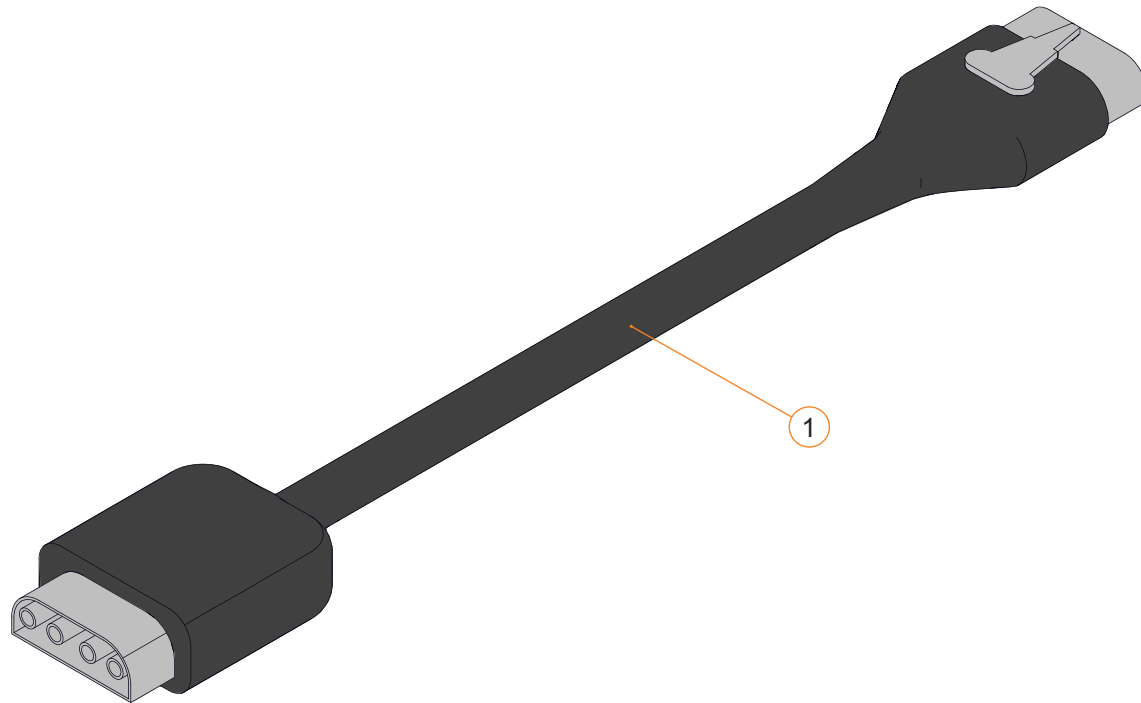
DISCONTINUED

• These parts and assemblies are no longer being produced or delivered on new chairs, and they are not available as replacement service parts.*

* Please contact Technical Support for information on the replacement parts and assemblies.

VR2 CABLES - SECTION 6.1.1

VR2 JOYSTICK CABLES			
ITEM #	PART #	DESCRIPTION	EFFECTIVE
1A	D00230	VR2 20 IN BUS CABLE	2012-04-02
1B	D00209	VR2 40 IN BUS CABLE	2012-04-02
1C	D00289	VR2 76 IN BUS CABLE	2012-04-02



VR2 JOYSTICK - SECTION 6.1.2

VR2 JOYSTICK			
ITEM #	PART #	DESCRIPTION	EFFECTIVE
1	B00313	VR2 9-KEY JOYSTICK REPLACEMENT KEYPAD	2011-08-08
2	B00333	STANDARD JOYSTICK KNOB	2011-08-08
3	B00332	JOYSTICK GAITER	2011-08-08
4	B00310	VR2 9-KEY JOYSTICK CABLE AND CHARGER PORT	2011-08-08
6	B00309	VR2 JOYSTICK CABLE AND CHARGER PORT	2011-08-08
7	B00312	VR2 6-KEY JOYSTICK REPLACEMENT KEYPAD	2011-08-08
9	B00311	VR2 4-KEY JOYSTICK REPLACEMENT KEYPAD	2011-08-08
2, 3, 6, 9, 10	D50677	VR2 4-KEY JOYSTICK	2010-02-25
2, 3, 6, 7, 8	D50680	VR2 6-KEY JOYSTICK	2010-02-25
1-5	D50871	VR2 9-KEY JOYSTICK	2010-02-25



VR2 POWER MODULE - SECTION 6.1.3

VR2 POWER MODULE			
ITEM #	PART #	DESCRIPTION	EFFECTIVE
1	D51086	VR2 90AMP POWER MODULE	2008-05-28



VR2 POWER MODULE - SECTION 6.1.3

VR2 POWER MODULE			
ITEM #	PART #	DESCRIPTION	EFFECTIVE
1	D51892	VR2 90AMP POWER MODULE	2023-07-01



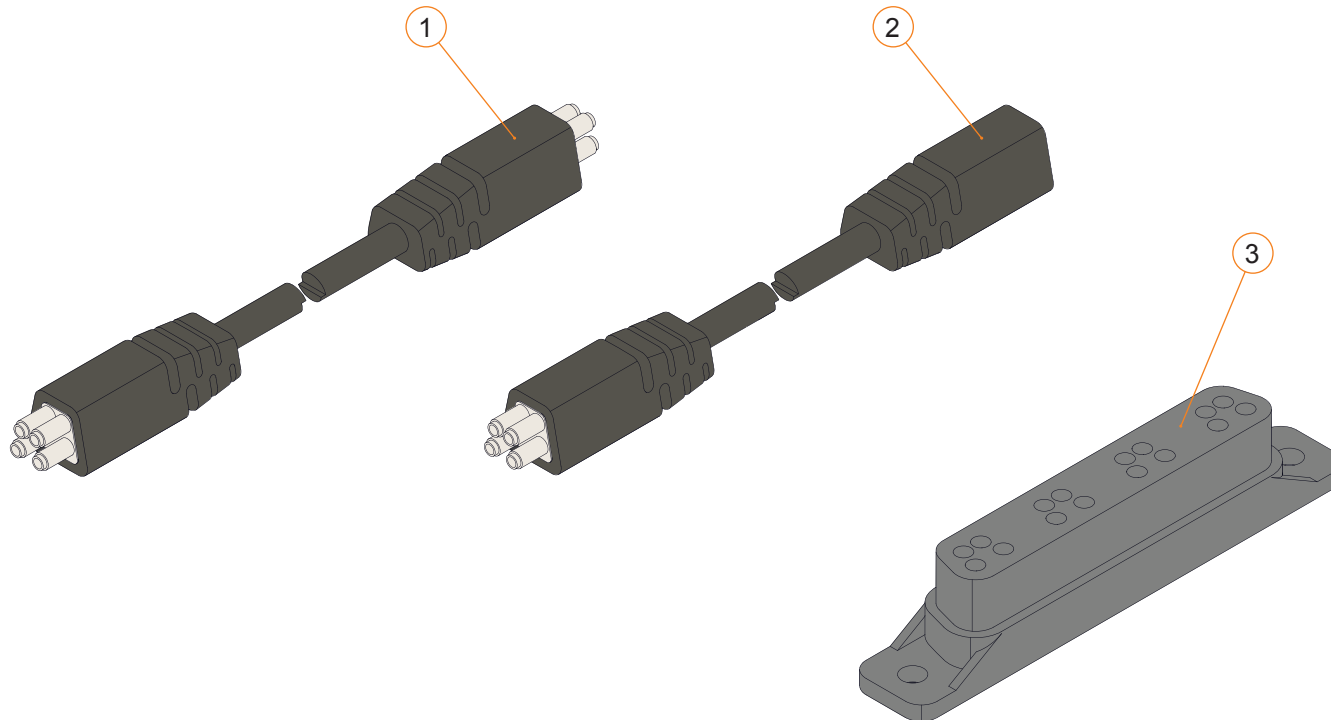
VR2 ATTENDANT JOYSTICK - SECTION 6.1.4

VR2 ATTENDANT JOYSTICK			
ITEM #	PART #	DESCRIPTION	EFFECTIVE
1	D00267	VR2 ATTENDANT BUS CABLE	2009-10-16
2	D50872	VR2 ATTENDANT JOYSTICK	2009-05-01
1-2	EC-0271	VR2 ATTENDANT JOYSTICK KIT	2016-03-24



R-NET BUS CABLES - SECTION 6.2.1

R-NET BUS CABLES			
ITEM #	PART #	DESCRIPTION	EFFECTIVE
1A	D00168	R-NET 0.5M BUS CABLE, MALE-MALE	2008-04-30
1B	D00169	R-NET 1.0M BUS CABLE, MALE-MALE	2008-04-30
1C	D00170	R-NET 1.2M BUS CABLE, MALE-MALE	2008-04-30
1D	D00171	R-NET 1.5M BUS CABLE, MALE-MALE	2008-04-30
1E	D00172	R-NET 2.0M BUS CABLE, MALE-MALE	2008-04-30
1F	D00173	R-NET 2.5M BUS CABLE, MALE-MALE	2008-04-30
1G	D00323	R-NET 3.5M BUS CABLE, MALE-MALE	2016-08-04
2	D00231	R-NET 1.0M BUS CABLE, MALE-FEMALE	2008-04-30
3	D50829	R-NET BUS BAR	2009-03-06



R-NET JOYSTICKS - SECTION 6.2.2



R-NET EL JOYSTICKS			
ITEM #	PART #	DESCRIPTION	EFFECTIVE
1	B00300	R-NET EL W/ LIGHTS JOYSTICK REPLACEMENT KEYPAD	2011-08-08
2	B00333	STANDARD JOYSTICK KNOB	2011-08-08
3	B00332	JOYSTICK GAITER	2011-08-08
4	B00392	R-NET EL JOYSTICK CABLE AND CHARGER PORT	2016-11-30
6	B00299	R-NET EL JOYSTICK REPLACEMENT KEYPAD	2011-08-08
2-4, 6, 7	D51315	R-NET EL JOYSTICK WITH 700 MM CABLE	2014-04-16
1-5	D51316	R-NET EL JOYSTICK LIGHT WITH 700 MM CABLE	2014-04-16

R-NET COLOR JOYSTICKS			
ITEM #	PART #	DESCRIPTION	EFFECTIVE
1	B00303	R-NET JOYSTICK REPLACEMENT FRONT KEYPAD W/ LIGHTS	2011-08-08
2	B00304	R-NET JOYSTICK REPLACEMENT REAR KEYPAD W/ LIGHTS	2011-08-08
3	B00333	STANDARD JOYSTICK KNOB	2011-08-08
4	B00332	JOYSTICK GAITER	2011-08-08
5	B00375	R-NET JOYSTICK CABLE	2016-11-30
8	B00302	R-NET JOYSTICK REPLACEMENT REAR KEYPAD	2011-08-08
9	B00301	R-NET JOYSTICK REPLACEMENT FRONT KEYPAD	2011-08-08
3-5, 8-10	D51528	R-NET COLOR JOYSTICK, W/ 700 MM CABLE	2014-04-16
1-5, 7	D51531	R-NET COLOR JOYSTICK, W/LIGHTS, W/ 700 MM CABLE	2014-04-16





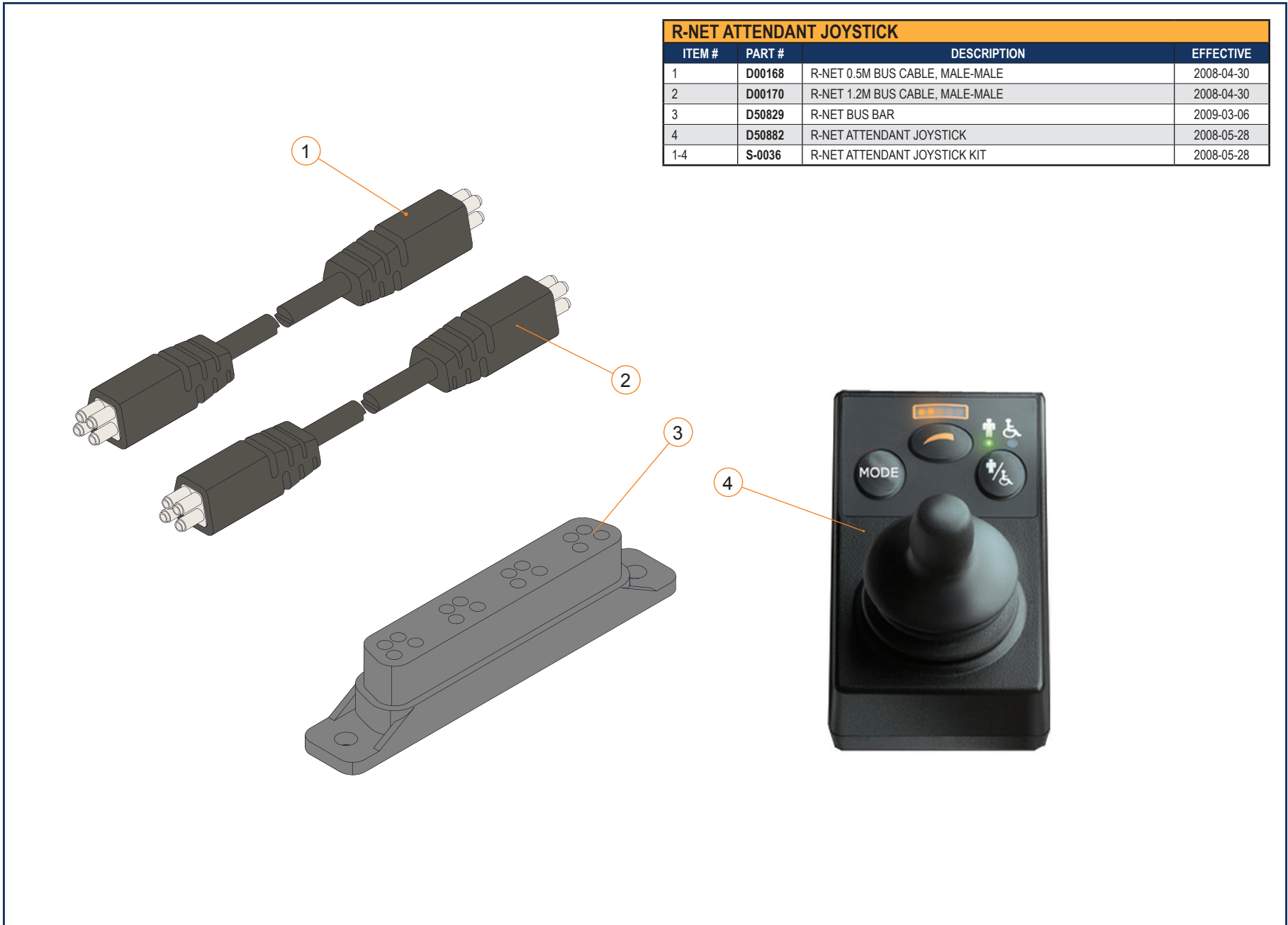
R-NET ADVANCED JOYSTICKS			
ITEM #	PART #	DESCRIPTION	EFFECTIVE
1A	B00365	R-NET ADV-JSM REPLACEMENT STANDARD KEYPAD, RH	2016-09-16
1B	B00367	R-NET ADV-JSM REPLACEMENT STANDARD KEYPAD, LH	2016-09-16
1C	B00369	R-NET ADV-JSM REPLACEMENT KEYPAD ON-PROFILE, RH	2016-09-16
1D	B00370	R-NET ADV-JSM REPLACEMENT KEYPAD ON-PROFILE, LH	2016-09-16
3	B00333	STANDARD JOYSTICK KNOB	2016-09-16
4	B00332	JOYSTICK GAITER	2016-09-16
5	D00321	R-NET 1.5M ADV JSM CABLE, MALE-MALE	2016-09-16
6	D00322	R-NET 0.8M ADV JSM CABLE, MALE-FEMALE	2016-09-16
1A, 2-4	D51715	R-NET ADVANCED JOYSTICK W/BLEETOOTH	2016-09-16



R-NET POWER MODULE			
ITEM #	PART #	DESCRIPTION	EFFECTIVE
1	D51109	R-NET POWER MODULE 90AMP	2008-05-28
2	D50903	R-NET POWER MODULE 120AMP	2008-05-28



R-NET ATTENDANT JOYSTICK - SECTION 6.2.4



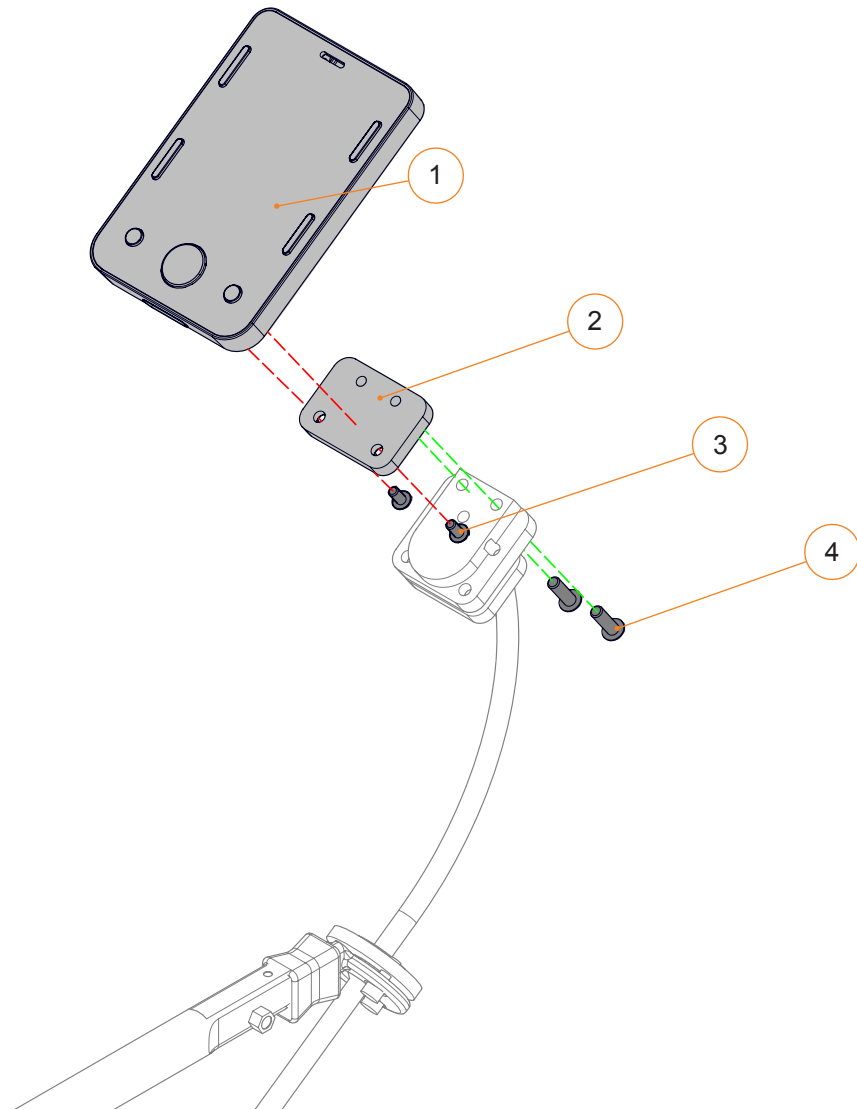
R-NET ATTENDANT JOYSTICK			
ITEM #	PART #	DESCRIPTION	EFFECTIVE
1	D00168	R-NET 0.5M BUS CABLE, MALE-MALE	2008-04-30
2	D00170	R-NET 1.2M BUS CABLE, MALE-MALE	2008-04-30
3	D50829	R-NET BUS BAR	2009-03-06
4	D50882	R-NET ATTENDANT JOYSTICK	2008-05-28
1-4	S-0036	R-NET ATTENDANT JOYSTICK KIT	2008-05-28

R-NET OMNI DISPLAY			
ITEM #	PART #	DESCRIPTION	PRIOR TO
1	D51527	R-NET OMNI SID INTERFACE MODULE	2019-12-01

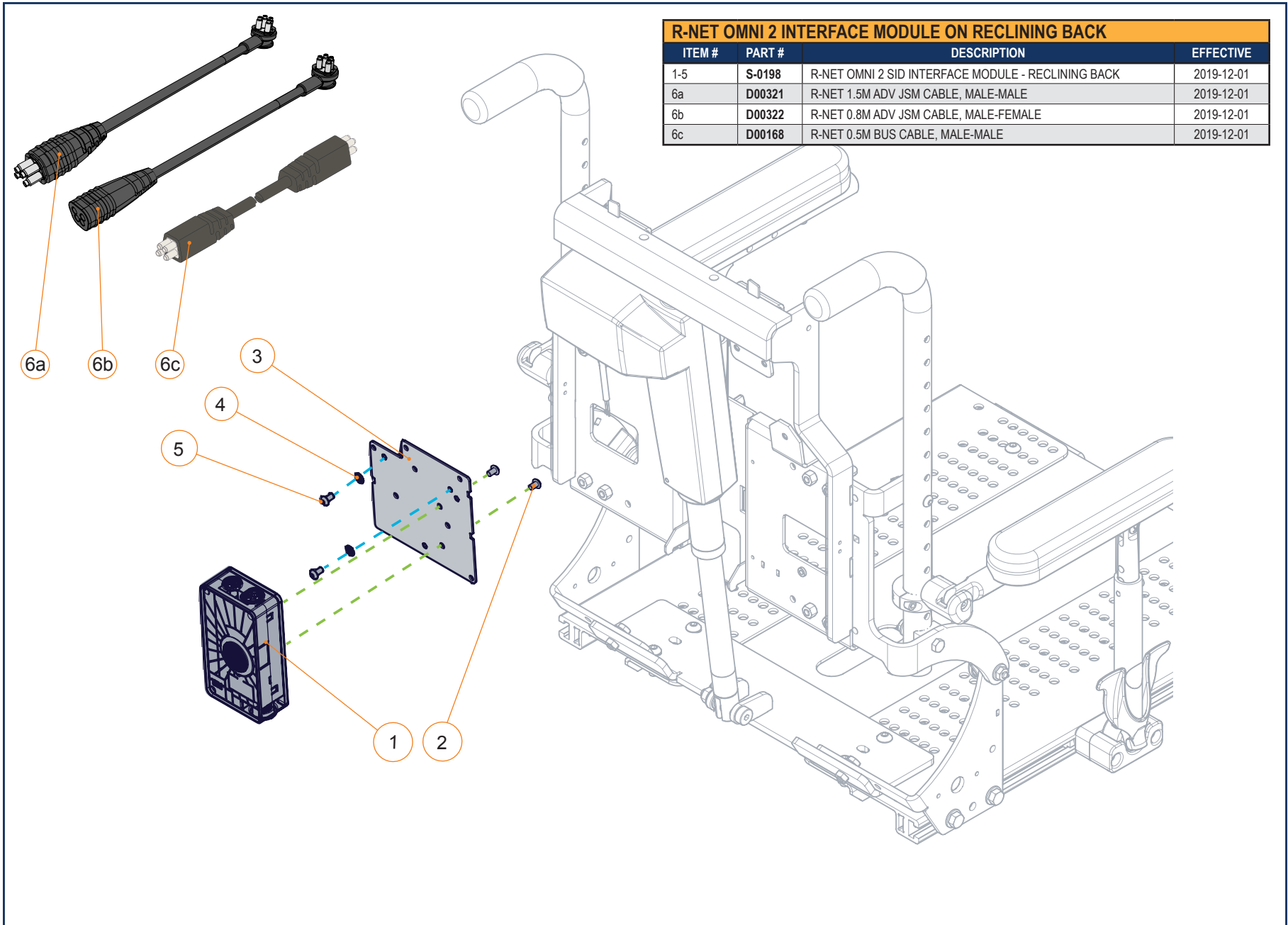


R-NET DISPLAY - SECTION 6.2.5

R-NET OMNI 2 DISPLAY			
ITEM #	PART #	DESCRIPTION	EFFECTIVE
1-4	S-0194	R-NET OMNI 2 SID INTERFACE SCREEN	2019-12-01

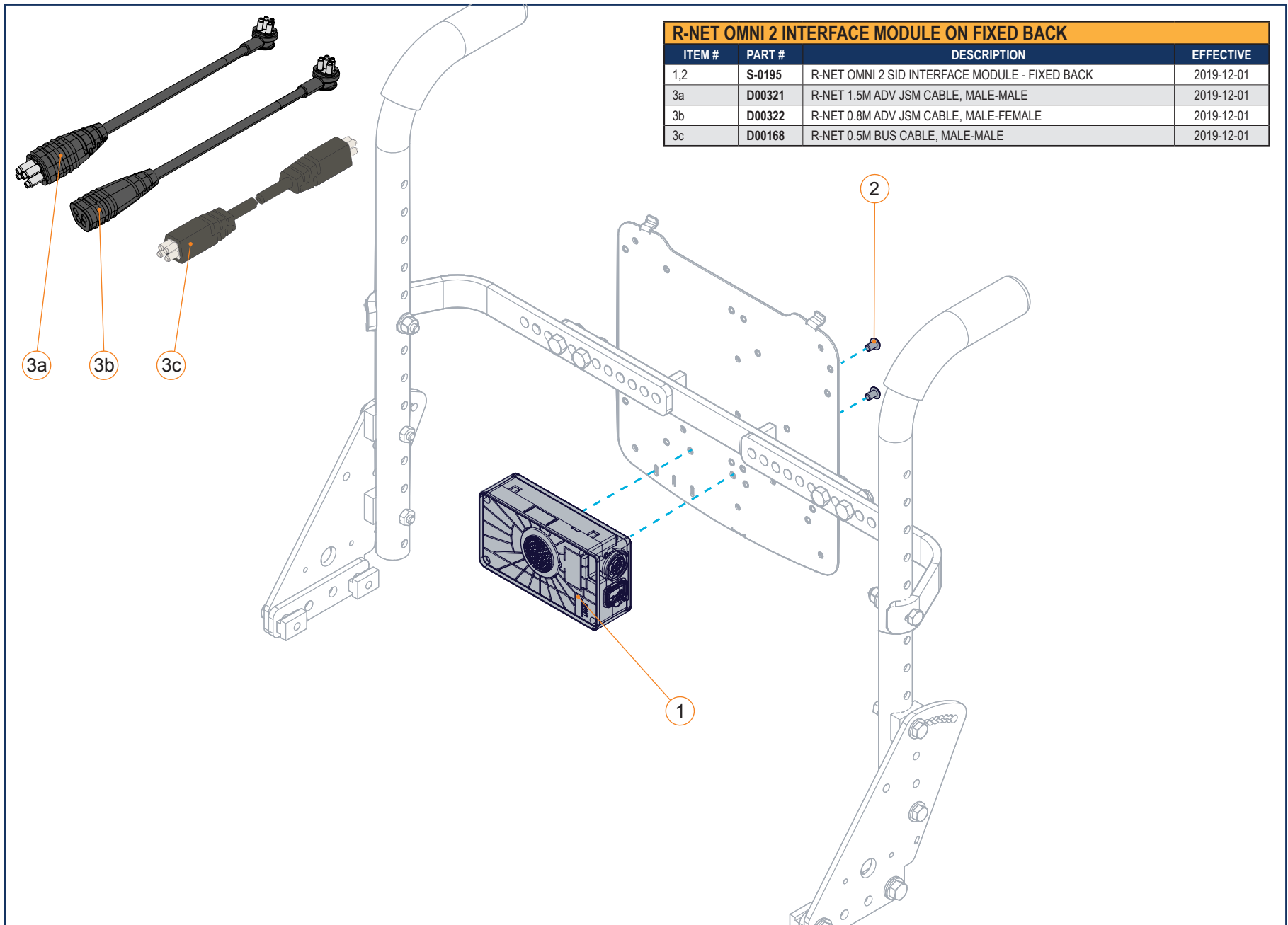


R-NET DISPLAY - SECTION 6.2.5



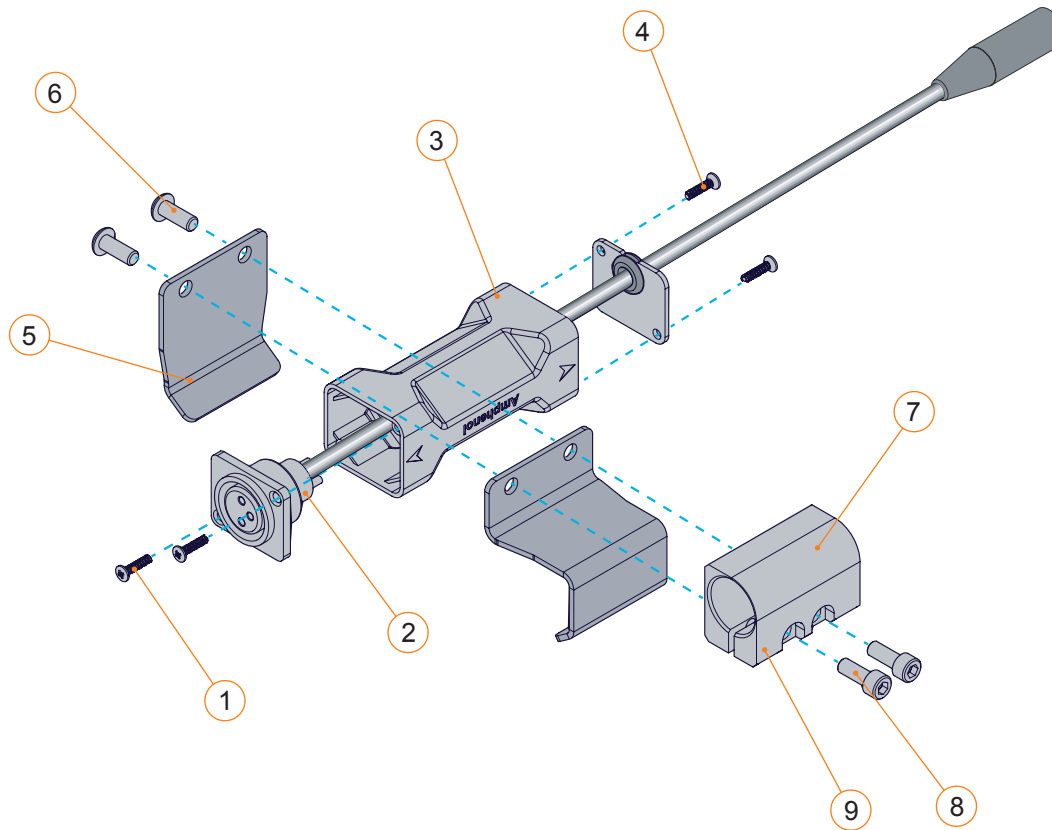
R-NET OMNI 2 INTERFACE MODULE ON RECLINING BACK			
ITEM #	PART #	DESCRIPTION	EFFECTIVE
1-5	S-0198	R-NET OMNI 2 SID INTERFACE MODULE - RECLINING BACK	2019-12-01
6a	D00321	R-NET 1.5M ADV JSM CABLE, MALE-MALE	2019-12-01
6b	D00322	R-NET 0.8M ADV JSM CABLE, MALE-FEMALE	2019-12-01
6c	D00168	R-NET 0.5M BUS CABLE, MALE-MALE	2019-12-01

R-NET DISPLAY - SECTION 6.2.5

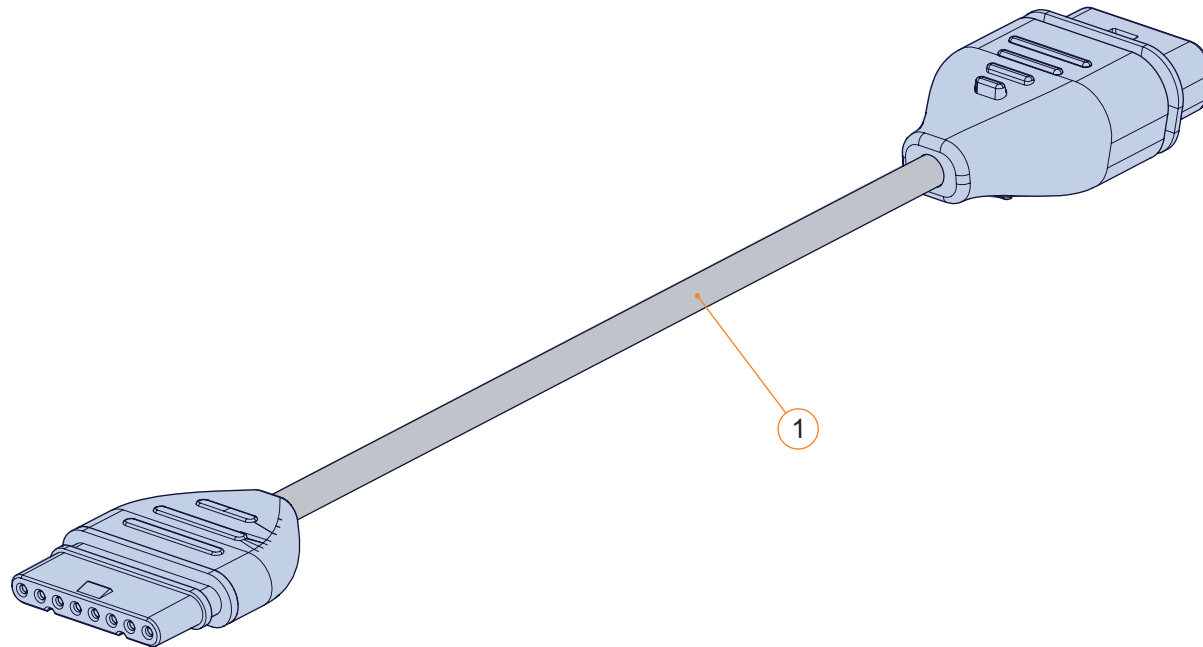


R-NET OMNI 2 INTERFACE MODULE ON FIXED BACK			
ITEM #	PART #	DESCRIPTION	EFFECTIVE
1,2	S-0195	R-NET OMNI 2 SID INTERFACE MODULE - FIXED BACK	2019-12-01
3a	D00321	R-NET 1.5M ADV JSM CABLE, MALE-MALE	2019-12-01
3b	D00322	R-NET 0.8M ADV JSM CABLE, MALE-FEMALE	2019-12-01
3c	D00168	R-NET 0.5M BUS CABLE, MALE-MALE	2019-12-01

R-NET OMNI 2 CHARGER EXTENSION			
ITEM #	PART #	DESCRIPTION	EFFECTIVE
1-9	S-0197	OMNI 2 CHARGER EXTENSION CABLE W/ MOUNTING BRACKET	2019-12-01



R-NET OMNI 2 HARNESS			
ITEM #	PART #	DESCRIPTION	EFFECTIVE
1	S-0196	R-NET 2M CABLE FOR OMNI 2	2019-12-01



R-NET IOM MODULE			
ITEM #	PART #	DESCRIPTION	EFFECTIVE
1	D50883	INPUT/OUTPUT MODULE,R-NET(IOM)	2008-05-28



INTELLIGENT SEATING MODULE (ISM)

ITEM #	PART #	DESCRIPTION	PRIOR TO
1A	D51290	RNET LIGHT CONTROLLER, WITH 2 POWER OPTIONS	2019-11-25
1B	D50927	RNET LIGHT CONTROLLER, WITH 6 POWER OPTIONS	2019-11-25

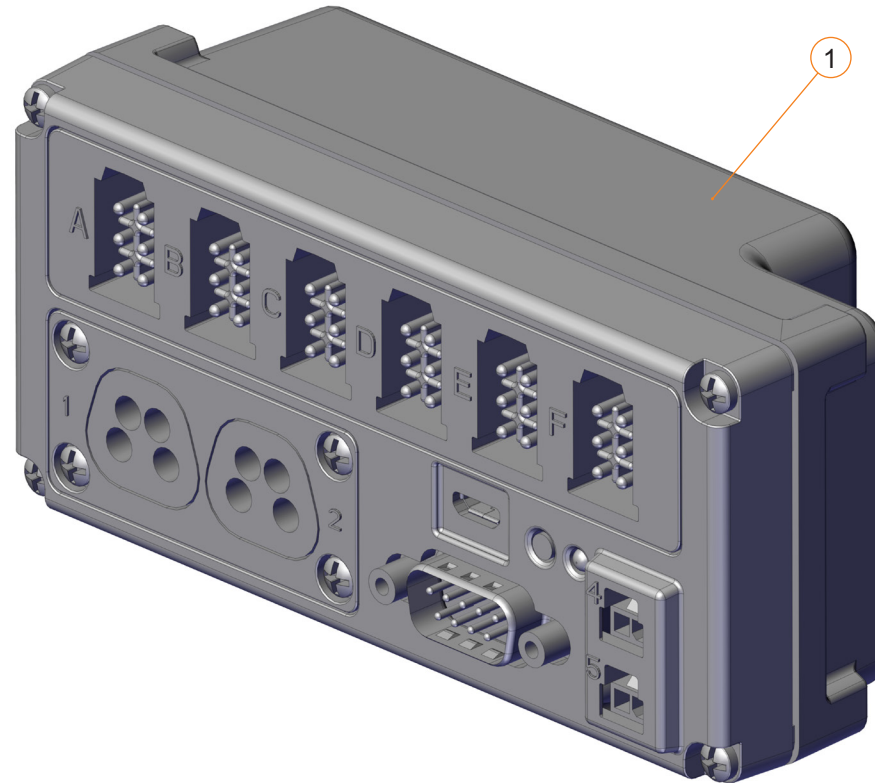


INTELLIGENT SEATING MODULE (ISM)

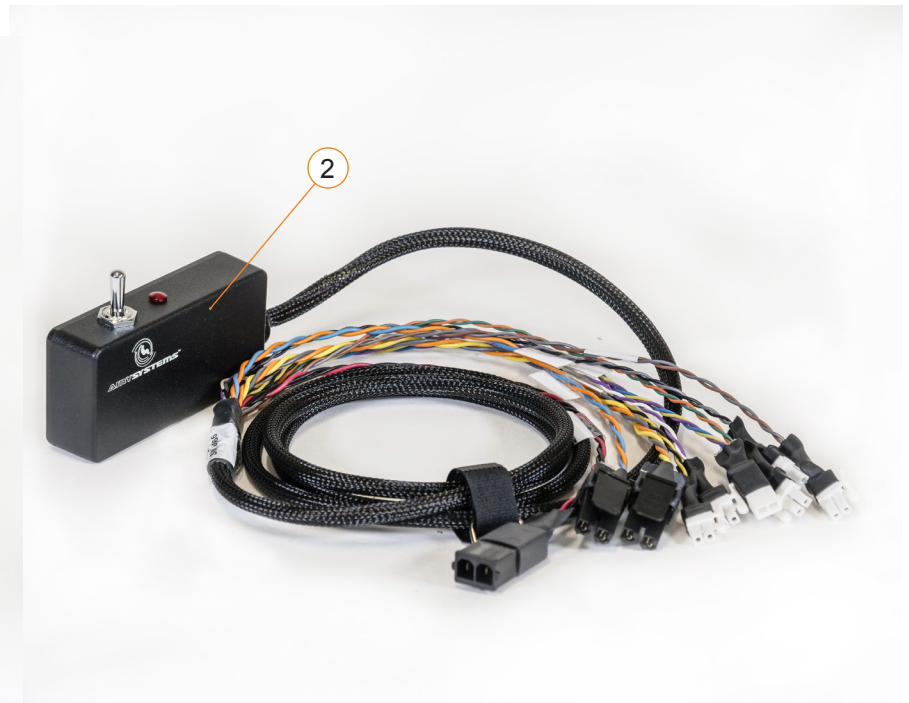
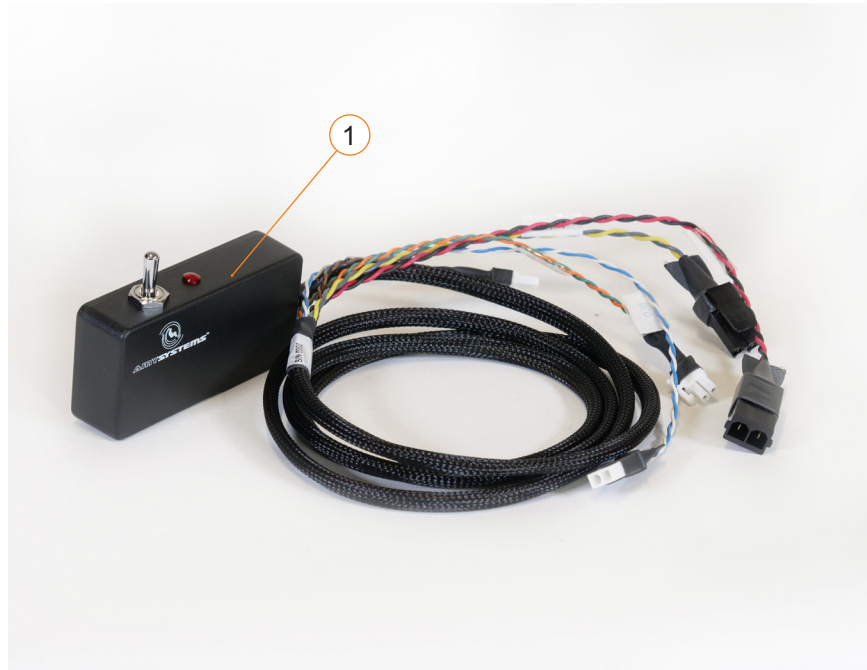
ITEM #	PART #	DESCRIPTION	EFFECTIVE
1A	D50917	RNET SINGLE ACTUATOR CONTROLLER - 1 ACT	2019-11-25
1B	D50919	RNET MULTIPLE ACTUATOR CONTROLLER - 2/6 ACT	2019-11-25



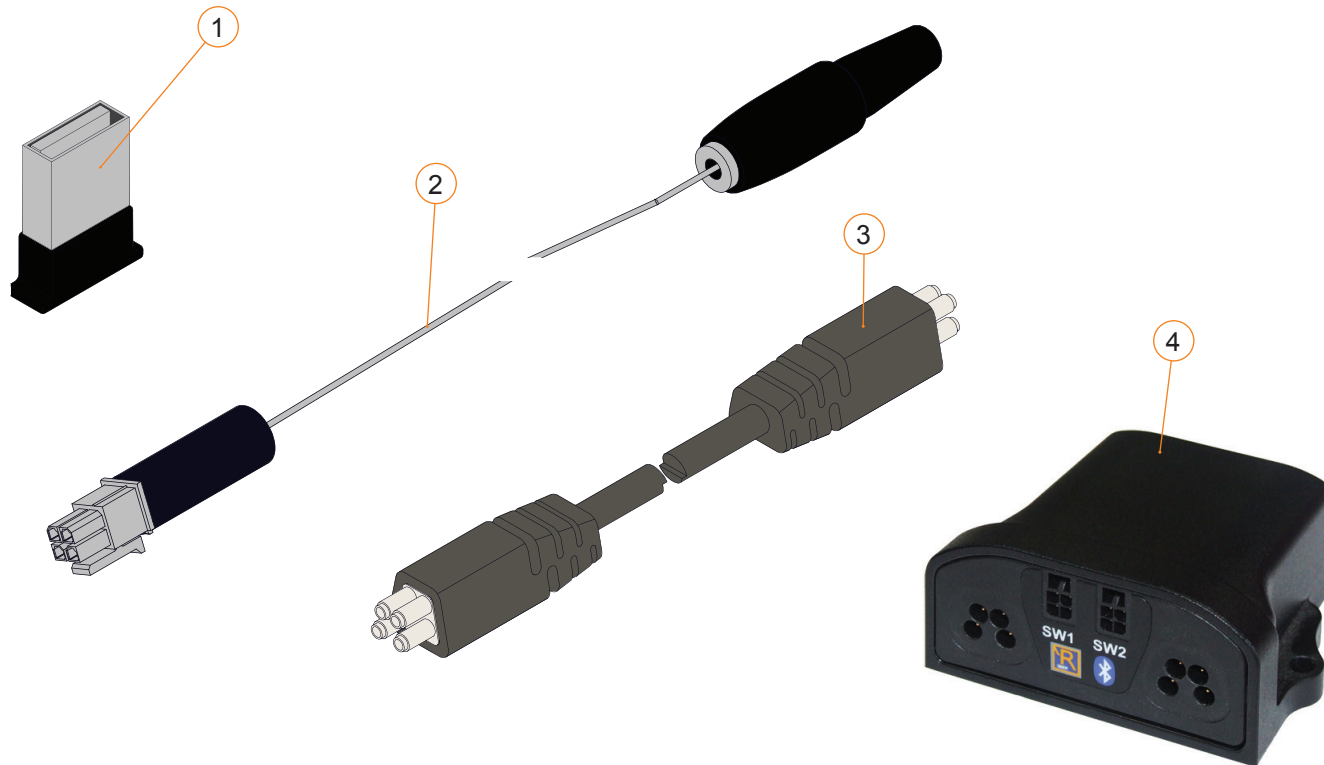
E-BX MULTIPLE ACTUATOR CONTROLLER			
ITEM #	PART #	DESCRIPTION	EFFECTIVE
1	1000004	E-BX MULTIPLE ACTUATOR CONTROLLER RNET	2020-02-03

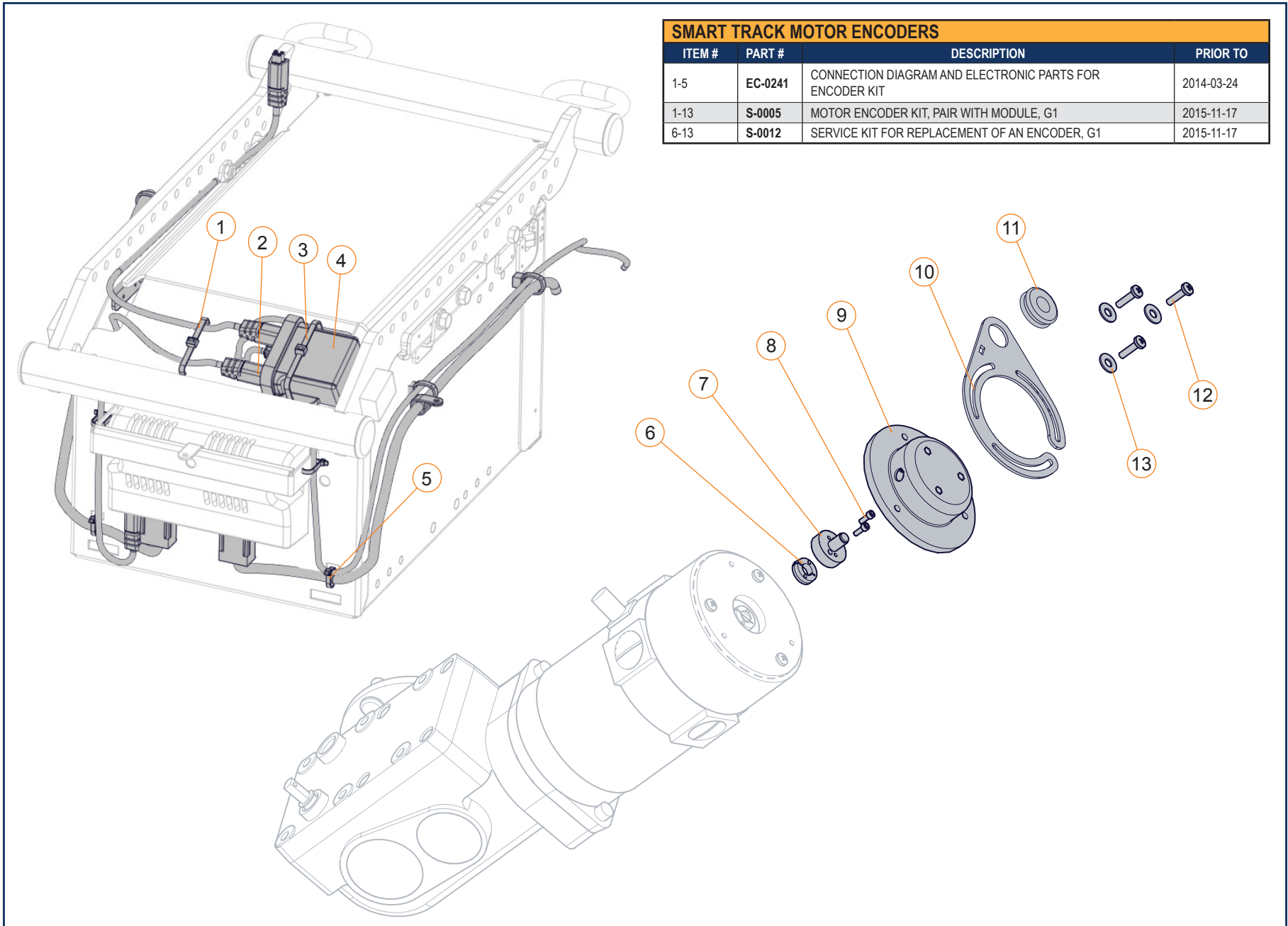


SOLO / DUO			
ITEM #	PART #	DESCRIPTION	EFFECTIVE
1A	D00182	SOLO - SINGLE ACTUATOR CONTROLLER	2020-02-03
1B	D00328	CONTROLLER, SOLO AND REDUCE SPEED, NO JACK	2017-03-28
2A	D00201	DUO - DUAL ACTUATOR CONTROLLER	2020-02-03
2B	D00329	CONTROLLER, DUO AND REDUCE SPEED, NO JACK	2017-03-28

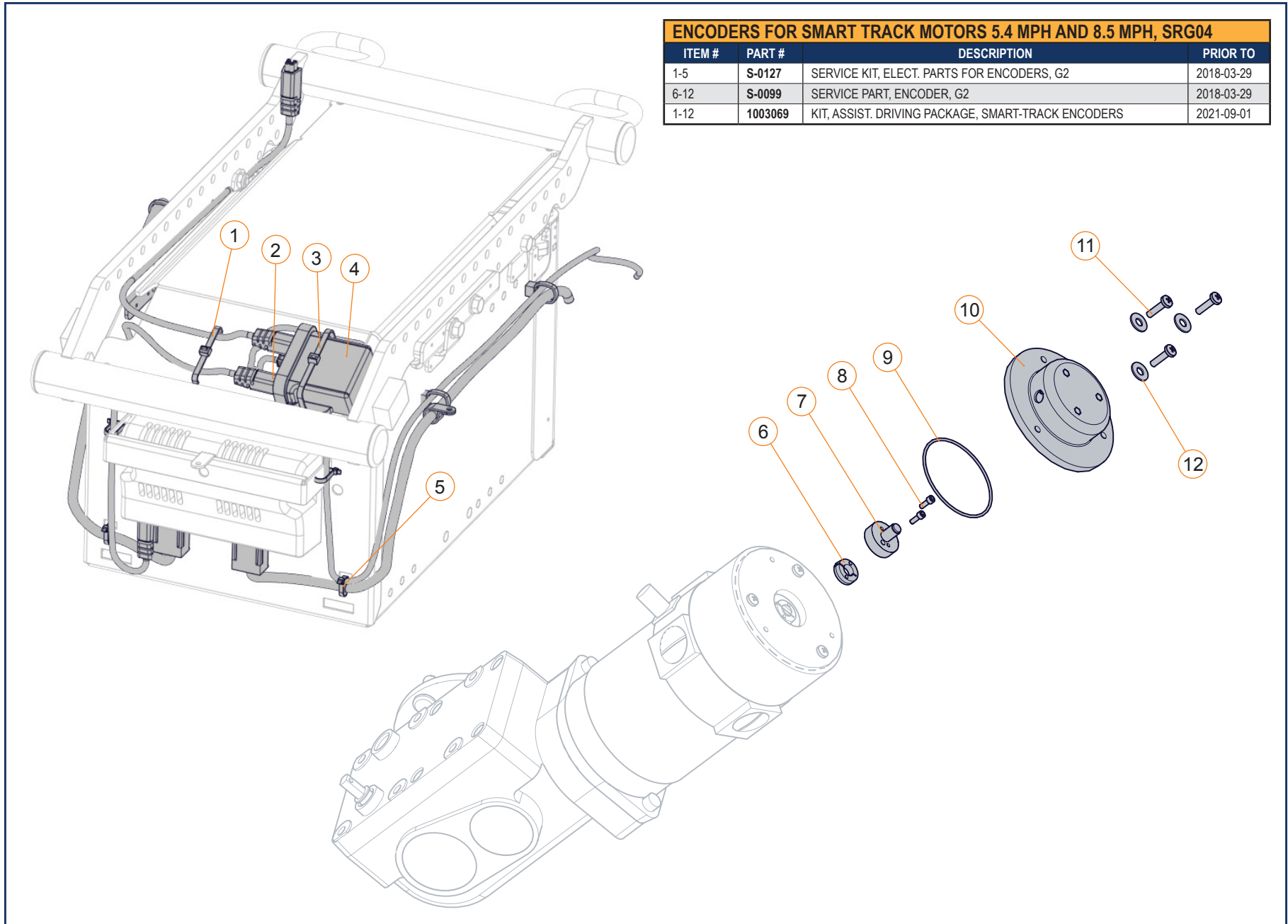


R-NET BLUETOOTH MODULE			
ITEM #	PART #	DESCRIPTION	EFFECTIVE
1	D00254	BLUETOOTH USB DONGLE	2009-03-30
2	D00302	CABLE FOR EXTERNAL SWITCH ON BLUETOOTH MODULE	2013-02-07
3	D00168	R-NET 0.5M BUS CABLE, MALE-MALE	2008-04-30
4A	D51111	MOUSE EMULATOR MODULE FOR WINDOWS/MAC OS	2008-10-28
4B	D51523	MOUSE EMULATOR MODULE FOR ANDROID	2014-11-05
4C	D51580	BLUETOOTH MODULE IPAD IPHONE, R-NET	2014-11-05
1-3, 4A	EC-0085	BLUETOOTH MOUSE EMULATOR KIT FOR WINDOWS/MAC OS	2008-10-28
2, 3, 4B	EC-0265	BLUETOOTH MOUSE EMULATOR KIT FOR ANDROID	2014-11-05
2, 3, 4C	EC-0266	BLUETOOTH MODULE FOR IPAD AND IPHONE	2014-11-05

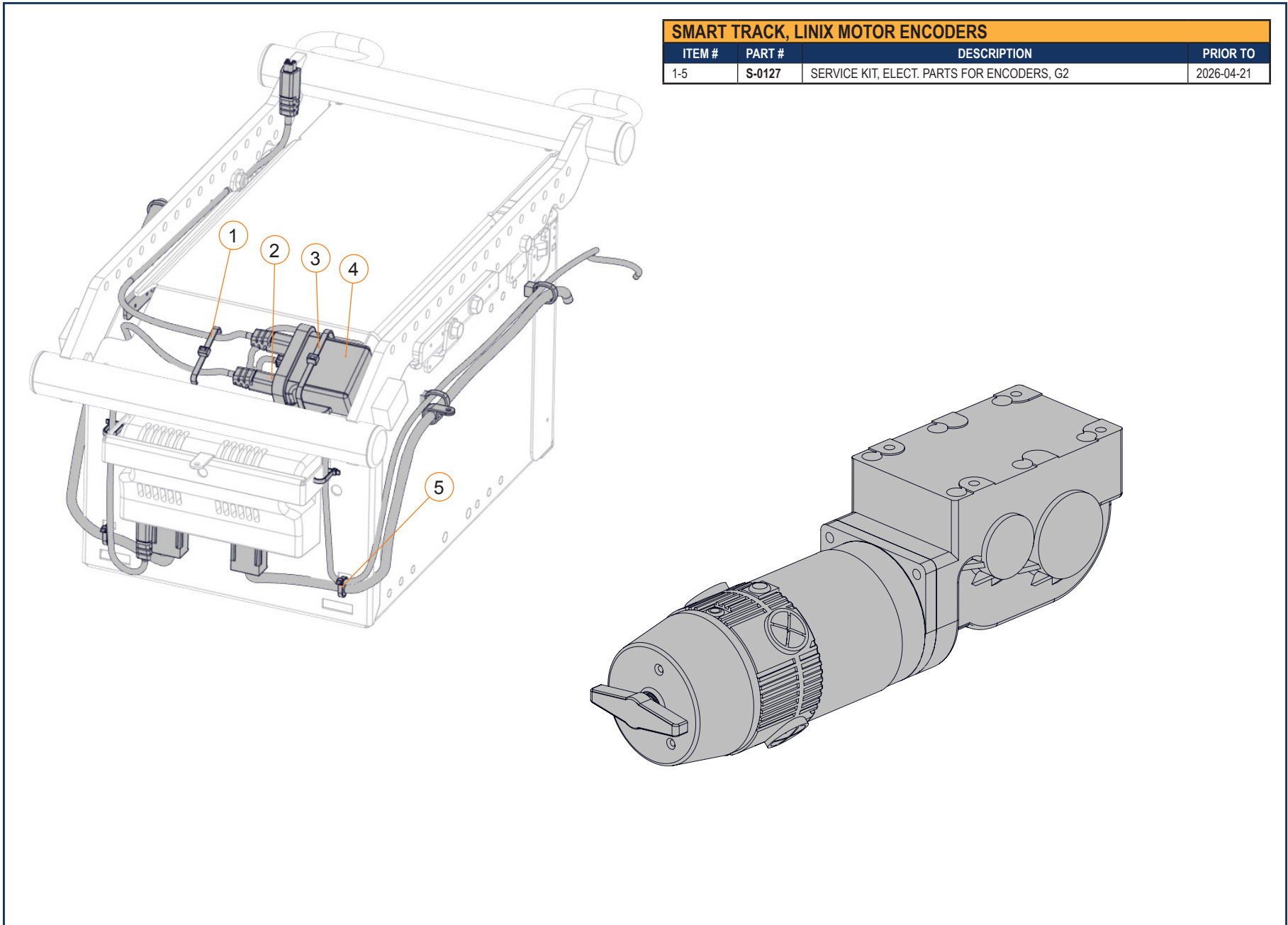




SMART TRACK MOTOR ENCODERS			
ITEM #	PART #	DESCRIPTION	PRIOR TO
1-5	EC-0241	CONNECTION DIAGRAM AND ELECTRONIC PARTS FOR ENCODER KIT	2014-03-24
1-13	S-0005	MOTOR ENCODER KIT, PAIR WITH MODULE, G1	2015-11-17
6-13	S-0012	SERVICE KIT FOR REPLACEMENT OF AN ENCODER, G1	2015-11-17

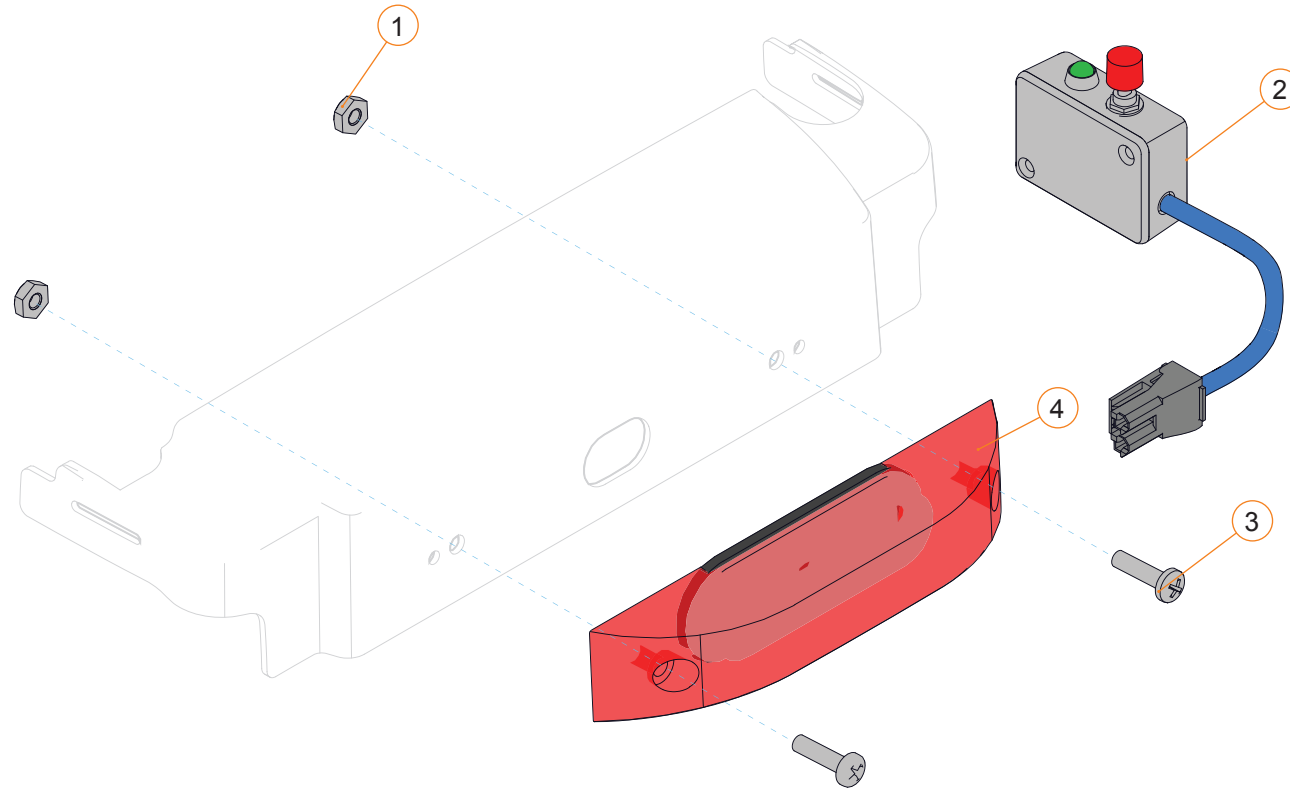


ENCODERS FOR SMART TRACK MOTORS 5.4 MPH AND 8.5 MPH, SRG04			
ITEM #	PART #	DESCRIPTION	PRIOR TO
1-5	S-0127	SERVICE KIT, ELECT. PARTS FOR ENCODERS, G2	2018-03-29
6-12	S-0099	SERVICE PART, ENCODER, G2	2018-03-29
1-12	1003069	KIT, ASSIST. DRIVING PACKAGE, SMART-TRACK ENCODERS	2021-09-01

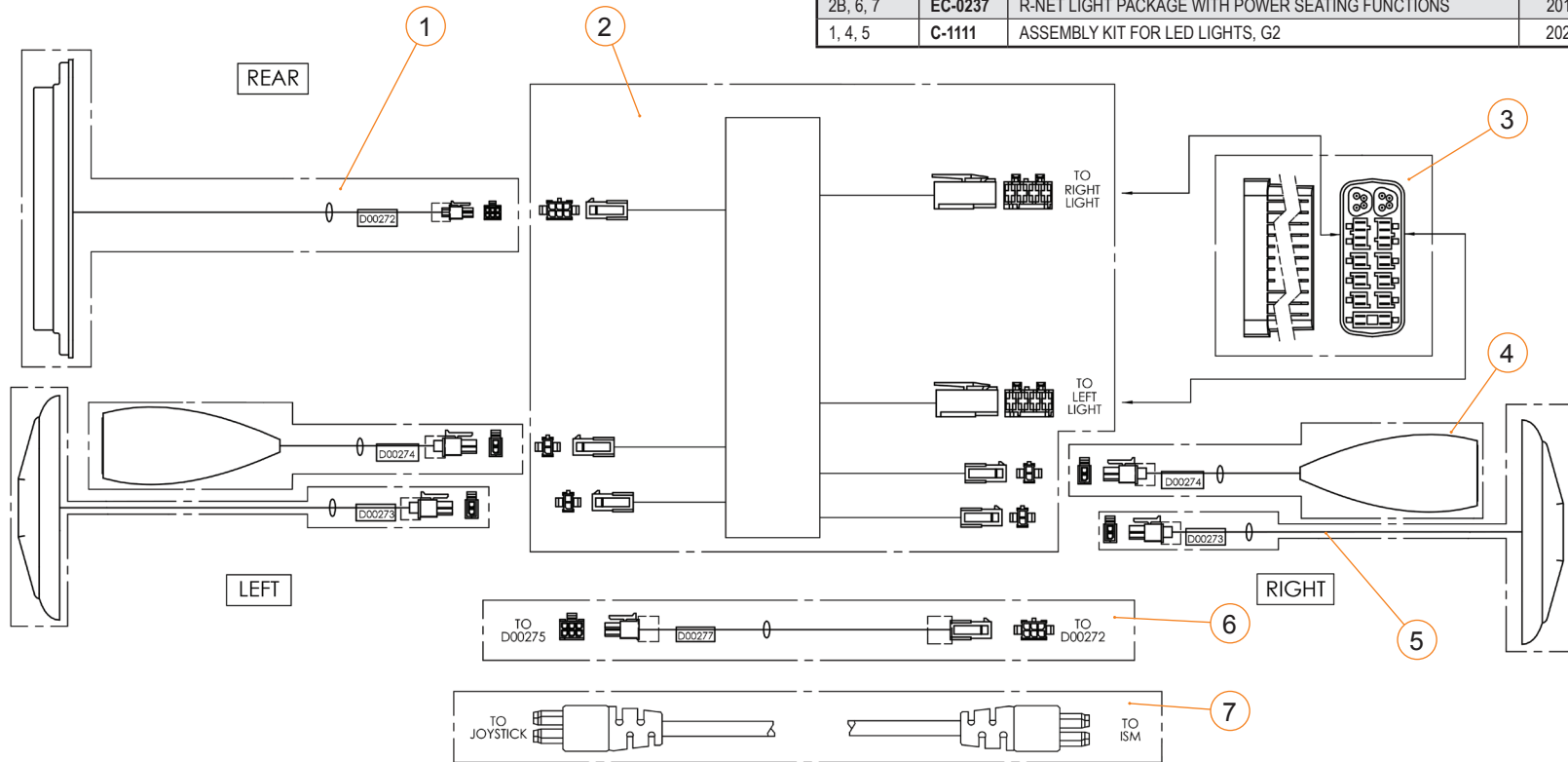


STANDARD LIGHTS - SECTION 6.3.1

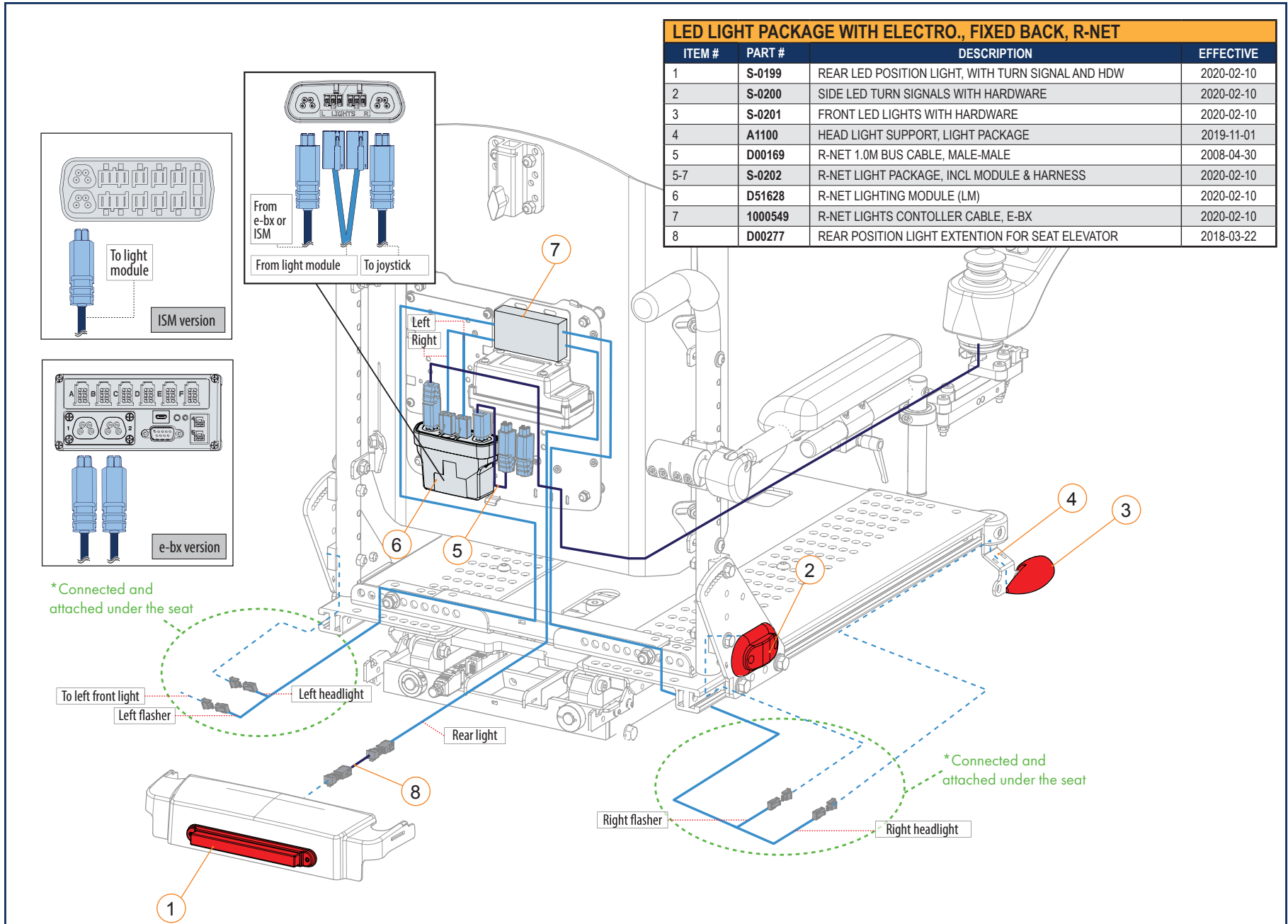
REAR POSITION LIGHT			
ITEM #	PART #	DESCRIPTION	EFFECTIVE
2	D00167	REAR POSITION LIGHT SWITCH	2008-04-30
4	D00165	REAR POSITION LIGHT	2008-04-30
1-4	C-10320	INSTALLATION KIT FOR REAR POSITION LIGHT	2015-06-22



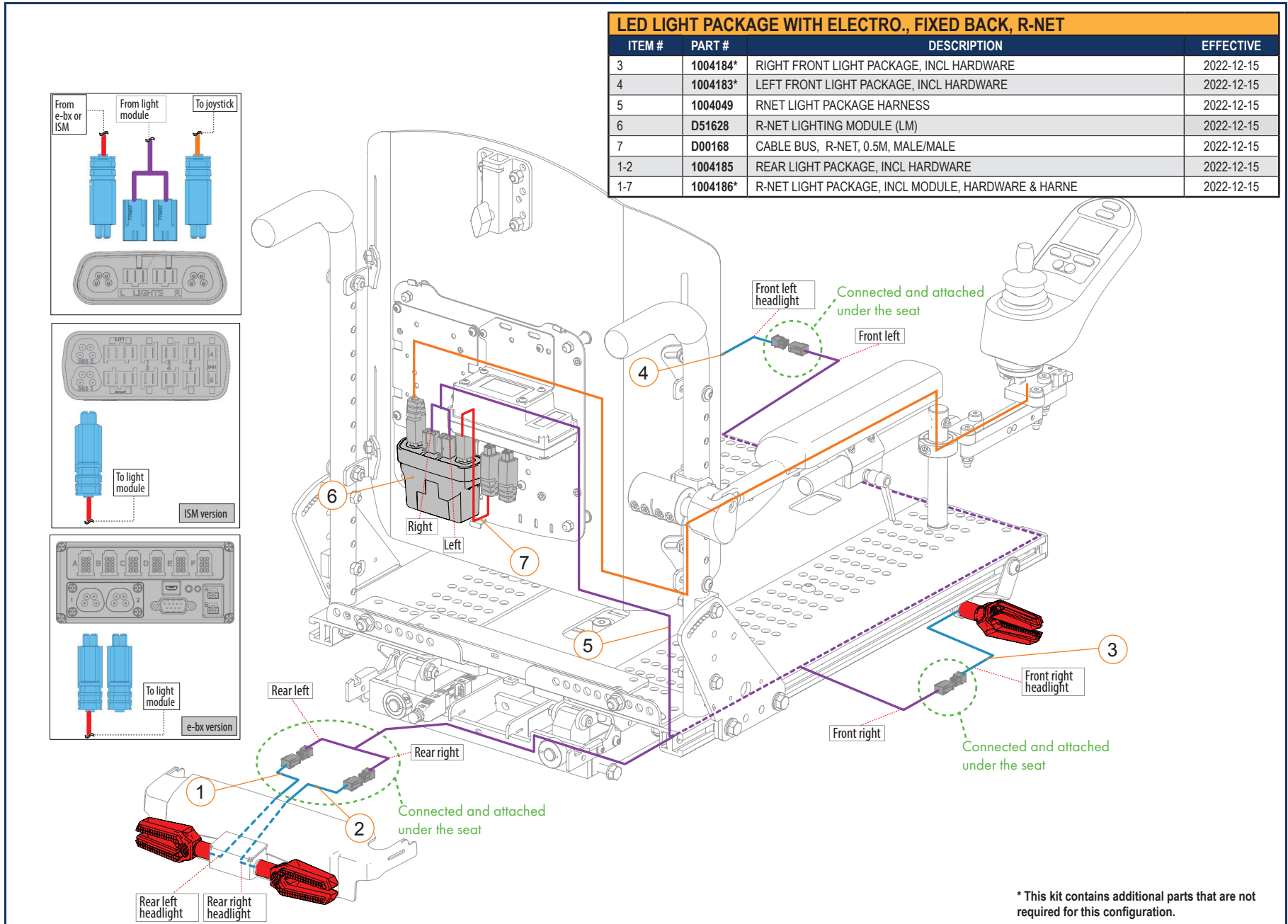
LED LIGHT PACKAGE, R-NET OR VR2			
ITEM #	PART #	DESCRIPTION	PRIOR TO
1	D00272	REAR LED POSITION LIGHT, WITH TURN SIGNAL	2019-11-25
2A	D00276	VR2 LIGHT PACKAGE HARNESS	2019-11-25
2B	D00275	R-NET LIGHT PACKAGE HARNESS	2019-11-25
3A	D50242	VR2 LIGHT CONTROLLER	2019-11-25
3B	D50605	R-NET LIGHT CONTROLLER, NO POWER OPTIONS	2019-11-25
3C	D51290	R-NET LIGHT CONTROLLER, WITH 2 POWER OPTIONS	2019-11-25
3D	D50927	R-NET LIGHT CONTROLLER, WITH 6 POWER OPTIONS	2019-11-25
4	D00274	FRONT LED LIGHTS	2019-11-25
5	D00273	SIDE LED TURN SIGNALS	2019-11-25
6	D00277	REAR POSITION LIGHT EXTENTION FOR SEAT ELEVATOR	2019-11-25
7	D00169	R-NET 1.0M BUS CABLE, MALE-MALE	2019-11-25
2A, 3A, 6	EC-0235	VR2 LIGHT PACKAGE	2019-11-25
2B, 3B, 6, 7	EC-0236	R-NET LIGHT PACKAGE	2019-11-25
2B, 6, 7	EC-0237	R-NET LIGHT PACKAGE WITH POWER SEATING FUNCTIONS	2019-11-25
1, 4, 5	C-1111	ASSEMBLY KIT FOR LED LIGHTS, G2	2020-10-05



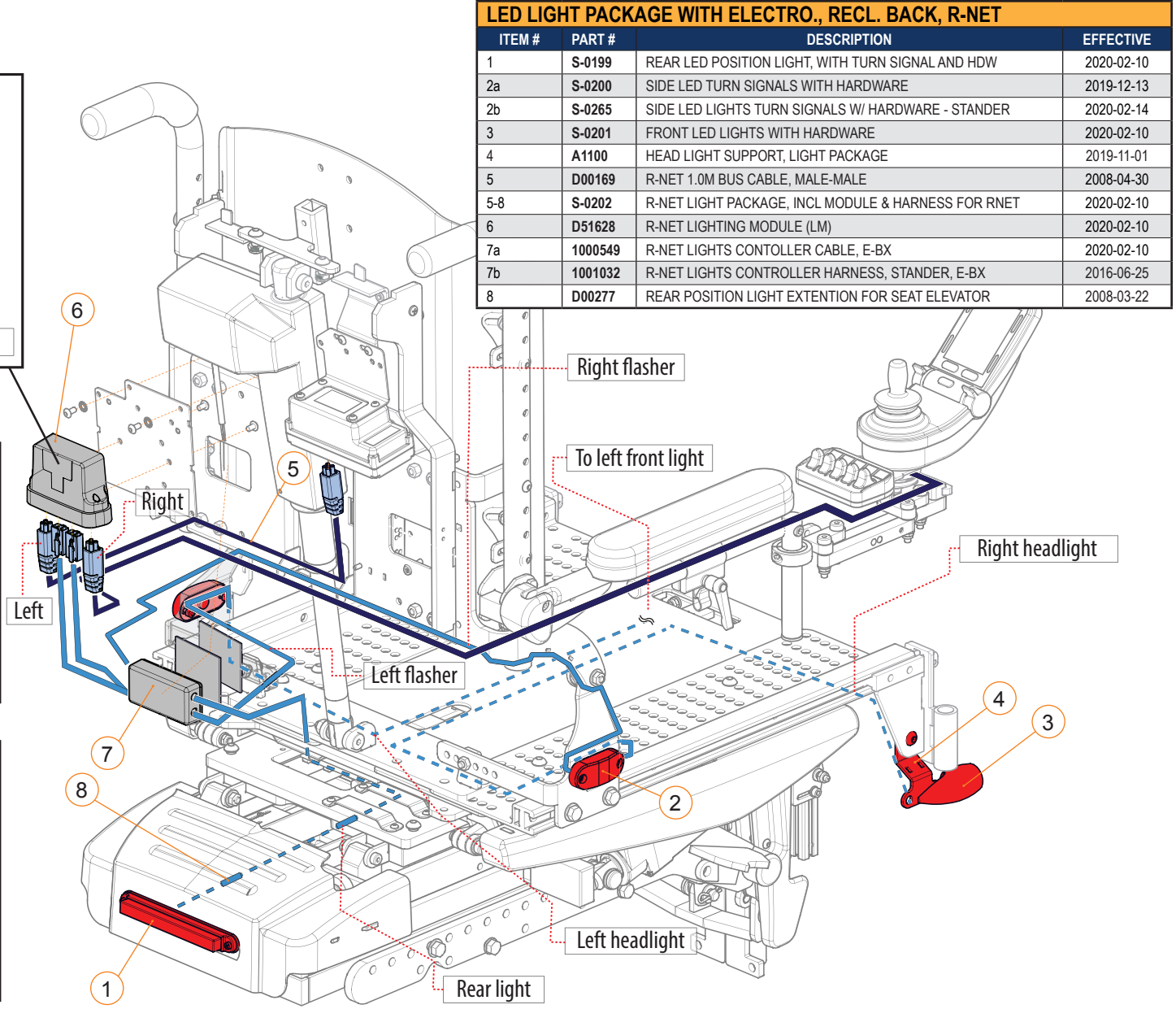
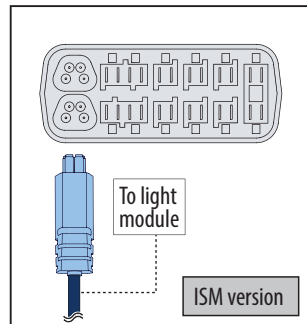
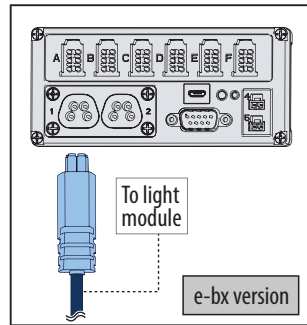
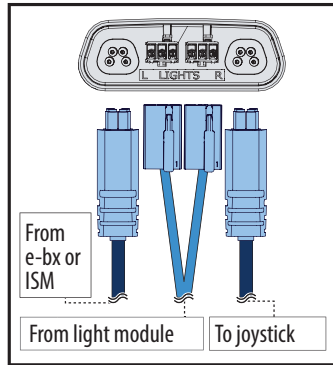
LED LIGHTS - SECTION 6.3.2



LED LIGHTS - SECTION 6.3.2

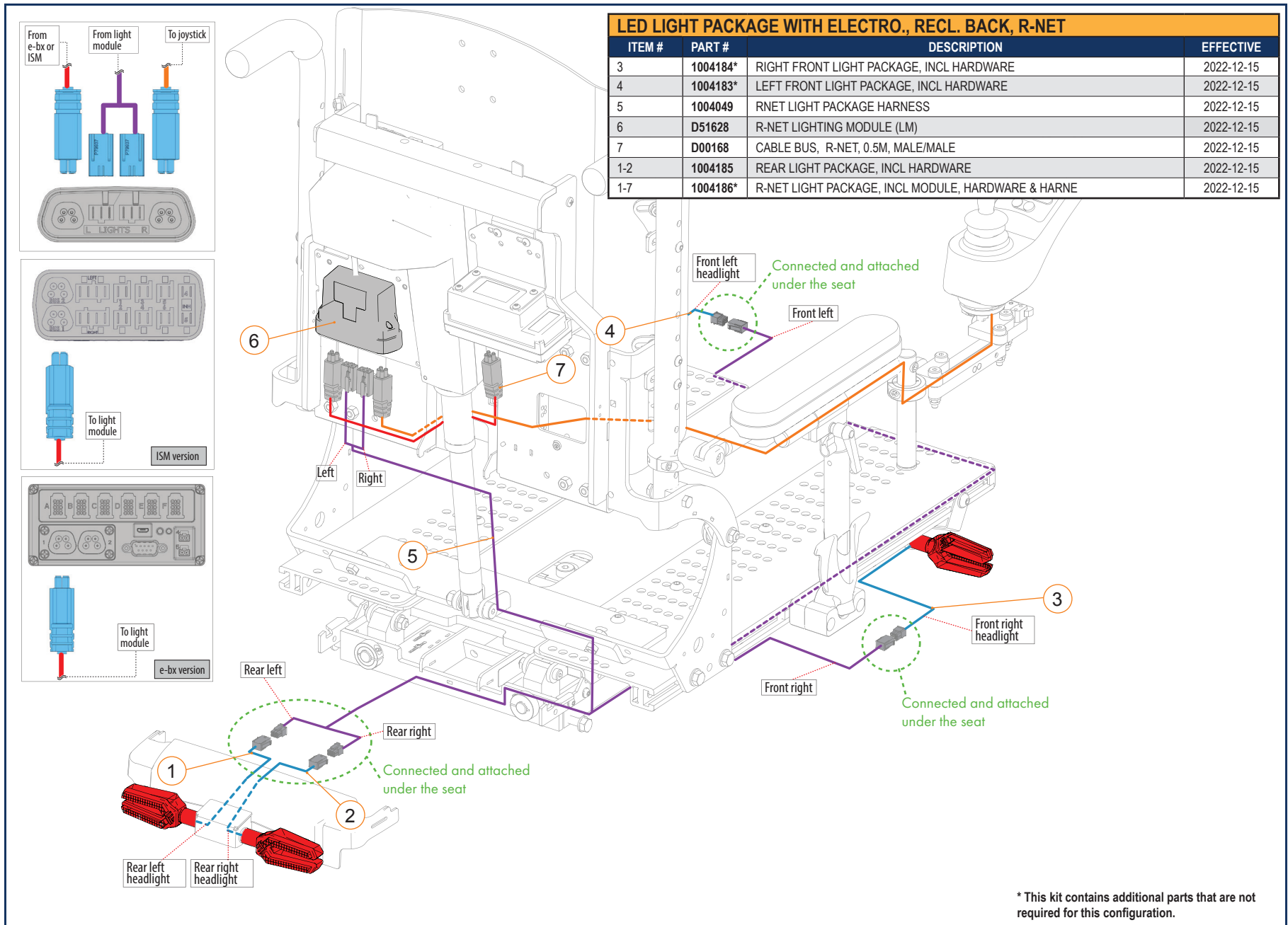


* This kit contains additional parts that are not required for this configuration.



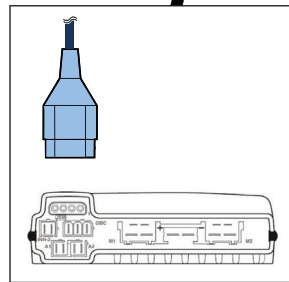
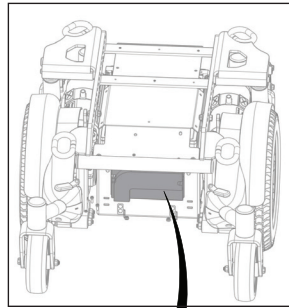
LED LIGHT PACKAGE WITH ELECTRO., RECL. BACK, R-NET			
ITEM #	PART #	DESCRIPTION	EFFECTIVE
1	S-0199	REAR LED POSITION LIGHT, WITH TURN SIGNAL AND HDW	2020-02-10
2a	S-0200	SIDE LED TURN SIGNALS WITH HARDWARE	2019-12-13
2b	S-0265	SIDE LED LIGHTS TURN SIGNALS W/ HARDWARE - STANDER	2020-02-14
3	S-0201	FRONT LED LIGHTS WITH HARDWARE	2020-02-10
4	A1100	HEAD LIGHT SUPPORT, LIGHT PACKAGE	2019-11-01
5	D00169	R-NET 1.0M BUS CABLE, MALE-MALE	2008-04-30
5-8	S-0202	R-NET LIGHT PACKAGE, INCL MODULE & HARNESS FOR RNET	2020-02-10
6	D51628	R-NET LIGHTING MODULE (LM)	2020-02-10
7a	1000549	R-NET LIGHTS CONTROLLER CABLE, E-BX	2020-02-10
7b	1001032	R-NET LIGHTS CONTROLLER HARNESS, STANDER, E-BX	2016-06-25
8	D00277	REAR POSITION LIGHT EXTENSION FOR SEAT ELEVATOR	2008-03-22

LED LIGHTS - SECTION 6.3.2



* This kit contains additional parts that are not required for this configuration.

LED LIGHT PACKAGE, VR2			
ITEM #	PART #	DESCRIPTION	EFFECTIVE
1	D50242	VR2 LIGHT CONTROLER	2008-05-01
2	D00277	REAR POSITION LIGHT EXTENSION FOR SEAT ELEVATOR	2018-03-22
3	D00276	VR2 LIGHT PACKAGE HARNESS	2018-03-22
4	S-0201	FRONT LED LIGHTS WITH HARDWARE	2019-11-25
5	A1100	HEAD LIGHT SUPPORT, LIGHT PACKAGE	2019-11-01
6	S-0200	SIDE LED TURN SIGNALS WITH HARDWARE	2019-11-25
7	S-0199	REAR LED POSITION LIGHT, WITH TURN SIGNAL AND HDW	2019-11-25



* Connected and attached under the seat

Left flasher

To left front light

Left headlight

Left

Right

* Use the cable if elevator is installed

Rear light

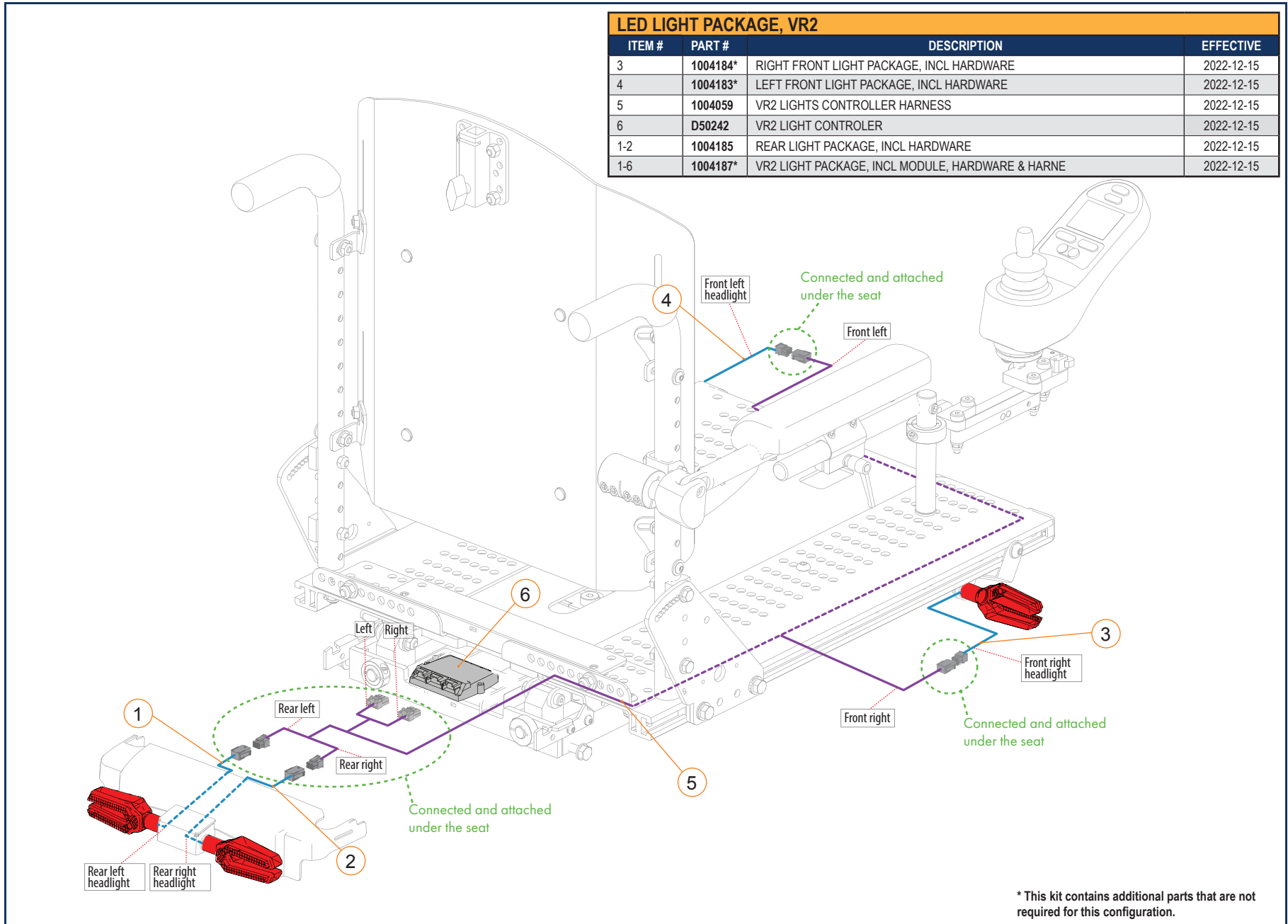
Right headlight

Right flasher

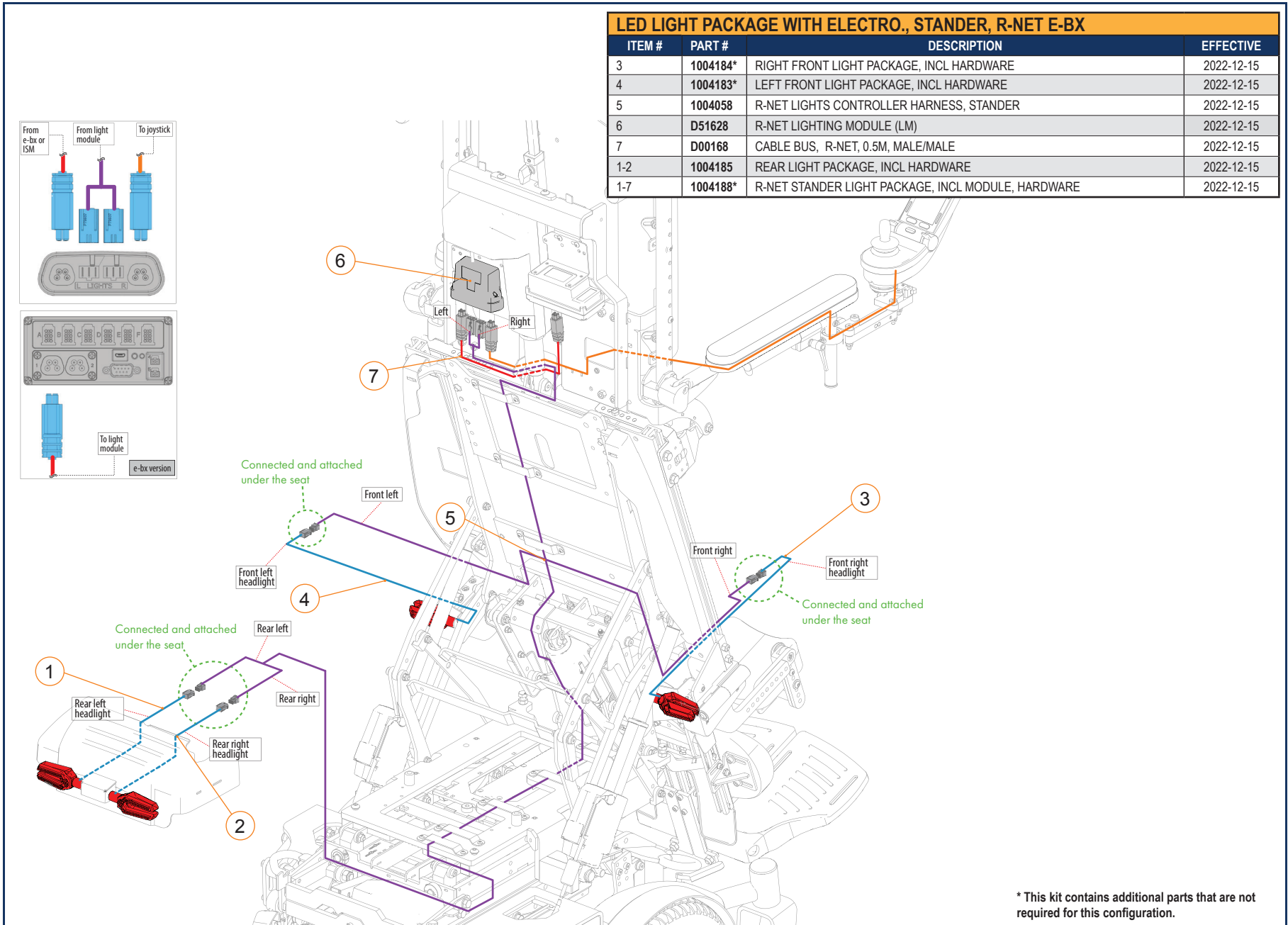
* Connected and attached under the seat

To power module

From joystick cable



* This kit contains additional parts that are not required for this configuration.



* This kit contains additional parts that are not required for this configuration.

VR2			
ITEM #	PART #	DESCRIPTION	EFFECTIVE
1	D49510	VR2 HANDHELD PP1 PROGRAMMER	2009-06-08
2-6	D50144	VR2 MOBILITY PC PROGRAMMER	2009-06-08
1-6	EC-0273	VR2 PROGRAMMING KIT	2009-06-08



R-NET - PROGRAMMER & PCP KIT			
ITEM #	PART #	DESCRIPTION	PRIOR TO
1, 2	D50612	R-NET OBP AND PC PROGRAMMER	2021-03-04



R-NET - PROGRAMMER & PCP KIT			
ITEM #	PART #	DESCRIPTION	EFFECTIVE
1, 2	D51846	R-NET OBP AND PC PROGRAMMER	2021-03-04

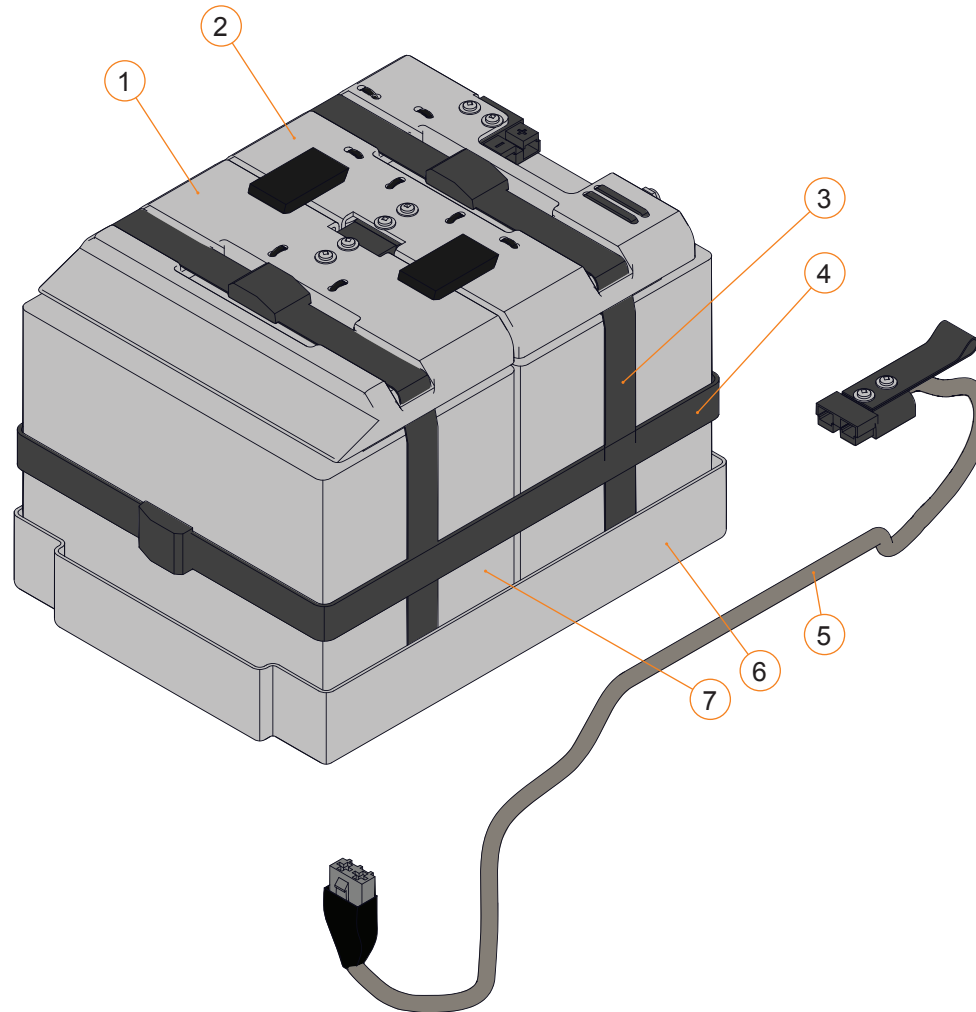


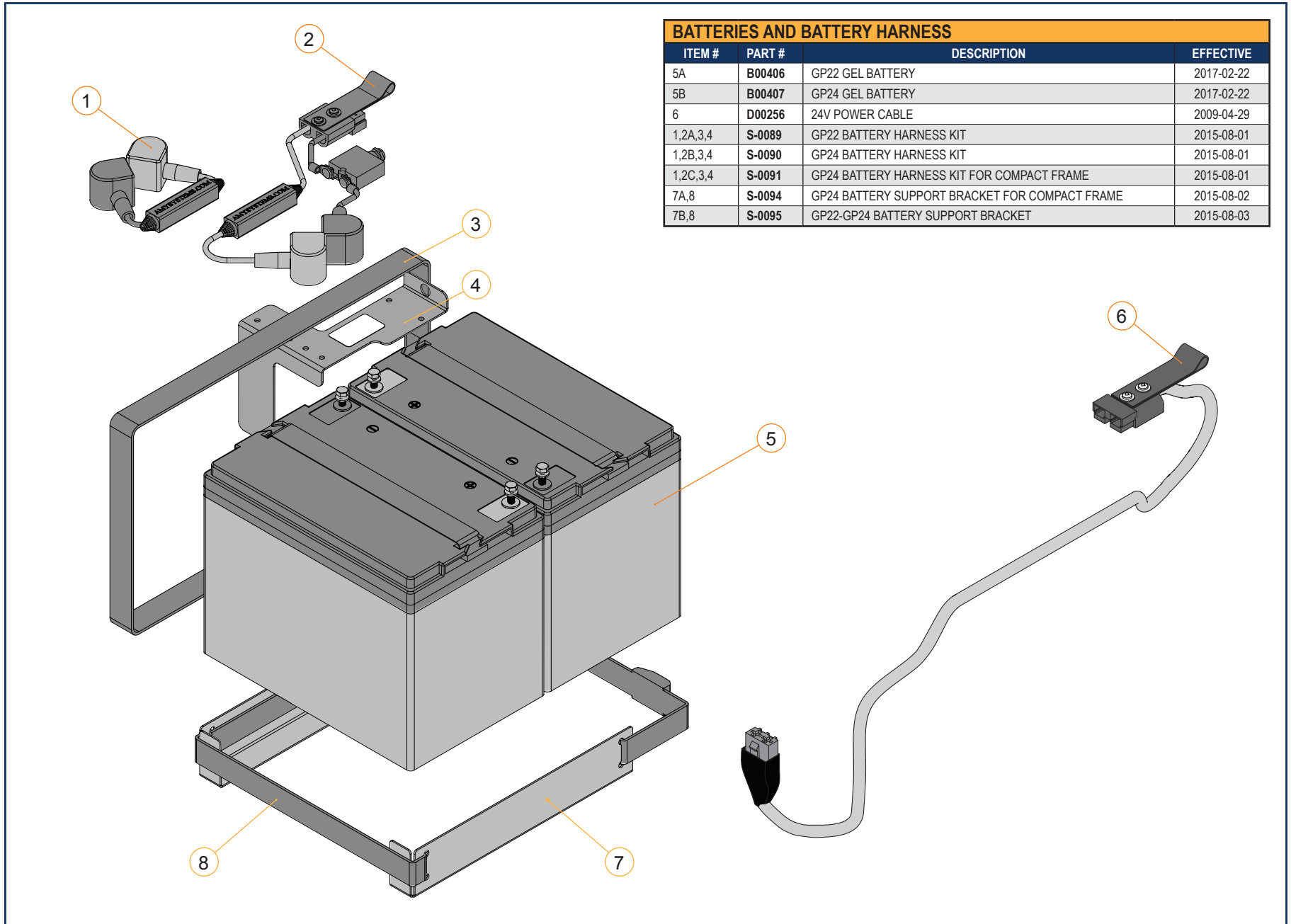
R-NET WIFI PROGRAMMER			
ITEM #	PART #	DESCRIPTION	EFFECTIVE
1-2	1004835	R-NET WIFI PROGRAMMER	2023-03-01
2	D00231	R-NET 1.0M BUS CABLE, MALE-FEMALE	2008-04-30



BATTERY HARNESS - SECTION 6.5.1

BATTERY HARNESS COVER KIT			
ITEM #	PART #	DESCRIPTION	PRIOR TO
5	D00256	24V POWER CABLE	2009-04-29
7A	B00125	MK GP22 GEL BATTERY	2017-02-22
7B	B00124	MK GP24 GEL BATTERY	2017-02-22
1A, 2A, 3, 4, 6	C-1037	GP22 BATTERY HARNESS AND COVER KIT	
1B, 2B, 3, 4, 6	C-1036	GP24 BATTERY HARNESS AND COVER KIT	
1C, 2C, 3, 4, 6	C-10206	GP24 BATTERY HARNESS AND COVER KIT FOR COMPACT FRAME	

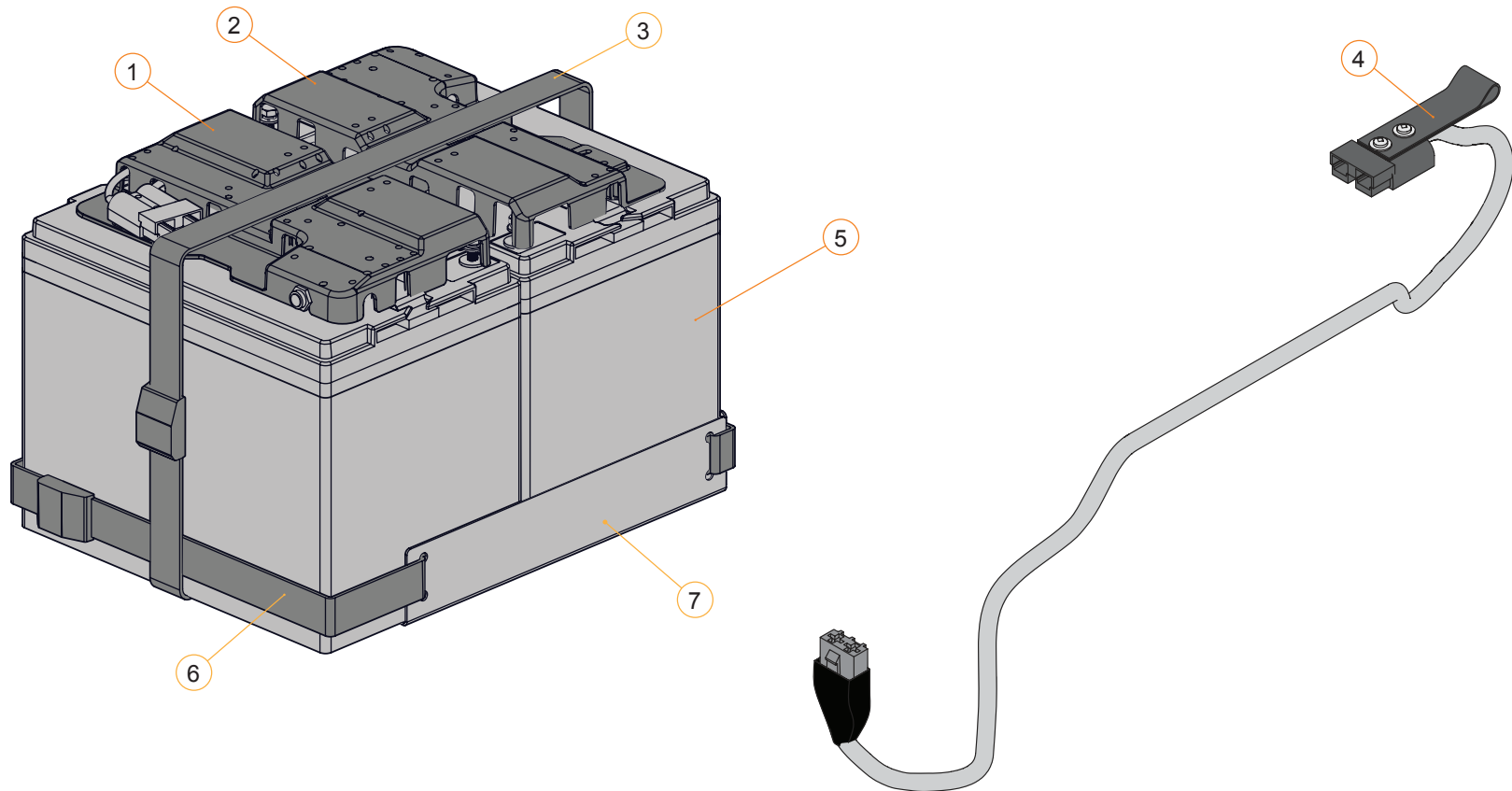




BATTERIES AND BATTERY HARNESS			
ITEM #	PART #	DESCRIPTION	EFFECTIVE
5A	B00406	GP22 GEL BATTERY	2017-02-22
5B	B00407	GP24 GEL BATTERY	2017-02-22
6	D00256	24V POWER CABLE	2009-04-29
1,2A,3,4	S-0089	GP22 BATTERY HARNESS KIT	2015-08-01
1,2B,3,4	S-0090	GP24 BATTERY HARNESS KIT	2015-08-01
1,2C,3,4	S-0091	GP24 BATTERY HARNESS KIT FOR COMPACT FRAME	2015-08-01
7A,8	S-0094	GP24 BATTERY SUPPORT BRACKET FOR COMPACT FRAME	2015-08-02
7B,8	S-0095	GP22-GP24 BATTERY SUPPORT BRACKET	2015-08-03

BATTERY HARNESS - SECTION 6.5.1

BATTERIES AND BATTERY HARNESS			
ITEM #	PART #	DESCRIPTION	EFFECTIVE
4	D00256	24V POWER CABLE	2009-04-29
5A	B00406	GP22 GEL BATTERY	2017-02-22
5B	B00407	GP24 GEL BATTERY	2017-02-22
1A,2A,3	S-0089	GP22 BATTERY HARNESS KIT	2015-08-01
1B,2B,3	S-0090	GP24 BATTERY HARNESS KIT	2015-08-01
1C,2C,3	S-0091	GP24 BATTERY HARNESS KIT FOR COMPACT FRAME	2015-08-01
1D,2D,3	1003871	KIT, GP22 BATTERY HARNESS/COVER, NARROW N2221 BASE	2021-12-15
6,7A	S-0094	KIT, GP24 BATT. SUPPORT BRACKET, NARROW N2424 BASE	2015-08-02
6,7B	S-0095	GP22-GP24 BATTERY SUPPORT BRACKET	2015-08-03
6,7C	1003872	KIT, GP22 BATT. SUPPORT BRACKET, NARROW N2221 BASE	2021-12-15



BATTERY CHARGER			
ITEM #	PART #	DESCRIPTION	EFFECTIVE
1A	D00299	BATTERY CHARGER, CLIPLIGHT 24V / 8 AMP	2012-06-08
1B	1004805	8A/24V, OFFBOARD BATTERY CHARGER, AUS/N-Z	2024-07-19



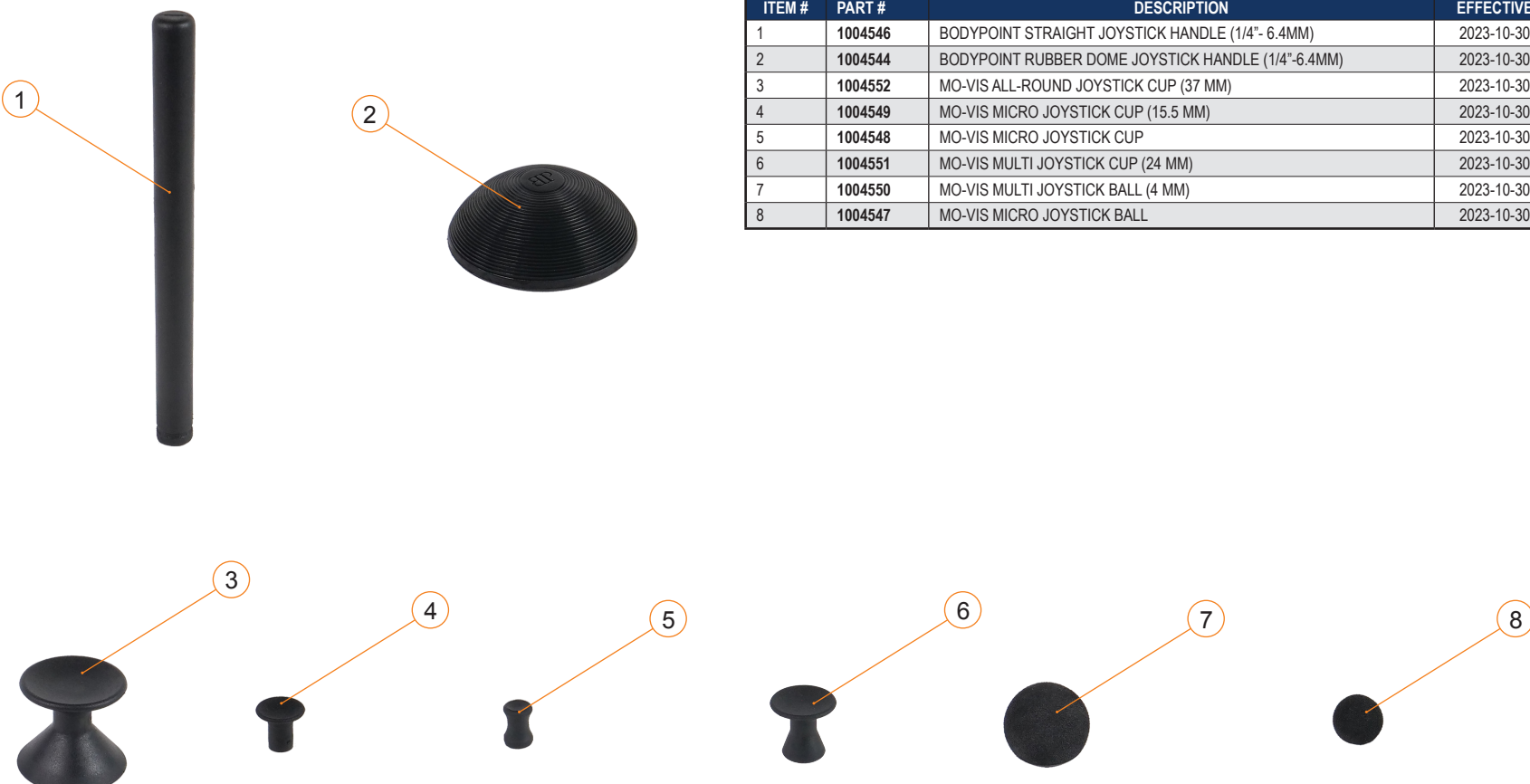
JOYSTICK KNOBS - SECTION 6.6.1



JOYSTICK KNOBS			
ITEM #	PART #	DESCRIPTION	EFFECTIVE
1	1000083	BODYPOINT 100 MM U-SHAPED JOYSTICK KNOB	2010-02-25
2	B00415	BODYPOINT 42 MM LARGE MUSHROOM JOYSTICK KNOB	2022-06-13
3	B00333	STANDARD JOYSTICK KNOB	2010-02-25
4	1004095	KIT, BALL HANDLE FOR JOYSTICK, LARGE	2022-06-13
5	1004868	T-HANDLE JOYSTICK KNOB (E2323)	2010-02-25
6	1004869	80MM STICK JOYSTICK KNOB (E2323)	2010-02-25
7	1004845	SOFT FOAM BALL JOYSTICK KNOB (E2323)	2010-02-25



JOYSTICK KNOBS - SECTION 6.6.1



CUSTOM JOYSTICK KNOBS			
ITEM #	PART #	DESCRIPTION	EFFECTIVE
1	1004546	BODYPOINT STRAIGHT JOYSTICK HANDLE (1/4"- 6.4MM)	2023-10-30
2	1004544	BODYPOINT RUBBER DOME JOYSTICK HANDLE (1/4"-6.4MM)	2023-10-30
3	1004552	MO-VIS ALL-ROUND JOYSTICK CUP (37 MM)	2023-10-30
4	1004549	MO-VIS MICRO JOYSTICK CUP (15.5 MM)	2023-10-30
5	1004548	MO-VIS MICRO JOYSTICK CUP	2023-10-30
6	1004551	MO-VIS MULTI JOYSTICK CUP (24 MM)	2023-10-30
7	1004550	MO-VIS MULTI JOYSTICK BALL (4 MM)	2023-10-30
8	1004547	MO-VIS MICRO JOYSTICK BALL	2023-10-30