

**3.1 - ALLTRACK SERIES**

**3.1.1 - ALLTRACK P M SERIES**

- G1 MID WHEEL POWER BASE, WITH COG RELEASE MOTOR SRG04 ..... 3.1.1.1
- G2 MID WHEEL POWER BASE, WITH COG RELEASE MOTOR SRG04 ..... 3.1.1.2
- G2 MID WHEEL POWER BASE, BRAKE RELEASE MOTOR SRG06 ..... 3.1.1.3
- G2 MID WHEEL POWER BASE, BRAKE RELEASE MOTOR SRG01 ..... 3.1.1.4
- G2 MID WHEEL POWER BASE, BRAKE RELEASE MOTOR LINIX - **New** ..... 3.1.1.5

**3.1.2 - ALLTRACK P R SERIES**

- G1 HYBRID WHEEL POWER BASE, WITH COG RELEASE MOTOR SRG04 ..... 3.1.2.1
- G2 HYBRID WHEEL POWER BASE, WITH COG RELEASE MOTOR SRG04 ..... 3.1.2.2
- G2 HYBRID WHEEL POWER BASE, BRAKE RELEASE MOTOR SRG06 ..... 3.1.2.3
- G2 HYBRID WHEEL POWER BASE, BRAKE RELEASE MOTOR SRG01 ..... 3.1.2.4
- G2 HYBRID WHEEL POWER BASE, BRAKE RELEASE MOTOR LINIX - **New** ..... 3.1.2.5

**3.1.3 - ALLTRACK M SERIES**

- G1 MID WHEEL POWER BASE, WITH COG RELEASE MOTOR SRG04 ..... 3.1.3.1
- G2 MID WHEEL POWER BASE, WITH COG RELEASE MOTOR SRG04 ..... 3.1.3.2
- G2 MID WHEEL POWER BASE, BRAKE RELEASE MOTOR SRG06 ..... 3.1.3.3
- G2 MID WHEEL POWER BASE, BRAKE RELEASE MOTOR SRG01 ..... 3.1.3.4
- G2 MID WHEEL POWER BASE, BRAKE RELEASE MOTOR LINIX - **New** ..... 3.1.3.5

**3.1.4 - ALLTRACK M HD SERIES**

- G1 MID WHEEL POWER BASE, WITH COG RELEASE MOTOR SRG04 ..... 3.1.4.1
- G2 MID WHEEL POWER BASE, WITH COG RELEASE MOTOR SRG04 ..... 3.1.4.2
- G2 MID WHEEL POWER BASE, WITH BRAKE RELEASE MOTOR SRG01 ..... 3.1.4.3
- G2 MID WHEEL POWER BASE, WITH BRAKE RELEASE MOTOR LINIX - **New** ..... 3.1.4.4

**3.1.5 - ALLTRACK R SERIES**

- G1 HYBRID WHEEL POWER BASE, WITH COG RELEASE MOTOR SRG04 ..... 3.1.5.1
- G2 HYBRID WHEEL POWER BASE, WITH COG RELEASE MOTOR SRG04 ..... 3.1.5.2
- G2 HYBRID WHEEL POWER BASE, BRAKE RELEASE MOTOR SRG06 ..... 3.1.5.3
- G2 HYBRID WHEEL POWER BASE, BRAKE RELEASE MOTOR SRG01 ..... 3.1.5.4
- G2 HYBRID WHEEL POWER BASE, BRAKE RELEASE MOTOR LINIX - **New** ..... 3.1.5.5

**3.1.6 - ALLTRACK R HD SERIES**

- G1 HYBRID WHEEL POWER BASE, WITH COG RELEASE MOTOR SRG04 ..... 3.1.6.1
- G2 HYBRID WHEEL POWER BASE, WITH COG RELEASE MOTOR SRG04 ..... 3.1.6.2
- G2 HYBRID WHEEL POWER BASE, WITH COG RELEASE MOTOR SRG01 ..... 3.1.6.3
- G2 HYBRID WHEEL POWER BASE, WITH COG RELEASE MOTOR LINIX - **New** ..... 3.1.6.4

**3.1.7 - ALLTRACK HD SERIES**

- G1 MID WHEEL POWER BASE, WITH COG RELEASE MOTOR SRG04 ..... 3.1.7.1
- G2 MID WHEEL POWER BASE, WITH COG RELEASE MOTOR SRG04 ..... 3.1.7.2
- G2 MID WHEEL POWER BASE, WITH BRAKE RELEASE MOTOR SRG01 ..... 3.1.7.3

**3.1.8 - ALLTRACK SERIES SHROUDS**

- G2 SHROUDS - ALL MID-WHEEL POWER BASES ..... 3.1.8.1
- G2 SHROUDS - ALL HYBRID-WHEEL POWER BASES ..... 3.1.8.2

**3.1.9 - ALLTRACK SERIES WHEELS**

- G2 WHEELS - ALL MID-WHEEL POWER BASES ..... 3.1.9.1
- G2 WHEELS - ALL HYBRID-WHEEL POWER BASES ..... 3.1.9.2

**LEGEND**

**CURRENT**

- These parts and assemblies are currently being produced and delivered.\*

**SERVICEABLE PARTS**

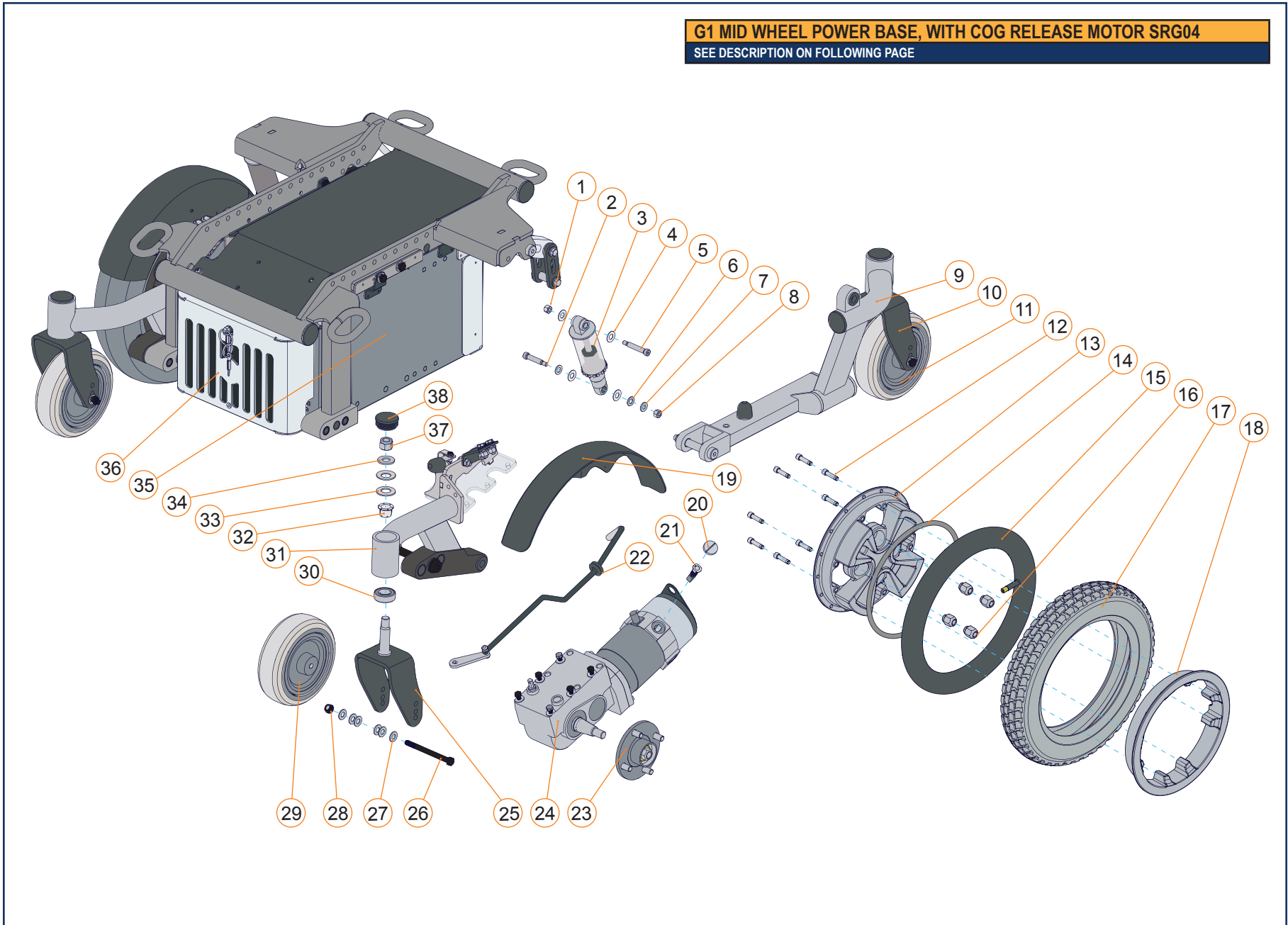
- These parts and assemblies are not currently being produced or delivered on new chairs, but they are available as replacement service parts.\*

**DISCONTINUED**

- These parts and assemblies are no longer being produced or delivered on new chairs, and they are not available as replacement service parts.\*

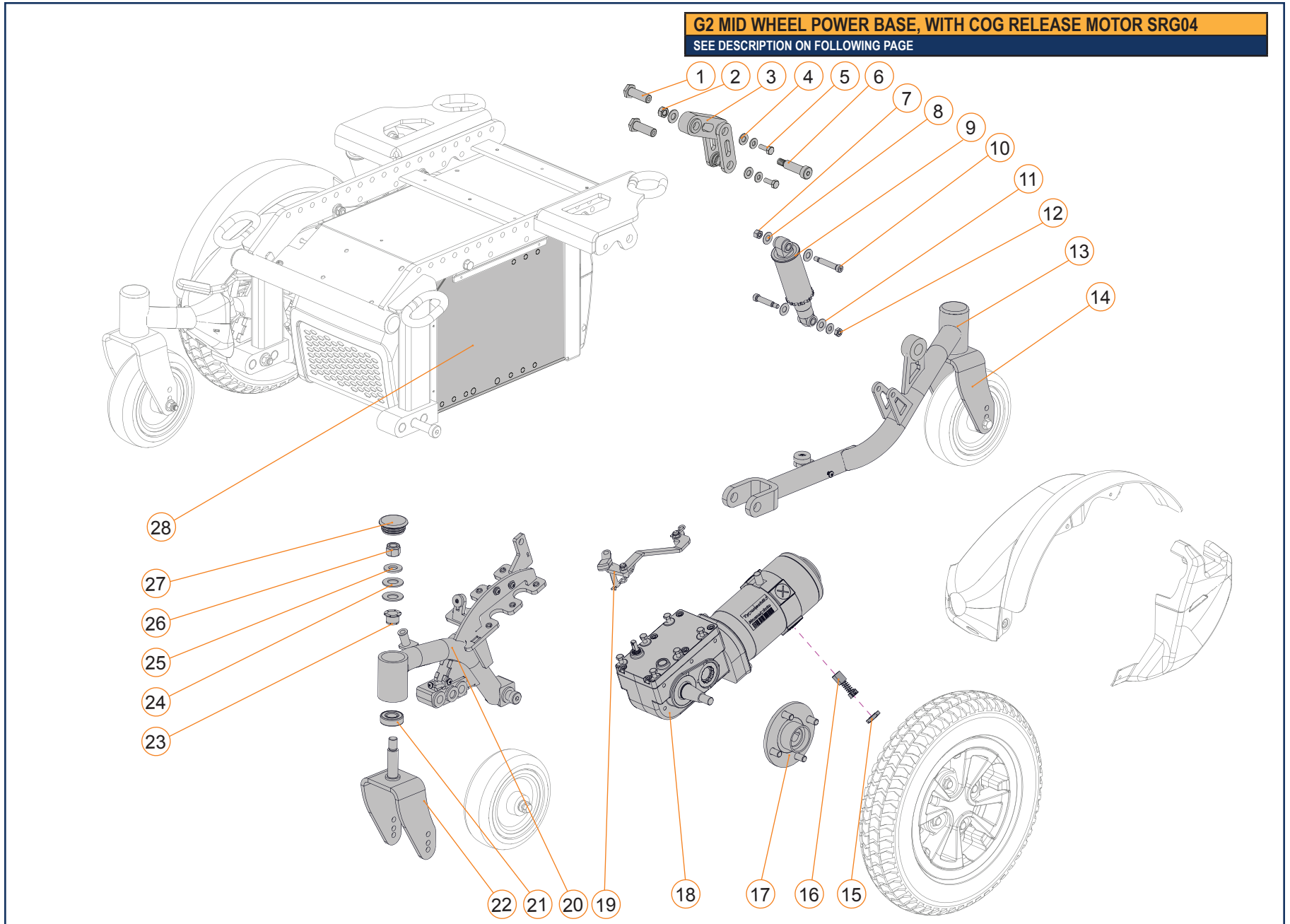
\* Please contact Technical Support for information on the replacement parts and assemblies.

**G1 MID WHEEL POWER BASE, WITH COG RELEASE MOTOR SRG04**  
 SEE DESCRIPTION ON FOLLOWING PAGE



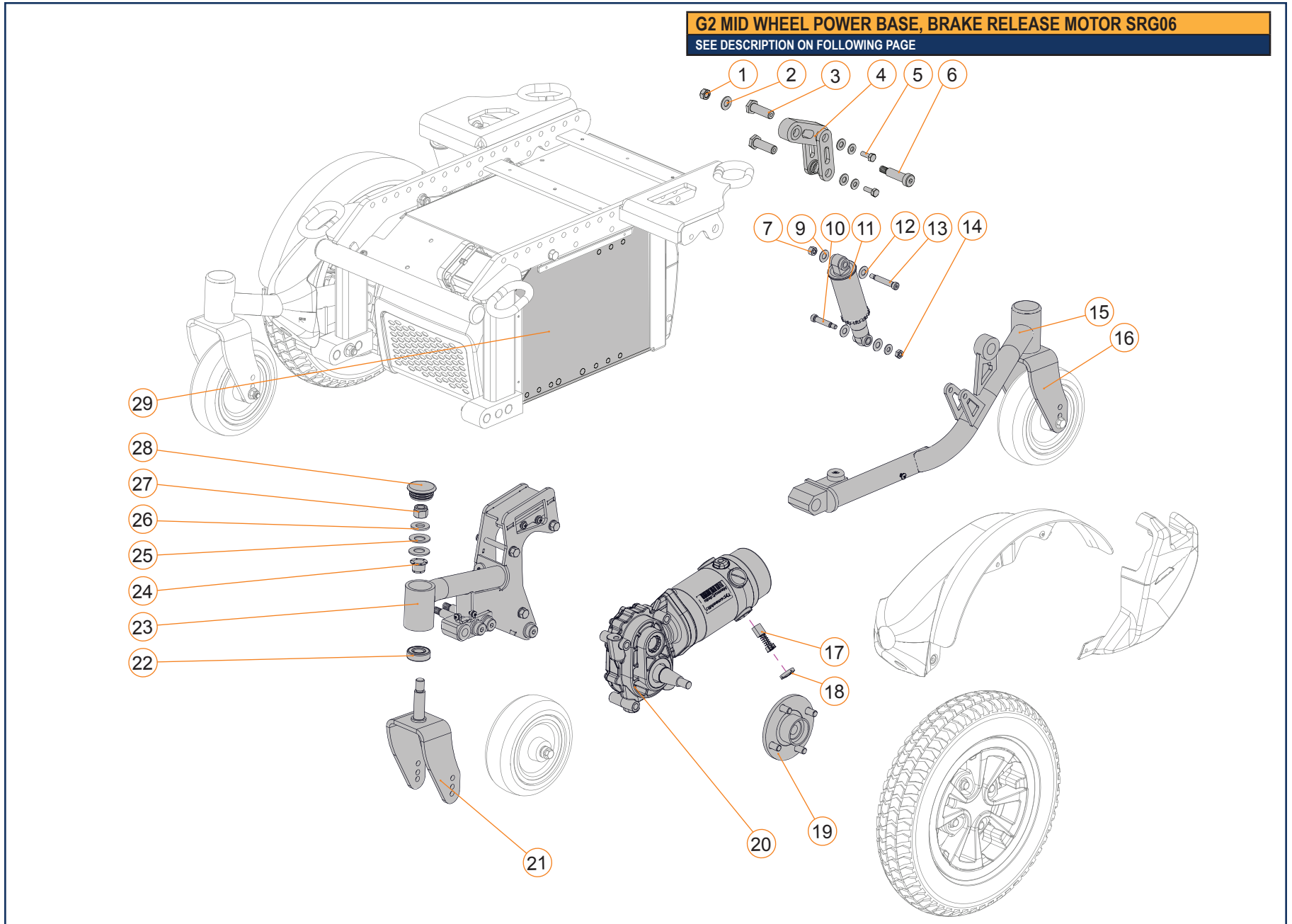
G1 MID WHEEL POWER BASE, WITH COG RELEASE MOTOR SRG04							
ITEM #	PART #	DESCRIPTION	PRIOR TO	ITEM #	PART #	DESCRIPTION	PRIOR TO
1-8	C-10223	KIT, SHOCK ASS'Y, 200 LB*IN, SOFT, MWD	2015-08-01	20, 21	S-0006	BRUSH KIT FOR 4 POLE MOTORS	2015-08-01
9A	C-10177	REAR G1 MWD SUSPENSION ARM LH	2015-08-01	20, 21, 23A, 24A	R00038	5.9/6.5 MPH STANDARD DRIVE MOTOR FOR MWD LH	2015-08-01
9B	C-10175	REAR G1 MWD SUSPENSION ARM RH	2015-08-01	20, 21, 23A, 24B	R00037	5.9/6.5 MPH STANDARD DRIVE MOTOR FOR MWD RH	2015-08-01
10	A10193	6 IN AND 8 IN CASTER FORK FOR MWD	2015-08-01	22A	C-1093	BRAKE ROD KIT FOR G1 MWD LH	2015-08-01
11	J00024	GRAY 6 IN X 2 IN SOLID CASTER WHEEL	2015-08-01	22B	C-1095	BRAKE ROD KIT FOR G1 MWD RH	2015-08-01
12A, 13A, 18A	C-10295	12 IN AND 14 IN DRIVE WHEEL RIM ASSEMBLY	2015-08-01	23A	S-0013	STANDARD DRIVE WHEEL HUB KIT	2015-08-01
12B, 13B, 18B	C-10228	14 IN X 4 IN DRIVE WHEEL RIM ASSEMBLY	2015-08-01	23B	S-0031	14 IN X 4 IN DRIVE WHEEL HUB KIT	2015-08-01
12A, 13A, 15B, 17E, 18A	C-10229	ASSEMBLY, 14 X 3 WHEEL, PNEUMATIC	2015-08-01	25	A10193	6 IN AND 8 IN CASTER FORK FOR MWD	2015-08-01
12A, 13A, 17F, 18A	C-10230	ASSEMBLY, 14 X 3 WHEEL, FOAM FILLED	2015-08-01	26, 27, 28	S-0064	6 IN AND 8 IN CASTER AXLE KIT	2015-08-01
15A	GP-384736	12 IN X 2 IN DRIVE WHEEL INNER PNEUMATIC TUBE	2015-08-01	29A	J00024	GRAY 6 IN X 2 IN SOLID CASTER WHEEL	2015-08-01
15B	GP-384739	14 IN X 3 IN DRIVE WHEEL INNER PNEUMATIC TUBE	2015-08-01	29C	GP-400700	GRAY 8 IN X 2 IN PNEUMATIC CASTER WHEEL	2015-08-01
15C	J00029	14 IN X 4 IN DRIVE WHEEL INNER PNEUMATIC TUBE	2015-08-01	29E	GP-400702	GRAY 8 IN X 2 IN FOAM FILLED CASTER WHEEL	2015-08-01
16	GP-200135	CONICAL LUG NUTS	2015-08-01	30, 32-34, 37, 38	S-0035	BUSHING KIT FOR CASTER FORKS	2015-08-01
17A	GP-384706	GRAY 12 IN X 2 IN PNEUMATIC KNOBBY DRIVE TIRE	2015-08-01	31A	C-10171	FRONT MWD SUSPENSION ARM LH	2015-08-01
17B	J00057	GRAY 12 IN X 2 IN FOAM FILLED KNOBBY DRIVE TIRE	2015-08-01	31B	C-10173	FRONT MWD SUSPENSION ARM RH	2015-08-01
17E	GP-384709	GRAY 14 IN X 3 IN PNEUMATIC KNOBBY DRIVE TIRE	2015-08-01	36A	C-1086	FRONT MODULE COVER, COMPACT GP22 BATTERIES	2015-08-01
17F	GP-5808003	GRAY 14 IN X 3 IN FOAM FILLED KNOBBY DRIVE TIRE	2015-08-01	36B	C-10198	FRONT MODULE COVER, COMPACT GP24 BATTERIES	2015-08-01
17I	J00028	GRAY 14 IN X 4 IN PNEUMATIC KNOBBY DRIVE TIRE	2015-08-01	35A, 36A	C-10121	KIT FOR G1 COMPACT GP22 BATTERY COMPARTEMENT	2015-08-01
17J	J00030	GRAY 14 IN X 4 IN FOAM FILLED KNOBBY DRIVE TIRE	2015-08-01	35B, 36B	C-10201	KIT FOR G1 COMPACT GP24 BATTERY COMPARTEMENT	2015-08-01
19	S-0097	DRIVE WHEEL FENDER INSTALLATION KIT, PAIR	2015-08-01	38	K00058	CASTER FORK HUB DUST COVER	2015-08-01
				NOT SHOWN	S-0017	SERVICE KIT FOR PIVOT POINTS, MWD	2015-08-01
				NOT SHOWN	S-0063	HARDWARE KIT FOR DRIVE MOTOR	2015-08-01

ALLTRACK P M SERIES - SECTION 3.1.1



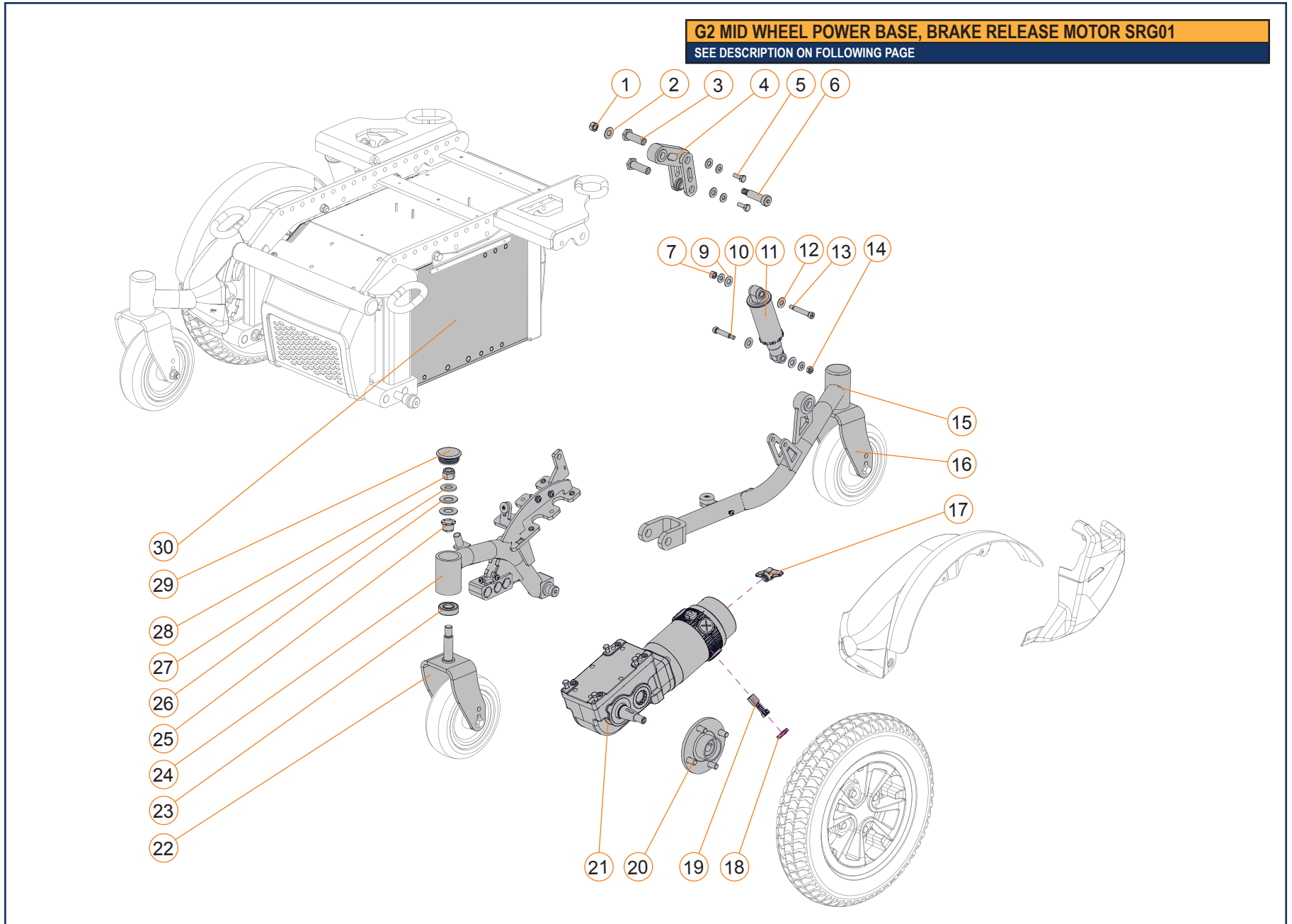
G2 MID WHEEL POWER BASE, WITH COG RELEASE MOTOR SRG04			
ITEM #	PART #	DESCRIPTION	EFFECTIVE
1-6	1004390	LINK KIT, MID	2023-01-01
7-12	S-0050	KIT, SHOCK ASS'Y, 200 LB*IN, SOFT	2015-08-01
13A	S-0056-XXX*	REAR G2 MWD SUSPENSION ARM LH	2015-08-01
13B	S-0055-XXX*	REAR G2 MWD SUSPENSION ARM RH	2015-08-01
14	A10193	6 IN AND 8 IN CASTER FORK FOR MWD	2015-02-26
15, 16	S-0006	BRUSH KIT FOR 4 POLE MOTORS	2011-01-17
15, 16, 17A, 18A	R00038	5.9/6.5 MPH STANDARD DRIVE MOTOR FOR MWD LH	2008-04-30
15, 16, 17A, 18B	R00037	5.9/6.5 MPH STANDARD DRIVE MOTOR FOR MWD RH	2008-04-30
17A	S-0013	STANDARD DRIVE WHEEL HUB KIT	2019-02-14
17B	S-0031	14 IN X 4 IN DRIVE WHEEL HUB KIT	2019-02-14
19A	S-0047	BRAKE ROD KIT FOR G2 MWD LH	2017-07-13
19B	S-0046	BRAKE ROD KIT FOR G2 MWD RH	2017-07-13
20A	S-0054-XXX*	FRONT G2 MWD SUSPENSION ARM LH	2015-08-01
20B	S-0053-XXX*	FRONT G2 MWD SUSPENSION ARM RH	2015-08-01
21, 23-27	S-0035	BUSHING KIT FOR CASTER FORKS	2015-12-30
22	A10193	6 IN AND 8 IN CASTER FORK FOR MWD	2015-02-26
27	K00058	CASTER FORK HUB DUST COVER	2016-11-16
28A	S-0044	KIT FOR G2 COMPACT GP22 BATTERY COMPARTEMENT	2015-08-01
28B	S-0079	KIT FOR G2 COMPACT GP24 BATTERY COMPARTEMENT	2015-08-01
28C	S-0079-SMART	KIT, G2 COMPACT GP24 BATTERY COMPARTEMENT, SMARTT	2023-10-02
NOT SHOWN	S-0033	SERVICE KIT FOR PIVOT POINTS, MWD	2012-03-21
NOT SHOWN	S-0063	HARDWARE KIT FOR DRIVE MOTOR	2008-04-30

*COLOR CODES (ADD SUFFIX TO CONFIRM REQUIRED COLOR (EX: S-XXXX-BAO))	
CODES	DESCRIPTION
PRISMA	BLACK PRISMACOLOR FRAME COLOR
BAO	BLACK OPAL METALLIC FRAME COLOR
BOR	BURNT ORANGE METALLIC FRAME COLOR
CBU	CANDY BLUE FRAME COLOR
CRE	CANDY RED FRAME COLOR
GMC	GUN METAL FRAME COLOR
MLP	MIDNIGHT PURPLE FRAME COLOR
MWT	MATTE WHITE FRAME COLOR
BLK	BLACK (GLOSS) FRAME COLOR
MYG	MILITARY GREEN FRAME COLOR
MYT	MILITARY TAN FRAME COLOR
OPM	SPARKLE ORANGE FRAME COLOR
PKP	PEARL PINK FRAME COLOR
RZB	RAZZLEBERRY FRAME COLOR
SBM	MATTE BLACK FRAME COLOR
SVM	SILVER METALLIC FRAME COLOR



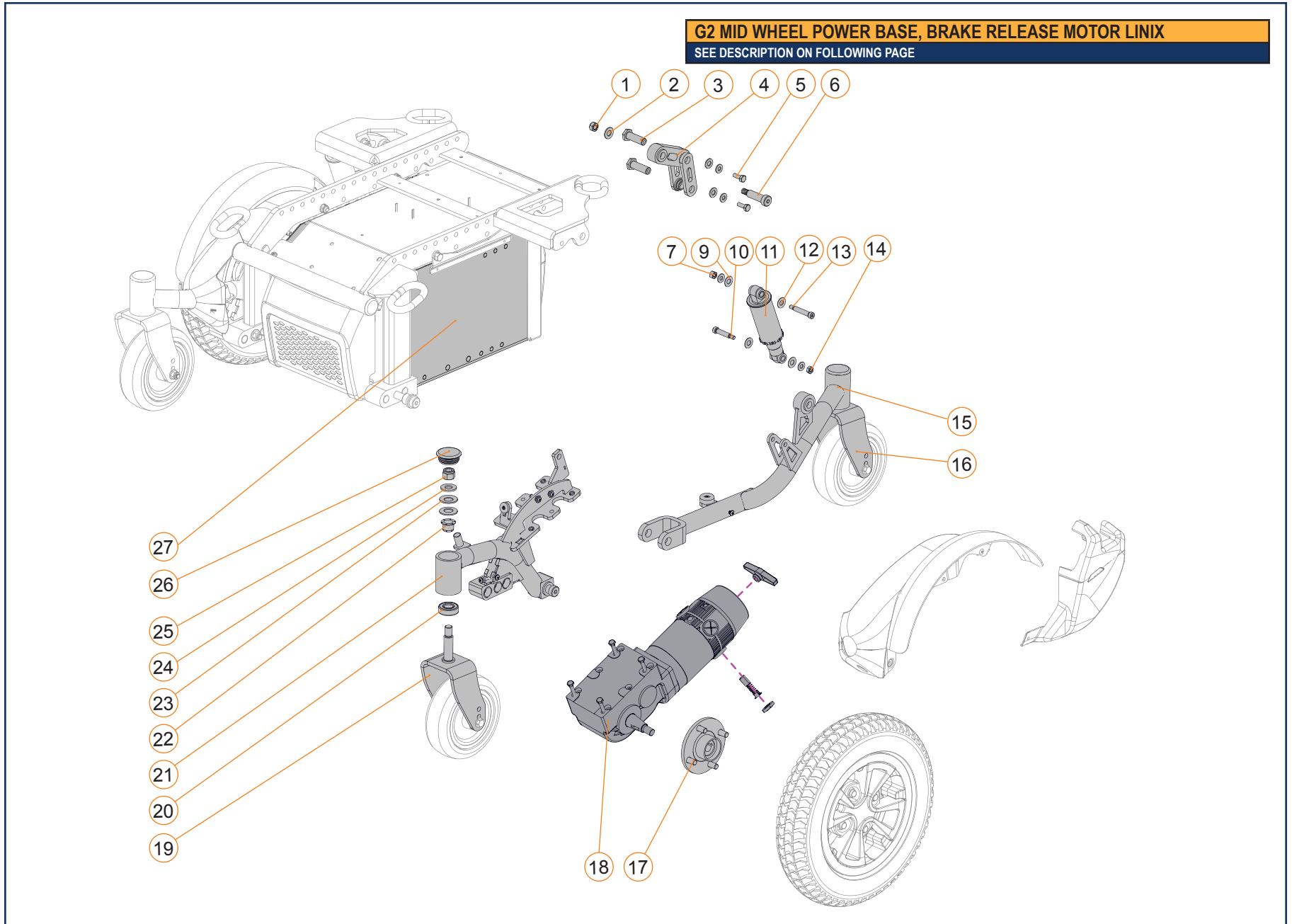
G2 MID WHEEL POWER BASE, BRAKE RELEASE MOTOR SRG06			
ITEM #	PART #	DESCRIPTION	EFFECTIVE
1-6	1004390	LINK KIT, MID	2023-01-01
7-14	S-0050	KIT, SHOCK ASS'Y, 200 LB*IN, SOFT	2015-08-01
15A	S-0069-XXX*	REAR G2 MWD SUSPENSION ARM LH	2015-08-01
15B	S-0068-XXX*	REAR G2 MWD SUSPENSION ARM RH	2015-08-01
16	A10193	6 IN AND 8 IN CASTER FORK FOR MWD	2015-02-26
17, 18	S-0006	BRUSH KIT FOR 4 POLE MOTORS	2011-01-17
17, 18, 19A, 20A	R00049	5.9/6.5 MPH STANDARD DRIVE MOTOR FOR MWD LH	2008-04-30
17, 18, 19B, 20A	R00050	5.9/6.5 MPH STANDARD DRIVE MOTOR FOR MWD RH	2008-04-30
20A	S-0013	STANDARD DRIVE WHEEL HUB KIT	2015-08-01
20B	S-0031	14 IN X 4 IN DRIVE WHEEL HUB KIT	2015-08-01
21	A10193	6 IN AND 8 IN CASTER FORK FOR MWD	2015-02-26
22, 24-28	S-0035	BUSHING KIT FOR CASTER FORKS	2015-12-30
23A	S-0067-XXX*	FRONT G2 MWD SUSPENSION ARM LH	2015-08-01
23B	S-0066-XXX*	FRONT G2 MWD SUSPENSION ARM RH	2015-08-01
28	K00058	CASTER FORK HUB DUST COVER	2016-11-16
29A	S-0044	KIT FOR G2 COMPACT GP22 BATTERY COMPARTEMENT	2015-08-01
29B	S-0079	KIT FOR G2 COMPACT GP24 BATTERY COMPARTEMENT	2015-08-01
NOT SHOWN	S-0076	SERVICE KIT FOR PIVOT POINTS, MWD	2012-03-21
NOT SHOWN	S-0078	HARDWARE KIT FOR DRIVE MOTOR	2008-04-30

*COLOR CODES (ADD SUFFIX TO CONFIRM REQUIRED COLOR (EX: S-XXXX-BAO))	
CODES	DESCRIPTION
PRISMA	BLACK PRISMACOLOR FRAME COLOR
BAO	BLACK OPAL METALLIC FRAME COLOR
BOR	BURNT ORANGE METALLIC FRAME COLOR
CBU	CANDY BLUE FRAME COLOR
CRE	CANDY RED FRAME COLOR
GMC	GUN METAL FRAME COLOR
MLP	MIDNIGHT PURPLE FRAME COLOR
MWT	MATTE WHITE FRAME COLOR
BLK	BLACK (GLOSS) FRAME COLOR
MYG	MILITARY GREEN FRAME COLOR
MYT	MILITARY TAN FRAME COLOR
OPM	SPARKLE ORANGE FRAME COLOR
PKP	PEARL PINK FRAME COLOR
RZB	RAZZLEBERRY FRAME COLOR
SBM	MATTE BLACK FRAME COLOR
SVM	SILVER METALLIC FRAME COLOR



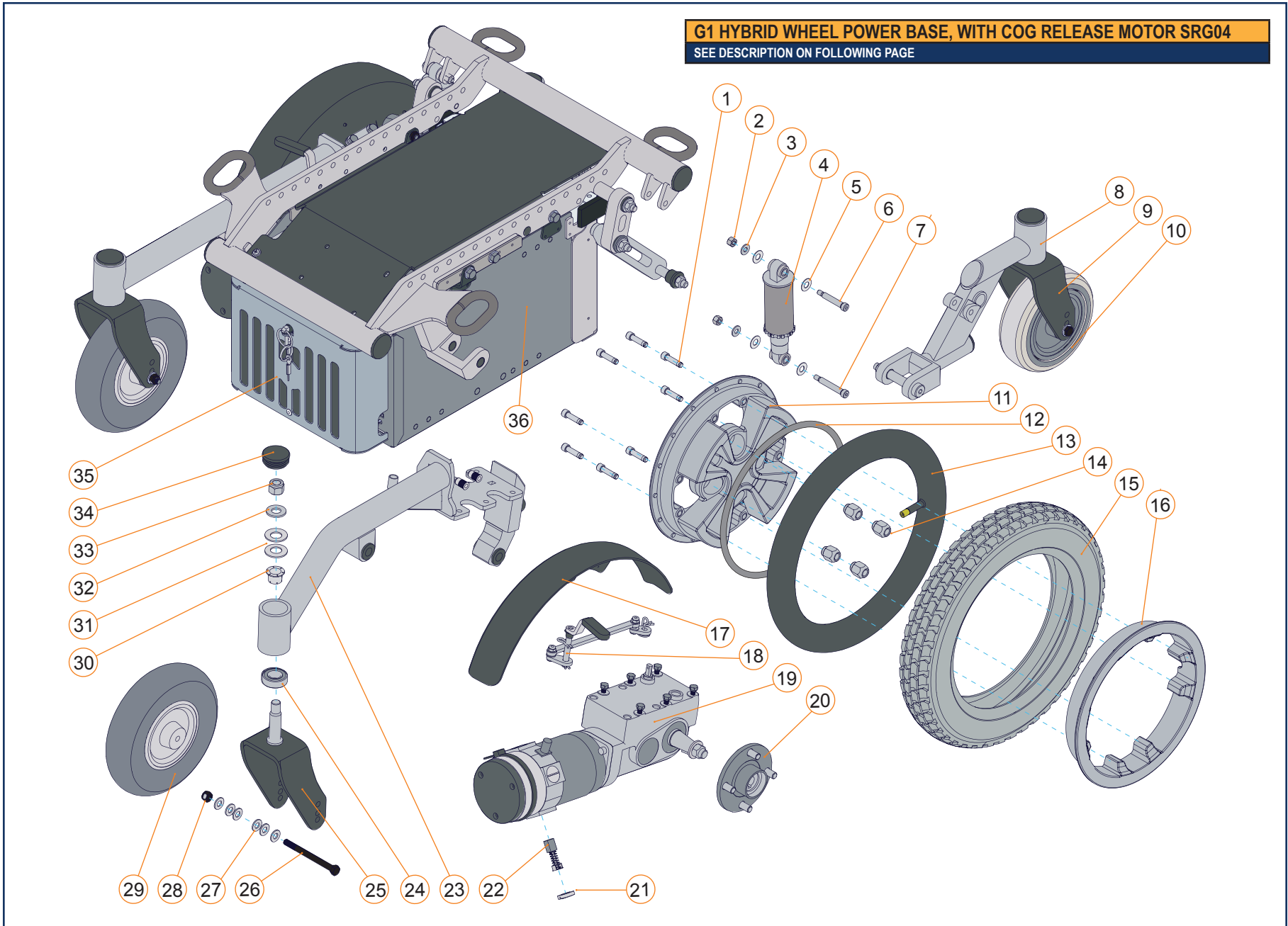
G2 MID WHEEL POWER BASE, BRAKE RELEASE MOTOR SRG01			
ITEM #	PART #	DESCRIPTION	EFFECTIVE
1-6	1004390	LINK KIT, MID	2023-01-01
7-14A	S-0050	KIT, SHOCK ASS'Y, 200 LB*IN, SOFT	2015-08-01
7-14B	S-0051	KIT, SHOCK ASS'Y, 250 LB*IN, MEDIUM	2021-12-15
7-14C	S-0052	KIT, SHOCK ASS'Y, 350 LB*IN, FIRM	2021-12-15
15A	S-0062-XXX*	REAR LH REAR WHEEL SUSPENSION ARM	2017-07-13
15B	S-0061-XXX*	REAR RH REAR WHEEL SUSPENSION ARM	2017-07-13
16	A10193	6 IN AND 8 IN CASTER FORK FOR MWD	2015-02-26
17	1004418	BRAKE LEVER, SRG-01 MOTOR	2023-03-13
18-19	1004420	BRUSH KIT WITH CAPS FOR 4 POLE MOTORS, SRG-01	2023-03-29
17-19, 20A, 21A	1002457	4 POLES DRIVE MOTOR SRG-01, 6.5 MPH, R-RH / M-LH	2021-01-04
17-19, 20A, 21B	1002458	4 POLE DRIVE MOTOR SRG-01, 6.5 MPH, R-LH / M-RH	2021-01-04
20A	S-0013	STANDARD DRIVE WHEEL HUB KIT	2015-08-01
20B	S-0031	14 IN X 4 IN DRIVE WHEEL HUB KIT	2015-08-01
22	A10193	6 IN AND 8 IN CASTER FORK FOR MWD	2015-02-26
23, 25-29	S-0035	BUSHING KIT FOR CASTER FORKS	2015-12-30
24A	S-0054-XXX*	FRONT G2 MWD SUSPENSION ARM LH	2019-11-20
24B	S-0053-XXX*	FRONT G2 MWD SUSPENSION ARM RH	2019-11-20
29	K00058	CASTER FORK HUB DUST COVER	2015-08-01
30A	S-0044	KIT FOR G2 COMPACT GP22 BATTERY COMPARTEMENT	2015-08-01
30B	S-0079	KIT FOR G2 COMPACT GP24 BATTERY COMPARTEMENT	2015-08-01
30C	1003818	KIT, NARROW N2221 BATTERY COMPARTEMENT, G2	2021-12-15
NOT SHOWN	S-0033	SERVICE KIT FOR PIVOT POINTS, MWD	2015-11-17

*COLOR CODES (ADD SUFFIX TO CONFIRM REQUIRED COLOR (EX: S-XXXX-BAO))	
CODES	DESCRIPTION
PRISMA	BLACK PRISMACOLOR FRAME COLOR
BAO	BLACK OPAL METALLIC FRAME COLOR
BOR	BURNT ORANGE METALLIC FRAME COLOR
CBU	CANDY BLUE FRAME COLOR
CRE	CANDY RED FRAME COLOR
GMC	GUN METAL FRAME COLOR
MLP	MIDNIGHT PURPLE FRAME COLOR
MWT	MATTE WHITE FRAME COLOR
BLK	BLACK (GLOSS) FRAME COLOR
MYG	MILITARY GREEN FRAME COLOR
MYT	MILITARY TAN FRAME COLOR
OPM	SPARKLE ORANGE FRAME COLOR
PKP	PEARL PINK FRAME COLOR
RZB	RAZZLEBERRY FRAME COLOR
SBM	MATTE BLACK FRAME COLOR
SVM	SILVER METALLIC FRAME COLOR



G2 MID WHEEL POWER BASE, BRAKE RELEASE MOTOR LINIX			
ITEM #	PART #	DESCRIPTION	EFFECTIVE
1-6	1004390	LINK KIT, MID	2023-01-01
7-14A	S-0050	KIT, SHOCK ASS'Y, 200 LB*IN, SOFT	2015-08-01
7-14B	S-0051	KIT, SHOCK ASS'Y, 250 LB*IN, MEDIUM	2021-12-15
7-14C	S-0052	KIT, SHOCK ASS'Y, 350 LB*IN, FIRM	2021-12-15
15A	S-0062-XXX*	REAR LH REAR WHEEL SUSPENSION ARM	2017-07-13
15B	S-0061-XXX*	REAR RH REAR WHEEL SUSPENSION ARM	2017-07-13
16	A10193	6 IN AND 8 IN CASTER FORK FOR MWD	2015-02-26
17A-18A	1005973	4-POLE MOTOR LINIX 6.5MPH, H-LH_M-RH, ENCO	2026-04-21
17A-18B	1005974	4-POLE MOTOR LINIX 6.5MPH, H-RH_M-LH, ENCO	2026-04-21
17B-18A	1005975	4-POLE LINIX 6.5MPH, H-LH_M-RH, 14X4, ENCO	2026-04-21
17B-18B	1005976	4-POLE LINIX 6.5MPH, H-RH_M-LH, 14X4, ENCO	2026-04-21
17A	S-0013	STANDARD DRIVE WHEEL HUB KIT	2015-08-01
17B	S-0031	14 IN X 4 IN DRIVE WHEEL HUB KIT	2015-08-01
19	A10193	6 IN AND 8 IN CASTER FORK FOR MWD	2015-02-26
20, 22-26	S-0035	BUSHING KIT FOR CASTER FORKS	2015-12-30
21A	S-0054-XXX*	FRONT G2 MWD SUSPENSION ARM LH	2019-11-20
21B	S-0053-XXX*	FRONT G2 MWD SUSPENSION ARM RH	2019-11-20
26	K00058	CASTER FORK HUB DUST COVER	2015-08-01
27A	S-0044	KIT FOR G2 COMPACT GP22 BATTERY COMPARTEMENT	2015-08-01
27B	S-0079	KIT FOR G2 COMPACT GP24 BATTERY COMPARTEMENT	2015-08-01
27C	1003818	KIT, NARROW N2221 BATTERY COMPARTEMENT, G2	2021-12-15
NOT SHOWN	S-0033	SERVICE KIT FOR PIVOT POINTS, MWD	2015-11-17

*COLOR CODES (ADD SUFFIX TO CONFIRM REQUIRED COLOR (EX: S-XXXX-BAO))	
CODES	DESCRIPTION
PRISMA	BLACK PRISMACOLOR FRAME COLOR
BAO	BLACK OPAL METALLIC FRAME COLOR
BOR	BURNT ORANGE METALLIC FRAME COLOR
CBU	CANDY BLUE FRAME COLOR
CRE	CANDY RED FRAME COLOR
GMC	GUN METAL FRAME COLOR
MLP	MIDNIGHT PURPLE FRAME COLOR
MWT	MATTE WHITE FRAME COLOR
BLK	BLACK (GLOSS) FRAME COLOR
MYG	MILITARY GREEN FRAME COLOR
MYT	MILITARY TAN FRAME COLOR
OPM	SPARKLE ORANGE FRAME COLOR
PKP	PEARL PINK FRAME COLOR
RZB	RAZZLEBERRY FRAME COLOR
SBM	MATTE BLACK FRAME COLOR
SVM	SILVER METALLIC FRAME COLOR

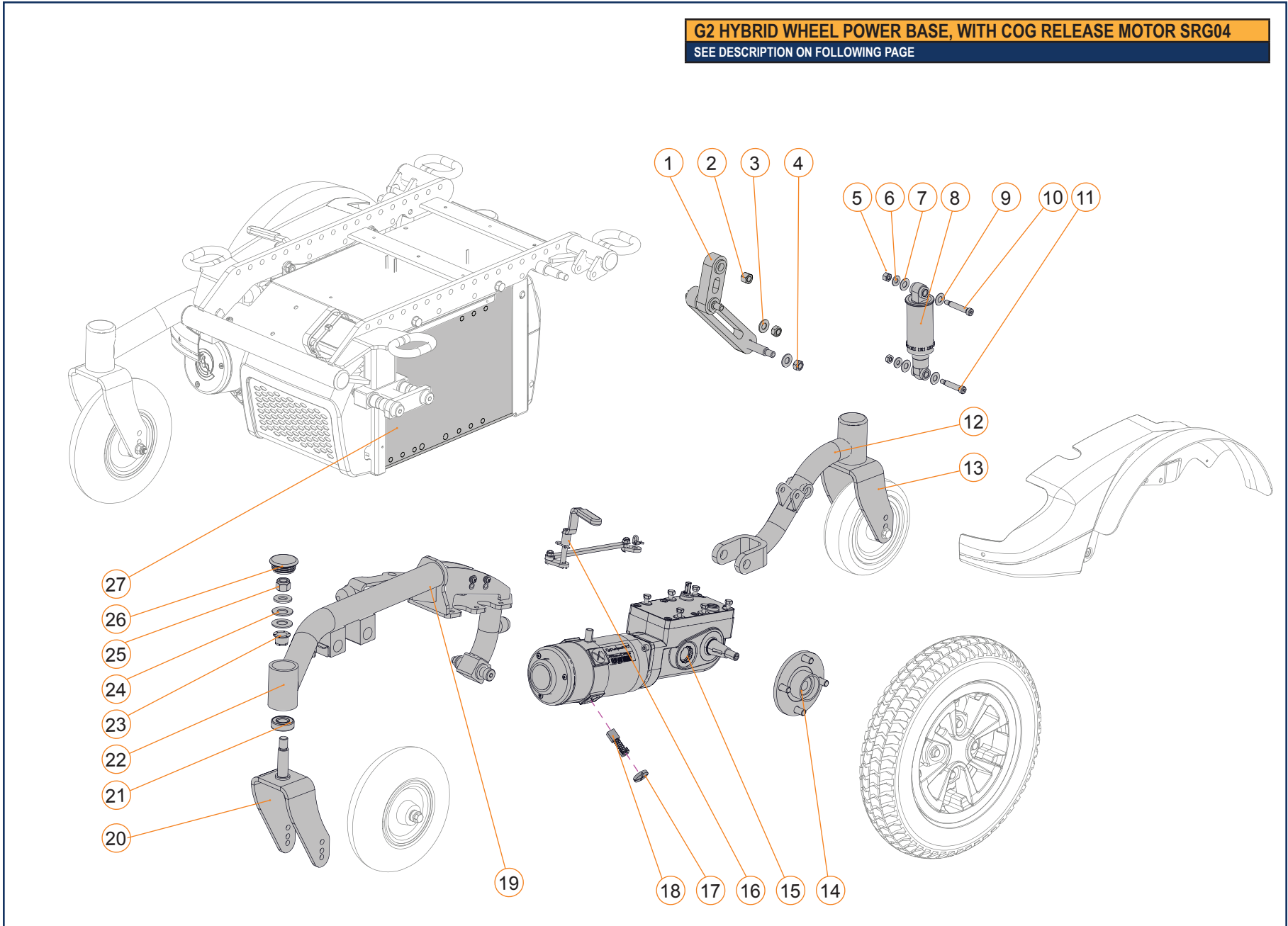


**G1 HYBRID WHEEL POWER BASE, WITH COG RELEASE MOTOR SRG04**

ITEM #	PART #	DESCRIPTION	PRIOR TO
1A, 11A, 16A	C-10295	12 IN AND 14 IN DRIVE WHEEL RIM ASSEMBLY	2015-08-01
1B, 11B, 16B	C-10228	14 IN X 4 IN DRIVE WHEEL RIM ASSEMBLY	2015-08-01
2-7	C-10224	KIT, SHOCK ASS'Y, 200 LB*IN, SOFT, HWD WHEEL	2015-08-01
8A	C-10183	REAR LH REAR WHEEL SUSPENSION ARM	2015-08-01
8B	C-10185	REAR RH REAR WHEEL SUSPENSION ARM	2015-08-01
9	A10193	6 IN CASTER FORK FOR HWD	2015-08-01
10	J00024	GRAY 6 IN X 2 IN SOLID CASTER WHEEL	2015-08-01
13A	GP-384736	12 IN X 2 IN DRIVE WHEEL INNER PNEUMATIC TUBE	2015-08-01
13B	GP-384739	14 IN X 3 IN DRIVE WHEEL INNER PNEUMATIC TUBE	2015-08-01
13C	J00029	14 IN X 4 IN DRIVE WHEEL INNER PNEUMATIC TUBE	2015-08-01
14	GP-200135	CONICAL LUG NUTS	2015-08-01
15A	GP-384706	GRAY 12 IN X 2 IN PNEUMATIC KNOBBY DRIVE TIRE	2015-08-01
15B	J00057	GRAY 12 IN X 2 IN FOAM FILLED KNOBBY DRIVE TIRE	2015-08-01
15E	GP-384709	GRAY 14 IN X 3 IN PNEUMATIC KNOBBY DRIVE TIRE	2015-08-01
15F	GP-5808003	GRAY 14 IN X 3 IN FOAM FILLED KNOBBY DRIVE TIRE	2015-08-01
15I	J00028	GRAY 14 IN X 4 IN PNEUMATIC KNOBBY DRIVE TIRE	2015-08-01
15J	J00030	GRAY 14 IN X 4 IN FOAM FILLED KNOBBY DRIVE TIRE	2015-08-01
17	S-0098	DRIVE WHEEL FENDER INSTALLATION KIT, PAIR	2015-08-01
18A	S-0049	LH BRAKE ROD KIT FOR HWD	2015-08-01
18B	S-0048	RH BRAKE ROD KIT FOR HWD	2015-08-01
19A, 20A, 21, 22	R00037	5.9/6.5 MPH LH STANDARD DRIVE MOTOR FOR HWD	2015-08-01
19B, 20A, 21, 22	R00038	5.9/6.5 MPH RH STANDARD DRIVE MOTOR FOR HWD	2015-08-01
19C, 20A, 21, 22	R00035	8.5 MPH LH HIGH SPEED DRIVE MOTOR FOR HWD	2015-08-01
19D, 20A, 21, 22	R00036	8.5 MPH RH HIGH SPEED DRIVE MOTOR FOR HWD	2015-08-01

ITEM #	PART #	DESCRIPTION	PRIOR TO
20A	S-0013	STANDARD DRIVE WHEEL HUB KIT	2015-08-01
20B	S-0031	14 IN X 4 IN DRIVE WHEEL HUB KIT	2015-08-01
21, 22	S-0006	BRUSH KIT FOR 4 POLE MOTORS	2015-08-01
23A	C-10179	FRONT LH HWD FLARED SUSPENSION ARM	2015-08-01
23B	C-10181	FRONT RH HWD FLARED SUSPENSION ARM	2015-08-01
23C	C-10211	FRONT LH HWD STRAIGHT SUSPENSION ARM	2015-08-01
23D	C-10213	FRONT RH HWD STRAIGHT SUSPENSION ARM	2015-08-01
24, 30-34	S-0035	BUSHING KIT FOR CASTER FORKS	2015-08-01
25A	A10244	8 IN CASTER FORK FOR HWD	2015-08-01
25B	A10245	9 IN CASTER FORK FOR HWD	2015-08-01
26A, 27, 28	S-0064	6 IN AND 8 IN CASTER AXLE KIT	2015-08-01
26B, 27, 28	S-0065	9 IN CASTER AXLE KIT	2015-08-01
29A	GP-400700	GRAY 8 IN X 2 IN PNEUMATIC CASTER WHEEL	2015-08-01
29B	GP-400702	GRAY 8 IN X 2 IN FOAM FILLED CASTER WHEEL	2015-08-01
29C	GP-400750	GRAY 9 IN X 3 IN PNEUMATIC CASTER WHEEL	2015-08-01
29D	GP-400751	GRAY 9 IN X 3 IN FOAM FILLED CASTER WHEEL	2015-08-01
34	K00058	CASTER FORK HUB DUST COVER	2015-08-01
35	C-1086	FRONT MODULE COVER, COMPACT GP22 BATTERIES	2015-08-01
35, 36A	C-10121	KIT FOR G1 COMPACT GP22 BATTERY COMPARTEMENT	2015-08-01
NOT SHOWN	S-0018	SERVICE KIT FOR PIVOT POINTS, HWD	2015-08-01
NOT SHOWN	S-0063	HARDWARE KIT FOR DRIVE MOTOR	2015-08-01

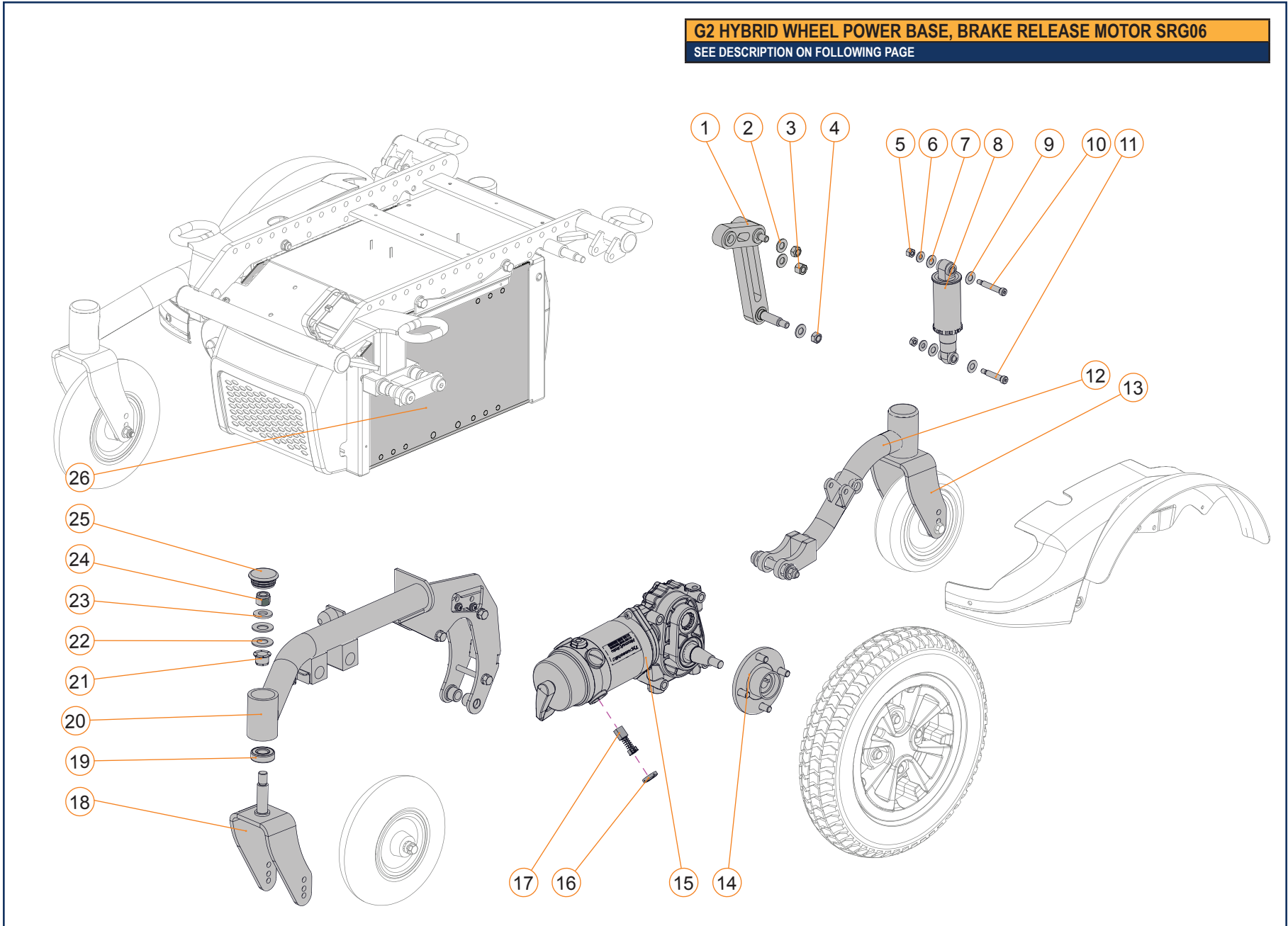
**G2 HYBRID WHEEL POWER BASE, WITH COG RELEASE MOTOR SRG04**  
 SEE DESCRIPTION ON FOLLOWING PAGE



G2 HYBRID WHEEL POWER BASE, WITH COG RELEASE MOTOR SRG04			
ITEM #	PART #	DESCRIPTION	EFFECTIVE
1-4	1004391	LINK KIT, HYBRID	2023-01-01
5-11	S-0050	KIT, SHOCK ASS'Y, 200 LB*IN, SOFT	2015-08-01
12A	S-0062-XXX*	REAR LH REAR WHEEL SUSPENSION ARM	2015-08-01
12B	S-0061-XXX*	REAR RH REAR WHEEL SUSPENSION ARM	2015-08-01
13	A10193	6 IN CASTER FORK FOR HWD	2015-08-01
14A	S-0013	STANDARD DRIVE WHEEL HUB KIT	2015-08-01
14B	S-0031	14 IN X 4 IN DRIVE WHEEL HUB KIT	2015-08-01
14A, 15A, 17, 18	R00037	5.9/6.5 MPH LH STANDARD DRIVE MOTOR FOR HWD	2015-08-01
14A, 15B, 17, 18	R00038	5.9/6.5 MPH RH STANDARD DRIVE MOTOR FOR HWD	2015-08-01
14A, 15C, 17, 18	R00035	8.5 MPH LH HIGH SPEED DRIVE MOTOR FOR HWD	2015-08-01
14A, 15D, 17, 18	R00036	8.5 MPH RH HIGH SPEED DRIVE MOTOR FOR HWD	2015-08-01
16A	S-0049	LH BRAKE ROD KIT FOR HWD	2015-08-01
16B	S-0048	RH BRAKE ROD KIT FOR HWD	2015-08-01
17, 18	S-0006	BRUSH KIT FOR 4 POLE MOTORS	2015-08-01
19A	S-0058-XXX*	FRONT LH HWD FLARED SUSPENSION ARM	2015-08-01
19B	S-0057-XXX*	FRONT RH HWD FLARED SUSPENSION ARM	2015-08-01
19C	S-0060-XXX*	FRONT LH HWD STRAIGHT SUSPENSION ARM	2015-08-01
19D	S-0059-XXX*	FRONT RH HWD STRAIGHT SUSPENSION ARM	2015-08-01
20A	A10244	8 IN CASTER FORK FOR HWD	2015-08-01
20B	A10245	9 IN CASTER FORK FOR HWD	2015-08-01
21, 23-26	S-0035	BUSHING KIT FOR CASTER FORKS	2015-08-01
26	K00058	CASTER FORK HUB DUST COVER	2015-08-01
27	S-0044	KIT FOR G2 COMPACT GP22 BATTERY COMPARTEMENT	2015-08-01
NOT SHOWN	S-0034	SERVICE KIT FOR PIVOT POINTS, HWD	2012-03-21
NOT SHOWN	S-0063	HARDWARE KIT FOR DRIVE MOTOR	2008-04-30

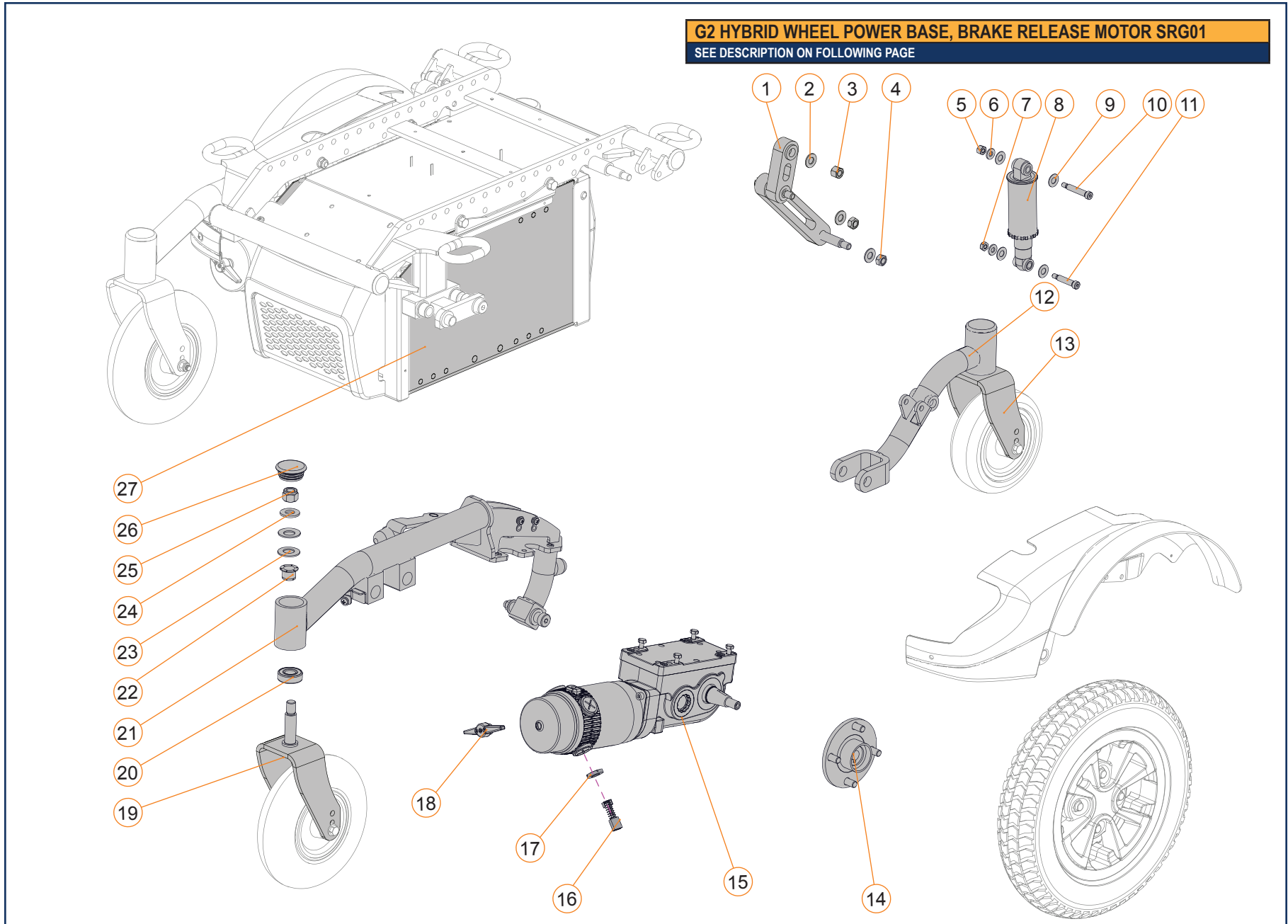
*COLOR CODES (ADD SUFFIX TO CONFIRM REQUIRED COLOR (EX: S-XXXX-BAO))	
CODES	DESCRIPTION
PRISMA	BLACK PRISMACOLOR FRAME COLOR
BAO	BLACK OPAL METALLIC FRAME COLOR
BOR	BURNT ORANGE METALLIC FRAME COLOR
CBU	CANDY BLUE FRAME COLOR
CRE	CANDY RED FRAME COLOR
GMC	GUN METAL FRAME COLOR
MLP	MIDNIGHT PURPLE FRAME COLOR
MWT	MATTE WHITE FRAME COLOR
BLK	BLACK (GLOSS) FRAME COLOR
MYG	MILITARY GREEN FRAME COLOR
MYT	MILITARY TAN FRAME COLOR
OPM	SPARKLE ORANGE FRAME COLOR
PKP	PEARL PINK FRAME COLOR
RZB	RAZZLEBERRY FRAME COLOR
SBM	MATTE BLACK FRAME COLOR
SVM	SILVER METALLIC FRAME COLOR

**G2 HYBRID WHEEL POWER BASE, BRAKE RELEASE MOTOR SRG06**  
SEE DESCRIPTION ON FOLLOWING PAGE



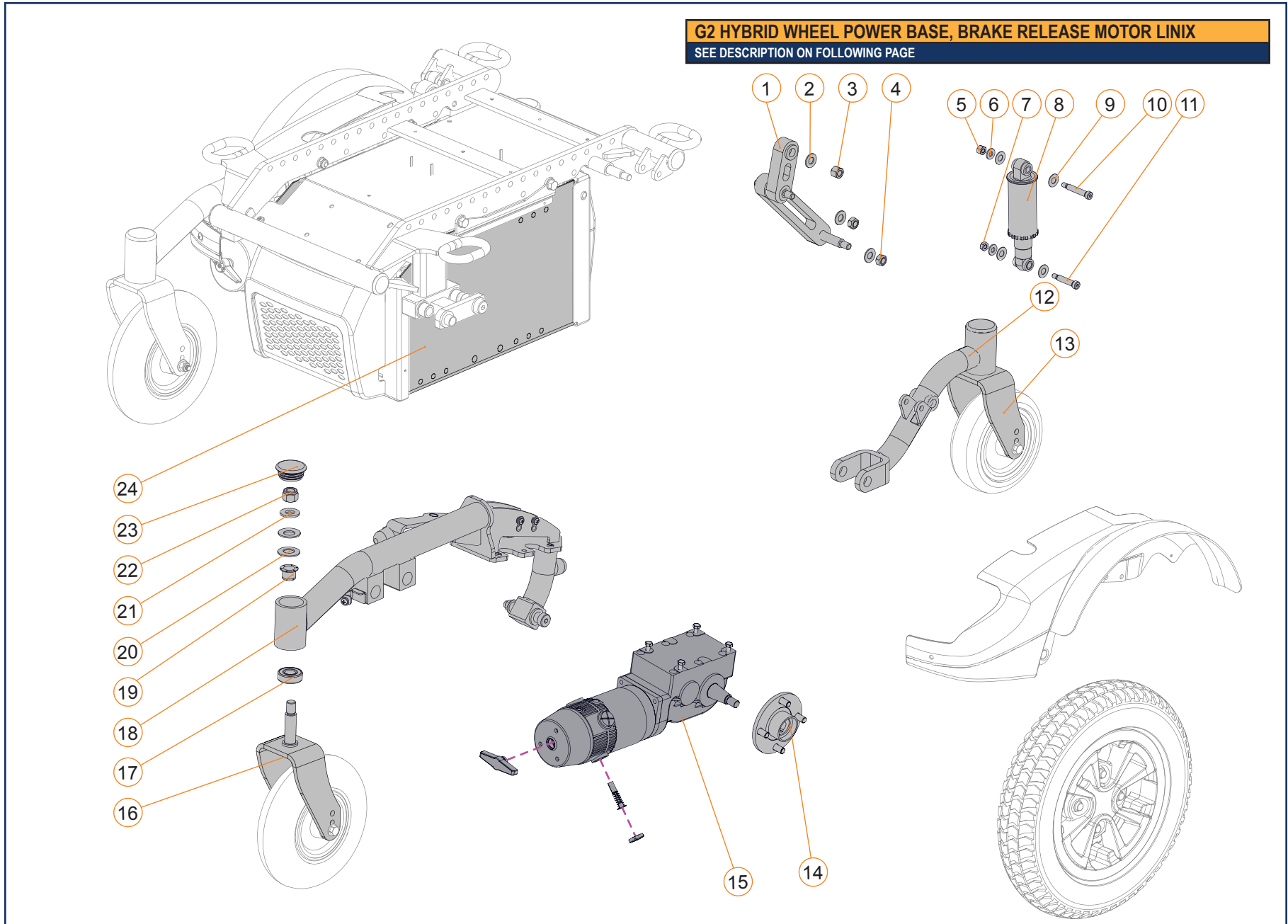
G2 HYBRID WHEEL POWER BASE, BRAKE RELEASE MOTOR SRG06			
ITEM #	PART #	DESCRIPTION	EFFECTIVE
1-4	1004391	LINK KIT, HYBRID	2023-01-01
5-11	S-0050	KIT, SHOCK ASS'Y, 200 LB*IN, SOFT	2015-08-01
12A	S-0075-XXX*	REAR LH HYBRID WHEEL SUSPENSION ARM	2015-08-01
12B	S-0074-XXX*	REAR RH HYBRID WHEEL SUSPENSION ARM	2015-08-01
13	A10193	6 IN CASTER FORK FOR HWD	2015-08-01
14A	S-0013	STANDARD DRIVE WHEEL HUB KIT	2015-08-01
14B	S-0031	14 IN X 4 IN DRIVE WHEEL HUB KIT	2015-08-01
14A, 15A, 16, 17	R00050	5.9/6.5 MPH LH STANDARD DRIVE MOTOR FOR HWD	2015-08-01
14A, 15B, 16, 17	R00049	5.9/6.5 MPH RH STANDARD DRIVE MOTOR FOR HWD	2015-08-01
16, 17	S-0006	BRUSH KIT FOR 4 POLE MOTORS	2015-08-01
18A	A10244	8 IN CASTER FORK FOR HWD	2015-08-01
18B	A10245	9 IN CASTER FORK FOR HWD	2015-08-01
19, 21-25	S-0035	BUSHING KIT FOR CASTER FORKS	2015-08-01
20A	S-0071-XXX*	FRONT LH HWD FLARED SUSPENSION ARM	2015-08-01
20B	S-0070-XXX*	FRONT RH HWD FLARED SUSPENSION ARM	2015-08-01
20C	S-0073-XXX*	FRONT LH HWD STRAIGHT SUSPENSION ARM	2015-08-01
20D	S-0072-XXX*	FRONT RH HWD STRAIGHT SUSPENSION ARM	2015-08-01
25	K00058	CASTER FORK HUB DUST COVER	2017-03-01
26	S-0044	KIT FOR G2 COMPACT GP22 BATTERY COMPARTEMENT	2015-08-01
NOT SHOWN	S-0077	SERVICE KIT FOR PIVOT POINTS, HWD	2012-03-21
NOT SHOWN	S-0078	HARDWARE KIT FOR DRIVE MOTOR	2008-04-30

*COLOR CODES (ADD SUFFIX TO CONFIRM REQUIRED COLOR (EX: S-XXXX-BAO))	
CODES	DESCRIPTION
PRISMA	BLACK PRISMACOLOR FRAME COLOR
BAO	BLACK OPAL METALLIC FRAME COLOR
BOR	BURNT ORANGE METALLIC FRAME COLOR
CBU	CANDY BLUE FRAME COLOR
CRE	CANDY RED FRAME COLOR
GMC	GUN METAL FRAME COLOR
MLP	MIDNIGHT PURPLE FRAME COLOR
MWT	MATTE WHITE FRAME COLOR
BLK	BLACK (GLOSS) FRAME COLOR
MYG	MILITARY GREEN FRAME COLOR
MYT	MILITARY TAN FRAME COLOR
OPM	SPARKLE ORANGE FRAME COLOR
PKP	PEARL PINK FRAME COLOR
RZB	RAZZLEBERRY FRAME COLOR
SBM	MATTE BLACK FRAME COLOR
SVM	SILVER METALLIC FRAME COLOR



G2 HYBRID WHEEL POWER BASE, BRAKE RELEASE MOTOR SRG01			
ITEM #	PART #	DESCRIPTION	EFFECTIVE
1-4	1004391	LINK KIT, HYBRID	2023-01-01
5-11	S-0050	KIT, SHOCK ASS'Y, 200 LB*IN, SOFT	2015-08-01
12A	S-0062-XXX*	REAR LH REAR WHEEL SUSPENSION ARM	2017-07-13
12B	S-0061-XXX*	REAR RH REAR WHEEL SUSPENSION ARM	2017-07-13
13	A10193	6 IN CASTER FORK FOR HWD	2015-08-01
14A	S-0013	STANDARD DRIVE WHEEL HUB KIT	2015-08-01
14B	S-0031	14 IN X 4 IN DRIVE WHEEL HUB KIT	2015-08-01
14A, 15A, 16-18	1002458	4 POLES DRIVE MOTOR SRG-01, 6.5 MPH, R-LH / M-RH	2021-01-04
14A, 15B, 16-18	1002457	4 POLES DRIVE MOTOR SRG-01, 6.5 MPH, R-RH / M-LH	2021-01-04
16, 17	1004420	BRUSH KIT WITH CAPS FOR 4 POLE MOTORS, SRG-01	2023-03-29
18	1004418	BRAKE LEVER, SRG-01 MOTOR	2023-03-13
19A	A10244	8 IN CASTER FORK FOR HWD	2015-08-01
19B	A10245	9 IN CASTER FORK FOR HWD	2015-08-01
20, 22-26	S-0035	BUSHING KIT FOR CASTER FORKS	2015-08-01
21A	S-0058-XXX*	FRONT LH HWD FLARED SUSPENSION ARM	2019-11-20
21B	S-0057-XXX*	FRONT RH HWD FLARED SUSPENSION ARM	2019-11-20
21C	S-0060-XXX*	FRONT LH HWD STRAIGHT SUSPENSION ARM	2019-11-20
21D	S-0059-XXX*	FRONT RH HWD STRAIGHT SUSPENSION ARM	2019-11-20
26	K00058	CASTER FORK HUB DUST COVER	2017-03-01
27	S-0044	KIT FOR G2 COMPACT GP22 BATTERY COMPARTEMENT	2015-08-01
NOT SHOWN	S-0034	SERVICE KIT FOR PIVOT POINTS, HWD	2015-11-25

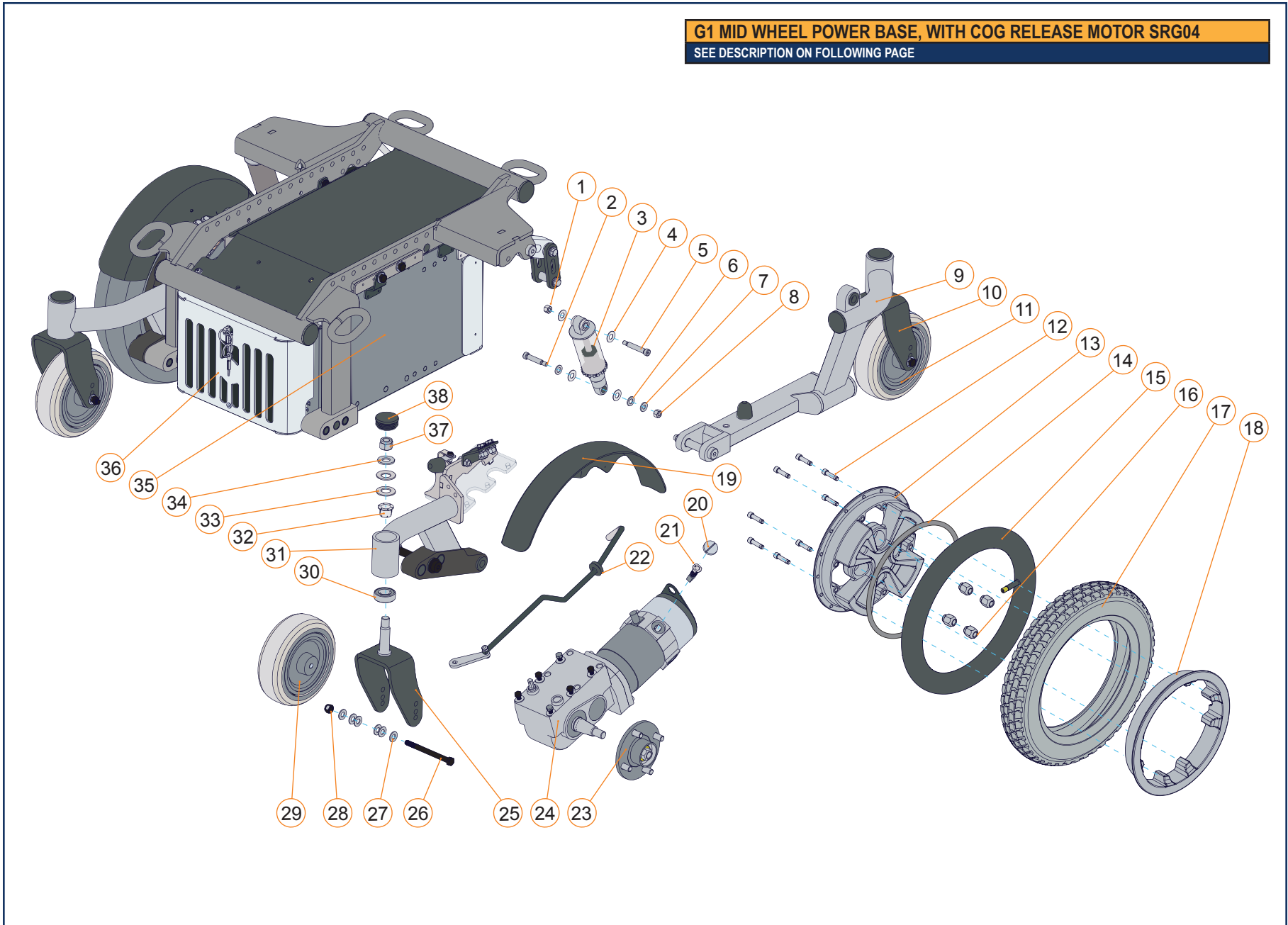
*COLOR CODES (ADD SUFFIX TO CONFIRM REQUIRED COLOR (EX: S-XXXX-BAO))	
CODES	DESCRIPTION
PRISMA	BLACK PRISMACOLOR FRAME COLOR
BAO	BLACK OPAL METALLIC FRAME COLOR
BOR	BURNT ORANGE METALLIC FRAME COLOR
CBU	CANDY BLUE FRAME COLOR
CRE	CANDY RED FRAME COLOR
GMC	GUN METAL FRAME COLOR
MLP	MIDNIGHT PURPLE FRAME COLOR
MWT	MATTE WHITE FRAME COLOR
BLK	BLACK (GLOSS) FRAME COLOR
MYG	MILITARY GREEN FRAME COLOR
MYT	MILITARY TAN FRAME COLOR
OPM	SPARKLE ORANGE FRAME COLOR
PKP	PEARL PINK FRAME COLOR
RZB	RAZZLEBERRY FRAME COLOR
SBM	MATTE BLACK FRAME COLOR
SVM	SILVER METALLIC FRAME COLOR



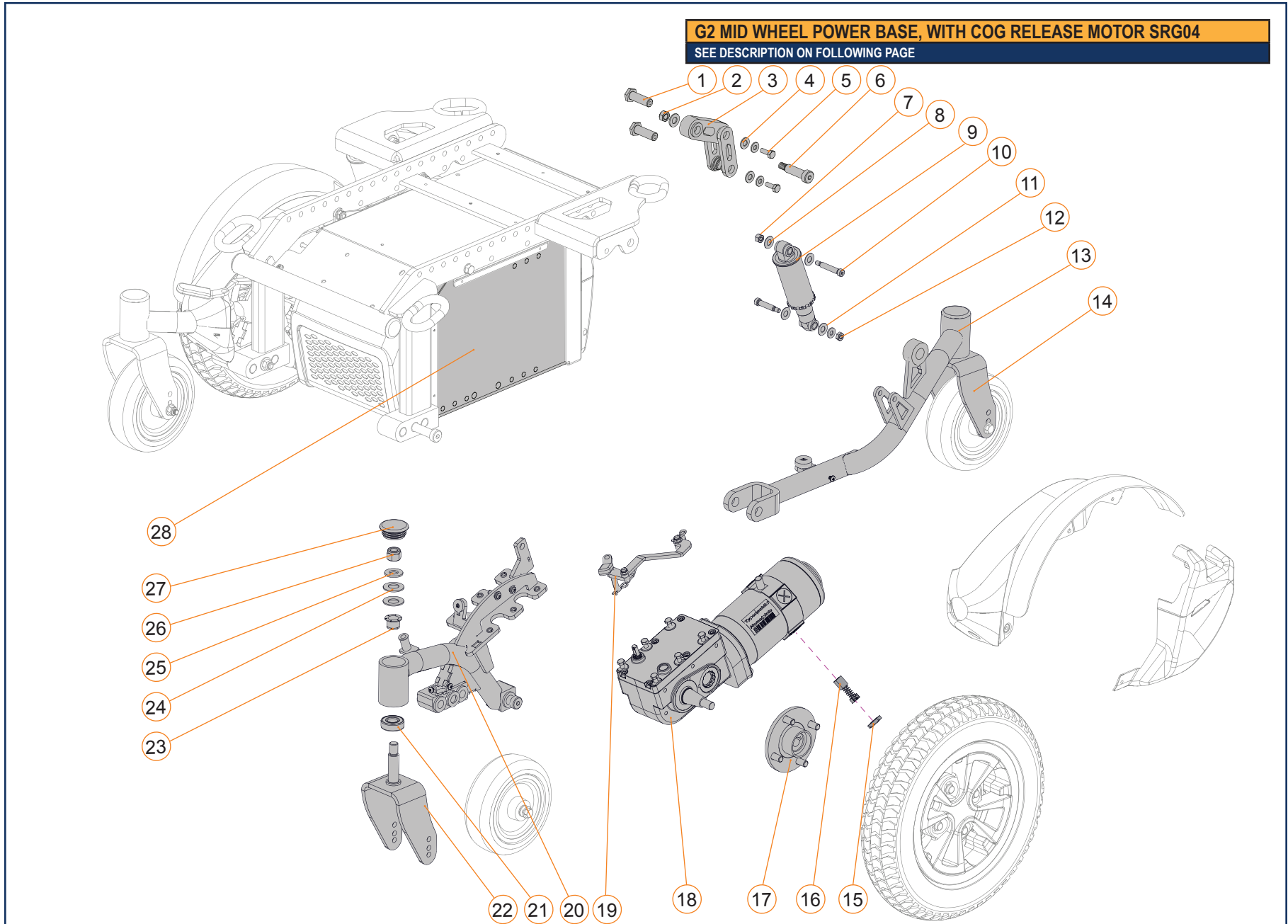
G2 HYBRID WHEEL POWER BASE, BRAKE RELEASE MOTOR LINIX			
ITEM #	PART #	DESCRIPTION	EFFECTIVE
1-4	1004391	LINK KIT, HYBRID	2023-01-01
5-11	S-0050	KIT, SHOCK ASS'Y, 200 LB*IN, SOFT	2015-08-01
12A	S-0062-XXX*	REAR LH REAR WHEEL SUSPENSION ARM	2017-07-13
12B	S-0061-XXX*	REAR RH REAR WHEEL SUSPENSION ARM	2017-07-13
13	A10193	6 IN CASTER FORK FOR HWD	2015-08-01
14A	S-0013	STANDARD DRIVE WHEEL HUB KIT	2015-08-01
14B	S-0031	14 IN X 4 IN DRIVE WHEEL HUB KIT	2015-08-01
14A, 15A	1005973	4-POLE MOTOR LINIX 6.5MPH, H-LH_M-RH, ENCO	2026-04-21
14A, 15B	1005974	4-POLE MOTOR LINIX 6.5MPH, H-RH_M-LH, ENCO	2026-04-21
14B, 15A	1005975	4-POLE LINIX 6.5MPH, H-LH_M-RH, 14X4, ENCO	2026-04-21
14B, 15B	1005976	4-POLE LINIX 6.5MPH, H-RH_M-LH, 14X4, ENCO	2026-04-21
16A	A10244	8 IN CASTER FORK FOR HWD	2015-08-01
16B	A10245	9 IN CASTER FORK FOR HWD	2015-08-01
17, 19-23	S-0035	BUSHING KIT FOR CASTER FORKS	2015-08-01
18A	S-0058-XXX*	FRONT LH HWD FLARED SUSPENSION ARM	2019-11-20
18B	S-0057-XXX*	FRONT RH HWD FLARED SUSPENSION ARM	2019-11-20
18C	S-0060-XXX*	FRONT LH HWD STRAIGHT SUSPENSION ARM	2019-11-20
18D	S-0059-XXX*	FRONT RH HWD STRAIGHT SUSPENSION ARM	2019-11-20
23	K00058	CASTER FORK HUB DUST COVER	2017-03-01
24	S-0044	KIT FOR G2 COMPACT GP22 BATTERY COMPARTEMENT	2015-08-01
NOT SHOWN	S-0034	SERVICE KIT FOR PIVOT POINTS, HWD	2015-11-25

*COLOR CODES (ADD SUFFIX TO CONFIRM REQUIRED COLOR (EX: S-XXXX-BAO))	
CODES	DESCRIPTION
PRISMA	BLACK PRISMACOLOR FRAME COLOR
BAO	BLACK OPAL METALLIC FRAME COLOR
BOR	BURNT ORANGE METALLIC FRAME COLOR
CBU	CANDY BLUE FRAME COLOR
CRE	CANDY RED FRAME COLOR
GMC	GUN METAL FRAME COLOR
MLP	MIDNIGHT PURPLE FRAME COLOR
MWT	MATTE WHITE FRAME COLOR
BLK	BLACK (GLOSS) FRAME COLOR
MYG	MILITARY GREEN FRAME COLOR
MYT	MILITARY TAN FRAME COLOR
OPM	SPARKLE ORANGE FRAME COLOR
PKP	PEARL PINK FRAME COLOR
RZB	RAZZLEBERRY FRAME COLOR
SBM	MATTE BLACK FRAME COLOR
SVM	SILVER METALLIC FRAME COLOR

**G1 MID WHEEL POWER BASE, WITH COG RELEASE MOTOR SRG04**  
 SEE DESCRIPTION ON FOLLOWING PAGE

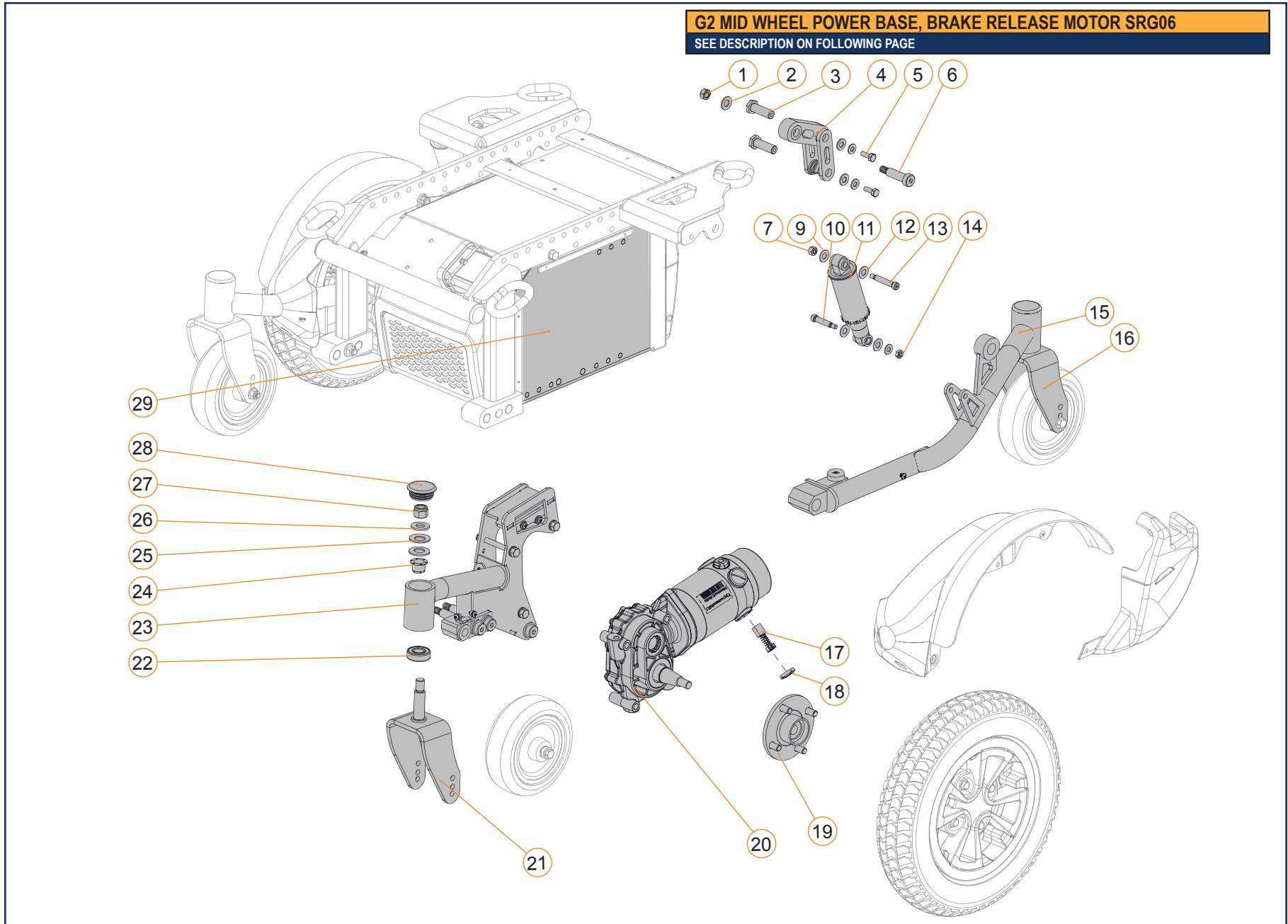


G1 MID WHEEL POWER BASE, WITH COG RELEASE MOTOR SRG04			
ITEM #	PART #	DESCRIPTION	PRIOR TO
1-8	C-10223	KIT, SHOCK ASS'Y, 200 LB*IN, SOFT, MWD	2015-08-01
9A	C-10177	REAR G1 MWD SUSPENSION ARM LH	2015-08-01
9B	C-10175	REAR G1 MWD SUSPENSION ARM RH	2015-08-01
10	A10193	6 IN AND 8 IN CASTER FORK FOR MWD	2015-08-01
11	J00024	GRAY 6 IN X 2 IN SOLID CASTER WHEEL	2015-08-01
12A, 13A, 18A	C-10295	12 IN AND 14 IN DRIVE WHEEL RIM ASSEMBLY	2015-08-01
12B, 13B, 18B	C-10228	14 IN X 4 IN DRIVE WHEEL RIM ASSEMBLY	2015-08-01
12A, 13A, 15B, 17E, 18A	C-10229	ASSEMBLY, 14 X 3 WHEEL, PNEUMATIC GRAY	2015-08-01
12A, 13A, 17F, 18A	C-10230	ASSEMBLY, 14 X 3 WHEEL, FOAM FILLED GRAYT	2015-08-01
15A	GP-384736	12 IN X 2 IN DRIVE WHEEL INNER PNEUMATIC TUBE	2015-08-01
15B	GP-384739	14 IN X 3 IN DRIVE WHEEL INNER PNEUMATIC TUBE	2015-08-01
15C	J00029	14 IN X 4 IN DRIVE WHEEL INNER PNEUMATIC TUBE	2015-08-01
16	GP-200135	CONICAL LUG NUTS	2015-08-01
17A	GP-384706	GRAY 12 IN X 2 IN PNEUMATIC KNOBBY DRIVE TIRE	2015-08-01
17B	J00057	GRAY 12 IN X 2 IN FOAM FILLED KNOBBY DRIVE TIRE	2015-08-01
17E	GP-384709	GRAY 14 IN X 3 IN PNEUMATIC KNOBBY DRIVE TIRE	2015-08-01
17F	GP-5808003	GRAY 14 IN X 3 IN FOAM FILLED KNOBBY DRIVE TIRE	2015-08-01
17I	J00028	GRAY 14 IN X 4 IN PNEUMATIC KNOBBY DRIVE TIRE	2015-08-01
17J	J00030	GRAY 14 IN X 4 IN FOAM FILLED KNOBBY DRIVE TIRE	2015-08-01
19	S-0097	DRIVE WHEEL FENDER INSTALLATION KIT, PAIR	2015-08-01
20, 21	S-0006	BRUSH KIT FOR 4 POLE MOTORS	2015-08-01
20, 21, 23A, 24A	R00038	5.9/6.5 MPH STANDARD DRIVE MOTOR FOR MWD LH	2015-08-01
20, 21, 23A, 24B	R00037	5.9/6.5 MPH STANDARD DRIVE MOTOR FOR MWD RH	2015-08-01
22A	C-1093	BRAKE ROD KIT FOR G1 MWD LH	2015-08-01
22B	C-1095	BRAKE ROD KIT FOR G1 MWD RH	2015-08-01
23A	S-0013	STANDARD DRIVE WHEEL HUB KIT	2015-08-01
23B	S-0031	14 IN X 4 IN DRIVE WHEEL HUB KIT	2015-08-01
25	A10193	6 IN AND 8 IN CASTER FORK FOR MWD	2015-08-01
26, 27, 28	S-0064	6 IN AND 8 IN CASTER AXLE KIT	2015-08-01
29A	J00024	GRAY 6 IN X 2 IN SOLID CASTER WHEEL	2015-08-01
29C	GP-400700	GRAY 8 IN X 2 IN PNEUMATIC CASTER WHEEL	2015-08-01
29E	GP-400702	GRAY 8 IN X 2 IN FOAM FILLED CASTER WHEEL	2015-08-01
30, 32-34, 37, 38	S-0035	BUSHING KIT FOR CASTER FORKS	2015-08-01
31A	C-10171	FRONT MWD SUSPENSION ARM LH	2015-08-01
31B	C-10173	FRONT MWD SUSPENSION ARM RH	2015-08-01
35A, 36A	C-10121	KIT FOR G1 COMPACT GP22 BATTERY COMPARTEMENT	2015-08-01
35B, 36B	C-10201	KIT FOR G1 COMPACT GP24 BATTERY COMPARTEMENT	2015-08-01
35C, 36C	C-10115	KIT FOR G1 FULL GP24 BATTERY COMPARTEMENT	2015-08-01
36A	C-1086	FRONT MODULE COVER, COMPACT GP22 BATTERIES	2015-08-01
36B	C-10198	FRONT MODULE COVER, COMPACT GP24 BATTERIES	2015-08-01
36C	C-1085	FRONT MODULE COVER, FULL SIZE GP24 BATTERIES	2015-08-01
38	K00058	CASTER FORK HUB DUST COVER	2015-08-01
NOT SHOWN	S-0017	SERVICE KIT FOR PIVOT POINTS, MWD	2015-08-01
NOT SHOWN	S-0063	HARDWARE KIT FOR DRIVE MOTOR	2015-08-01



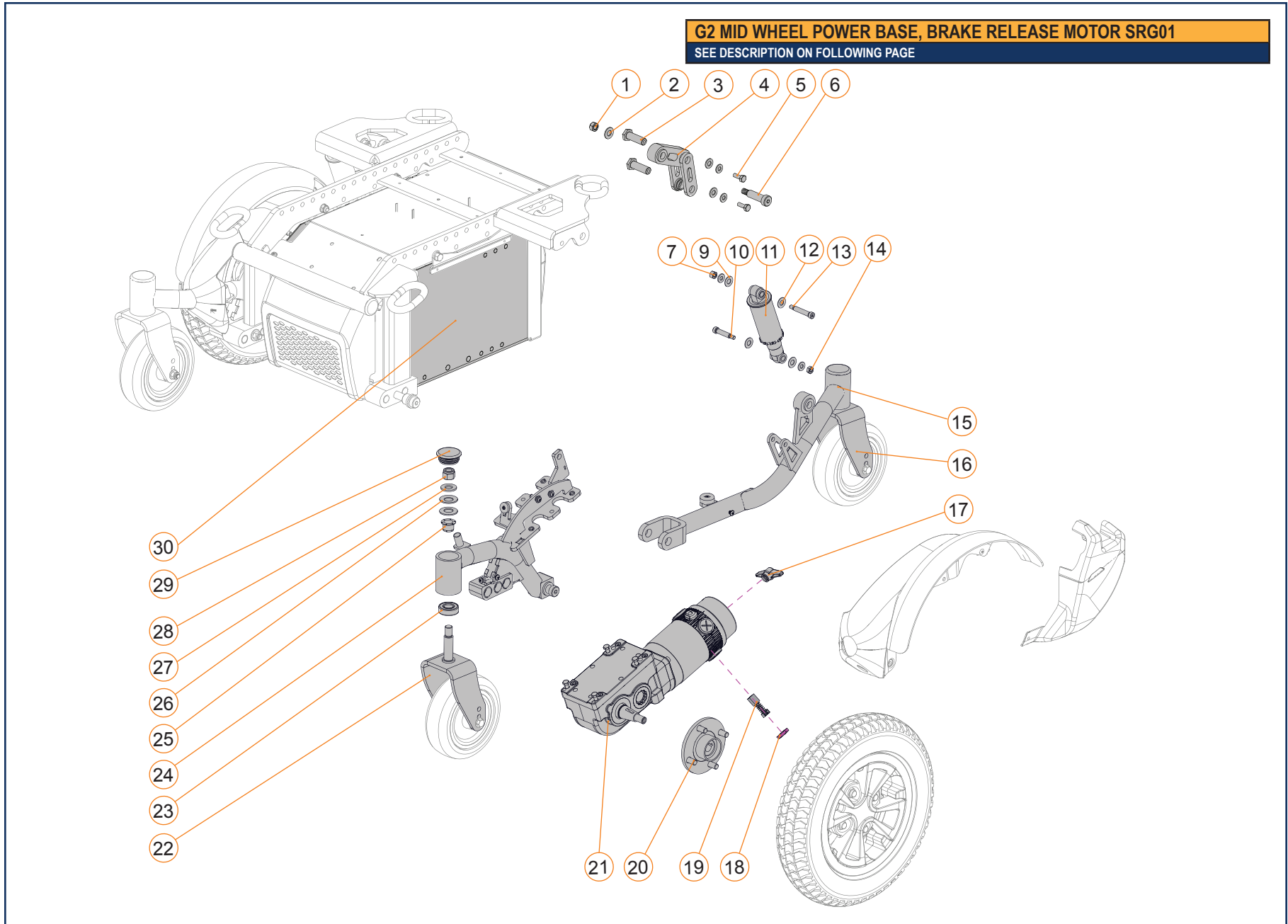
G2 MID WHEEL POWER BASE, WITH COG RELEASE MOTOR SRG04			
ITEM #	PART #	DESCRIPTION	EFFECTIVE
1-6	1004390	LINK KIT, MID	2023-01-01
7-12	S-0050	KIT, SHOCK ASS'Y, 200 LB*IN, SOFT	2015-08-01
13A	S-0056-XXX*	REAR G2 MWD SUSPENSION ARM LH	2015-08-01
13B	S-0055-XXX*	REAR G2 MWD SUSPENSION ARM RH	2015-08-01
14	A10193	6 IN AND 8 IN CASTER FORK FOR MWD	2015-02-26
15, 16	S-0006	BRUSH KIT FOR 4 POLE MOTORS	2011-01-17
15, 16, 17A, 18A	R00038	5.9/6.5 MPH STANDARD DRIVE MOTOR FOR MWD LH	2008-04-30
15, 16, 17A, 18B	R00037	5.9/6.5 MPH STANDARD DRIVE MOTOR FOR MWD RH	2008-04-30
17A	S-0013	STANDARD DRIVE WHEEL HUB KIT	2019-02-14
17B	S-0031	14 IN X 4 IN DRIVE WHEEL HUB KIT	2019-02-14
19A	S-0047	BRAKE ROD KIT FOR G2 MWD LH	2017-07-13
19B	S-0046	BRAKE ROD KIT FOR G2 MWD RH	2017-07-13
20A	S-0054-XXX*	FRONT G2 MWD SUSPENSION ARM LH	2015-08-01
20B	S-0053-XXX*	FRONT G2 MWD SUSPENSION ARM RH	2015-08-01
21, 23-27	S-0035	BUSHING KIT FOR CASTER FORKS	2015-12-30
22	A10193	6 IN AND 8 IN CASTER FORK FOR MWD	2015-02-26
27	K00058	CASTER FORK HUB DUST COVER	2016-11-16
28A	S-0044	KIT FOR G2 COMPACT GP22 BATTERY COMPARTEMENT	2015-08-01
28B	S-0079	KIT FOR G2 COMPACT GP24 BATTERY COMPARTEMENT	2015-08-01
28C	S-0043	KIT FOR G2 FULL GP24 BATTERY COMPARTEMENT	2015-08-01
28D	S-0079-SMART	KIT, G2 COMPACT GP24 BATTERY COMPARTEMENT, SMARTT	2023-10-02
NOT SHOWN	S-0033	SERVICE KIT FOR PIVOT POINTS, MWD	2012-03-21
NOT SHOWN	S-0063	HARDWARE KIT FOR DRIVE MOTOR	2008-04-30

*COLOR CODES (ADD SUFFIX TO CONFIRM REQUIRED COLOR (EX: S-XXXX-BAO))	
CODES	DESCRIPTION
PRISMA	BLACK PRISMACOLOR FRAME COLOR
BAO	BLACK OPAL METALLIC FRAME COLOR
BOR	BURNT ORANGE METALLIC FRAME COLOR
CBU	CANDY BLUE FRAME COLOR
CRE	CANDY RED FRAME COLOR
GMC	GUN METAL FRAME COLOR
MLP	MIDNIGHT PURPLE FRAME COLOR
MWT	MATTE WHITE FRAME COLOR
BLK	BLACK (GLOSS) FRAME COLOR
MYG	MILITARY GREEN FRAME COLOR
MYT	MILITARY TAN FRAME COLOR
OPM	SPARKLE ORANGE FRAME COLOR
PKP	PEARL PINK FRAME COLOR
RZB	RAZZLEBERRY FRAME COLOR
SBM	MATTE BLACK FRAME COLOR
SVM	SILVER METALLIC FRAME COLOR



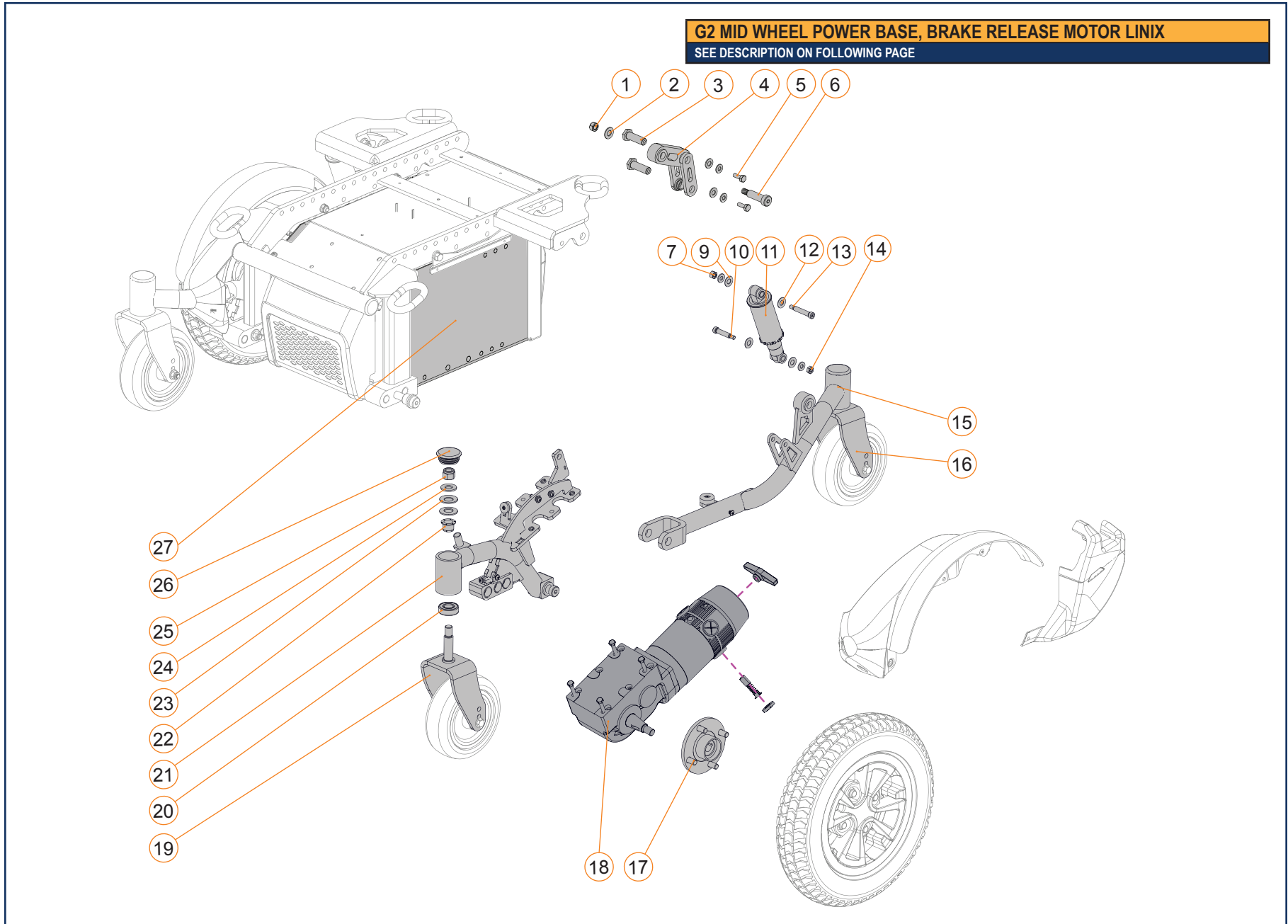
G2 MID WHEEL POWER BASE, BRAKE RELEASE MOTOR SRG06			
ITEM #	PART #	DESCRIPTION	EFFECTIVE
1-6	1004390	LINK KIT, MID	2023-01-01
7-14	S-0050	KIT, SHOCK ASS'Y, 200 LB*IN, SOFT	2015-08-01
15A	S-0069-XXX*	REAR G2 MWD SUSPENSION ARM LH	2015-08-01
15B	S-0068-XXX*	REAR G2 MWD SUSPENSION ARM RH	2015-08-01
16	A10193	6 IN AND 8 IN CASTER FORK FOR MWD	2015-02-26
17, 18	S-0006	BRUSH KIT FOR 4 POLE MOTORS	2011-01-17
17, 18, 19A, 20A	R00049	5.9/6.5 MPH STANDARD DRIVE MOTOR FOR MWD LH	2008-04-30
17, 18, 19B, 20A	R00050	5.9/6.5 MPH STANDARD DRIVE MOTOR FOR MWD RH	2008-04-30
19A	S-0013	STANDARD DRIVE WHEEL HUB KIT	2015-08-01
19B	S-0031	14 IN X 4 IN DRIVE WHEEL HUB KIT	2015-08-01
21	A10193	6 IN AND 8 IN CASTER FORK FOR MWD	2015-02-26
22, 24-28	S-0035	BUSHING KIT FOR CASTER FORKS	2015-12-30
23A	S-0067-XXX*	FRONT G2 MWD SUSPENSION ARM LH	2015-08-01
23B	S-0066-XXX*	FRONT G2 MWD SUSPENSION ARM RH	2015-08-01
28	K00058	CASTER FORK HUB DUST COVER	2015-08-01
29A	S-0044	KIT FOR G2 COMPACT GP22 BATTERY COMPARTEMENT	2015-08-01
29B	S-0079	KIT FOR G2 COMPACT GP24 BATTERY COMPARTEMENT	2015-08-01
29C	S-0043	KIT FOR G2 FULL GP24 BATTERY COMPARTEMENT	2015-08-01
NOT SHOWN	S-0076	SERVICE KIT FOR PIVOT POINTS, MWD	2012-03-21
NOT SHOWN	S-0078	HARDWARE KIT FOR DRIVE MOTOR	2008-04-30

*COLOR CODES (ADD SUFFIX TO CONFIRM REQUIRED COLOR (EX: S-XXXX-BAO))	
CODES	DESCRIPTION
PRISMA	BLACK PRISMACOLOR FRAME COLOR
BAO	BLACK OPAL METALLIC FRAME COLOR
BOR	BURNT ORANGE METALLIC FRAME COLOR
CBU	CANDY BLUE FRAME COLOR
CRE	CANDY RED FRAME COLOR
GMC	GUN METAL FRAME COLOR
MLP	MIDNIGHT PURPLE FRAME COLOR
MWT	MATTE WHITE FRAME COLOR
BLK	BLACK (GLOSS) FRAME COLOR
MYG	MILITARY GREEN FRAME COLOR
MYT	MILITARY TAN FRAME COLOR
OPM	SPARKLE ORANGE FRAME COLOR
PKP	PEARL PINK FRAME COLOR
RZB	RAZZLEBERRY FRAME COLOR
SBM	MATTE BLACK FRAME COLOR
SVM	SILVER METALLIC FRAME COLOR



G2 MID WHEEL POWER BASE, BRAKE RELEASE MOTOR SRG01			
ITEM #	PART #	DESCRIPTION	EFFECTIVE
1-6	1004390	LINK KIT, MID	2023-01-01
7-14A	S-0050	KIT, SHOCK ASS'Y, 200 LB*IN, SOFT	2015-08-01
7-14B	S-0051	KIT, SHOCK ASS'Y, 250 LB*IN, MEDIUM	2021-12-15
7-14C	S-0052	KIT, SHOCK ASS'Y, 350 LB*IN, FIRM	2021-12-15
15A	S-0056-XXX*	REAR G2 MWD SUSPENSION ARM LH	2017-07-13
15B	S-0055-XXX*	REAR G2 MWD SUSPENSION ARM RH	2017-07-13
16	A10193	6 IN AND 8 IN CASTER FORK FOR MWD	2015-02-26
17	1004418	BRAKE LEVER, SRG-01 MOTOR	2023-03-13
18-19	1004420	BRUSH KIT WITH CAPS FOR 4 POLE MOTORS, SRG-01	2023-03-29
17-19, 20A, 21A	1002457	4 POLES DRIVE MOTOR SRG-01, 6.5 MPH, R-RH / M-LH	2021-01-04
17-19, 20A, 21B	1002458	4 POLE DRIVE MOTOR SRG-01, 6.5 MPH, R-LH / M-RH	2021-01-04
20A	S-0013	STANDARD DRIVE WHEEL HUB KIT	2015-08-01
20B	S-0031	14 IN X 4 IN DRIVE WHEEL HUB KIT	2015-08-01
22	A10193	6 IN AND 8 IN CASTER FORK FOR MWD	2015-02-26
23, 25-29	S-0035	BUSHING KIT FOR CASTER FORKS	2015-12-30
24A	S-0054-XXX*	FRONT G2 MWD SUSPENSION ARM LH	2017-07-13
24B	S-0053-XXX*	FRONT G2 MWD SUSPENSION ARM RH	2017-07-13
29	K00058	CASTER FORK HUB DUST COVER	2015-08-01
30A	S-0044	KIT FOR G2 COMPACT GP22 BATTERY COMPARTEMENT	2015-08-01
30B	S-0079	KIT FOR G2 COMPACT GP24 BATTERY COMPARTEMENT	2015-08-01
30C	S-0043	KIT FOR G2 FULL GP24 BATTERY COMPARTEMENT	2015-08-01
30D	1003818	KIT, NARROW N2221 BATTERY COMPARTEMENT, G2	2021-12-15
NOT SHOWN	S-0033	SERVICE KIT FOR PIVOT POINTS, MWD	2015-11-17

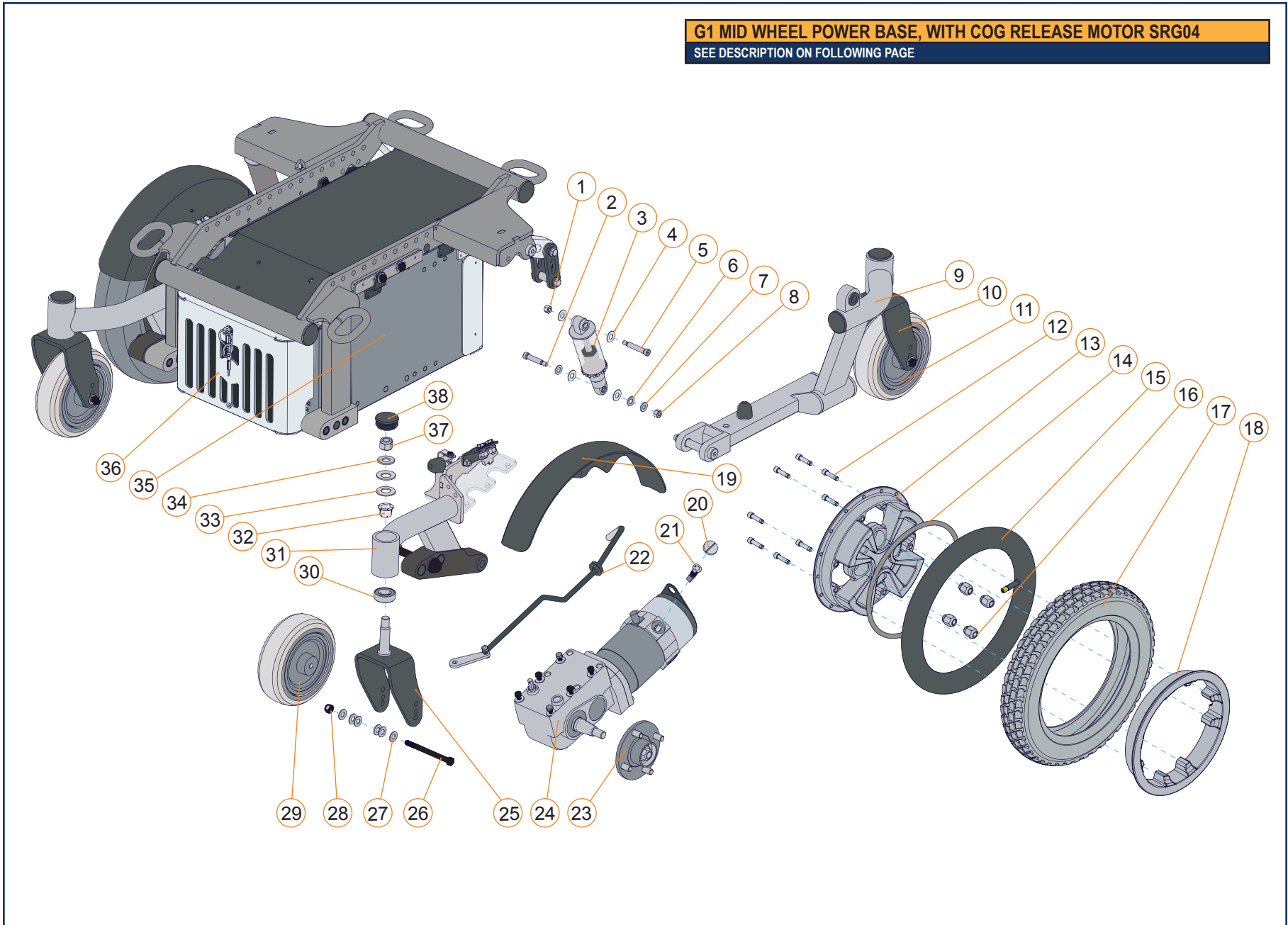
*COLOR CODES (ADD SUFFIX TO CONFIRM REQUIRED COLOR (EX: S-XXXX-BAO))	
CODES	DESCRIPTION
PRISMA	BLACK PRISMACOLOR FRAME COLOR
BAO	BLACK OPAL METALLIC FRAME COLOR
BOR	BURNT ORANGE METALLIC FRAME COLOR
CBU	CANDY BLUE FRAME COLOR
CRE	CANDY RED FRAME COLOR
GMC	GUN METAL FRAME COLOR
MLP	MIDNIGHT PURPLE FRAME COLOR
MWT	MATTE WHITE FRAME COLOR
BLK	BLACK (GLOSS) FRAME COLOR
MYG	MILITARY GREEN FRAME COLOR
MYT	MILITARY TAN FRAME COLOR
OPM	SPARKLE ORANGE FRAME COLOR
PKP	PEARL PINK FRAME COLOR
RZB	RAZZLEBERRY FRAME COLOR
SBM	MATTE BLACK FRAME COLOR
SVM	SILVER METALLIC FRAME COLOR



G2 MID WHEEL POWER BASE, BRAKE RELEASE MOTOR LINIX			
ITEM #	PART #	DESCRIPTION	EFFECTIVE
1-6	1004390	LINK KIT, MID	2023-01-01
7-14A	S-0050	KIT, SHOCK ASS'Y, 200 LB*IN, SOFT	2015-08-01
7-14B	S-0051	KIT, SHOCK ASS'Y, 250 LB*IN, MEDIUM	2021-12-15
7-14C	S-0052	KIT, SHOCK ASS'Y, 350 LB*IN, FIRM	2021-12-15
15A	S-0056-XXX*	REAR G2 MWD SUSPENSION ARM LH	2017-07-13
15B	S-0055-XXX*	REAR G2 MWD SUSPENSION ARM RH	2017-07-13
16	A10193	6 IN AND 8 IN CASTER FORK FOR MWD	2015-02-26
17A, 18A	1005973	4-POLE MOTOR LINIX 6.5MPH, H-LH_M-RH, ENCO	2026-04-21
17A, 18B	1005974	4-POLE MOTOR LINIX 6.5MPH, H-RH_M-LH, ENCO	2026-04-21
17B, 18A	1005975	4-POLE LINIX 6.5MPH, H-LH_M-RH, 14X4, ENCO	2026-04-21
17B, 18B	1005976	4-POLE LINIX 6.5MPH, H-RH_M-LH, 14X4, ENCO	2026-04-21
17A	S-0013	STANDARD DRIVE WHEEL HUB KIT	2015-08-01
17B	S-0031	14 IN X 4 IN DRIVE WHEEL HUB KIT	2015-08-01
19	A10193	6 IN AND 8 IN CASTER FORK FOR MWD	2015-02-26
20, 22-26	S-0035	BUSHING KIT FOR CASTER FORKS	2015-12-30
21A	S-0054-XXX*	FRONT G2 MWD SUSPENSION ARM LH	2017-07-13
21B	S-0053-XXX*	FRONT G2 MWD SUSPENSION ARM RH	2017-07-13
26	K00058	CASTER FORK HUB DUST COVER	2015-08-01
27A	S-0044	KIT FOR G2 COMPACT GP22 BATTERY COMPARTEMENT	2015-08-01
27B	S-0079	KIT FOR G2 COMPACT GP24 BATTERY COMPARTEMENT	2015-08-01
27C	S-0043	KIT FOR G2 FULL GP24 BATTERY COMPARTEMENT	2015-08-01
27D	1003818	KIT, NARROW N2221 BATTERY COMPARTEMENT, G2	2021-12-15
NOT SHOWN	S-0033	SERVICE KIT FOR PIVOT POINTS, MWD	2015-11-17

*COLOR CODES (ADD SUFFIX TO CONFIRM REQUIRED COLOR (EX: S-XXXX-BAO))	
CODES	DESCRIPTION
PRISMA	BLACK PRISMACOLOR FRAME COLOR
BAO	BLACK OPAL METALLIC FRAME COLOR
BOR	BURNT ORANGE METALLIC FRAME COLOR
CBU	CANDY BLUE FRAME COLOR
CRE	CANDY RED FRAME COLOR
GMC	GUN METAL FRAME COLOR
MLP	MIDNIGHT PURPLE FRAME COLOR
MWT	MATTE WHITE FRAME COLOR
BLK	BLACK (GLOSS) FRAME COLOR
MYG	MILITARY GREEN FRAME COLOR
MYT	MILITARY TAN FRAME COLOR
OPM	SPARKLE ORANGE FRAME COLOR
PKP	PEARL PINK FRAME COLOR
RZB	RAZZLEBERRY FRAME COLOR
SBM	MATTE BLACK FRAME COLOR
SVM	SILVER METALLIC FRAME COLOR

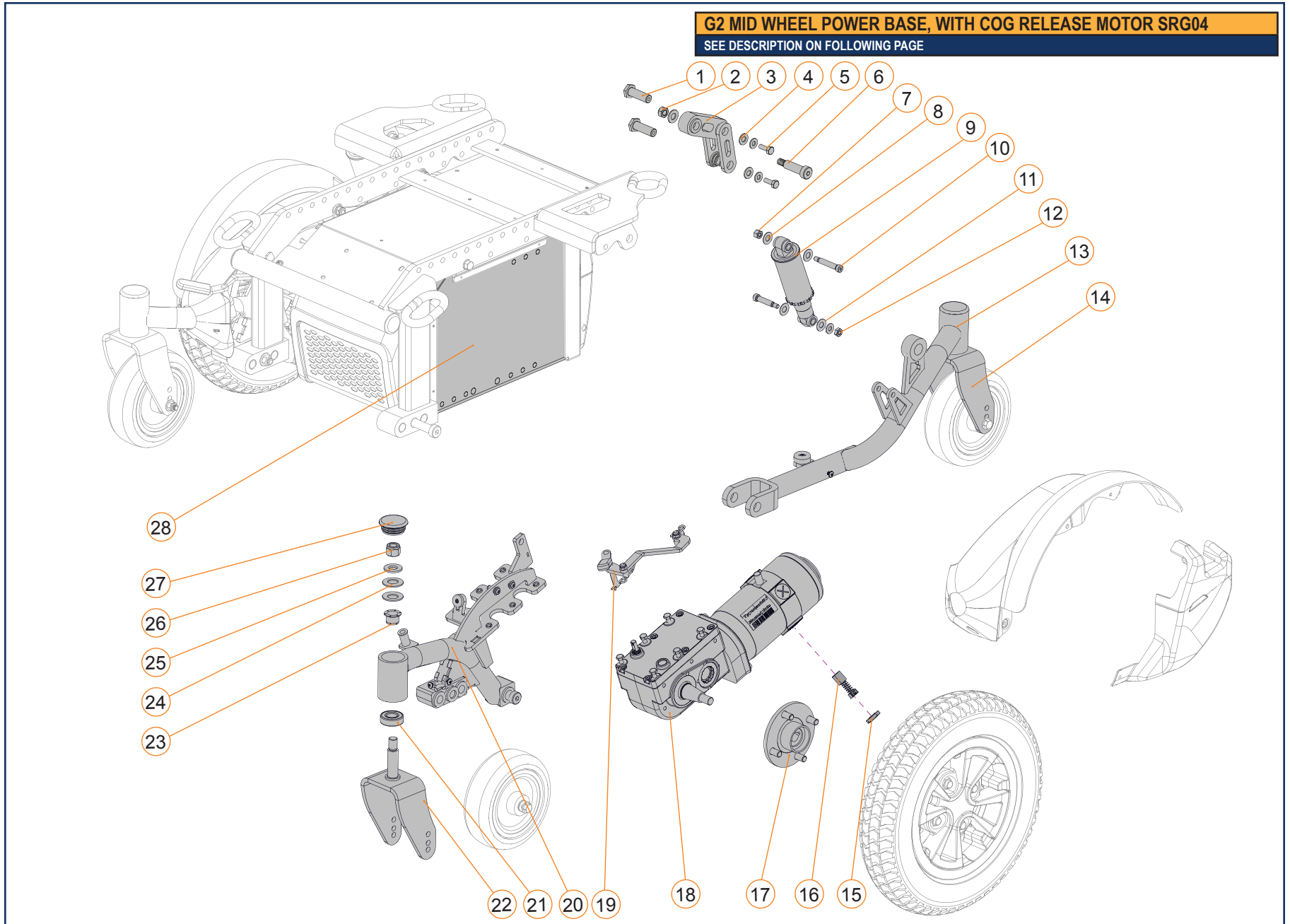
**G1 MID WHEEL POWER BASE, WITH COG RELEASE MOTOR SRG04**  
 SEE DESCRIPTION ON FOLLOWING PAGE



**G1 MID WHEEL POWER BASE, WITH COG RELEASE MOTOR SRG04**

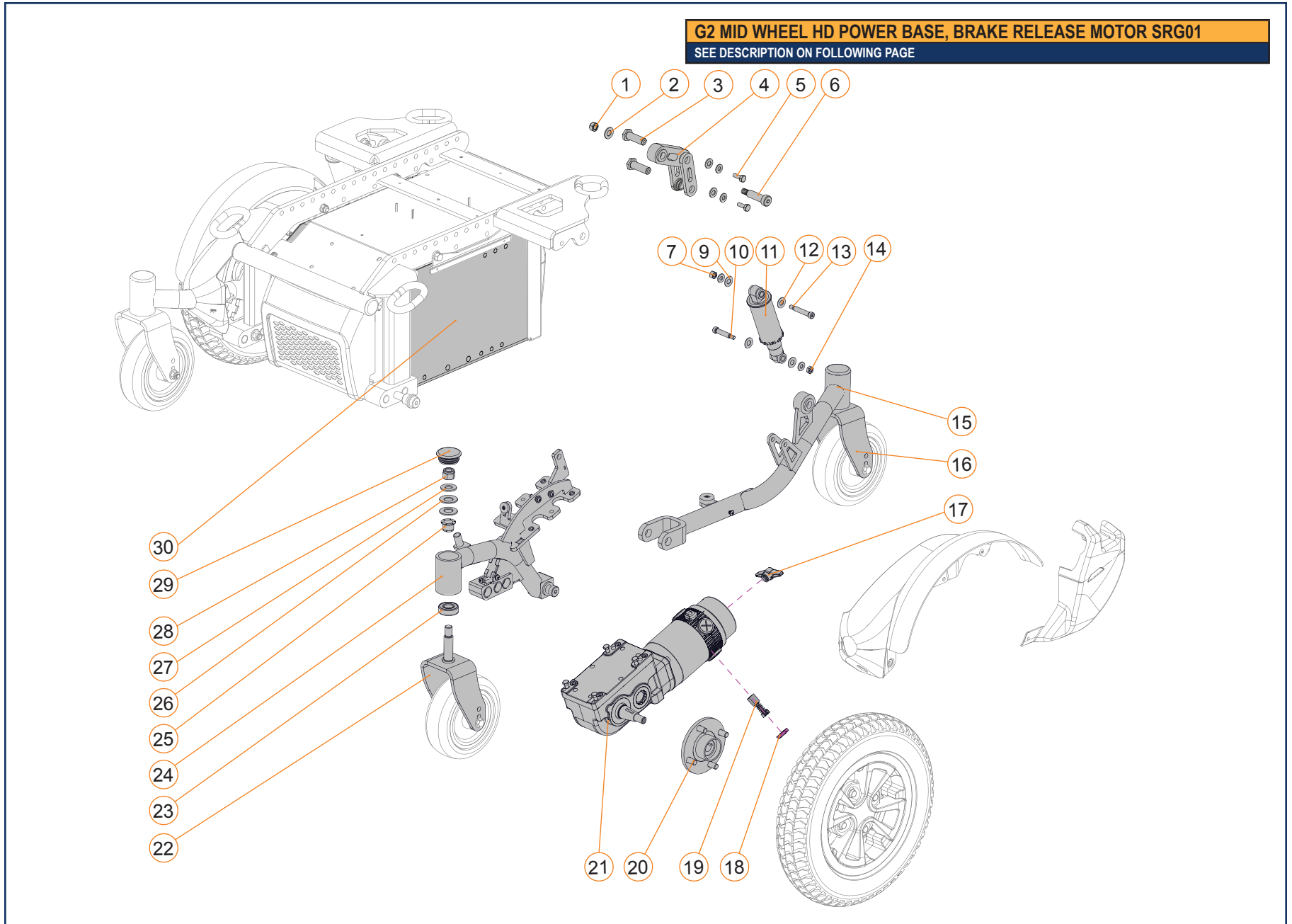
ITEM #	PART #	DESCRIPTION	PRIOR TO
1-8	C-10225	KIT, SHOCK ASS'Y, 250 LB*IN, MEDIUM, MWD	2015-08-01
9A	C-10177	REAR G1 MWD SUSPENSION ARM LH	2015-08-01
9B	C-10175	REAR G1 MWD SUSPENSION ARM RH	2015-08-01
10	A10193	6 IN AND 8 IN CASTER FORK FOR MWD	2015-08-01
11	J00024	GRAY 6 IN X 2 IN SOLID CASTER WHEEL	2015-08-01
12A, 13A, 18A	C-10295	12 IN AND 14 IN DRIVE WHEEL RIM ASSEMBLY	2015-08-01
12B, 13B, 18B	C-10228	14 IN X 4 IN DRIVE WHEEL RIM ASSEMBLY	2015-08-01
12A, 13A, 15B, 17E, 18A	C-10229	ASSEMBLY, 14 X 3 WHEEL, PNEUMATIC	2015-08-01
12A, 13A, 17F, 18A	C-10230	ASSEMBLY, 14 X 3 WHEEL, FOAM FILLED	2015-08-01
15A	GP-384736	12 IN X 2 IN DRIVE WHEEL INNER PNEUMATIC TUBE	2015-08-01
15B	GP-384739	14 IN X 3 IN DRIVE WHEEL INNER PNEUMATIC TUBE	2015-08-01
15C	J00029	14 IN X 4 IN DRIVE WHEEL INNER PNEUMATIC TUBE	2015-08-01
16	GP-200135	CONICAL LUG NUT	2015-08-01
17A	GP-384706	GRAY 12 IN X 2 IN PNEUMATIC KNOBBY DRIVE TIRE	2015-08-01
17B	J00057	GRAY 12 IN X 2 IN FOAM FILLED KNOBBY DRIVE TIRE	2015-08-01
17E	GP-384709	GRAY 14 IN X 3 IN PNEUMATIC KNOBBY DRIVE TIRE	2015-08-01
17F	GP-5808003	GRAY 14 IN X 3 IN FOAM FILLED KNOBBY DRIVE TIRE	2015-08-01
17I	J00028	GRAY 14 IN X 4 IN PNEUMATIC KNOBBY DRIVE TIRE	2015-08-01
17J	J00030	GRAY 14 IN X 4 IN FOAM FILLED KNOBBY DRIVE TIRE	2015-08-01
19	S-0097	DRIVE WHEEL FENDER INSTALLATION KIT, PAIR	2015-08-01

ITEM #	PART #	DESCRIPTION	PRIOR TO
20, 21	S-0006	BRUSH KIT FOR 4 POLE MOTORS	2015-08-01
20, 21, 23A, 24A	R00038	5.9/6.5 MPH STANDARD DRIVE MOTOR FOR MWD LH	2015-08-01
20, 21, 23A, 24B	R00037	5.9/6.5 MPH STANDARD DRIVE MOTOR FOR MWD RH	2015-08-01
20, 21, 23A, 24C	R00044	5.4 MPH HEAVY DUTY DRIVE MOTOR FOR MWD LH	2015-08-01
20, 21, 23A, 24D	R00043	5.4 MPH HEAVY DUTY DRIVE MOTOR FOR MWD RH	2015-08-01
22A	C-1093	BRAKE ROD KIT FOR G1 MWD LH	2015-08-01
22B	C-1095	BRAKE ROD KIT FOR G1 MWD RH	2015-08-01
23A	S-0013	STANDARD DRIVE WHEEL HUB KIT	2015-08-01
23B	S-0031	14 IN X 4 IN DRIVE WHEEL HUB KIT	2015-08-01
25	A10193	6 IN AND 8 IN CASTER FORK FOR MWD	2015-08-01
26, 27, 28	S-0064	6 IN AND 8 IN CASTER AXLE KIT	2015-08-01
29A	J00024	GRAY 6 IN X 2 IN SOLID CASTER WHEEL	2015-08-01
29C	GP-400700	GRAY 8 IN X 2 IN PNEUMATIC CASTER WHEEL	2015-08-01
29E	GP-400702	GRAY 8 IN X 2 IN FOAM FILLED CASTER WHEEL	2015-08-01
30, 32-34, 37, 38	S-0035	BUSHING KIT FOR CASTER FORKS	2015-08-01
31A	C-10171	FRONT MWD SUSPENSION ARM LH	2015-08-01
31B	C-10173	FRONT MWD SUSPENSION ARM RH	2015-08-01
35, 36	C-10115	KIT FOR G1 FULL GP24 BATTERY COMPARTMENT	2015-08-01
36	C-1085	FRONT MODULE COVER, FULL SIZE GP24 BATTERIES	2015-08-01
38	K00058	CASTER FORK HUB DUST COVER	2015-08-01
NOT SHOWN	S-0017	SERVICE KIT FOR PIVOT POINTS, MWD	2015-08-01
NOT SHOWN	S-0063	HARDWARE KIT FOR DRIVE MOTOR	2015-08-01



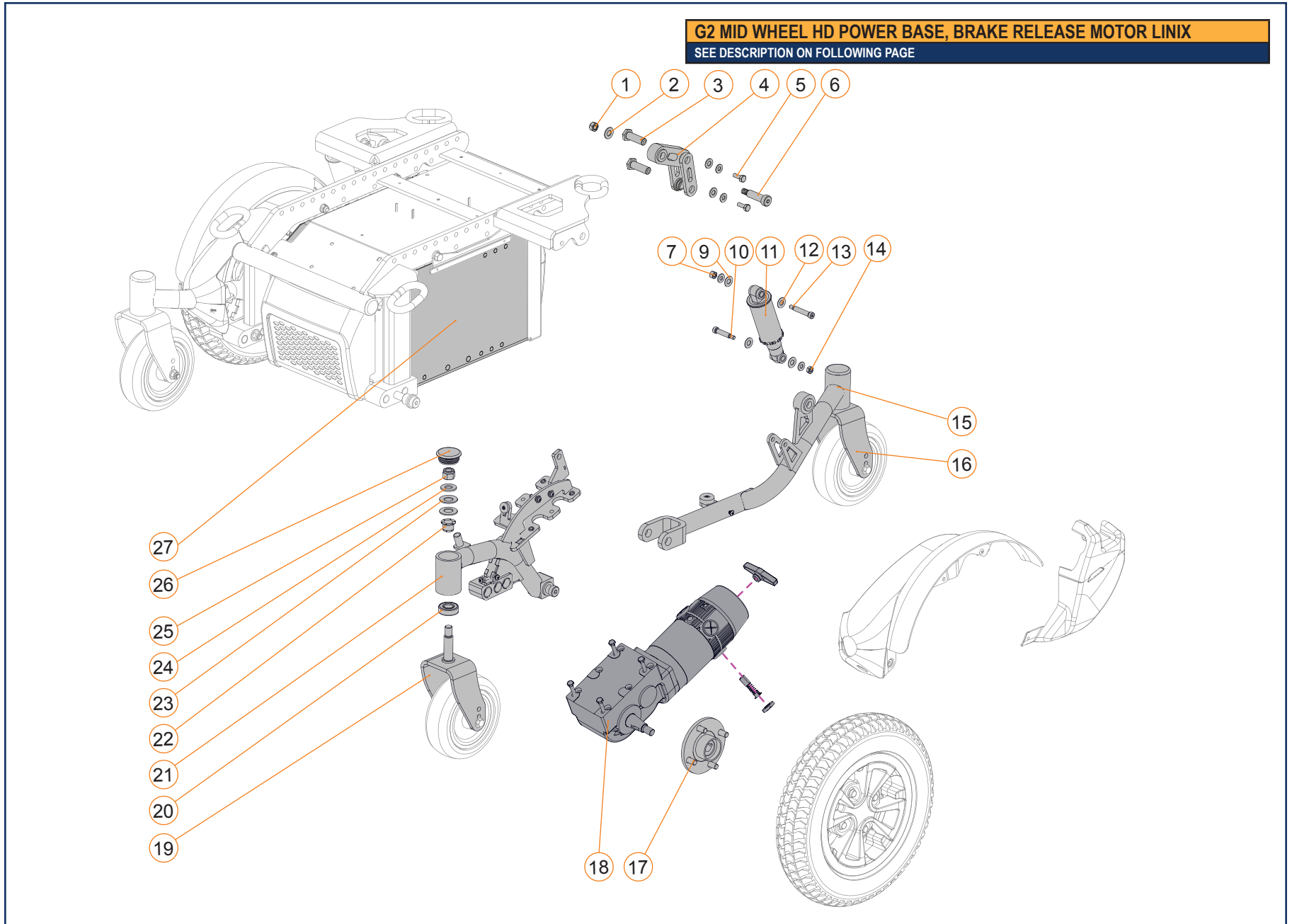
G2 MID WHEEL POWER BASE, WITH COG RELEASE MOTOR SRG04			
ITEM #	PART #	DESCRIPTION	EFFECTIVE
1-6	1004390	LINK KIT, MID	2023-01-01
7-12	S-0051	KIT, SHOCK ASS'Y, 250 LB*IN, MEDIUM	2015-08-01
13A	S-0056-XXX*	REAR G2 MWD SUSPENSION ARM LH	2015-08-01
13B	S-0055-XXX*	REAR G2 MWD SUSPENSION ARM RH	2015-08-01
14	A10193	6 IN AND 8 IN CASTER FORK FOR MWD	2015-02-26
15, 16	S-0006	BRUSH KIT FOR 4 POLE MOTORS	2011-01-17
15, 16, 17A, 18A	R00038	5.9/6.5 MPH STANDARD DRIVE MOTOR FOR MWD LH	2008-04-30
15, 16, 17A, 18B	R00037	5.9/6.5 MPH STANDARD DRIVE MOTOR FOR MWD RH	2008-04-30
15, 16, 17A, 18C	R00044	5.4 MPH HEAVY DUTY DRIVE MOTOR FOR MWD LH	2008-04-30
15, 16, 17A, 18D	R00043	5.4 MPH HEAVY DUTY DRIVE MOTOR FOR MWD RH	2008-04-30
17A	S-0013	STANDARD DRIVE WHEEL HUB KIT	2015-08-01
17B	S-0031	14 IN X 4 IN DRIVE WHEEL HUB KIT	2015-08-01
19A	S-0047	BRAKE ROD KIT FOR G2 MWD LH	2015-08-01
19B	S-0046	BRAKE ROD KIT FOR G2 MWD RH	2015-08-01
20A	S-0054-XXX*	FRONT G2 MWD SUSPENSION ARM LH	2015-08-01
20B	S-0053-XXX*	FRONT G2 MWD SUSPENSION ARM RH	2015-08-01
21, 23-27	S-0035	BUSHING KIT FOR CASTER FORKS	2015-12-30
22	A10193	6 IN AND 8 IN CASTER FORK FOR MWD	2015-02-26
27	K00058	CASTER FORK HUB DUST COVER	2015-08-01
28	S-0043	KIT FOR G2 FULL GP24 BATTERY COMPARTMENT	2015-08-01
NOT SHOWN	S-0033	SERVICE KIT FOR PIVOT POINTS, MWD	2012-03-21
NOT SHOWN	S-0063	HARDWARE KIT FOR DRIVE MOTOR	2008-04-30

*COLOR CODES (ADD SUFFIX TO CONFIRM REQUIRED COLOR (EX: S-XXXX-BAO))	
CODES	DESCRIPTION
PRISMA	BLACK PRISMACOLOR FRAME COLOR
BAO	BLACK OPAL METALLIC FRAME COLOR
BOR	BURNT ORANGE METALLIC FRAME COLOR
CBU	CANDY BLUE FRAME COLOR
CRE	CANDY RED FRAME COLOR
GMC	GUN METAL FRAME COLOR
MLP	MIDNIGHT PURPLE FRAME COLOR
MWT	MATTE WHITE FRAME COLOR
BLK	BLACK (GLOSS) FRAME COLOR
MYG	MILITARY GREEN FRAME COLOR
MYT	MILITARY TAN FRAME COLOR
OPM	SPARKLE ORANGE FRAME COLOR
PKP	PEARL PINK FRAME COLOR
RZB	RAZZLEBERRY FRAME COLOR
SBM	MATTE BLACK FRAME COLOR
SVM	SILVER METALLIC FRAME COLOR



G2 MID WHEEL HD POWER BASE, BRAKE RELEASE MOTOR SRG01			
ITEM #	PART #	DESCRIPTION	EFFECTIVE
1-6	1004390	LINK KIT, MID	2023-01-01
7-14	S-0051	KIT, SHOCK ASS'Y, 250 LB*IN, MEDIUM	2017-07-13
15A	S-0056-XXX*	REAR G2 MWD SUSPENSION ARM LH	2017-07-13
15B	S-0055-XXX*	REAR G2 MWD SUSPENSION ARM RH	2017-07-13
16	A10193	6 IN AND 8 IN CASTER FORK FOR MWD	2015-02-26
17	1004418	BRAKE LEVER, SRG-01 MOTOR	2023-03-13
18-19	1004420	BRUSH KIT WITH CAPS FOR 4 POLE MOTORS, SRG-01	2023-03-29
17-19, 20A, 21A	1002457	4 POLES DRIVE MOTOR SRG-01, 6.5 MPH, R-RH / M-LH	2021-01-04
17-19, 20A, 21B	1002458	4 POLE DRIVE MOTOR SRG-01, 6.5 MPH, R-LH / M-RH	2021-01-04
17-19, 20A, 21C	1002459	4 POLE DRIVE MOTOR SRG-01, 5.4 MPH, R-RH / M-LH	2021-01-04
17-19, 20A, 21D	1002460	4 POLE DRIVE MOTOR SRG-01, 5.4 MPH, R-LH / M-RH	2021-01-04
20A	S-0013	STANDARD DRIVE WHEEL HUB KIT	2015-08-01
20B	S-0031	14 IN X 4 IN DRIVE WHEEL HUB KIT	2015-08-01
22	A10193	6 IN AND 8 IN CASTER FORK FOR MWD	2015-02-26
23, 25-29	S-0035	BUSHING KIT FOR CASTER FORKS	2015-12-30
24A	S-0054-XXX*	FRONT G2 MWD SUSPENSION ARM LH	2019-11-20
24B	S-0053-XXX*	FRONT G2 MWD SUSPENSION ARM RH	2019-11-20
29	K00058	CASTER FORK HUB DUST COVER	2015-08-01
30	S-0043	KIT FOR G2 FULL GP24 BATTERY COMPARTMENT	2015-08-01
NOT SHOWN	S-0033	SERVICE KIT FOR PIVOT POINTS, MWD	2015-11-17

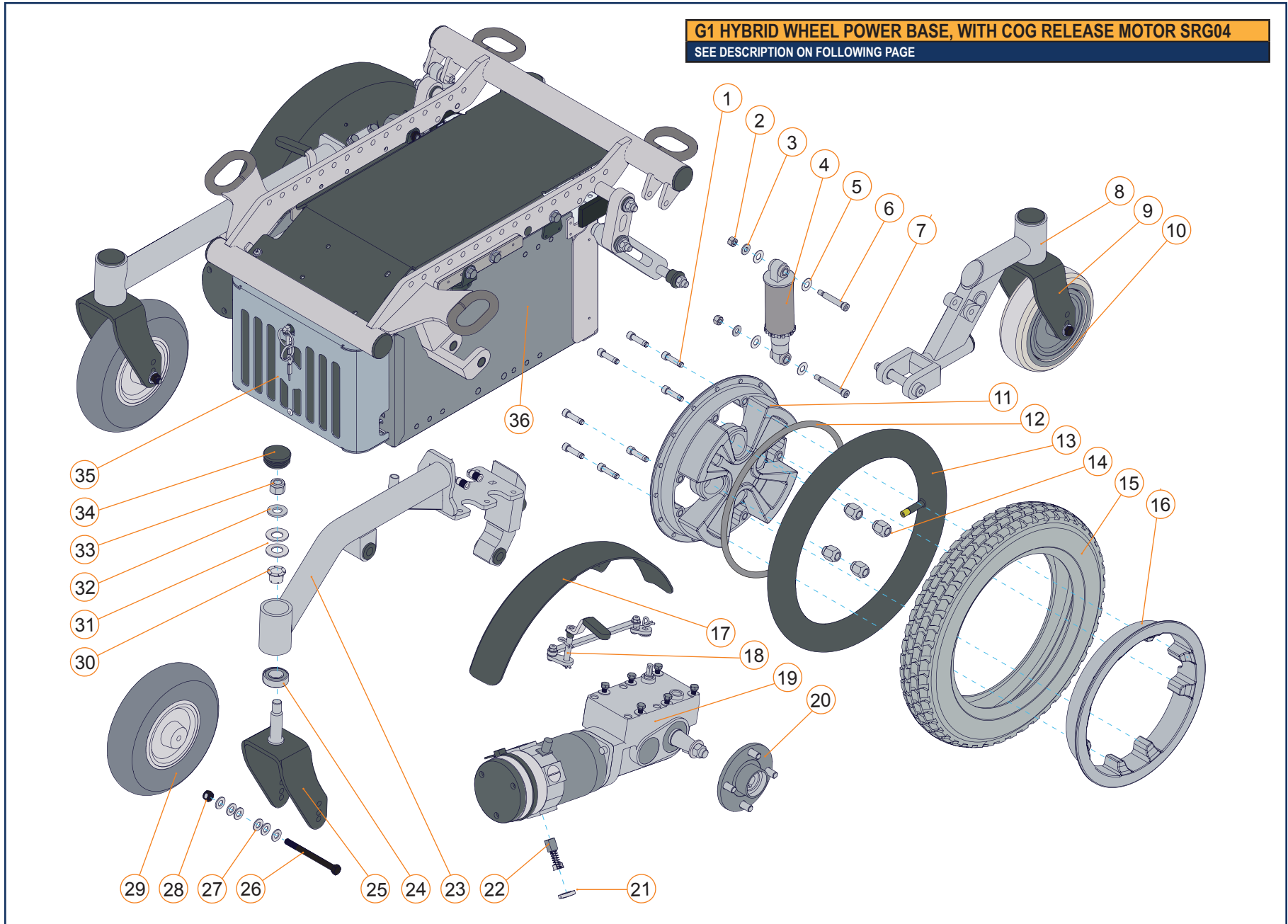
*COLOR CODES (ADD SUFFIX TO CONFIRM REQUIRED COLOR (EX: S-XXXX-BAO))	
CODES	DESCRIPTION
PRISMA	BLACK PRISMACOLOR FRAME COLOR
BAO	BLACK OPAL METALLIC FRAME COLOR
BOR	BURNT ORANGE METALLIC FRAME COLOR
CBU	CANDY BLUE FRAME COLOR
CRE	CANDY RED FRAME COLOR
GMC	GUN METAL FRAME COLOR
MLP	MIDNIGHT PURPLE FRAME COLOR
MWT	MATTE WHITE FRAME COLOR
BLK	BLACK (GLOSS) FRAME COLOR
MYG	MILITARY GREEN FRAME COLOR
MYT	MILITARY TAN FRAME COLOR
OPM	SPARKLE ORANGE FRAME COLOR
PKP	PEARL PINK FRAME COLOR
RZB	RAZZLEBERRY FRAME COLOR
SBM	MATTE BLACK FRAME COLOR
SVM	SILVER METALLIC FRAME COLOR



G2 MID WHEEL HD POWER BASE, BRAKE RELEASE MOTOR LINIX			
ITEM #	PART #	DESCRIPTION	EFFECTIVE
1-6	1004390	LINK KIT, MID	2023-01-01
7-14	S-0051	KIT, SHOCK ASS'Y, 250 LB*IN, MEDIUM	2017-07-13
15A	S-0056-XXX*	REAR G2 MWD SUSPENSION ARM LH	2017-07-13
15B	S-0055-XXX*	REAR G2 MWD SUSPENSION ARM RH	2017-07-13
16	A10193	6 IN AND 8 IN CASTER FORK FOR MWD	2015-02-26
17A, 18A	1005973	4-POLE MOTOR LINIX 6.5MPH, H-LH_M-RH, ENCO	2026-04-21
17A, 18B	1005974	4-POLE MOTOR LINIX 6.5MPH, H-RH_M-LH, ENCO	2026-04-21
17B, 18A	1005975	4-POLE LINIX 6.5MPH, H-LH_M-RH, 14X4, ENCO	2026-04-21
17B, 18B	1005976	4-POLE LINIX 6.5MPH, H-RH_M-LH, 14X4, ENCO	2026-04-21
17A	S-0013	STANDARD DRIVE WHEEL HUB KIT	2015-08-01
17B	S-0031	14 IN X 4 IN DRIVE WHEEL HUB KIT	2015-08-01
19	A10193	6 IN AND 8 IN CASTER FORK FOR MWD	2015-02-26
20, 22-26	S-0035	BUSHING KIT FOR CASTER FORKS	2015-12-30
21A	S-0054-XXX*	FRONT G2 MWD SUSPENSION ARM LH	2019-11-20
21B	S-0053-XXX*	FRONT G2 MWD SUSPENSION ARM RH	2019-11-20
26	K00058	CASTER FORK HUB DUST COVER	2015-08-01
27	S-0043	KIT FOR G2 FULL GP24 BATTERY COMPARTEMENT	2015-08-01
NOT SHOWN	S-0033	SERVICE KIT FOR PIVOT POINTS, MWD	2015-11-17

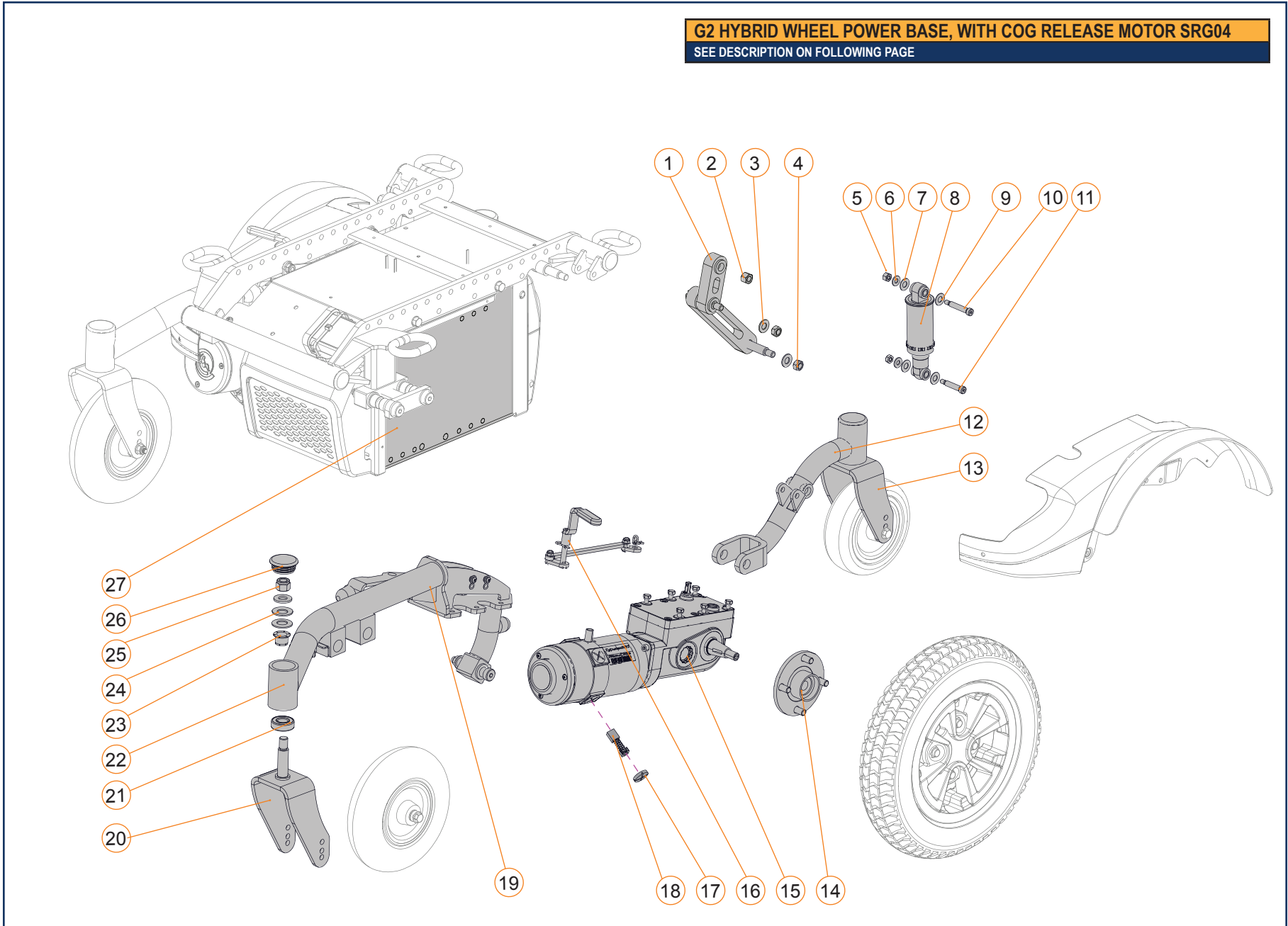
*COLOR CODES (ADD SUFFIX TO CONFIRM REQUIRED COLOR (EX: S-XXXX-BAO))	
CODES	DESCRIPTION
PRISMA	BLACK PRISMACOLOR FRAME COLOR
BAO	BLACK OPAL METALLIC FRAME COLOR
BOR	BURNT ORANGE METALLIC FRAME COLOR
CBU	CANDY BLUE FRAME COLOR
CRE	CANDY RED FRAME COLOR
GMC	GUN METAL FRAME COLOR
MLP	MIDNIGHT PURPLE FRAME COLOR
MWT	MATTE WHITE FRAME COLOR
BLK	BLACK (GLOSS) FRAME COLOR
MYG	MILITARY GREEN FRAME COLOR
MYT	MILITARY TAN FRAME COLOR
OPM	SPARKLE ORANGE FRAME COLOR
PKP	PEARL PINK FRAME COLOR
RZB	RAZZLEBERRY FRAME COLOR
SBM	MATTE BLACK FRAME COLOR
SVM	SILVER METALLIC FRAME COLOR

(G1) ALLTRACK R SERIES - SECTION 3.1.5



G1 HYBRID WHEEL POWER BASE, WITH COG RELEASE MOTOR SRG04							
ITEM #	PART #	DESCRIPTION	PRIOR TO	ITEM #	PART #	DESCRIPTION	PRIOR TO
1A, 11A, 16A	C-10295	12 IN AND 14 IN DRIVE WHEEL RIM ASSEMBLY	2015-08-01	20A	S-0013	STANDARD DRIVE WHEEL HUB KIT	2015-08-01
1B, 11B, 16B	C-10228	14 IN X 4 IN DRIVE WHEEL RIM ASSEMBLY	2015-08-01	20B	S-0031	14 IN X 4 IN DRIVE WHEEL HUB KIT	2015-08-01
2-7	C-10224	KIT, SHOCK ASS'Y, 200 LB*IN, SOFT, HWD WHEEL	2015-08-01	21, 22	S-0006	BRUSH KIT FOR 4 POLE MOTORS	2015-08-01
8A	C-10183	REAR LH REAR WHEEL SUSPENSION ARM	2015-08-01	23A	C-10179	FRONT LH HWD FLARED SUSPENSION ARM	2015-08-01
8B	C-10185	REAR RH REAR WHEEL SUSPENSION ARM	2015-08-01	23B	C-10181	FRONT RH HWD FLARED SUSPENSION ARM	2015-08-01
9	A10193	6 IN CASTER FORK FOR HWD	2015-08-01	23C	C-10211	FRONT LH HWD STRAIGHT SUSPENSION ARM	2015-08-01
10	J00024	GRAY 6 IN X 2 IN SOLID CASTER WHEEL	2015-08-01	23D	C-10213	FRONT RH HWD STRAIGHT SUSPENSION ARM	2015-08-01
13A	GP-384736	12 IN X 2 IN DRIVE WHEEL INNER PNEUMATIC TUBE	2015-08-01	24, 30-34	S-0035	BUSHING KIT FOR CASTER FORKS	2015-08-01
13B	GP-384739	14 IN X 3 IN DRIVE WHEEL INNER PNEUMATIC TUBE	2015-08-01	26A, 27, 28	S-0064	6 IN AND 8 IN CASTER AXLE KIT	2015-08-01
13C	J00029	14 IN X 4 IN DRIVE WHEEL INNER PNEUMATIC TUBE	2015-08-01	26B, 27, 28	S-0065	9 IN CASTER AXLE KIT	2015-08-01
14	GP-200135	CONICAL LUG NUTS	2015-08-01	25A	A10244	8 IN CASTER FORK FOR HWD	2015-08-01
15A	GP-384706	GRAY 12 IN X 2 IN PNEUMATIC KNOBBY DRIVE TIRE	2015-08-01	25B	A10245	9 IN CASTER FORK FOR HWD	2015-08-01
15B	J00057	GRAY 12 IN X 2 IN FOAM FILLED KNOBBY DRIVE TIRE	2015-08-01	29A	GP-400700	GRAY 8 IN X 2 IN PNEUMATIC CASTER WHEEL	2015-08-01
15C	GP-384709	GRAY 14 IN X 3 IN PNEUMATIC KNOBBY DRIVE TIRE	2015-08-01	29B	GP-400702	GRAY 8 IN X 2 IN FOAM FILLED CASTER WHEEL	2015-08-01
15D	GP-5808003	GRAY 14 IN X 3 IN FOAM FILLED KNOBBY DRIVE TIRE	2015-08-01	29C	GP-400750	GRAY 9 IN X 3 IN PNEUMATIC CASTER WHEEL	2015-08-01
15E	J00028	GRAY 14 IN X 4 IN PNEUMATIC KNOBBY DRIVE TIRE	2015-08-01	29D	GP-400751	GRAY 9 IN X 3 IN FOAM FILLED CASTER WHEEL	2015-08-01
15F	J00030	GRAY 14 IN X 4 IN FOAM FILLED KNOBBY DRIVE TIRE	2015-08-01	34	K00058	CASTER FORK HUB DUST COVER	2015-08-01
17	S-0098	DRIVE WHEEL FENDER INSTALLATION KIT, PAIR	2015-08-01	35A	C-1086	FRONT MODULE COVER, COMPACT GP22 BATTERIES	2015-08-01
18A	S-0049	BRAKE ROD KIT FOR HWD LH	2017-07-13	35B	C-1085	FRONT MODULE COVER, FULL SIZE GP24 BATTERIES	2015-08-01
18B	S-0048	BRAKE ROD KIT FOR HWD RH	2017-07-13	35A, 36A	C-10121	KIT FOR G1 COMPACT GP22 BATTERY COMPARTEMENT	2015-08-01
19A, 20A, 21, 22	R00037	5.9/6.5 MPH LH STANDARD DRIVE MOTOR FOR HWD	2015-08-01	35B, 36B	C-10115	KIT FOR G1 FULL GP24 BATTERY COMPARTEMENT	2015-08-01
19B, 20A, 21, 22	R00038	5.9/6.5 MPH RH STANDARD DRIVE MOTOR FOR HWD	2015-08-01	NOT SHOWN	S-0018	SERVICE KIT FOR PIVOT POINTS, HWD	2015-08-01
19C, 20A, 21, 22	R00035	8.5 MPH LH HIGH SPEED DRIVE MOTOR FOR HWD	2015-08-01	NOT SHOWN	S-0063	HARDWARE KIT FOR DRIVE MOTOR	2015-08-01
19D, 20A, 21, 22	R00036	8.5 MPH RH HIGH SPEED DRIVE MOTOR FOR HWD	2015-08-01				

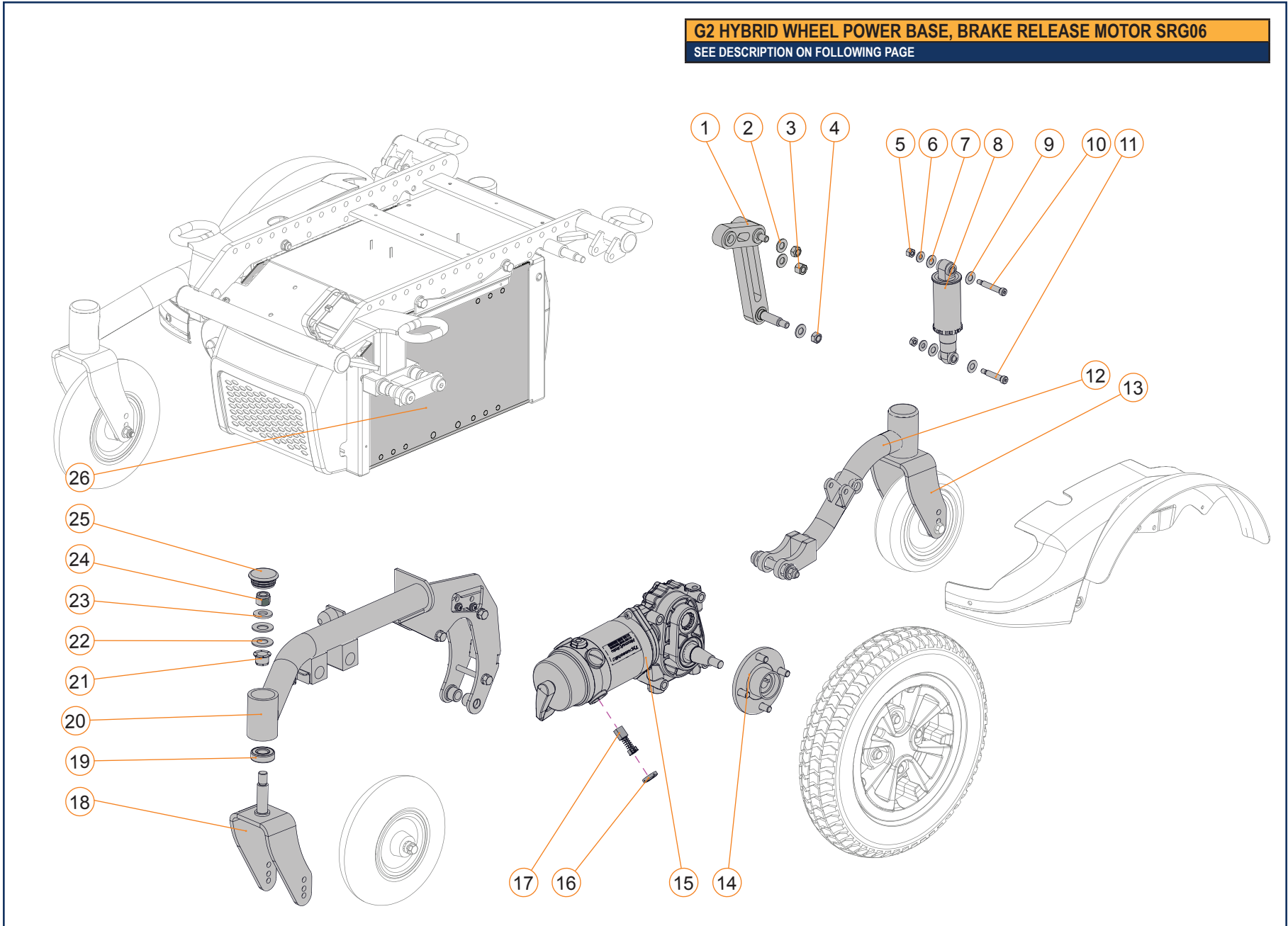
**G2 HYBRID WHEEL POWER BASE, WITH COG RELEASE MOTOR SRG04**  
 SEE DESCRIPTION ON FOLLOWING PAGE



G2 HYBRID WHEEL POWER BASE, WITH COG RELEASE MOTOR SRG04			
ITEM #	PART #	DESCRIPTION	EFFECTIVE
1-4	1004391	LINK KIT, HYBRID	2023-01-01
5-11	S-0050	KIT, SHOCK ASS'Y, 200 LB*IN, SOFT	2015-08-01
12A	S-0062-XXX*	REAR LH HYBRID WHEEL SUSPENSION ARM	2015-08-01
12B	S-0061-XXX*	REAR RH HYBRID WHEEL SUSPENSION ARM	2015-08-01
13	A10193	6 IN CASTER FORK FOR HWD	2015-08-01
14A	S-0013	STANDARD DRIVE WHEEL HUB KIT	2015-08-01
14B	S-0031	14 IN X 4 IN DRIVE WHEEL HUB KIT	2015-08-01
14A, 15A, 17, 18	R00037	5.9/6.5 MPH LH STANDARD DRIVE MOTOR FOR HWD	2015-08-01
14A, 15B, 17, 18	R00038	5.9/6.5 MPH RH STANDARD DRIVE MOTOR FOR HWD	2015-08-01
14A, 15C, 17, 18	R00035	8.5 MPH LH HIGH SPEED DRIVE MOTOR FOR HWD	2015-08-01
14A, 15D, 17, 18	R00036	8.5 MPH RH HIGH SPEED DRIVE MOTOR FOR HWD	2015-08-01
16A	S-0049	LH BRAKE ROD KIT FOR HWD	2015-08-01
16B	S-0048	RH BRAKE ROD KIT FOR HWD	2015-08-01
17, 18	S-0006	BRUSH KIT FOR 4 POLE MOTORS	2015-08-01
19A	S-0058-XXX*	FRONT LH HWD FLARED SUSPENSION ARM	2015-08-01
19B	S-0057-XXX*	FRONT RH HWD FLARED SUSPENSION ARM	2015-08-01
19C	S-0060-XXX*	FRONT LH HWD STRAIGHT SUSPENSION ARM	2015-08-01
19D	S-0059-XXX*	FRONT RH HWD STRAIGHT SUSPENSION ARM	2015-08-01
20A	A10244	8 IN CASTER FORK FOR HWD	2015-08-01
20B	A10245	9 IN CASTER FORK FOR HWD	2015-08-01
21, 23-26	S-0035	BUSHING KIT FOR CASTER FORKS	2015-08-01
26	K00058	CASTER FORK HUB DUST COVER	2015-08-01
27A	S-0044	KIT FOR G2 COMPACT GP22 BATTERY COMPARTEMENT	2015-08-01
27B	S-0043	KIT FOR G2 FULL GP24 BATTERY COMPARTEMENT	2015-08-01
NOT SHOWN	S-0034	SERVICE KIT FOR PIVOT POINTS, HWD	2012-03-21
NOT SHOWN	S-0063	HARDWARE KIT FOR DRIVE MOTOR	2008-04-30

*COLOR CODES (ADD SUFFIX TO CONFIRM REQUIRED COLOR (EX: S-XXXX-BAO))	
CODES	DESCRIPTION
PRISMA	BLACK PRISMACOLOR FRAME COLOR
BAO	BLACK OPAL METALLIC FRAME COLOR
BOR	BURNT ORANGE METALLIC FRAME COLOR
CBU	CANDY BLUE FRAME COLOR
CRE	CANDY RED FRAME COLOR
GMC	GUN METAL FRAME COLOR
MLP	MIDNIGHT PURPLE FRAME COLOR
MWT	MATTE WHITE FRAME COLOR
BLK	BLACK (GLOSS) FRAME COLOR
MYG	MILITARY GREEN FRAME COLOR
MYT	MILITARY TAN FRAME COLOR
OPM	SPARKLE ORANGE FRAME COLOR
PKP	PEARL PINK FRAME COLOR
RZB	RAZZLEBERRY FRAME COLOR
SBM	MATTE BLACK FRAME COLOR
SVM	SILVER METALLIC FRAME COLOR

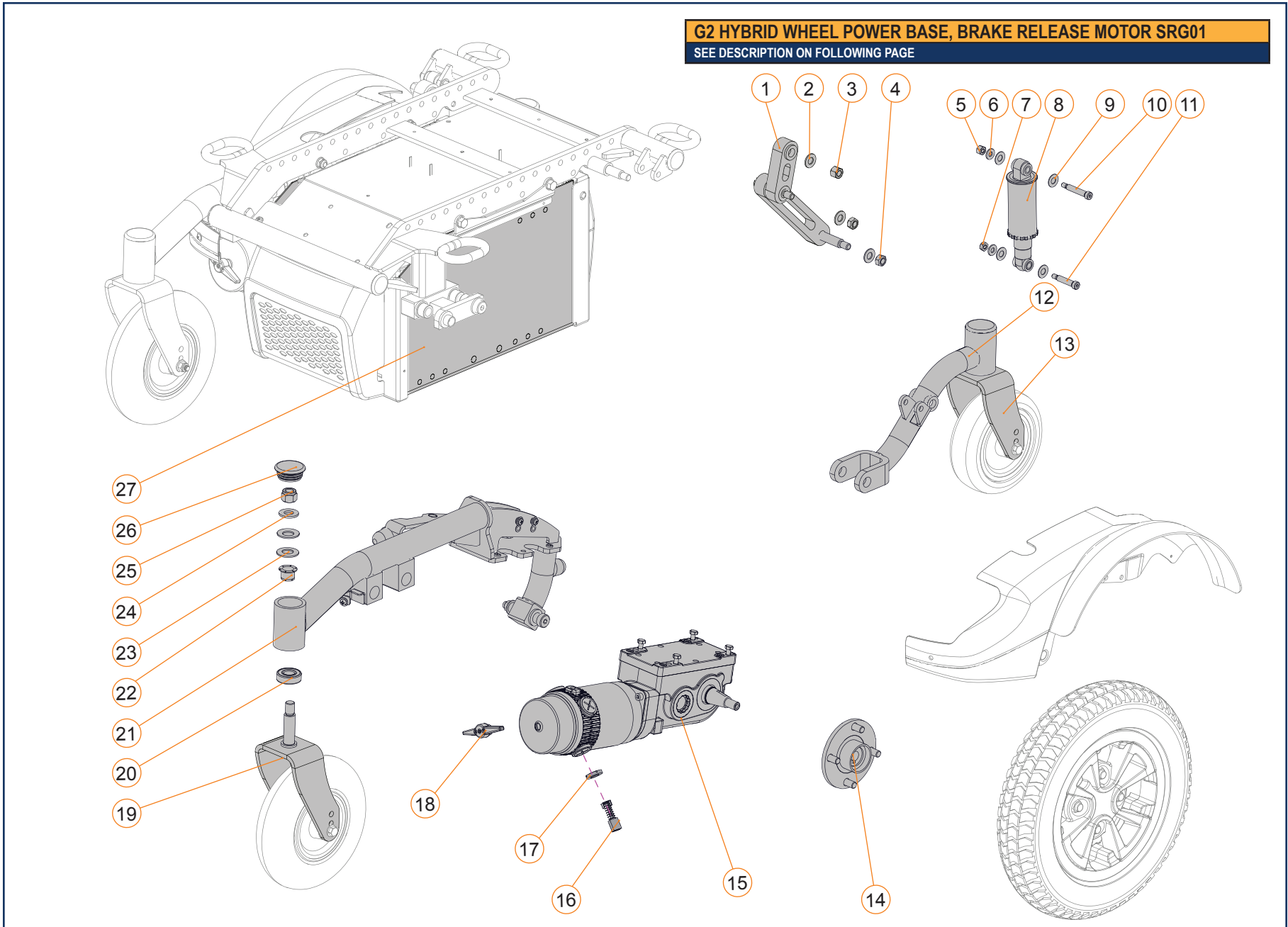
**G2 HYBRID WHEEL POWER BASE, BRAKE RELEASE MOTOR SRG06**  
SEE DESCRIPTION ON FOLLOWING PAGE



G2 HYBRID WHEEL POWER BASE, BRAKE RELEASE MOTOR SRG06			
ITEM #	PART #	DESCRIPTION	EFFECTIVE
1-4	1004391	LINK KIT, HYBRID	2023-01-01
5-11	S-0050	KIT, SHOCK ASS'Y, 200 LB*IN, SOFT	2015-08-01
12A	S-0075-XXX*	REAR LH HYBRID WHEEL SUSPENSION ARM	2015-08-01
12B	S-0074-XXX*	REAR RH HYBRID WHEEL SUSPENSION ARM	2015-08-01
13	A10193	6 IN CASTER FORK FOR HWD	2015-08-01
14A	S-0013	STANDARD DRIVE WHEEL HUB KIT	2015-08-01
14B	S-0031	14 IN X 4 IN DRIVE WHEEL HUB KIT	2015-08-01
14A, 15A, 16, 17	R00050	5.9/6.5 MPH LH STANDARD DRIVE MOTOR FOR HWD	2015-08-01
14A, 15B, 16, 17	R00049	5.9/6.5 MPH RH STANDARD DRIVE MOTOR FOR HWD	2015-08-01
16, 17	S-0006	BRUSH KIT FOR 4 POLE MOTORS	2015-08-01
18A	A10244	8 IN CASTER FORK FOR HWD	2015-08-01
18B	A10245	9 IN CASTER FORK FOR HWD	2015-08-01
19, 21-25	S-0035	BUSHING KIT FOR CASTER FORKS	2015-08-01
20A	S-0071-XXX*	FRONT LH HWD FLARED SUSPENSION ARM	2015-08-01
20B	S-0070-XXX*	FRONT RH HWD FLARED SUSPENSION ARM	2015-08-01
20C	S-0073-XXX*	FRONT LH HWD STRAIGHT SUSPENSION ARM	2015-08-01
20D	S-0072-XXX*	FRONT RH HWD STRAIGHT SUSPENSION ARM	2015-08-01
25	K00058	CASTER FORK HUB DUST COVER	2017-03-01
26A	S-0044	KIT FOR G2 COMPACT GP22 BATTERY COMPARTEMENT	2015-08-01
26B	S-0043	KIT FOR G2 FULL GP24 BATTERY COMPARTEMENT	2015-08-01
NOT SHOWN	S-0077	SERVICE KIT FOR PIVOT POINTS, HWD	2012-03-21
NOT SHOWN	S-0078	HARDWARE KIT FOR DRIVE MOTOR	2008-04-30

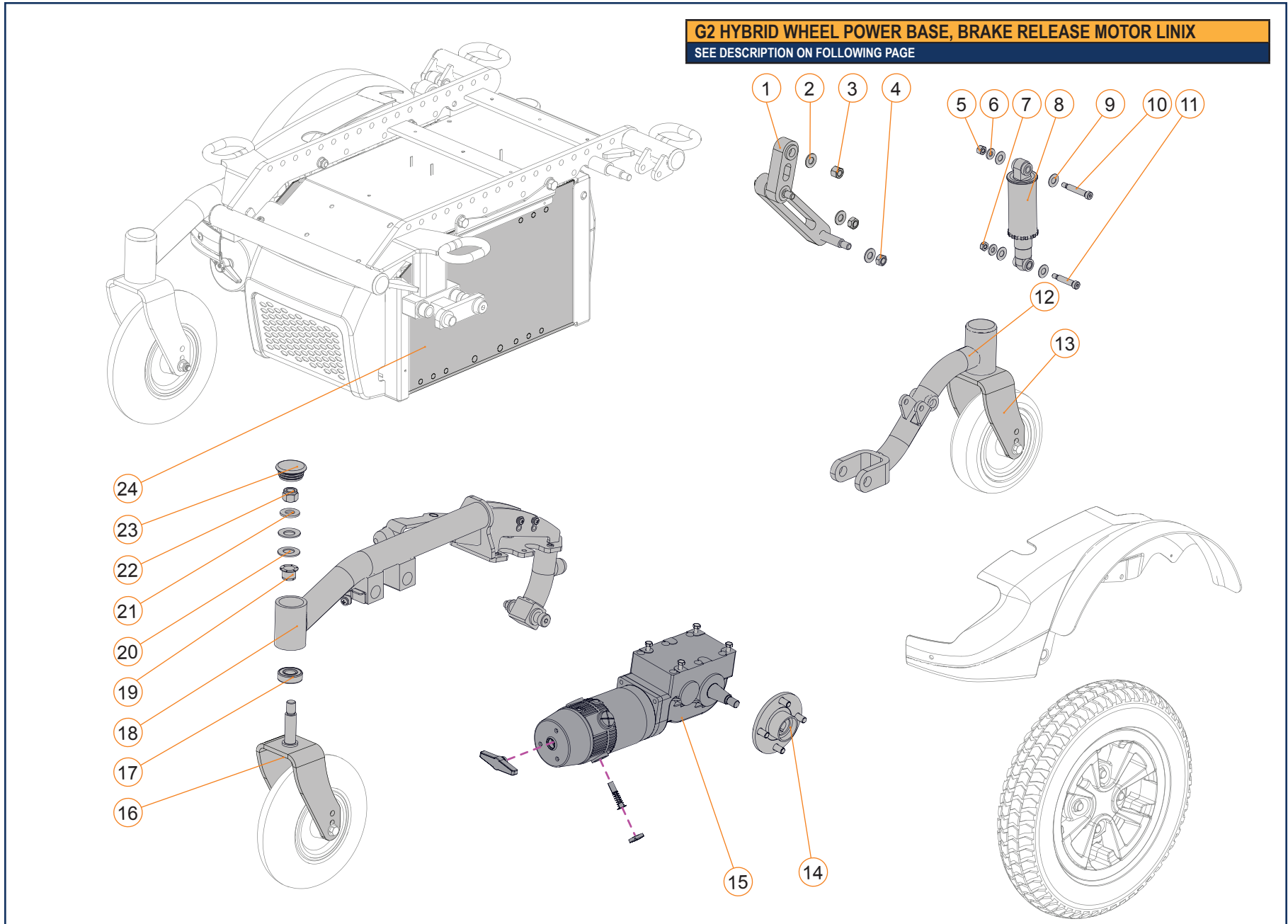
*COLOR CODES (ADD SUFFIX TO CONFIRM REQUIRED COLOR (EX: S-XXXX-BAO))	
CODES	DESCRIPTION
PRISMA	BLACK PRISMACOLOR FRAME COLOR
BAO	BLACK OPAL METALLIC FRAME COLOR
BOR	BURNT ORANGE METALLIC FRAME COLOR
CBU	CANDY BLUE FRAME COLOR
CRE	CANDY RED FRAME COLOR
GMC	GUN METAL FRAME COLOR
MLP	MIDNIGHT PURPLE FRAME COLOR
MWT	MATTE WHITE FRAME COLOR
BLK	BLACK (GLOSS) FRAME COLOR
MYG	MILITARY GREEN FRAME COLOR
MYT	MILITARY TAN FRAME COLOR
OPM	SPARKLE ORANGE FRAME COLOR
PKP	PEARL PINK FRAME COLOR
RZB	RAZZLEBERRY FRAME COLOR
SBM	MATTE BLACK FRAME COLOR
SVM	SILVER METALLIC FRAME COLOR

**G2 HYBRID WHEEL POWER BASE, BRAKE RELEASE MOTOR SRG01**  
 SEE DESCRIPTION ON FOLLOWING PAGE



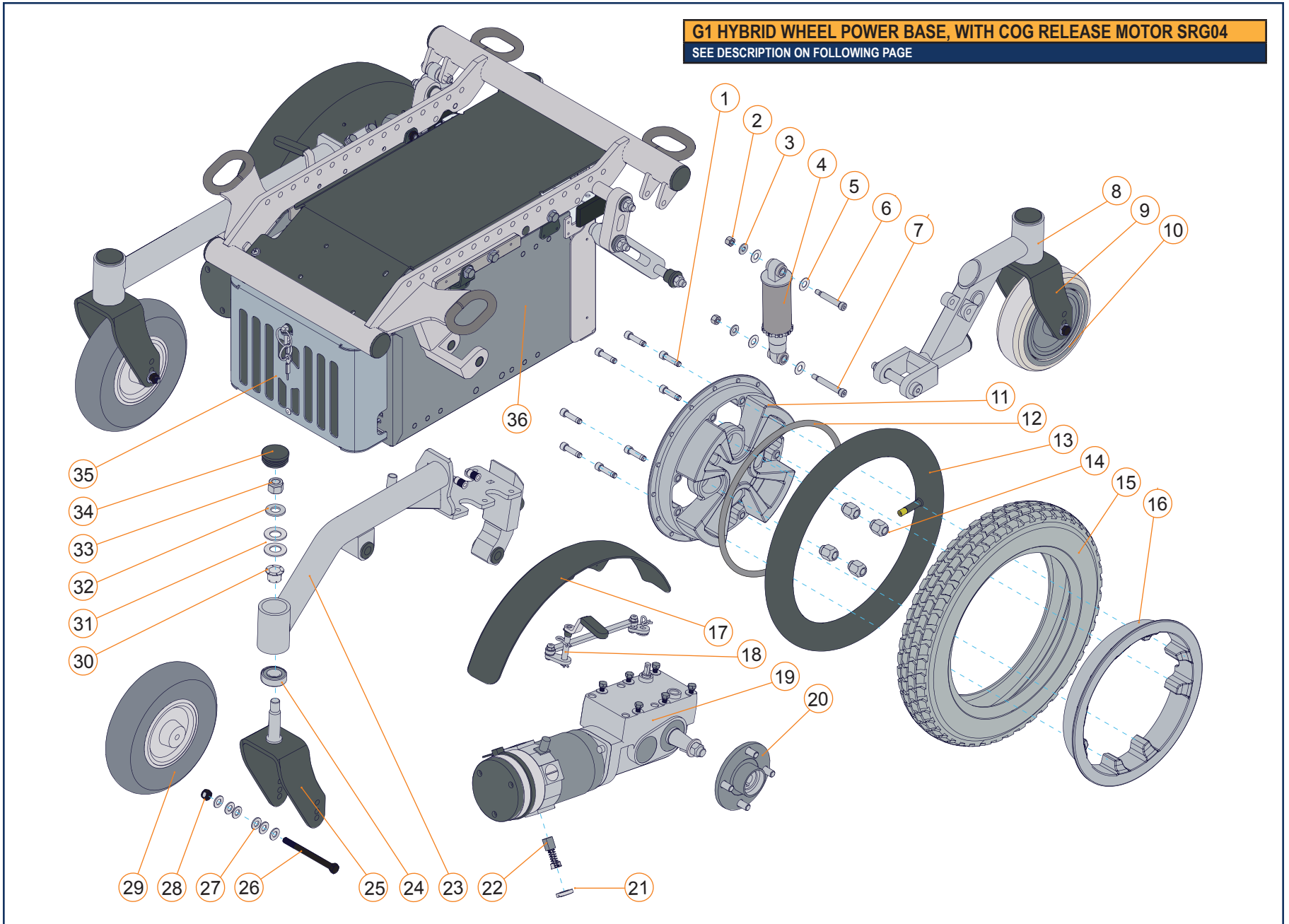
G2 HYBRID WHEEL POWER BASE, BRAKE RELEASE MOTOR SRG01			
ITEM #	PART #	DESCRIPTION	EFFECTIVE
1-4	1004391	LINK KIT, HYBRID	2023-01-01
5-11	S-0050	KIT, SHOCK ASS'Y, 200 LB*IN, SOFT	2015-08-01
12A	S-0062-XXX*	REAR LH HYBRID WHEEL SUSPENSION ARM	2017-07-13
12B	S-0061-XXX*	REAR RH HYBRID WHEEL SUSPENSION ARM	2017-07-13
13	A10193	6 IN CASTER FORK FOR HWD	2015-08-01
14A	S-0013	STANDARD DRIVE WHEEL HUB KIT	2015-08-01
14B	S-0031	14 IN X 4 IN DRIVE WHEEL HUB KIT	2015-08-01
14A,15A, 16-18	1002458	4 POLE DRIVE MOTOR SRG-01, 6.5 MPH, R-LH / M-RH	2021-01-04
14A,15B, 16-18	1002457	4 POLES DRIVE MOTOR SRG-01, 6.5 MPH, R-RH / M-LH	2021-01-04
16, 17	1004420	BRUSH KIT WITH CAPS FOR 4 POLE MOTORS, SRG-01	2023-03-29
18	1004418	BRAKE LEVER, SRG-01 MOTOR	2023-03-13
19A	A10244	8 IN CASTER FORK FOR HWD	2015-08-01
19B	A10245	9 IN CASTER FORK FOR HWD	2015-08-01
20, 22-26	S-0035	BUSHING KIT FOR CASTER FORKS	2015-08-01
21A	S-0058-XXX*	FRONT LH HWD FLARED SUSPENSION ARM	2019-11-20
21B	S-0057-XXX*	FRONT RH HWD FLARED SUSPENSION ARM	2019-11-20
21C	S-0060-XXX*	FRONT LH HWD STRAIGHT SUSPENSION ARM	2019-11-20
21D	S-0059-XXX*	FRONT RH HWD STRAIGHT SUSPENSION ARM	2019-11-20
26	K00058	CASTER FORK HUB DUST COVER	2017-03-01
27A	S-0044	KIT FOR G2 COMPACT GP22 BATTERY COMPARTEMENT	2015-08-01
27B	S-0043	KIT FOR G2 FULL GP24 BATTERY COMPARTEMENT	2015-08-01
NOT SHOWN	S-0034	SERVICE KIT FOR PIVOT POINTS, HWD	2015-11-25

*COLOR CODES (ADD SUFFIX TO CONFIRM REQUIRED COLOR (EX: S-XXXX-BAO))	
CODES	DESCRIPTION
PRISMA	BLACK PRISMACOLOR FRAME COLOR
BAO	BLACK OPAL METALLIC FRAME COLOR
BOR	BURNT ORANGE METALLIC FRAME COLOR
CBU	CANDY BLUE FRAME COLOR
CRE	CANDY RED FRAME COLOR
GMC	GUN METAL FRAME COLOR
MLP	MIDNIGHT PURPLE FRAME COLOR
MWT	MATTE WHITE FRAME COLOR
BLK	BLACK (GLOSS) FRAME COLOR
MYG	MILITARY GREEN FRAME COLOR
MYT	MILITARY TAN FRAME COLOR
OPM	SPARKLE ORANGE FRAME COLOR
PKP	PEARL PINK FRAME COLOR
RZB	RAZZLEBERRY FRAME COLOR
SBM	MATTE BLACK FRAME COLOR
SVM	SILVER METALLIC FRAME COLOR



G2 HYBRID WHEEL POWER BASE, BRAKE RELEASE MOTOR LINIX			
ITEM #	PART #	DESCRIPTION	EFFECTIVE
1-4	1004391	LINK KIT, HYBRID	2023-01-01
5-11	S-0050	KIT, SHOCK ASS'Y, 200 LB*IN, SOFT	2015-08-01
12A	S-0062-XXX*	REAR LH HYBRID WHEEL SUSPENSION ARM	2017-07-13
12B	S-0061-XXX*	REAR RH HYBRID WHEEL SUSPENSION ARM	2017-07-13
13	A10193	6 IN CASTER FORK FOR HWD	2015-08-01
14A	S-0013	STANDARD DRIVE WHEEL HUB KIT	2015-08-01
14B	S-0031	14 IN X 4 IN DRIVE WHEEL HUB KIT	2015-08-01
14A, 15A	1005973	4-POLE MOTOR LINIX 6.5MPH, H-LH_M-RH, ENCO	2026-04-21
14A, 15B	1005974	4-POLE MOTOR LINIX 6.5MPH, H-RH_M-LH, ENCO	2026-04-21
14B, 15A	1005975	4-POLE LINIX 6.5MPH, H-LH_M-RH, 14X4, ENCO	2026-04-21
14B, 15B	1005976	4-POLE LINIX 6.5MPH, H-RH_M-LH, 14X4, ENCO	2026-04-21
16A	A10244	8 IN CASTER FORK FOR HWD	2015-08-01
16B	A10245	9 IN CASTER FORK FOR HWD	2015-08-01
17, 19-23	S-0035	BUSHING KIT FOR CASTER FORKS	2015-08-01
18A	S-0058-XXX*	FRONT LH HWD FLARED SUSPENSION ARM	2019-11-20
18B	S-0057-XXX*	FRONT RH HWD FLARED SUSPENSION ARM	2019-11-20
18C	S-0060-XXX*	FRONT LH HWD STRAIGHT SUSPENSION ARM	2019-11-20
18D	S-0059-XXX*	FRONT RH HWD STRAIGHT SUSPENSION ARM	2019-11-20
23	K00058	CASTER FORK HUB DUST COVER	2017-03-01
24A	S-0044	KIT FOR G2 COMPACT GP22 BATTERY COMPARTEMENT	2015-08-01
24B	S-0043	KIT FOR G2 FULL GP24 BATTERY COMPARTEMENT	2015-08-01
NOT SHOWN	S-0034	SERVICE KIT FOR PIVOT POINTS, HWD	2015-11-25

*COLOR CODES (ADD SUFFIX TO CONFIRM REQUIRED COLOR (EX: S-XXXX-BAO))	
CODES	DESCRIPTION
PRISMA	BLACK PRISMACOLOR FRAME COLOR
BAO	BLACK OPAL METALLIC FRAME COLOR
BOR	BURNT ORANGE METALLIC FRAME COLOR
CBU	CANDY BLUE FRAME COLOR
CRE	CANDY RED FRAME COLOR
GMC	GUN METAL FRAME COLOR
MLP	MIDNIGHT PURPLE FRAME COLOR
MWT	MATTE WHITE FRAME COLOR
BLK	BLACK (GLOSS) FRAME COLOR
MYG	MILITARY GREEN FRAME COLOR
MYT	MILITARY TAN FRAME COLOR
OPM	SPARKLE ORANGE FRAME COLOR
PKP	PEARL PINK FRAME COLOR
RZB	RAZZLEBERRY FRAME COLOR
SBM	MATTE BLACK FRAME COLOR
SVM	SILVER METALLIC FRAME COLOR

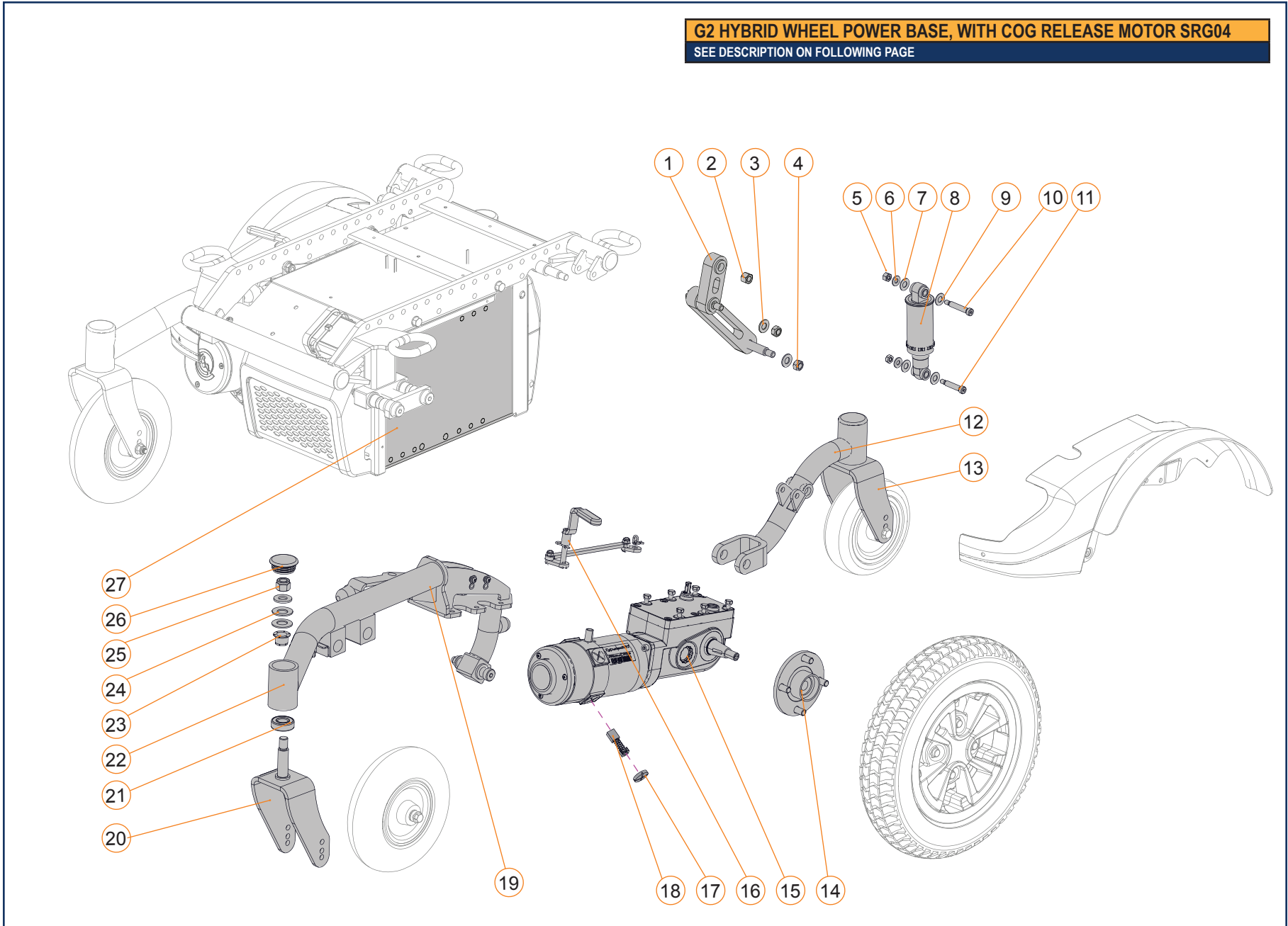


**G1 HYBRID WHEEL POWER BASE, WITH COG RELEASE MOTOR SRG04**

ITEM #	PART #	DESCRIPTION	PRIOR TO
1A, 11A, 16A	C-10295	12 IN AND 14 IN DRIVE WHEEL RIM ASSEMBLY	2015-08-01
1B, 11B, 16B	C-10228	14 IN X 4 IN DRIVE WHEEL RIM ASSEMBLY	2015-08-01
2-7	C-10226	KIT, SHOCK ASSY, 250 LB*IN, MEDIUM, HWD WHEEL	2015-08-01
8A	C-10183	REAR LH HYBRID WHEEL SUSPENSION ARM	2015-08-01
8B	C-10185	REAR RH HYBRID WHEEL SUSPENSION ARM	2015-08-01
9	A10193	6 IN CASTER FORK FOR HWD	2015-08-01
10	J00024	GRAY 6 IN X 2 IN SOLID CASTER WHEEL	2015-08-01
13A	GP-384736	12 IN X 2 IN DRIVE WHEEL INNER PNEUMATIC TUBE	2015-08-01
13B	GP-384739	14 IN X 3 IN DRIVE WHEEL INNER PNEUMATIC TUBE	2015-08-01
13C	J00029	14 IN X 4 IN DRIVE WHEEL INNER PNEUMATIC TUBE	2015-08-01
14	GP-200135	CONICAL LUG NUTS	2015-08-01
15A	GP-384706	GRAY 12 IN X 2 IN PNEUMATIC KNOBBY DRIVE TIRE	2015-08-01
15B	J00057	GRAY 12 IN X 2 IN FOAM FILLED KNOBBY DRIVE TIRE	2015-08-01
15C	GP-384709	GRAY 14 IN X 3 IN PNEUMATIC KNOBBY DRIVE TIRE	2015-08-01
15D	GP-5808003	GRAY 14 IN X 3 IN FOAM FILLED KNOBBY DRIVE TIRE	2015-08-01
15E	J00028	GRAY 14 IN X 4 IN PNEUMATIC KNOBBY DRIVE TIRE	2015-08-01
15F	J00030	GRAY 14 IN X 4 IN FOAM FILLED KNOBBY DRIVE TIRE	2015-08-01
17	S-0098	DRIVE WHEEL FENDER INSTALLATION KIT, PAIR	2015-08-01
18A	S-0049	LH BRAKE ROD KIT FOR HWD	2015-08-01
18B	S-0048	RH BRAKE ROD KIT FOR HWD	2015-08-01
19A, 20A, 21, 22	R00037	5.9/6.5 MPH LH STANDARD DRIVE MOTOR FOR HWD	2015-08-01
19B, 20A, 21, 22	R00038	5.9/6.5 MPH RH STANDARD DRIVE MOTOR FOR HWD	2015-08-01
19C, 20A, 21, 22	R00035	8.5 MPH LH HIGH SPEED DRIVE MOTOR FOR HWD	2015-08-01
19D, 20A, 21, 22	R00036	8.5 MPH RH HIGH SPEED DRIVE MOTOR FOR HWD	2015-08-01

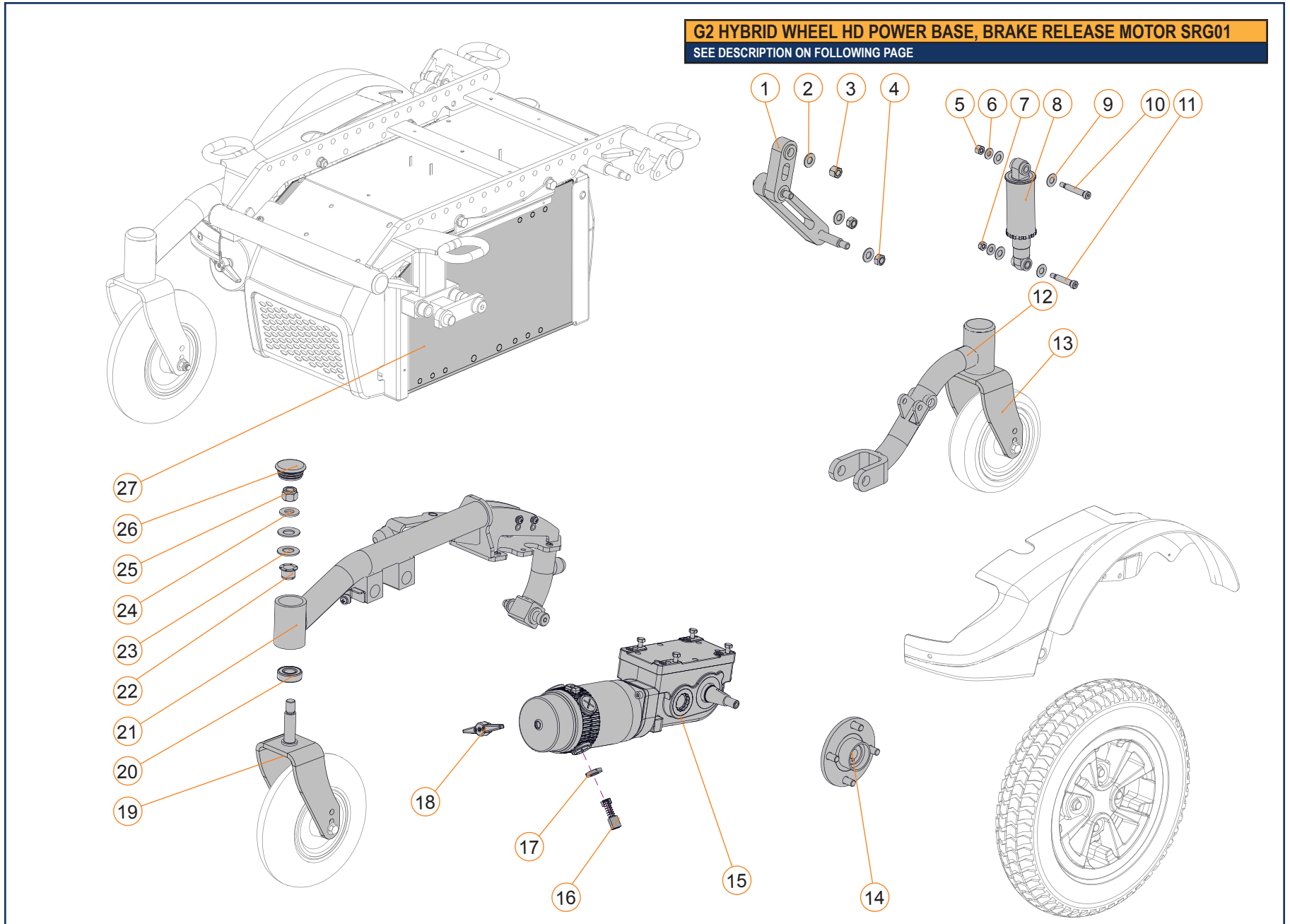
ITEM #	PART #	DESCRIPTION	PRIOR TO
20A	S-0013	STANDARD DRIVE WHEEL HUB KIT	2015-08-01
20B	S-0031	14 IN X 4 IN DRIVE WHEEL HUB KIT	2015-08-01
21, 22	S-0006	BRUSH KIT FOR 4 POLE MOTORS	2015-08-01
23A	C-10179	FRONT LH HWD FLARED SUSPENSION ARM	2015-08-01
23B	C-10181	FRONT RH HWD FLARED SUSPENSION ARM	2015-08-01
23C	C-10211	FRONT LH HWD STRAIGHT SUSPENSION ARM	2015-08-01
23D	C-10213	FRONT RH HWD STRAIGHT SUSPENSION ARM	2015-08-01
24, 30-34	S-0035	BUSHING KIT FOR CASTER FORKS	2015-08-01
25A	A10244	8 IN CASTER FORK FOR HWD	2015-08-01
25B	A10245	9 IN CASTER FORK FOR HWD	2015-08-01
26A, 27, 28	S-0064	6 IN AND 8 IN CASTER AXLE KIT	2015-08-01
26B, 27, 28	S-0065	9 IN CASTER AXLE KIT	2015-08-01
29A	GP-400700	GRAY 8 IN X 2 IN PNEUMATIC CASTER WHEEL	2015-08-01
29B	GP-400702	GRAY 8 IN X 2 IN FOAM FILLED CASTER WHEEL	2015-08-01
29C	GP-400750	GRAY 9 IN X 3 IN PNEUMATIC CASTER WHEEL	2015-08-01
29D	GP-400751	GRAY 9 IN X 3 IN FOAM FILLED CASTER WHEEL	2015-08-01
35	C-1085	FRONT MODULE COVER, FULL SIZE GP24 BATTERIES	2015-08-01
35, 36	C-10115	KIT FOR G1 FULL GP24 BATTERY COMPARTMENT	2015-08-01
34	K00058	CASTER FORK HUB DUST COVER	2015-08-01
NOT SHOWN	S-0018	SERVICE KIT FOR PIVOT POINTS, HWD	2015-08-01
NOT SHOWN	S-0063	HARDWARE KIT FOR DRIVE MOTOR	2015-08-01

**G2 HYBRID WHEEL POWER BASE, WITH COG RELEASE MOTOR SRG04**  
 SEE DESCRIPTION ON FOLLOWING PAGE



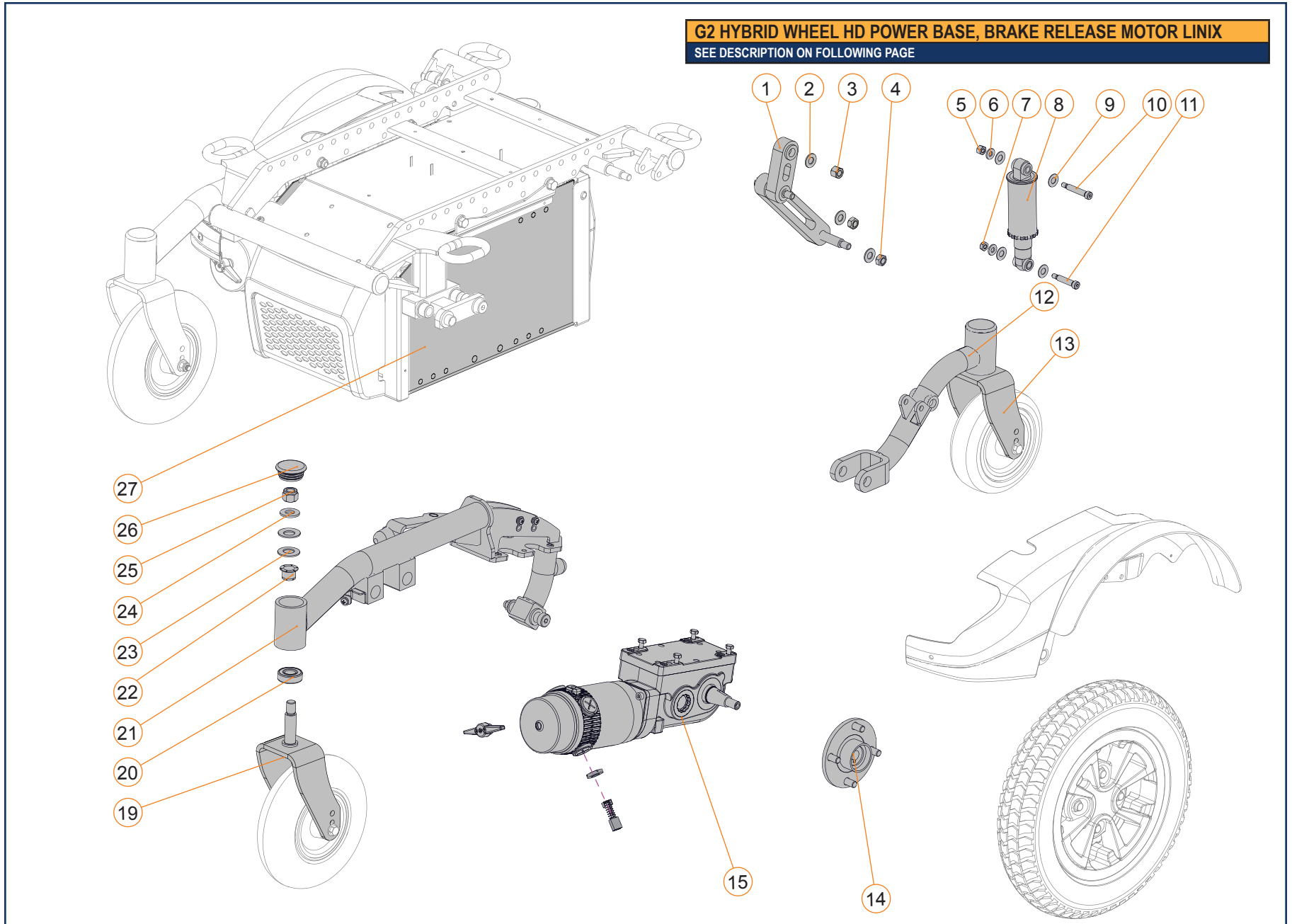
G2 HYBRID WHEEL POWER BASE, WITH COG RELEASE MOTOR SRG04			
ITEM #	PART #	DESCRIPTION	EFFECTIVE
1-4	1004391	LINK KIT, HYBRID	2023-01-01
5-11	S-0051	KIT, SHOCK ASS'Y, 250 LB*IN, MEDIUM	2015-08-01
12A	S-0062-XXX*	REAR LH HYBRID WHEEL SUSPENSION ARM	2015-08-01
12B	S-0061-XXX*	REAR RH HYBRID WHEEL SUSPENSION ARM	2015-08-01
13	A10193	6 IN CASTER FORK FOR HWD	2015-08-01
14A	S-0013	STANDARD DRIVE WHEEL HUB KIT	2015-08-01
14B	S-0031	14 IN X 4 IN DRIVE WHEEL HUB KIT	2015-08-01
14A, 15A, 17, 18	R00037	5.9/6.5 MPH LH STANDARD DRIVE MOTOR FOR HWD	2015-08-01
14A, 15B, 17, 18	R00038	5.9/6.5 MPH RH STANDARD DRIVE MOTOR FOR HWD	2015-08-01
16A	S-0049	LH BRAKE ROD KIT FOR HWD	2015-08-01
16B	S-0048	RH BRAKE ROD KIT FOR HWD	2015-08-01
17, 18	S-0006	BRUSH KIT FOR 4 POLE MOTORS	2015-08-01
19A	S-0058-XXX*	FRONT LH HWD FLARED SUSPENSION ARM	2015-08-01
19B	S-0057-XXX*	FRONT RH HWD FLARED SUSPENSION ARM	2015-08-01
19C	S-0060-XXX*	FRONT LH HWD STRAIGHT SUSPENSION ARM	2015-08-01
19D	S-0059-XXX*	FRONT RH HWD STRAIGHT SUSPENSION ARM	2015-08-01
20A	A10244	8 IN CASTER FORK FOR HWD	2015-08-01
20B	A10245	9 IN CASTER FORK FOR HWD	2015-08-01
21, 23-26	S-0035	BUSHING KIT FOR CASTER FORKS	2015-08-01
26	K00058	CASTER FORK HUB DUST COVER	2015-08-01
27	S-0043	KIT FOR G2 FULL GP24 BATTERY COMPARTEMENT	2015-08-01
NOT SHOWN	S-0034	SERVICE KIT FOR PIVOT POINTS, HWD	2012-03-21
NOT SHOWN	S-0063	HARDWARE KIT FOR DRIVE MOTOR	2008-04-30

*COLOR CODES (ADD SUFFIX TO CONFIRM REQUIRED COLOR (EX: S-XXXX-BAO))	
CODES	DESCRIPTION
PRISMA	BLACK PRISMACOLOR FRAME COLOR
BAO	BLACK OPAL METALLIC FRAME COLOR
BOR	BURNT ORANGE METALLIC FRAME COLOR
CBU	CANDY BLUE FRAME COLOR
CRE	CANDY RED FRAME COLOR
GMC	GUN METAL FRAME COLOR
MLP	MIDNIGHT PURPLE FRAME COLOR
MWT	MATTE WHITE FRAME COLOR
BLK	BLACK (GLOSS) FRAME COLOR
MYG	MILITARY GREEN FRAME COLOR
MYT	MILITARY TAN FRAME COLOR
OPM	SPARKLE ORANGE FRAME COLOR
PKP	PEARL PINK FRAME COLOR
RZB	RAZZLEBERRY FRAME COLOR
SBM	MATTE BLACK FRAME COLOR
SVM	SILVER METALLIC FRAME COLOR



G2 HYBRID WHEEL HD POWER BASE, BRAKE RELEASE MOTOR SRG01			
ITEM #	PART #	DESCRIPTION	EFFECTIVE
1-4	1004391	LINK KIT, HYBRID	2023-01-01
5-11	S-0051	KIT, SHOCK ASS'Y, 250 LB*IN, MEDIUM	2017-07-13
12A	S-0062-XXX*	REAR LH HYBRID WHEEL SUSPENSION ARM	2017-07-13
12B	S-0061-XXX*	REAR RH HYBRID WHEEL SUSPENSION ARM	2017-07-13
13	A10193	6 IN CASTER FORK FOR HWD	2015-08-01
14A	S-0013	STANDARD DRIVE WHEEL HUB KIT	2015-08-01
14B	S-0031	14 IN X 4 IN DRIVE WHEEL HUB KIT	2015-08-01
14A,15A, 16-18	1002458	4 POLE DRIVE MOTOR SRG-01, 6.5 MPH, R-LH / M-RH	2021-01-04
14A,15B, 16-18	1002457	4 POLES DRIVE MOTOR SRG-01, 6.5 MPH, R-RH / M-LH	2021-01-04
16, 17	1004420	BRUSH KIT WITH CAPS FOR 4 POLE MOTORS, SRG-01	2023-03-29
18	1004418	BRAKE LEVER, SRG-01 MOTOR	2023-03-13
19A	A10244	8 IN CASTER FORK FOR HWD	2015-08-01
19B	A10245	9 IN CASTER FORK FOR HWD	2015-08-01
20, 22-26	S-0035	BUSHING KIT FOR CASTER FORKS	2015-08-01
21A	S-0058-XXX*	FRONT LH HWD FLARED SUSPENSION ARM	2019-11-20
21B	S-0057-XXX*	FRONT RH HWD FLARED SUSPENSION ARM	2019-11-20
21C	S-0060-XXX*	FRONT LH HWD STRAIGHT SUSPENSION ARM	2019-11-20
21D	S-0059-XXX*	FRONT RH HWD STRAIGHT SUSPENSION ARM	2019-11-20
26	K00058	CASTER FORK HUB DUST COVER	2017-03-01
27	S-0043	KIT FOR G2 FULL GP24 BATTERY COMPARTEMENT	2017-07-13
NOT SHOWN	S-0034	SERVICE KIT FOR PIVOT POINTS, HWD	2012-03-21

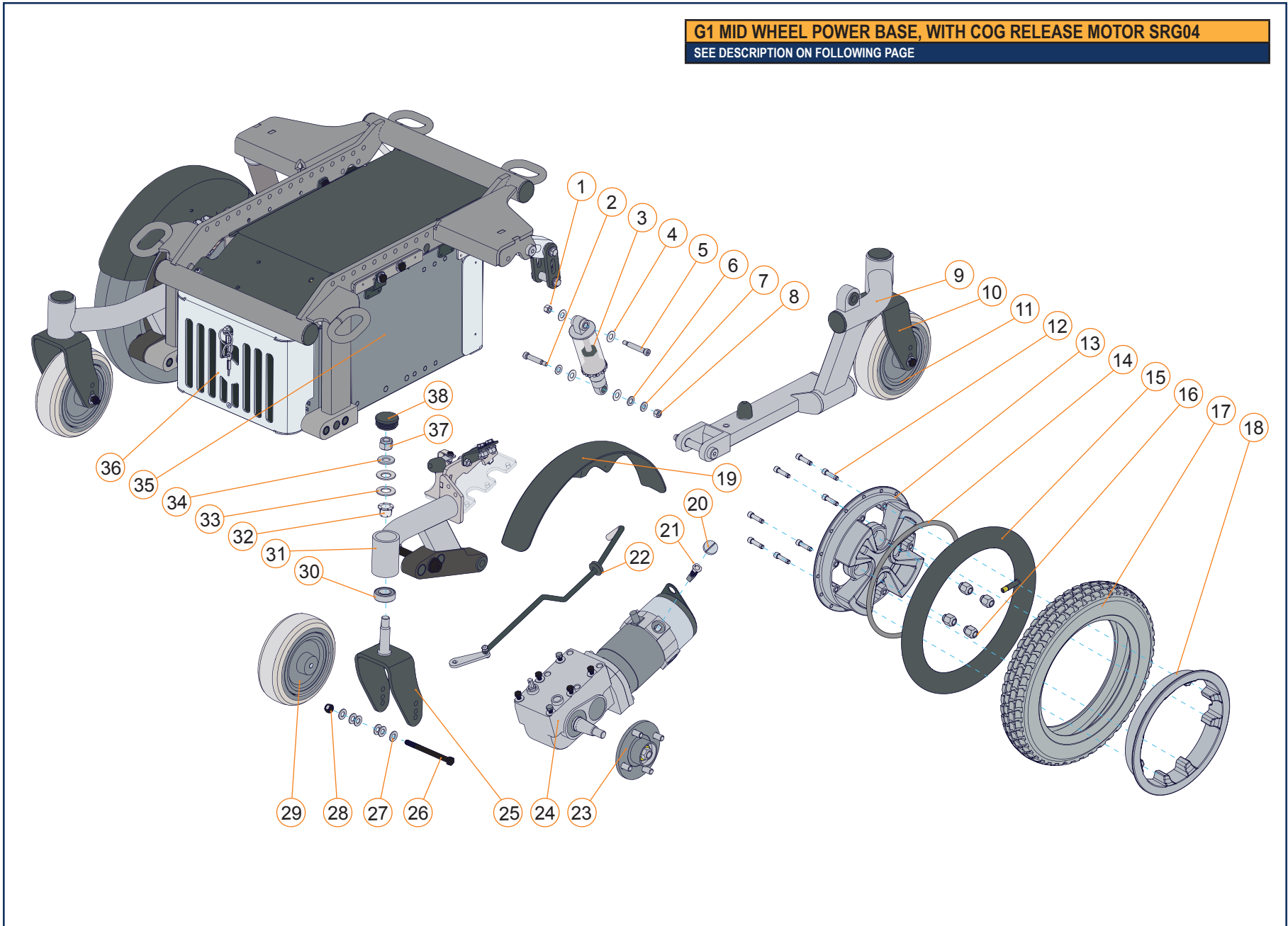
*COLOR CODES (ADD SUFFIX TO CONFIRM REQUIRED COLOR (EX: S-XXXX-BAO))	
CODES	DESCRIPTION
PRISMA	BLACK PRISMACOLOR FRAME COLOR
BAO	BLACK OPAL METALLIC FRAME COLOR
BOR	BURNT ORANGE METALLIC FRAME COLOR
CBU	CANDY BLUE FRAME COLOR
CRE	CANDY RED FRAME COLOR
GMC	GUN METAL FRAME COLOR
MLP	MIDNIGHT PURPLE FRAME COLOR
MWT	MATTE WHITE FRAME COLOR
BLK	BLACK (GLOSS) FRAME COLOR
MYG	MILITARY GREEN FRAME COLOR
MYT	MILITARY TAN FRAME COLOR
OPM	SPARKLE ORANGE FRAME COLOR
PKP	PEARL PINK FRAME COLOR
RZB	RAZZLEBERRY FRAME COLOR
SBM	MATTE BLACK FRAME COLOR
SVM	SILVER METALLIC FRAME COLOR



G2 HYBRID WHEEL HD POWER BASE, BRAKE RELEASE MOTOR LINIX			
ITEM #	PART #	DESCRIPTION	EFFECTIVE
1-4	1004391	LINK KIT, HYBRID	2023-01-01
5-11	S-0051	KIT, SHOCK ASS'Y, 250 LB*IN, MEDIUM	2017-07-13
12A	S-0062-XXX*	REAR LH HYBRID WHEEL SUSPENSION ARM	2017-07-13
12B	S-0061-XXX*	REAR RH HYBRID WHEEL SUSPENSION ARM	2017-07-13
13	A10193	6 IN CASTER FORK FOR HWD	2015-08-01
14A, 15A	1005973	4-POLE MOTOR LINIX 6.5MPH, H-LH_M-RH, ENCO	2026-04-21
14A, 15B	1005974	4-POLE MOTOR LINIX 6.5MPH, H-RH_M-LH, ENCO	2026-04-21
14B, 15A	1005975	4-POLE LINIX 6.5MPH, H-LH_M-RH, 14X4, ENCO	2026-04-21
14B, 15B	1005976	4-POLE LINIX 6.5MPH, H-RH_M-LH, 14X4, ENCO	2026-04-21
16, 17	1004420	BRUSH KIT WITH CAPS FOR 4 POLE MOTORS, SRG-01	2023-03-29
18	1004418	BRAKE LEVER, SRG-01 MOTOR	2023-03-13
19A	A10244	8 IN CASTER FORK FOR HWD	2015-08-01
19B	A10245	9 IN CASTER FORK FOR HWD	2015-08-01
20, 22-26	S-0035	BUSHING KIT FOR CASTER FORKS	2015-08-01
21A	S-0058-XXX*	FRONT LH HWD FLARED SUSPENSION ARM	2019-11-20
21B	S-0057-XXX*	FRONT RH HWD FLARED SUSPENSION ARM	2019-11-20
21C	S-0060-XXX*	FRONT LH HWD STRAIGHT SUSPENSION ARM	2019-11-20
21D	S-0059-XXX*	FRONT RH HWD STRAIGHT SUSPENSION ARM	2019-11-20
26	K00058	CASTER FORK HUB DUST COVER	2017-03-01
27	S-0043	KIT FOR G2 FULL GP24 BATTERY COMPARTEMENT	2017-07-13
NOT SHOWN	S-0034	SERVICE KIT FOR PIVOT POINTS, HWD	2012-03-21

*COLOR CODES (ADD SUFFIX TO CONFIRM REQUIRED COLOR (EX: S-XXXX-BAO))	
CODES	DESCRIPTION
PRISMA	BLACK PRISMACOLOR FRAME COLOR
BAO	BLACK OPAL METALLIC FRAME COLOR
BOR	BURNT ORANGE METALLIC FRAME COLOR
CBU	CANDY BLUE FRAME COLOR
CRE	CANDY RED FRAME COLOR
GMC	GUN METAL FRAME COLOR
MLP	MIDNIGHT PURPLE FRAME COLOR
MWT	MATTE WHITE FRAME COLOR
BLK	BLACK (GLOSS) FRAME COLOR
MYG	MILITARY GREEN FRAME COLOR
MYT	MILITARY TAN FRAME COLOR
OPM	SPARKLE ORANGE FRAME COLOR
PKP	PEARL PINK FRAME COLOR
RZB	RAZZLEBERRY FRAME COLOR
SBM	MATTE BLACK FRAME COLOR
SVM	SILVER METALLIC FRAME COLOR

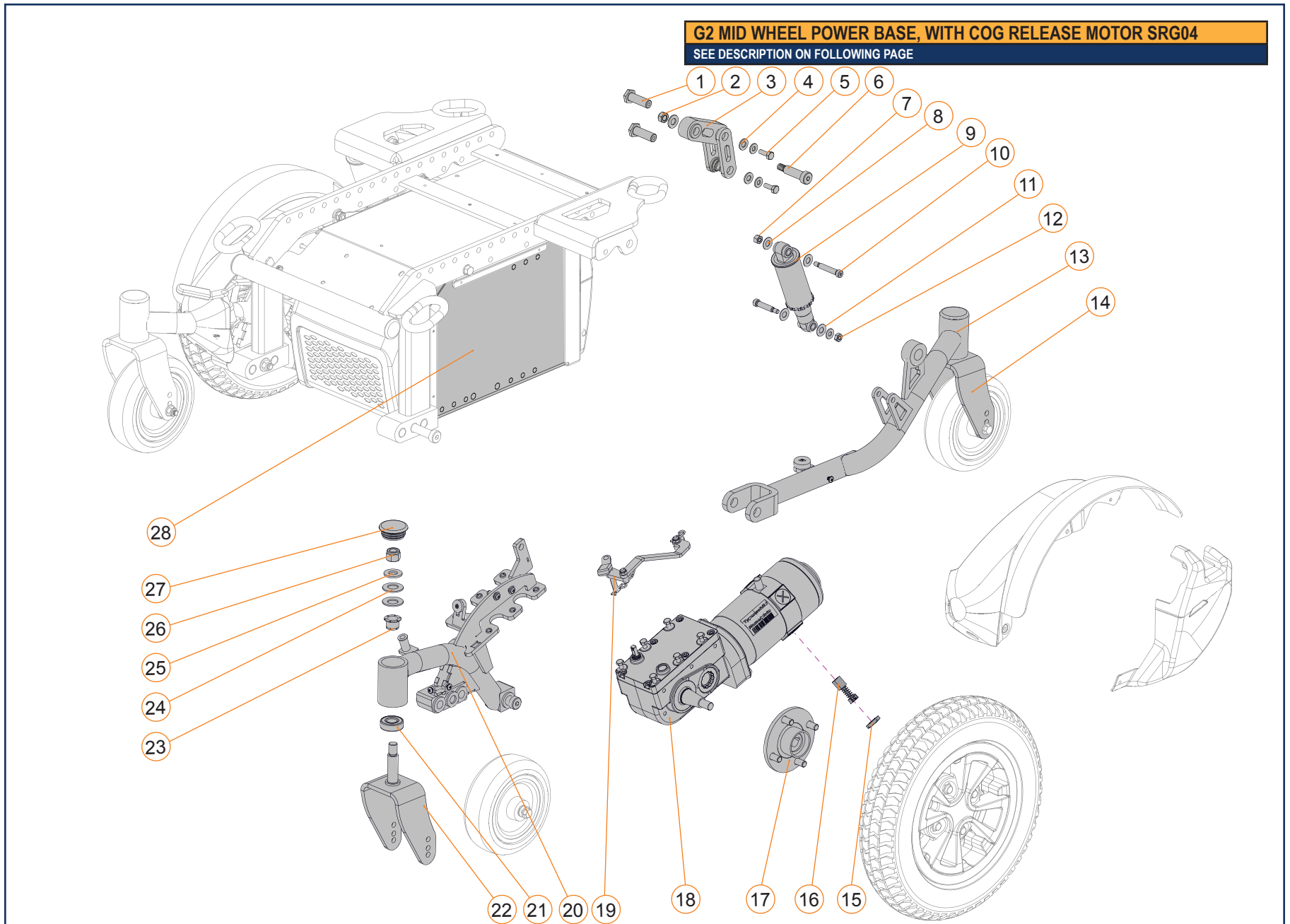
**G1 MID WHEEL POWER BASE, WITH COG RELEASE MOTOR SRG04**  
 SEE DESCRIPTION ON FOLLOWING PAGE



**G1 MID WHEEL POWER BASE, WITH COG RELEASE MOTOR SRG04**

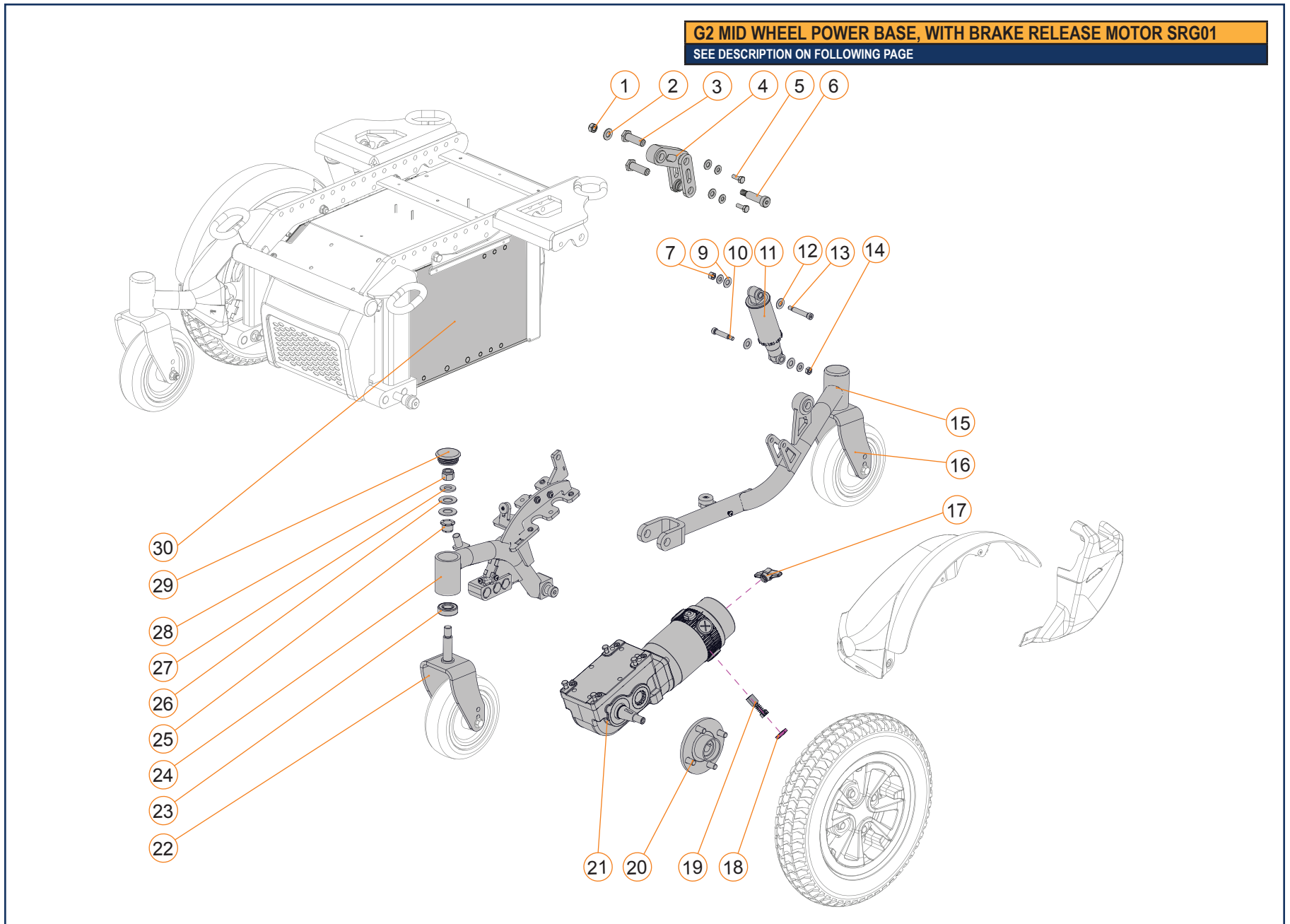
ITEM #	PART #	DESCRIPTION	PRIOR TO
1-8	C-10227	KIT, SHOCK ASS'Y, 350 LB*IN, FIRM, MWD	2015-08-01
9A	C-10177	REAR G1 MWD SUSPENSION ARM LH	2015-08-01
9B	C-10175	REAR G1 MWD SUSPENSION ARM RH	2015-08-01
10	A10193	6 IN AND 8 IN CASTER FORK FOR MWD	2015-08-01
11	J00024	GRAY 6 IN X 2 IN SOLID CASTER WHEEL	2015-08-01
12, 13, 18	C-10228	14 IN X 4 IN DRIVE WHEEL RIM ASSEMBLY	2015-08-01
12, 13, 15, 17A, 18	C-10229	ASSEMBLY, 14 X 3 WHEEL, PNEUMATIC	2015-08-01
12, 13, 17B, 18	C-10230	ASSEMBLY, 14 X 3 WHEEL, FOAM FILLED	2015-08-01
15	GP-384739	14 IN X 3 IN DRIVE WHEEL INNER PNEUMATIC TUBE	2015-08-01
16	GP-200135	CONICAL LUG NUT	2015-08-01
17A	GP-384709	GRAY 14 IN X 3 IN PNEUMATIC KNOBBY DRIVE TIRE	2015-08-01
17B	GP-5808003	GRAY 14 IN X 3 IN FOAM FILLED KNOBBY DRIVE TIRE	2015-08-01
19	S-0097	DRIVE WHEEL FENDER INSTALLATION KIT, PAIR	2015-08-01

ITEM #	PART #	DESCRIPTION	PRIOR TO
20, 21	S-0006	BRUSH KIT FOR 4 POLE MOTORS	2015-08-01
20, 21, 23A, 24A	R00044	5.4 MPH HEAVY DUTY DRIVE MOTOR FOR MWD LH	2015-08-01
20, 21, 23A, 24B	R00043	5.4 MPH HEAVY DUTY DRIVE MOTOR FOR MWD RH	2015-08-01
22A	C-1093	BRAKE ROD KIT FOR G1 MWD LH	2015-08-01
22B	C-1095	BRAKE ROD KIT FOR G1 MWD RH	2015-08-01
23A	S-0013	STANDARD DRIVE WHEEL HUB KIT	2015-08-01
23B	S-0031	14 IN X 4 IN DRIVE WHEEL HUB KIT	2015-08-01
25	A10193	6 IN AND 8 IN CASTER FORK FOR MWD	2015-08-01
26, 27, 28	S-0064	6 IN AND 8 IN CASTER AXLE KIT	2015-08-01
29A	GP-400700	GRAY 8 IN X 2 IN PNEUMATIC CASTER WHEEL	2015-08-01
29B	GP-400702	GRAY 8 IN X 2 IN FOAM FILLED CASTER WHEEL	2015-08-01
30, 32-38	S-0035	BUSHING KIT FOR CASTER FORKS	2015-08-01
31A	C-10171	FRONT MWD SUSPENSION ARM LH	2015-08-01
31B	C-10173	FRONT MWD SUSPENSION ARM RH	2015-08-01
35, 36	C-10117	KIT FOR G1 HD GP24 BATTERY COMPARTEMENT	2015-08-01
36	C-1085	FRONT MODULE COVER, FULL SIZE GP24 BATTERIES	2015-08-01
38	K00058	CASTER FORK HUB DUST COVER	2015-08-01
NOT SHOWN	S-0017	SERVICE KIT FOR PIVOT POINTS, MWD	2015-08-01
NOT SHOWN	S-0063	HARDWARE KIT FOR DRIVE MOTOR	2015-08-01



G2 MID WHEEL POWER BASE, WITH COG RELEASE MOTOR SRG04			
ITEM #	PART #	DESCRIPTION	EFFECTIVE
1-6	1004390	LINK KIT, MID	2023-01-01
7-12	S-0052	KIT, SHOCK ASS'Y, 350 LB*IN, FIRM	2015-08-01
13A	S-0056-XXX*	REAR G2 MWD SUSPENSION ARM LH	2015-08-01
13B	S-0055-XXX*	REAR G2 MWD SUSPENSION ARM RH	2015-08-01
14	A10193	6 IN AND 8 IN CASTER FORK FOR MWD	2015-02-26
15, 16	S-0006	BRUSH KIT FOR 4 POLE MOTORS	2011-01-17
15, 16, 17A, 18A	R00044	5.4 MPH HEAVY DUTY DRIVE MOTOR FOR MWD LH	2008-04-30
15, 16, 17A, 18B	R00043	5.4 MPH HEAVY DUTY DRIVE MOTOR FOR MWD RH	2008-04-30
17A	S-0013	STANDARD DRIVE WHEEL HUB KIT	2015-08-01
17B	S-0031	14 IN X 4 IN DRIVE WHEEL HUB KIT	2015-08-01
19A	S-0047	BRAKE ROD KIT FOR G2 MWD LH	2015-08-01
19B	S-0046	BRAKE ROD KIT FOR G2 MWD RH	2015-08-01
20A	S-0054-XXX*	FRONT G2 MWD SUSPENSION ARM LH	2015-08-01
20B	S-0053-XXX*	FRONT G2 MWD SUSPENSION ARM RH	2015-08-01
21, 23-27	S-0035	BUSHING KIT FOR CASTER FORKS	2015-12-30
22	A10193	6 IN AND 8 IN CASTER FORK FOR MWD	2015-02-26
27	K00058	CASTER FORK HUB DUST COVER	2015-08-01
28	S-0045	KIT FOR G2 HD GP24 BATTERY COMPARTEMENT	2015-08-01
NOT SHOWN	S-0033	SERVICE KIT FOR PIVOT POINTS, MWD	2012-03-21
NOT SHOWN	S-0063	HARDWARE KIT FOR DRIVE MOTOR	2008-04-30

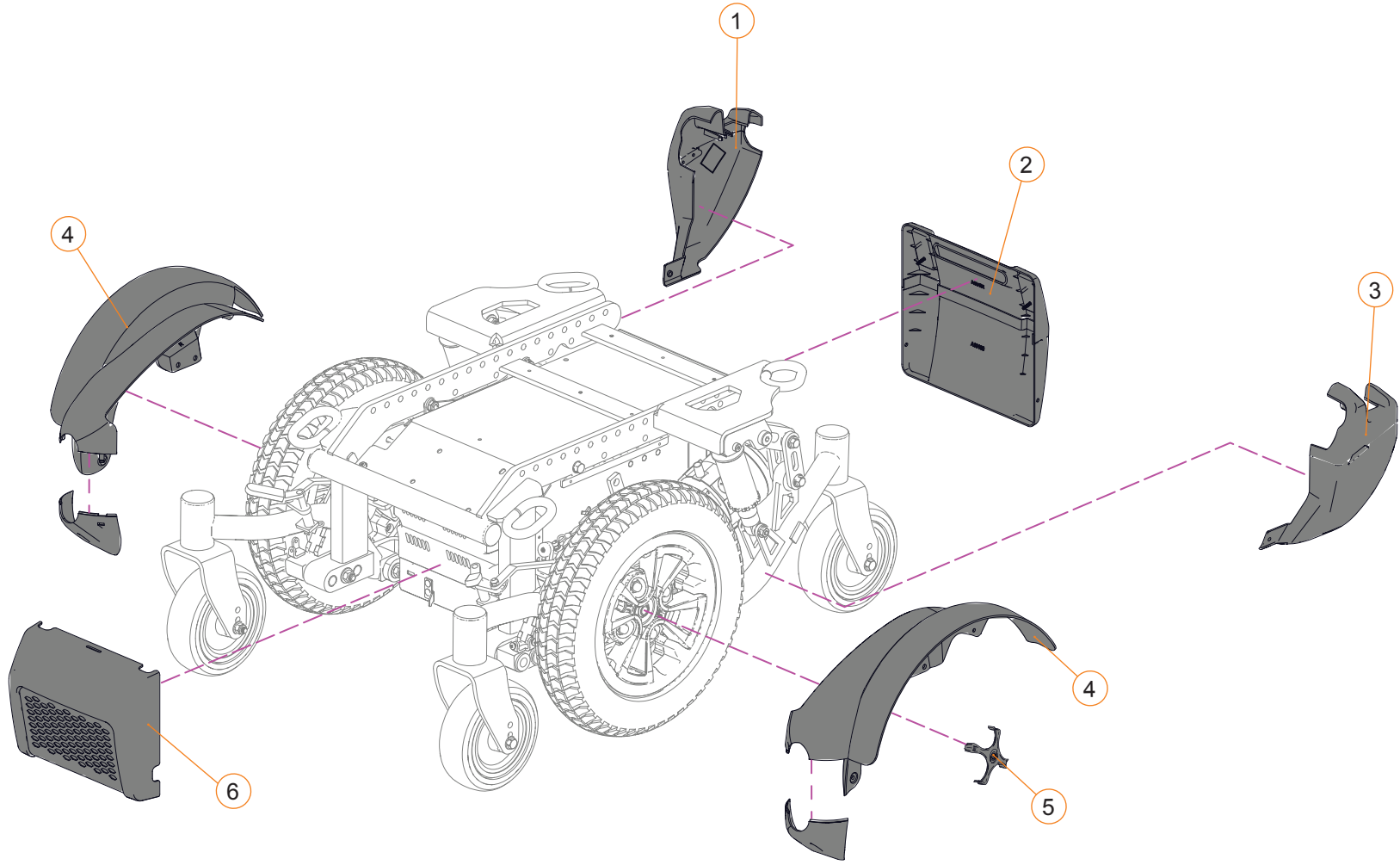
*COLOR CODES (ADD SUFFIX TO CONFIRM REQUIRED COLOR (EX: S-XXXX-BAO))	
CODES	DESCRIPTION
PRISMA	BLACK PRISMACOLOR FRAME COLOR
BAO	BLACK OPAL METALLIC FRAME COLOR
BOR	BURNT ORANGE METALLIC FRAME COLOR
CBU	CANDY BLUE FRAME COLOR
CRE	CANDY RED FRAME COLOR
GMC	GUN METAL FRAME COLOR
MLP	MIDNIGHT PURPLE FRAME COLOR
MWT	MATTE WHITE FRAME COLOR
BLK	BLACK (GLOSS) FRAME COLOR
MYG	MILITARY GREEN FRAME COLOR
MYT	MILITARY TAN FRAME COLOR
OPM	SPARKLE ORANGE FRAME COLOR
PKP	PEARL PINK FRAME COLOR
RZB	RAZZLEBERRY FRAME COLOR
SBM	MATTE BLACK FRAME COLOR
SVM	SILVER METALLIC FRAME COLOR



G2 MID WHEEL POWER BASE, WITH BREAK RELEASE MOTOR SRG01			
ITEM #	PART #	DESCRIPTION	EFFECTIVE
1-6	1004390	LINK KIT, MID	2023-01-01
7-14	S-0052	KIT, SHOCK ASS'Y, 350 LB*IN, FIRM	2015-08-01
15A	S-0056-XXX*	REAR G2 MWD SUSPENSION ARM LH	2017-07-13
15B	S-0055-XXX*	REAR G2 MWD SUSPENSION ARM RH	2017-07-13
16	A10193	6 IN AND 8 IN CASTER FORK FOR MWD	2015-02-26
17	1004418	BRAKE LEVER, SRG-01 MOTOR	2023-03-13
18-19	1004420	BRUSH KIT WITH CAPS FOR 4 POLE MOTORS, SRG-01	2023-03-29
17-19, 20A, 21A	1002459	4 POLE DRIVE MOTOR SRG-01, 5.4 MPH, R-RH / M-LH	2021-01-04
17-19, 20A, 21B	1002460	4 POLE DRIVE MOTOR SRG-01, 5.4 MPH, R-LH / M-RH	2021-01-04
20A	S-0013	STANDARD DRIVE WHEEL HUB KIT	2015-08-01
20B	S-0031	14 IN X 4 IN DRIVE WHEEL HUB KIT	2015-08-01
22	A10193	6 IN AND 8 IN CASTER FORK FOR MWD	2015-02-26
23, 25-29	S-0035	BUSHING KIT FOR CASTER FORKS	2015-12-30
24A	S-0054-XXX*	FRONT G2 MWD SUSPENSION ARM LH	2015-08-01
24B	S-0053-XXX*	FRONT G2 MWD SUSPENSION ARM RH	2015-08-01
29	K00058	CASTER FORK HUB DUST COVER	2015-08-01
30	S-0045	KIT FOR G2 HD GP24 BATTERY COMPARTEMENT	2015-08-01
NOT SHOWN	S-0033	SERVICE KIT FOR PIVOT POINTS, MWD	2015-11-17

*COLOR CODES (ADD SUFFIX TO CONFIRM REQUIRED COLOR (EX: S-XXXX-BAO))	
CODES	DESCRIPTION
PRISMA	BLACK PRISMACOLOR FRAME COLOR
BAO	BLACK OPAL METALLIC FRAME COLOR
BOR	BURNT ORANGE METALLIC FRAME COLOR
CBU	CANDY BLUE FRAME COLOR
CRE	CANDY RED FRAME COLOR
GMC	GUN METAL FRAME COLOR
MLP	MIDNIGHT PURPLE FRAME COLOR
MWT	MATTE WHITE FRAME COLOR
BLK	BLACK (GLOSS) FRAME COLOR
MYG	MILITARY GREEN FRAME COLOR
MYT	MILITARY TAN FRAME COLOR
OPM	SPARKLE ORANGE FRAME COLOR
PKP	PEARL PINK FRAME COLOR
RZB	RAZZLEBERRY FRAME COLOR
SBM	MATTE BLACK FRAME COLOR
SVM	SILVER METALLIC FRAME COLOR

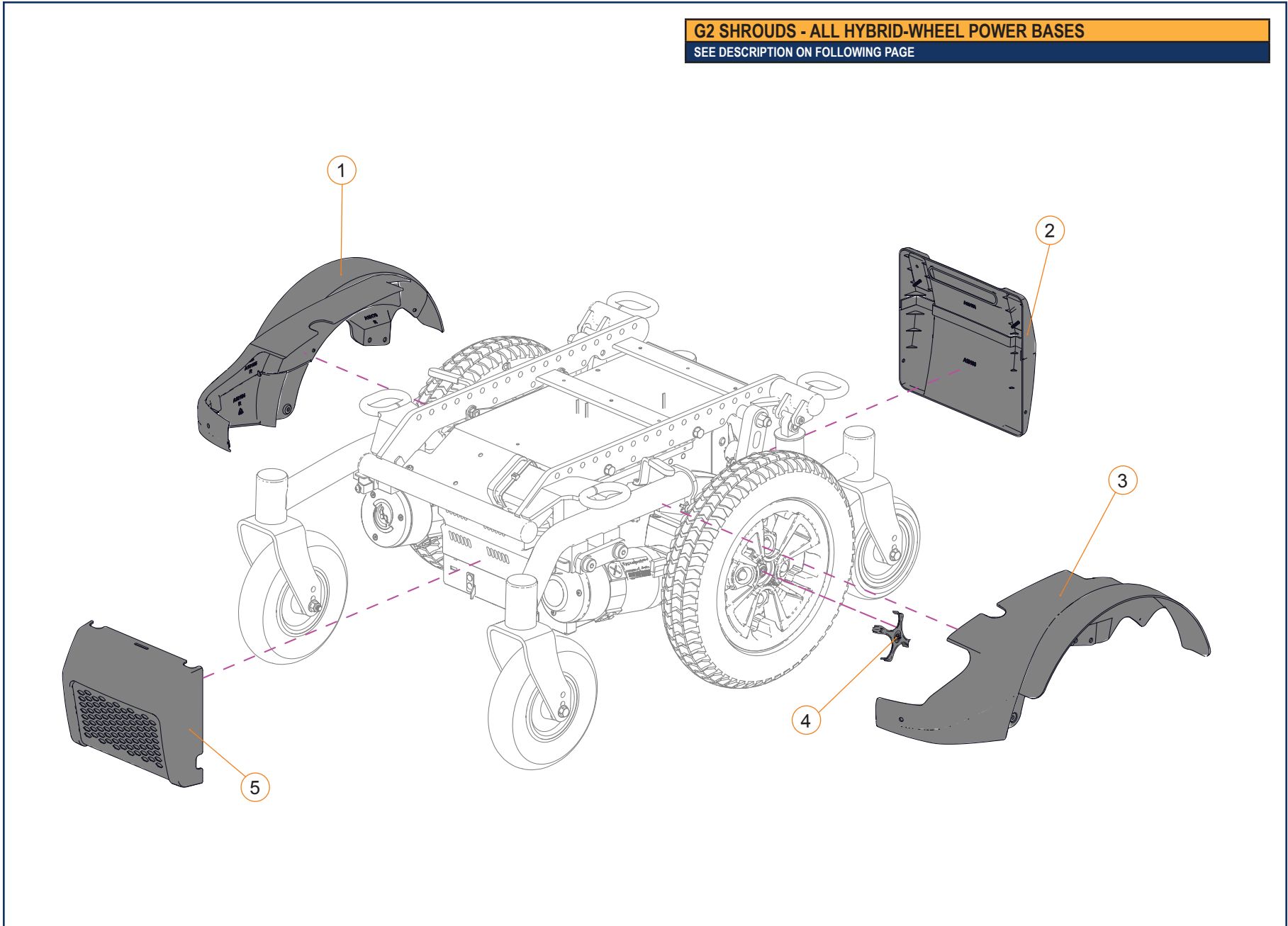
**G2 SHROUDS - ALL MID-WHEEL POWER BASES**  
SEE DESCRIPTION ON FOLLOWING PAGE



G2 SHROUDS - ALL MID-WHEEL POWER BASES			
ITEM #	PART #	DESCRIPTION	EFFECTIVE
1	1004445-XXX*	KIT, REAR RIGHT SHROUD, MID	2023-10-21
2	1004446-XXX*	KIT, REAR BATTERY ACCESS DOOR	2023-10-21
3	1004447-XXX*	KIT, REAR LEFT SHROUD, MID	2023-10-21
4	1004448-XXX*	KIT, SIDE SHROUDS W/ FENDER, MID	2023-10-21
5	1004449-XXX*	PAINTED WHEEL TRIM	2023-10-21
6	1004450-XXX*	KIT, FRONT COVER W/ GRILL	2023-10-21

*COLOR CODES (ADD SUFFIX TO CONFIRM REQUIRED COLOR (EX: XXXXXX-BGM))	
CODES	DESCRIPTION
BGM	BUBBLE GUM METALLIC
CAB	CABERNET
CRE	CANDY RED
HCH	CARBON FIBER HYDROGRAPHIC
CTB	COBALT BLUE
HDD	DESERT DIGITAL CAMO HYDROGRAPHIC
HAB	HABANERO METALLIC
IOB	INDIGO BLUE
OBM	ONYX BLACK MATTE
LIM	SUBLIME
HWL	WOODLAND CAMO HYDROGRAPHIC

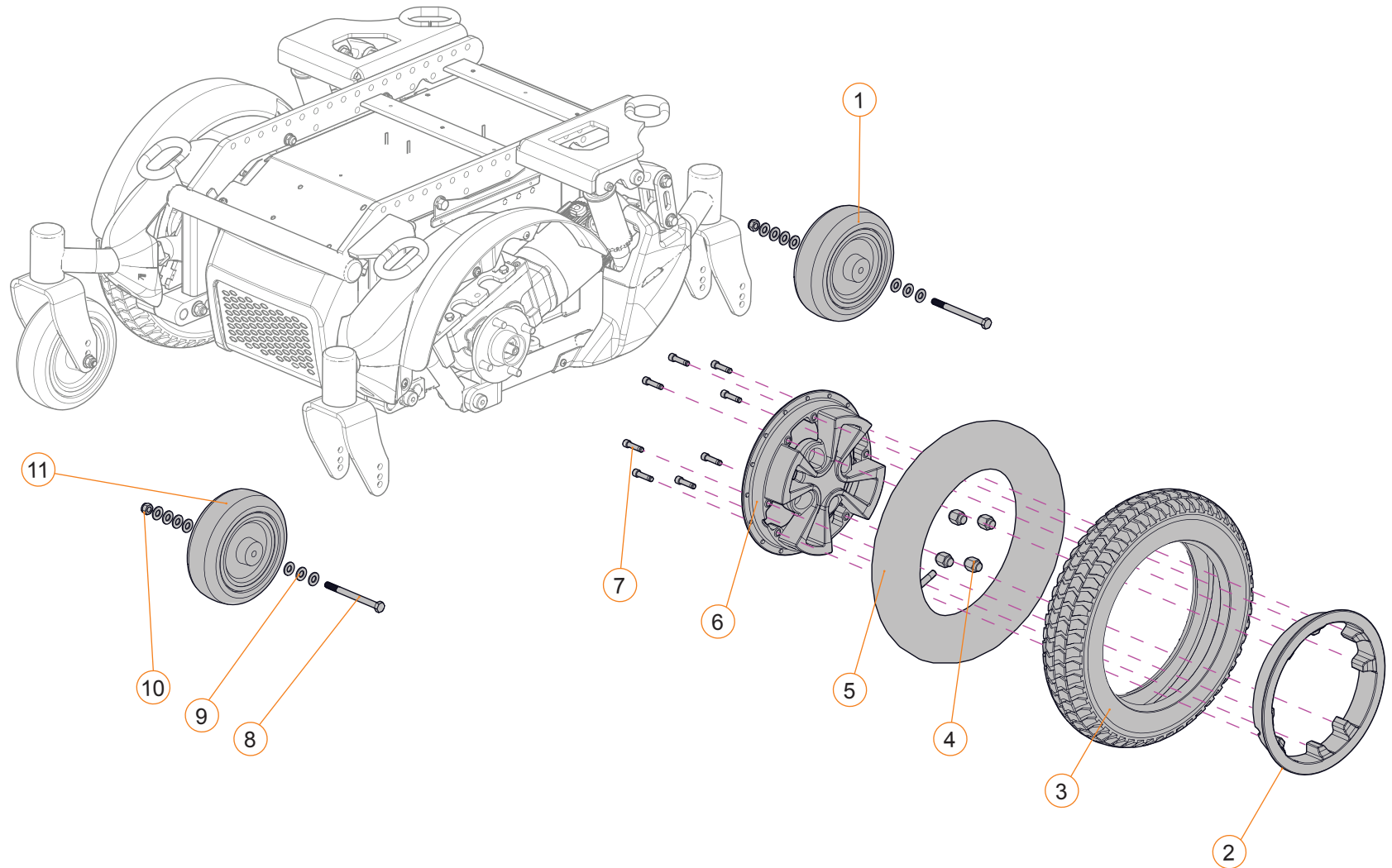
**G2 SHROUDS - ALL HYBRID-WHEEL POWER BASES**  
SEE DESCRIPTION ON FOLLOWING PAGE



G2 SHROUDS - ALL HYBRID-WHEEL POWER BASES			
ITEM #	PART #	DESCRIPTION	EFFECTIVE
1	1004451-XXX*	KIT, RIGHT SHROUD W/ FENDER, HYBRID	2023-10-21
2	1004446-XXX*	KIT, REAR BATTERY ACCESS DOOR	2023-10-21
3	1004452-XXX*	KIT, LEFT SHROUD W/ FENDER, HYBRID	2023-10-21
4	1004449-XXX*	PAINTED WHEEL TRIM	2023-10-21
5	1004450-XXX*	KIT, FRONT COVER W/ GRILL	2023-10-21

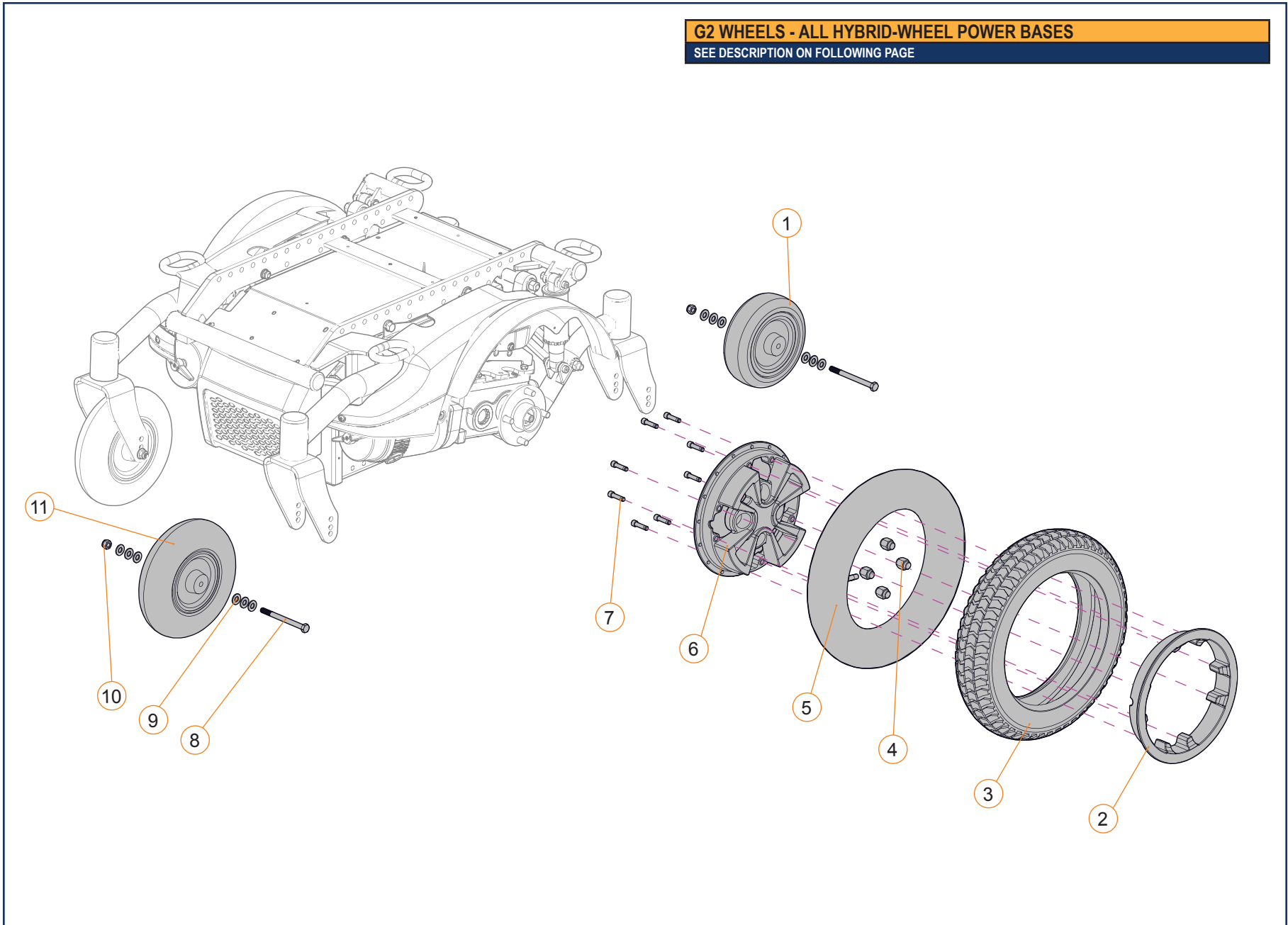
*COLOR CODES (ADD SUFFIX TO CONFIRM REQUIRED COLOR (EX: XXXXXX-BGM))	
CODES	DESCRIPTION
BGM	BUBBLE GUM METALLIC
CAB	CABERNET
CRE	CANDY RED
HCH	CARBON FIBER HYDROGRAPHIC
CTB	COBALT BLUE
HDD	DESERT DIGITAL CAMO HYDROGRAPHIC
HAB	HABANERO METALLIC
IOB	INDIGO BLUE
OBM	ONYX BLACK MATTE
LIM	SUBLIME
HWL	WOODLAND CAMO HYDROGRAPHIC

**G2 WHEELS - ALL MID-WHEEL POWER BASES**  
SEE DESCRIPTION ON FOLLOWING PAGE



G2 WHEELS - ALL MID-WHEEL POWER BASES							
ITEM #	PART #	DESCRIPTION	EFFECTIVE	ITEM #	PART #	DESCRIPTION	EFFECTIVE
1A	J00024	GRAY 6 IN X 2 IN SOLID CASTER WHEEL	2017-10-17	4	GP-200135	CONICAL LUG NUT	2020-03-19
1B	J00049	BLACK 6 IN X 2 IN SOLID CASTER WHEEL	2017-10-17	5A	GP-384736	12,5 IN X 2,25 IN DRIVE WHEEL INNER PNEUMATIC TUBE	2008-09-08
2A, 6A, 7A	C-10295	12 IN AND 14 IN DRIVE WHEEL RIM ASSEMBLY	2015-04-08	5B	GP-384739	14 IN X 3 IN DRIVE WHEEL INNER PNEUMATIC TUBE	2011-09-06
2B, 6B, 7B	C-10228	14 IN X 4 IN DRIVE WHEEL RIM ASSEMBLY	2014-09-04	5C	J00029	14 IN X 4 IN DRIVE WHEEL INNER PNEUMATIC TUBE	2013-09-19
2A, 3E, 5B, 6A, 7A	C-10229	ASSEMBLY, 14 X 3 WHEEL, PNEUMATIC GRAY	2015-04-08	8,9,10	S-0064	6 IN AND 8 IN CASTER AXLE KIT	2017-07-13
2A, 3F, 6A, 7A	C-10230	ASSEMBLY, 14 X 3 WHEEL, FOAM FILLED GRAY	2015-04-08	11A	J00024	GRAY 6 IN X 2 IN SOLID CASTER WHEEL	2017-10-17
2A, 3G, 5B, 6A, 7A	C-10340	ASSEMBLY, 14 X 3 WHEEL, PNEUMATIC, BLACK	2021-04-12	11B	J00049	BLACK 6 IN X 2 IN SOLID CASTER WHEEL	2017-10-17
2A, 3H, 6A, 7A	C-10341	ASSEMBLY, 14 X 3 WHEEL, FOAM FILLED, BLACK	2021-04-12	11C	GP-400700	GRAY 8 IN X 2 IN PNEUMATIC CASTER WHEEL	2008-09-08
3A	GP-384706	GRAY 12 IN X 2 IN PNEUMATIC KNOBBY DRIVE TIRE	2008-09-08	11D	J00050	BLACK 8 IN X 2 IN PNEUMATIC CASTER WHEEL	2016-08-12
3B	J00057	GRAY 12 IN X 2 IN FOAM FILLED KNOBBY DRIVE TIRE	2017-05-17	11E	GP-400702	GRAY 8 IN X 2 IN FOAM FILLED CASTER WHEEL	2008-09-08
3C	J00043	BLACK 12 IN X 2 IN PNEUMATIC KNOBBY DRIVE TIRE	2016-08-12	11F	J00051	BLACK 8 IN X 2 IN FOAM FILLED CASTER WHEEL	2016-08-12
3D	J00044	BLACK 12 IN X 2 IN FOAM FILLED KNOBBY DRIVE TIRE	2017-05-17				
3E	GP-384709	GRAY 14 IN X 3 IN PNEUMATIC KNOBBY DRIVE TIRE	2011-09-06				
3F	GP-5808003	GRAY 14 IN X 3 IN FOAM FILLED KNOBBY DRIVE TIRE	2013-11-06				
3G	J00045	BLACK 14 IN X 3 IN PNEUMATIC KNOBBY DRIVE TIRE	2016-08-12				
3H	J00046	BLACK 14 IN X 3 IN FOAM FILLED KNOBBY DRIVE TIRE	2017-12-19				
3I	J00028	GRAY 14 IN X 4 IN PNEUMATIC KNOBBY DRIVE TIRE	2013-09-19				
3K	J00047	BLACK 14 IN X 4 IN PNEUMATIC KNOBBY DRIVE TIRE	2016-08-12				
3L	J00048	BLACK 14 IN X 4 IN FOAM FILLED KNOBBY DRIVE TIRE	2016-08-12				

**G2 WHEELS - ALL HYBRID-WHEEL POWER BASES**  
SEE DESCRIPTION ON FOLLOWING PAGE



G2 WHEELS - ALL HYBRID-WHEEL POWER BASES							
ITEM #	PART #	DESCRIPTION	EFFECTIVE	ITEM #	PART #	DESCRIPTION	EFFECTIVE
1A	J00024	GRAY 6 IN X 2 IN SOLID CASTER WHEEL	2017-10-17	4	GP-200135	CONICAL LUG NUT	2020-03-19
1B	J00049	BLACK 6 IN X 2 IN SOLID CASTER WHEEL	2017-10-17	5A	GP-384736	12,5 x 2,25 IN DRIVE WHEEL PNEUM INNER TUBE	2008-09-08
2A, 6A, 7A	C-10295	12 IN AND 14 IN DRIVE WHEEL RIM ASSEMBLY	2015-04-08	5B	GP-384739	14 IN X 3 IN DRIVE WHEEL INNER PNEUMATIC TUBE	2011-09-06
2B, 6B, 7B	C-10228	14 IN X 4 IN DRIVE WHEEL RIM ASSEMBLY	2014-09-04	5C	J00029	14 IN X 4 IN DRIVE WHEEL INNER PNEUMATIC TUBE	2013-09-19
2A, 3E, 5B, 6A, 7A	C-10229	ASSEMBLY, 14 X 3 WHEEL, PNEUMATIC INSERT	2015-04-08	8A, 9, 10	S-0064	6 IN AND 8 IN CASTER AXLE KIT	2017-07-13
2A, 3F, 6A, 7A	C-10230	ASSEMBLY, 14 X 3 WHEEL, FOAM FILLED GRAY	2015-04-08	8B, 9, 10	S-0065	9 IN CASTER AXLE KIT	2017-07-13
2A, 3G, 5B, 6A, 7A	C-10340	ASSEMBLY, 14 X 3 WHEEL, PNEUMATIC, BLACK	2021-04-12	11A	GP-400700	GRAY 8 IN X 2 IN PNEUMATIC CASTER WHEEL	2008-09-08
2A, 3H, 6A, 7A	C-10341	ASSEMBLY, 14 X 3 WHEEL, FOAM FILLED, BLACK	2021-04-12	11B	J00050	BLACK 8 IN X 2 IN PNEUMATIC CASTER WHEEL	2016-08-12
3A	GP-384706	GRAY 12 IN X 2 IN PNEUMATIC KNOBBY DRIVE TIRE	2008-09-08	11C	GP-400702	GRAY 8 IN X 2 IN FOAM FILLED CASTER WHEEL	2008-09-08
3B	J00057	GRAY 12 IN X 2 IN FOAM FILLED KNOBBY DRIVE TIRE	2017-05-17	11D	J00051	BLACK 8 IN X 2 IN FOAM FILLED CASTER WHEEL	2016-08-12
3C	J00043	BLACK 12 IN X 2 IN PNEUMATIC KNOBBY DRIVE TIRE	2016-08-12	11E	GP-400750	GRAY 9 IN X 3 IN PNEUMATIC CASTER WHEEL	2008-09-08
3D	J00044	BLACK 12 IN X 2 IN FOAM FILLED KNOBBY DRIVE TIRE	2017-05-17	11F	J00053	BLACK 9 IN X 3 IN PNEUMATIC CASTER WHEEL	2017-12-18
3E	GP-384709	GRAY 14 IN X 3 IN PNEUMATIC KNOBBY DRIVE TIRE	2011-09-06	11G	GP-400751	GRAY 9 IN X 3 IN FOAM FILLED CASTER WHEEL	2008-09-12
3F	GP-5808003	GRAY 14 IN X 3 IN FOAM FILLED KNOBBY DRIVE TIRE	2013-11-06	11H	J00054	BLACK 9 IN X 3 IN FOAM FILLED CASTER WHEEL	2017-12-18
3G	J00045	BLACK 14 IN X 3 IN PNEUMATIC KNOBBY DRIVE TIRE	2016-08-12				
3H	J00046	BLACK 14 IN X 3 IN FOAM FILLED KNOBBY DRIVE TIRE	2016-08-12				
3I	J00028	GRAY 14 IN X 4 IN PNEUMATIC KNOBBY DRIVE TIRE	2013-09-19				
3K	J00047	BLACK 14 IN X 4 IN PNEUMATIC KNOBBY DRIVE TIRE	2016-08-12				
3L	J00048	BLACK 14 IN X 4 IN FOAM FILLED KNOBBY DRIVE TIRE	2016-08-12				
3M	J00030	GRAY 14INX4IN FOAM FILLED KNOBBY DRIVE TIRE (DISC.)	2021-04-06				