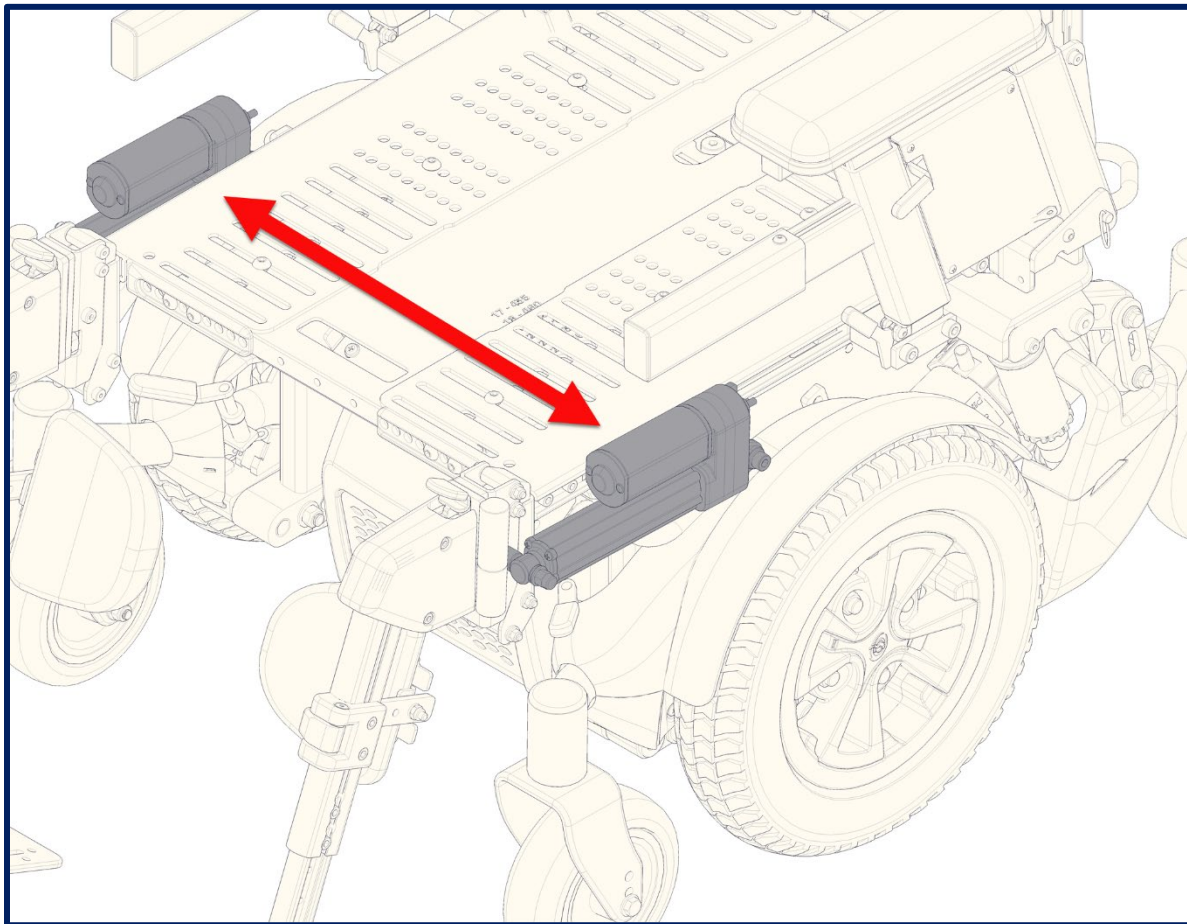


INSTRUCTION GUIDE

REPLACING ACTUATORS ON Power Elevating Articulating Legrests ADDPL



Replacing Actuators on Legrests (cont'd)

INTRODUCTION

This guide describes the procedure for replacing an actuator on power elevating articulating legrests. Follow the steps below carefully and refer to the associated illustrations to facilitate the procedure.

BEFORE STARTING

WARNINGS !

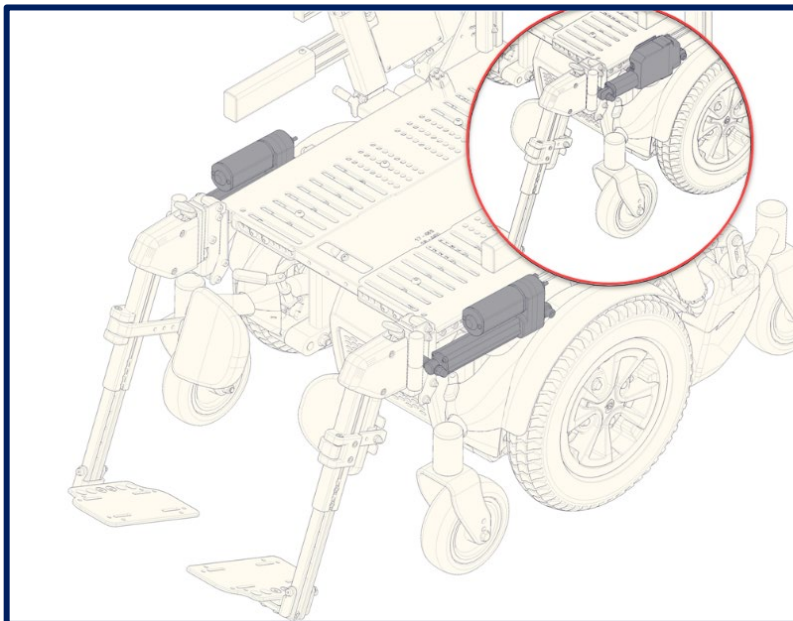
Before installation:

- Verify that the seat rail is not damaged.
- Ensure the new actuator is **fully retracted**.
- Verify that both legrest actuators are the **same model**.
- Pay close attention to **cable routing and the positioning of cable ties** to avoid pinching. Take a **photo of the wiring** before disconnecting the actuator to be replaced.
- Before securing the new actuator, **manually check the movement of the legrest** to ensure that no mechanical components are blocked, jammed, or obstructed

INSTRUCTIONS

1. Locate the actuator to be replaced

On the following illustration:

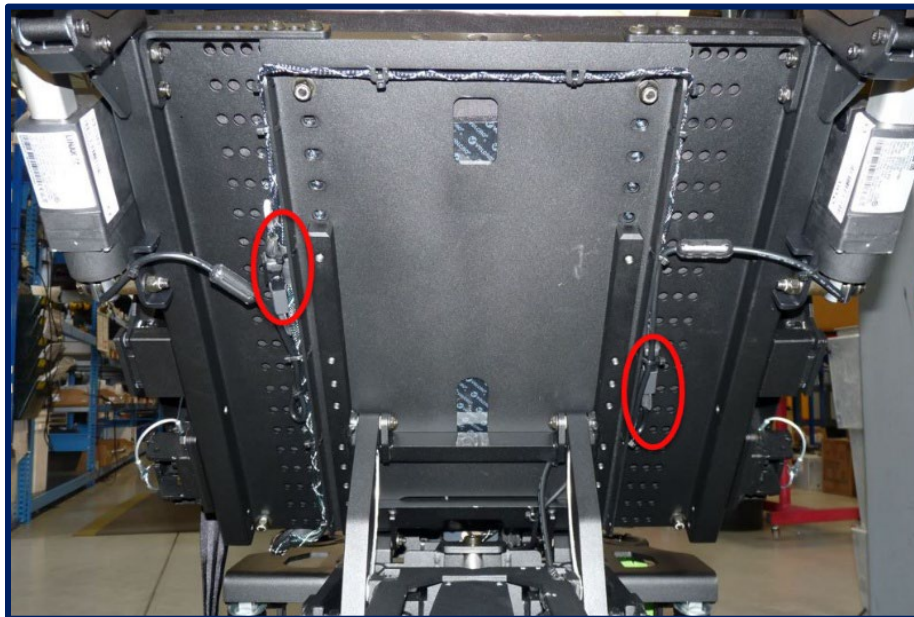


REMINDER : Before disconnecting the actuator, tilt the seat to access the wiring underneath, then take photos to ensure proper reconnection of the new actuator.

Replacing Actuators on Legrests (cont'd)

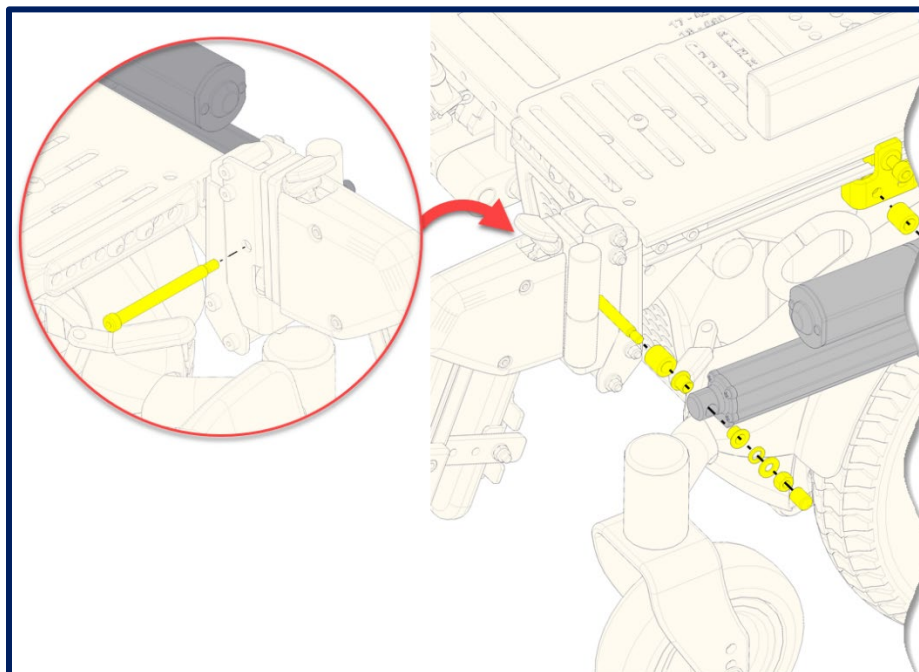
2. Disconnect the connector

Under the seat, locate and disconnect the connectors associated with the legrest actuators.



3. Remove the front actuator bolt assembly

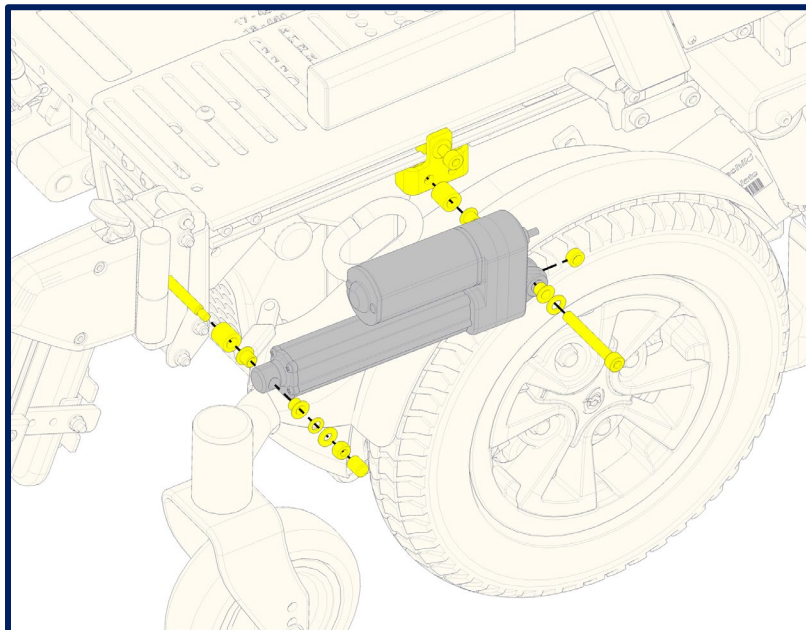
Using a 5/32 in Allen key and a 7/16 in open-end wrench, remove the bolt while ensuring the hardware remains in the same order.



Replacing Actuators on Legrests (cont'd)

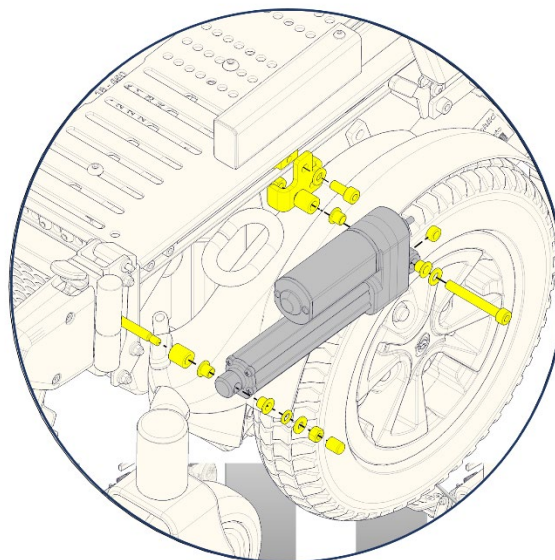
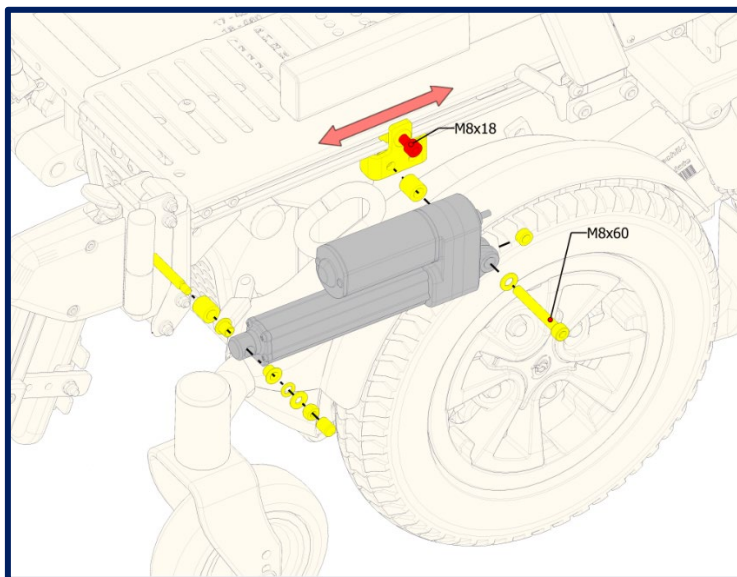
4. Remove the rear actuator bolt assembly

Using a 6 mm Allen key and a 13 mm open-end wrench, remove the bolt while ensuring the hardware remains in the same order.



5. Loosen the T-bracket screw

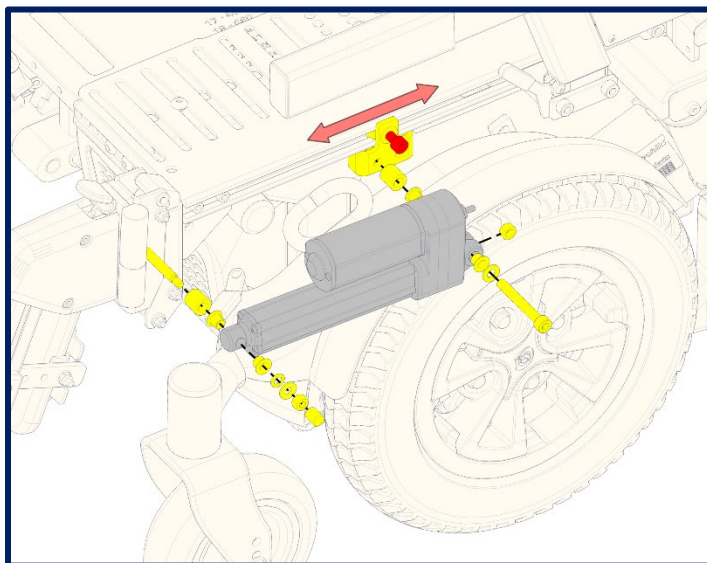
Using a 6 mm Allen key, loosen the screw (indicated in red) without removing it, while holding the back with a 13 mm open-end wrench. Adjust the position of the bracket during installation of the new actuator.



Replacing Actuators on Legrests (cont'd)

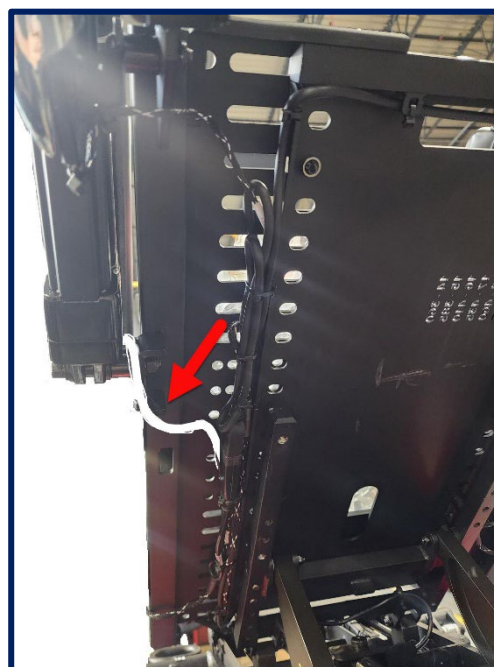
6. Install the new actuator

- Install the **FRONT** actuator bolt into its receptacle with the hardware in the same order as removed.
- Align the **REAR** actuator mounting point with the rear hole of the bracket. Insert the rear bolt without installing the nut at this time, then tighten the T-bracket screw (red) to properly secure the bracket.
- Install the nut on the rear bolt and fully tighten the bolt assembly.



7. Route the actuator cable

Make sure to route the actuator cable between the seat and the actuator. Secure the cable with a zip tie without pinching it, wrapping it around the open hole of the T-bracket. See the illustrations below.



Replacing Actuators on Legrests (cont'd)

8. Perform a functional test

To verify proper legrest operation, perform powered tests of the legrest.

