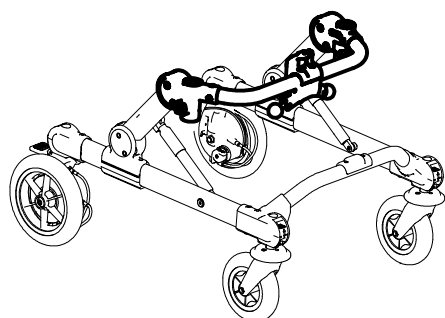
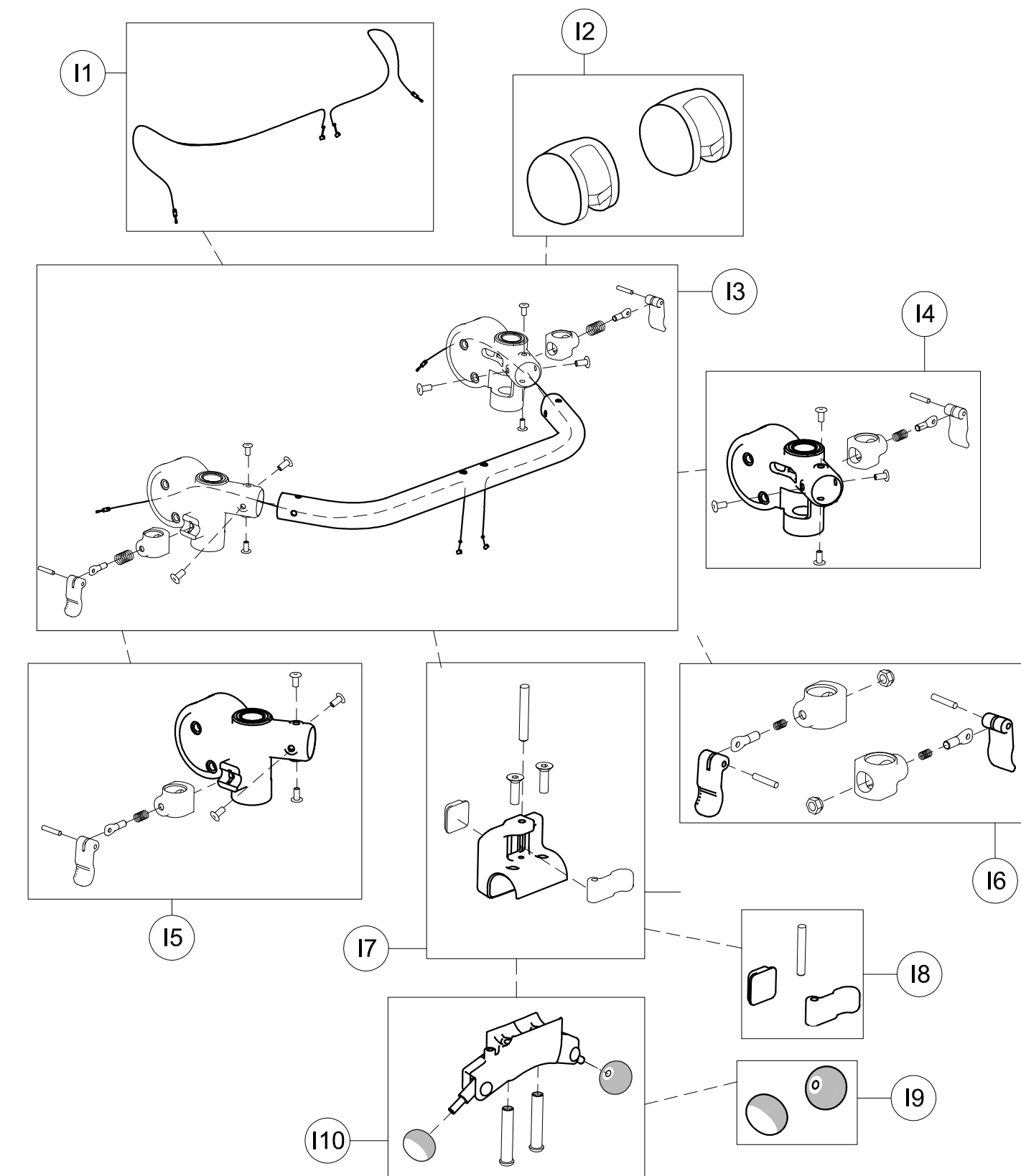


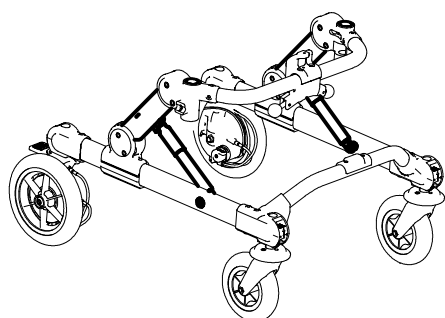
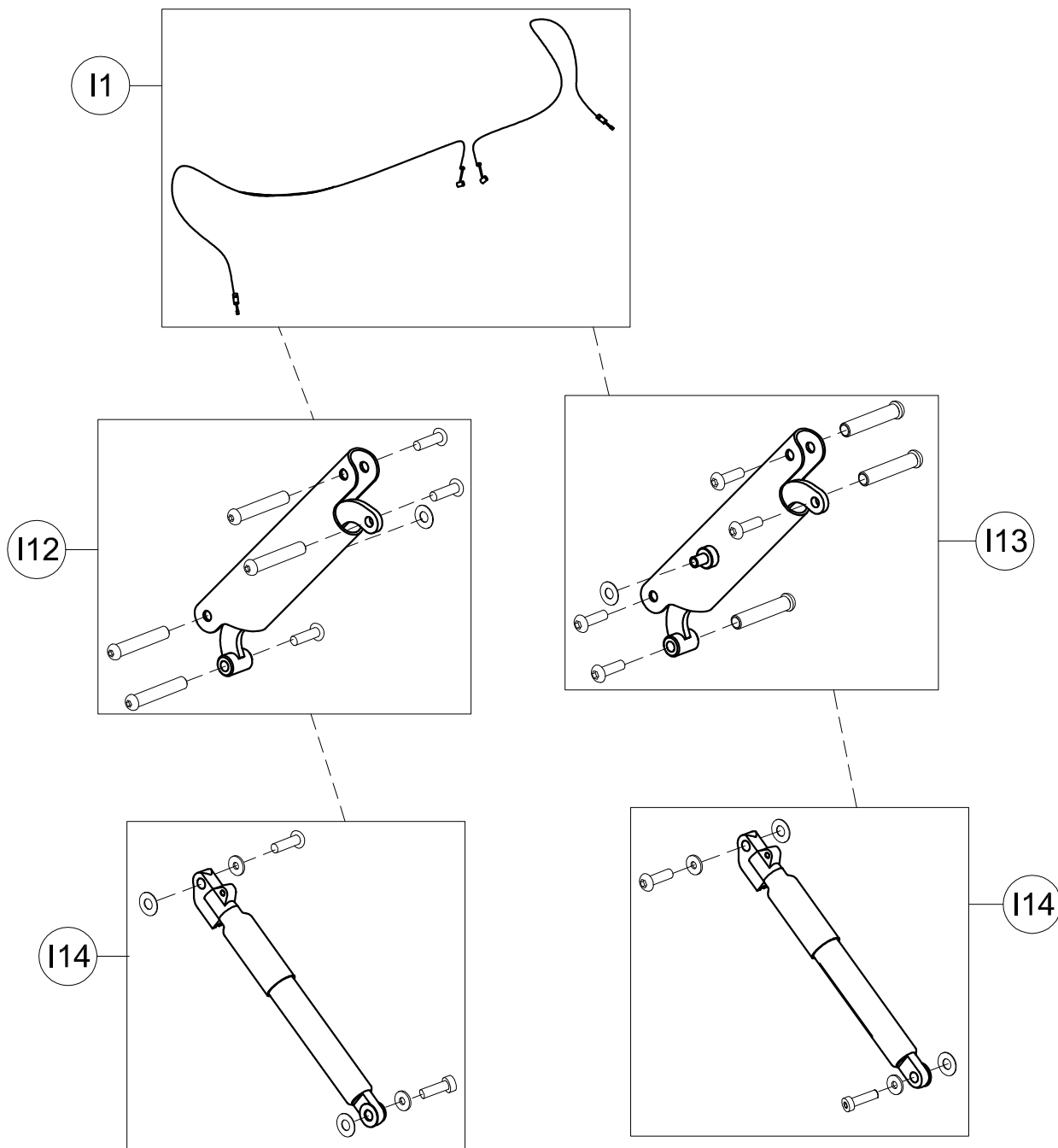
A	103617	809 ARM SUPPORTS
B	103629	943 ARM STRAPS
C	103618	927 REMOVABLE .GRIP HANDLES
D	103638	925 TRUNK SUPPORT
E	103631	930 PELVIC HARNESS
F	103634	924 PELVIC SUPPORT
G	102961	890-SC LEG DIVIDER
H	302842	CURVED BARS
I	303118	POSTERIOR FRAME (BASE + WHEELS)
J	103581	923 PUSH.HANDLEBAR FOR CARE GIVERS
K	303475	PAIR OF THE REAR WHEELS
POS.	PART NR.	DESCRIPTION

### Spare Parts POSTERIOR GRILLO mini



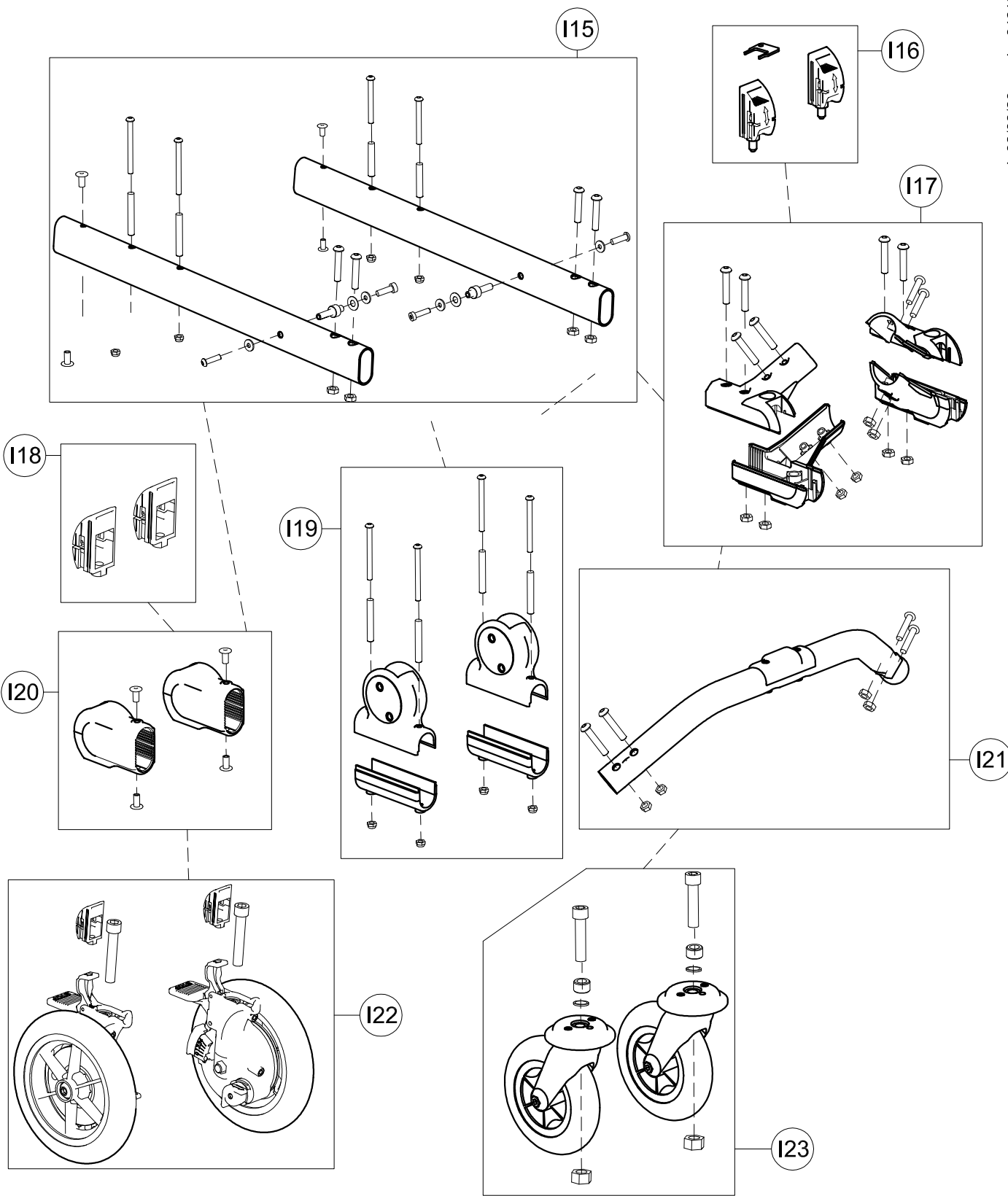
11	302701	PAIR OF HEIGHT ADJUST.CABLES
12	171486	HINGE UPHOLSTERY
13	302700	UPPER CROSSPIECE SUPPORT+SCREWS
14	303088	LEFT UPPER CROSSPIECE SUPPORT+LOCKING LEVER
15	303089	RIGHT UPPER CROSSPIECE SUPPORT+LOCKING LEVER
16	302288	SET OF LEVERS TO LOCK TRUNK SUPPORT VERTICALLY
17	302268	UPPER PELVIC BLOCK FIXING
18	301806	SET OF LEVERS TO LOCK PELVIC SUPP.VERTICALLY
19	301808	PAIR OF KNOBS FOR GAS SPRING
110	302823	OPERATING LEVER SUPPORT
POS.	PART NR.	DESCRIPTION

Spare Parts UPPER PART OF GRILLO BASE  
size mini

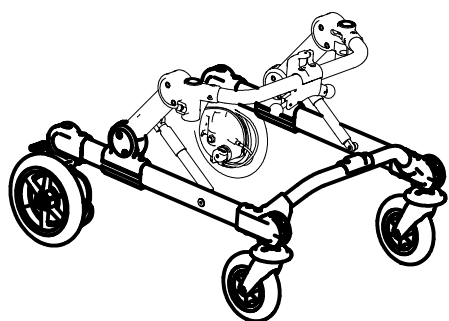


I1	302701	PAIR OF HEIGHT ADJUST.CABLES
I12	302702	COMPLETE RIGHT SIDE
I13	302703	COMPLETE LEFT SIDE
I14	302704	GAS SPRING
POS.	PART NR.	DESCRIPTION

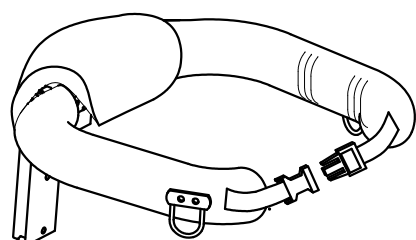
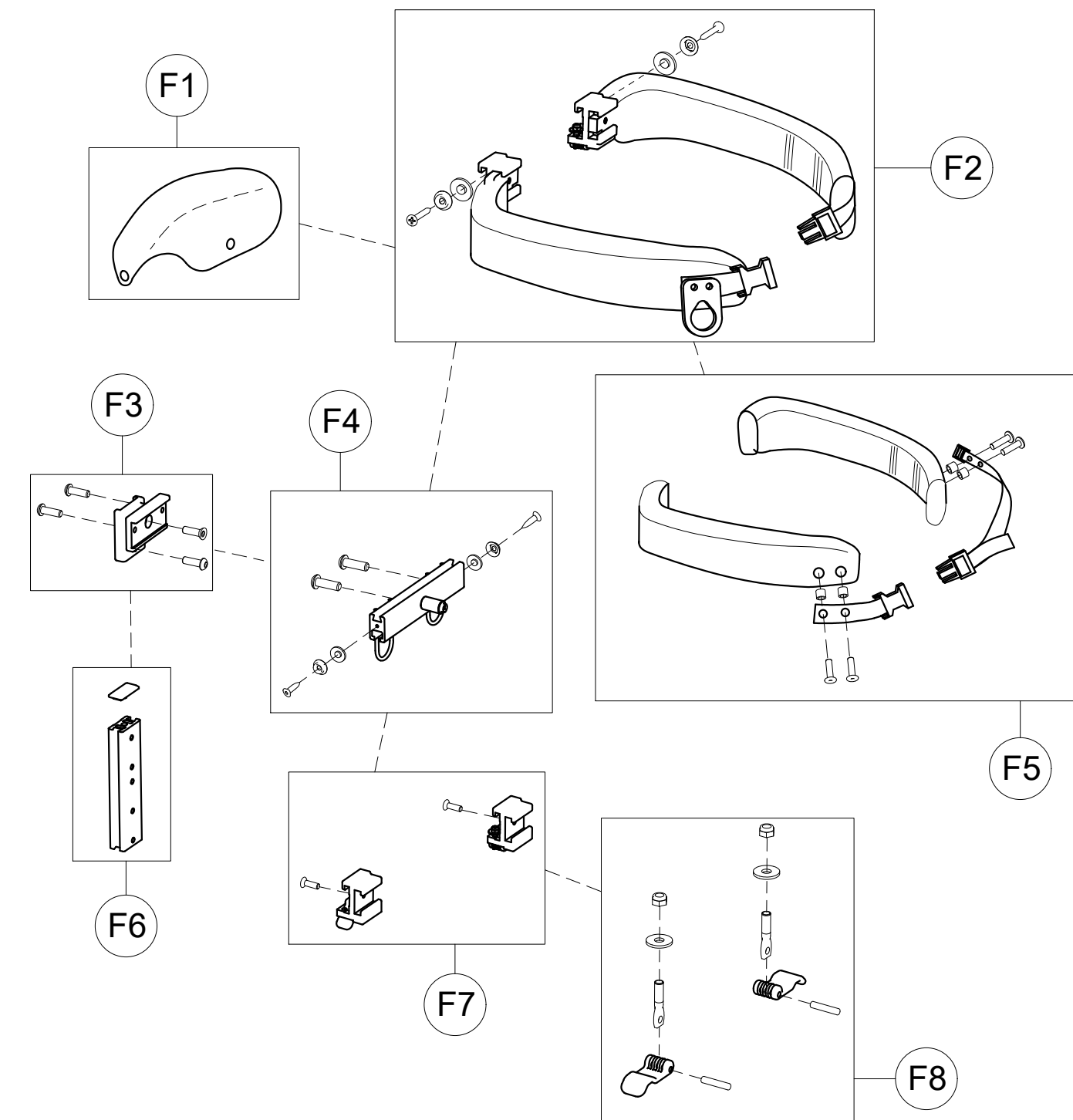
Spare Parts **CENTRAL PART OF GRILLO BASE**  
size mini



I15	303249	PAIR OF BASE SIDES
I16	302546	PAIR OF DIRECTION LOCKS
I17	303250	KIT OF LOWER CROSSPIECE SUPPORT
I18	303508	PAIR OF DIRECT.CAPS FOR WHEELS
I19	301812	PAIR OF UPPER/LOWER SUPPORTS OF SIDE
I20	303208	PAIR OF WHEEL SUPPORTS
I21	303251	LOWER CROSSPIECE+SCREWS
I22	303475	PAIR OF COMPLETE POSTERIOR WHEELS
I23	303385	PAIR OF COMPLETE FRONT WHEELS
POS.	PART NR.	DESCRIPTION



Spare Parts LOWER PART OF GRILLO BASE  
size mini



F1	160570P	CENTRAL PADDING FOR <b>GRILLO mini PT</b>
	171619	PELVIC CENTRAL UPHOLSTERY FOR <b>GRILLO mini PTM</b>
F2	303199	PAIR OF PELVIC HALF SUPPORT
F3	303226	PELVIC SUPPORT +SCREWS
F4	303098	PROFILE TO ADJUST PELVIC SUPPORT IN WIDTH + HOOKS
F5	303253	PAIR OF PELVIC PADDING + STRAPS AND RIVETS
F6	303099	PELVIC SUPPORT HEIGHT ADJUSTMENT
F7	302298	PAIR OF PROFILE TO SLIDE TRUNK SUPPORT
F8	301842	SET OF LEVERS FOR TRUNK SUPPORT WIDTH

POS. PART NR. DESCRIPTION

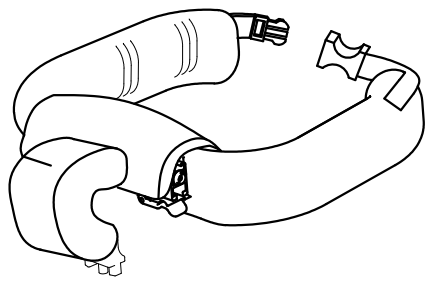
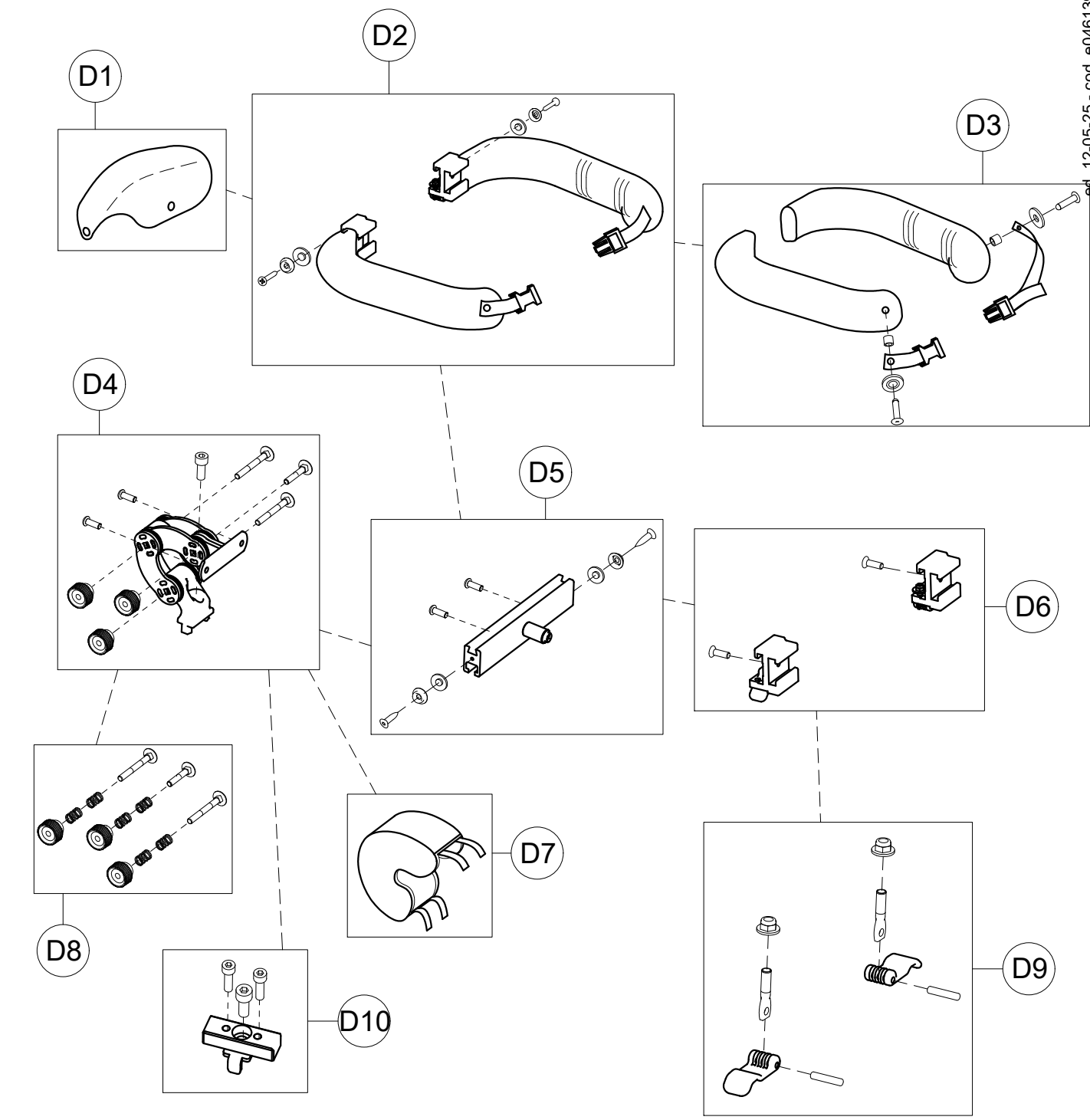
Spare Parts GRILLO PELVIC SUPPORT size mini

pag. 5

**ORMESA**

**GRILLO**

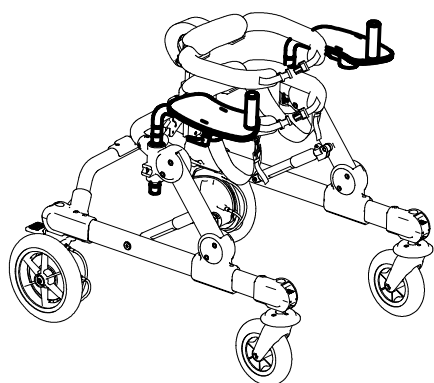
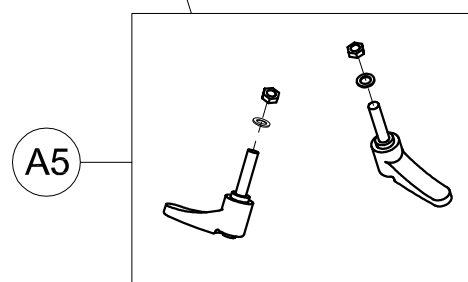
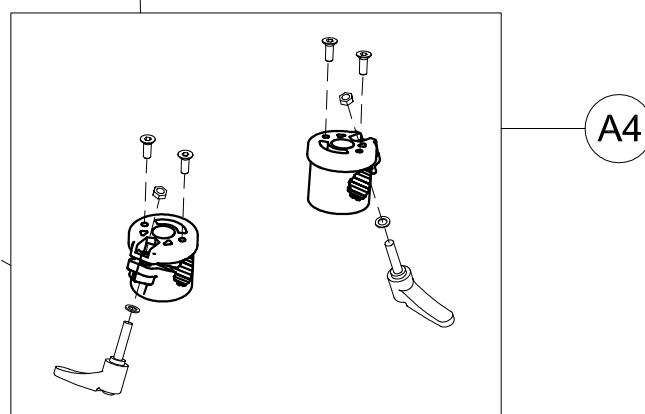
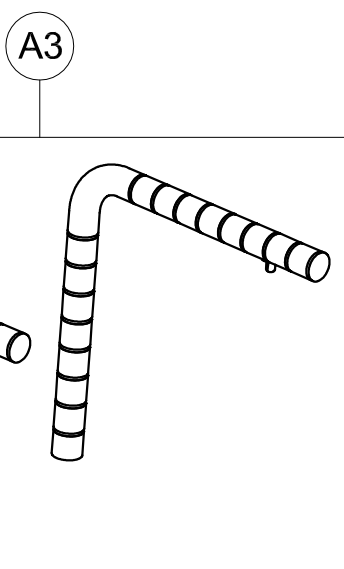
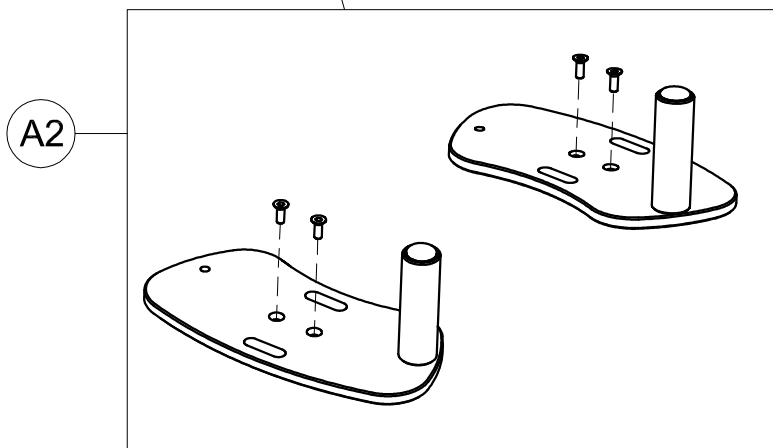
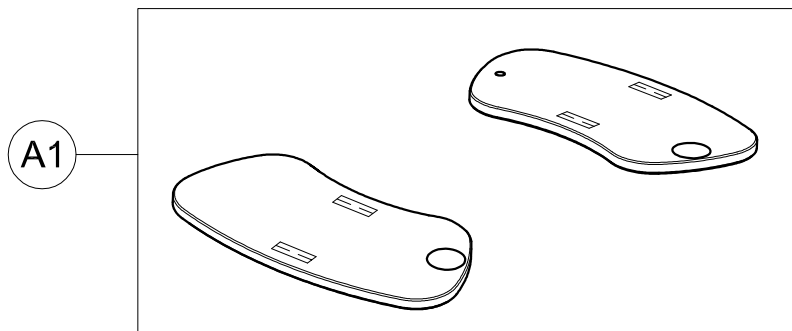
THIS DRAWING BELONGS TO ORMESA: IT IS FORBIDDEN TO REPRODUCE, CHANGE OR INFORM ANY THIRD PARTY ABOUT ITS CONTENTS



D1	160570P	CENTRAL PADDING
D2	303200	PAIR OF TRUNK HALF SUPPORT
D3	303254	PAIR OF TRUNK PADDING + STRAPS AND RIVETS
D4	303102	TRUNK ADJUSTMENT JOINT
D5	303103	PROFILE TO ADJUST TRUNK SUPPORT IN WIDTH
D6	302298	PAIR OF PROFILE TO SLIDE TRUNK SUPPORT
D7	171584	ADJUSTMENT JOINT UPHOLSTERY
D8	303104	KNOB KIT+ SCREWS
D9	301842	SET OF LEVERS FOR TRUNK SUPPORT WIDTH
D10	303195	TRAY/ACCESSORIES FIXING BLOCK + SCREWS

POS. PART NR. DESCRIPTION

Spare Parts GRILLO TRUNK SUPPORT size mini



A1	171585	ARM SUPPORT UPHOLSTERY
A2	303110	PAIR OF 809 TABLETS WITHOUT UPHOLSTERY
A3	302842	CURVED BARS
A4	303111	PAIR OF 809 SUPPORTS
A5	303108	PAIR OF M6X25 LEVERS +NUTS
POS.	PART NR.	DESCRIPTION

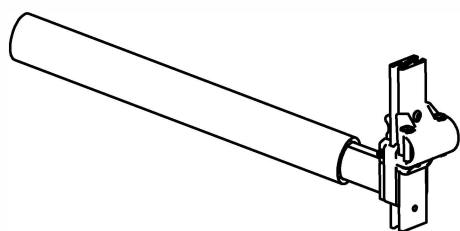
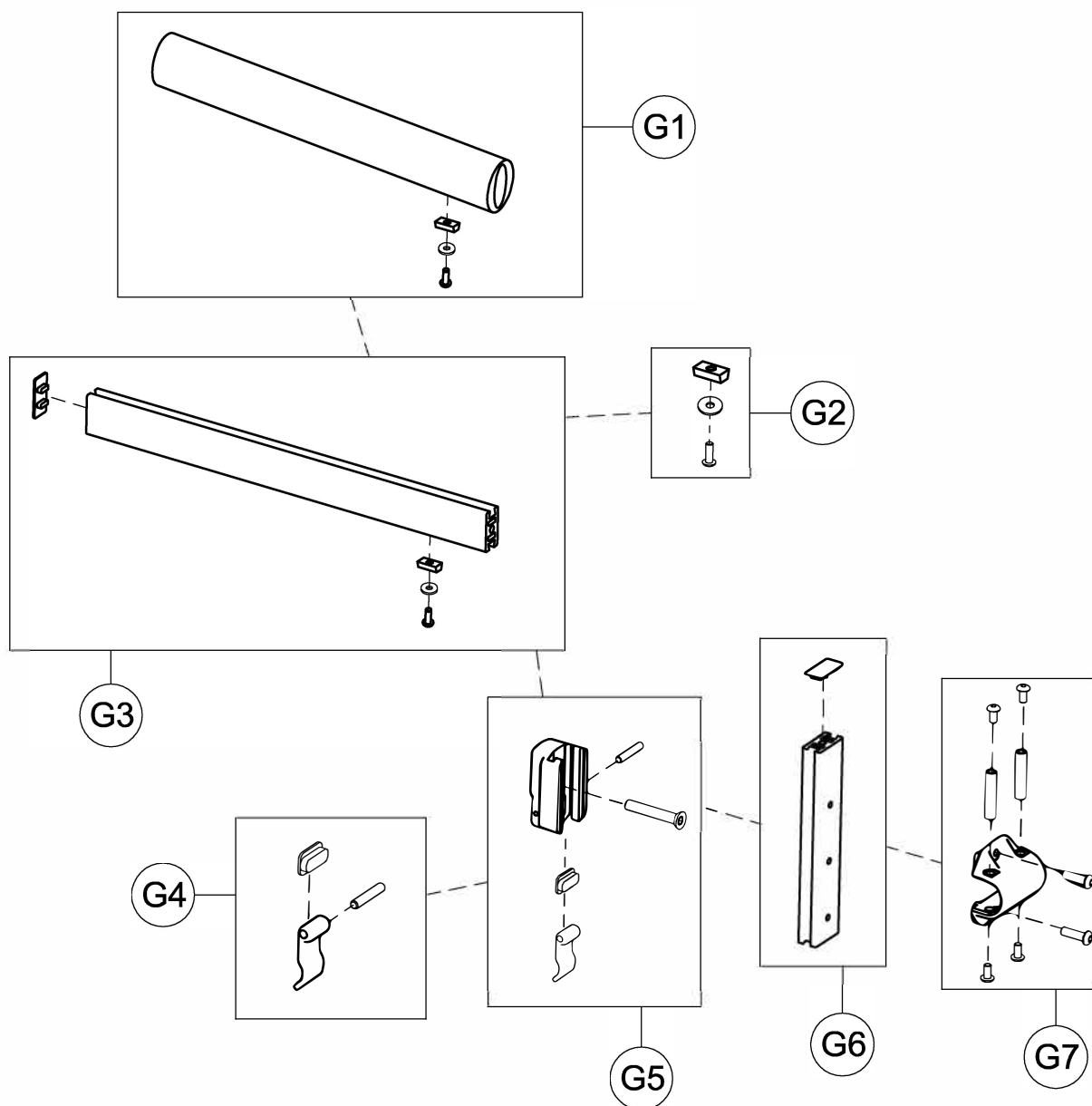
Spare Parts ARM SUPPORTS size mini

pag. 7

**ORMESA®**

**GRILLO**

THIS DRAWING BELONGS TO ORMESA: IT IS FORBIDDEN TO REPRODUCE, CHANGE OR INFORM ANY THIRD PARTY ABOUT ITS CONTENTS

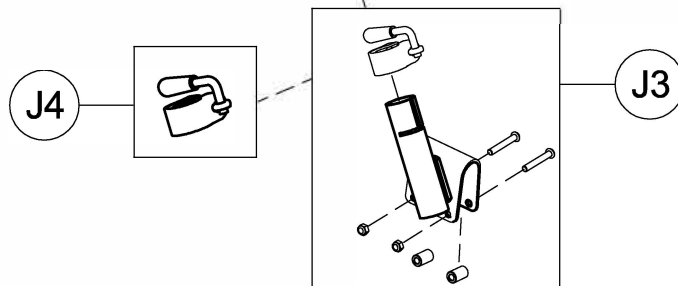
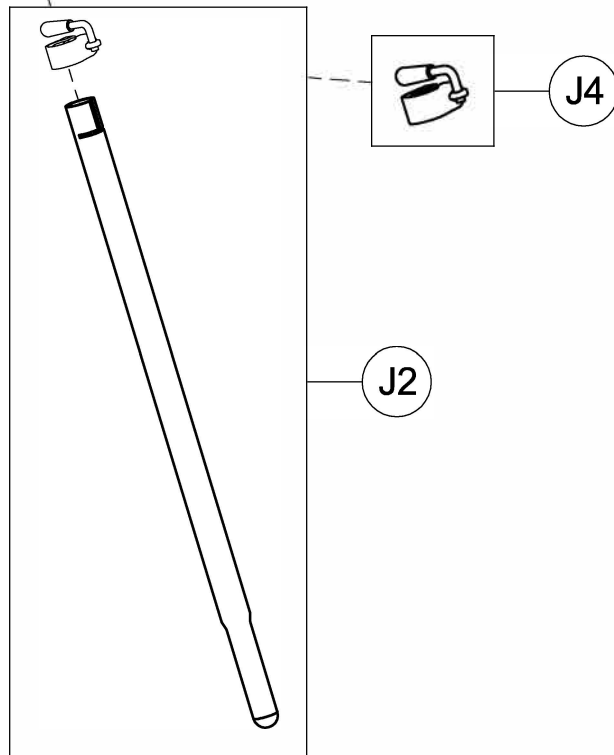
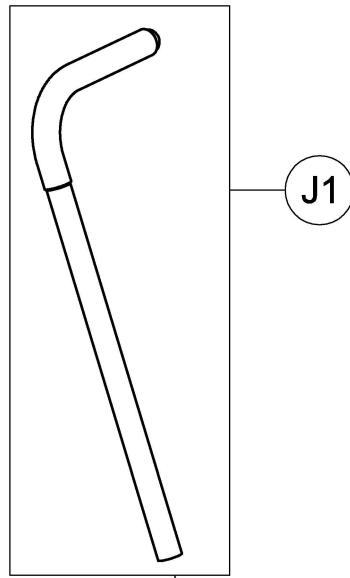
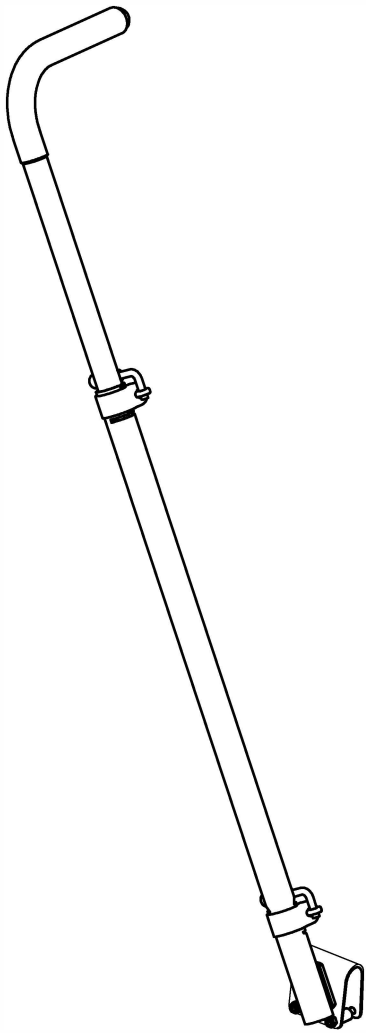


G1	303112	890 HORIZONTAL BAR UPHOLSTERY + SCREW
G2	302721	SET OF SCREWS FOR PADDED LOCK
G3	302720	HORIZONTAL BAR +CAP+ SCREWS
G4	301866	SET OF HEIGHT ADJUST. LEVER
G5	301862	890 FIXING BAR + LEVER AND SCREWS
G6	301863	890 VERTICAL BAR + CAP
G7	301865	FIXING LOCK 890 + SCREWS
POS.	PART NR.	DESCRIPTION

### Spare Parts LEG DIVIDER GRILLO size mini

**ORMESA®**

**GRILLO**



J1	303113	PUSHING HANDLEBAR WITH GRIP
J2	303114	BAR FOR HANDLEBAR
J3	302443	HANDLEBAR FIXING PART
J4	21085	LOCKING
POS.	PART NR.	DESCRIPTION

**Spare Parts PUSHING HANDLEBAR for CARE GIVERS**

**ORMESA®**

**GRILLO**