

8.1 - GS SERIES SCOOTERS

8.1.1 - GS100 TRAVEL SCOOTER

- SEAT 8.1.1.1
- FRONT COVER 8.1.1.2
- HANDLEBAR 8.1.1.3
- FRONT WHEELS 8.1.1.4
- REAR WHEELS 8.1.1.5
- SEAT STRUCTURE 8.1.1.6
- ELECTRICAL CIRCUIT 8.1.1.7

8.2.1 - GS200 COMPACT SCOOTER

- SEAT 8.2.1.1
- BACK COVER 8.2.1.2
- HANDLEBAR 8.2.1.3
- FRONT WHEELS 8.2.1.4
- REAR WHEELS 8.2.1.5
- ELECTRICAL CIRCUIT 8.2.1.6

8.3.1 - GS300 INTERMEDIATE SCOOTER

- SEAT 8.3.1.1
- BACK FRAME 8.3.1.2
- BACK COVER 8.3.1.3
- HANDLEBAR 8.3.1.4
- SEAT STRUCTURE 8.3.1.5
- REAR WHEELS 8.3.1.6
- ELECTRICAL CIRCUIT 8.3.1.7

8.4.1 - GS500 DELUXE SCOOTER

- SEAT 8.4.1.1
- BACK FRAME 8.4.1.2
- HANDLEBAR 8.4.1.3
- FRONT WHEELS 8.4.1.4
- REAR WHEELS 8.4.1.5
- SEAT STRUCTURE 8.4.1.6
- ELECTRICAL CIRCUIT 8.4.1.7

LEGEND

CURRENT

- These parts and assemblies are currently being produced and delivered.*

SERVICEABLE PARTS

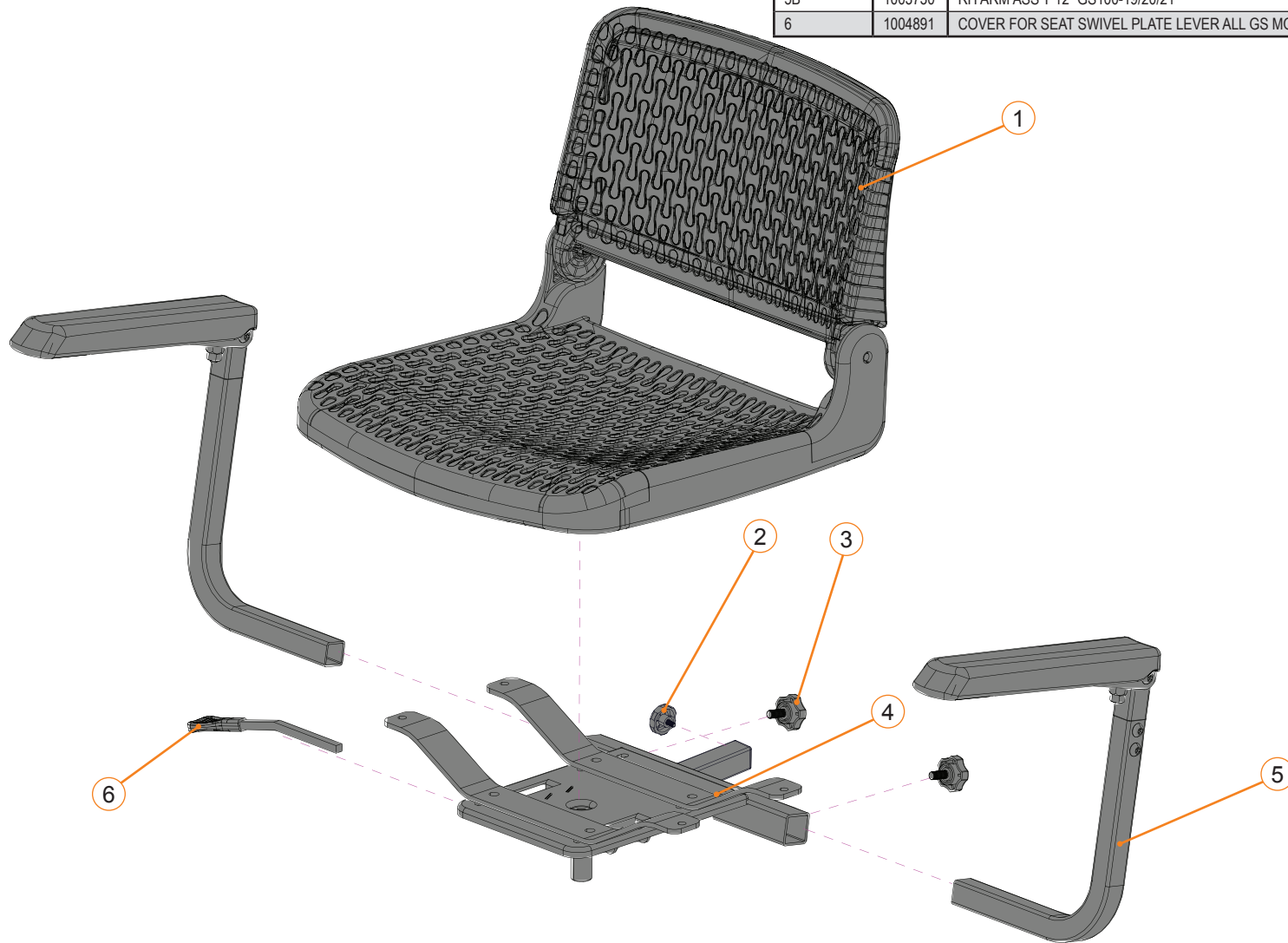
- These parts and assemblies are not currently being produced or delivered on new chairs, but they are available as replacement service parts.*

DISCONTINUED

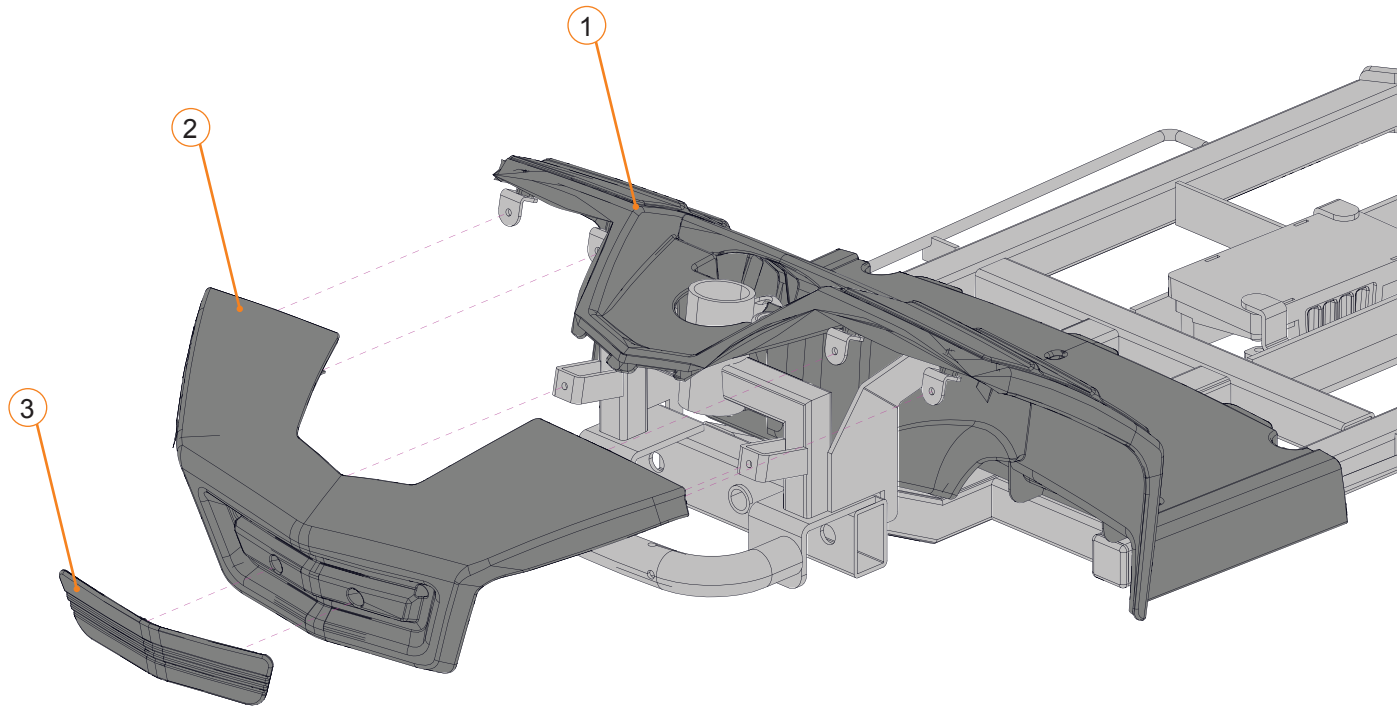
- These parts and assemblies are no longer being produced or delivered on new chairs, and they are not available as replacement service parts.*

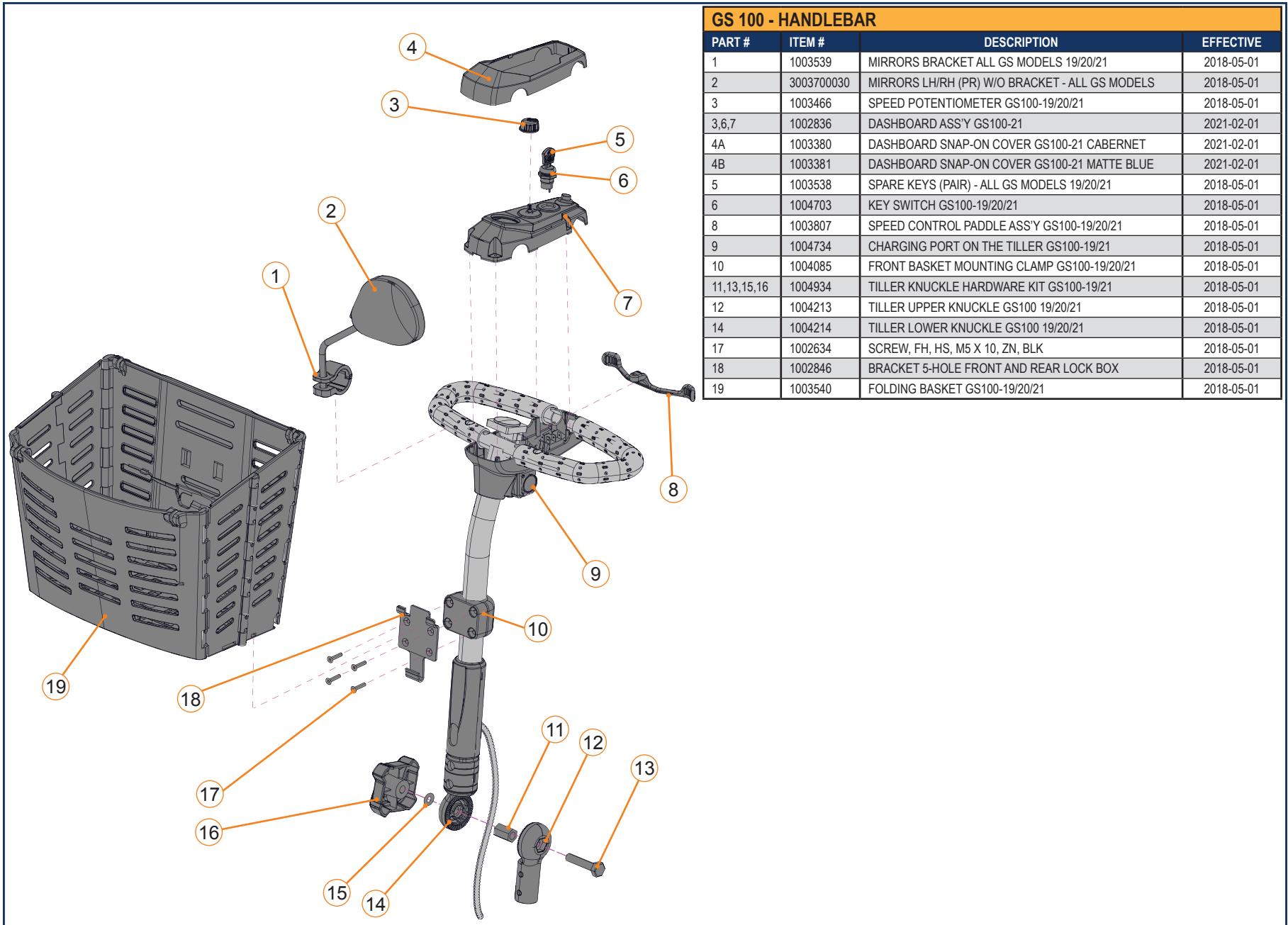
* Please contact Technical Support for information on the replacement parts and assemblies.

GS 100 - SEAT			
PART #	ITEM #	DESCRIPTION	EFFECTIVE
1, 2, 3, 4, 6	1003735	SEAT ASS'Y WITH SWIVEL PLATE GS100-19/20/21	2018-05-01
2	1004892	KNOB (M8*45L) GS100	2018-05-01
3	1004479	KNOB (M8*15L) ALL MODELS	2018-05-01
5A	1003729	LH ARM ASS'Y 12" GS100-19/20/21	2018-05-01
5B	1003730	RH ARM ASS'Y 12" GS100-19/20/21	2018-05-01
6	1004891	COVER FOR SEAT SWIVEL PLATE LEVER ALL GS MODELS	2018-05-01



GS 100 - FRONT COVER			
PART #	ITEM #	DESCRIPTION	EFFECTIVE
1	1004532	FRONT DECK GS100-21	2021-02-01
2A	1003312	FRONT FACE COVER GS100-21 CABERNET	2021-02-01
2B	1003313	FRONT FACE COVER GS100-21 MATTE BLUE	2021-02-01
3	1003311	FRONT SNAP-ON COVER GS100-21 (BLACK)	2021-02-01

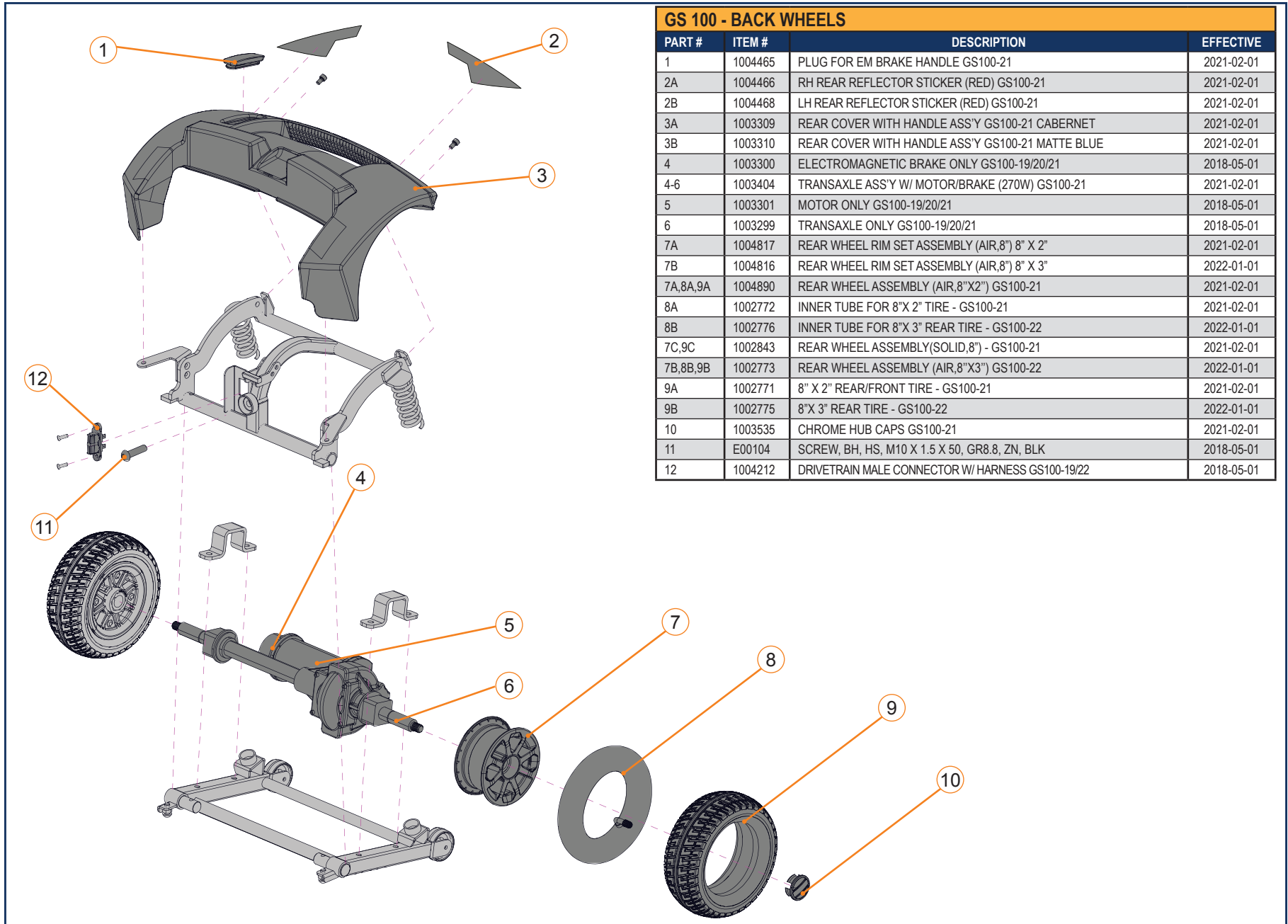




GS 100 - HANDLEBAR			
PART #	ITEM #	DESCRIPTION	EFFECTIVE
1	1003539	MIRRORS BRACKET ALL GS MODELS 19/20/21	2018-05-01
2	3003700030	MIRRORS LH/RH (PR) W/O BRACKET - ALL GS MODELS	2018-05-01
3	1003466	SPEED POTENTIOMETER GS100-19/20/21	2018-05-01
3,6,7	1002836	DASHBOARD ASS'Y GS100-21	2021-02-01
4A	1003380	DASHBOARD SNAP-ON COVER GS100-21 CABERNET	2021-02-01
4B	1003381	DASHBOARD SNAP-ON COVER GS100-21 MATTE BLUE	2021-02-01
5	1003538	SPARE KEYS (PAIR) - ALL GS MODELS 19/20/21	2018-05-01
6	1004703	KEY SWITCH GS100-19/20/21	2018-05-01
8	1003807	SPEED CONTROL PADDLE ASS'Y GS100-19/20/21	2018-05-01
9	1004734	CHARGING PORT ON THE TILLER GS100-19/21	2018-05-01
10	1004085	FRONT BASKET MOUNTING CLAMP GS100-19/20/21	2018-05-01
11,13,15,16	1004934	TILLER KNUCKLE HARDWARE KIT GS100-19/21	2018-05-01
12	1004213	TILLER UPPER KNUCKLE GS100 19/20/21	2018-05-01
14	1004214	TILLER LOWER KNUCKLE GS100 19/20/21	2018-05-01
17	1002634	SCREW, FH, HS, M5 X 10, ZN, BLK	2018-05-01
18	1002846	BRACKET 5-HOLE FRONT AND REAR LOCK BOX	2018-05-01
19	1003540	FOLDING BASKET GS100-19/20/21	2018-05-01

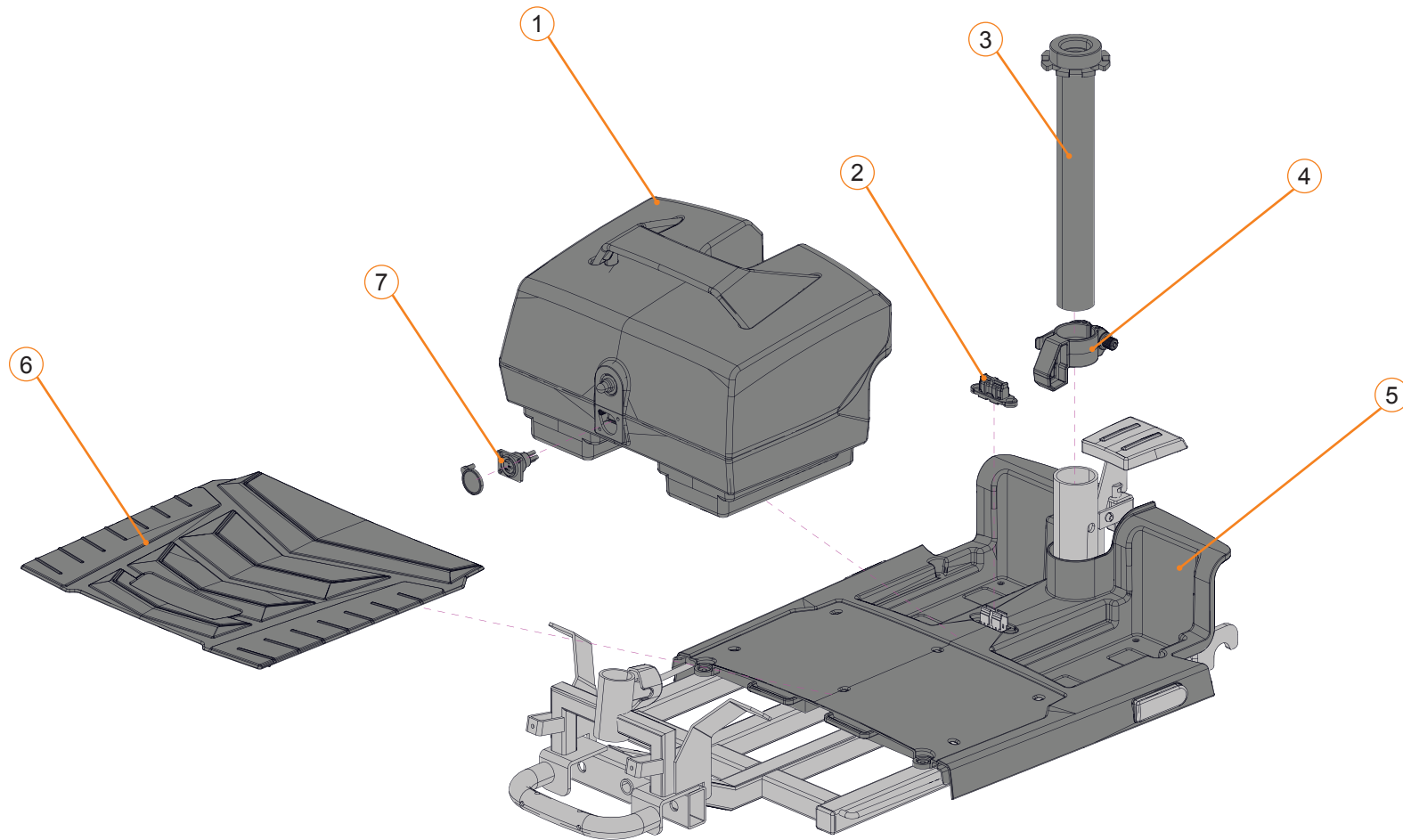
The diagram shows an exploded view of the front wheel assembly for a GS 100 scooter. The main frame is at the top, with various components numbered 1 through 14. 1 points to a drivetrain connector, 2 to a controller, 3 to a bumper cover, 4 to a steering arm spindle, 5 to a wheel bearing, 6 to a wheel rim set, 7 to an inner tube, 8 to a tire, 9 to a hub cap, 10 to a tie rod end, 11 to a tie rod, 12 to a tie rod assembly, 13 to a headlight, and 14 to another bumper cover.

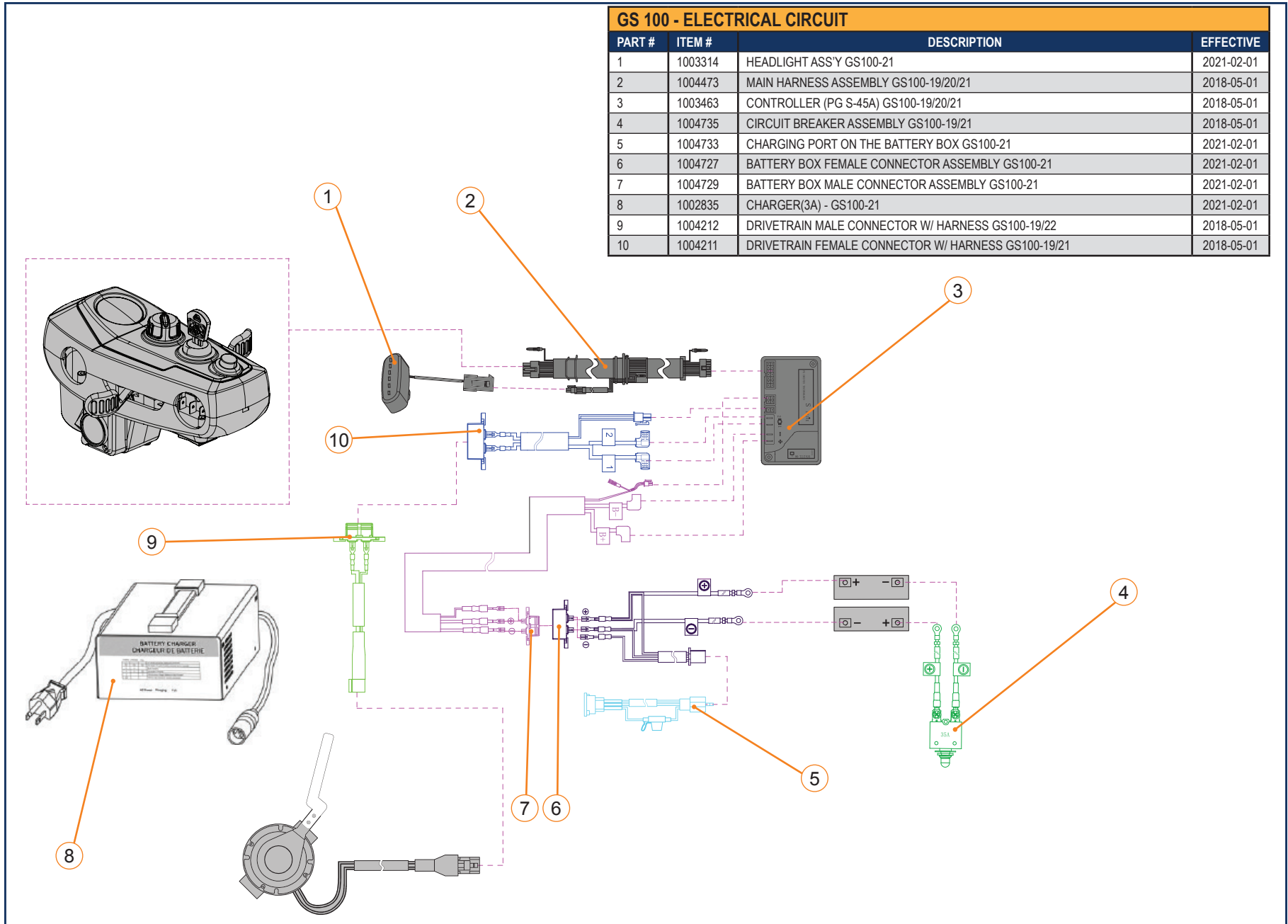
GS 100 - FRONT WHEELS			
PART #	ITEM #	DESCRIPTION	EFFECTIVE
1	1004211	DRIVETRAIN FEMALE CONNECTOR W/ HARNESS GS100-19/21	2018-05-01
2	1003463	CONTROLLER (PG S-45A) GS100-19/20/21	2018-05-01
3,4A,10	1004215	LH STEERING ARM SPINDLE ASSEMBLY GS100 19/20/21	2018-05-01
3,4B,10	1004216	RH STEERING ARM SPINDLE ASSEMBLY GS100 19/20/21	2018-05-01
3,4A,4B,10,11,12	1004524	STEERING ARM AND BEAM ASS'Y WITH TIE RODS GS100-21	2021-02-01
5,6A,7A,8A	1002770	FRONT WHEEL ASSEMBLY(AIR,8")(SILVER 643C) GS100-21	2021-02-01
5,6B,8B	1002842	FRONT WHEEL ASS'Y (SOLID,8") - GS100-21	2021-02-01
5	1004608	WHEEL BEARING GS100-19/20/21	2018-05-01
6A	1004815	FRONT WHEEL RIM SET ASSEMBLY (AIR,8") 8" X 2"	2021-02-01
7	1002772	INNER TUBE FOR 8"X 2" TIRE - GS100-21	2021-02-01
8A	1002771	8" X 2" REAR/FRONT TIRE - GS100-21	2021-02-01
9	1003535	CHROME HUB CAPS GS100-21	2021-02-01
12	1004411	TIE ROD ASS'Y (LH/RH) GS100-19/20/21	2018-05-01
13	1003314	HEADLIGHT ASS'Y GS100-21	2021-02-01
14	1003893	FRONT BUMPER COVER GS100-19/20/21 BLACK	2018-05-01



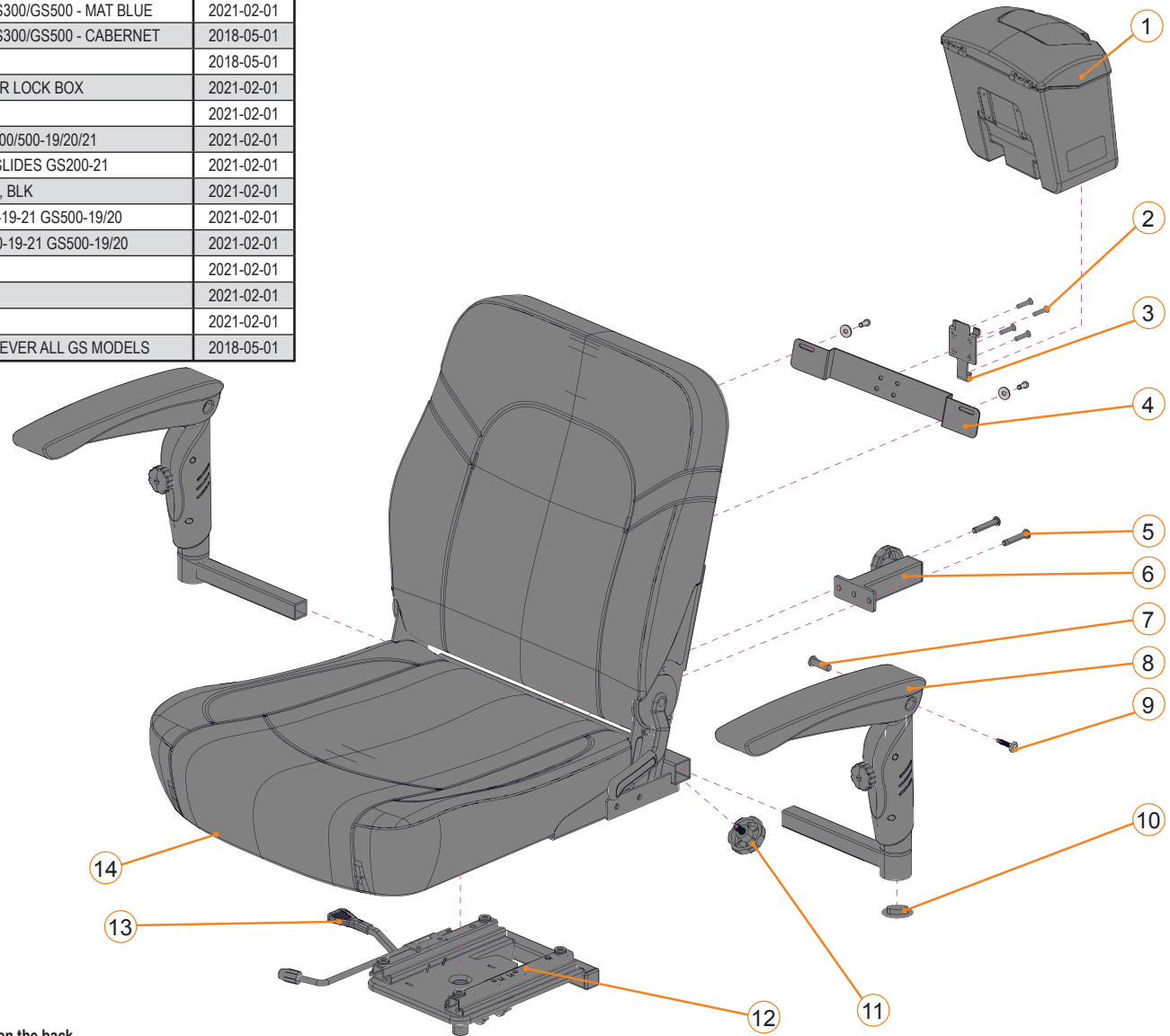
GS 100 - BACK WHEELS			
PART #	ITEM #	DESCRIPTION	EFFECTIVE
1	1004465	PLUG FOR EM BRAKE HANDLE GS100-21	2021-02-01
2A	1004466	RH REAR REFLECTOR STICKER (RED) GS100-21	2021-02-01
2B	1004468	LH REAR REFLECTOR STICKER (RED) GS100-21	2021-02-01
3A	1003309	REAR COVER WITH HANDLE ASS'Y GS100-21 CABERNET	2021-02-01
3B	1003310	REAR COVER WITH HANDLE ASS'Y GS100-21 MATTE BLUE	2021-02-01
4	1003300	ELECTROMAGNETIC BRAKE ONLY GS100-19/20/21	2018-05-01
4-6	1003404	TRANSAXLE ASS'Y W/ MOTOR/BRAKE (270W) GS100-21	2021-02-01
5	1003301	MOTOR ONLY GS100-19/20/21	2018-05-01
6	1003299	TRANSAXLE ONLY GS100-19/20/21	2018-05-01
7A	1004817	REAR WHEEL RIM SET ASSEMBLY (AIR,8") 8" X 2"	2021-02-01
7B	1004816	REAR WHEEL RIM SET ASSEMBLY (AIR,8") 8" X 3"	2022-01-01
7A,8A,9A	1004890	REAR WHEEL ASSEMBLY (AIR,8"X2") GS100-21	2021-02-01
8A	1002772	INNER TUBE FOR 8"X 2" TIRE - GS100-21	2021-02-01
8B	1002776	INNER TUBE FOR 8"X 3" REAR TIRE - GS100-22	2022-01-01
7C,9C	1002843	REAR WHEEL ASSEMBLY(SOLID,8") - GS100-21	2021-02-01
7B,8B,9B	1002773	REAR WHEEL ASSEMBLY (AIR,8"X3") GS100-22	2022-01-01
9A	1002771	8" X 2" REAR/FRONT TIRE - GS100-21	2021-02-01
9B	1002775	8"X 3" REAR TIRE - GS100-22	2022-01-01
10	1003535	CHROME HUB CAPS GS100-21	2021-02-01
11	E00104	SCREW, BH, HS, M10 X 1.5 X 50, GR8.8, ZN, BLK	2018-05-01
12	1004212	DRIVETRAIN MALE CONNECTOR W/ HARNESS GS100-19/22	2018-05-01

GS 100 - SEAT STRUCTURE			
PART #	ITEM #	DESCRIPTION	EFFECTIVE
1	GS100-BATTPK22	GS100 BATTERY PACK WITH 22Ah BATTERIES	2021-02-01
2	1004729	BATTERY BOX MALE CONNECTOR ASSEMBLY GS100-21	2021-02-01
3	1003911	SEAT POST ASSEMBLY GS100-19/20/21	2018-05-01
4	1004464	BATTERY BOX FASTENER ASSEMBLY GS100-19/20/21	2018-05-01
5	1004470	CENTER DECK GS100-21	2018-05-01 </td
6	1004620	FLOOR MAT GS100-21	2021-02-01
7	1004733	CHARGING PORT ON THE BATTERY BOX GS100-21	2021-02-01

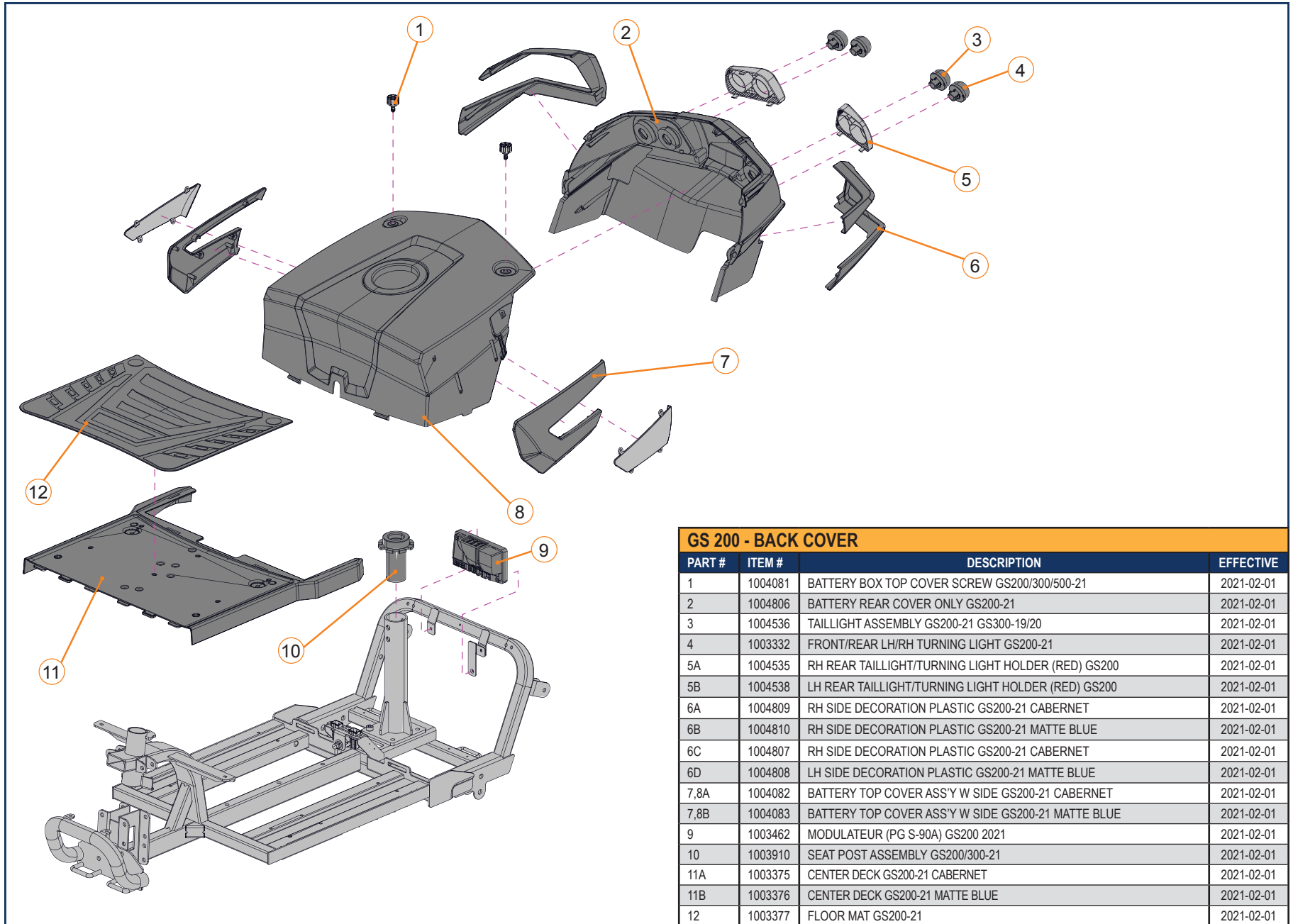




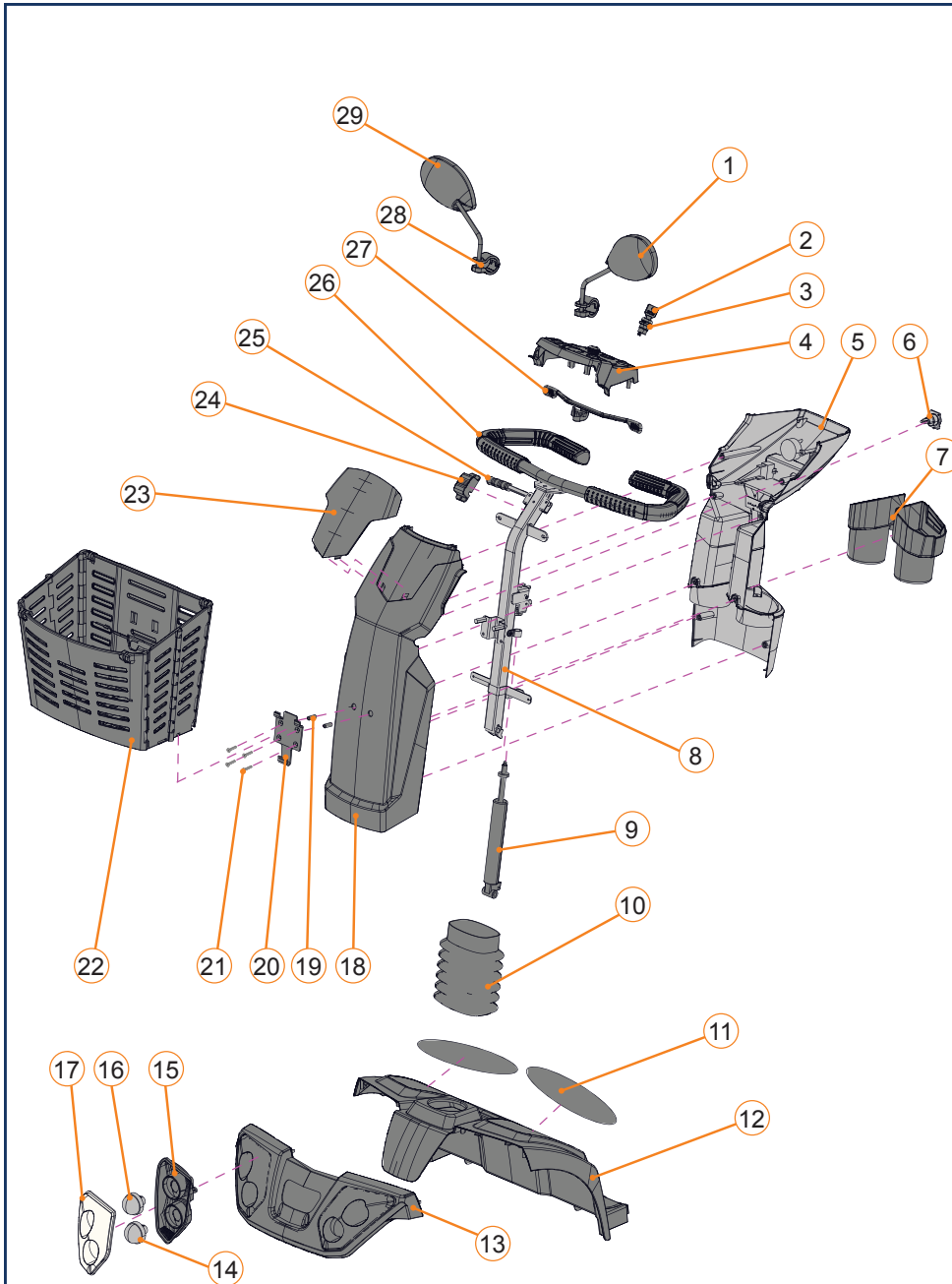
GS 200 - SEAT			
PART #	ITEM #	DESCRIPTION	EFFECTIVE
1A,2,3	1003542*	KIT FRONT STORAGE BOX GS200/GS300/GS500 - MAT BLUE	2021-02-01
1B,2,3	1003543*	KIT FRONT STORAGE BOX GS200/GS300/GS500 - CABERNET	2018-05-01
1A,2,3,4	1003544*	KIT REAR STORAGE BOX GS200/GS300/GS500 - MAT BLUE	2021-02-01
1B,2,3,4	1003545*	KIT REAR STORAGE BOX GS200/GS300/GS500 - CABERNET	2018-05-01
2	1002634	SCREW, FH, HS, M5 X 10, ZN, BLK	2018-05-01
3	1002846	BRACKET 5-HOLE FRONT AND REAR LOCK BOX	2021-02-01
4	1002867	LONG BRACKET REAR LOCK BOX	2021-02-01
5,6	1004480	ACCESSORY BRACKET KIT GS200/300/500-19/20/21	2021-02-01
5,6,12,13,14	1003739	SEAT ASS'Y WITH SWIVEL PLATE&SLIDES GS200-21	2021-02-01
7	1000984	SCREW, CH, HS, M8 X 1.25 X 40, ZN, BLK	2021-02-01
7,8A,9,10	1003731	LH ARM ASS'Y 14" GS200-21 GS300-19-21 GS500-19/20	2021-02-01
7,8B,9,10	1003732	RH ARM ASS'Y 14" GS200-21 GS300-19-21 GS500-19/20	2021-02-01
9	E00211	NUT, NYL LCK, M8 X 1.25, ZN, BLK	2021-02-01
10	K00022	ROUND PLASTIC END CAP 1-1/2	2021-02-01
11	1004479	KNOB (M8*15L) ALL MODELS	2021-02-01
13	1004891	COVER FOR SEAT SWIVEL PLATE LEVER ALL GS MODELS	2018-05-01



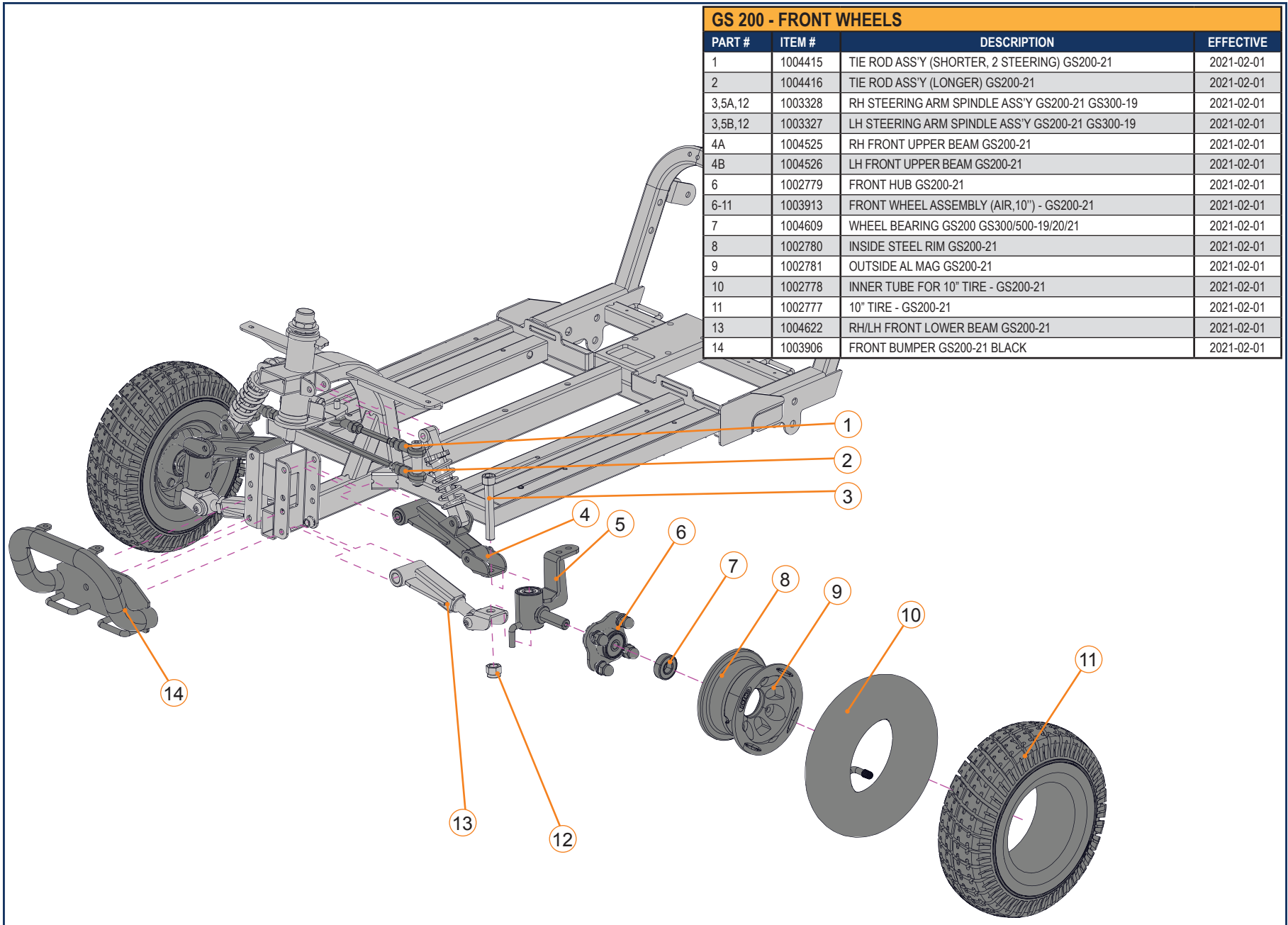
*Sold separately. Can be installed on the front of the scooter or on the back



GS 200 - BACK COVER			
PART #	ITEM #	DESCRIPTION	EFFECTIVE
1	1004081	BATTERY BOX TOP COVER SCREW GS200/300/500-21	2021-02-01
2	1004806	BATTERY REAR COVER ONLY GS200-21	2021-02-01
3	1004536	TAILLIGHT ASSEMBLY GS200-21 GS300-19/20	2021-02-01
4	1003332	FRONT/REAR LH/RH TURNING LIGHT GS200-21	2021-02-01
5A	1004535	RH REAR TAILLIGHT/TURNING LIGHT HOLDER (RED) GS200	2021-02-01
5B	1004538	LH REAR TAILLIGHT/TURNING LIGHT HOLDER (RED) GS200	2021-02-01
6A	1004809	RH SIDE DECORATION PLASTIC GS200-21 CABERNET	2021-02-01
6B	1004810	RH SIDE DECORATION PLASTIC GS200-21 MATTE BLUE	2021-02-01
6C	1004807	RH SIDE DECORATION PLASTIC GS200-21 CABERNET	2021-02-01
6D	1004808	LH SIDE DECORATION PLASTIC GS200-21 MATTE BLUE	2021-02-01
7,8A	1004082	BATTERY TOP COVER ASS'Y W SIDE GS200-21 CABERNET	2021-02-01
7,8B	1004083	BATTERY TOP COVER ASS'Y W SIDE GS200-21 MATTE BLUE	2021-02-01
9	1003462	MODULATEUR (PG S-90A) GS200 2021	2021-02-01
10	1003910	SEAT POST ASSEMBLY GS200/300-21	2021-02-01
11A	1003375	CENTER DECK GS200-21 CABERNET	2021-02-01
11B	1003376	CENTER DECK GS200-21 MATTE BLUE	2021-02-01
12	1003377	FLOOR MAT GS200-21	2021-02-01

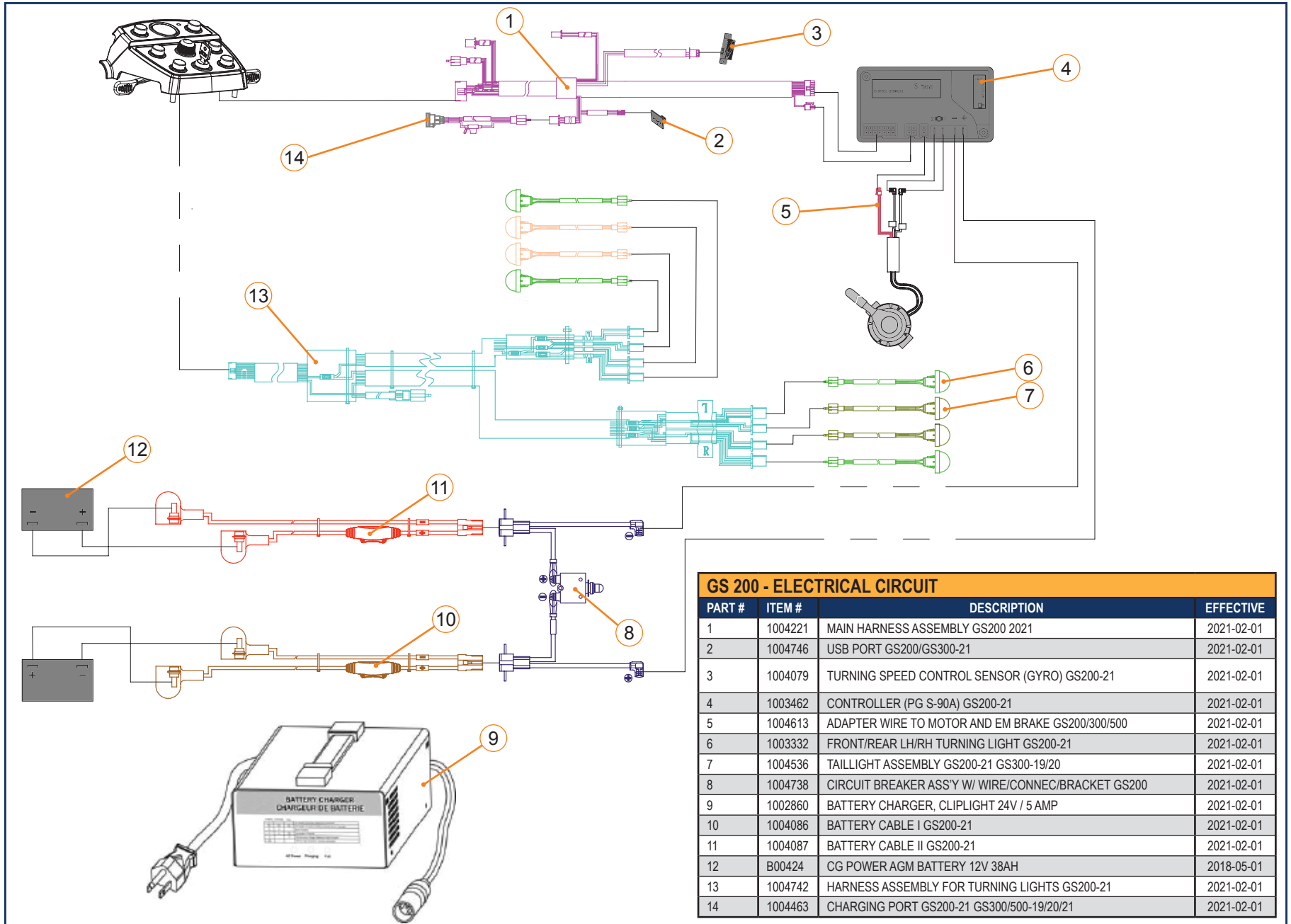


GS 200 - HANDLEBAR			
PART #	ITEM #	DESCRIPTION	EFFECTIVE
1	3003700030	MIRRORS LH/RH (PR) W/O BRACKET - ALL GS MODELS	2021-02-01
2	1003538	SPARE KEYS (PAIR) - ALL GS MODELS 19/20/21	2021-02-01
3	1003774	KEY SWITCH GS200-21 GS300-500-19/20/21	2021-02-01
4	1002837	DASHBOARD W/ SPEED CTRL ASS'Y GS200-21	2021-02-01
5	1004567	TILLER REAR COVER WITHOUT CUP HOLDERS GS200 2021	2021-02-01
6	1004463	CHARGING PORT GS200-21 GS300/500-19/20/21	2021-02-01
7A	1004563	LH CUP HOLDER GS200/300-21	2021-02-01
7B	1004564	RH CUP HOLDER GS200/300-21	2021-02-01
8,9,25,26	1004540	TILLER HANDLE ASSEMBLY GS200-21	2021-02-01
9	1003468	TILLER SHOCK GS200/300-21	2021-02-01
10	1004811	TILLER BOOT GS200/GS300-21	2021-02-01
11A	1003352	FRONT DECK ANTI-SKID STICKER FOR GS200/300-21 - RH	2021-02-01
11B	1003351	FRONT DECK ANTI-SKID STICKER FOR GS200/300-21 - LH	2021-02-01
12A	1003378	FRONT DECK GS200-21 CABERNET	2021-02-01
12B	1003379	FRONT DECK GS200-21 MATTE BLUE	2021-02-01
13	1003343	FRONT FACE COVER GS200/300-21	2021-02-01
14	1003331	HEADLIGHT ASS'Y GS300/500-19/20/21 GS200-21	2021-02-01
15A	1003348	LH HEADLIGHT REFLECTIVE BACK SILVER GS200-21	2021-02-01
15B	1003349	RH HEADLIGHT REFLECTIVE BACK SILVER GS200-21	2021-02-01
16	1003332	FRONT/REAR LH/RH TURNING LIGHT GS200-21	2021-02-01
17A	1003346	LH HEADLIGHT CLEAR COVER GS200-21	2021-02-01
17B	1003347	RH HEADLIGHT CLEAR COVER GS200-21	2021-02-01
18A	1003382	TILLER FRONT COVER GS200/300-21 CABERNET	2021-02-01
18B	1003383	TILLER FRONT COVER GS200/300-21 MATTE BLUE	2021-02-01
19	1003775	COLUMN SPACER	2021-02-01
20	1002846	BRACKET 5-HOLE FRONT AND REAR LOCK BOX	2021-02-01
21	1002634	SCREW, FH, HS, M5 X 10, ZN, BLK	2018-05-01
22	1003541	FOLDING BASKET GS300/500-19/20/21 GS200-21	2021-02-01
23	1003353	DASHBOARD FRONT COVER GS200/300-21	2021-02-01
24	1004079	TURNING SPEED CONTROL SENSOR (GYRO) GS200-21	2021-02-01
25	1004612	TILLER SHOCK ANGLE ADJ HANDLE COVER GS200/300/500	2021-02-01
27	1003806	SPEED CTRL PADDLE ASS'Y GS300/500-19/20 GS200-21	2021-02-01
28	1003539	MIRRORS BRACKET ALL GS MODELS 19/20/21	2021-02-01
NOT SHOWN	1004611	CABLE FOR TILLER SHOCK GS200 GS300-21	2021-02-01



GS 200 - FRONT WHEELS			
PART #	ITEM #	DESCRIPTION	EFFECTIVE
1	1004415	TIE ROD ASS'Y (SHORTER, 2 STEERING) GS200-21	2021-02-01
2	1004416	TIE ROD ASS'Y (LONGER) GS200-21	2021-02-01
3,5A,12	1003328	RH STEERING ARM SPINDLE ASS'Y GS200-21 GS300-19	2021-02-01
3,5B,12	1003327	LH STEERING ARM SPINDLE ASS'Y GS200-21 GS300-19	2021-02-01
4A	1004525	RH FRONT UPPER BEAM GS200-21	2021-02-01
4B	1004526	LH FRONT UPPER BEAM GS200-21	2021-02-01
6	1002779	FRONT HUB GS200-21	2021-02-01
6-11	1003913	FRONT WHEEL ASSEMBLY (AIR,10") - GS200-21	2021-02-01
7	1004609	WHEEL BEARING GS200 GS300/500-19/20/21	2021-02-01
8	1002780	INSIDE STEEL RIM GS200-21	2021-02-01
9	1002781	OUTSIDE AL MAG GS200-21	2021-02-01
10	1002778	INNER TUBE FOR 10" TIRE - GS200-21	2021-02-01
11	1002777	10" TIRE - GS200-21	2021-02-01
13	1004622	RH/LH FRONT LOWER BEAM GS200-21	2021-02-01
14	1003906	FRONT BUMPER GS200-21 BLACK	2021-02-01

GS 200 - BACK WHEELS			
PART #	ITEM #	DESCRIPTION	EFFECTIVE
1A	1003374	DRIVETRAIN W/ FENDER COVERS GS200-21 CABERNET	2021-02-01
1B	1003373	DRIVETRAIN W/ FENDER COVERS GS200-21 MATTE BLUE	2021-02-01
2	1003307	MOTOR ONLY GS200-21	2021-02-01
3	1003302	TRANSAXLE ONLY GS200-21	2021-02-01
2,3,10	1003403	TRANSAXLE ASS'Y W/ MOTOR/BRAKE (600W) GS200-21	2021-02-01
4	1002783	REAR HUB GS200-21	2021-02-01
5	1004609	WHEEL BEARING GS200 GS300/500-19/20/21	2021-02-01
6	1002780	INSIDE STEEL RIM GS200-21	2021-02-01
7	1002781	OUTSIDE AL MAG GS200-21	2021-02-01
8	1002778	INNER TUBE FOR 10" TIRE - GS200-21	2021-02-01
9	1002777	10" TIRE - GS200-21	2021-02-01
4-9	1002782	REAR WHEEL ASSEMBLY(AIR,10) GS200-21	2021-02-01
10	1004542	EM BRAKE W/ 2 HANDLE GS200/300/GS500(800W)	2021-02-01
NOT SHOWN	1004227	MOTOR BRUSH GS200 2021	2021-02-01
NOT SHOWN	1004228	MOTOR BRUSH CAP GS200 2021	2021-02-01



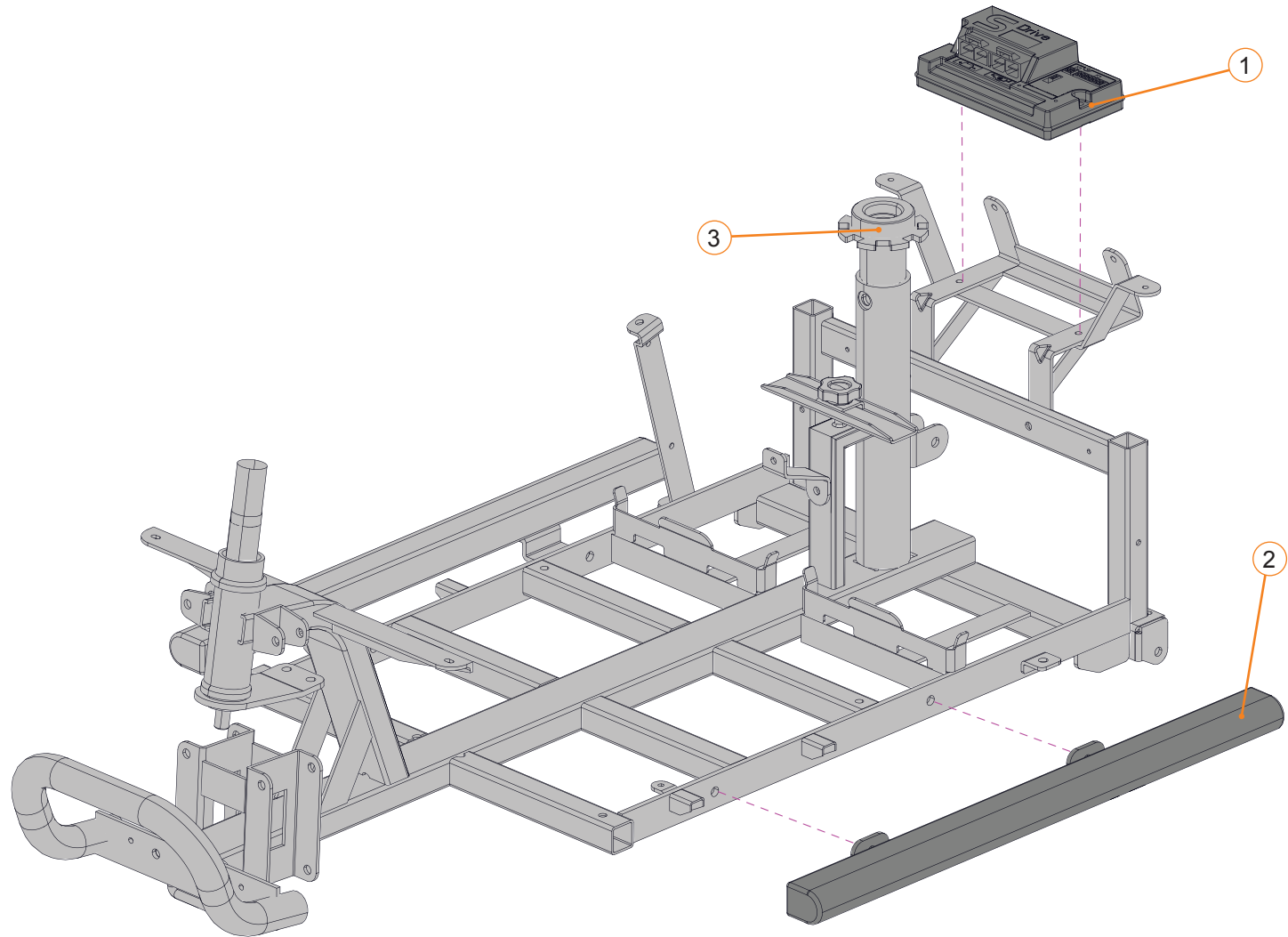
GS 200 - ELECTRICAL CIRCUIT			
PART #	ITEM #	DESCRIPTION	EFFECTIVE
1	1004221	MAIN HARNESS ASSEMBLY GS200 2021	2021-02-01
2	1004746	USB PORT GS200/GS300-21	2021-02-01
3	1004079	TURNING SPEED CONTROL SENSOR (GYRO) GS200-21	2021-02-01
4	1003462	CONTROLLER (PG S-90A) GS200-21	2021-02-01
5	1004613	ADAPTER WIRE TO MOTOR AND EM BRAKE GS200/300/500	2021-02-01
6	1003332	FRONT/REAR LH/RH TURNING LIGHT GS200-21	2021-02-01
7	1004536	TAILLIGHT ASSEMBLY GS200-21 GS300-19/20	2021-02-01
8	1004738	CIRCUIT BREAKER ASS'Y W/ WIRE/CONNEC/BRACKET GS200	2021-02-01
9	1002860	BATTERY CHARGER, CLIPLIGHT 24V / 5 AMP	2021-02-01
10	1004086	BATTERY CABLE I GS200-21	2021-02-01
11	1004087	BATTERY CABLE II GS200-21	2021-02-01
12	B00424	CG POWER AGM BATTERY 12V 38AH	2018-05-01
13	1004742	HARNESS ASSEMBLY FOR TURNING LIGHTS GS200-21	2021-02-01
14	1004463	CHARGING PORT GS200-21 GS300/500-19/20/21	2021-02-01

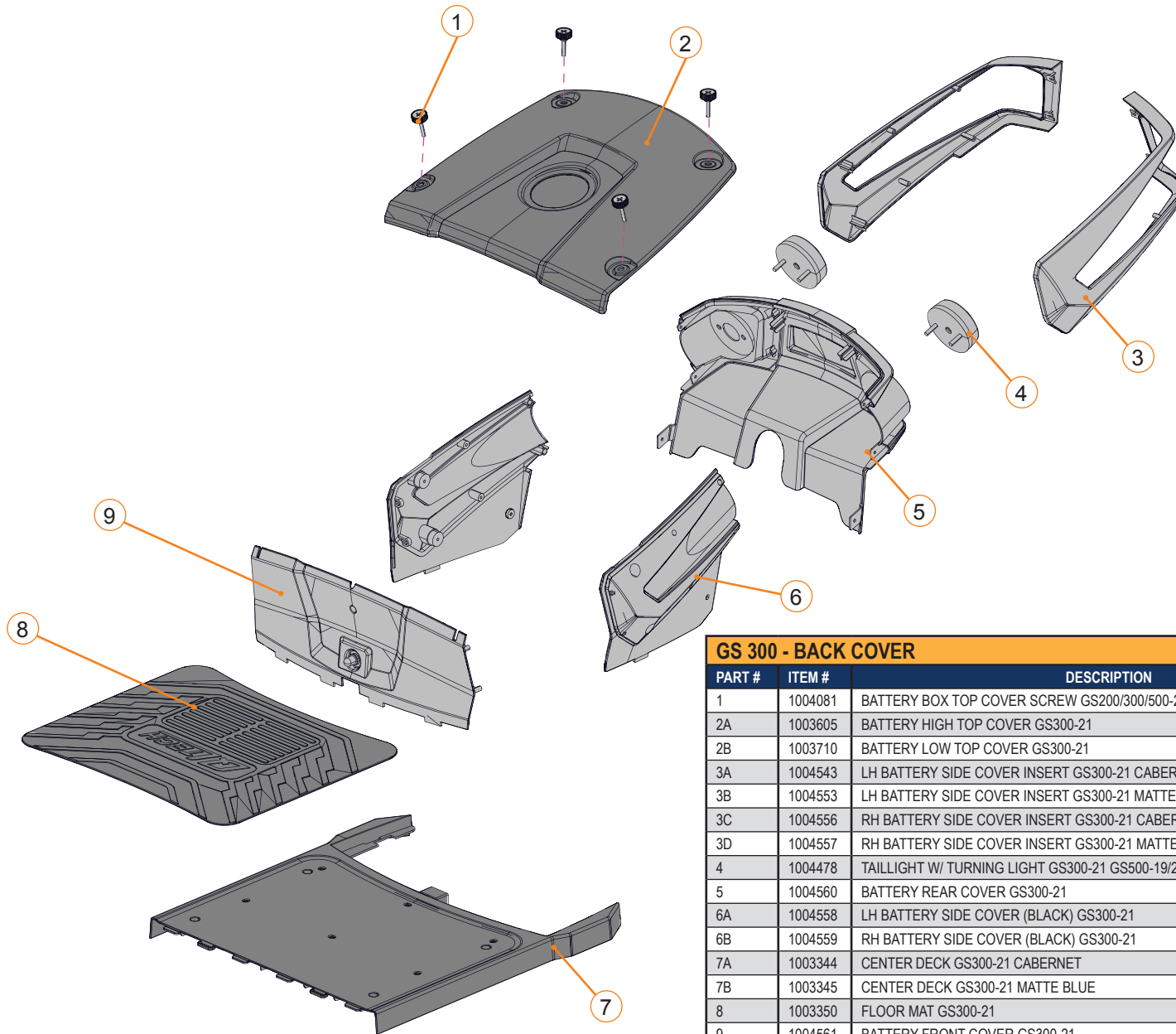
GS 300 - SEAT			
PART #	ITEM #	DESCRIPTION	EFFECTIVE
1A,2,3,4	1003544*	KIT REAR STORAGE BOX GS200/GS300/GS500 - MAT BLUE	2021-05-01
1B,2,3,4	1003545*	KIT REAR STORAGE BOX GS200/GS300/GS500 - CABERNET	2018-05-01
1A,2,3	1003542*	KIT FRONT STORAGE BOX GS200/GS300/GS500 - MAT BLUE	2021-05-01
1B,2,3	1003543*	KIT FRONT STORAGE BOX GS200/GS300/GS500 - CABERNET	2018-05-01
2	1002634	SCREW, FH, HS, M5 X 10, ZN, BLK	2018-05-01
3	1002846	BRACKET 5-HOLE FRONT AND REAR LOCK BOX	2018-05-01
4	1002867	LONG BRACKET REAR LOCK BOX	2018-05-01
5,6	1004480	ACCESSORY BRACKET KIT GS200/300/500-19/20/21	2018-05-01
5,6,12-15	1003741	SEAT ASS'Y W SWIVEL PLATE&SLIDES GS300/500-21	2021-02-01
7	1000894	SCREW, CH, HS, M8 X 1.25 X 40, ZN, BLK	2018-05-01
7,8A,9,10	1003731	LH ARM ASS'Y 14" GS200-21 GS300-19-21 GS500-19/20	2018-05-01
7,8B,9,10	1003732	RH ARM ASS'Y 14" GS200-21 GS300-19-21 GS500-19/20	2018-05-01
9	E00211	NUT, NYL LCK, M8 X 1.25, ZN, BLK	2018-05-01
10	K00022	ROUND PLASTIC END CAP 1-1/2	2021-02-01
11	1004479	KNOB (M8*15L) ALL MODELS	2018-05-01
13	1004891	COVER FOR SEAT SWIVEL PLATE LEVER ALL GS MODELS	2018-05-01
15	1004477	HEAD REST GS300/500-19/20/21	2018-05-01



*Sold separately. Can be installed on the front of the scooter or on the back

GS 300 - BACK FRAME			
PART #	ITEM #	DESCRIPTION	EFFECTIVE
1	1003461	CONTROLLER (PG S-120A) GS300-21	2021-02-01
2	1003902	SIDE BUMPER (LH/RH) GS300-21 BLACK	2021-02-01
3	1003910	SEAT POST ASSEMBLY GS200/300-21	2021-02-01



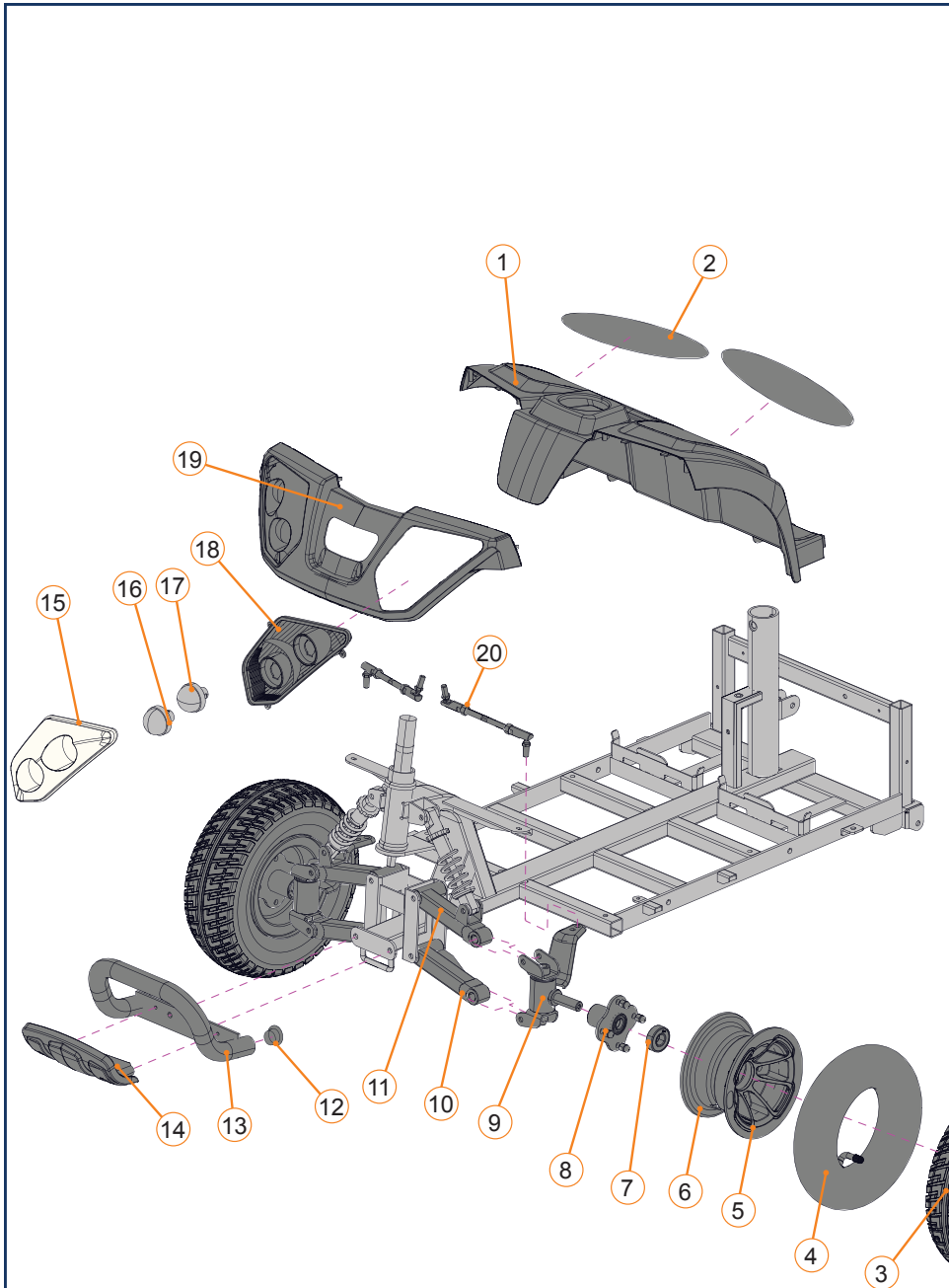


GS 300 - BACK COVER			
PART #	ITEM #	DESCRIPTION	EFFECTIVE
1	1004081	BATTERY BOX TOP COVER SCREW GS200/300/500-21	2021-02-01
2A	1003605	BATTERY HIGH TOP COVER GS300-21	2021-04-01
2B	1003710	BATTERY LOW TOP COVER GS300-21	2021-02-01
3A	1004543	LH BATTERY SIDE COVER INSERT GS300-21 CABERNET	2021-02-01
3B	1004553	LH BATTERY SIDE COVER INSERT GS300-21 MATTE BLUE	2021-02-01
3C	1004556	RH BATTERY SIDE COVER INSERT GS300-21 CABERNET	2021-02-01
3D	1004557	RH BATTERY SIDE COVER INSERT GS300-21 MATTE BLUE	2021-02-01
4	1004478	TAILLIGHT W/ TURNING LIGHT GS300-21 GS500-19/20/21	2021-02-01
5	1004560	BATTERY REAR COVER GS300-21	2021-02-01
6A	1004558	LH BATTERY SIDE COVER (BLACK) GS300-21	2021-02-01
6B	1004559	RH BATTERY SIDE COVER (BLACK) GS300-21	2021-02-01
7A	1003344	CENTER DECK GS300-21 CABERNET	2021-02-01
7B	1003345	CENTER DECK GS300-21 MATTE BLUE	2021-02-01
8	1003350	FLOOR MAT GS300-21	2021-02-01
9	1004561	BATTERY FRONT COVER GS300-21	2021-02-01

GS SERIES SCOOTERS - SECTION 8.3.1

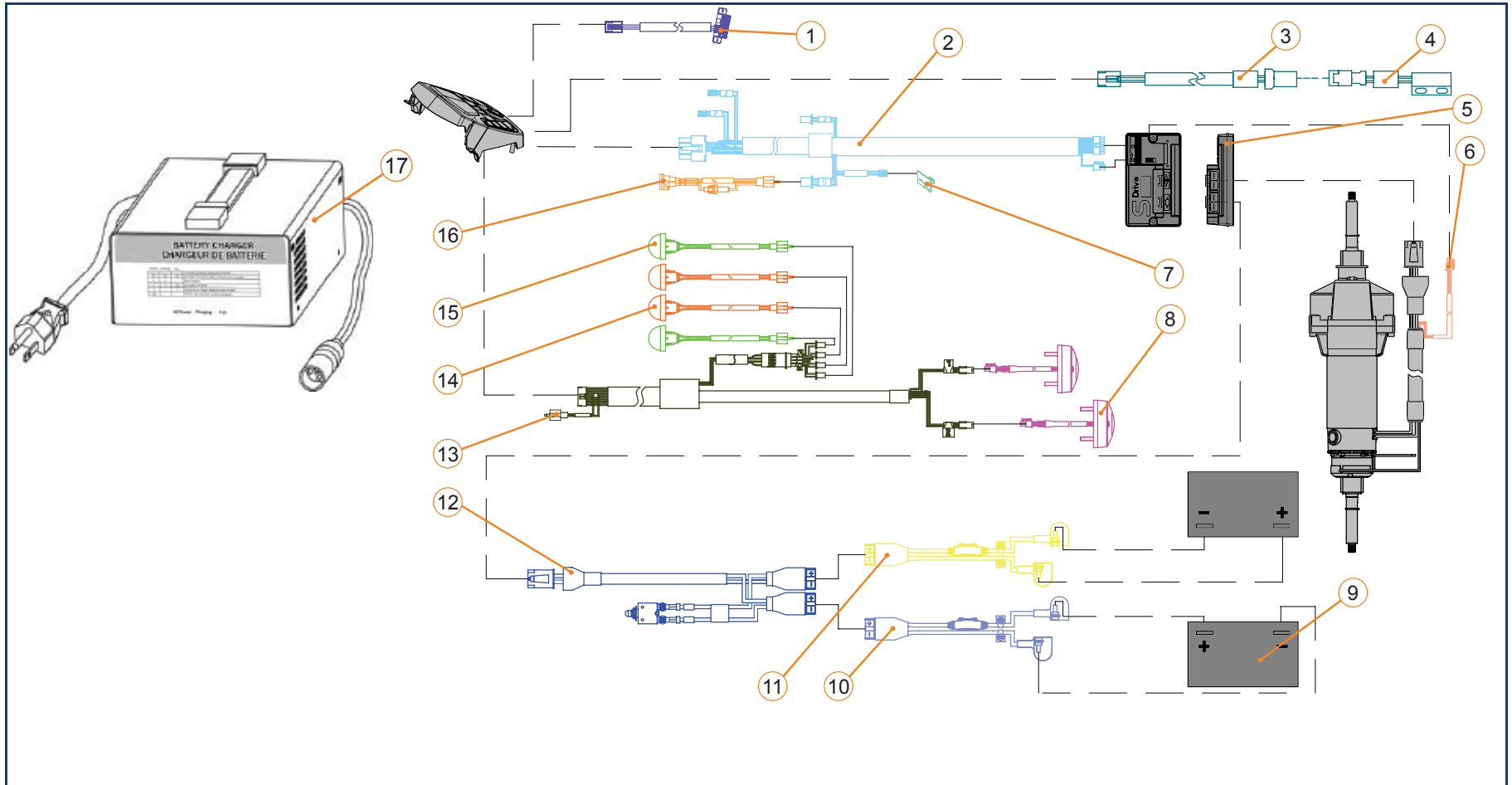
GS 300 - HANDLEBAR

PART #	ITEM #	DESCRIPTION	EFFECTIVE
1	1003541	FOLDING BASKET GS300/500-19/20/21 GS200-21	2018-05-01
2	1003401	MAN BRAKE ASS'Y W/ BRAKE LIGHT SW GS300/500-19/21	2018-05-01
3,8	3003700030	MIRRORS LH/RH (PR) W/O BRACKET - ALL GS MODELS	2018-05-01
4	1003539	MIRRORS BRACKET ALL GS MODELS 19/20/21	2021-02-01
5,7	1002838	LCD DASHBOARD ASS'Y GS300-21	2021-02-01
6	1003538	SPARE KEYS (PAIR) - ALL GS MODELS 19/20/21	2018-05-01
7	1003774	KEY SWITCH GS200-21 GS300-500-19/20/21	2018-05-01
9	1003804	SPEED CONTROL PADDLE ASS'Y GS300-21	2021-02-01
10	1004562	TILLER REAR COVER WITHOUT CUP HOLDERS GS300 2021	2021-02-01
11	1004463	CHARGING PORT GS200-21 GS300/500-19/20/21	2018-05-01
12A	1004563	LH CUP HOLDER GS200/300-21	2021-02-01
12B	1004564	RH CUP HOLDER GS200/300-21	2021-02-01
13	1004612	TILLER SHOCK ANGLE ADJ HANDLE COVER GS200/300/500	2018-05-01
13-15,23	1004534	TILLER HANDLE ASSEMBLY GS300-21	2021-02-01
14	1003468	TILLER SHOCK GS200/300-21	2021-02-01
16	1004811	TILLER BOOT GS200/GS300-21	2021-02-01
17	1003775	COLUMN SPACER	2021-02-01
18	1002846	BRACKET 5-HOLE FRONT AND REAR LOCK BOX	2021-02-01
19	1002634	SCREW, FH, HS, M5 X 10, ZN, BLK	2018-05-01
20A	1003382	TILLER FRONT COVER GS200/300-21 CABERNET	2021-02-01
20B	1003383	TILLER FRONT COVER GS200/300-21 MATTE BLUE	2021-02-01
21	1003353	DASHBOARD FRONT COVER GS200/300-21	2021-02-01
22	1004080	TURNING SPEED CONTROL SENSOR (GYRO) GS300/500-21	2021-02-01
NOT SHOWN	1004611	CABLE FOR TILLER SHOCK GS200 GS300-21	2021-02-01
NOT SHOWN	1004933	CABLE FOR MANUAL BRAKE GS300-19/20/21	2018-05-01



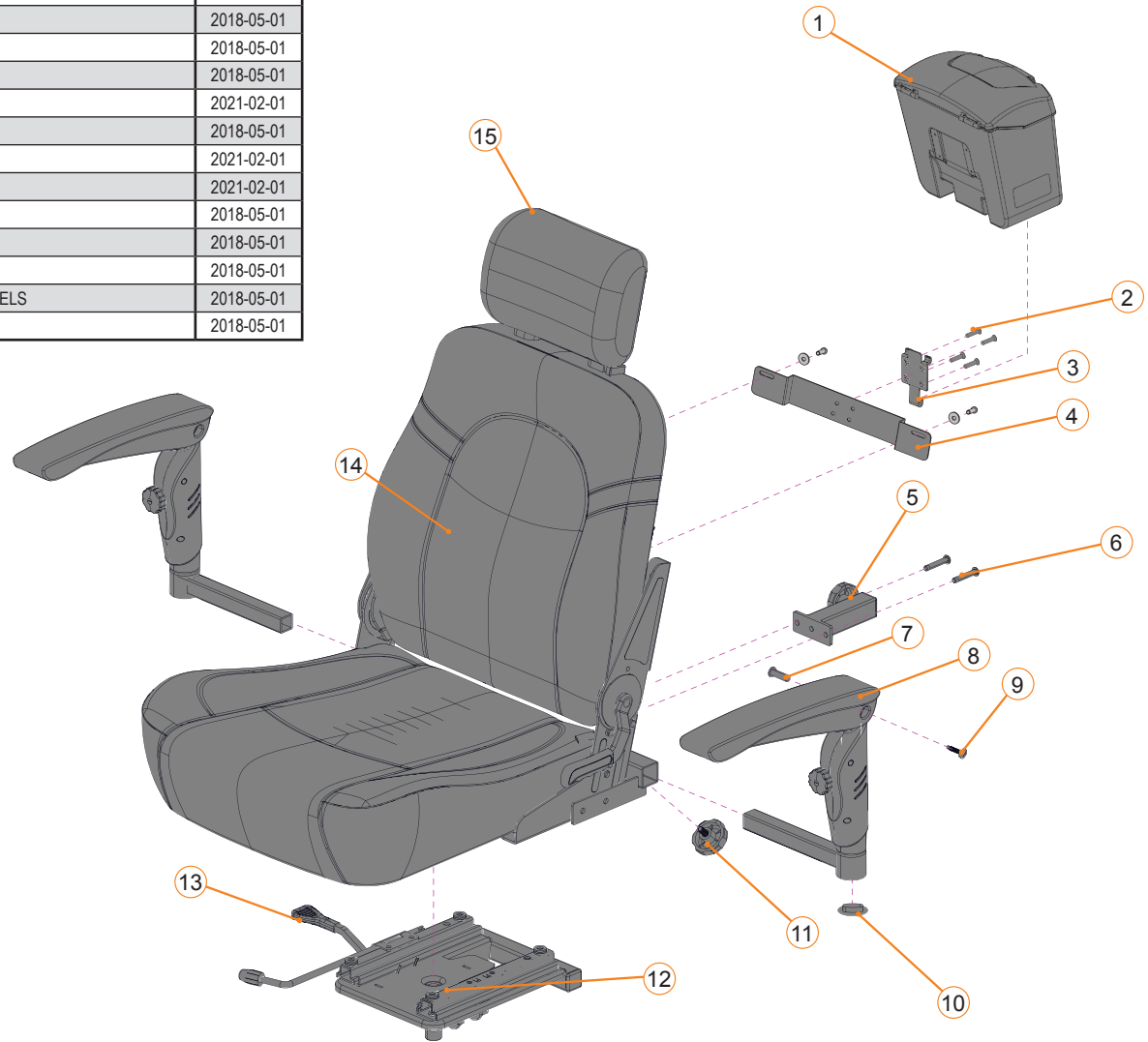
GS 300 - FRONT WHEELS			
PART #	ITEM #	DESCRIPTION	EFFECTIVE
1A	1003341	FRONT DECK GS300-21 CABERNET	2021-02-01
1B	1003342	FRONT DECK GS300-21 MATTE BLUE	2021-02-01
2A	1003352	FRONT DECK ANTI-SKID STICKER FOR GS200/300-21 - RH	2021-02-01
2B	1003351	FRONT DECK ANTI-SKID STICKER FOR GS200/300-21 - LH	2021-02-01
3	1002785	12" TIRE - GS300-21	2021-02-01
3-8	1002784	FRONT WHEEL ASSEMBLY(AIR,12") - GS300-19/20/21	2021-02-01
4	1002786	INNER TUBE FOR 12" TIRE - GS300-21	2021-02-01
5	1002787	OUTSIDE AL MAG GS300-19/20/21	2018-05-01
6	1002788	INSIDE STEEL RIM GS300-19/20/21	2018-05-01
7	1004609	WHEEL BEARING GS200 GS300/500-19/20/21	2018-05-01
8	1002789	FRONT HUB GS300-19/20/21	2021-02-01
9A	1003325	LH STEERING ARM SPINDLE ASS'Y GS300/500-21	2021-02-01
9B	1003326	RH STEERING ARM SPINDLE ASS'Y GS300/500-21	2021-02-01
9A, 10A, 11A, 20A	1004528	LH STEERING ARM SPINDLE ASS'Y W/ TIE ROD GS300-21	2021-02-01
9B, 10B, 11B, 20B	1004527	RH STEERING ARM SPINDLE ASS'Y W/ TIE ROD GS300-21	2021-02-01
10	1004894	RH/LH FRONT LOWER BEAM GS300-21	2021-02-01
11A	1004895	LH FRONT UPPER BEAM GS300-21	2021-02-01
11B	1004893	RH FRONT UPPER BEAM GS300-21	2021-02-01
12	K00022	ROUND PLASTIC END CAP 1-1/2	2018-05-01
13	1003900	FRONT BUMPER GS300-21 BLACK	2021-02-01
14	1003901	FRONT BUMPER COVER GS300-21 BLACK	2021-02-01
15A	1003346	LH HEADLIGHT CLEAR COVER GS200-21	2021-02-01
15B	1003347	RH HEADLIGHT CLEAR COVER GS200-21	2021-02-01
16	1003332	FRONT/REAR LH/RH TURNING LIGHT GS200-21	2018-05-01
17	1003331	HEADLIGHT ASS'Y GS300/500-19/20/21 GS200-21	2018-05-01
18A	1003348	LH HEADLIGHT REFLECTIVE BACK SILVER GS200-21	2021-02-01
18B	1003349	RH HEADLIGHT REFLECTIVE BACK SILVER GS200-21	2021-02-01
19	1003343	FRONT FACE COVER GS200/300-21	2021-02-01
20A	1004412	LH TIE ROD ASS'Y GS300-2021	2021-02-01
20B	1004413	RH TIE ROD ASS'Y GS300-2021	2021-02-01

GS 300 - BACK WHEELS			
PART #	ITEM #	DESCRIPTION	EFFECTIVE
1A	1003340	DRIVETRAIN W/ FENDER COVERS GS300-19/20/21 CAB	2018-05-01
1B	1003338	DRIVETRAIN W/ FENDER COVERS GS300-21 MATTE BLUE	2021-02-01
2	1003761	SPEED SENSOR ASS'Y W WIRE & CONNECTOR GS300/500-21	2021-02-01
3	1004542	EM BRAKE W/ 2 HANDLE GS200/300/GS500(800W)	2018-05-01
3,4,5	1003402	TRANSAXLE ASS'Y W/ MOTOR/BRAKE (800W) GS300-21	2018-05-01
4	1003306	MOTOR ONLY GS300-21	2021-02-01
5	1003305	TRANSAXLE ONLY GS300-21	2021-02-01
6	1003409	SPEED SENSING MAGNET GS300/500-21	2021-02-01
6,7,8A,9-12	1002792	REAR WHEEL ASS'Y(AIR,12")(L) W/ MAGNET GS300-21	2021-02-01
8A	1002793	LH REAR HUB GS300-19/20/21	2021-02-01
8B	1002791	RH REAR HUB GS300-19/20/21	2021-02-01
8B,9-12	1002790	REAR WHEEL ASS'Y(AIR,12") (R) - GS300-21	2021-02-01
9	1002788	INSIDE STEEL RIM GS300-19/20/21	2019-06-01
10	1002787	OUTSIDE AL MAG GS300-19/20/21	2019-06-01
11	1002786	INNER TUBE FOR 12" TIRE - GS300-21	2021-02-01
12	1002785	12" TIRE - GS300-21	2021-02-01
13	1004055	DRUM BRAKE ASSEMBLY GS300-19-20-21	2018-05-01
NOT SHOWN	1004225	MOTOR BRUSH GS300 2022-06	2022-06-01
NOT SHOWN	1004226	MOTOR BRUSH CAP GS300 2022-06	2022-06-01

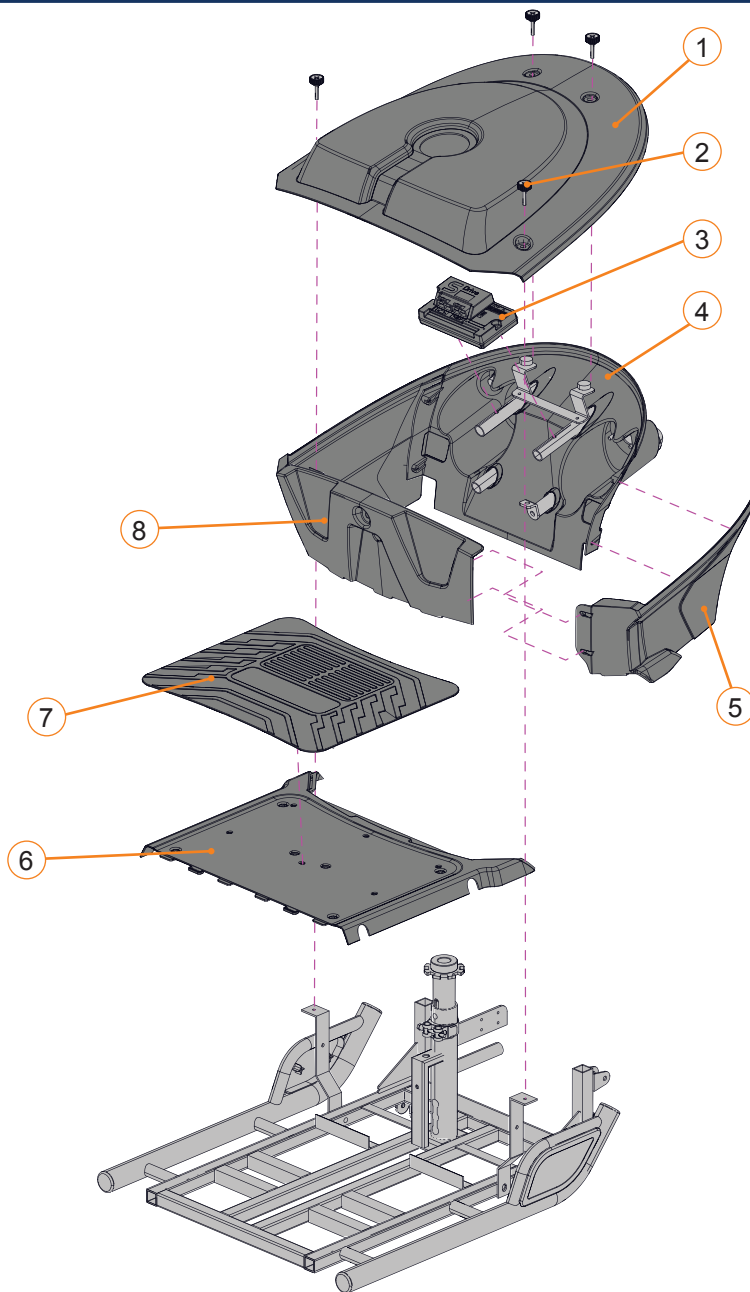


GS 300 - ELECTRICAL CIRCUIT								
PART #	ITEM #	DESCRIPTION	EFFECTIVE	PART #	ITEM #	DESCRIPTION	EFFECTIVE	
1	1004080	TURNING SPEED CONTROL SENSOR (GYRO) GS300/500-21	2021-02-01	12	1004739	CIRCUIT BREAKER ASS'Y W/ WIRE/CONN/BRACKET GS300	2018-05-01	
2	1004222	MAIN HARNESS ASSEMBLY GS300 2021	2021-02-01	13	1004744	HARNESS ASSEMBLY FOR TURNING LIGHTS GS300-21	2021-02-01	
3,4	1003761	SPEED SENSOR ASS'Y W WIRE & CONNECTOR GS300/500-21	2021-02-01	14	1003331	HEADLIGHT ASS'Y GS300/500-19/20/21 GS200-21	2021-02-01	
5	1003461	CONTROLLER (PG S-120A) GS300-21	2021-02-01	15	1003332	FRONT/REAR LH/RH TURNING LIGHT GS200-21	2021-02-01	
6	1004613	ADAPTER WIRE TO MOTOR AND EM BRAKE GS200/300/500	2018-05-01	16	1004463	CHARGING PORT GS200-21 GS300/500-19/20/21	2018-05-01	
7	1004746	USB PORT GS200/GS300-21	2021-02-01	17	D00299	BATTERY CHARGER, CLIPLIGHT 24V / 8 AMP (E2366)	2018-05-01	
8	1004478	TAILLIGHT W/ TURNING LIGHT GS300-21 GS500-19/20/21	2021-02-01					
9	BAT-AGM-1255	CG POWER AGM BATTERY	2021-02-01					
10	1003787	BATTERY CABLE I GS300/500-19/20/21	2018-05-01					
11	1004088	BATTERY CABLE II GS300/500-19/20/21	2018-05-01					

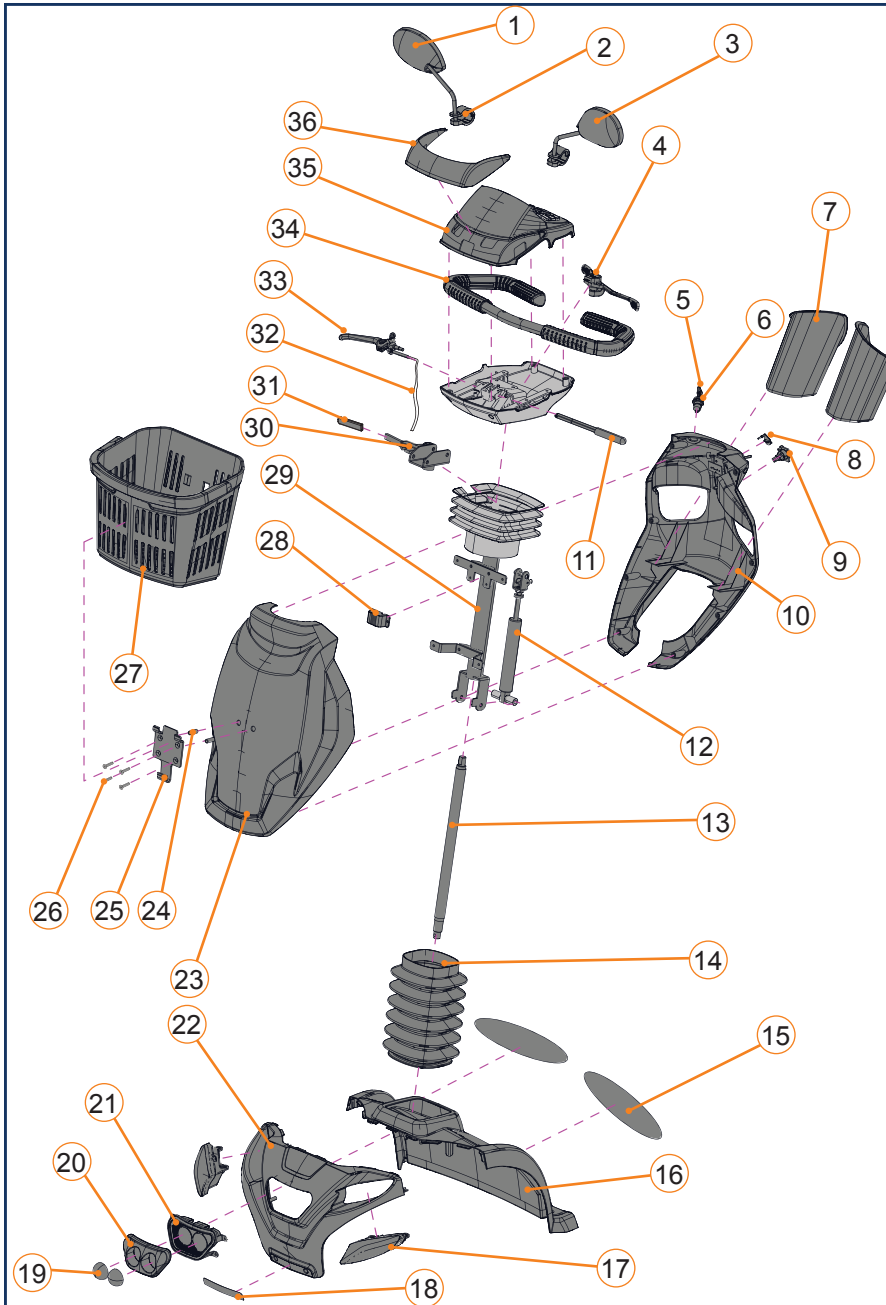
GS 500 - SEAT			
PART #	ITEM #	DESCRIPTION	EFFECTIVE
1A,2,3,4	1003544*	KIT REAR STORAGE BOX GS200/GS300/GS500 - MAT BLUE	2021-02-01
1B,2,3,4	1003545*	KIT REAR STORAGE BOX GS200/GS300/GS500 - CABERNET	2018-05-01
1A,2,3	1003542*	KIT FRONT STORAGE BOX GS200/GS300/GS500 - MAT BLUE	2021-02-01
1B,2,3	1003543*	KIT FRONT STORAGE BOX GS200/GS300/GS500 - CABERNET	2018-05-01
2	1002634	SCREW, FH, HS, M5 X 10, ZN, BLK	2018-05-01
3	1002846	BRACKET 5-HOLE FRONT AND REAR LOCK BOX	2018-05-01
4	1002867	LONG BRACKET REAR LOCK BOX	2018-05-01
5-6	1004480	ACCESSORY BRACKET KIT GS200/300/500-19/20/21	2018-05-01
5,6,12-15	1003741	SEAT ASS'Y W SWIVEL PLATE&SLIDES GS300/500-21	2021-02-01
7	1000984	SCREW, CH, HS, M8 X 1.25 X 40, ZN, BLK	2018-05-01
7,8A,9,10	1003733	LH ARM ASS'Y 17" GS500-21	2021-02-01
7,8B,9,10	1003734	RH ARM ASS'Y 17" GS500-21	2021-02-01
9	E00211	NUT, NYL LCK, M8 X 1.25, ZN, BLK	2018-05-01
10	K00022	ROUND PLASTIC END CAP 1-1/2	2018-05-01
11	1004479	KNOB (M8*15L) ALL MODELS	2018-05-01
13	1004891	COVER FOR SEAT SWIVEL PLATE LEVER ALL GS MODELS	2018-05-01
15	1004477	HEAD REST GS300/500-19/20/21	2018-05-01



*Sold separately. Can be installed on the front of the scooter or on the back

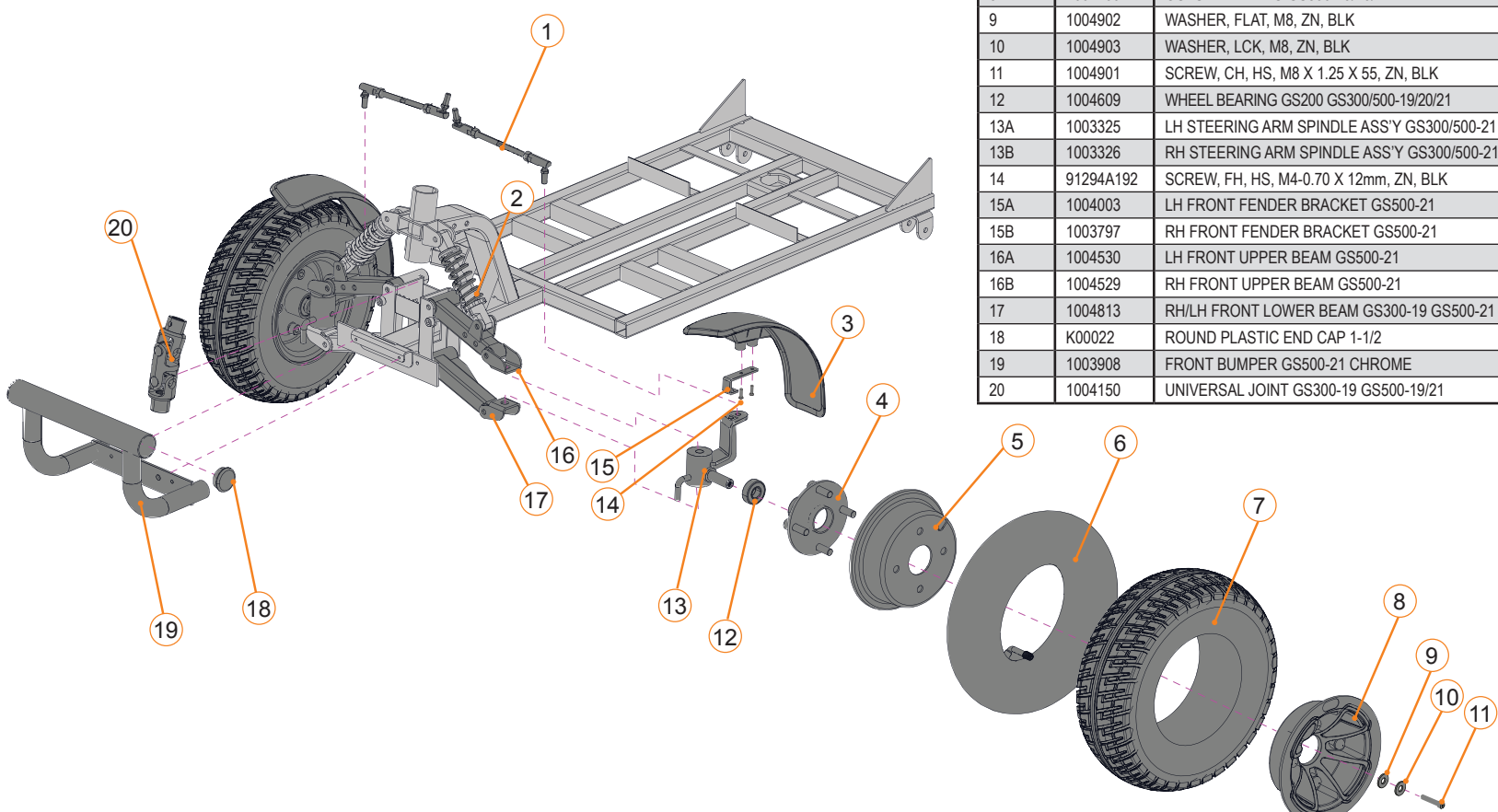


GS 500 - BACK FRAME			
PART #	ITEM #	DESCRIPTION	EFFECTIVE
1A	1004090	BATTERY TOP COVER GS500-19/20/21 CABERNET	2018-05-01
1B	1004091	BATTERY TOP COVER GS500-21 MATTE BLUE	2021-02-01
2	1004081	BATTERY BOX TOP COVER SCREW GS200/300/500-21	2021-02-01
3	1003464	CONTROLLER (PG S-140A) GS300-19/20 GS500-19/20/21	2018-05-01
4	1003773	BATTERY REAR COVER PLASTIC W LIGHT GS500-19/20/21	2018-05-01
5B	1003779	BATTERY SIDE COVER RIGHT GS500-19/20/21	2018-05-01
5A	1003780	BATTERY SIDE COVER LEFT GS500-19/20/21	2018-05-01
6A	1004731	CENTER DECK GS500-19/21 CABERNET	2021-02-01
6B	1003333	CENTER DECK GS500-21 MATTE BLUE	2021-02-01
7	1003370	FLOOR MAT GS500-21	2021-02-01
8	1003778	BATTERY FRONT COVER GS500-2019/2020/2021	2018-05-01



GS 500 - HANDLEBAR

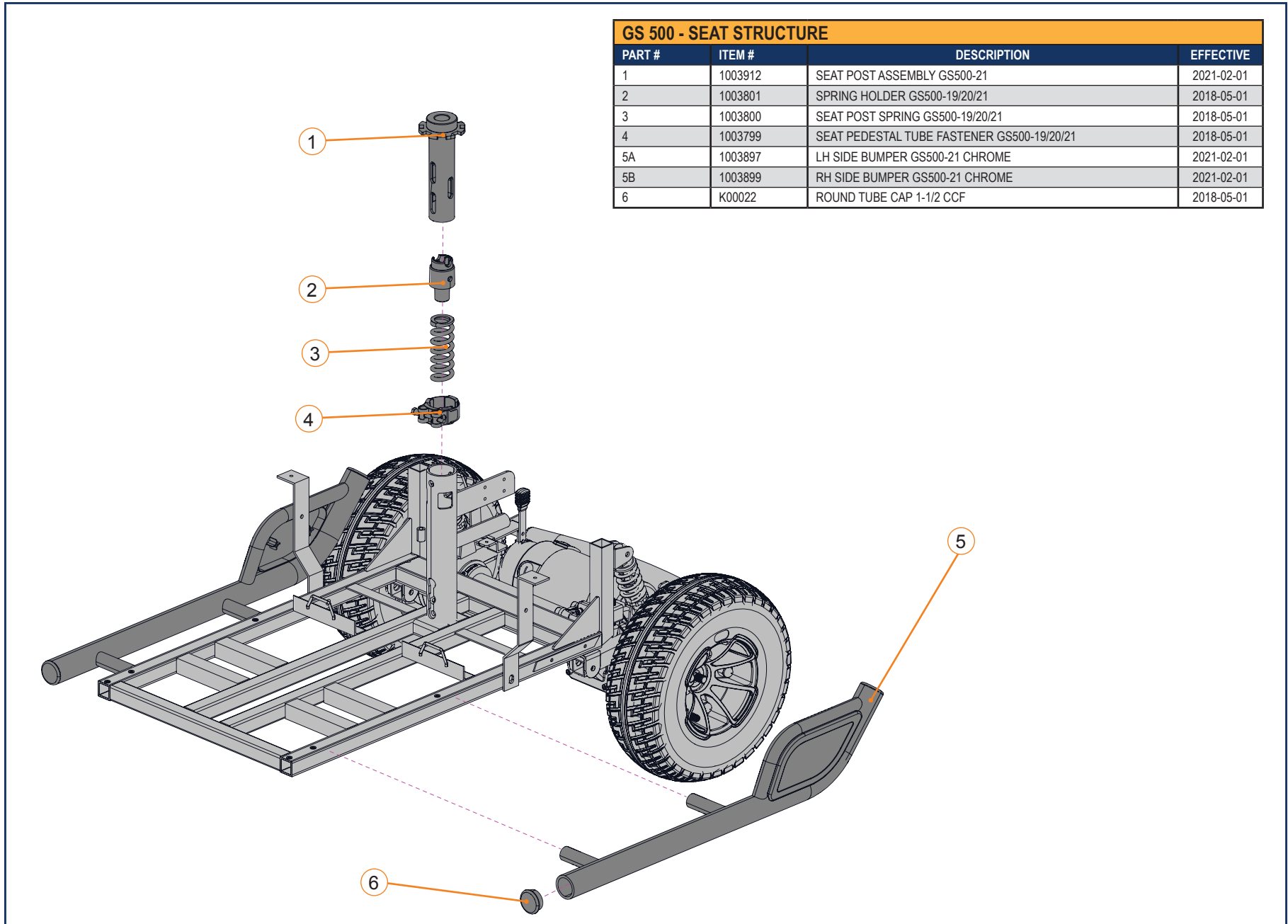
PART #	ITEM #	DESCRIPTION	EFFECTIVE
1,3	3003700030	MIRRORS LH/RH (PR) W/O BRACKET - ALL GS MODELS	2015-05-01
4	1003805	SPEED CONTROL PADDLE ASS'Y GS500-21	2021-02-01
4,35	1002839	LCD DASHBOARD W/ SPEED CTRL ASS'Y GS500-21	2021-02-01
5	1003538	SPARE KEYS (PAIR) - ALL GS MODELS 19/20/21	2018-05-01
6	1003774	KEY SWITCH GS200-21 GS300-500-19/20/21	2018-05-01
7A	1004565	LH CUP HOLDER GS300-19 GS500-19/20/21	2018-05-01
7B	1004566	RH CUP HOLDER GS300-19 GS500-19/20/21	2018-05-01
8	1004474	USB PORT GS300-19 GS500-19/20/21	2018-05-01
9	1004463	CHARGING PORT GS200-21 GS300/500-19/20/21	2018-05-01
10	1004488	REAR TILLER COVER (PLASTIC) GS300-19 GS500-19/21	2018-05-01
11,12,13,29-31	1004533	TILLER HANDLE ASSEMBLY GS300-19/20 GS500-19/20/21	2018-05-01
12	1003467	TILLER SHOCK GS300-19/20 GS500-19/20/21	2018-05-01
14	1004812	TILLER BOOT GS300-19 GS500-19/21	2018-05-01
15	1003371	FRONT DECK ANTI-SKID STICKER GS300-19/20 GS500-21	2021-02-01
16	1004740	FRONT DECK GS500-19/21	2018-05-01
17A	1003298	FRONT RH TURNING LIGHT ASS'Y GS300-19 GS500-19/21	2018-05-01
17B	1003297	FRONT LH TURNING LIGHT ASS'Y GS300-19 GS500-19/21	2018-05-01
18	1003372	FRONT REFLECTOR (WHITE) GS300-19/20 GS500-19/20/21	2018-05-01
19	1003331	HEADLIGHT ASS'Y GS300/500-19/20/21 GS200-21	2018-05-01
20	1003364	HEADLIGHT CLEAR COVER GS300-19/20 GS500-19/20/21	2018-05-01
21	1003365	HEADLIGHT REFLECT. BACK GS300-19/20 GS500-19/20/21	2018-05-01
22A	1003362	FRONT FACE COVER GS300-19/20 GS500-21 CABERNET	2021-02-01
22B	1003363	FRONT FACE COVER GS500-21 MATTE BLUE	2021-02-01
23A	1003358	TILLER FRONT COVER GS300-19/20 GS500-19/20/21 CAB.	2018-05-01
23B	1003359	TILLER FRONT COVER GS500-21 MATTE BLUE	2021-02-01
24	1003775	COLUMN SPACER	2018-05-01
25	1002846	BRACKET 5-HOLE FRONT AND REAR LOCK BOX	2018-05-01
26	1002634	SCREW, FH, HS, M5 X 10, ZN, BLK	2018-05-01
27	1003541	FOLDING BASKET GS300/500-19/20/21 GS200-21	2018-05-01
28	1004080	TURNING SPEED CONTROL SENSOR (GYRO) GS500-21	2021-02-01
30,31	1004818	TILLER HEAD ANGLE ADJ ASS'Y GS300-19 GS500-19/21	2018-05-01
31	1003356	DASHBOARD ANGLE HANDLE COVER GS300-19 GS500-19/21	2018-05-01
32	1004472	CABLE FOR MANUAL BRAKE GS500-19/20/21	2018-05-01
33	1003401	MAN BRAKE ASS'Y W/ BRAKE LIGHT SW GS300/500-19/21	2018-05-01
36A	1002841	DASHBOARD SNAP-ON COVER GS500-21 CABERNET	2021-02-01
36B	1002840	DASHBOARD SNAP-ON COVER GS500-21 MATTE BLUE	2021-02-01

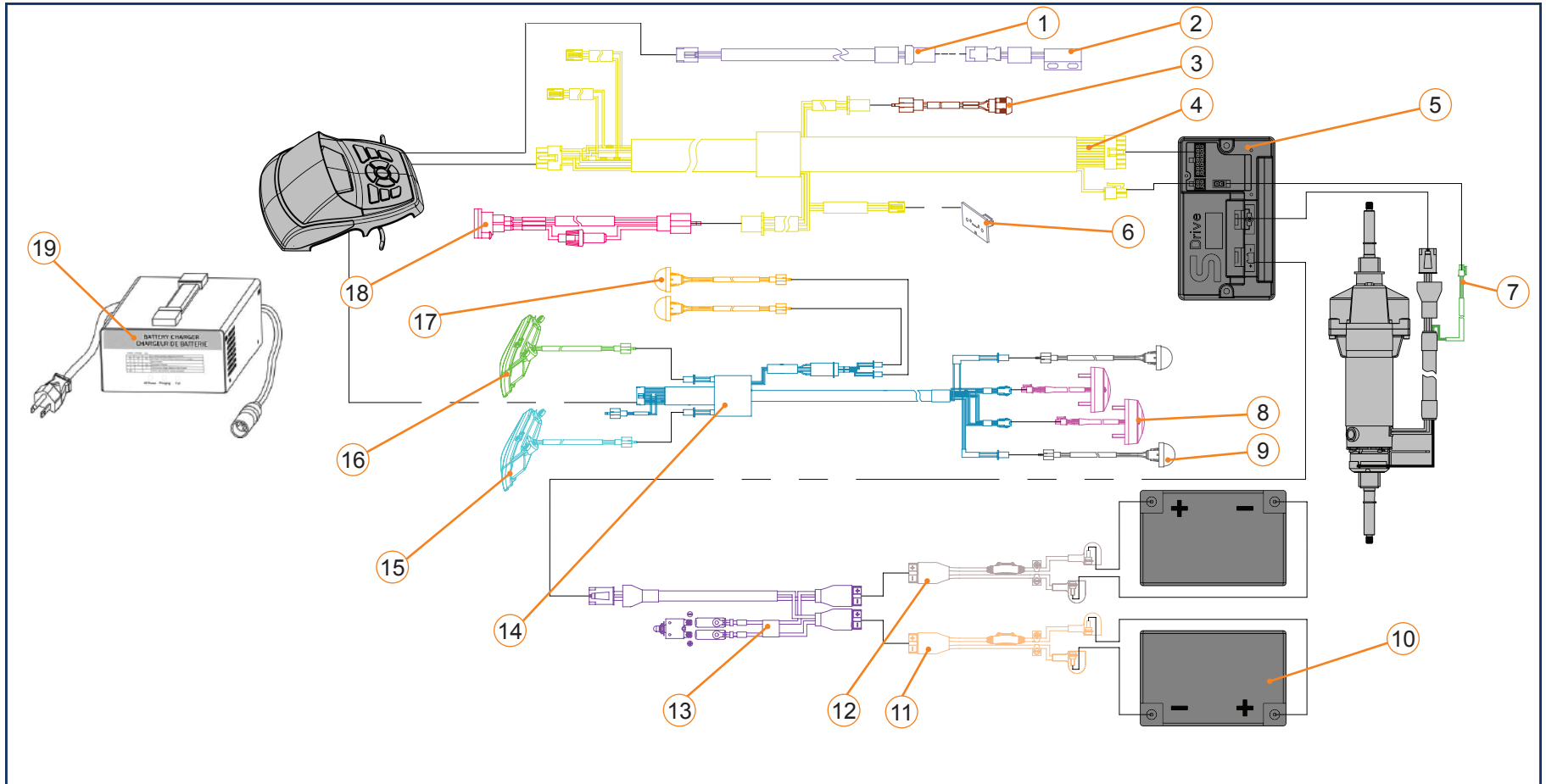


GS 500 - FRONT WHEELS			
PART #	ITEM #	DESCRIPTION	EFFECTIVE
1	1004414	TIE ROD ASS'Y (LH/RH) GS300-19/20 GS500-19/20/21	2018-05-01
2	1004217	FRONT SUSPENSION SHOCK GS500 2021	2021-02-01
3A	1003388	LH FRONT FENDER GS500-19/20/21 CABERNET	2018-05-01
3B	1003389	LH FRONT FENDER GS500-21 MATTE BLUE	2021-02-01
3C	1003391	RH FRONT FENDER GS500-19/20/21 CABERNET	2018-05-01
3D	1003392	RH FRONT FENDER GS500-21 MATTE BLUE	2021-02-01
4	1002797	MOYEU DE ROUE AVANT GS500 2021	2021-02-01
4-8,12	1002794	FRONT WHEEL ASSEMBLY(AIR,13") - GS500-21	2021-02-01
5	1002798	INSIDE STEEL RIM GS500-21	2021-02-01
6	1002796	INNER TUBE FOR 13" TIRE - GS500-19/20/21	2021-02-01
7	1002795	13" TIRE - GS500-21	2021-02-01
8	1002799	OUTSIDE AL MAG GS500-19/20/21	2021-02-01
9	1004902	WASHER, FLAT, M8, ZN, BLK	2018-05-01
10	1004903	WASHER, LCK, M8, ZN, BLK	2018-05-01
11	1004901	SCREW, CH, HS, M8 X 1.25 X 55, ZN, BLK	2018-05-01
12	1004609	WHEEL BEARING GS200 GS300/500-19/20/21	2018-05-01
13A	1003325	LH STEERING ARM SPINDLE ASS'Y GS300/500-21	2021-02-01
13B	1003326	RH STEERING ARM SPINDLE ASS'Y GS300/500-21	2021-02-01
14	91294A192	SCREW, FH, HS, M4-0.70 X 12mm, ZN, BLK	2018-05-01
15A	1004003	LH FRONT FENDER BRACKET GS500-21	2018-05-01
15B	1003797	RH FRONT FENDER BRACKET GS500-21	2018-05-01
16A	1004530	LH FRONT UPPER BEAM GS500-21	2021-02-01
16B	1004529	RH FRONT UPPER BEAM GS500-21	2021-02-01
17	1004813	RH/LH FRONT LOWER BEAM GS300-19 GS500-21	2021-02-01
18	K00022	ROUND PLASTIC END CAP 1-1/2	2018-05-01
19	1003908	FRONT BUMPER GS500-21 CHROME	2021-02-01
20	1004150	UNIVERSAL JOINT GS300-19 GS500-19/21	2018-05-01

GS 500 - BACK WHEELS

PART #	ITEM #	DESCRIPTION	EFFECTIVE
1A	1003336	RH REAR FENDER GS500-21 CABERNET	2021-02-01
1B	1003337	RH REAR FENDER GS500-21 MATTE BLUE	2021-02-01
1C	1003334	LH REAR FENDER GS500-21 CABERNET	2021-02-01
1D	1003335	LH REAR FENDER GS500-21 MATTE BLUE	2021-02-01
2	1003909	REAR BUMPER GS500-21 CHROME	2021-02-01
3	K00022	ROUND PLASTIC END CAP 1-1/2	2018-05-01
4	E00282	SCREW, PNH, PH OR QX, M4 X 0.7 X 8, ZN, BLK	2021-02-01
5A	1004898	LH REAR FENDER UPPER BRACKET GS500-21	2021-02-01
5B	1004899	RH REAR FENDER UPPER BRACKET GS500-21	2021-02-01
6A	1004897	LH REAR FENDER LOWER BRACKET GS500-21	2021-02-01
6B	1004900	RH REAR FENDER LOWER BRACKET GS500-21	2021-02-01
7	1004901	SCREW, CH, HS, M8 X 1.25 X 55, ZN, BLK	2021-02-01
8	1003761	SPEED SENSOR ASS'Y W WIRE & CONNECTOR GS300/500-21	2021-02-01
9	1003308	MOTOR ONLY GS500-21	2021-04-01
9,10,20	1003472	TRANSAXLE ASS'Y W/ MOTOR/BRAKE (1100W) GS500-21	2021-04-01
10	1003532	TRANSAXLE ONLY GS500-21	2021-04-01
11	1003409	SPEED SENSING MAGNET GS300/500-21	2021-02-01
11-17	1002833	REAR WHEEL ASS'Y(AIR,13")(L) W/ MAGNET GS500-21	2021-02-01
13	1002801	REAR HUB GS500-21	2021-02-01
13-17	1002800	REAR WHEEL ASSEMBLY(AIR,13") (R) GS500-21	2021-02-01
14	1002798	INSIDE STEEL RIM GS500-21	2021-02-01
15	1002796	INNER TUBE FOR 13" TIRE - GS500-19/20/21	2021-02-01
16	1002795	13" TIRE - GS500-21	2021-02-01
17	1002799	OUTSIDE AL MAG GS500-19/20/21	2021-02-01
18	E00247	WASHER, FLAT, 1/2, ZN, BLK	2018-05-01
19	E00221	NUT, NYL LCK, 1/2-20, ZN, BLK	2018-05-01
20	1003304	ELECTROMAGNETIC BRAKE ONLY GS500-21	2021-04-01
21	1004054	DRUM BRAKE ASSEMBLY GS500-19-20-21	2018-05-01
NOT SHOWN	1003609	TRANSAXLE (1100W) SNAP RING GS500-21	2021-02-01
NOT SHOWN	1003610	TRANSAXLE (1100W) OIL SEAL CAP GS500-21	2021-04-01
NOT SHOWN	1004229	MOTOR BRUSH GS500 2021 (1100W)	2021-04-01
NOT SHOWN	1004230	MOTOR BRUSH CAP GS500 2021 (1100W)	2021-04-01





GS 500 - ELECTRICAL CIRCUIT							
PART #	ITEM #	DESCRIPTION	EFFECTIVE	PART #	ITEM #	DESCRIPTION	EFFECTIVE
1,2	1003761	SPEED SENSOR ASS'Y W WIRE & CONNECTOR GS300/500-21	2021-02-01	12	1004088	BATTERY CABLE II GS300/500-19/20/21	2018-05-01
3	1003774	KEY SWITCH GS200-21 GS300-500-19/20/21	2018-05-01	13	1004737	CIRCUIT BREAKER ASS'Y W/ WIRE/CON/BRACKET GS500-21	2021-02-01
4	1004218	MAIN HARNESS ASSEMBLY GS500 2021	2021-02-01	14	1004741	HARNESS ASSEMBLY FOR TURNING LIGHTS G500-19/21	2018-05-01
5	1003464	CONTROLLER (PG S-140A) GS300-19/20 GS500-19/20/21	2018-05-01	15	1003297	FRONT LH TURNING LIGHT ASS'Y GS300-19 GS500-19/21	2018-05-01
6	1004474	USB PORT GS300-19 GS500-19/20/21	2018-05-01	16	1003298	FRONT RH TURNING LIGHT ASS'Y GS300-19 GS500-19/21	2018-05-01
7	1004613	ADAPTER WIRE TO MOTOR AND EM BRAKE GS200/300/500	2018-05-01	17	1003331	HEADLIGHT ASS'Y GS300/500-19/20/21 GS200-21	2018-05-01
8	1004478	TAILLIGHT W/ TURNING LIGHT GS300-21 GS500-19/20/21	2018-05-01	18	1004463	CHARGING PORT GS200-21 GS300/500-19/20/21	2018-05-01
9	1003332	FRONT/REAR LH/RH TURNING LIGHT GS200-21	2018-05-01	19	D00299	BATTERY CHARGER, CLIPLIGHT 24V / 8 AMP (E2366)	2018-05-01
10	B00409	CG POWER AGM BATTERY GR.24 12V 75AH	2021-02-01				
11	1003787	BATTERY CABLE I GS300/500-19/20/21	2018-05-01				