

7.1 - ELECTRONICS

7.1.1 - POWER SEAT FUNCTION - EPSV/EPSEL

- EPSV-T/EPSEL-T 7.1.1.1
- EPSV-R/EPSEL-R 7.1.1.2
- EPSV-E/EPSEL-E 7.1.1.3
- EPSV-F/EPSEL-F 7.1.1.4
- EPSV-LL/EPSEL-LL 7.1.1.5
- SINGLE POWER TILT THROUGH VR2 CONTROLLER 7.1.1.6
- SINGLE POWER ELEVATE THROUGH R2 CONTROLLER 7.1.1.7
- SINGLE POWER TILT THROUGH RNET CONTROLLER 7.1.1.8
- SINGLE POWER ELEVATE THROUGH RNET CONTROLLER 7.1.1.9

7.1.2 - POWER SEAT FUNCTION - SOLO

- SOLO-A-T 7.1.2.1
- SO LO-T / SOLO-A-T-VHD 7.1.2.2
- SOLO-A-E 7.1.2.3
- SOLO-E / SOLO-A-E-HD 7.1.2.4
- SOLO-A-R 7.1.2.5
- SOLO-R 7.1.2.6
- SOLO-F / SOLO-A-F 7.1.2.7
- SOLO-LL / SOLO-A-LL 7.1.2.8

7.1.3 - POWER SEAT FUNCTION - SAC/DACD

- SAC-AMRNET-T 7.1.3.1
- SAC-AMRNET-A-T/DACD-AMRNET-T 7.1.3.2
- SAC-A-T-EBX/DACD-A-T-EBX 7.1.3.3
- SAC-AMRNET-E 7.1.3.4
- SAC-AMRNET-A-E/DACD-AMRNET-A-E 7.1.3.5
- SAC-A-E-EBX/DACD-A-E-EBX 7.1.3.6
- SAC-AMRNET-A-E-HD 7.1.3.7
- SAC-AMRNET-A-R/DACD-AMRNET-R 7.1.3.8
- SAC-AMRNET-R 7.1.3.9
- SAC-A-R-EBX/DACD-A-R-EBX 7.1.3.10
- SAC-AMRNET-A-F/DACD-AMRNET-F 7.1.3.11
- SAC-AMRNET-F 7.1.3.12
- SAC-A-F-EBX/DACD-A-F-EBX 7.1.3.13
- SAC-AMRNET-A-LL/DACD-AMRNET-LL 7.1.3.14
- SAC-AMRNET-LL 7.1.3.15
- SAC-A-LL-EBX/DACD-A-LL-EBX 7.1.3.16

- SAC-AMRNET-A-TE 7.1.3.17
- SAC-AMRNET-TE 7.1.3.18
- SAC-AMRNET-A-TE-HD 7.1.3.19
- TILT ELEVATE - RNET 7.1.3.20
- SAC-AMRNET-A-EF 7.1.3.21
- SAC-A-EF-EBX 7.1.3.22
- SAC-AMRNET-A-EF-HD 7.1.3.23
- ELEVATE FOOTBOARD - RNET 7.1.3.24
- SAC-AMRNET-A-ELL 7.1.3.25
- SAC-A-ELL-EBX 7.1.3.26
- SAC-AMRNET-A-ELL-HD 7.1.3.27
- LEFT AND RIGHT LEG ELEVATE - RNET 7.1.3.28
- SAC-AMRNET-A-RE 7.1.3.29
- SAC-A-RE-EBX 7.1.3.30
- SAC-AMRNET-A-RE-HD 7.1.3.31

7.2.1 - POWER SEAT FUNCTIONS - EPSV

- EPSV2-TF 7.2.1.1
- EPSV2-TLL 7.2.1.2
- EPSV2-EF / EPSV-EF 7.2.1.3
- EPSV2-ELL / EPSV-ELL 7.2.1.4
- EPSV2-RF 7.2.1.5
- EPSV2-RLL 7.2.1.6

7.2.2 - POWER SEAT FUNCTIONS - SOLO

- SOLO-A-TE 7.2.2.1
- SOLO-TE 7.2.2.2
- SOLO-A-TE-HD 7.2.2.3
- SOLO-A-EF 7.2.2.4
- SOLO-A-EF-HD 7.2.2.5
- SOLO-A-ELL 7.2.2.6
- SOLO-A-ELL-HD 7.2.2.7
- SOLO-A-RE 7.2.2.8
- SOLO-A-RE-HD 7.2.2.9

7.2.3 - POWER SEAT FUNCTIONS - MAC/MACD/MPF

- MAC-A-T-EBX 7.2.3.1
- MAC-A-TF 7.2.3.2
- MAC-A-TF-VHD 7.2.3.3
- MAC-A-TLL 7.2.3.4

- MAC-A-TTL-VHD 7.2.3.5
- MAC-A-TR-EBX/MACD-A-TR-EBX/MPF-A-TR-EBX 7.2.3.6
- TILT RECLINE - RNET 7.2.3.7
- MAC-A-TF-EBX/MACD-A-TF-EBX/MPF-A-TF-EBX 7.2.3.8
- SAC-A-TE / MAC-A-TE-EBX / MPF-A-TE-EBX / MACD-A-TE-EBX 7.2.3.9
- SAC-A-EF-EBX / MAC-A-EF-EBX / MPF-A-EF-EBX 7.2.3.10
- SAC-A-ELL-EBX / MAC-A-ELL-EBX / MPF-ELL-EBX 7.2.3.11
- SAC-A-RE-EBX / MAC-A-RE-EBX / MPF-A-RE-EBX 7.2.3.12
- TILT FOOTBOARD - RNET 7.2.3.13
- MAC-A-TLL-EBX/MACD-A-TLL-EBX/MPF-A-TLL-EBX 7.2.3.14
- TILT LEFT AND RIGHT LEG - RNET 7.2.3.15
- MAC-A-TRE-EBX/MACD-A-TRE-EBX/MPF-A-TRE-EBX 7.2.3.16
- TILT RECLINE ELEVATE - RNET 7.2.3.17
- MAC-A-TRF-EBX/MACD-A-TRF-EBX/MPF-A-TRF-EBX 7.2.3.18
- TILT RECLINE FOOTBOARD - RNET 7.2.3.19
- MAC-A-TRLL-EBX/MACD-A-TRLL-EBX/MPF-A-TRLL-EBX 7.2.3.20
- TILT RECL LH + RH LEG - RNET 7.2.3.21
- MAC-A-TFE-EBX/MACD-A-TFE-EBX/MPF-A-TFE-EBX 7.2.3.22
- TILT FOOTBOARD ELEVATE - RNET 7.2.3.23
- MAC-A-TLLE-EBX/MACD-A-TLLE-EBX/MPF-A-TLLE-EBX 7.2.3.24
- TILT LH + RH LEG ELEVATE - RNET 7.2.3.25
- MAC-A-TRLLE-EBX/MACD-A-TRLLE-EBX/MPF-A-TRLLE-EBX 7.2.3.26
- TILT RECLINE LH + RH LEG ELEVATE - RNET 7.2.3.27
- RECLINE FOOTBOARD ELEVATE - RNET 7.2.3.28
- TILT RECLINE FOOTBOARD ELEVATE - RNET 7.2.3.29
- MAC-A-TRFE-EBX / MPF-A-TRFE-EBX 7.2.3.30
- MAC-A-TRFS-EBX 7.2.3.31
- MAC-A-TRFES-EBX 7.2.3.32

7.3.1 - EXTERNAL ACTIVATION OPTIONS

- EXTERNAL ACTIVATION INTERFACE BOX - RNET 7.3.1.1
- PUSH BUTTON 7.3.1.2
- TOGGLE SWITCH 7.3.1.3
- KEYPAD WITH PUSH BUTTON SWITCHES 7.3.1.4
- KEYPAD WITH TOGGLE SWITCHES 7.3.1.5
- SPECIALITY SWITCHES 7.3.1.6

LEGEND

CURRENT

• These parts and assemblies are currently being produced and delivered.*

SERVICEABLE PARTS

• These parts and assemblies are not currently being produced or delivered on new chairs, but they are available as replacement service parts.*

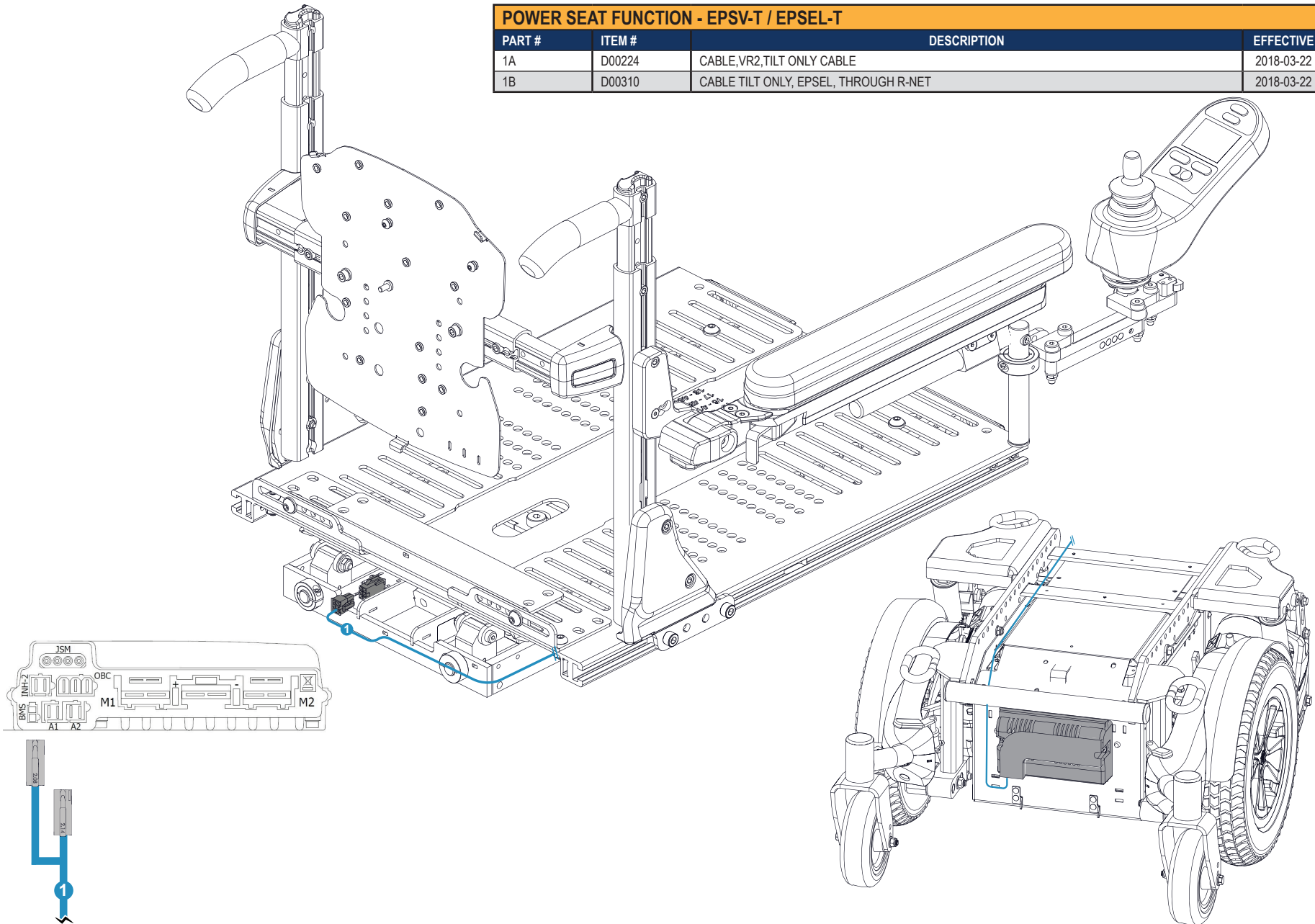
DISCONTINUED

• These parts and assemblies are no longer being produced or delivered on new chairs, and they are not available as replacement service parts.*

* Please contact Technical Support for information on the replacement parts and assemblies.

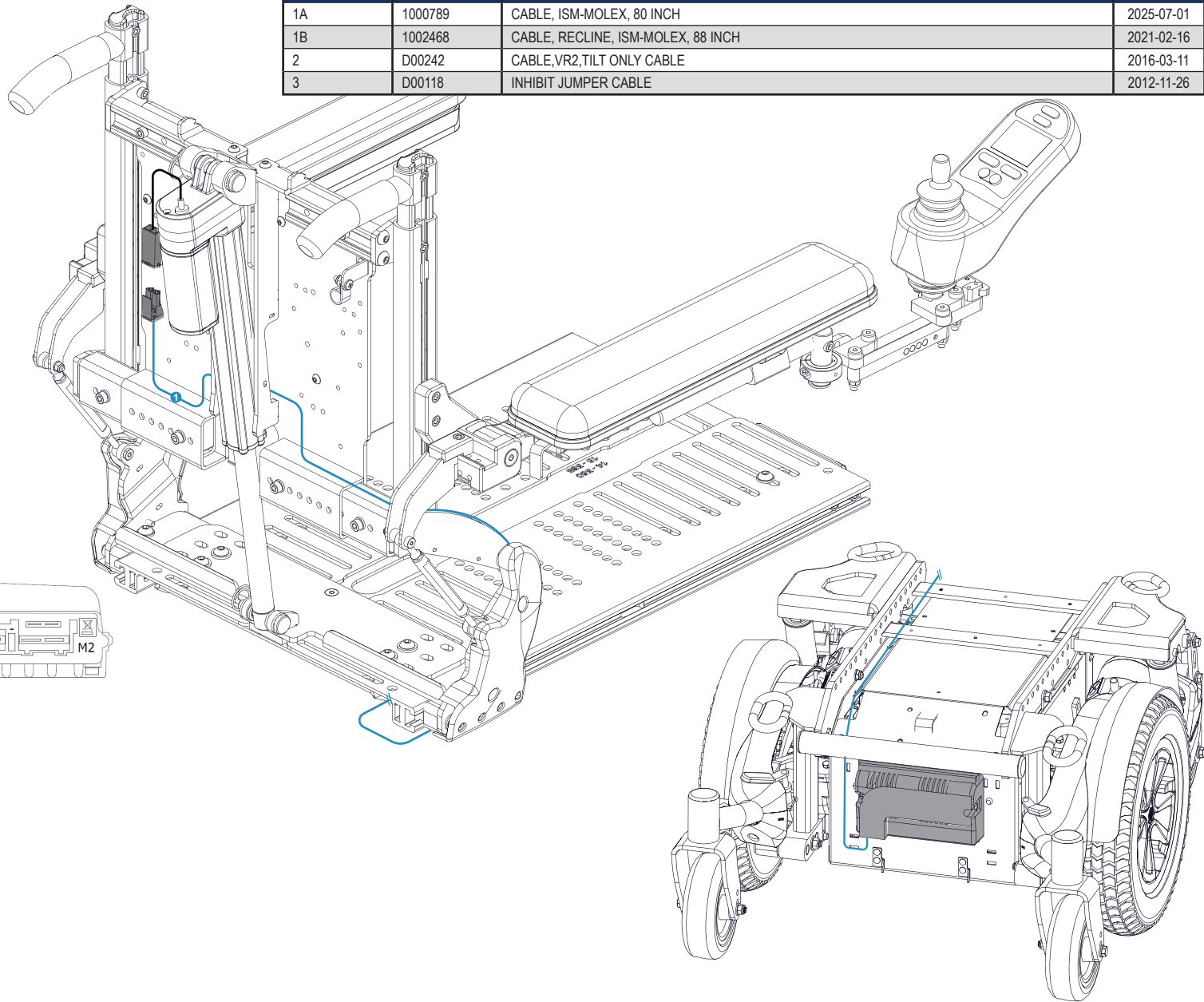
POWER SEAT FUNCTION - EPSV-T / EPSEL-T

PART #	ITEM #	DESCRIPTION	EFFECTIVE
1A	D00224	CABLE,VR2,TILT ONLY CABLE	2018-03-22
1B	D00310	CABLE TILT ONLY, EPSEL, THROUGH R-NET	2018-03-22



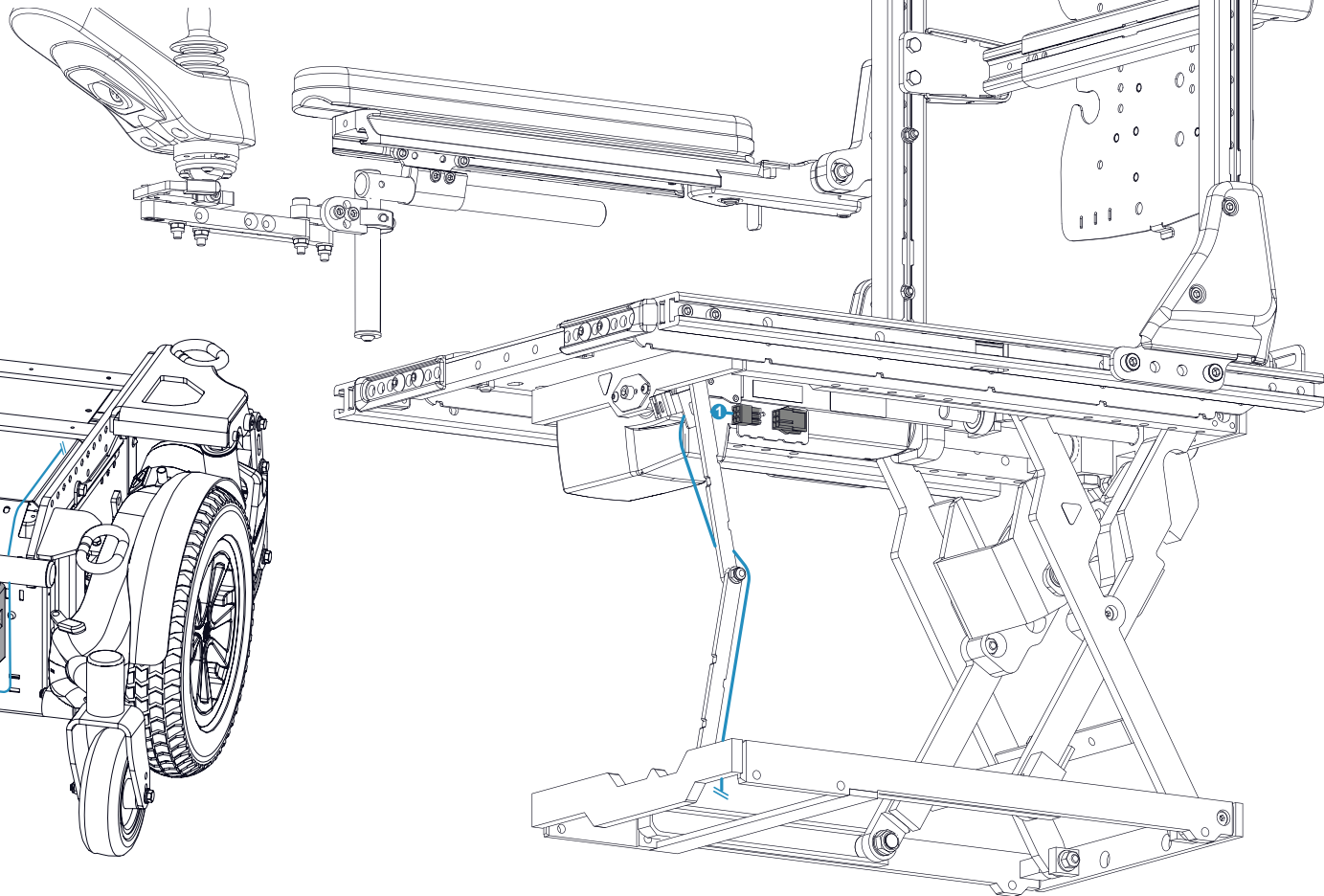
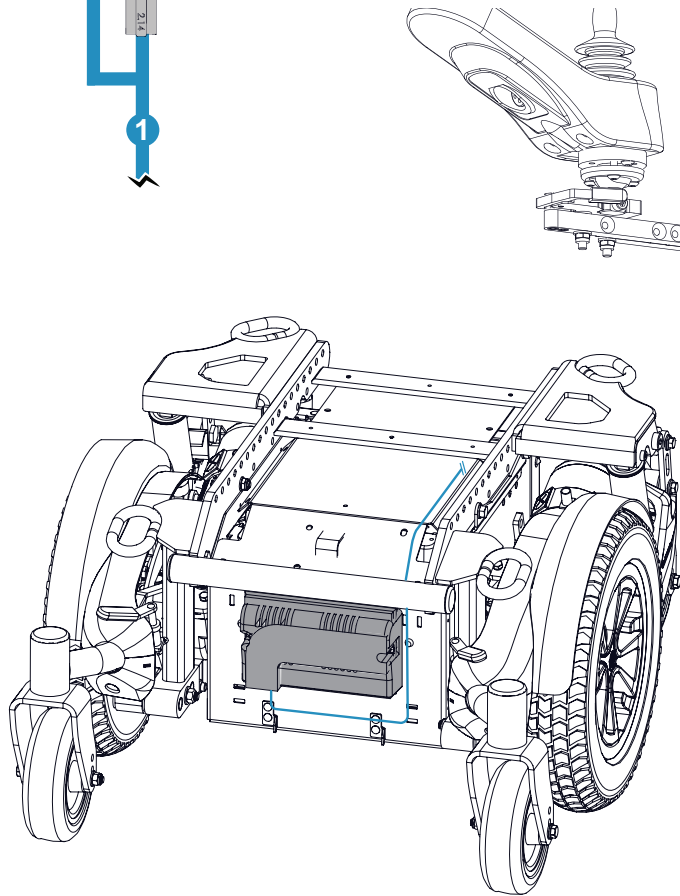
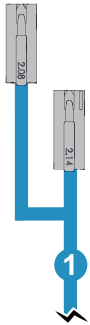
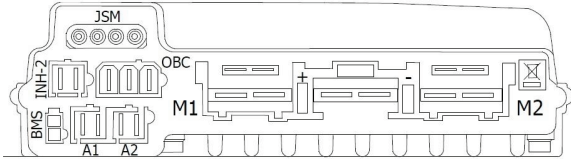
POWER SEAT FUNCTION - EPSV-R / EPSEL-R

PART #	ITEM #	DESCRIPTION	EFFECTIVE
1A	1000789	CABLE, ISM-MOLEX, 80 INCH	2025-07-01
1B	1002468	CABLE, RECLINE, ISM-MOLEX, 88 INCH	2021-02-16
2	D00242	CABLE,VR2,TILT ONLY CABLE	2016-03-11
3	D00118	INHIBIT JUMPER CABLE	2012-11-26

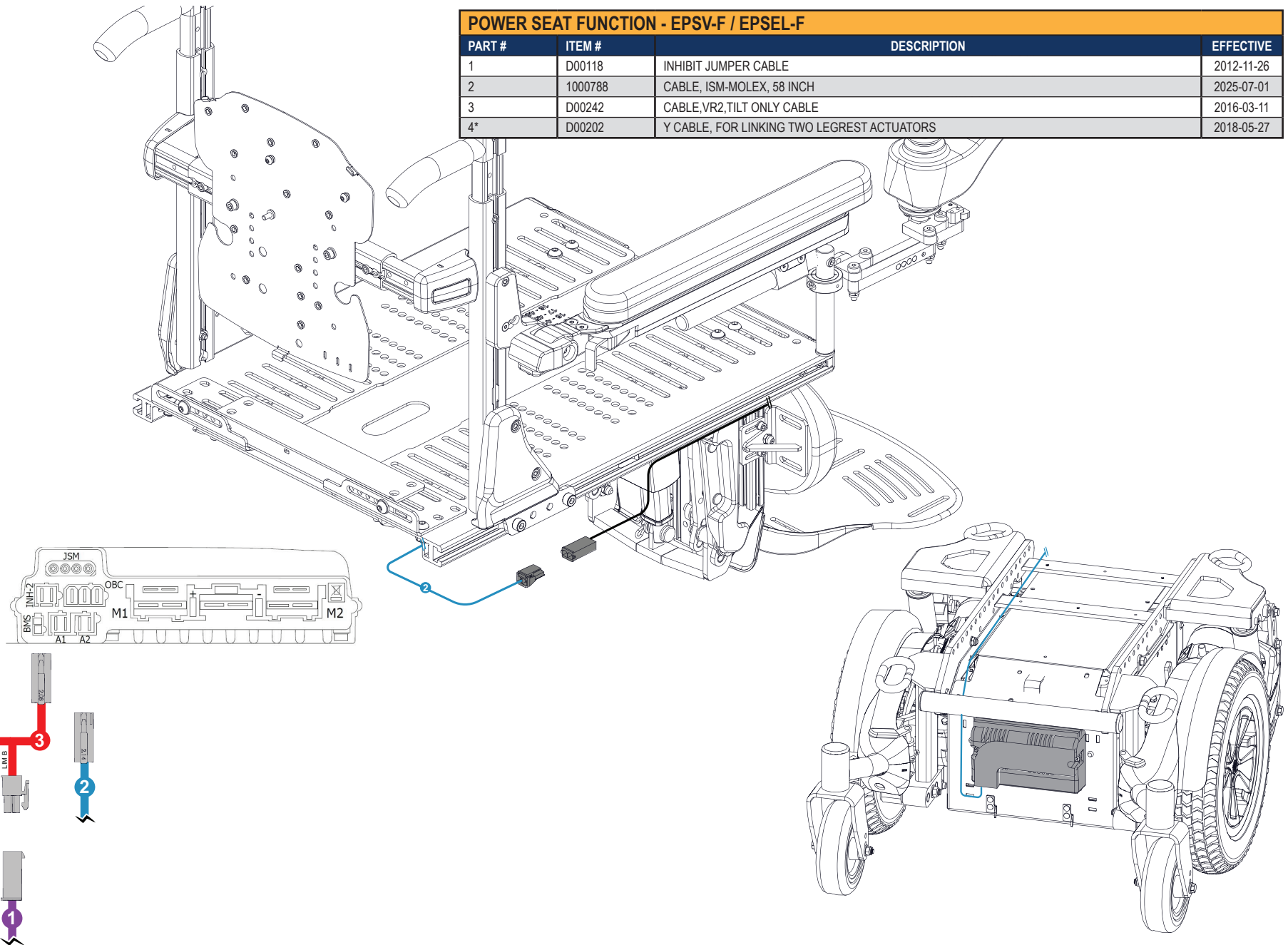


POWER SEAT FUNCTION - EPSV-E / EPSEL-E

PART #	ITEM #	DESCRIPTION	EFFECTIVE
1A	D00224	CABLE,VR2,TILT ONLY CABLE	2018-03-22
1B	D00310	CABLE TILT ONLY, EPSEL, THROUGH R-NET	2018-03-22

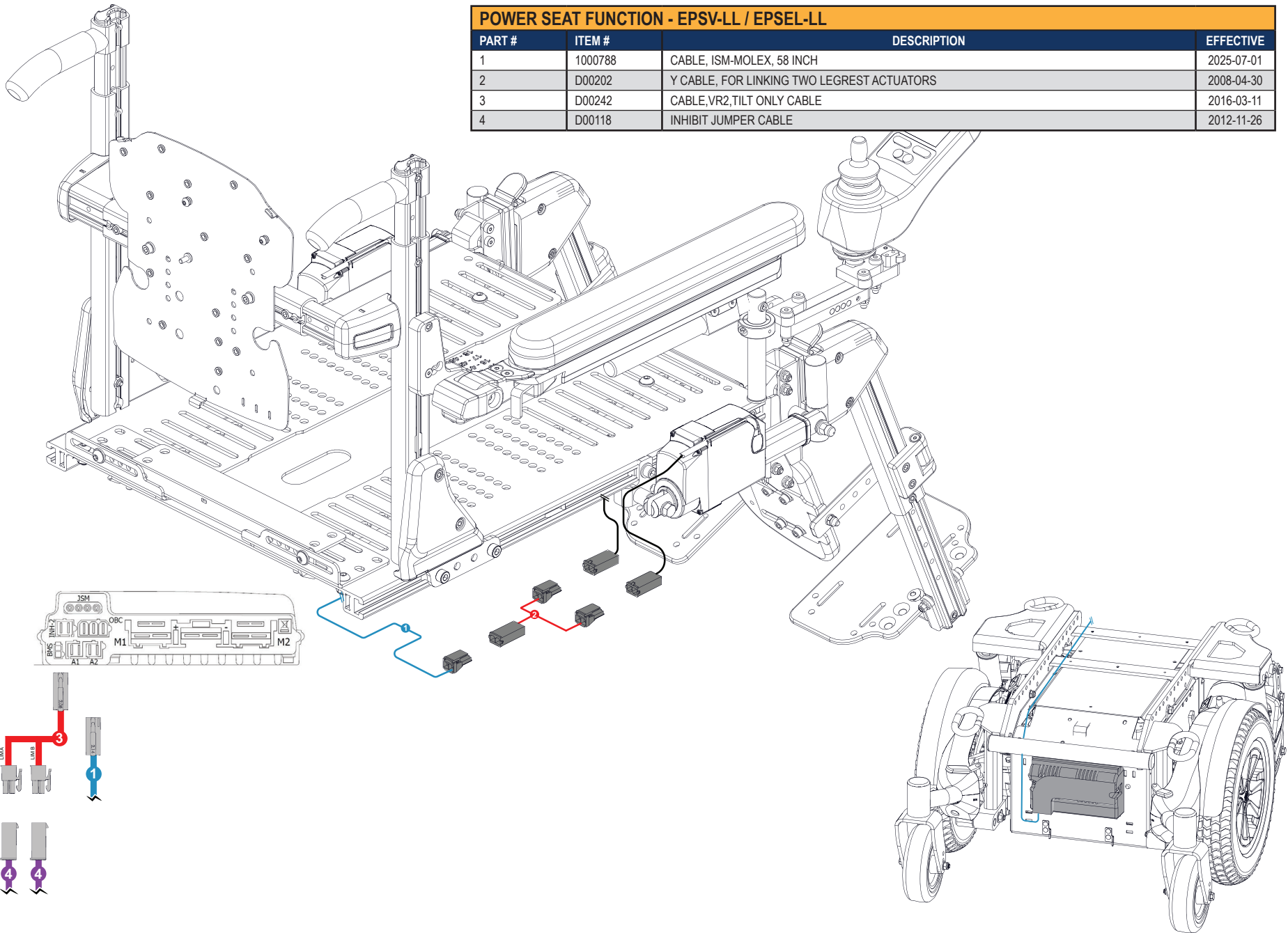


POWER SEAT FUNCTION - EPSV-F / EPSEL-F			
PART #	ITEM #	DESCRIPTION	EFFECTIVE
1	D00118	INHIBIT JUMPER CABLE	2012-11-26
2	1000788	CABLE, ISM-MOLEX, 58 INCH	2025-07-01
3	D00242	CABLE,VR2,TILT ONLY CABLE	2016-03-11
4*	D00202	Y CABLE, FOR LINKING TWO LEGREST ACTUATORS	2018-05-27

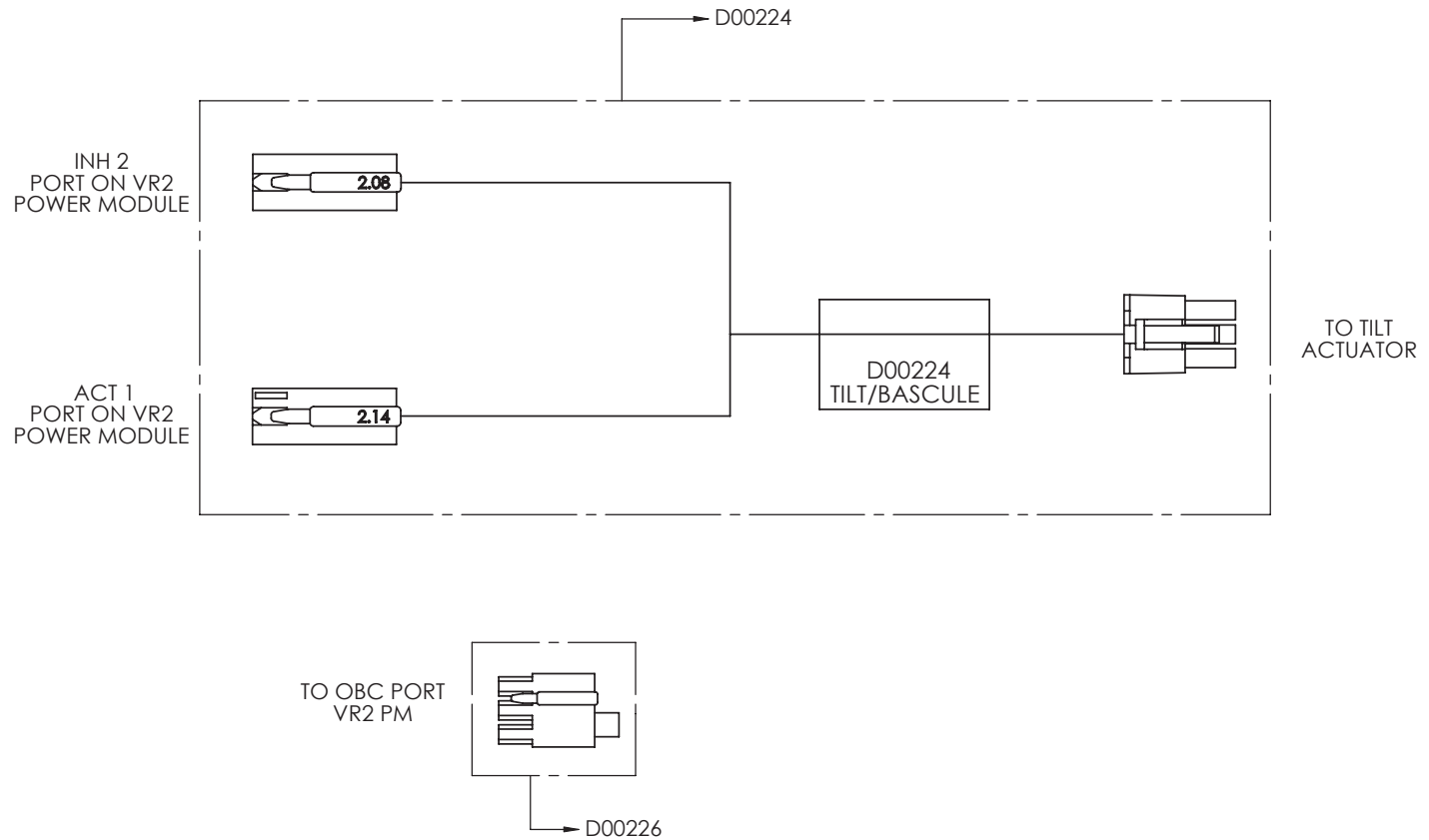


7.1.1.4

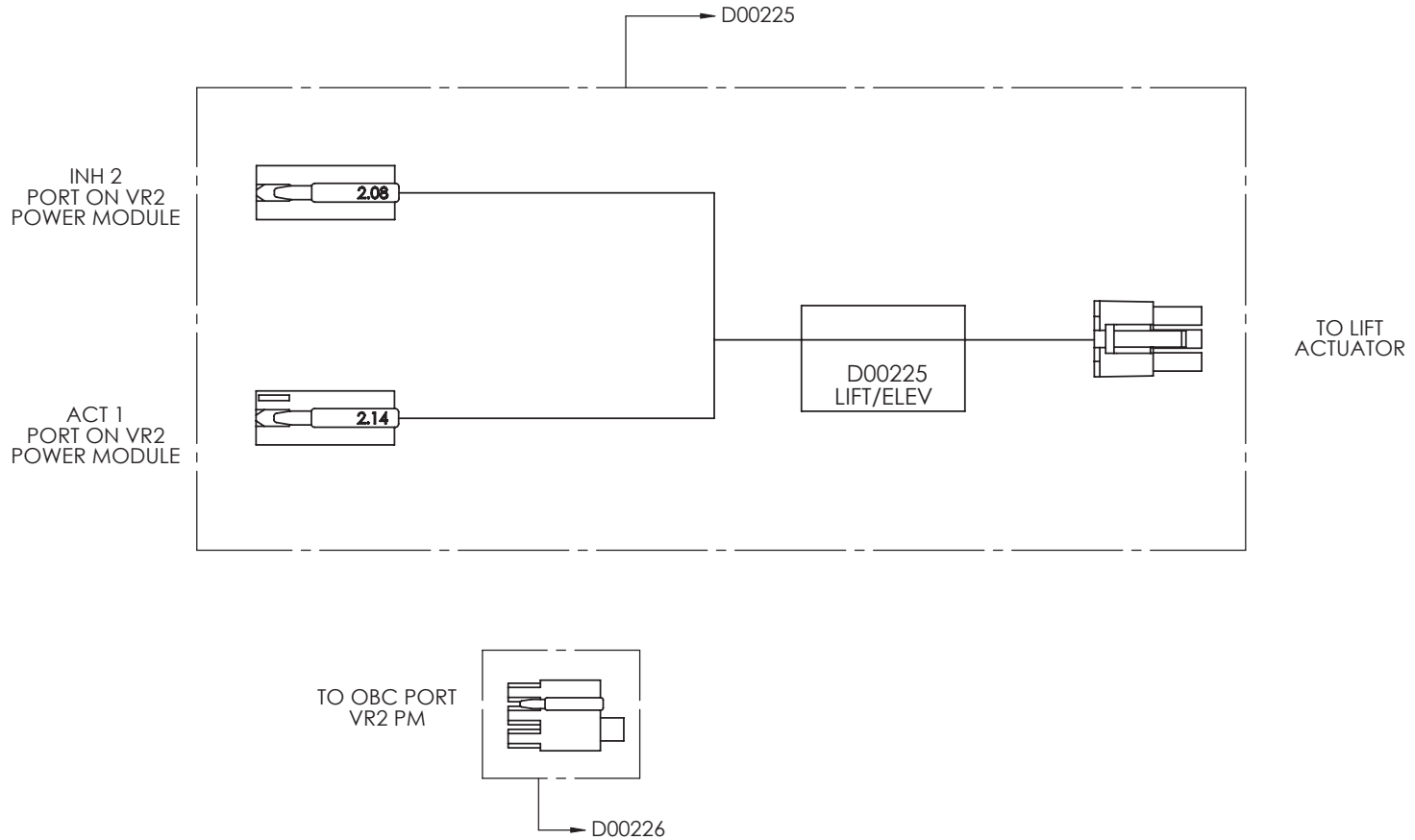
POWER SEAT FUNCTION - EPSV-LL / EPSEL-LL			
PART #	ITEM #	DESCRIPTION	EFFECTIVE
1	1000788	CABLE, ISM-MOLEX, 58 INCH	2025-07-01
2	D00202	Y CABLE, FOR LINKING TWO LEGREST ACTUATORS	2008-04-30
3	D00242	CABLE,VR2,TILT ONLY CABLE	2016-03-11
4	D00118	INHIBIT JUMPER CABLE	2012-11-26



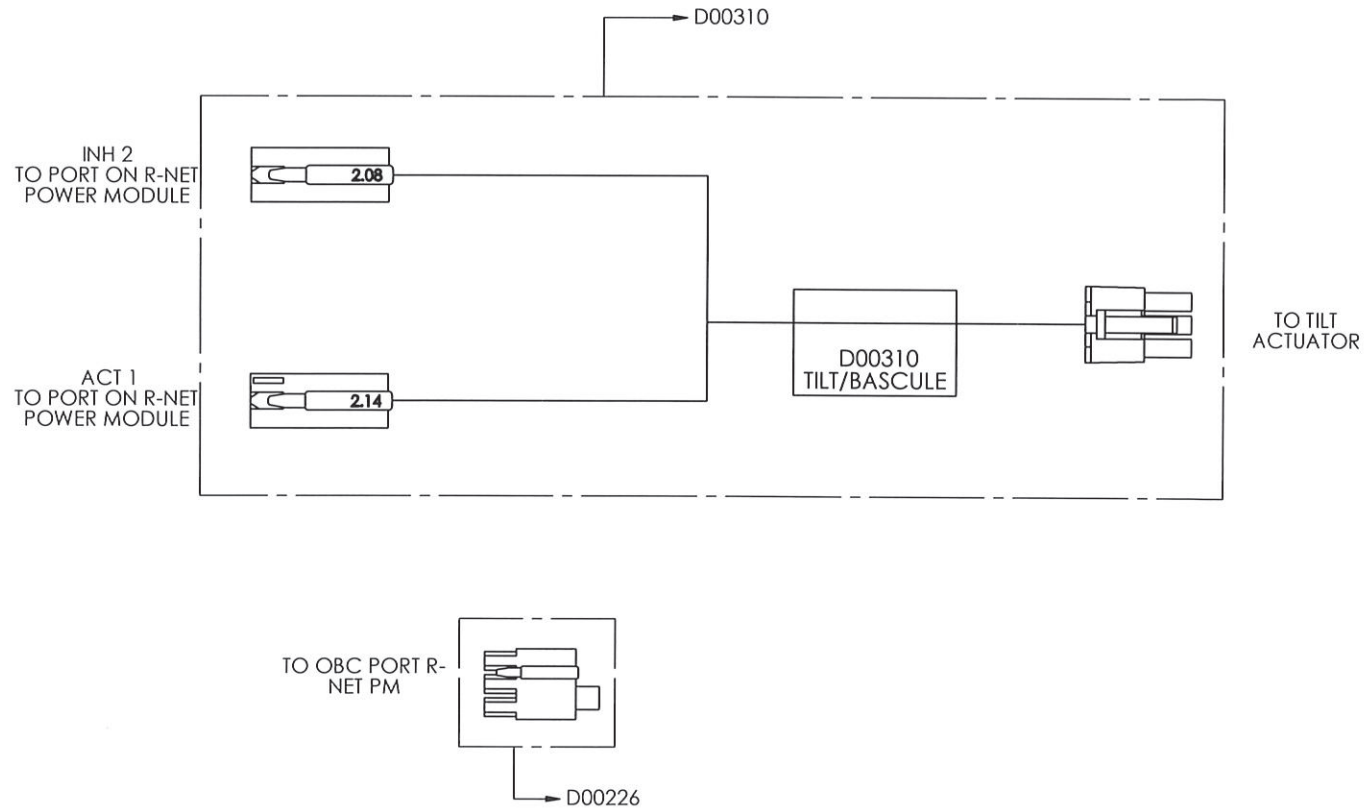
POWER TILT THROUGH VR2 CONTROLLER		
PART #	DESCRIPTION	EFFECTIVE
EFV1-0004	SINGLE POWER TILT THROUGH VR2 CONTROLLER	



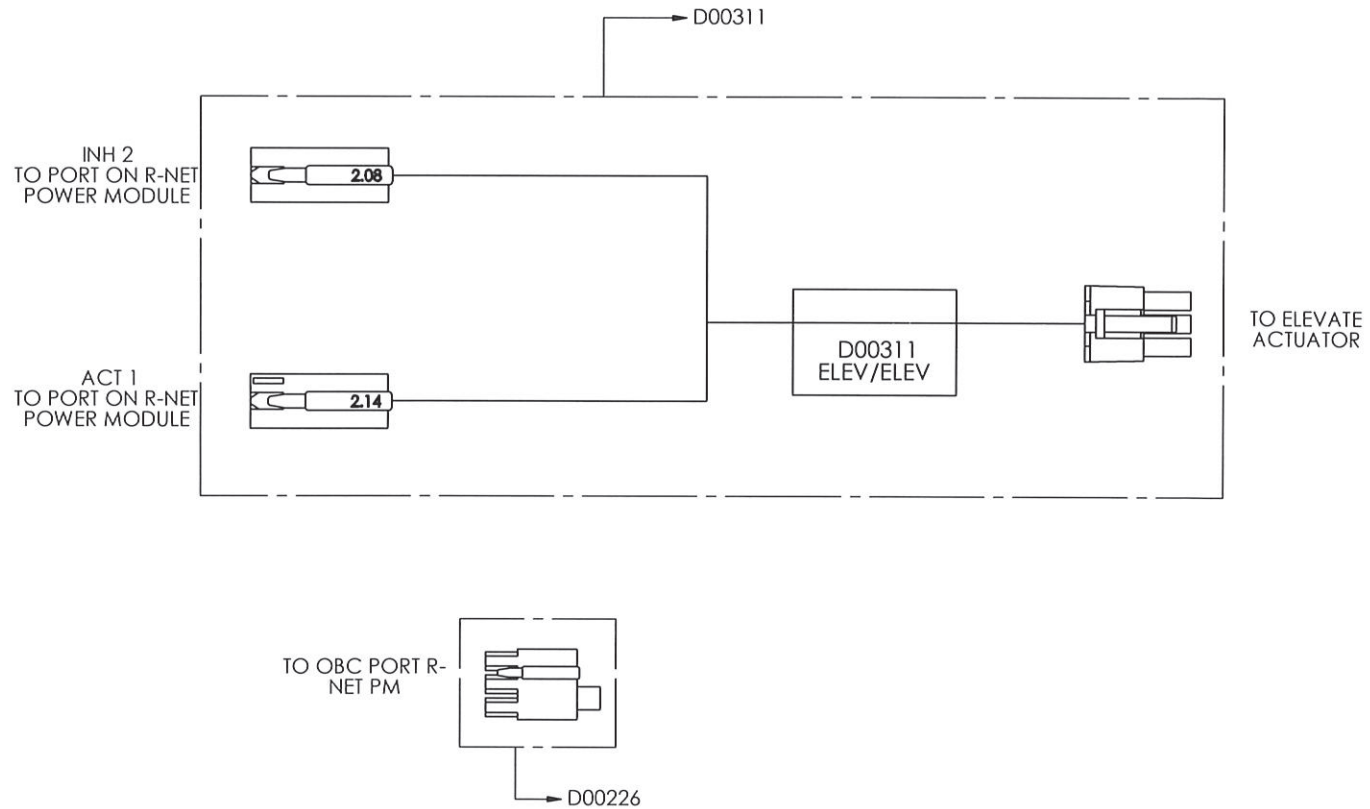
POWER ELEVATE THROUGH VR2 CONTROLLER		
PART #	DESCRIPTION	EFFECTIVE
EFV1-0003	SINGLE POWER ELEVATE THROUGH VR2 CONTROLLER	



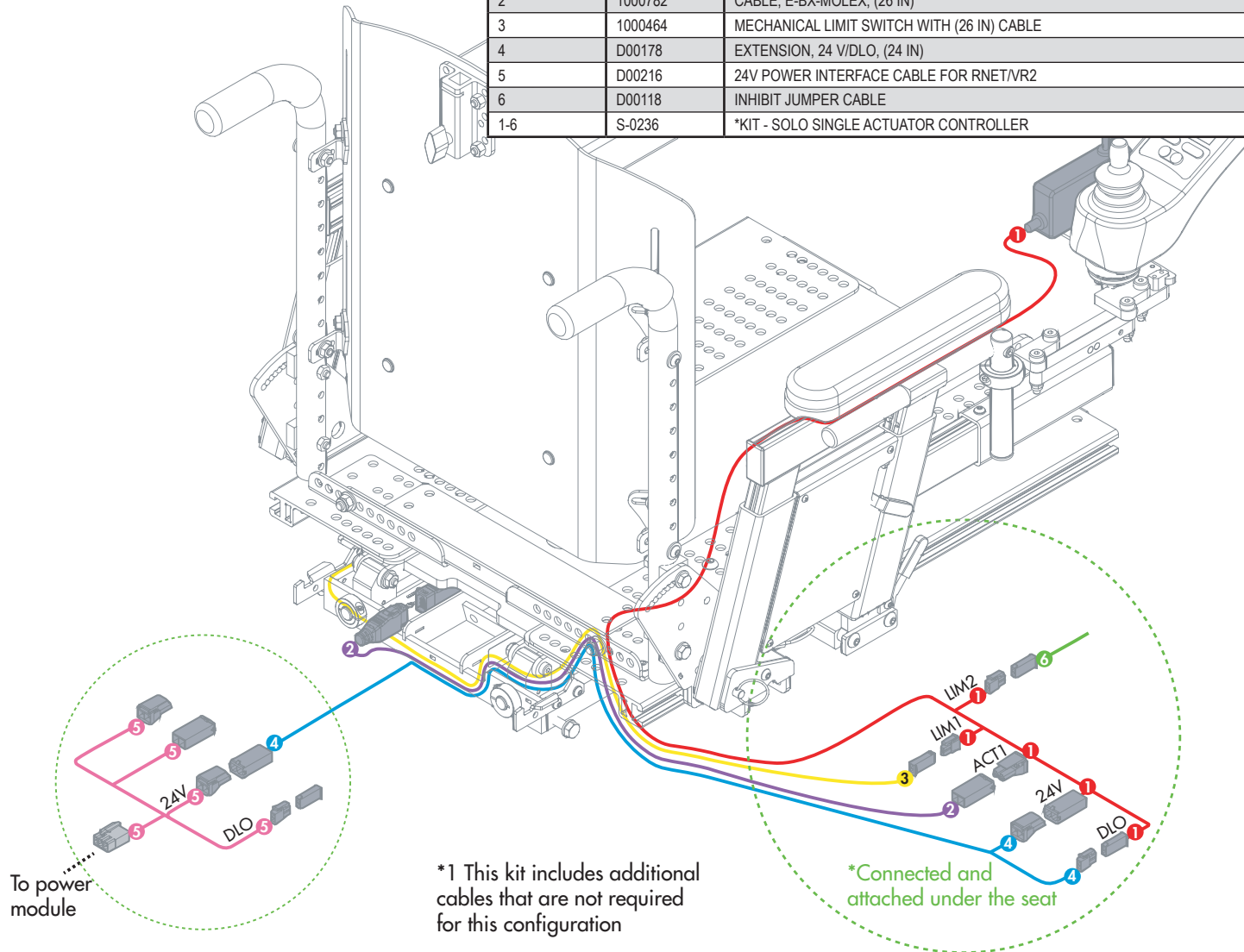
POWER TILT THROUGH RNET CONTROLLER		
PART #	DESCRIPTION	EFFECTIVE
EFR1-0005	SINGLE POWER TILT THROUGH RNET CONTROLLER	



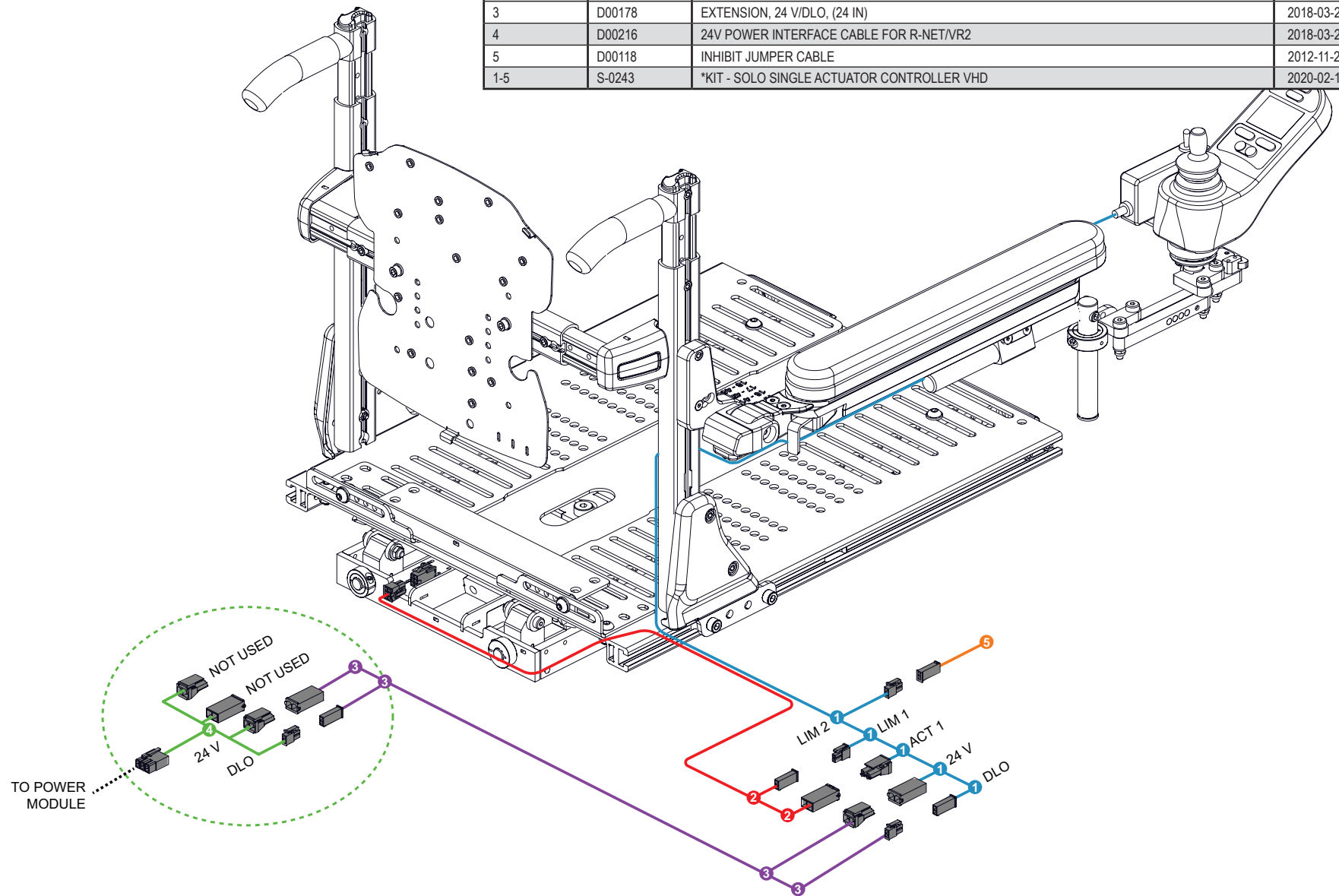
POWER ELEVATE THROUGH RNET CONTROLLER		
PART #	DESCRIPTION	EFFECTIVE
EFR1-0006	SINGLE POWER ELEVATE THROUGH RNET CONTROLLER	



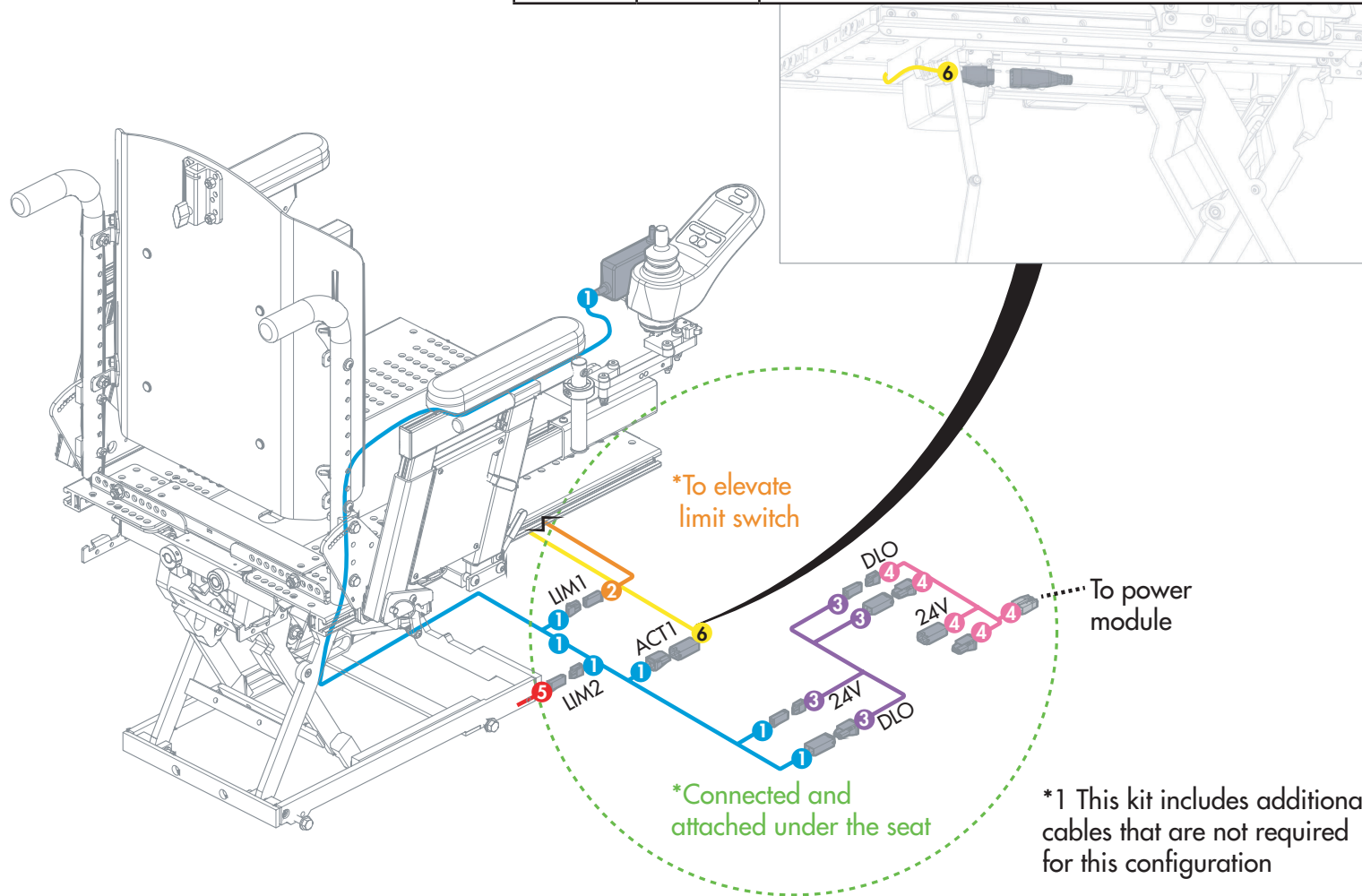
POWER SEAT FUNCTION - SOLO-A-T			
PART #	ITEM #	DESCRIPTION	EFFECTIVE
1	D00182	SOLO SINGLE ACTUATOR CONTROLLER	2008-04-30
2	1000782	CABLE, E-BX-MOLEX, (26 IN)	2019-01-24
3	1000464	MECHANICAL LIMIT SWITCH WITH (26 IN) CABLE	2018-05-03
4	D00178	EXTENSION, 24 V/DLO, (24 IN)	2018-03-22
5	D00216	24V POWER INTERFACE CABLE FOR RNET/VR2	2018-03-22
6	D00118	INHIBIT JUMPER CABLE	2012-11-26
1-6	S-0236	*KIT - SOLO SINGLE ACTUATOR CONTROLLER	2020-02-10

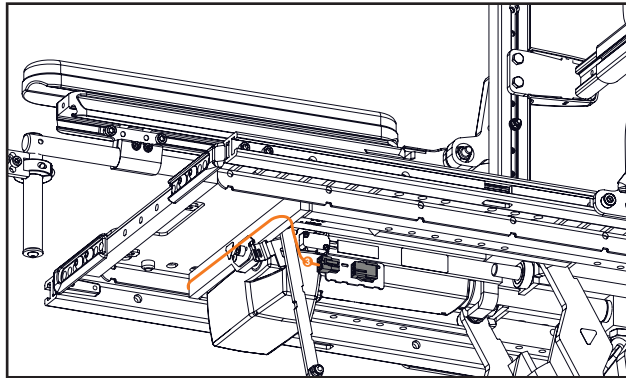


POWER SEAT FUNCTION - SOLO-T / SOLO-A-T-VHD			
PART #	ITEM #	DESCRIPTION	EFFECTIVE
1	D00182	SOLO SINGLE ACTUATOR CONTROLLER	2008-04-30
2	D00197	CABLE, TILT W/R00032, (26 IN)	2018-03-22
3	D00178	EXTENSION, 24 V/DLO, (24 IN)	2018-03-22
4	D00216	24V POWER INTERFACE CABLE FOR R-NET/VR2	2018-03-22
5	D00118	INHIBIT JUMPER CABLE	2012-11-26
1-5	S-0243	*KIT - SOLO SINGLE ACTUATOR CONTROLLER VHD	2020-02-10

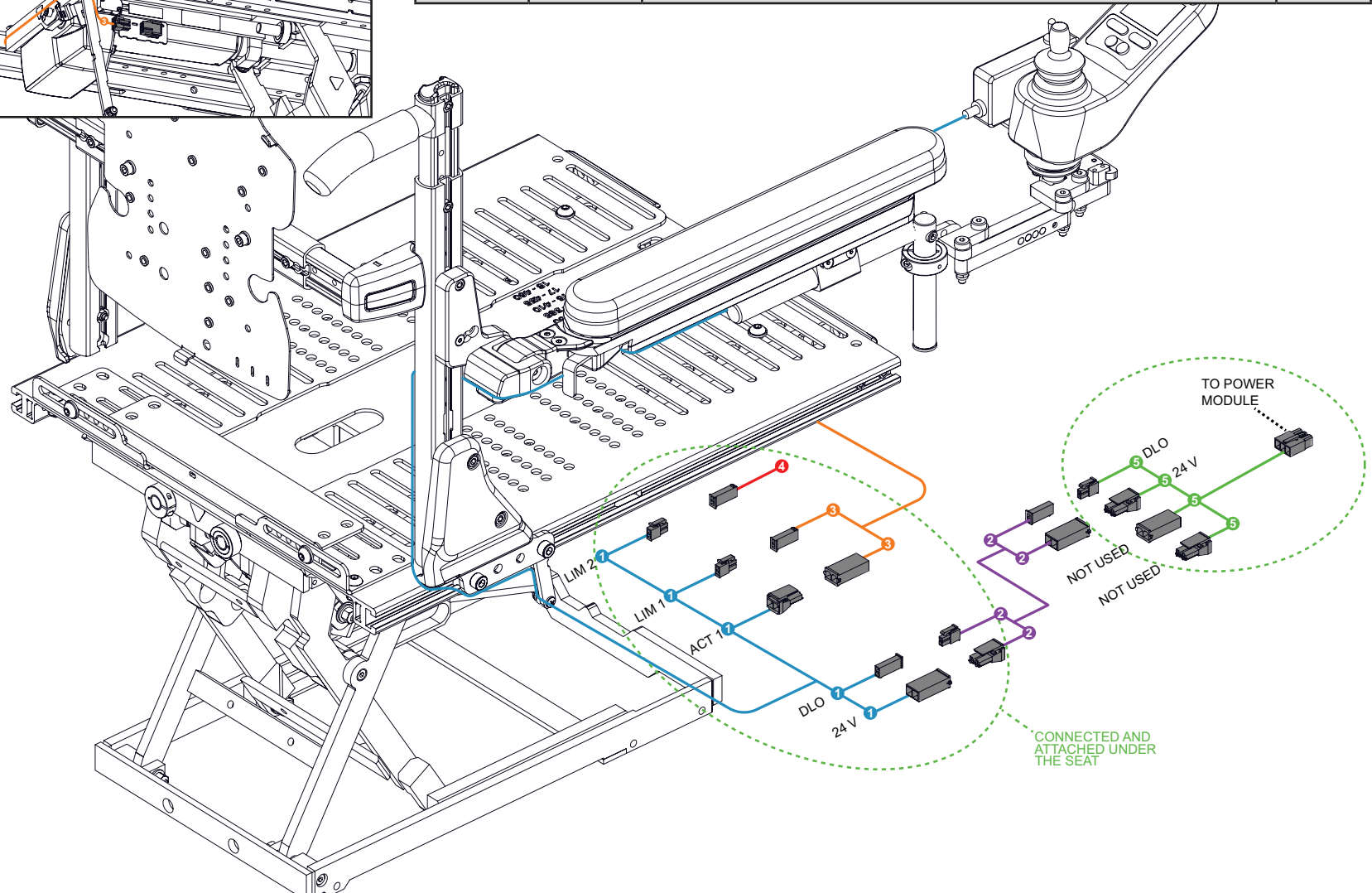


POWER SEAT FUNCTION - SOLO-A-E			
PART #	ITEM #	DESCRIPTION	EFFECTIVE
1	D00182	SOLO SINGLE ACTUATOR CONTROLLER	2008-04-30
2	1000673	MECHANICAL LIMIT SWITCH WITH (42 IN) CABLE	2018-11-09
3	D00178	EXTENSION, 24 V/DLO, (24 IN)	2018-03-22
4	D00216	24V POWER INTERFACE CABLE FOR R-NET/VR2	2018-03-22
5	D00118	INHIBIT JUMPER CABLE	2012-11-26
6	1000790	CABLE, E-BX-MOLEX, (37 IN)	2019-01-30
1-6	S-0236	*KIT - SOLO SINGLE ACTUATOR CONTROLLER	2020-02-10



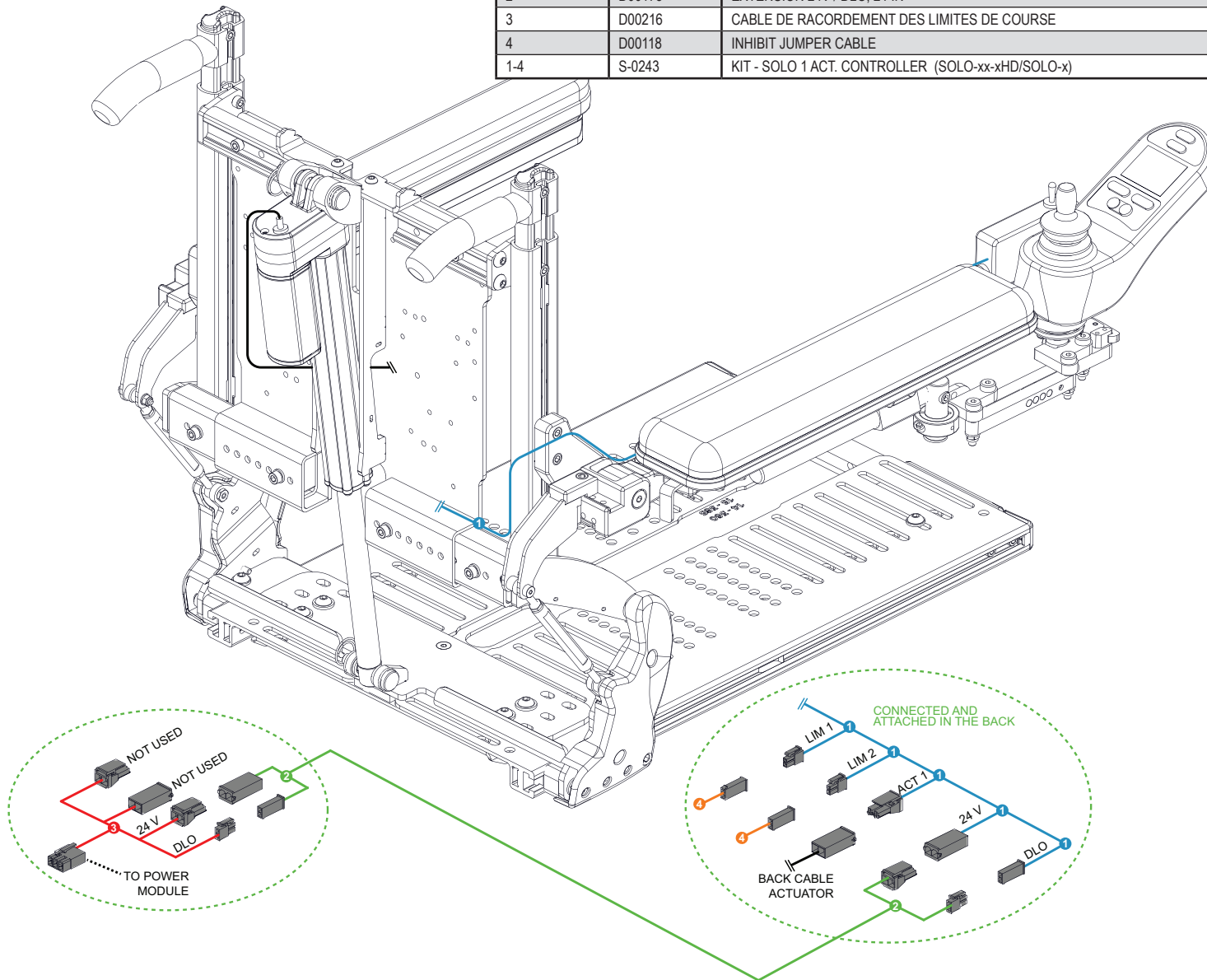


POWER SEAT FUNCTION - SOLO-E / SOLO-A-E-HD			
PART #	ITEM #	DESCRIPTION	EFFECTIVE
1	D00182	SOLO SINGLE ACTUATOR CONTROLLER	2008-04-30
2	D00178	EXTENSION, 24 V/DLO, (24 IN)	2018-03-22
3	D00198	CABLE, ELEVATE W/R00032 (37 IN)	2008-10-24
4	D00118	INHIBIT JUMPER CABLE	2012-11-26
5	D00216	24V POWER INTERFACE CABLE FOR R-NET/VR2	2018-03-22
1-5	S-0243	*KIT - SOLO SINGLE ACT CONTROLLER VHD	2020-02-10

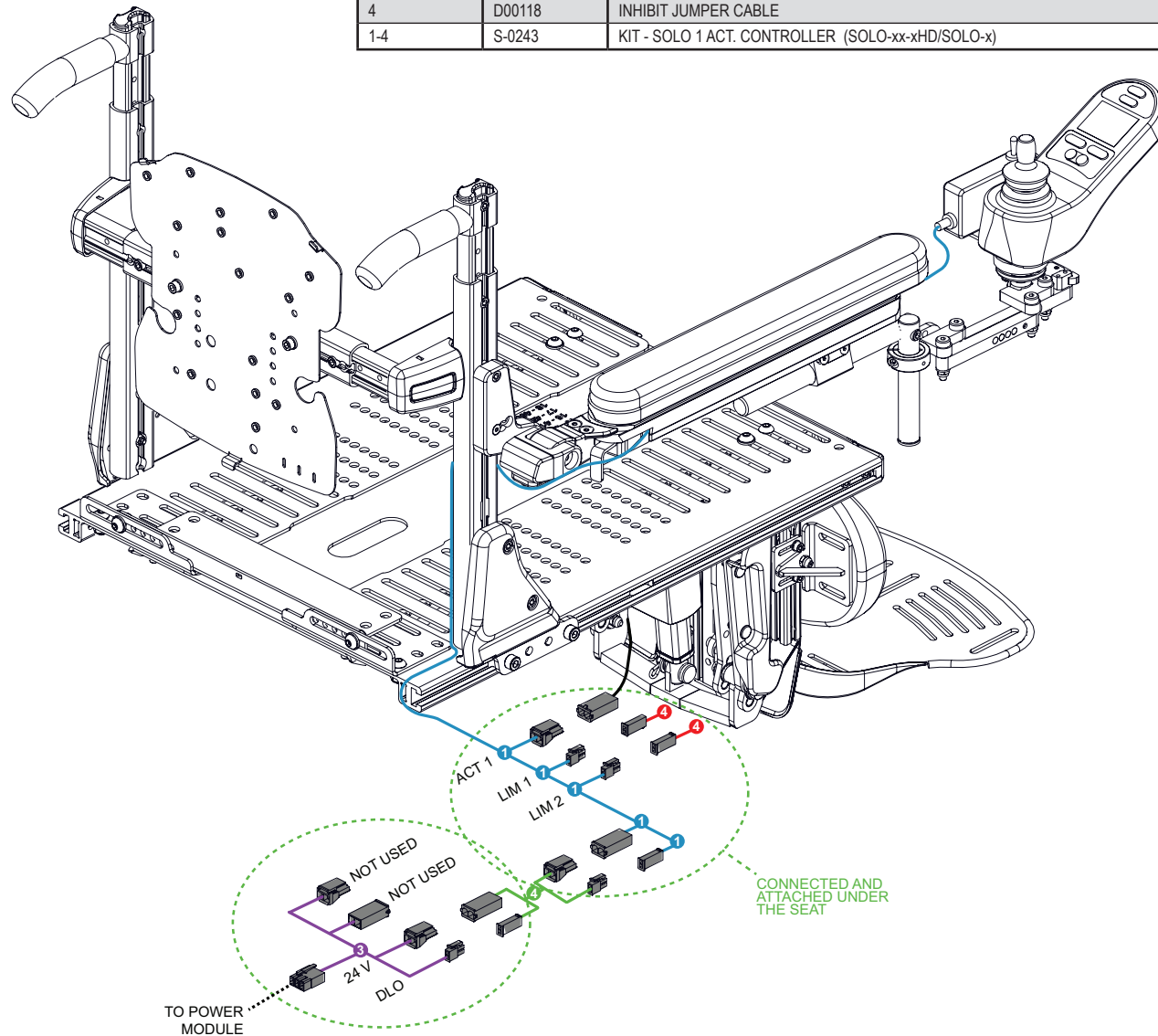


POWER SEAT FUNCTION - SOLO-R

PART #	ITEM #	DESCRIPTION	EFFECTIVE
1	D00182	SOLO SINGLE ACTUATOR CONTROLLER	2008-04-30
2	D00178	EXTENSION 24V / DLO, 24 IN	2018-03-22
3	D00216	CABLE DE RACORDEMENT DES LIMITES DE COURSE	2019-04-04
4	D00118	INHIBIT JUMPER CABLE	2018-03-22
1-4	S-0243	KIT - SOLO 1 ACT. CONTROLLER (SOLO-xx-xHD/SOLO-x)	2020-02-10

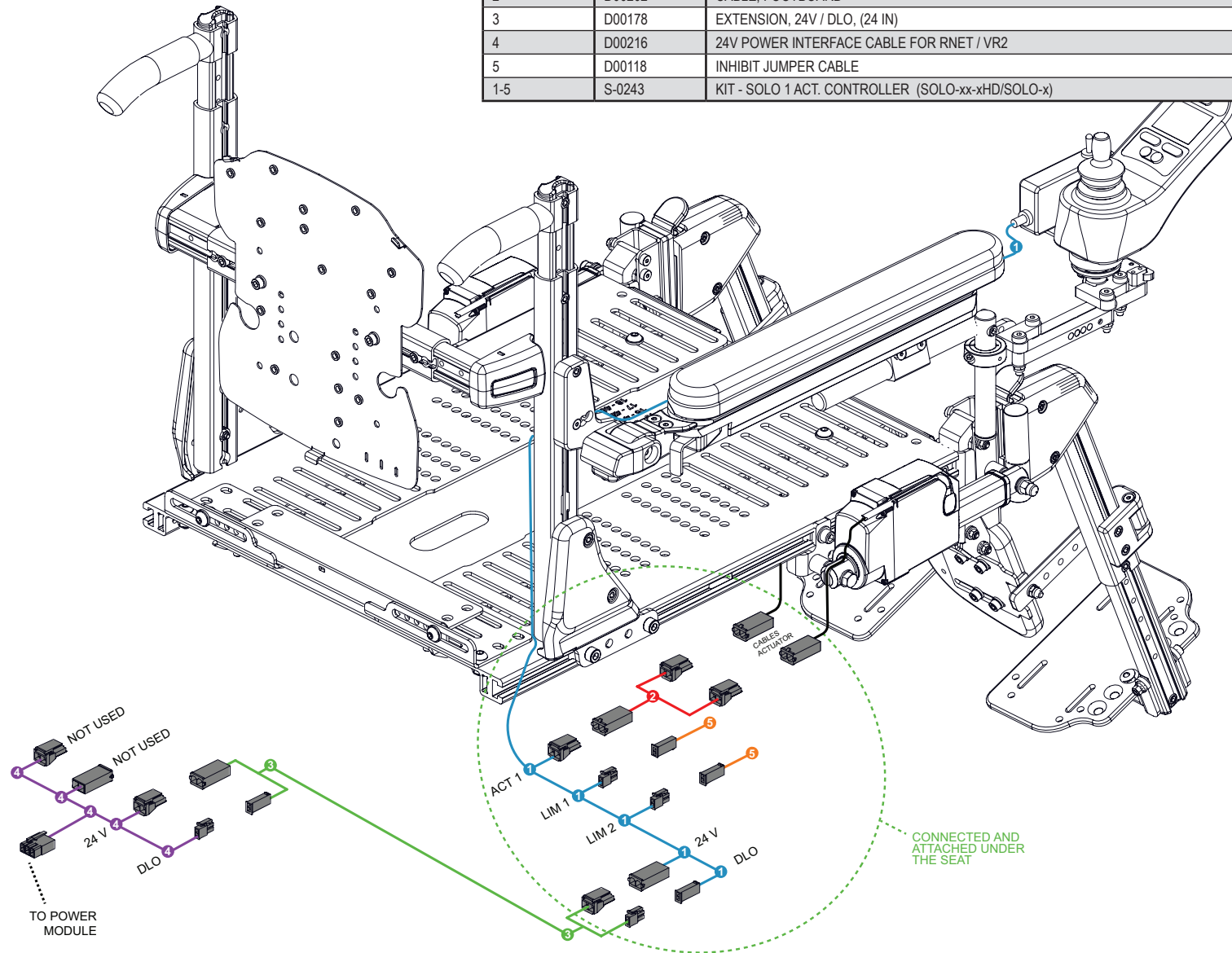


POWER SEAT FUNCTION - SOLO-F / SOLO-A-F			
PART #	ITEM #	DESCRIPTION	EFFECTIVE
1	D00182	SOLO SINGLE ACTUATOR CONTROLLER	2008-04-30
2	D00178	EXTENSION, 24V / DLO, (24 IN)	2018-03-22
3	D00216	24V POWER INTERFACE CABLE FOR R-NET/VR2	2018-03-22
4	D00118	INHIBIT JUMPER CABLE	2012-11-26
1-4	S-0243	KIT - SOLO 1 ACT. CONTROLLER (SOLO-xx-xHD/SOLO-x)	2020-02-10

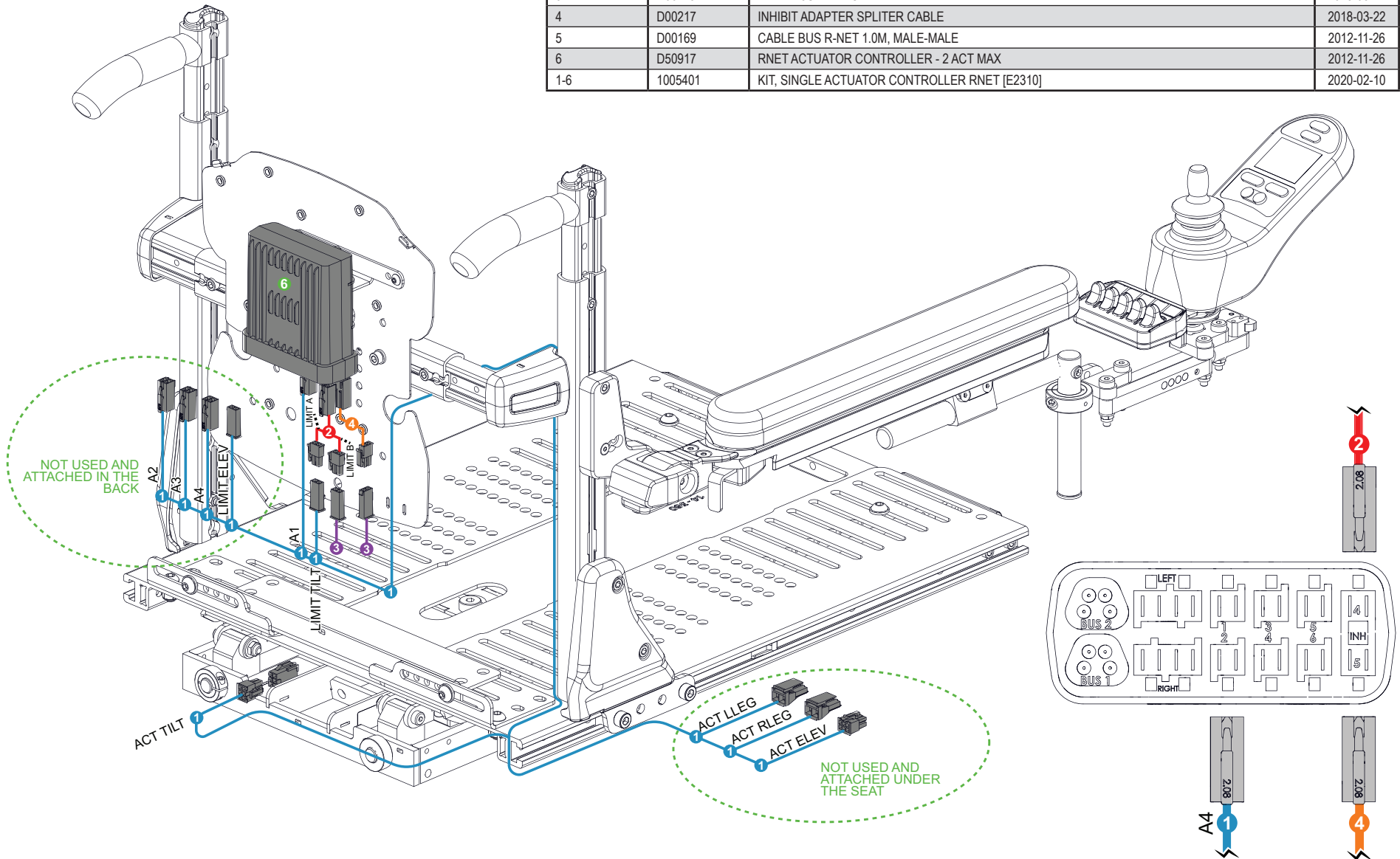


POWER SEAT FUNCTION - SOLO-LL / SOLO-A-LL

PART #	ITEM #	DESCRIPTION	EFFECTIVE
1	D00182	SOLO SINGLE ACTUATOR CONTROLLER	2008-04-30
2	D00202	CABLE, FOOTBOARD	2008-04-30
3	D00178	EXTENSION, 24V / DLO, (24 IN)	2018-03-22
4	D00216	24V POWER INTERFACE CABLE FOR RNET / VR2	2018-03-22
5	D00118	INHIBIT JUMPER CABLE	2012-11-26
1-5	S-0243	KIT - SOLO 1 ACT. CONTROLLER (SOLO-xx-xHD/SOLO-x)	2020-02-10

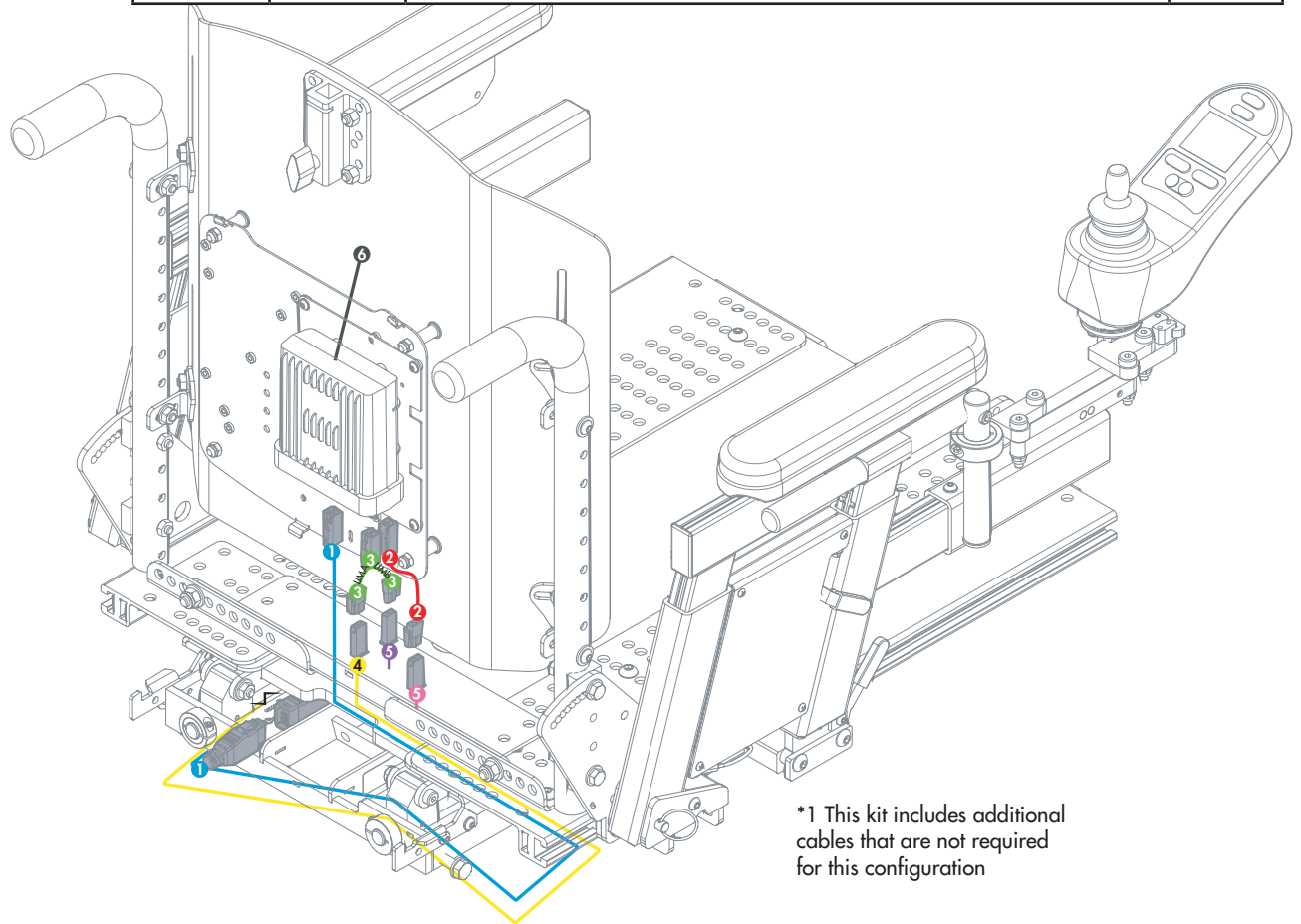
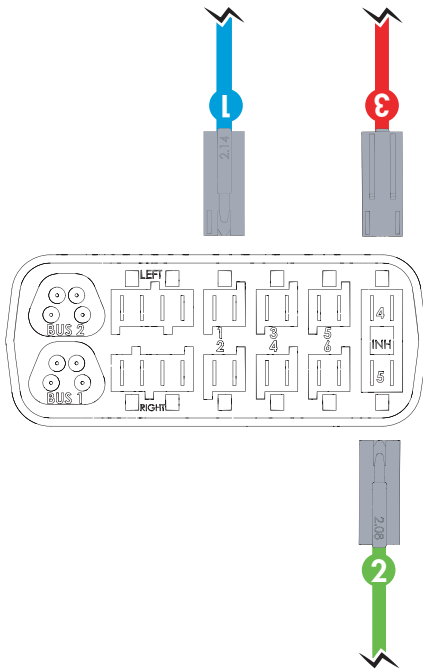


POWER SEAT FUNCTION - SAC-AMYRNET-T			
PART #	ITEM #	DESCRIPTION	EFFECTIVE
1	D00319	EXPANDABLE CONTROL TILT ELEVATE LEGS CABLE	2008-04-30
2	D00242	POWER RECLINE CABLE FOR ISM	2008-04-30
3	D00118	INHIBIT JUMPER CABLE	2018-03-22
4	D00217	INHIBIT ADAPTER SPLITTER CABLE	2018-03-22
5	D00169	CABLE BUS R-NET 1.0M, MALE-MALE	2012-11-26
6	D50917	RNET ACTUATOR CONTROLLER - 2 ACT MAX	2012-11-26
1-6	1005401	KIT, SINGLE ACTUATOR CONTROLLER RNET [E2310]	2020-02-10



POWER SEAT FUNCTION - SAC-AMYRNET-A-T / DACD-AMYRNET-T

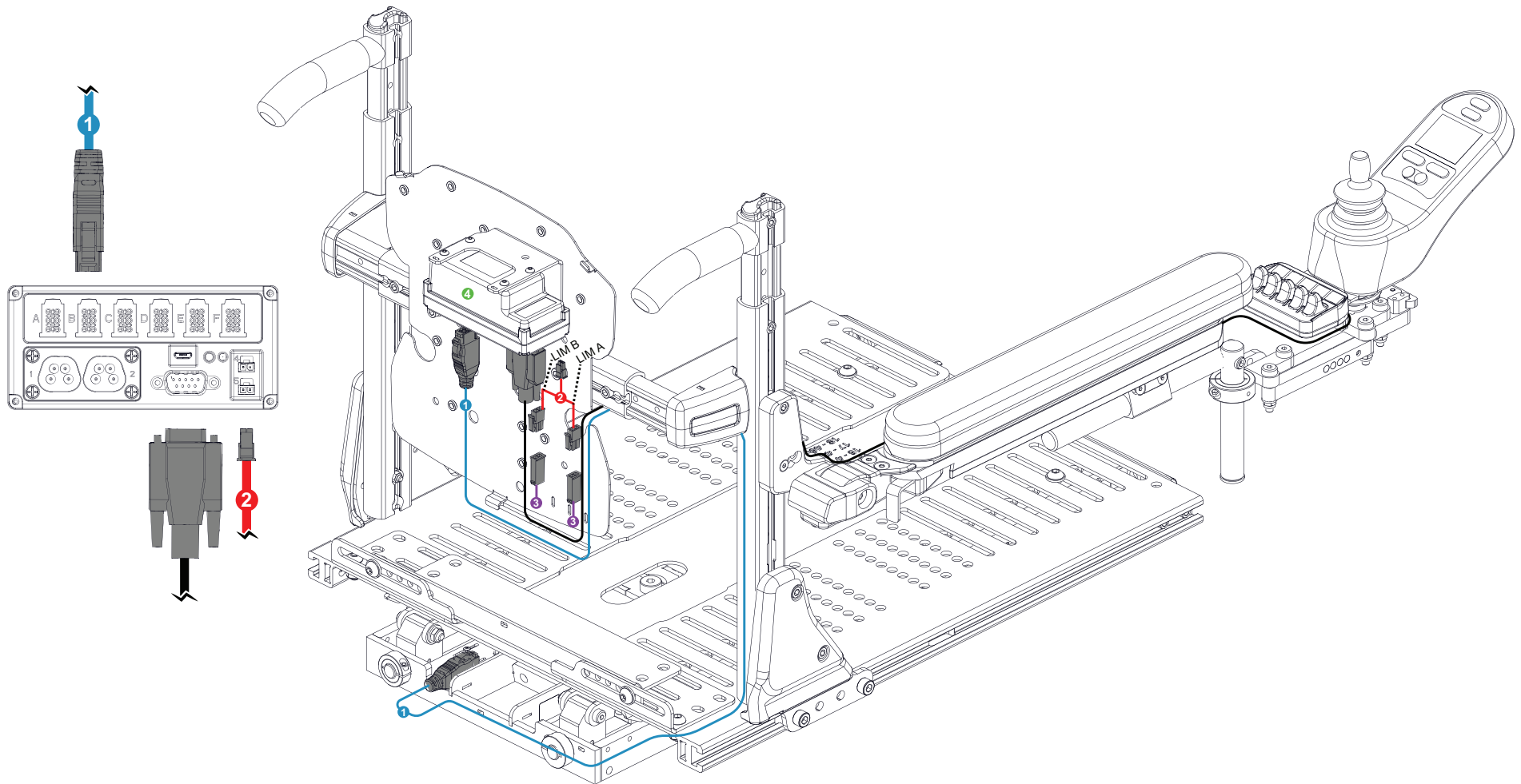
PART #	ITEM #	DESCRIPTION	EFFECTIVE
1	1000668	CABLE, E-BX-ISM, TILT, FEMALE-FEMALE, (48 IN)	2018-11-09
2	D00217	INHIBIT ADAPTER CABLE	2008-05-28
3	D00242	INHIBIT ADAPTER SPLITTER CABLE	2016-03-11
4	1000673	MECHANICAL LIMIT SWITCH WITH (42 IN) CABLE	2018-11-09
5	D00118	INHIBIT JUMPER CABLE	2012-11-26
6	D50917	R-NET SINGLE ACTUATOR CONTROLLER - 1 ACT	2008-05-28
1-6	S-0238	*KIT - SINGLE ACTUATOR CONTROLLER R-NET	2020-02-10



*1 This kit includes additional cables that are not required for this configuration

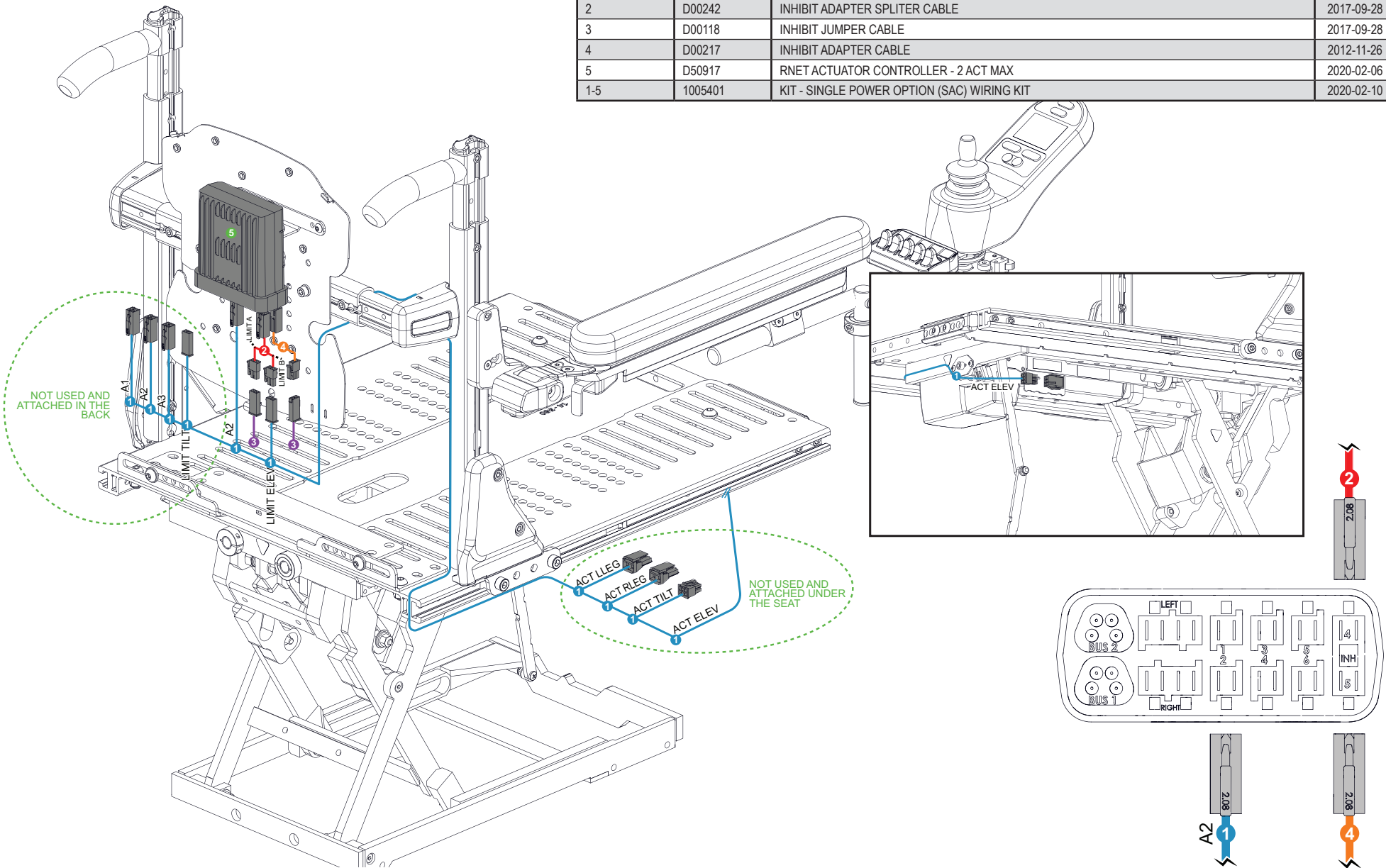
POWER SEAT FUNCTION - SAC-A-T-EBX / DACD-A-T-EBX

PART #	ITEM #	DESCRIPTION	EFFECTIVE
1	1000454	IQ ACTUATOR CABLE, E-BX, 1219MM (48 IN)	2019-04-11
2	1000040	CABLE ADAPTER INH E-BX	2017-09-28
3	D00118	INHIBIT JUMPER CABLE	2012-11-26
4	1000004	E-BX MULTIPLE ACTUATOR CONTROLLER R-NET	2020-02-06
1-4	S-0241	*KIT - SINGLE ACTUATOR CONTROLLER E-BX	2020-02-10



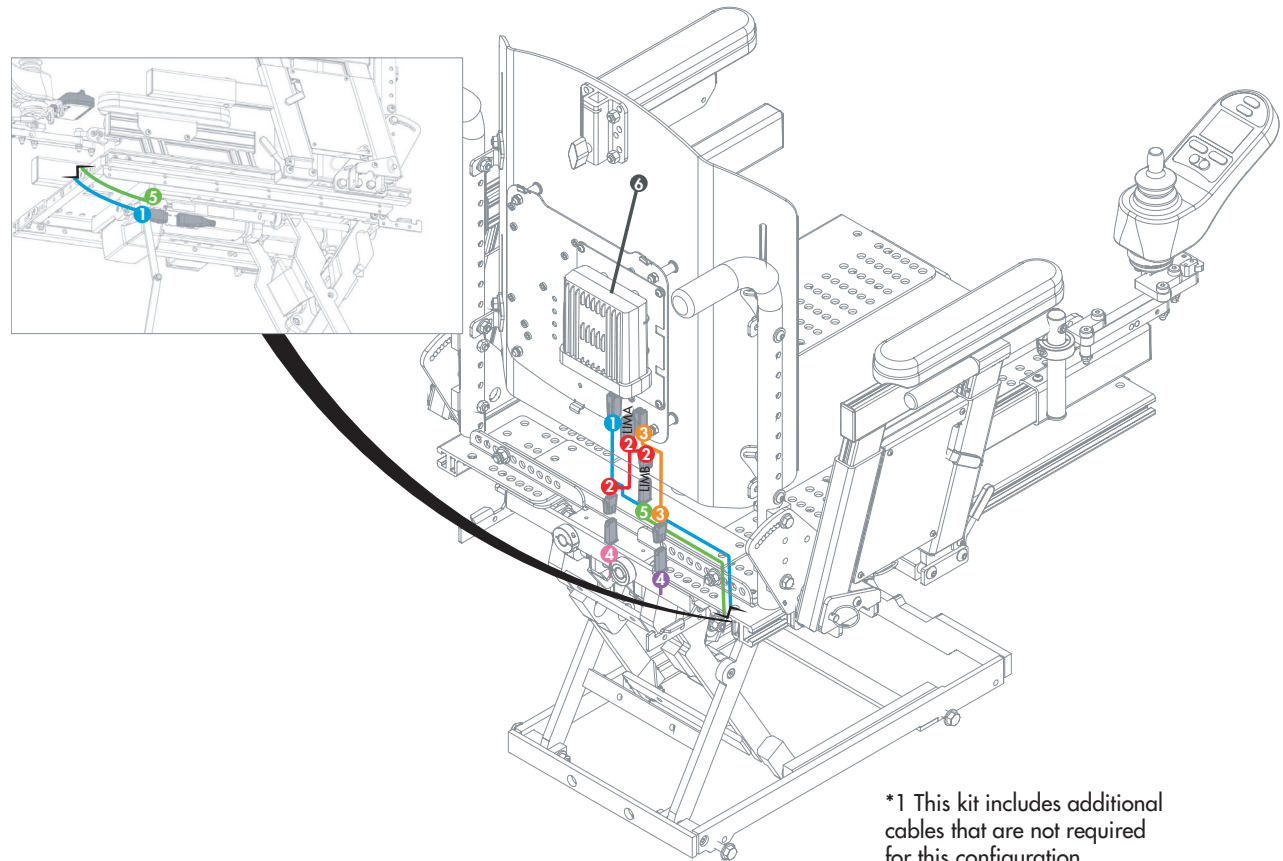
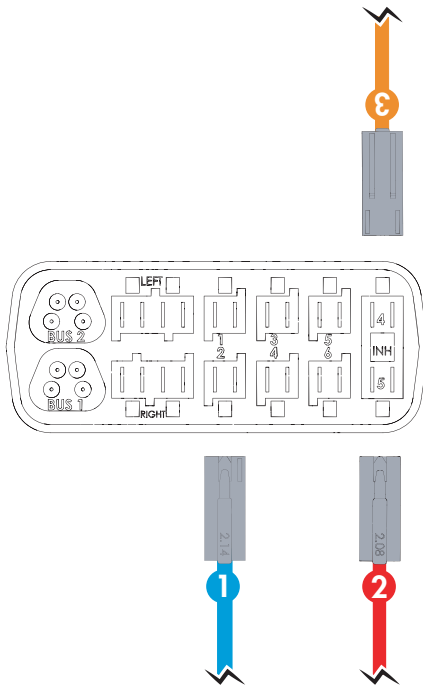
POWER SEAT FUNCTION - SAC-AMYRNET-E

PART #	ITEM #	DESCRIPTION	EFFECTIVE
1	D00319	EXPANDABLE CONTROLE TILT ELEVATE LEGS CABLE	2019-04-11
2	D00242	INHIBIT ADAPTER SPLITER CABLE	2017-09-28
3	D00118	INHIBIT JUMPER CABLE	2017-09-28
4	D00217	INHIBIT ADAPTER CABLE	2012-11-26
5	D50917	RNET ACTUATOR CONTROLLER - 2 ACT MAX	2020-02-06
1-5	1005401	KIT - SINGLE POWER OPTION (SAC) WIRING KIT	2020-02-10



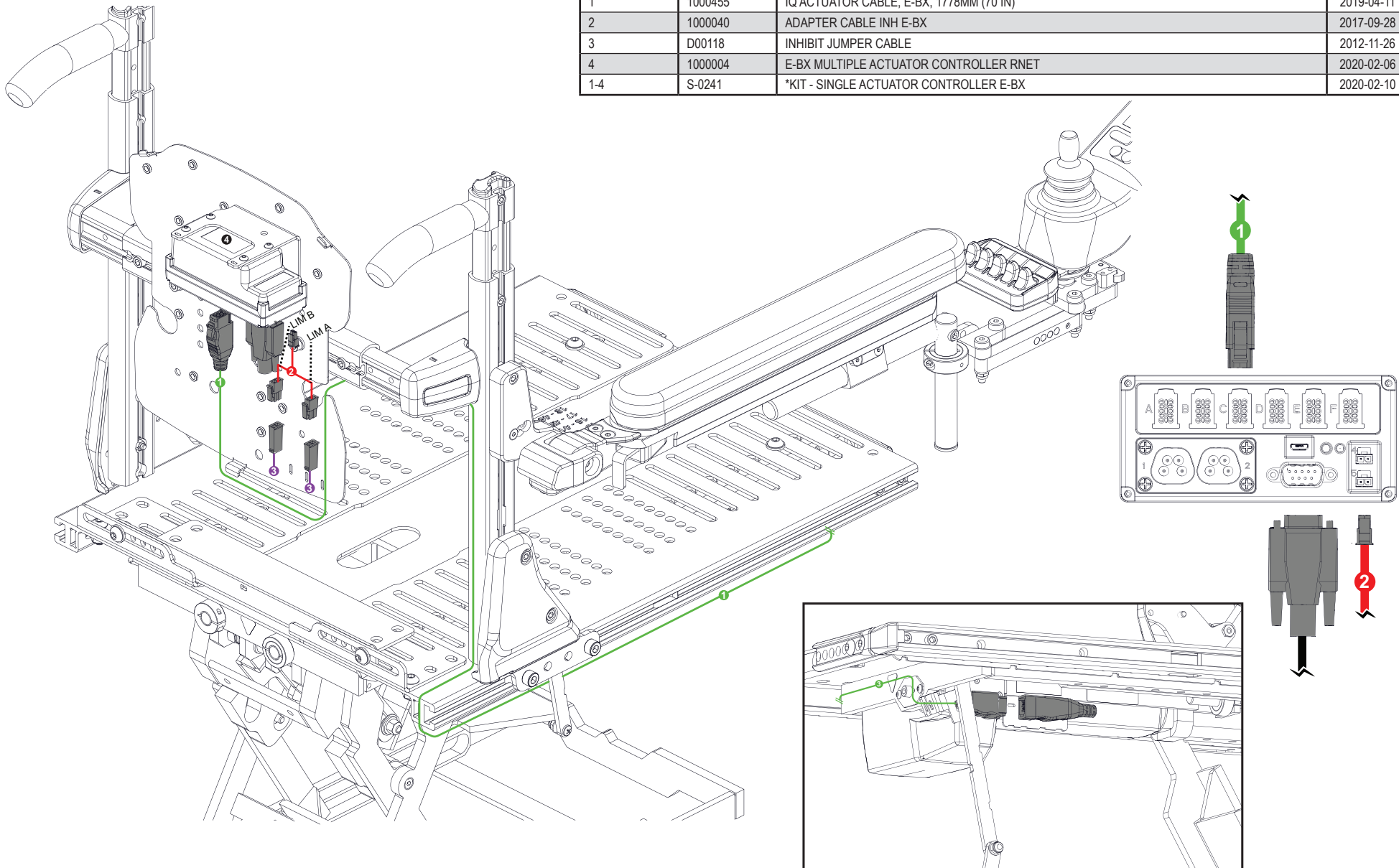
POWER SEAT FUNCTION - SAC-AMYRNET-A-E / DACD-AMYRNET-A-E

PART #	ITEM #	DESCRIPTION	EFFECTIVE
1	1000669	CABLE, E-BX-ISM, ELEVATE, FEMALE-FEMALE (70 IN)	2018-11-09
2	D00217	INHIBIT ADAPTER CABLE	2008-05-28
3	D00242	INHIBIT ADAPTER SPLITTER CABLE	2016-03-11
4	D00118	INHIBIT JUMPER CABLE	2012-11-26
5	1000670	MECHANICAL LIMIT SWITCH WITH (64 IN) CABLE	2018-11-09
6	D50917	R-NET SINGLE ACTUATOR CONTROLLER - 1 ACT	2008-05-28
1-6	S-0238	*KIT - SINGLE ACTUATOR CONTROLLER R-NET	2020-02-10



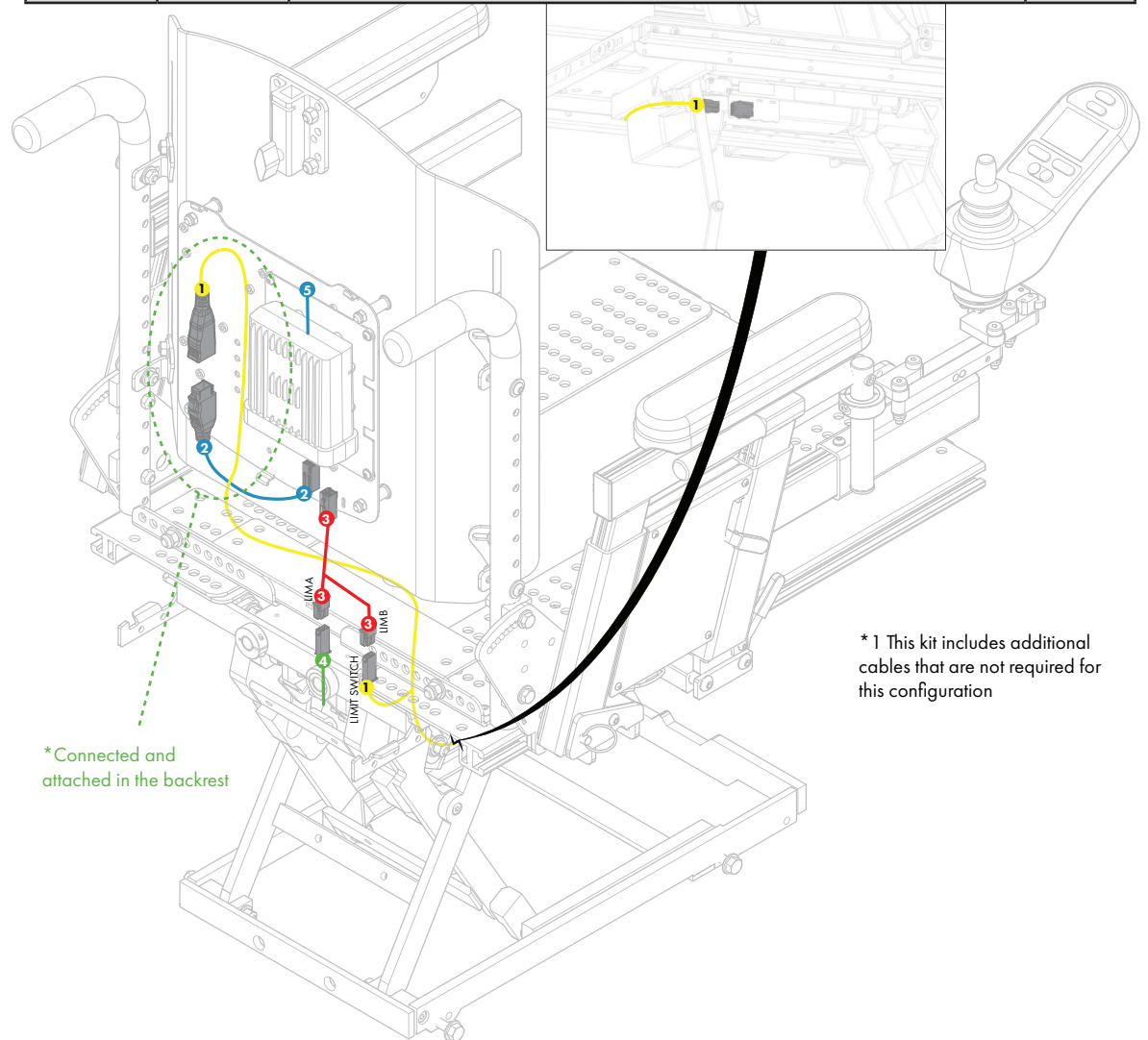
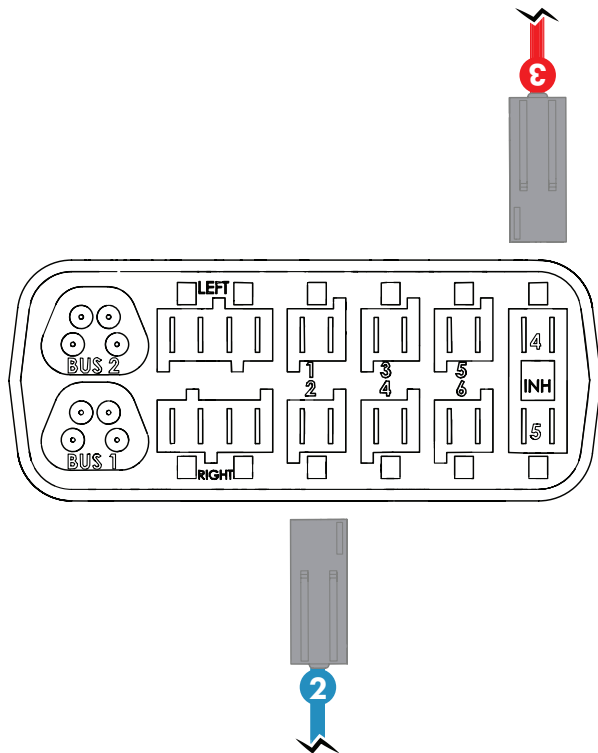
POWER SEAT FUNCTION - SAC-A-E-EBX / DACD-A-E-EBX

PART #	ITEM #	DESCRIPTION	EFFECTIVE
1	1000455	IQ ACTUATOR CABLE, E-BX, 1778MM (70 IN)	2019-04-11
2	1000040	ADAPTER CABLE INH E-BX	2017-09-28
3	D00118	INHIBIT JUMPER CABLE	2012-11-26
4	1000004	E-BX MULTIPLE ACTUATOR CONTROLLER RNET	2020-02-06
1-4	S-0241	*KIT - SINGLE ACTUATOR CONTROLLER E-BX	2020-02-10



POWER SEAT FUNCTION - SAC-AMYRNET-A-E-HD

PART #	ITEM #	DESCRIPTION	EFFECTIVE
1	1000835	CABLE, EBX-MOLEX FOR ELEVATE BARIATRIC, 1676MM (66 INCH)	2019-02-12
2	1000669	CABLE, E-BX-ISM, ELEVATE, FEMALE-FEMALE, 70 INCH	2018-11-09
3	D00242	INHIBIT ADAPTER SPLITTER CABLE	2016-03-11
4	D00118	INHIBIT JUMPER CABLE	2012-11-26
5	D50917	RNET SINGLE ACTUATOR CONTROLLER - 1 ACT	2008-05-28
2-5	S-0238	*KIT - SINGLE ACTUATOR CONTROLLER RNET	2020-02-10

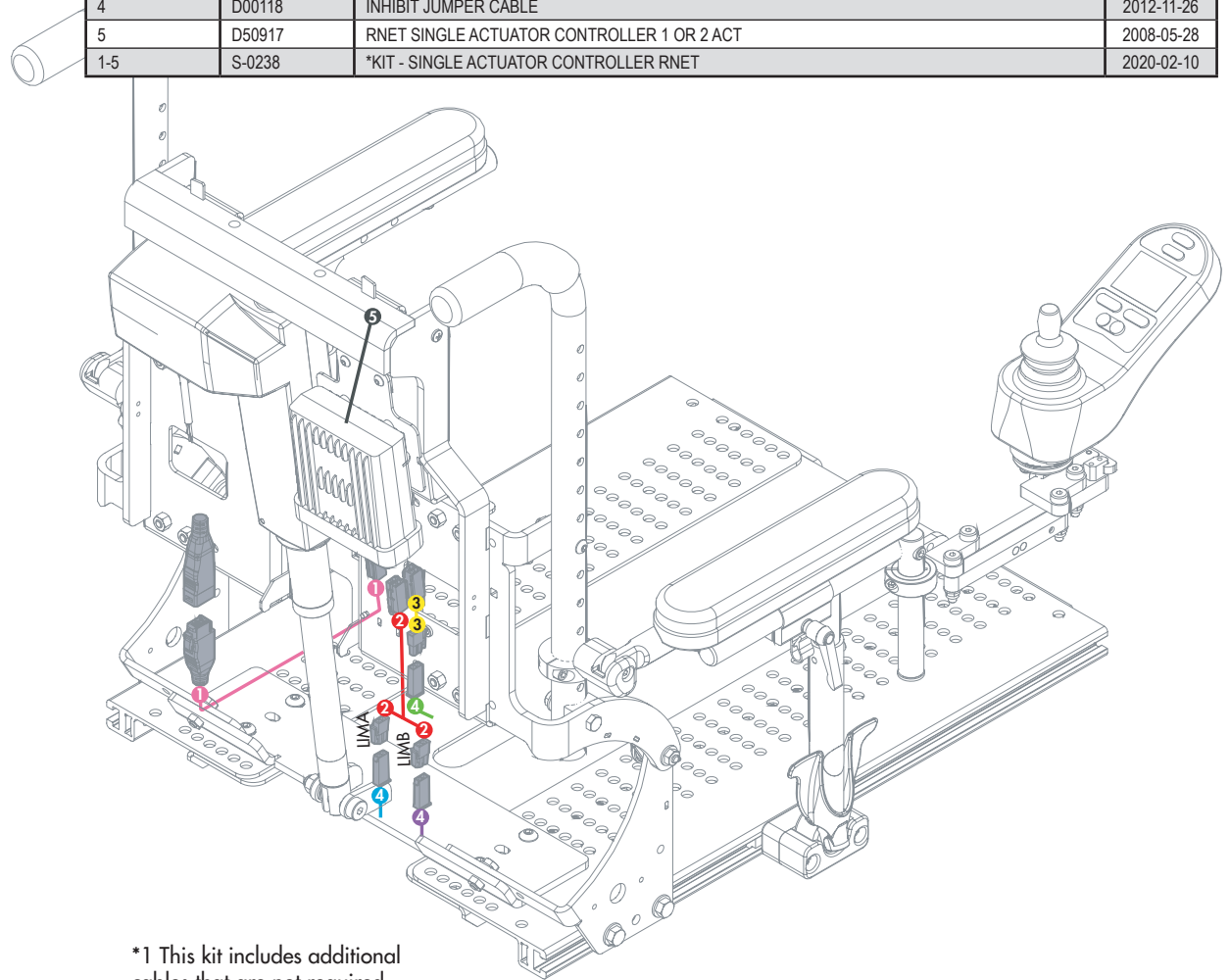
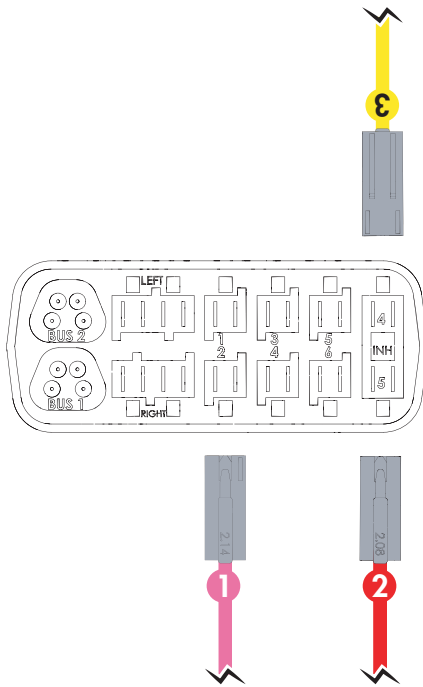


*Connected and attached in the backrest

* 1 This kit includes additional cables that are not required for this configuration

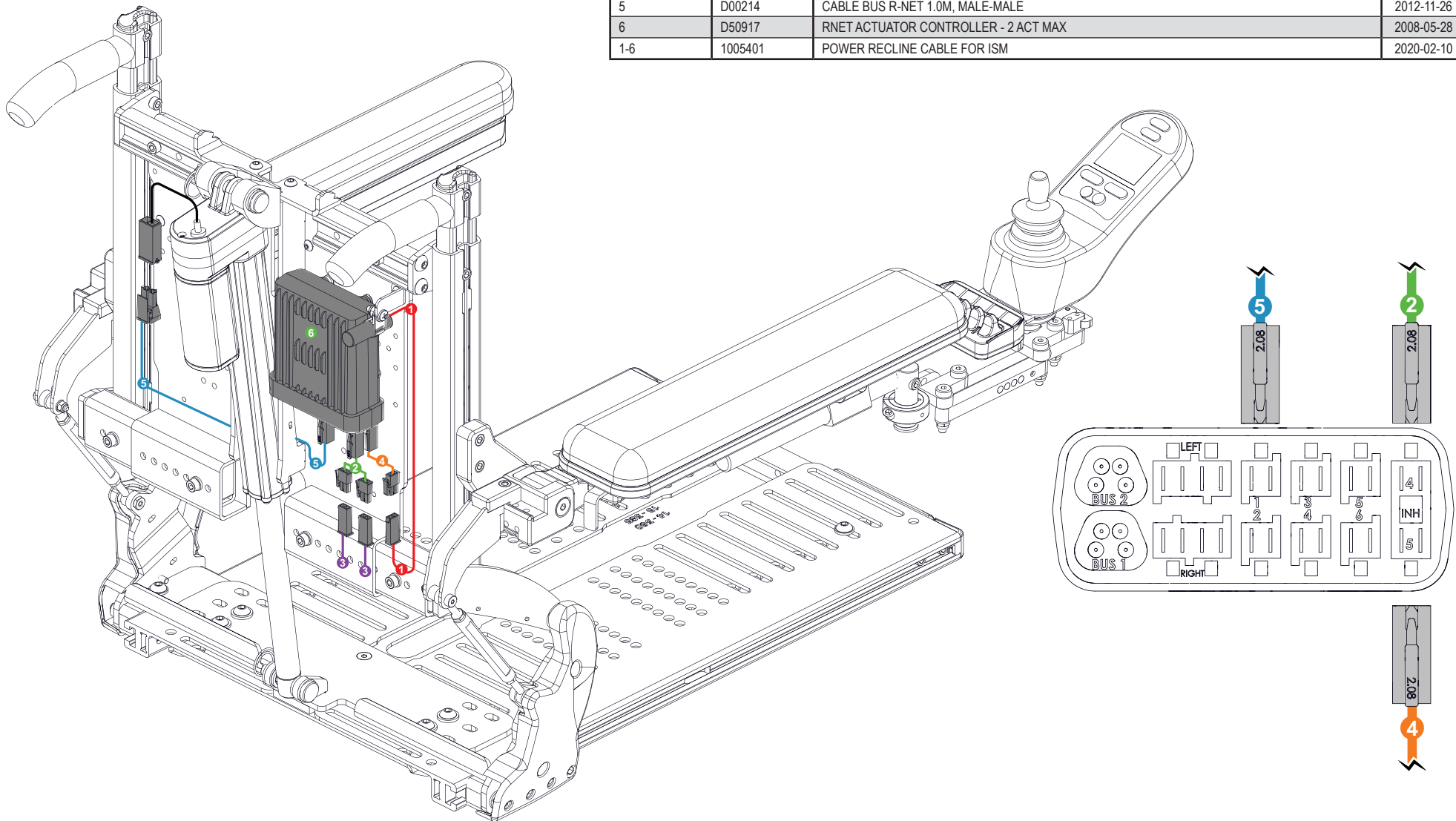
POWER SEAT FUNCTION - SAC-AMYRNET-A-R / DACD-AMYRNET-R

PART #	ITEM #	DESCRIPTION	EFFECTIVE
1	1000667	CABLE, E-BX-ISM, RECLINE, FEMALE-FEMALE (14 IN)	2020-02-27
2	D00242	INHIBIT ADAPTER SPLITTER CABLE	2016-03-11
3	D00217	INHIBIT ADAPTER CABLE	2008-05-28
4	D00118	INHIBIT JUMPER CABLE	2012-11-26
5	D50917	RNET SINGLE ACTUATOR CONTROLLER 1 OR 2 ACT	2008-05-28
1-5	S-0238	*KIT - SINGLE ACTUATOR CONTROLLER RNET	2020-02-10



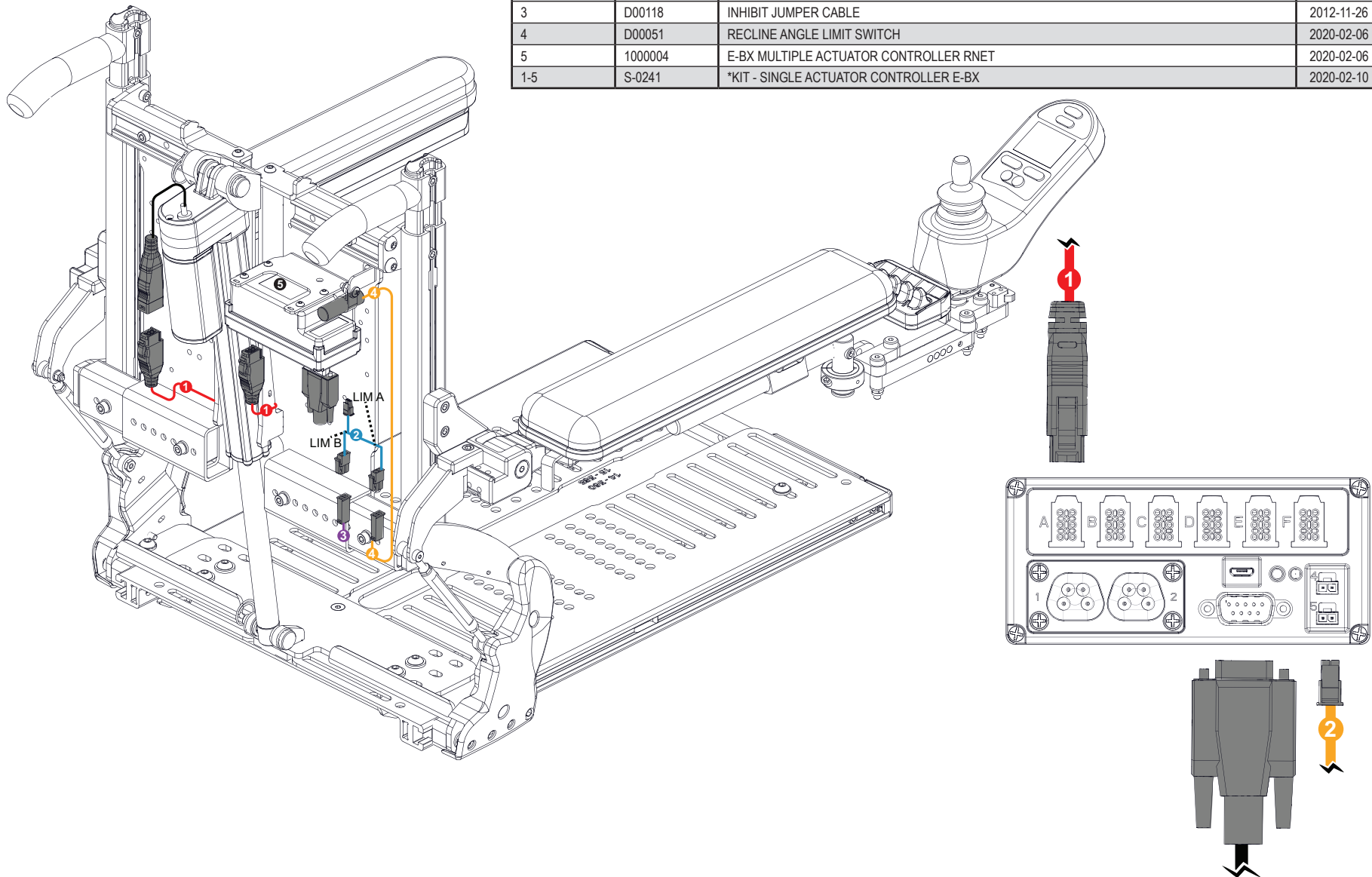
*1 This kit includes additional cables that are not required for this configuraton

POWER SEAT FUNCTION - SAC-AMYRNET-R			
PART #	ITEM #	DESCRIPTION	EFFECTIVE
1	D00051	RECLINE ANGLE LIMIT SWITCH	2020-02-27
2	D00242	INHIBIT ADAPTER SPLITTER CABLE	2016-03-11
3	D00118	INHIBIT JUMPER CABLE	2008-05-28
4	D00217	INHIBIT ADAPTER CABLE	2008-05-28
5	D00214	CABLE BUS R-NET 1.0M, MALE-MALE	2012-11-26
6	D50917	RNET ACTUATOR CONTROLLER - 2 ACT MAX	2008-05-28
1-6	1005401	POWER RECLINE CABLE FOR ISM	2020-02-10



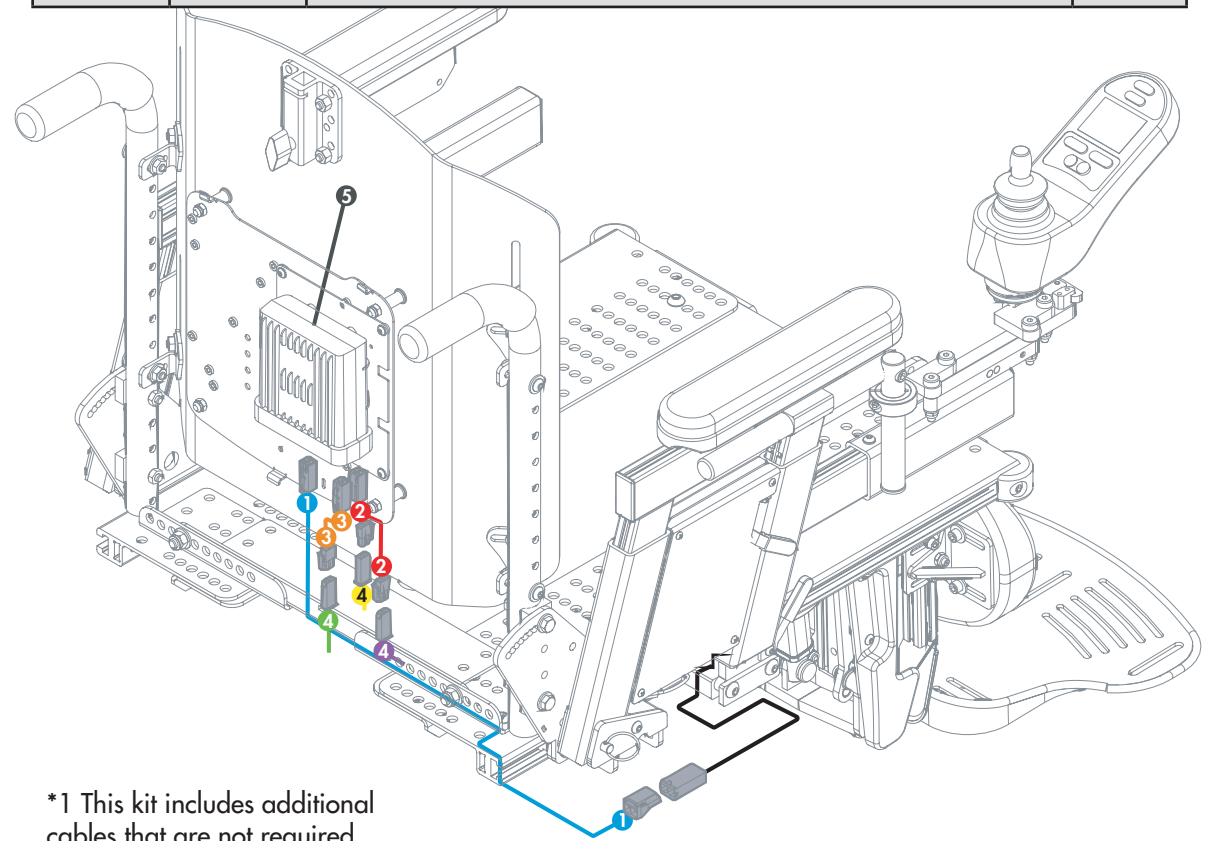
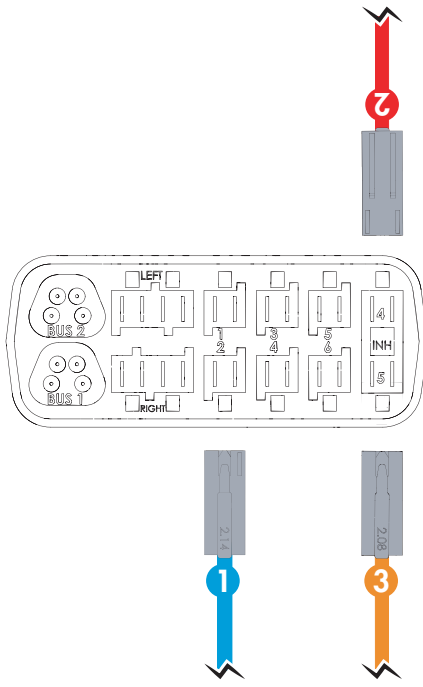
POWER SEAT FUNCTION - SAC-A-R-EBX / DACD-A-R-EBX

PART #	ITEM #	DESCRIPTION	EFFECTIVE
1	1000453	IQ ACTUATOR CABLE, E-BX, 355MM (14IN)	2019-06-03
2	1000040	ADAPTER CABLE INH E-BX	2017-09-28
3	D00118	INHIBIT JUMPER CABLE	2012-11-26
4	D00051	RECLINE ANGLE LIMIT SWITCH	2020-02-06
5	1000004	E-BX MULTIPLE ACTUATOR CONTROLLER RNET	2020-02-06
1-5	S-0241	*KIT - SINGLE ACTUATOR CONTROLLER E-BX	2020-02-10



POWER SEAT FUNCTION - SAC-AMYRNET-A-F / DACD-AMYRNET-F

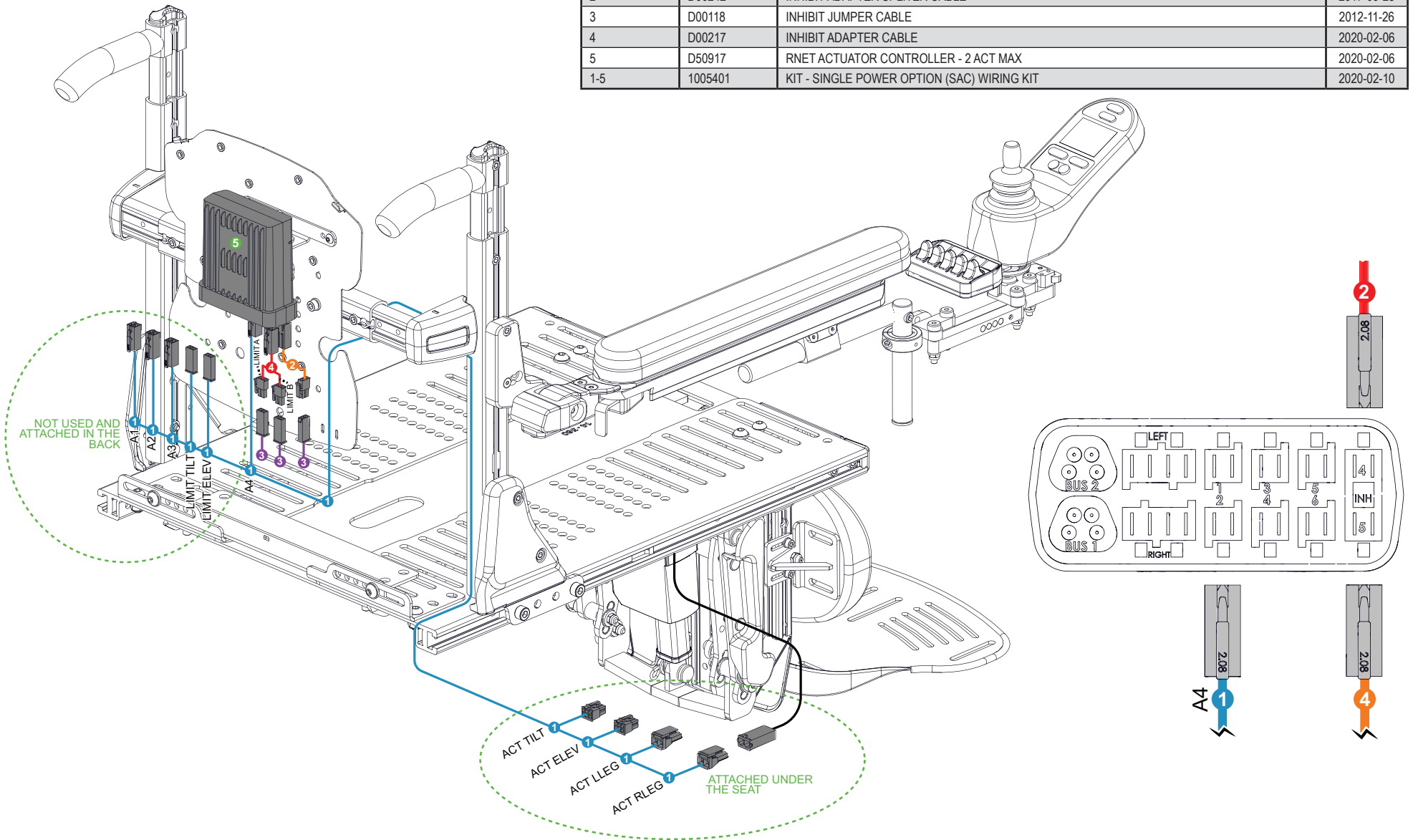
PART #	ITEM #	DESCRIPTION	EFFECTIVE
1	1000788	CABLE, ISM-MOLEX, (48 IN)	2019-01-30
2	D00242	INHIBIT ADAPTER SPLITTER CABLE	2016-03-11
3	D00217	INHIBIT ADAPTER CABLE	2008-05-28
4	D00118	INHIBIT JUMPER CABLE	2012-11-26
5	D50917	R-NET ACTUATOR CONTROLLER - 1 OR 2 ACTS	2008-05-28
1-5	S-0238	*KIT - SINGLE ACTUATOR CONTROLLER R-NET	2020-02-10



*1 This kit includes additional cables that are not required for this configuration

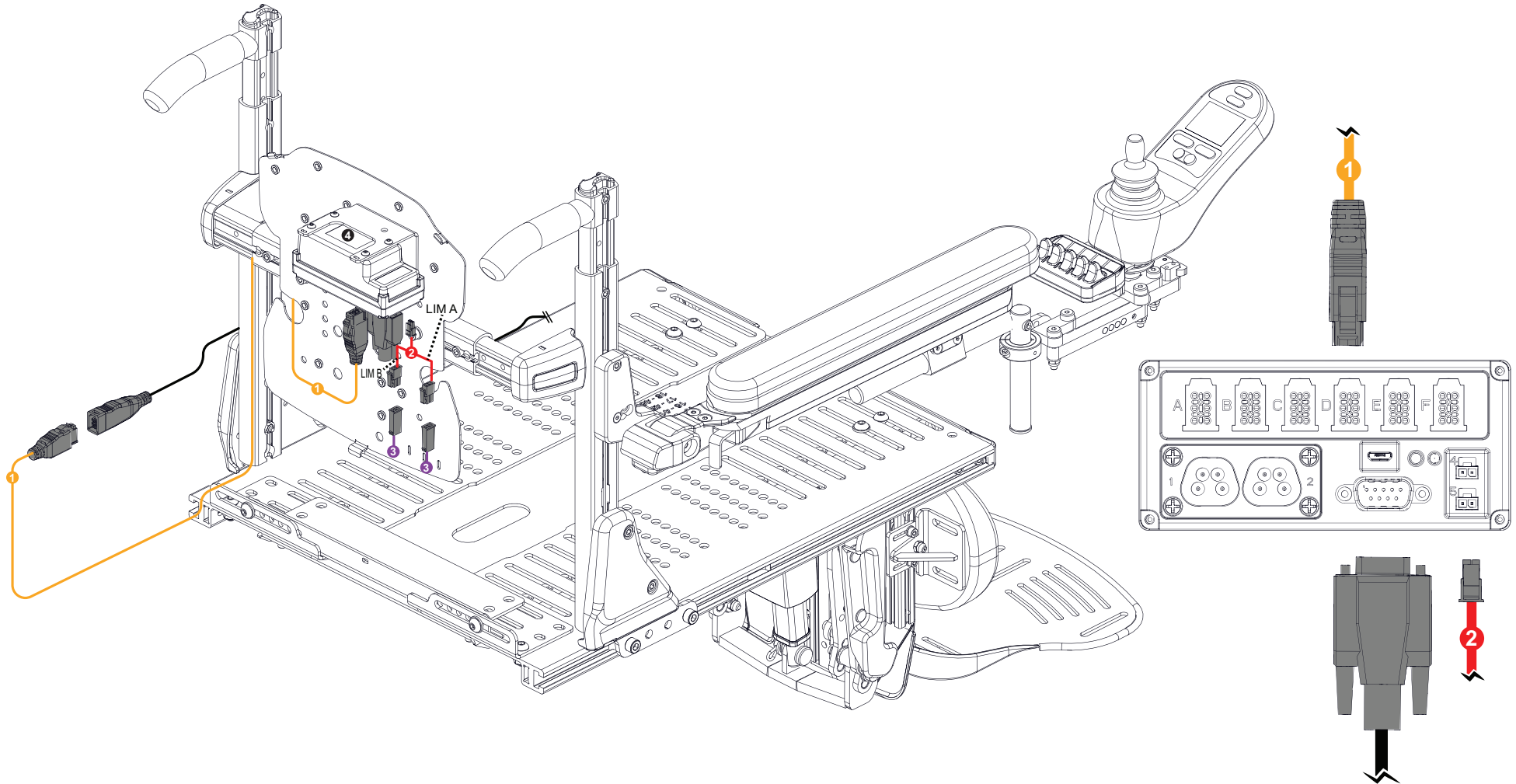
POWER SEAT FUNCTION - SAC-AMYRNET-F

PART #	ITEM #	DESCRIPTION	EFFECTIVE
1	D00319	EXPANDABLE CONTROL CABLE ASSEMBLY - ISM	2019-06-03
2	D00242	INHIBIT ADAPTER SPLITTER CABLE	2017-09-28
3	D00118	INHIBIT JUMPER CABLE	2012-11-26
4	D00217	INHIBIT ADAPTER CABLE	2020-02-06
5	D50917	RNET ACTUATOR CONTROLLER - 2 ACT MAX	2020-02-06
1-5	1005401	KIT - SINGLE POWER OPTION (SAC) WIRING KIT	2020-02-10



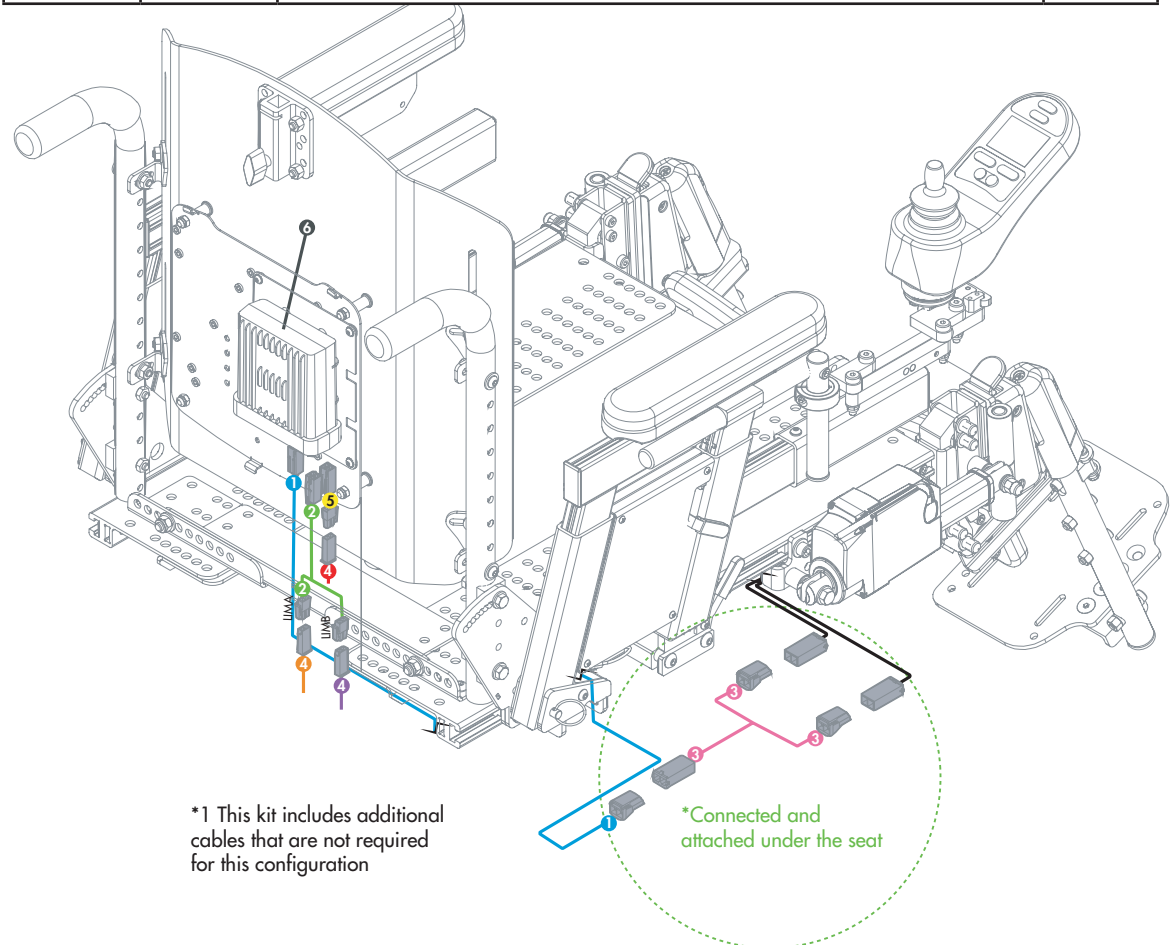
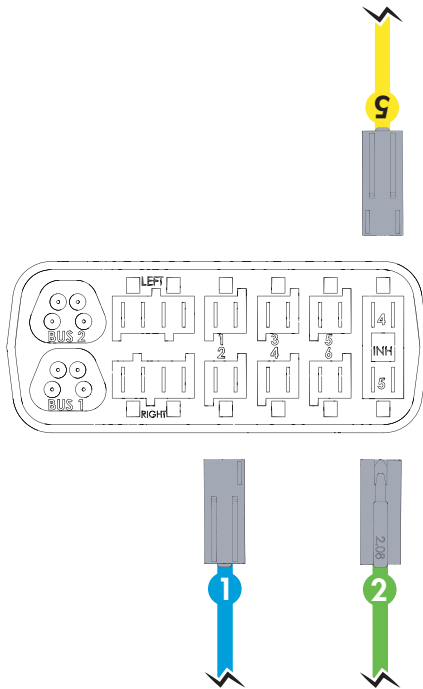
POWER SEAT FUNCTION - SAC-A-F-EBX / DACD-A-F-EBX

PART #	ITEM #	DESCRIPTION	EFFECTIVE
1	1000454	IQ ACTUATOR CABLE, E-BX, 1219MM (48 IN)	2019-04-11
2	1000040	CABLE ADAPTER INH E-BX	2017-09-28
3	D00118	INHIBIT JUMPER CABLE	2012-11-26
4	1000004	E-BX MULTIPLE ACTUATOR CONTROLLER R-NET	2020-02-06
1-4	S-0241	*KIT - SINGLE ACTUATOR CONTROLLER E-BX	2020-02-10



POWER SEAT FUNCTION - SAC-AMYRNET-A-LL / DACD-AMYRNET-LL

PART #	ITEM #	DESCRIPTION	EFFECTIVE
1	1000788	CABLE, ISM-MOLEX, (48 IN)	2019-01-30
2	D00242	INHIBIT ADAPTER SPLITTER CABLE	2016-03-11
3	D00202	CABLE, FOOTBOARD	2008-04-30
4	D00118	INHIBIT JUMPER CABLE	2012-11-26
5	D00217	INHIBIT ADAPTER CABLE	2008-05-28
6	D50917	R-NET SINGLE ACTUATOR CONTROLLER - 1 OR 2 ACT	2008-05-28
1-6	S-0238	*KIT - SINGLE ACTUATOR CONTROLLER R-NET	2020-02-10

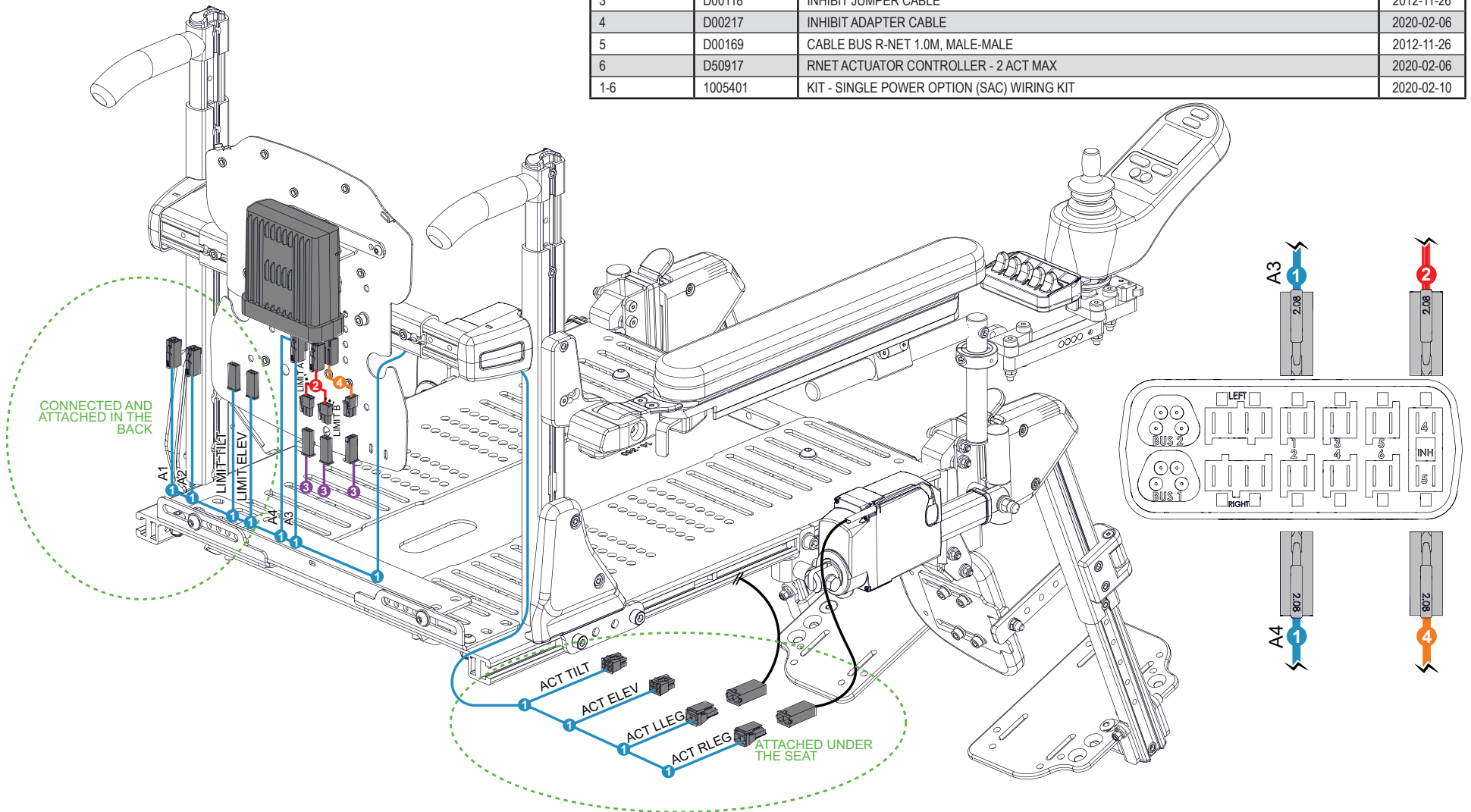


*1 This kit includes additional cables that are not required for this configuration

*Connected and attached under the seat

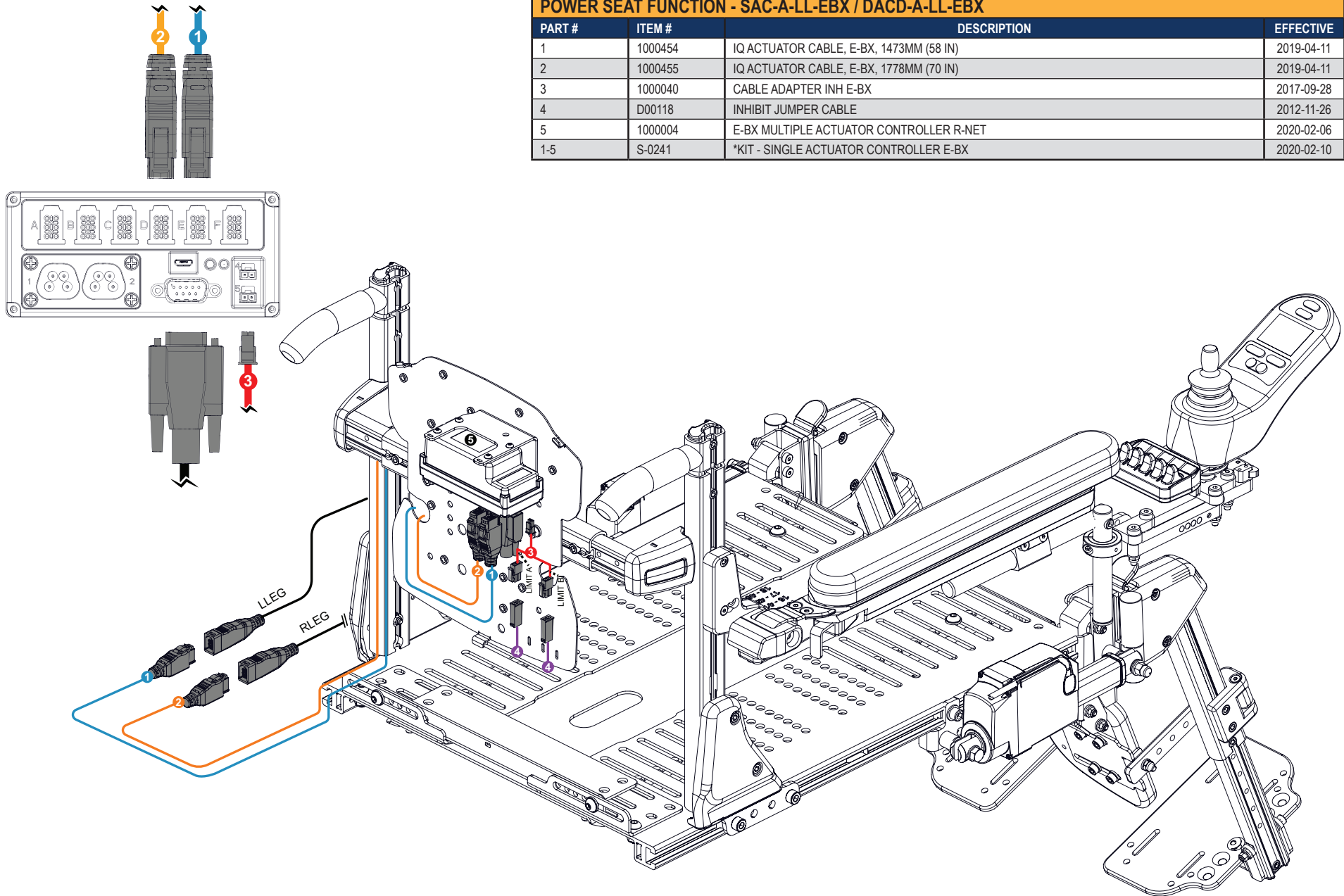
POWER SEAT FUNCTION - SAC-AMYRNET-LL

PART #	ITEM #	DESCRIPTION	EFFECTIVE
1	D00319	EXPANDABLE CONTROL CABLE ASSEMBLY - ISM	2019-04-11
2	D00242	INHIBIT ADAPTER SPLITTER CABLE	2017-09-28
3	D00118	INHIBIT JUMPER CABLE	2012-11-26
4	D00217	INHIBIT ADAPTER CABLE	2020-02-06
5	D00169	CABLE BUS R-NET 1.0M, MALE-MALE	2012-11-26
6	D50917	RNET ACTUATOR CONTROLLER - 2 ACT MAX	2020-02-06
1-6	1005401	KIT - SINGLE POWER OPTION (SAC) WIRING KIT	2020-02-10



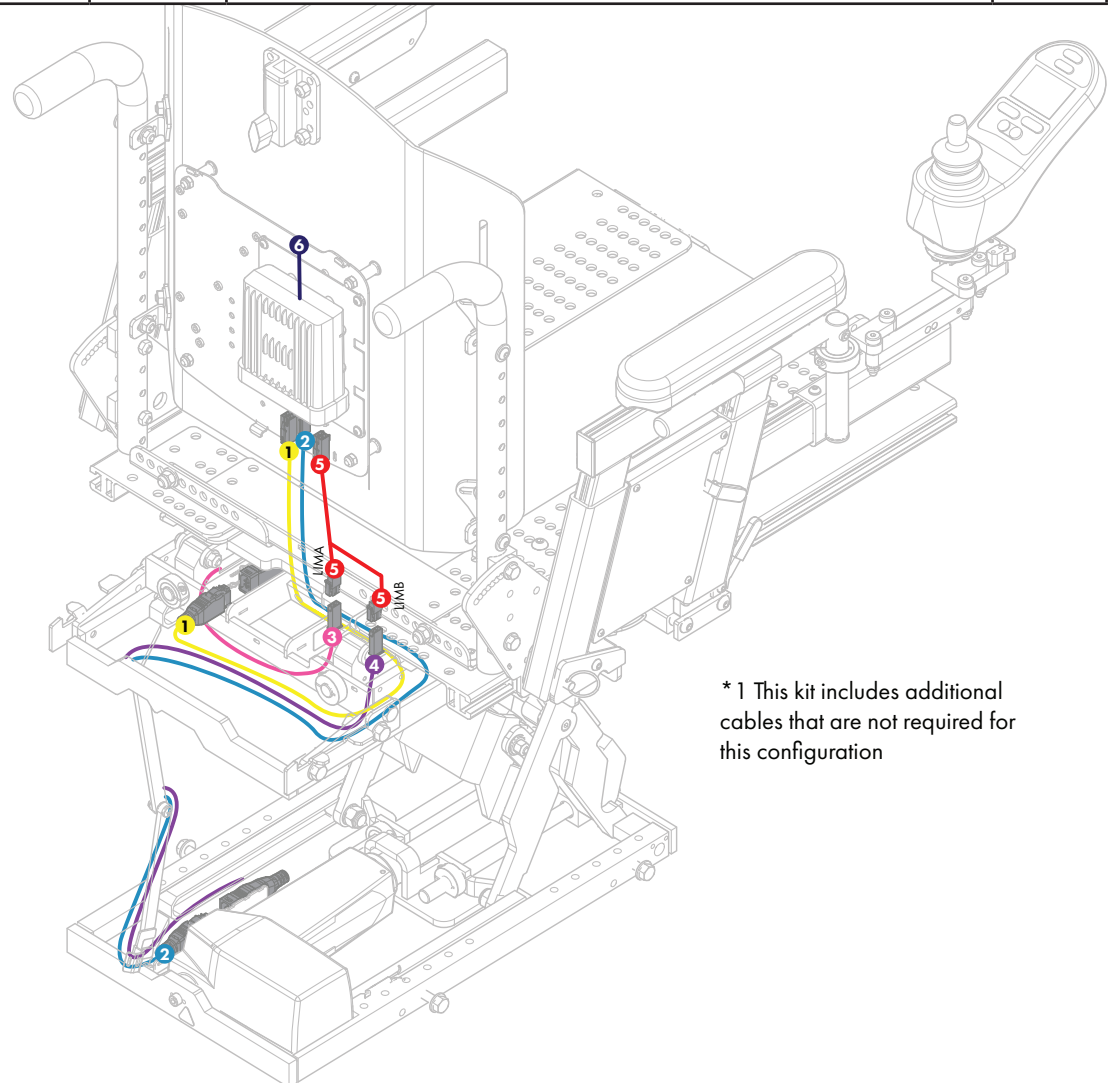
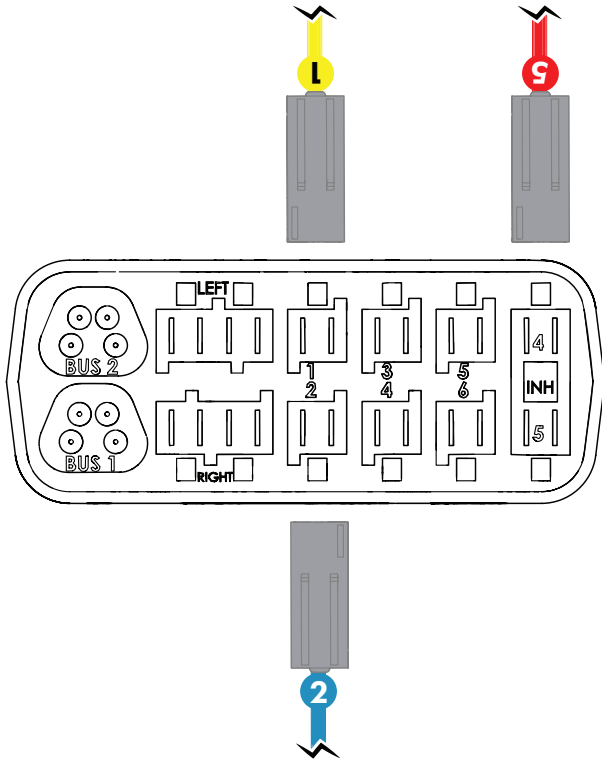
POWER SEAT FUNCTION - SAC-A-LL-EBX / DACD-A-LL-EBX

PART #	ITEM #	DESCRIPTION	EFFECTIVE
1	1000454	IQ ACTUATOR CABLE, E-BX, 1473MM (58 IN)	2019-04-11
2	1000455	IQ ACTUATOR CABLE, E-BX, 1778MM (70 IN)	2019-04-11
3	1000040	CABLE ADAPTER INH E-BX	2017-09-28
4	D00118	INHIBIT JUMPER CABLE	2012-11-26
5	1000004	E-BX MULTIPLE ACTUATOR CONTROLLER R-NET	2020-02-06
1-5	S-0241	*KIT - SINGLE ACTUATOR CONTROLLER E-BX	2020-02-10



POWER SEAT FUNCTION - SAC-AMYRNET-A-TE

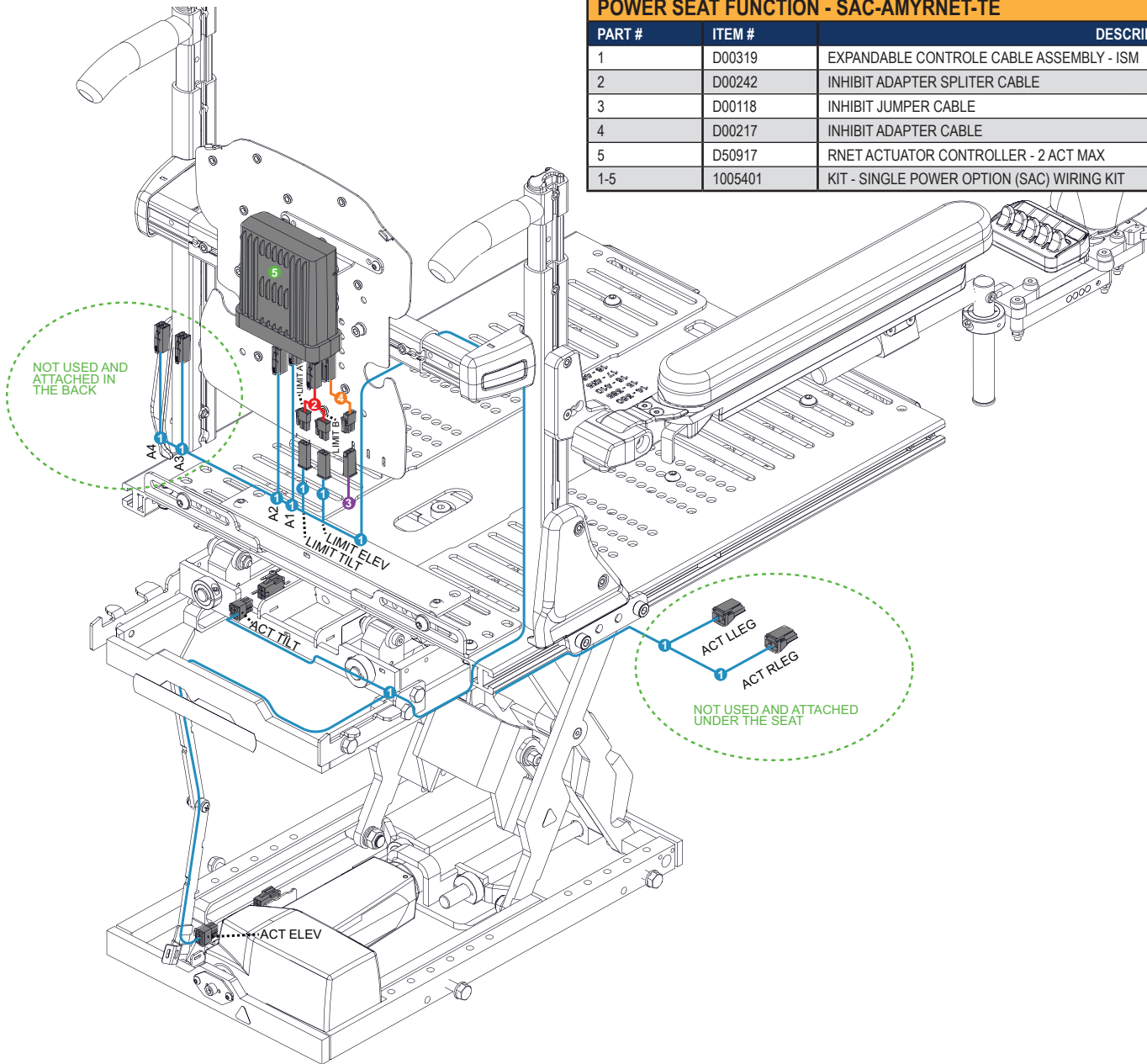
PART #	ITEM #	DESCRIPTION	EFFECTIVE
1	1000668	CABLE, E-BX-ISM, TILT, FEMALE-FEMALE, 48 INCH	2019-11-07
2	1000669	CABLE, E-BX-ISM, ELEVATE, FEMALE-FEMALE, 70 INCH	2018-11-09
3	1000673	MECHANICAL LIMIT SWITCH WITH 42IN CABLE	2020-01-09
4	1000670	MECHANICAL LIMIT SWITCH WITH 64IN CABLE	2019-12-30
5	D00242	INHIBIT ADAPTER SPLITTER CABLE	2016-03-11
6	D50917	RNET SINGLE ACTUATOR CONTROLLER - 1 ACT	2008-05-28
1-6	S-0238	*KIT - SINGLE ACTUATOR CONTROLLER RNET	2020-02-10



* 1 This kit includes additional cables that are not required for this configuration

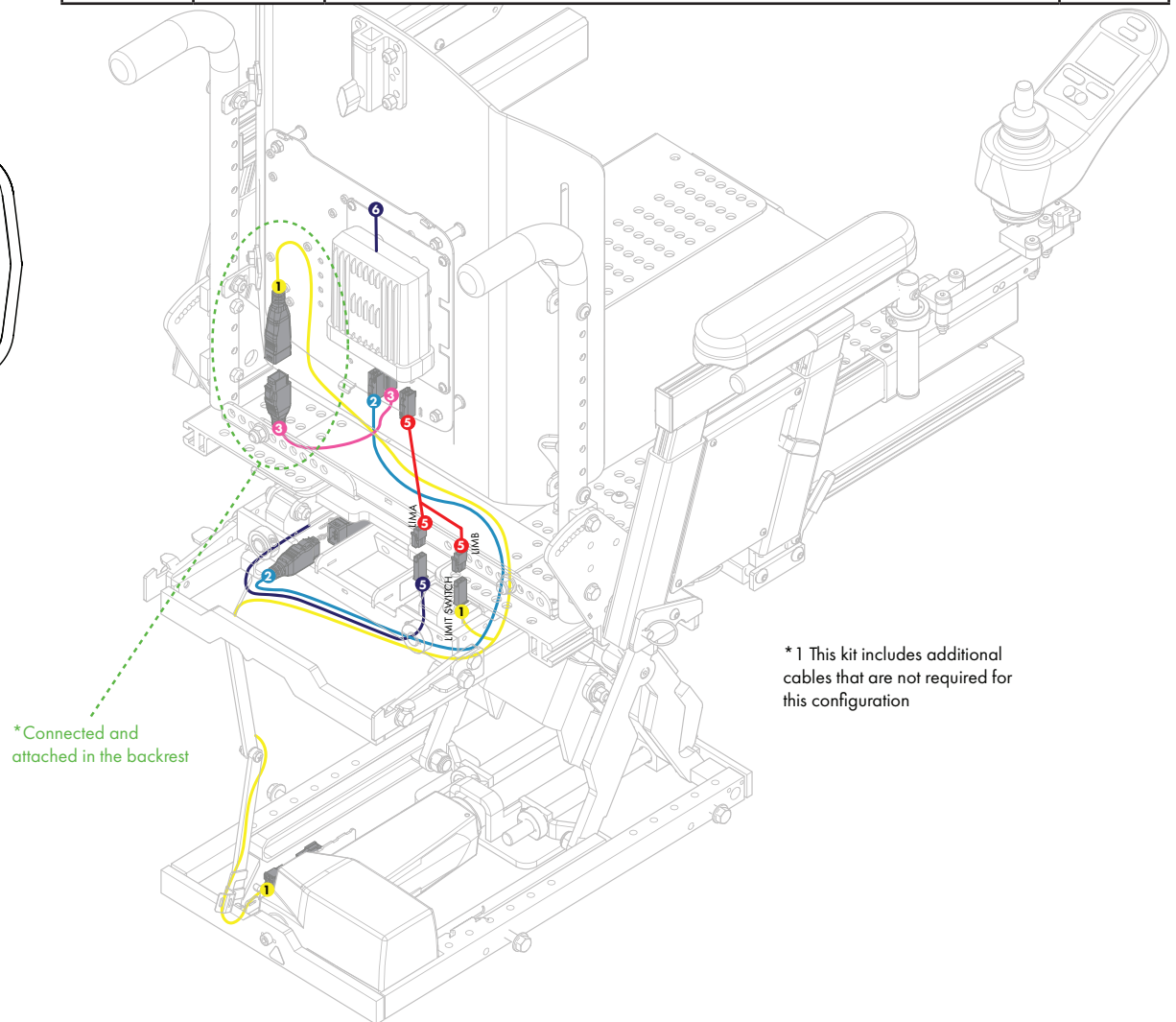
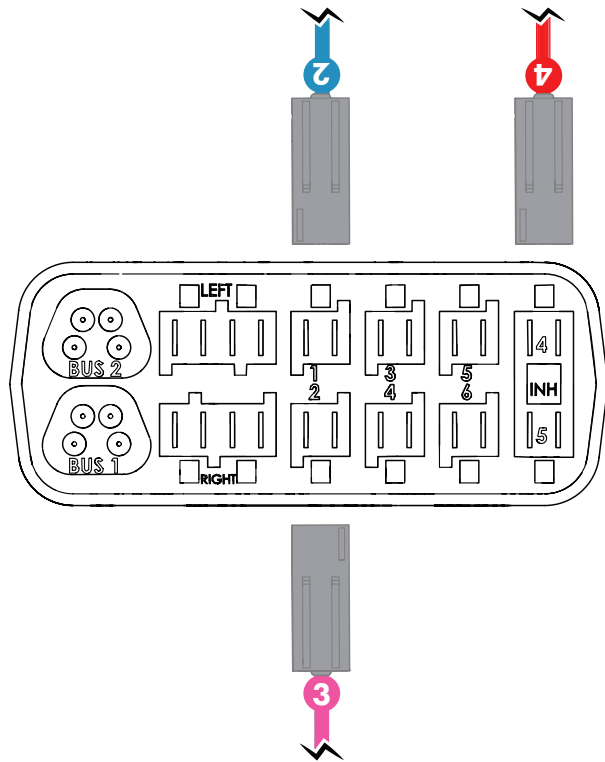
POWER SEAT FUNCTION - SAC-AMYRNET-TE

PART #	ITEM #	DESCRIPTION	EFFECTIVE
1	D00319	EXPANDABLE CONTROL CABLE ASSEMBLY - ISM	2017-09-28
2	D00242	INHIBIT ADAPTER SPLITTER CABLE	2019-04-11
3	D00118	INHIBIT JUMPER CABLE	2019-04-11
4	D00217	INHIBIT ADAPTER CABLE	2012-11-26
5	D50917	RNET ACTUATOR CONTROLLER - 2 ACT MAX	2020-02-06
1-5	1005401	KIT - SINGLE POWER OPTION (SAC) WIRING KIT	2020-02-10



POWER SEAT FUNCTION - SAC-AMYRNET-A-TE-HD

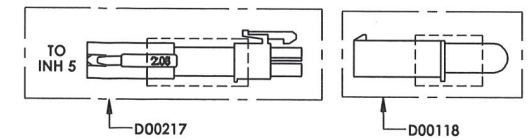
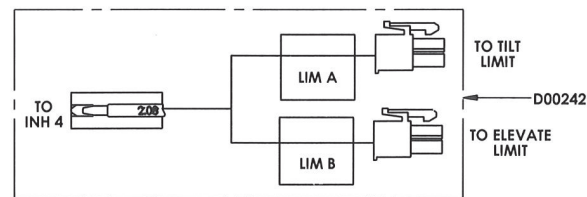
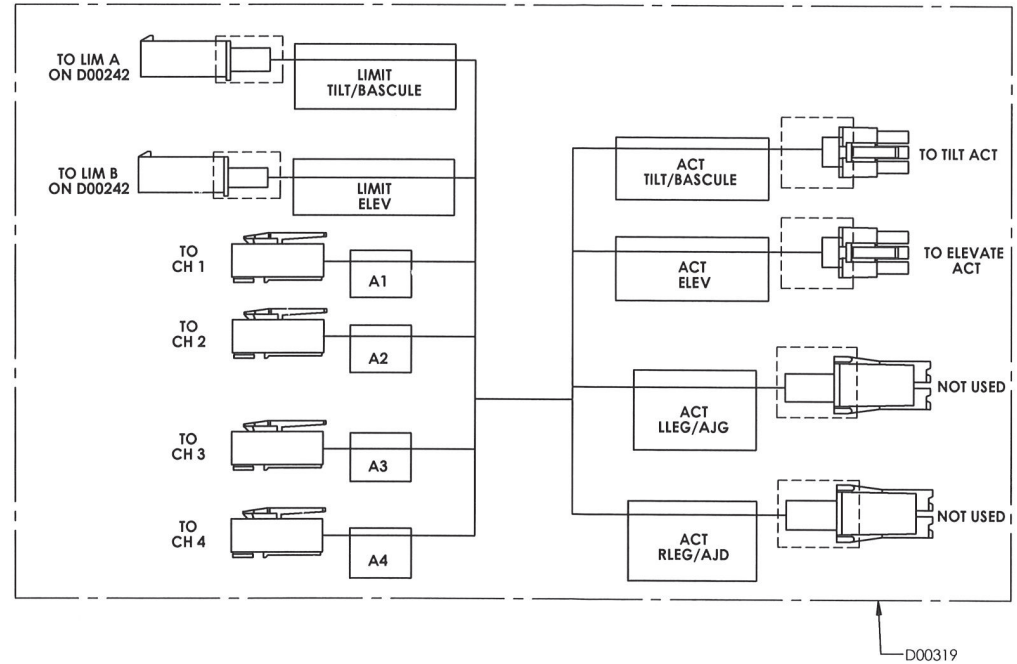
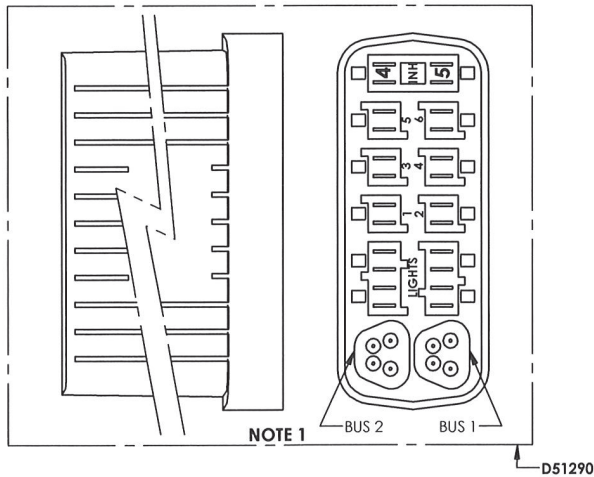
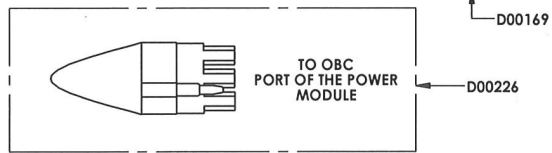
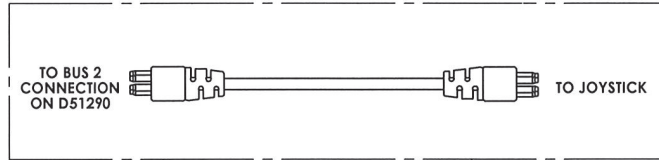
PART #	ITEM #	DESCRIPTION	EFFECTIVE
1	1000835	CABLE, EBX-MOLEX FOR ELEVATE BARIATRIC, 1676MM (66 INCH)	2019-02-12
2	1000668	CABLE, E-BX-ISM, TILT, FEMALE-FEMALE, 48 INCH	2019-11-07
3	1000669	CABLE, E-BX-ISM, ELEVATE, FEMALE-FEMALE, 70 INCH	2018-11-09
4	D00242	INHIBIT ADAPTER SPLITTER CABLE	2016-03-11
5	1000673	MECHANICAL LIMIT SWITCH WITH 42IN CABLE	2020-01-09
6	D50917	RNET SINGLE ACTUATOR CONTROLLER - 1 ACT	2008-05-28
2-6	S-0238	*KIT - SINGLE ACTUATOR CONTROLLER RNET	2020-02-10



* Connected and attached in the backrest

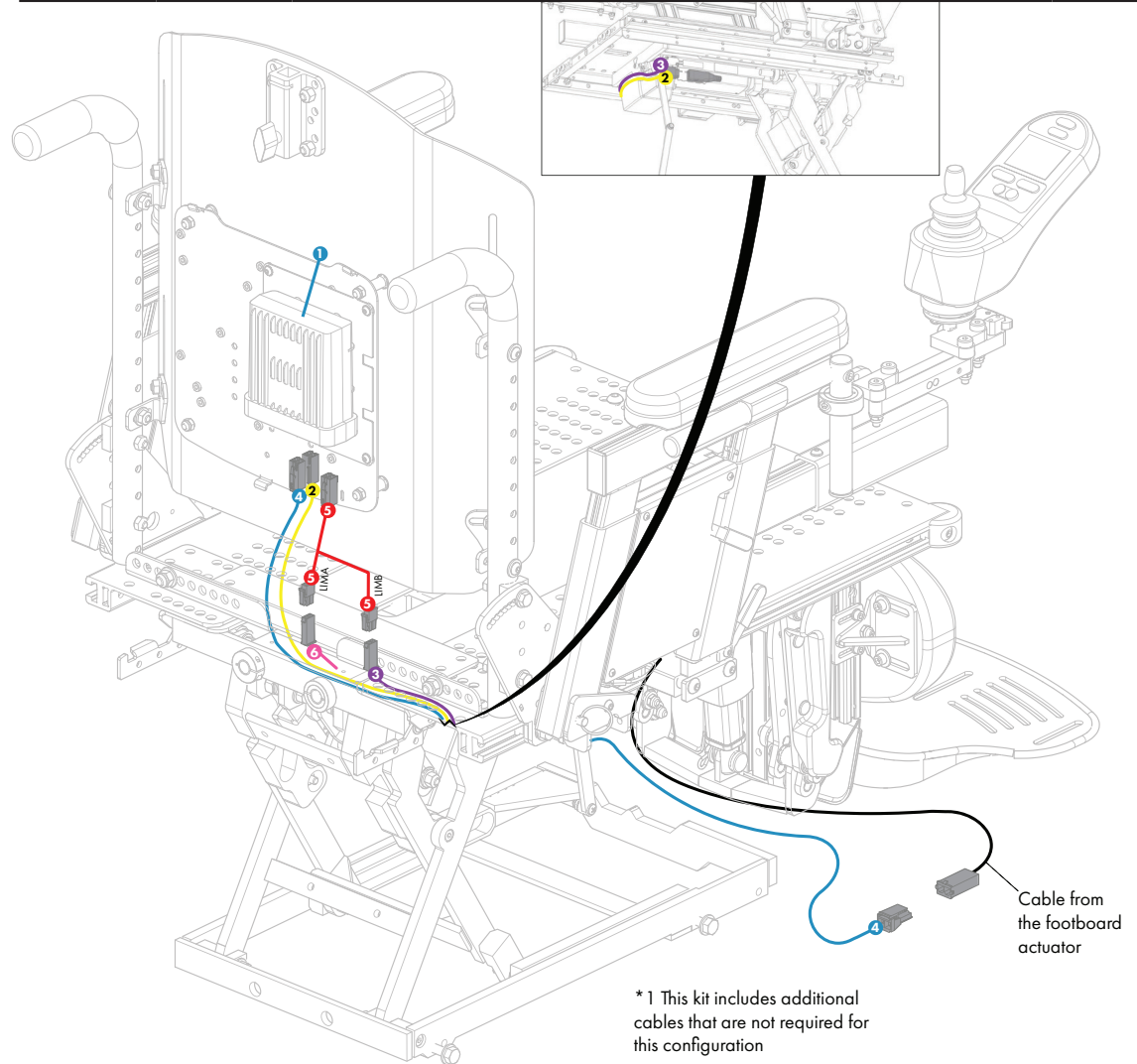
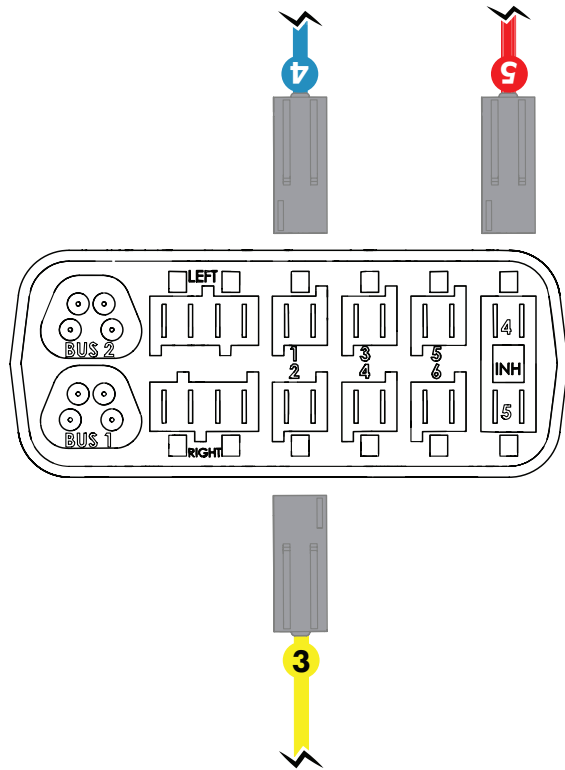
* 1 This kit includes additional cables that are not required for this configuration

TILT ELEVATE - RNET		
PART #	DESCRIPTION	EFFECTIVE
EF12-0011	DUAL POWER OPTION - TILT ELEVATE - RNET	



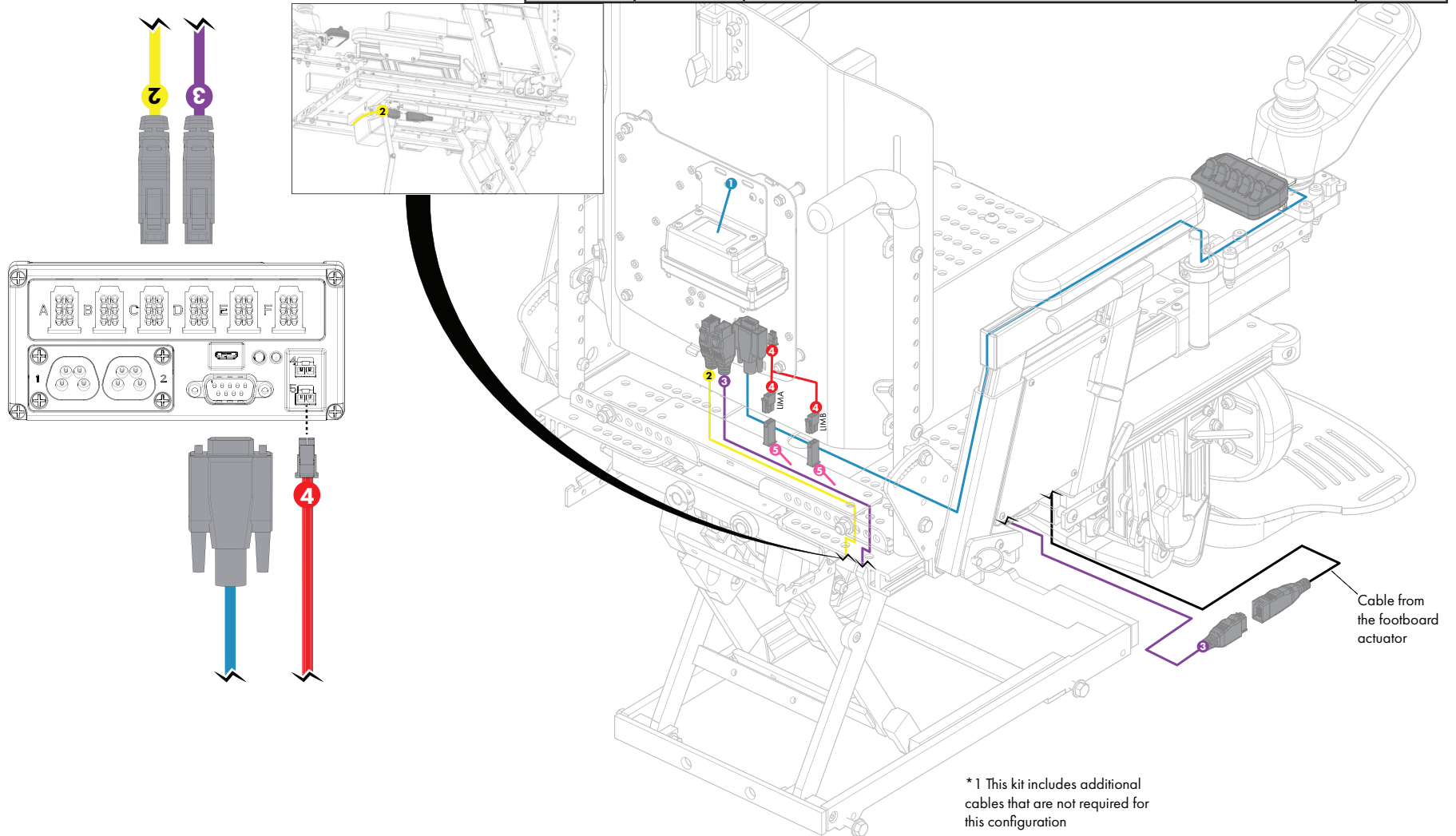
POWER SEAT FUNCTION - SAC-AMYRNET-A-EF

PART #	ITEM #	DESCRIPTION	EFFECTIVE
1	D50917	RNET SINGLE ACTUATOR CONTROLLER - 1 ACT	2008-05-28
2	1000669	CABLE, E-BX-ISM, ELEVATE, FEMALE-FEMALE, 70 INCH	2018-11-09
3	1000670	MECHANICAL LIMIT SWITCH WITH 64IN CABLE	2018-11-09
4	1000788	CABLE, ISM-MOLEX, 48 INCH	2016-03-11
5	D00242	INHIBIT ADAPTER SPLITTER CABLE	2016-03-11
6	D00118	INHIBIT JUMPER CABLE	2012-11-26
2-6	S-0238	*KIT - SINGLE ACTUATOR CONTROLLER RNET	2020-02-10



* 1 This kit includes additional cables that are not required for this configuration

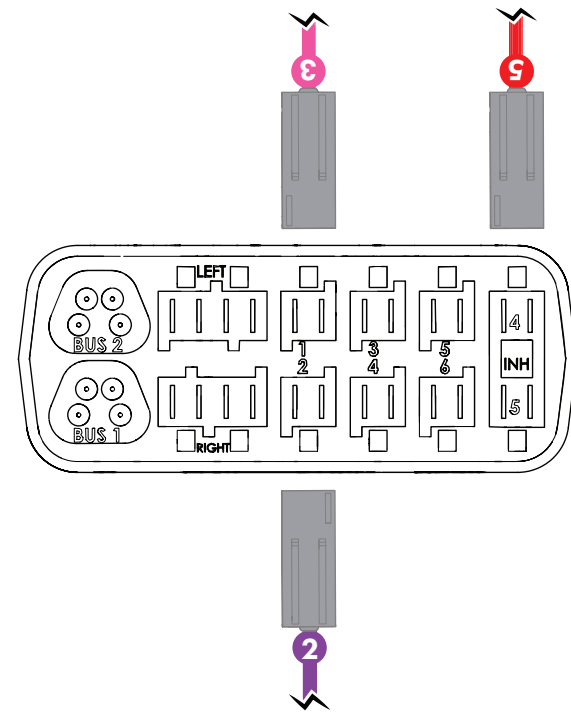
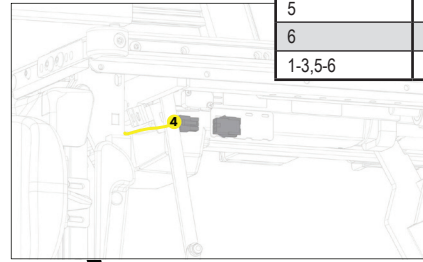
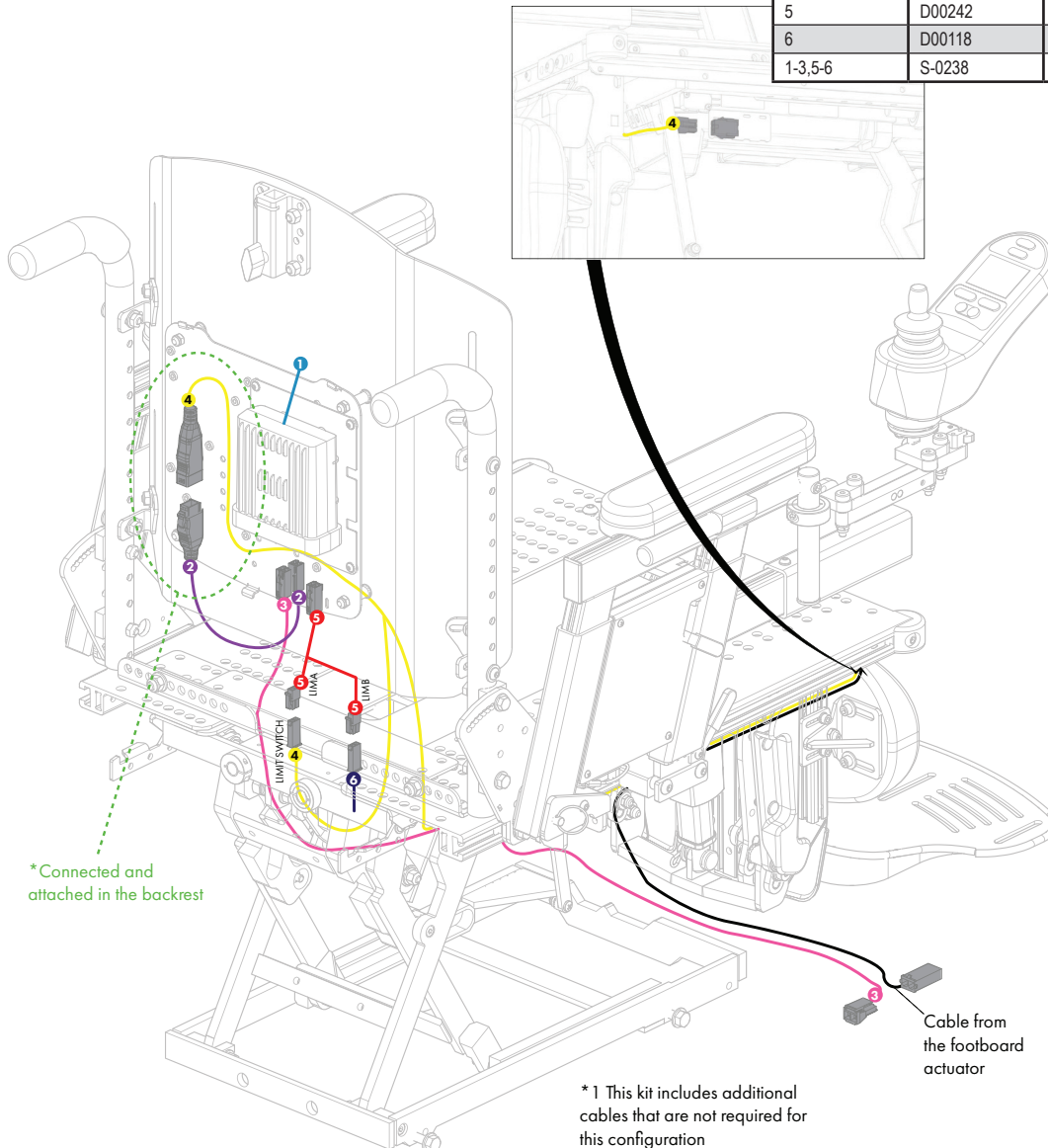
POWER SEAT FUNCTION - SAC-A-EF-EBX			
PART #	ITEM #	DESCRIPTION	EFFECTIVE
1	1000004	E-BX MULTIPLE ACTUATOR CONTROLLER RNET	2020-02-06
2	1000455	IQ ACTUATOR CABLE, E-BX, 1778MM (70IN)	2019-04-11
3	1000454	IQ ACTUATOR CABLE, E-BX, 1219MM (48IN)	2019-04-11
4	1000040	CABLE ADAPTOR INH E-BX	2017-09-28
5	D00118	INHIBIT JUMPER CABLE	2012-11-26
1-5	S-0241	*KIT - SINGLE ACTUATOR CONTROLLER E-BX	2020-02-10



*1 This kit includes additional cables that are not required for this configuration

POWER SEAT FUNCTION - SAC-AMYRNET-A-EF-HD

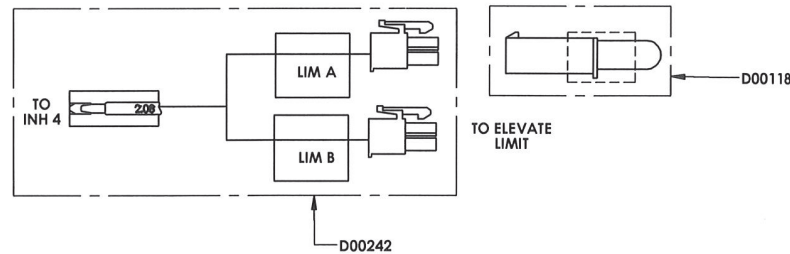
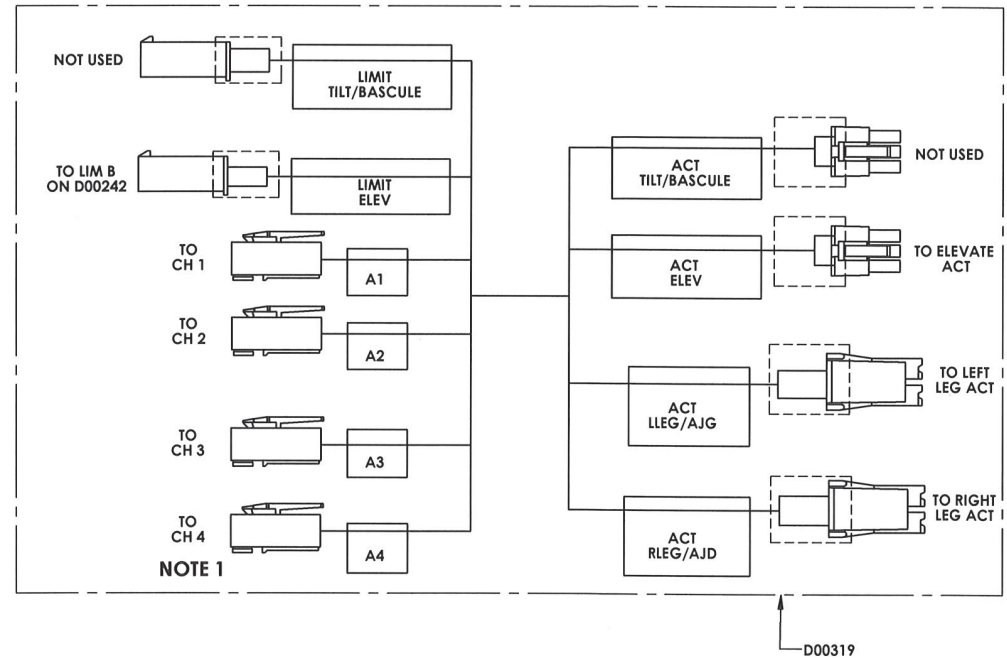
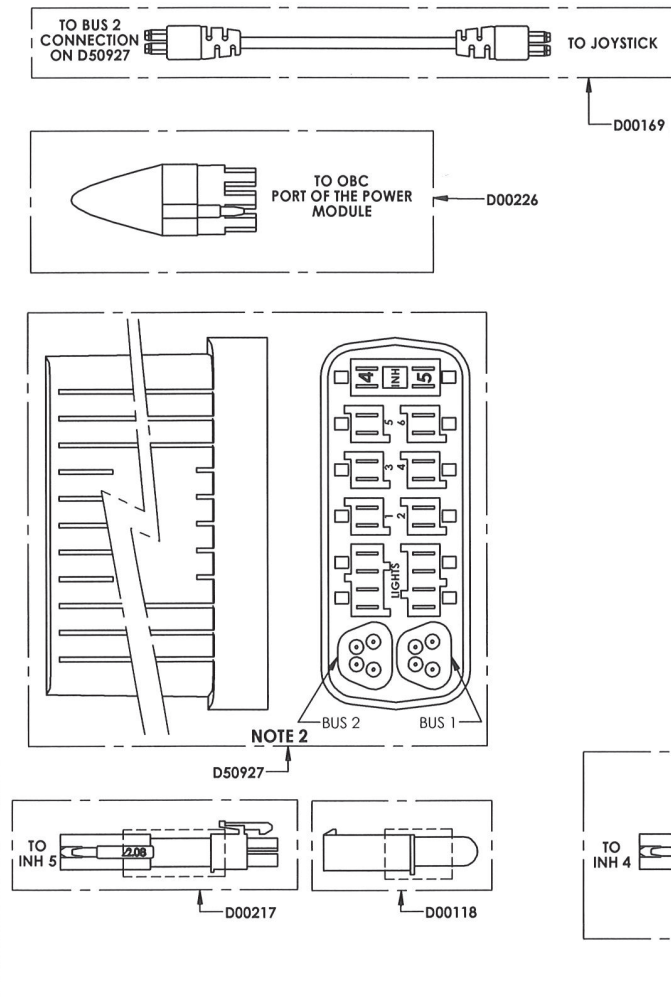
PART #	ITEM #	DESCRIPTION	EFFECTIVE
1	D50917	RNET SINGLE ACTUATOR CONTROLLER - 1 ACT	2008-05-28
2	1000669	CABLE, E-BX-ISM, ELEVATE, FEMALE-FEMALE, 70 INCH	2018-11-09
3	1000788	CABLE, ISM-MOLEX, 48 INCH	2019-01-30
4	1000835	CABLE, EBX-MOLEX FOR ELEVATE BARIATRIC, 1676MM (66 INCH)	2019-02-12
5	D00242	INHIBIT ADAPTER SPLITER CABLE	2016-03-11
6	D00118	INHIBIT JUMPER CABLE	2012-11-26
1-3,5-6	S-0238	*KIT - SINGLE ACTUATOR CONTROLLER RNET	2020-02-10



* 1 This kit includes additional cables that are not required for this configuration

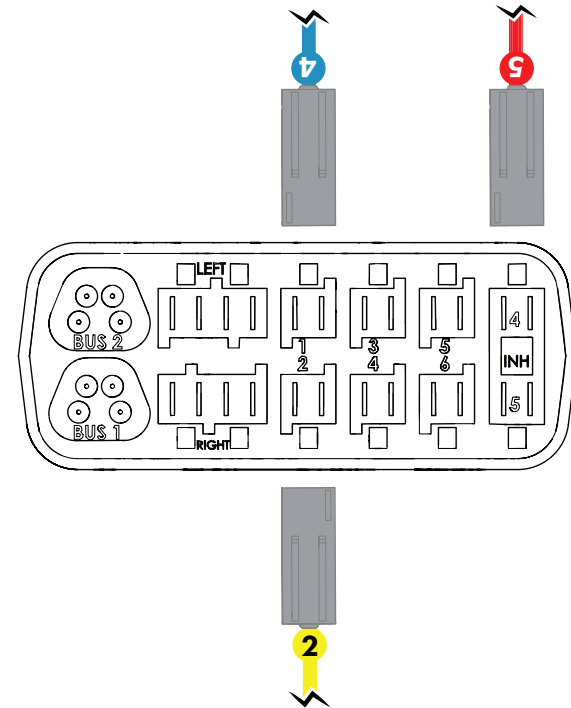
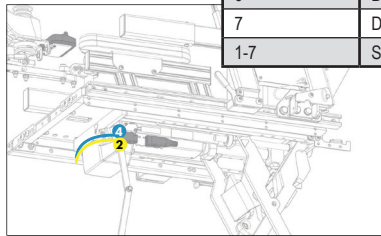
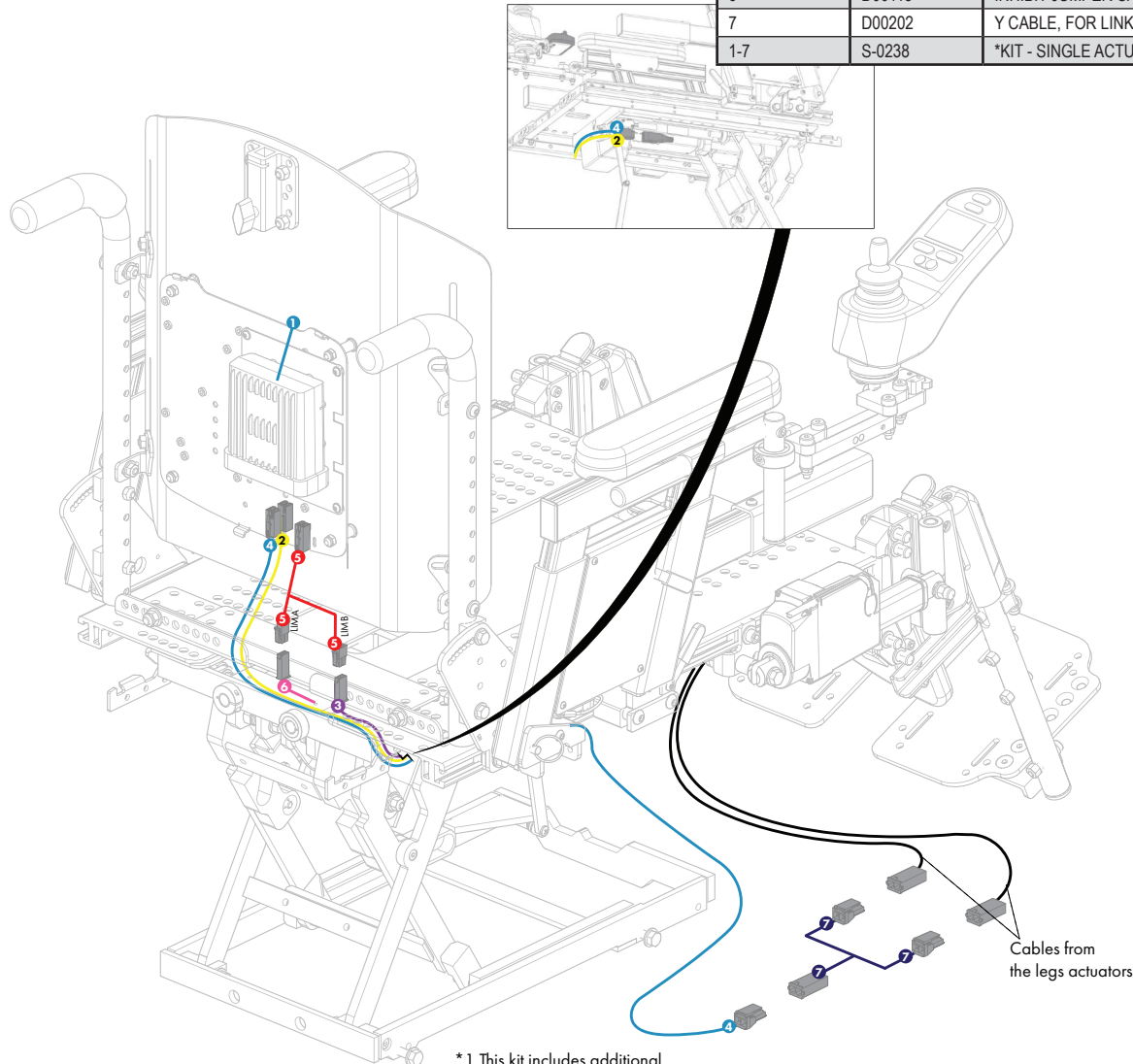
Cable from the footboard actuator

ELEVATE FOOTBOARD - RNET		
PART #	DESCRIPTION	EFFECTIVE
EF14-0030	DUAL POWER OPTION - ELEVATE FOOTBOARD - RNET	



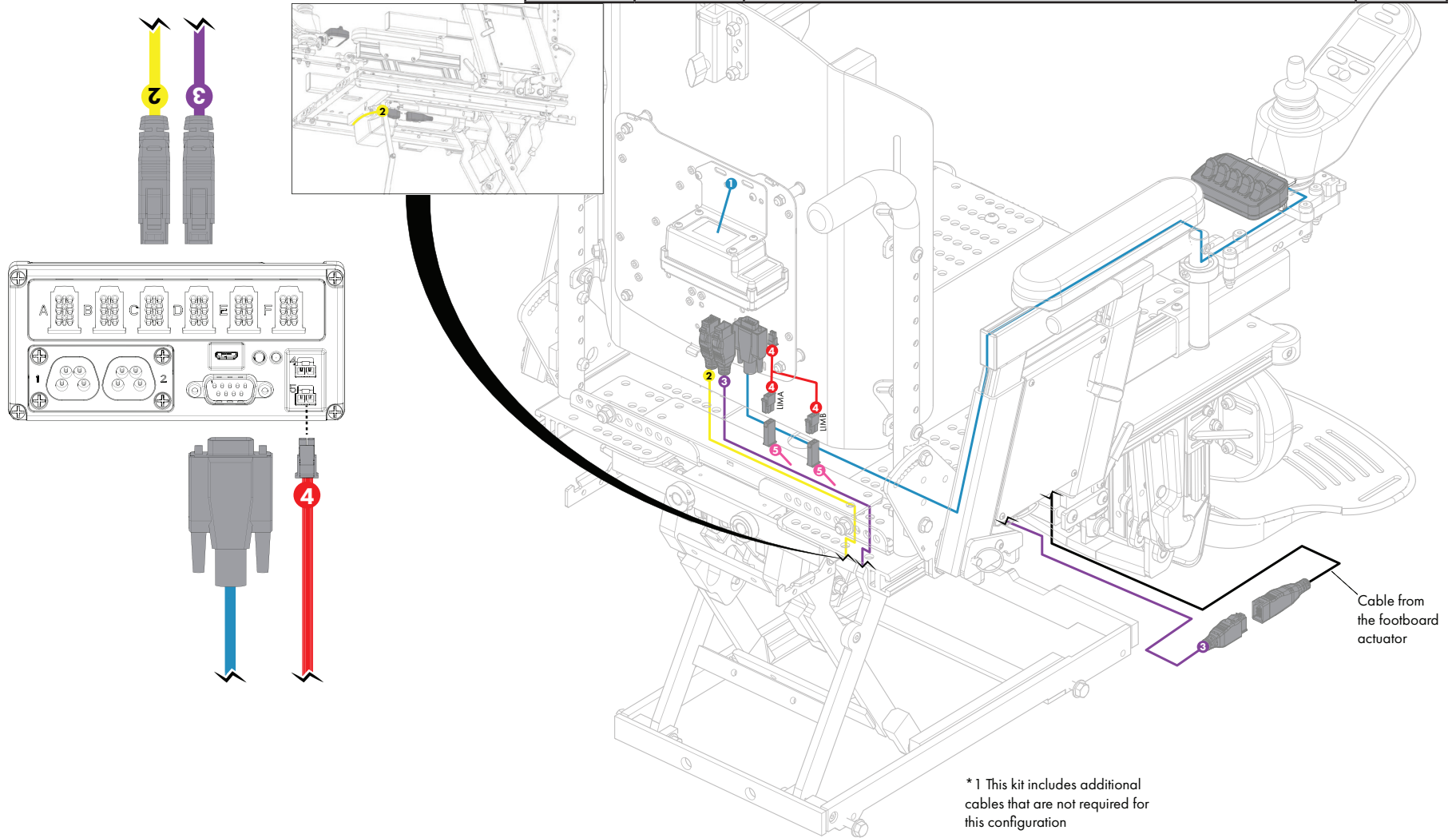
POWER SEAT FUNCTION - SAC-AMYRNET-A-ELL

PART #	ITEM #	DESCRIPTION	EFFECTIVE
1	D50917	RNET SINGLE ACTUATOR CONTROLLER - 1 ACT	2008-05-28
2	1000669	CABLE, E-BX-ISM, ELEVATE, FEMALE-FEMALE, 70 INCH	2018-11-09
3	1000670	MECHANICAL LIMIT SWITCH WITH 64IN CABLE	2019-12-30
4	1000788	CABLE, ISM-MOLEX, 48 INCH	2019-01-30
5	D00242	INHIBIT ADAPTER SPLITER CABLE	2016-03-11
6	D00118	INHIBIT JUMPER CABLE	2012-11-26
7	D00202	Y CABLE, FOR LINKING TWO LEGREST ACTUATORS	2008-04-30
1-7	S-0238	*KIT - SINGLE ACTUATOR CONTROLLER RNET	2020-02-10



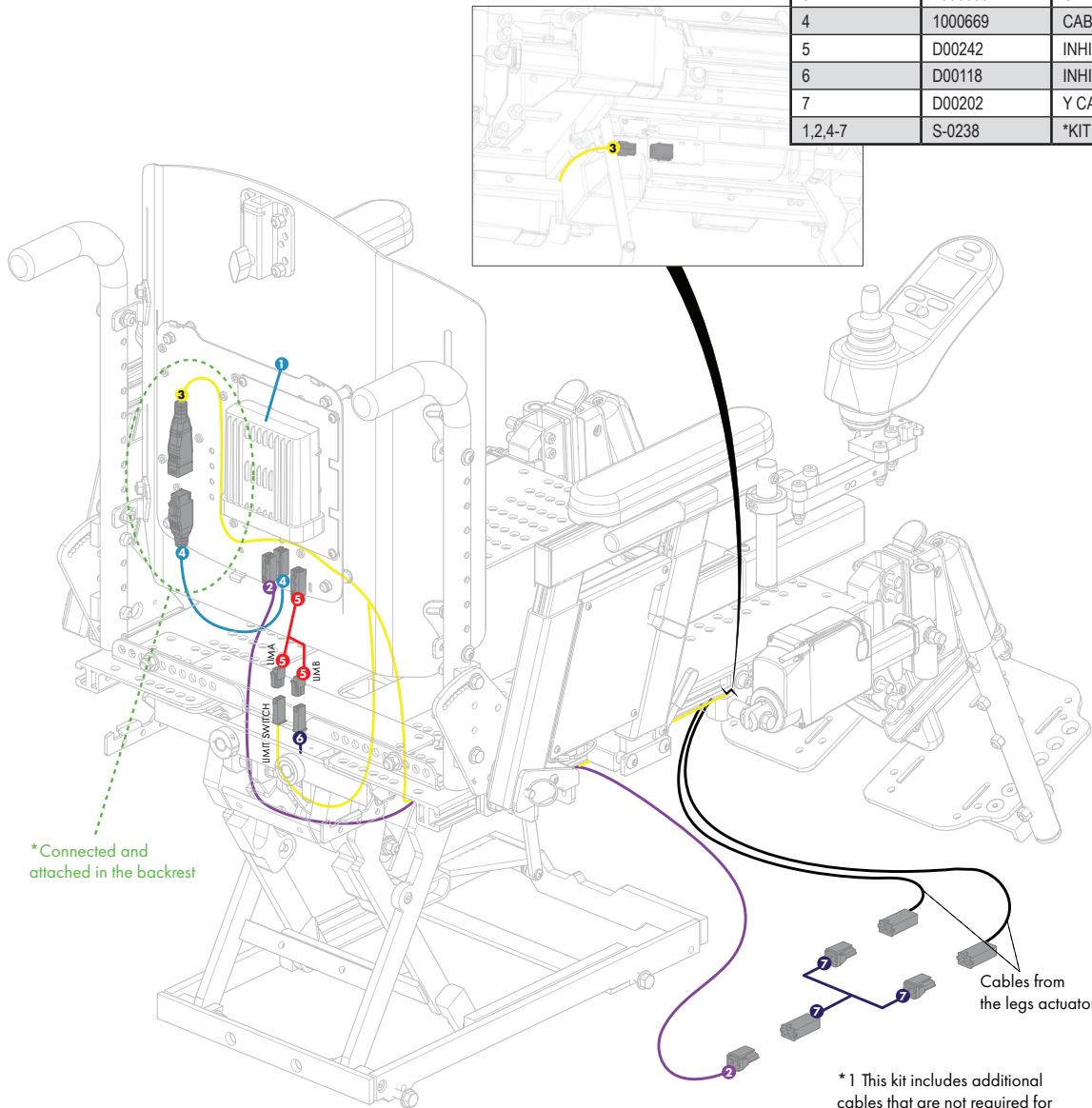
*1 This kit includes additional cables that are not required for this configuration

POWER SEAT FUNCTION - SAC-A-ELL-EBX			
PART #	ITEM #	DESCRIPTION	EFFECTIVE
1	1000004	E-BX MULTIPLE ACTUATOR CONTROLLER RNET	2020-02-06
2	1000455	IQ ACTUATOR CABLE, E-BX, 1778MM (70IN)	2019-04-11
3	1000454	IQ ACTUATOR CABLE, E-BX, 1219MM (48IN)	2019-04-11
4	D00118	INHIBIT JUMPER CABLE	2012-11-26
5	1000040	CABLE ADAPTOR INH E-BX	2017-09-28
1-5	S-0241	*KIT - SINGLE ACTUATOR CONTROLLER E-BX	2020-02-10

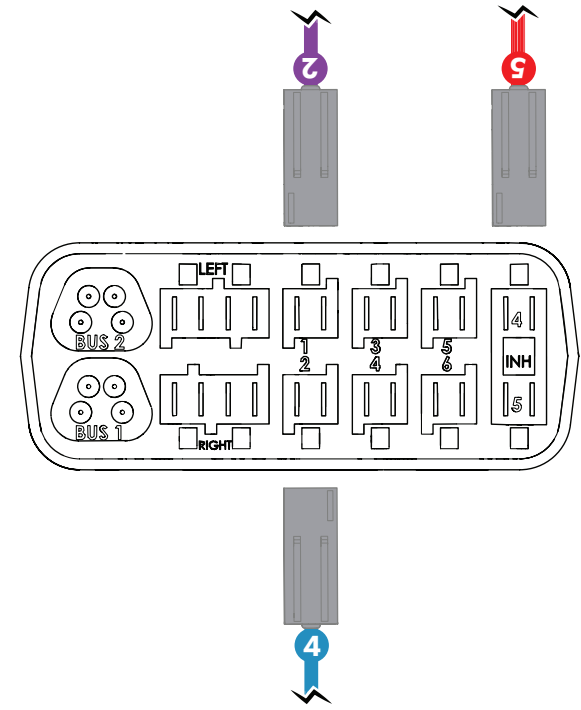


POWER SEAT FUNCTION - SAC-AMYRNET-A-ELL-HD

PART #	ITEM #	DESCRIPTION	EFFECTIVE
1	D50917	RNET SINGLE ACTUATOR CONTROLLER - 1 ACT	2008-05-28
2	1000788	CABLE, ISM-MOLEX, 48 INCH	2019-01-30
3	1000835	CABLE, EBX-MOLEX FOR ELEVATE BARIATRIC, 1676MM (66 INCH)	2019-02-12
4	1000669	CABLE, E-BX-ISM, ELEVATE, FEMALE-FEMALE, 70 INCH	2018-11-09
5	D00242	INHIBIT ADAPTER SPLITER CABLE	2016-03-11
6	D00118	INHIBIT JUMPER CABLE	2012-11-26
7	D00202	Y CABLE, FOR LINKING TWO LEGREST ACTUATORS	2008-04-30
1,2,4-7	S-0238	*KIT - SINGLE ACTUATOR CONTROLLER RNET	2020-02-10



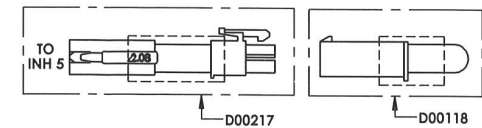
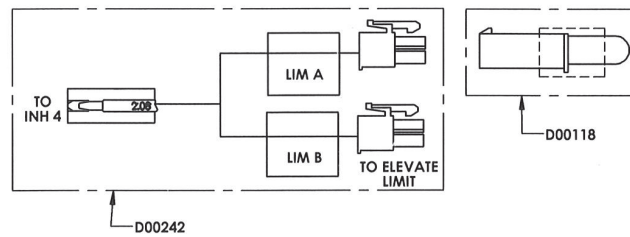
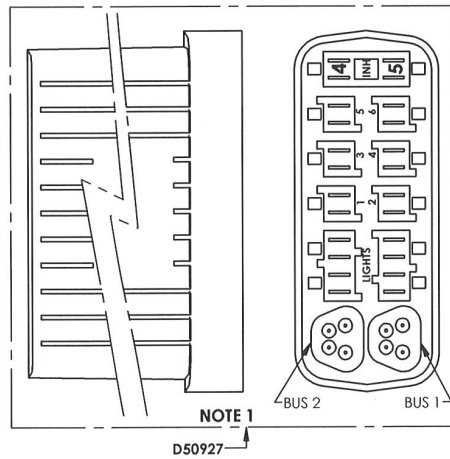
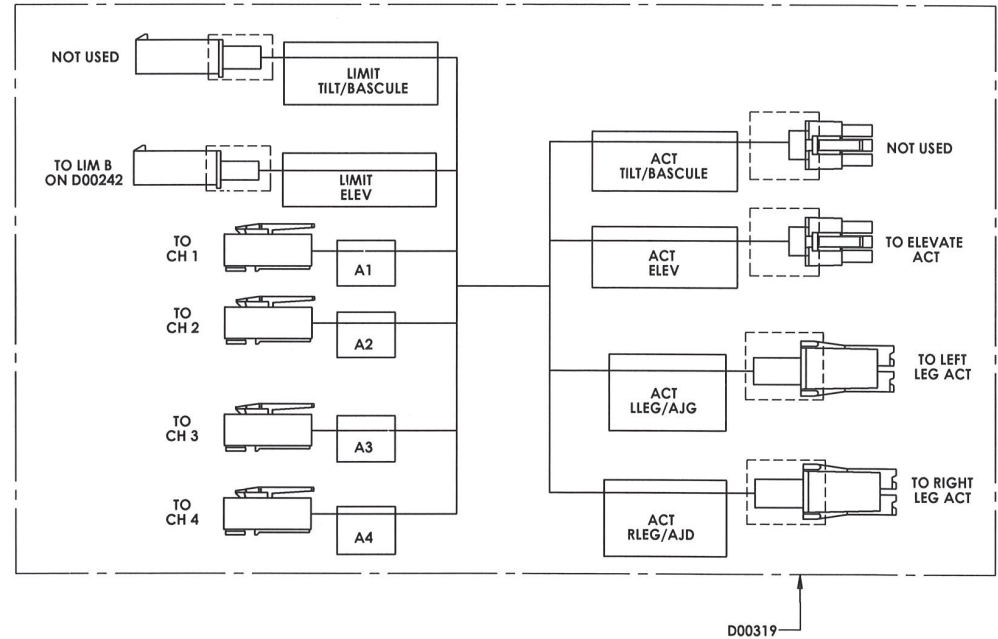
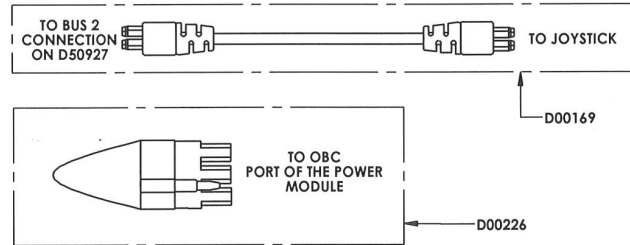
* Connected and attached in the backrest



Cables from the legs actuators

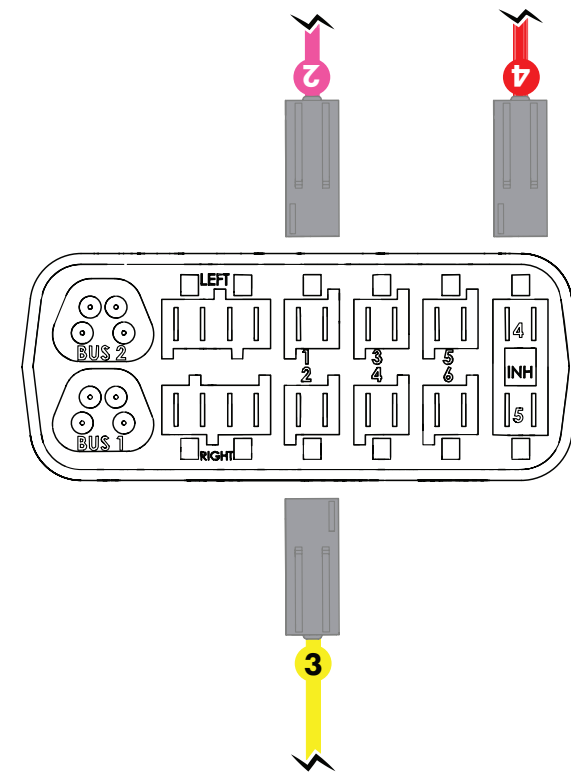
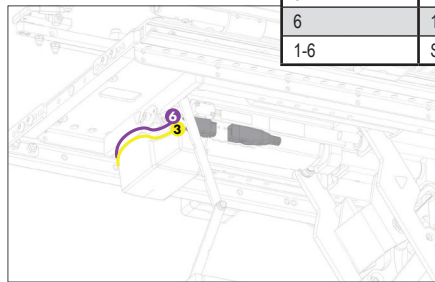
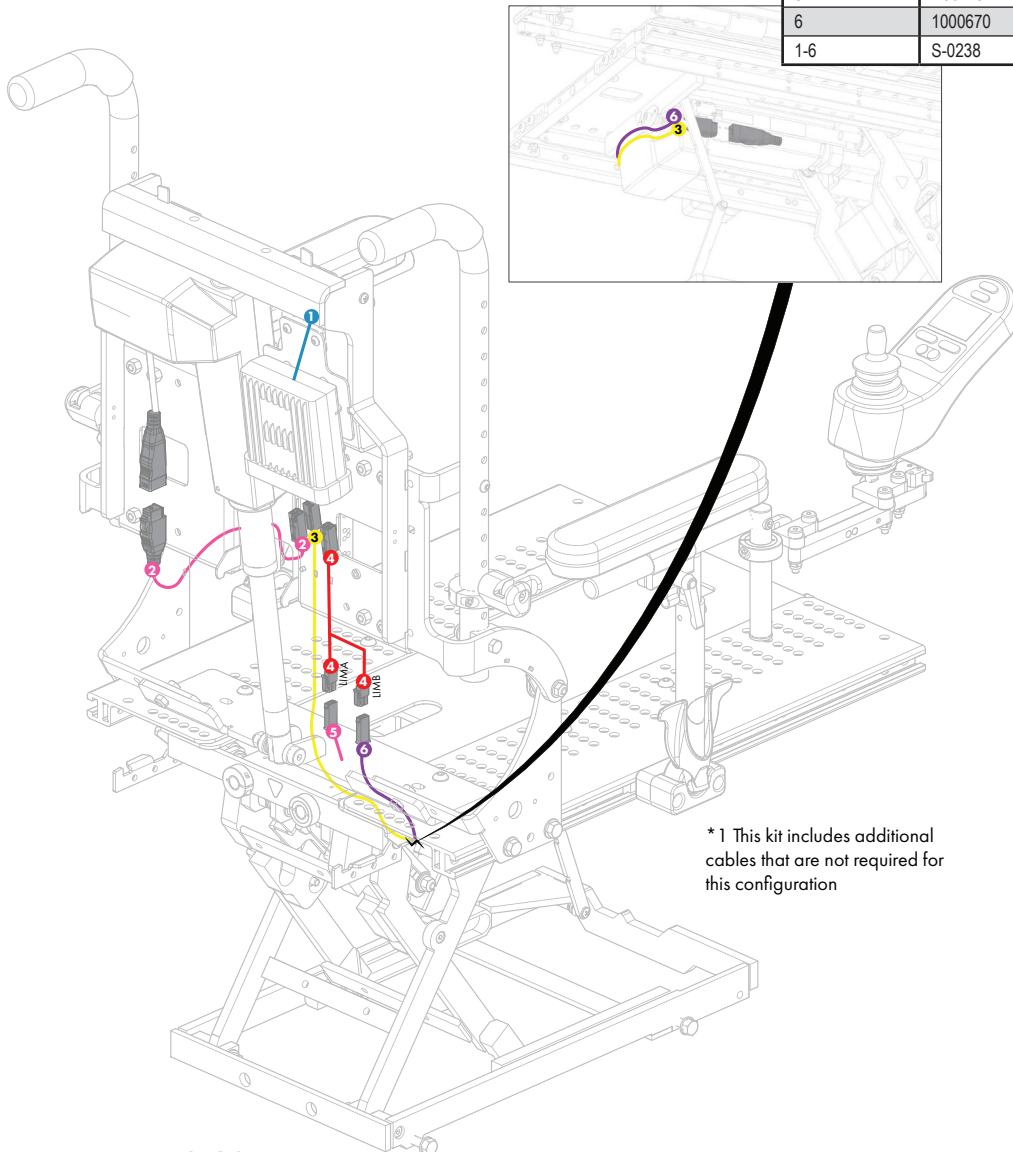
* 1 This kit includes additional cables that are not required for this configuration

LEFT AND RIGHT LEG ELEVATE - RNET		
PART #	DESCRIPTION	EFFECTIVE
EF14-0029	MULTIPLE POWER OPT - LEFT AND RIGHT LEG ELEVATE - RNET	



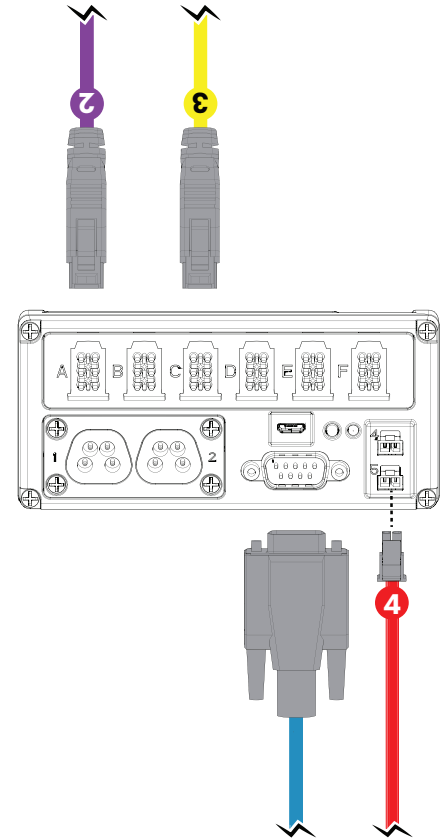
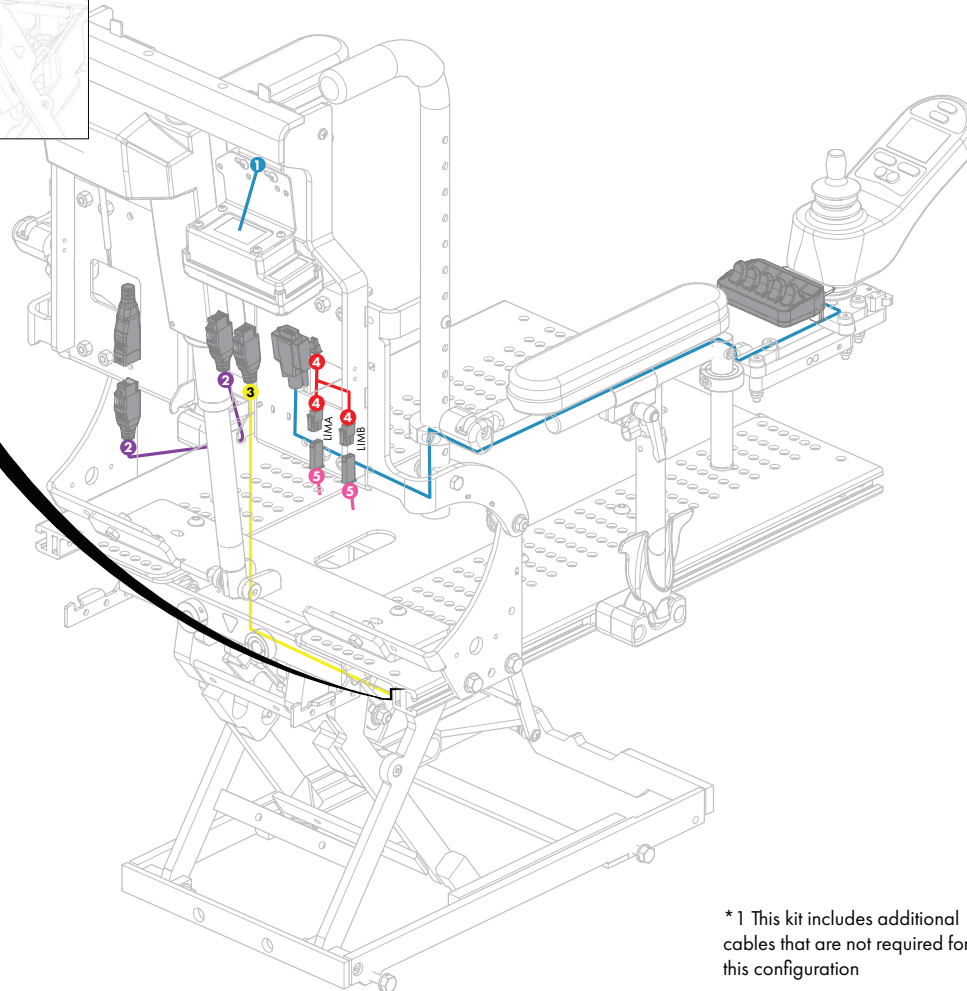
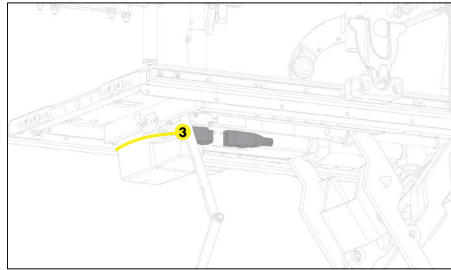
POWER SEAT FUNCTION - SAC-AMYRNET-A-RE

PART #	ITEM #	DESCRIPTION	EFFECTIVE
1	D50917	RNET SINGLE ACTUATOR CONTROLLER - 1 ACT	2008-05-28
2	1000667	CABLE, E-BX-ISM, RECLINE, FEMALE-FEMALE, 14 INCH	2020-02-27
3	1000669	CABLE, E-BX-ISM, ELEVATE, FEMALE-FEMALE, 70 INCH	2018-11-09
4	D00242	INHIBIT ADAPTER SPLITTER CABLE	2016-03-11
5	D00118	INHIBIT JUMPER CABLE	2012-11-26
6	1000670	MECHANICAL LIMIT SWITCH WITH 64IN CABLE	2018-11-09
1-6	S-0238	*KIT - SINGLE ACTUATOR CONTROLLER RNET	2020-02-10



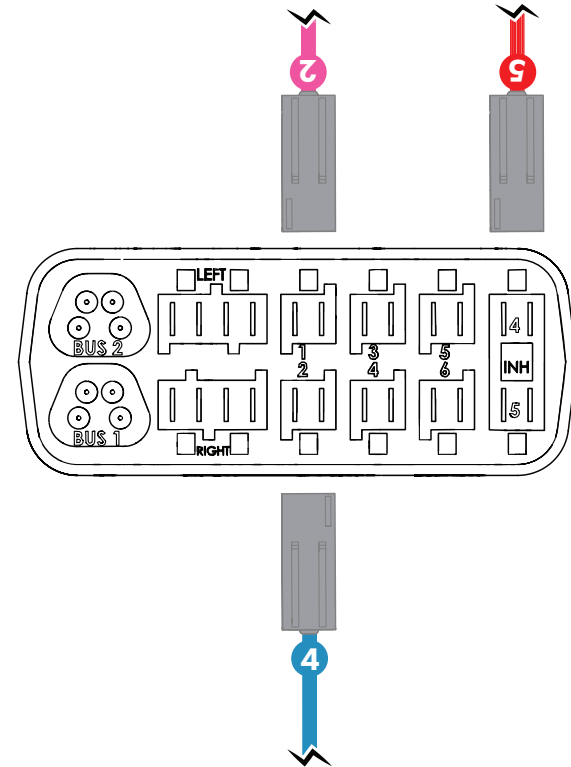
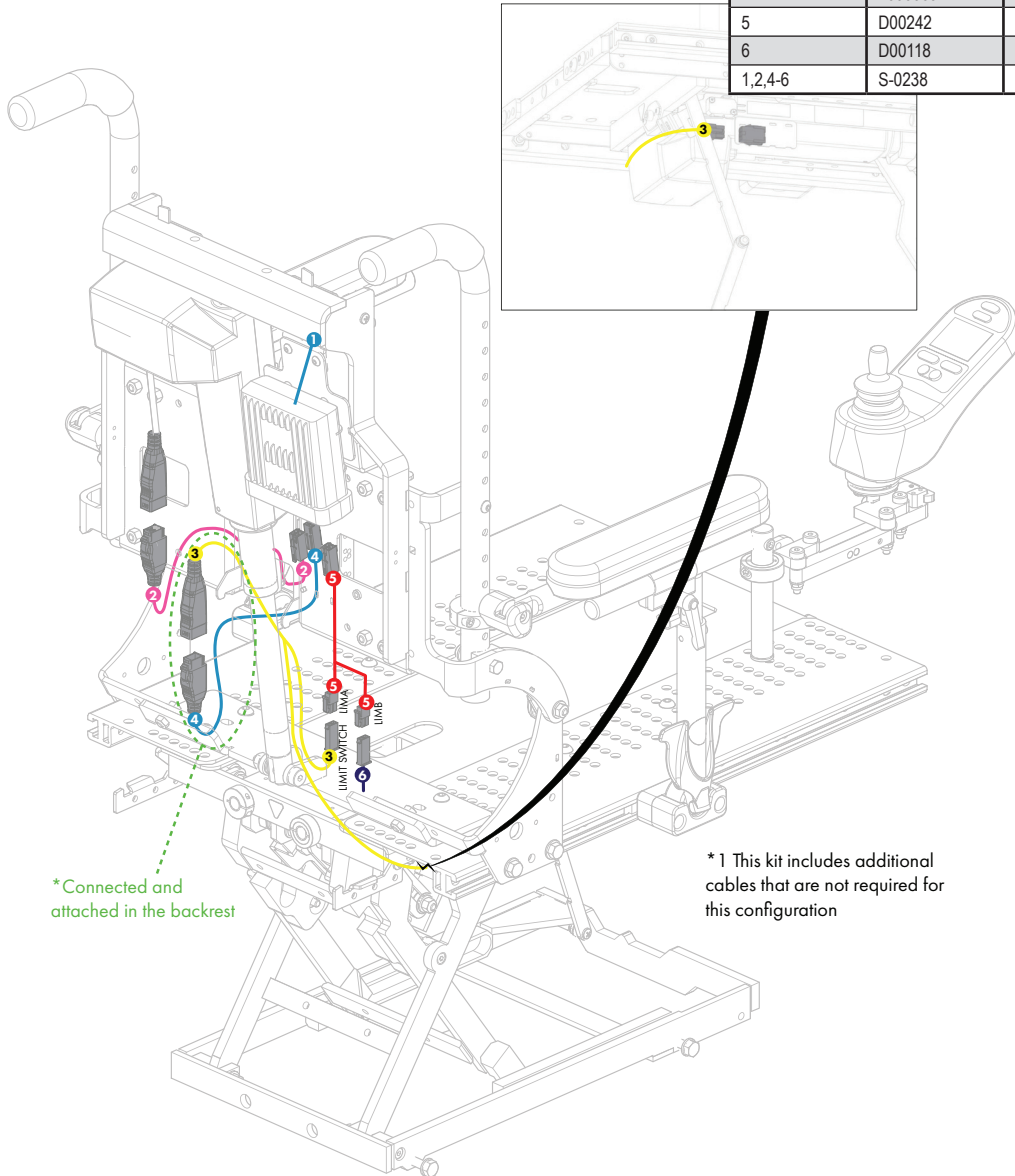
* 1 This kit includes additional cables that are not required for this configuration

POWER SEAT FUNCTION - SAC-A-RE-EBX			
PART #	ITEM #	DESCRIPTION	EFFECTIVE
1	1000004	E-BX MULTIPLE ACTUATOR CONTROLLER RNET	2020-02-06
2	1000453	IQ ACTUATOR CABLE, E-BX, 355MM (14IN)	2019-06-30
3	1000455	IQ ACTUATOR CABLE, E-BX, 1778MM (70IN)	2019-04-11
4	1000040	CABLE ADAPTOR INH E-BX	2017-09-28
5	D00118	INHIBIT JUMPER CABLE	2012-11-26
1-5	S-0241	*KIT - SINGLE ACTUATOR CONTROLLER E-BX	2020-02-10



* 1 This kit includes additional cables that are not required for this configuration

POWER SEAT FUNCTION - SAC-AMYRNET-A-RE-HD			
PART #	ITEM #	DESCRIPTION	EFFECTIVE
1	D50917	RNET SINGLE ACTUATOR CONTROLLER - 1 ACT	2008-05-28
2	1000667	CABLE, E-BX-ISM, RECLINE, FEMALE-FEMALE, 14 INCH	2020-02-27
3	1000835	CABLE, EBX-MOLEX FOR ELEVATE BARIATRIC, 1676MM (66 INCH)	2019-02-12
4	1000669	CABLE, E-BX-ISM, ELEVATE, FEMALE-FEMALE, 70 INCH	2018-11-09
5	D00242	INHIBIT ADAPTER SPLITTER CABLE	2016-03-11
6	D00118	INHIBIT JUMPER CABLE	2012-11-26
1,2,4-6	S-0238	*KIT - SINGLE ACTUATOR CONTROLLER RNET	2020-02-10

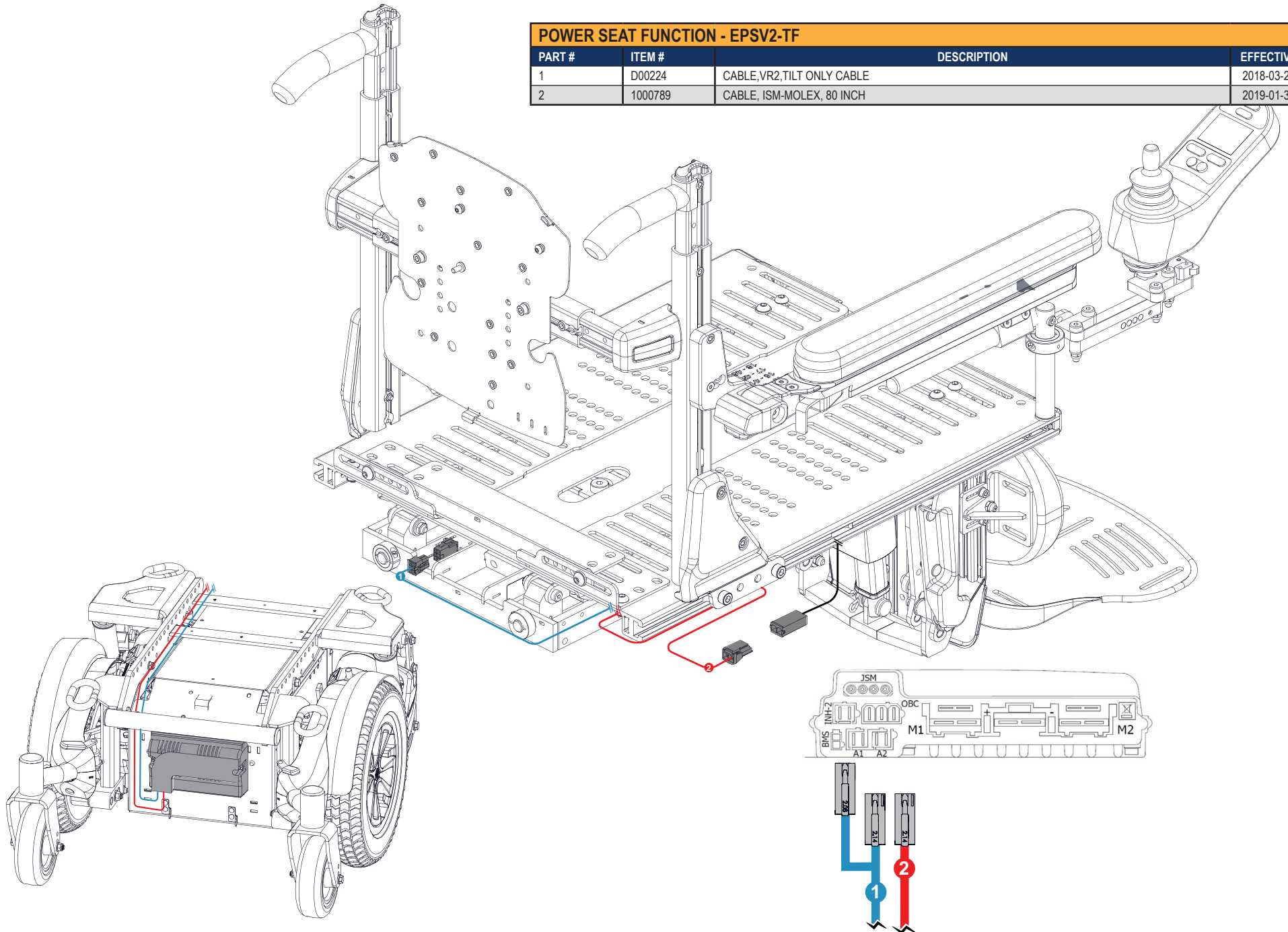


* Connected and attached in the backrest

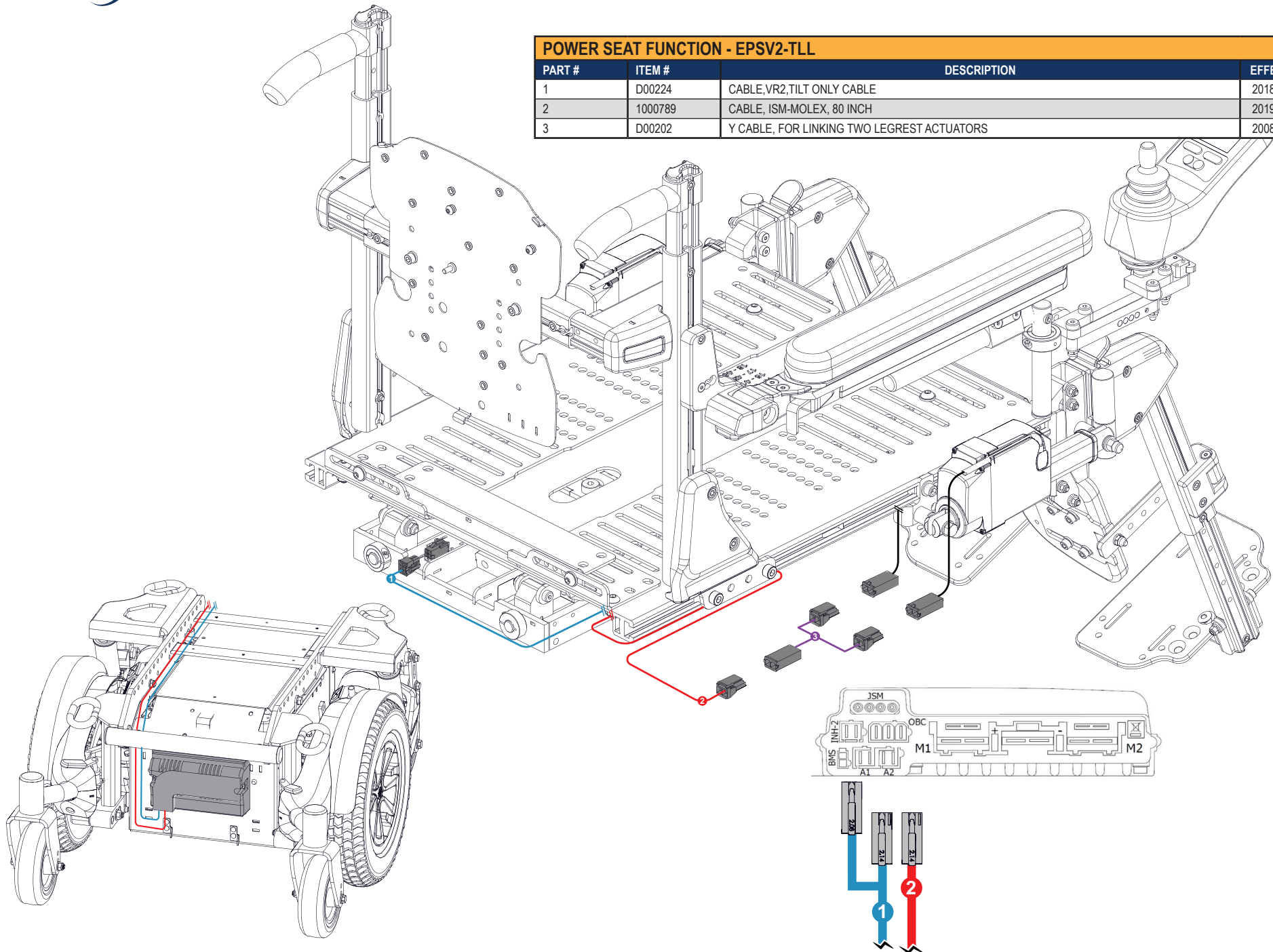
* 1 This kit includes additional cables that are not required for this configuration

POWER SEAT FUNCTION - EPSV2-TF

PART #	ITEM #	DESCRIPTION	EFFECTIVE
1	D00224	CABLE, VR2, TILT ONLY CABLE	2018-03-22
2	1000789	CABLE, ISM-MOLEX, 80 INCH	2019-01-30



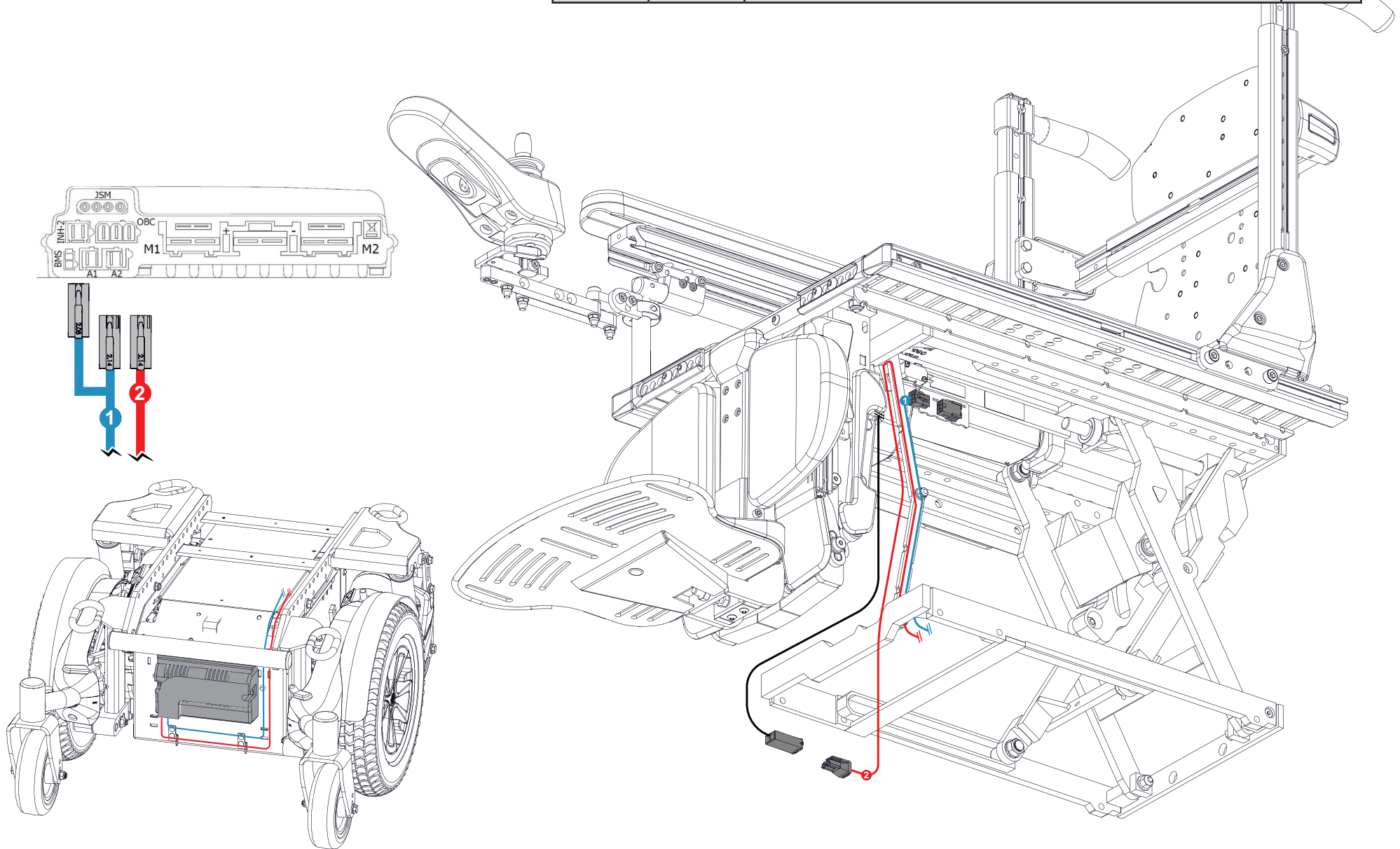
POWER SEAT FUNCTION - EPSV2-TLL			
PART #	ITEM #	DESCRIPTION	EFFECTIVE
1	D00224	CABLE, VR2, TILT ONLY CABLE	2018-03-22
2	1000789	CABLE, ISM-MOLEX, 80 INCH	2019-01-30
3	D00202	Y CABLE, FOR LINKING TWO LEGREST ACTUATORS	2008-04-30



7.2.1.2

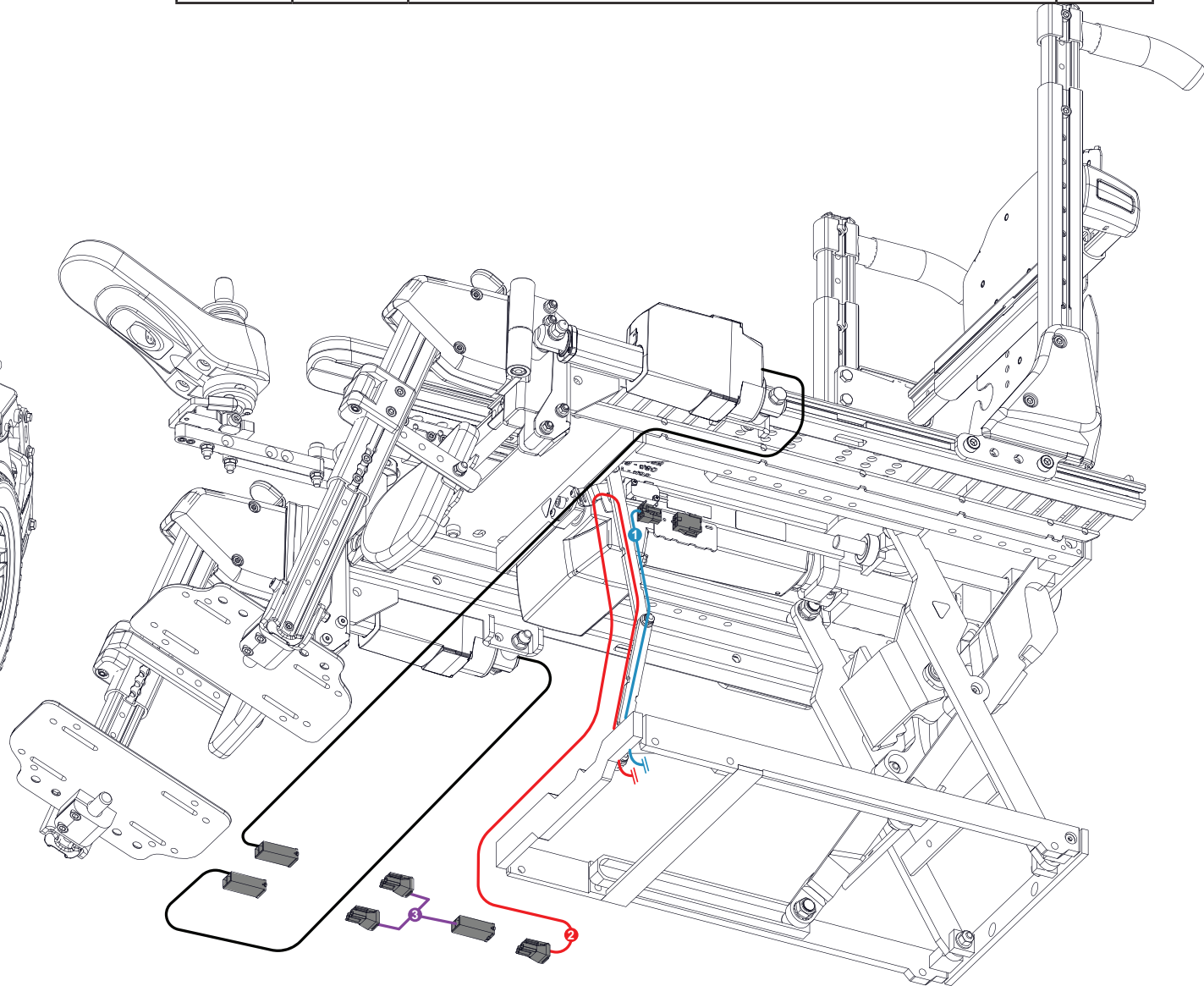
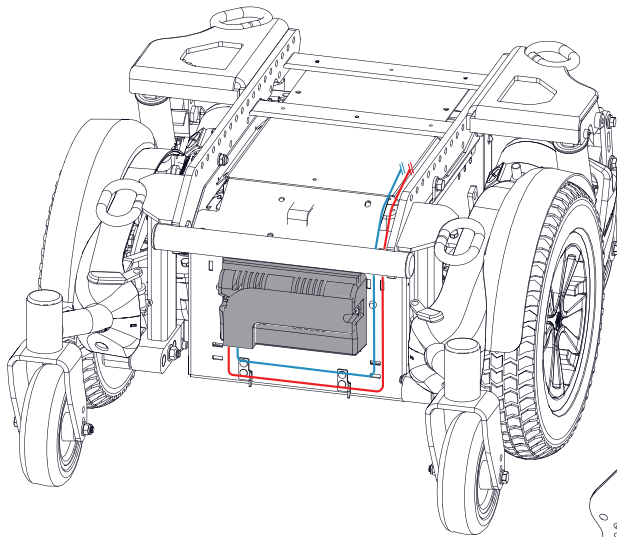
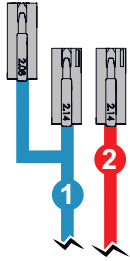
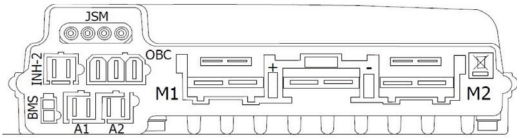
POWER SEAT FUNCTION - EPSV2-EF / EPSV-EF

PART #	ITEM #	DESCRIPTION	EFFECTIVE
1	D00225	CABLE, VR2, ELEVATE ONLY	2018-03-23
2	1002456	CABLE, ISM-MOLEX, 88 INCH	2021-02-16

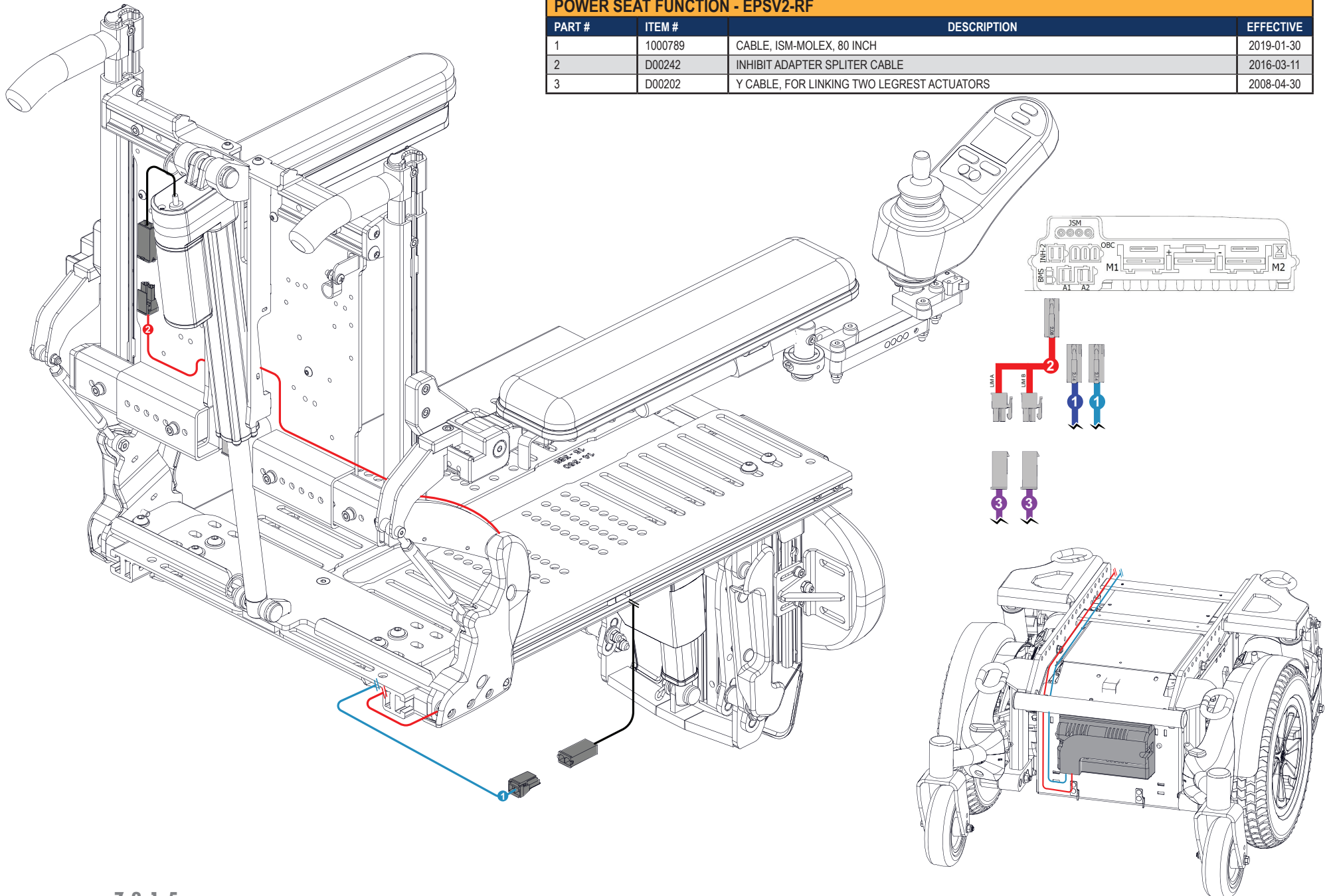


POWER SEAT FUNCTION - EPSV2-ELL / EPSV-ELL

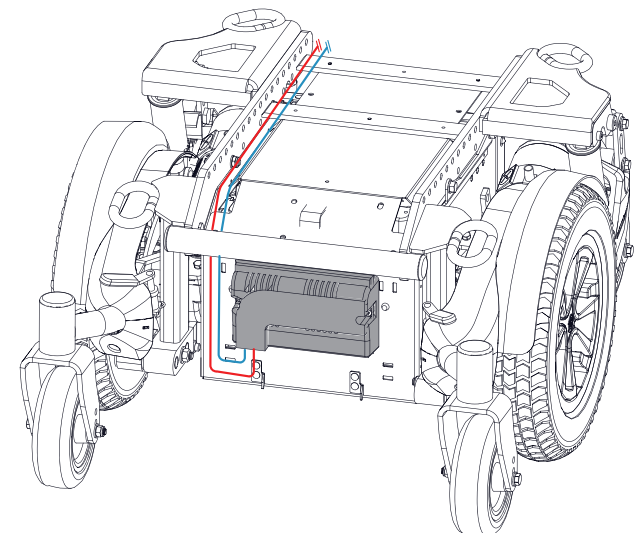
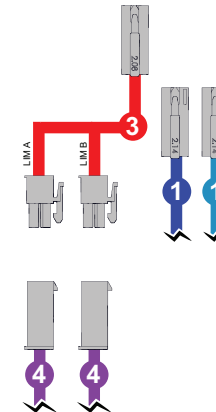
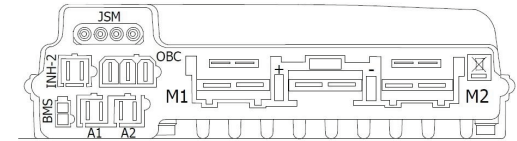
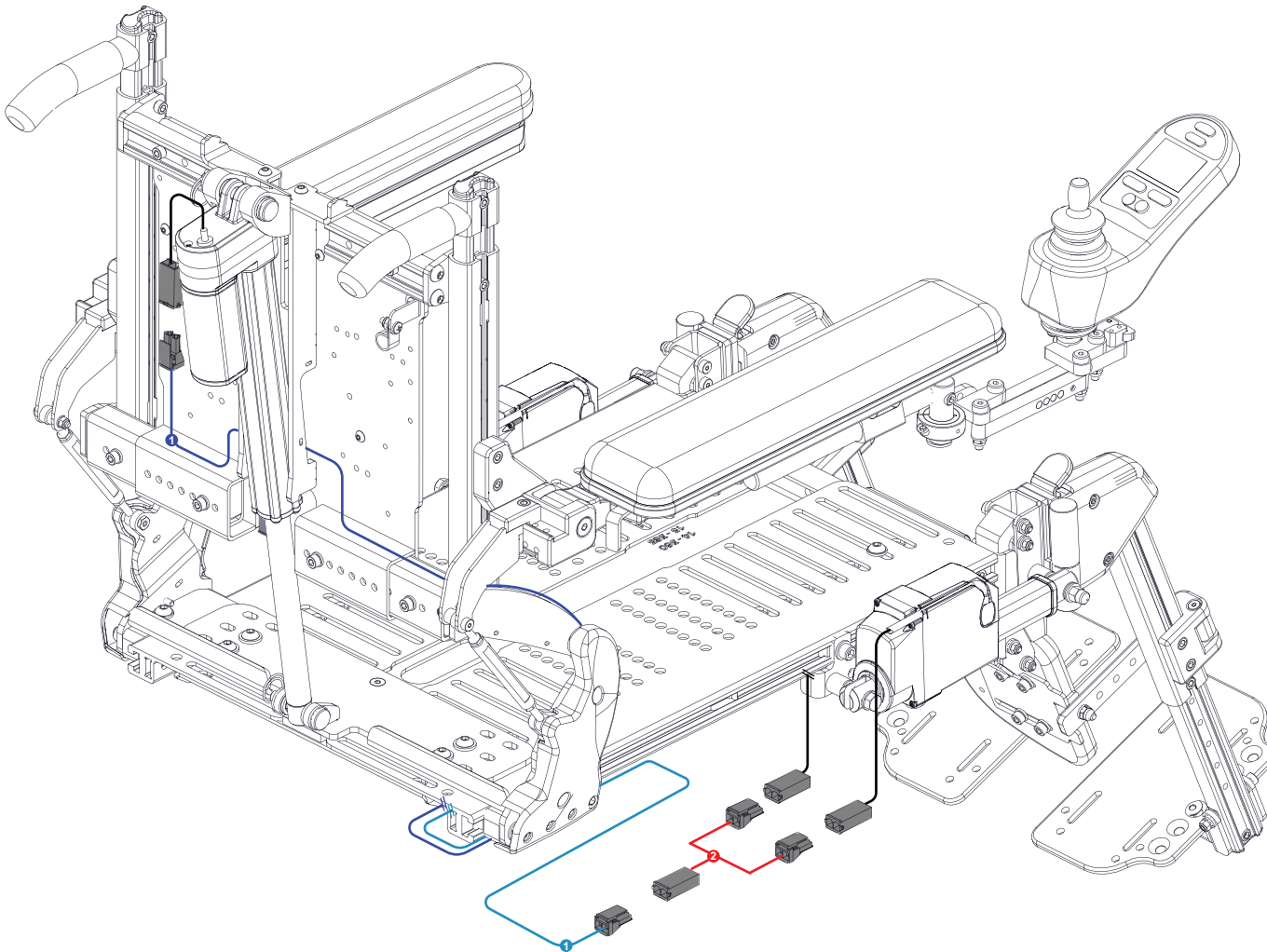
PART #	ITEM #	DESCRIPTION	EFFECTIVE
1	D00225	CABLE, VR2, ELEVATE ONLY	2018-03-23
2	1002456	CABLE, ISM-MOLEX, 88 INCH	2021-02-16
3	D00202	Y CABLE, FOR LINKING TWO LEGREST ACTUATORS	2008-04-30



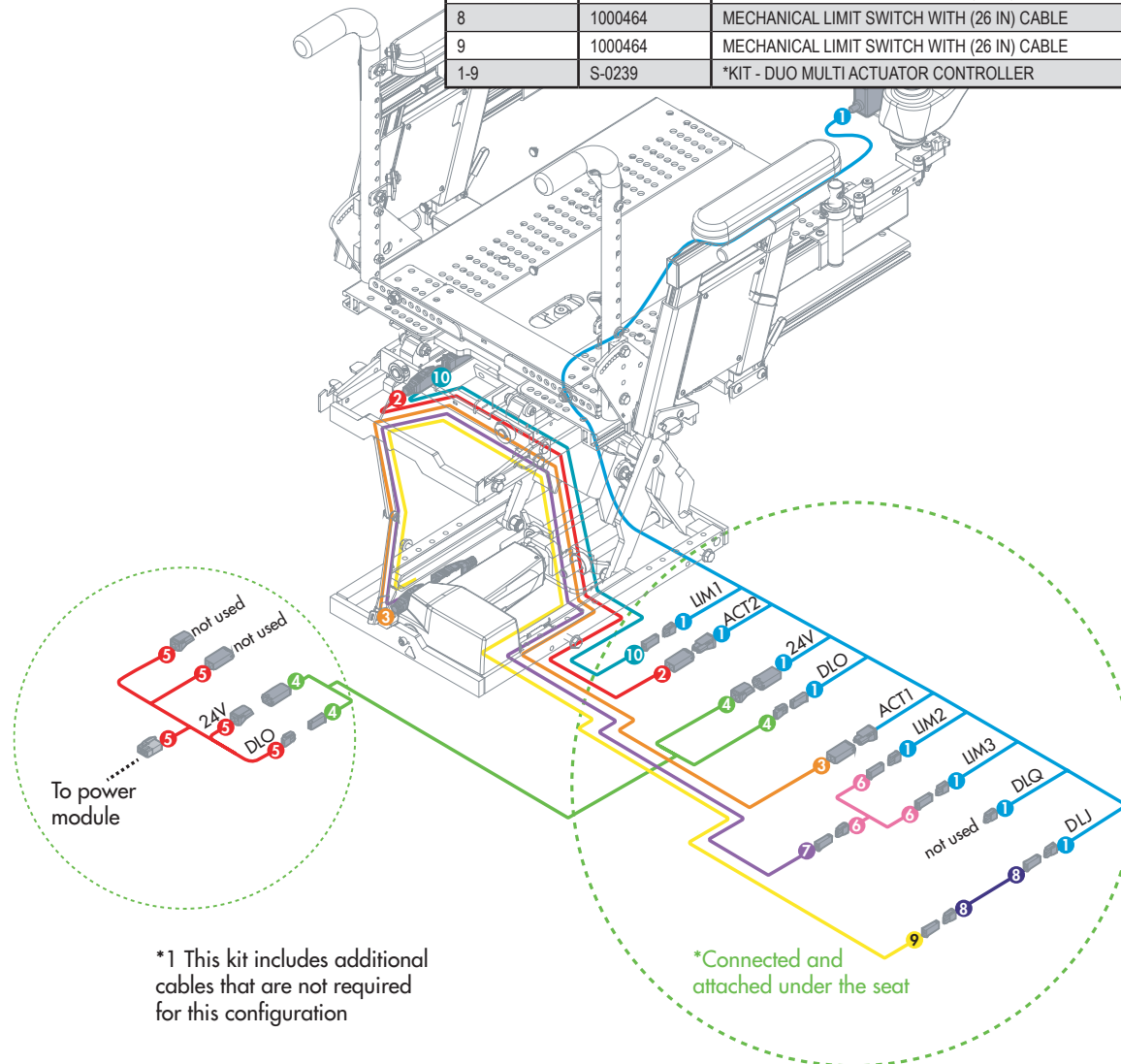
POWER SEAT FUNCTION - EPSV2-RF			
PART #	ITEM #	DESCRIPTION	EFFECTIVE
1	1000789	CABLE, ISM-MOLEX, 80 INCH	2019-01-30
2	D00242	INHIBIT ADAPTER SPLITTER CABLE	2016-03-11
3	D00202	Y CABLE, FOR LINKING TWO LEGREST ACTUATORS	2008-04-30



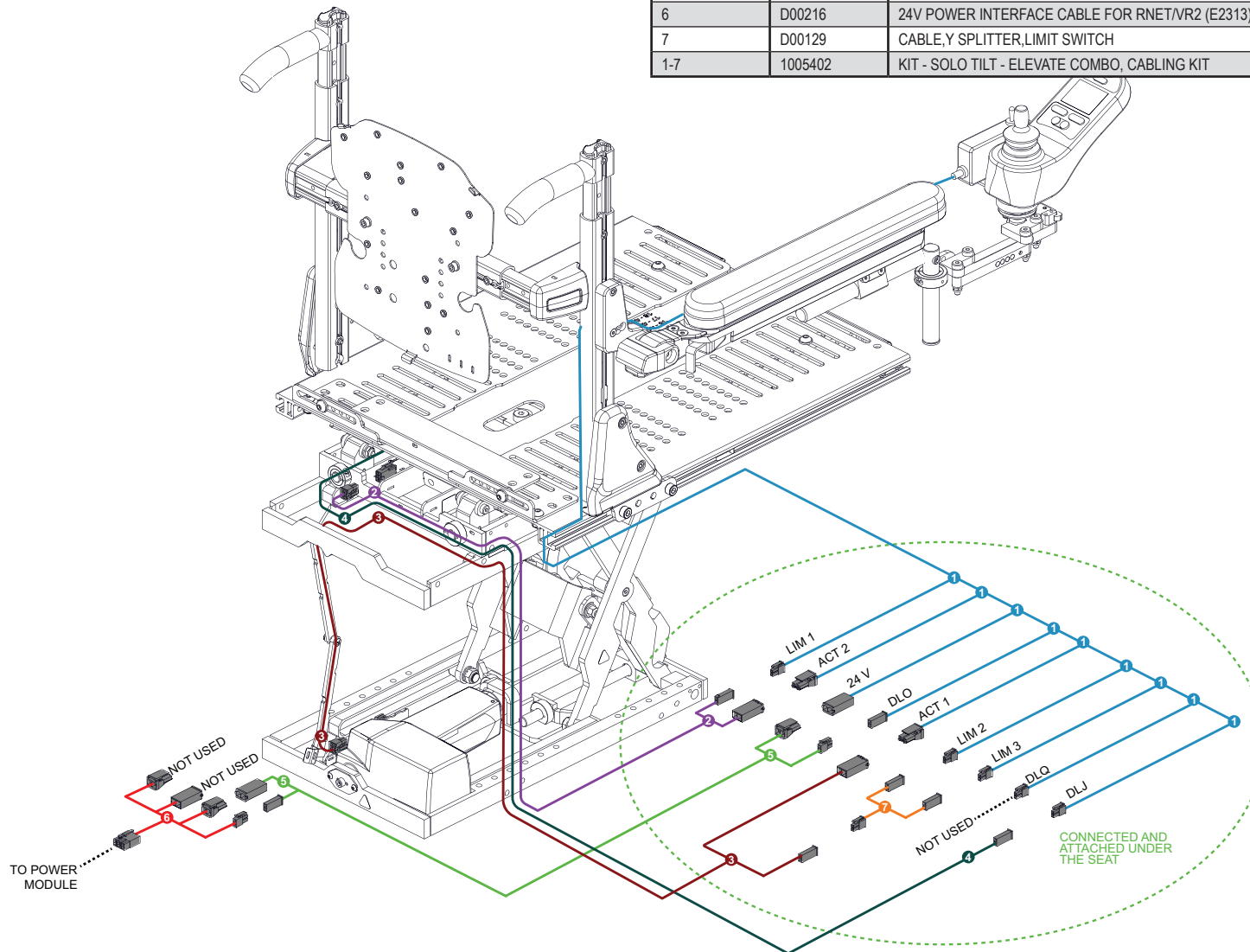
POWER SEAT FUNCTION - EPSV2-RLL			
PART #	ITEM #	DESCRIPTION	EFFECTIVE
1	1000789	CABLE, ISM-MOLEX, 80 INCH	2019-01-30
2	D00202	Y CABLE, FOR LINKING TWO LEGREST ACTUATORS	2008-04-30
3	D00242	INHIBIT ADAPTER SPLITTER CABLE	2016-03-11
4	D00118	INHIBIT JUMPER CABLE	2012-11-26



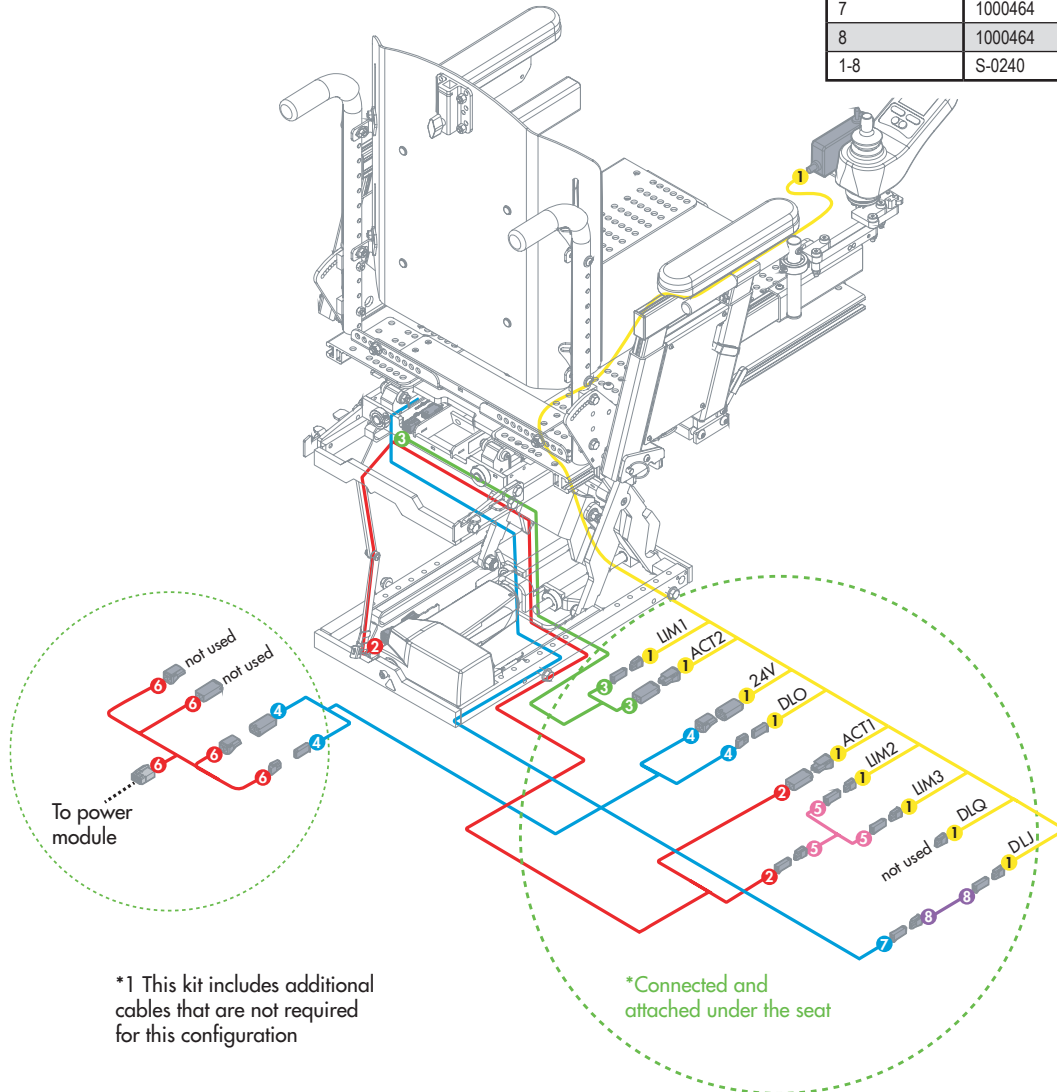
POWER SEAT FUNCTION - SOLO-A-TE			
PART #	ITEM #	DESCRIPTION	EFFECTIVE
1	D00201	DUO DUAL ACTUATOR CONTROLLER	2008-04-30
2	1000782	CABLE, E-BX-MOLEX, (26 IN)	2019-01-24
3	1000790	CABLE, E-BX-MOLEX, (37 IN)	2019-01-30
4	D00200	EXTENSION 24V / DLO (24 IN)	2018-03-22
5	D00216	24V POWER INTERFACE CABLE FOR R-NET / VR2	2018-03-22
6	D00129	CABLE, Y SPLITTER, LIMIT SWITCH	2008-04-30
7	1000673	MECHANICAL LIMIT SWITCH WITH (42 IN) CABLE	2018-11-09
8	1000464	MECHANICAL LIMIT SWITCH WITH (26 IN) CABLE	2018-05-03
9	1000464	MECHANICAL LIMIT SWITCH WITH (26 IN) CABLE	2018-05-03
1-9	S-0239	*KIT - DUO MULTI ACTUATOR CONTROLLER	2020-02-10



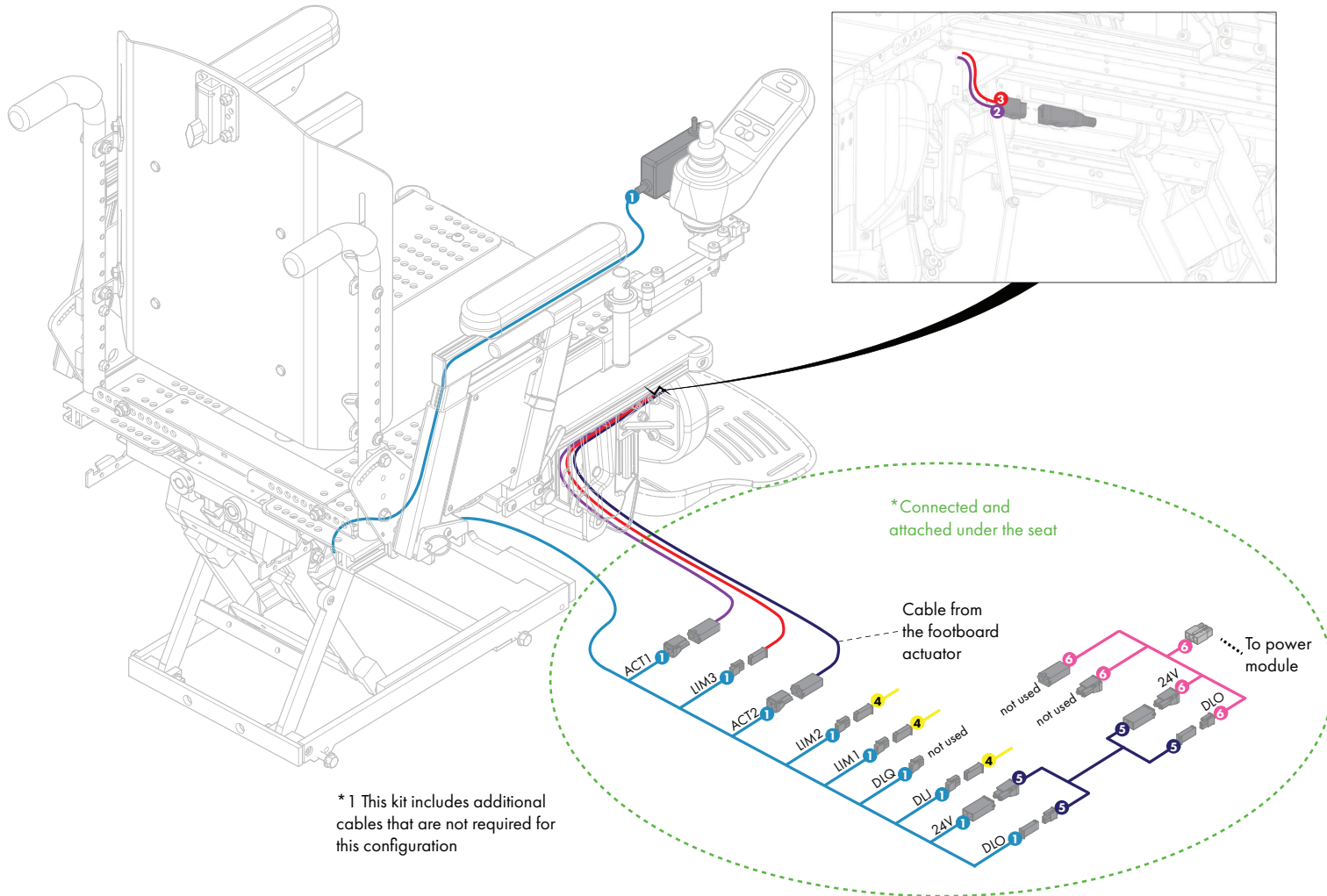
POWER SEAT FUNCTION - SOLO-TE			
PART #	ITEM #	DESCRIPTION	EFFECTIVE
1	D00201	DUO DUAL ACTUATOR CONTROLLER	2008-04-30
2	D00197	CABLE, TILT, 26 IN	2019-01-24
3	D00198	CABLE, ELEVATE, 37 IN	2019-01-30
4	1000464	MECHANICAL LIMIT SWITCH WITH 26IN CABLE	2018-03-22
5	D00200	EXTENSION,24V/DLO,44 IN	2018-03-22
6	D00216	24V POWER INTERFACE CABLE FOR RNET/VR2 (E2313)	2008-04-30
7	D00129	CABLE,Y SPLITTER,LIMIT SWITCH	2018-11-09
1-7	1005402	KIT - SOLO TILT - ELEVATE COMBO, CABLING KIT	2020-02-10



POWER SEAT FUNCTION - SOLO-A-TE-HD			
PART #	ITEM #	DESCRIPTION	EFFECTIVE
1	D00201	DUO DUAL ACTUATOR CONTROLLER	2008-04-30
2	D00198	CABLE, ELEVATE W/R00032 (37 IN)	2008-10-24
3	1000782	CABLE, E-BX-MOLEX, (26 IN)	2019-01-24
4	D00200	EXTENSION, 24V / DLO, (44 IN)	2018-03-22
5	D00129	CABLE, Y SPLITTER, LIMIT SWITCH	2008-04-30
6	D00216	24V POWER INTERFACE CABLE FOR R-NET / VR2	2018-03-22
7	1000464	MECHANICAL LIMIT SWITCH WITH 26 IN CABLE	2018-05-03
8	1000464	MECHANICAL LIMIT SWITCH WITH 26 IN CABLE	2018-05-03
1-8	S-0240	*KIT - DUO MULTI ACTUATOR CONTROLLER	2020-02-10

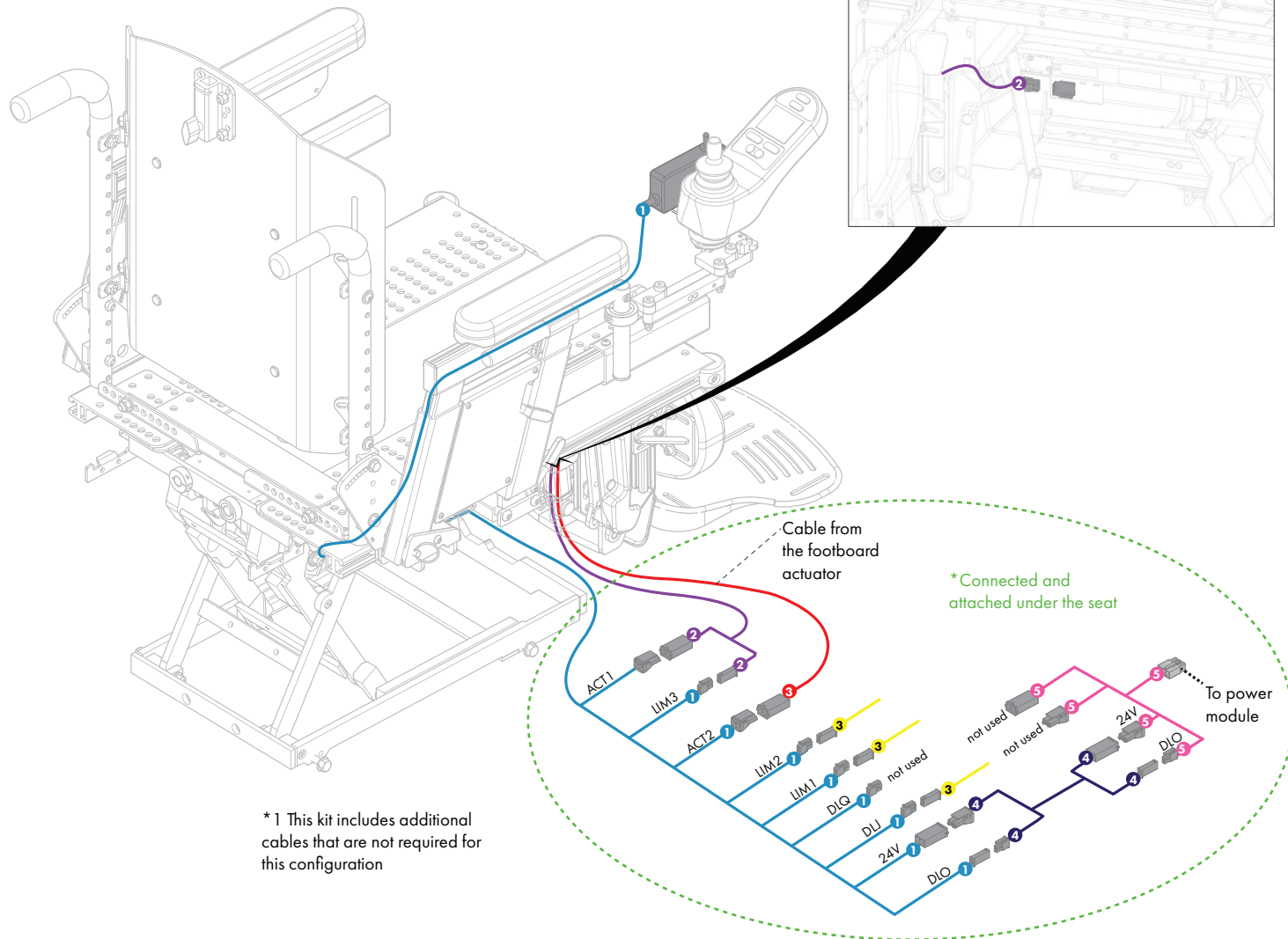


POWER SEAT FUNCTION - SOLO-A-EF			
PART #	ITEM #	DESCRIPTION	EFFECTIVE
1	D00201	DUO DUAL ACTUATOR CONTROLLER	2008-04-30
2	1000790	CABLE, E-BX-MOLEX, 37 INCH	2019-01-30
3	1000464	MECHANICAL LIMIT SWITCH WITH 26IN CABLE	2018-05-03
4	D00118	INHIBIT JUMPER CABLE	2012-11-26
5	D00178	EXTENSION,24V/DLO,24 IN	2018-03-22
6	D00216	24V POWER INTERFACE CABLE FOR RNET/VR2	2018-03-22
1-6	S-0239	*KIT - DUO MULTI ACTUATOR CONTROLLER	2020-02-10



*1 This kit includes additional cables that are not required for this configuration

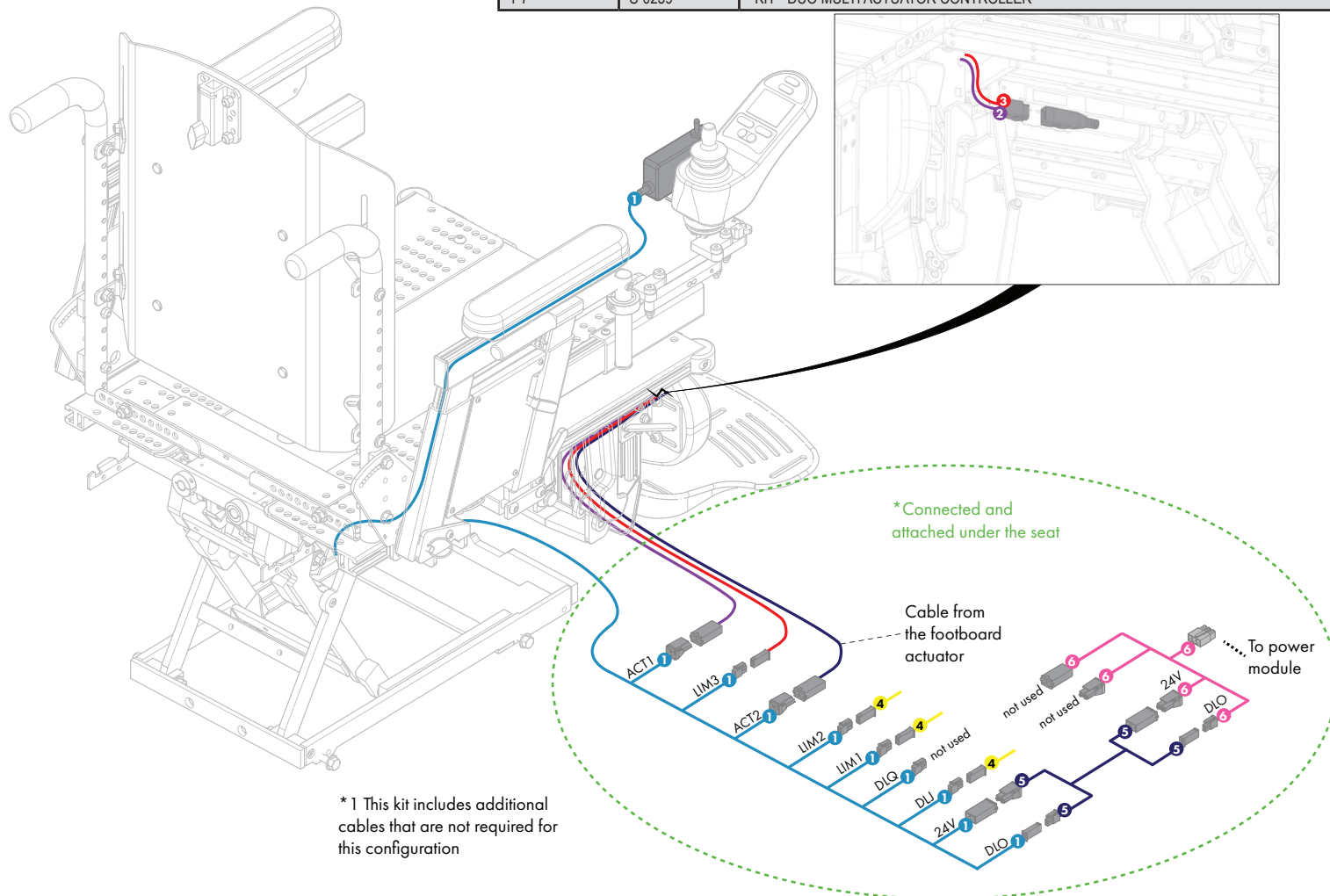
POWER SEAT FUNCTION - SOLO-A-EF-HD			
PART #	ITEM #	DESCRIPTION	EFFECTIVE
1	D00201	DUO DUAL ACTUATOR CONTROLLER	2008-04-30
2	D00198	CABLE,ELEVATE,37 IN	2008-10-24
3	D00118	INHIBIT JUMPER CABLE	2012-11-26
4	D00178	EXTENSION,24V/DLO,24 IN	2018-03-22
5	D00216	24V POWER INTERFACE CABLE FOR RNET/VR2	2018-03-22
1-5	S-0240	*KIT - DUO MULTI. ACT. CONTROLLER VHD	2020-02-10



* 1 This kit includes additional cables that are not required for this configuration

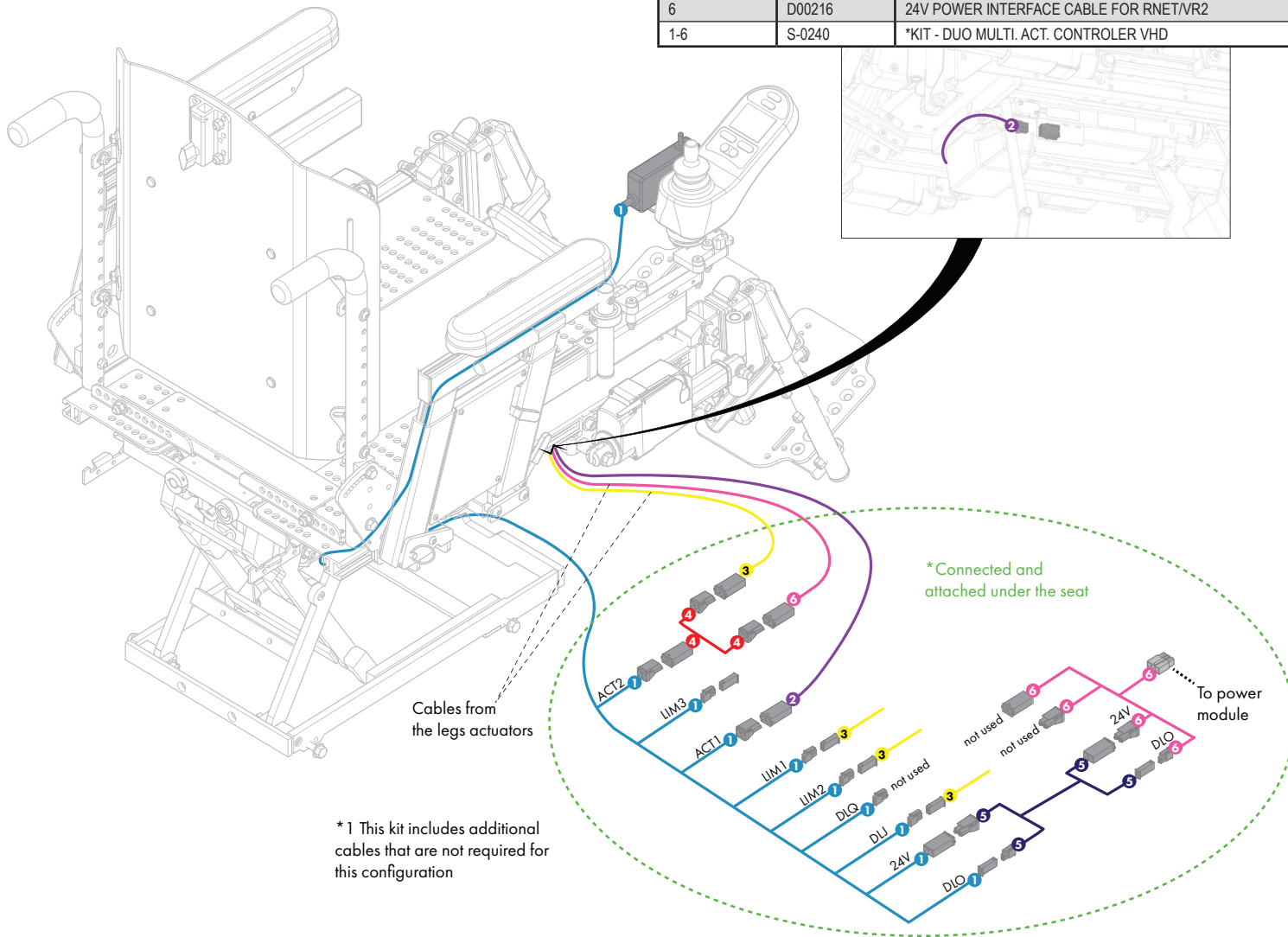
POWER SEAT FUNCTION - SOLO-A-ELL

PART #	ITEM #	DESCRIPTION	EFFECTIVE
1	D00201	DUO DUAL ACTUATOR CONTROLLER	2008-04-30
2	1000790	CABLE, E-BX-MOLEX, 37 INCH	2019-01-30
3	1000464	MECHANICAL LIMIT SWITCH WITH 26IN CABLE	2018-05-03
4	D00118	INHIBIT JUMPER CABLE	2012-11-26
5	D00178	EXTENSION,24V/DLO,24 IN	2018-03-22
6	D00216	24V POWER INTERFACE CABLE FOR RNET/VR2	2018-03-22
7	D00202	Y CABLE, FOR LINKING TWO LEGREST ACTUATORS	2008-04-30
1-7	S-0239	*KIT - DUO MULTI ACTUATOR CONTROLLER	2020-02-10



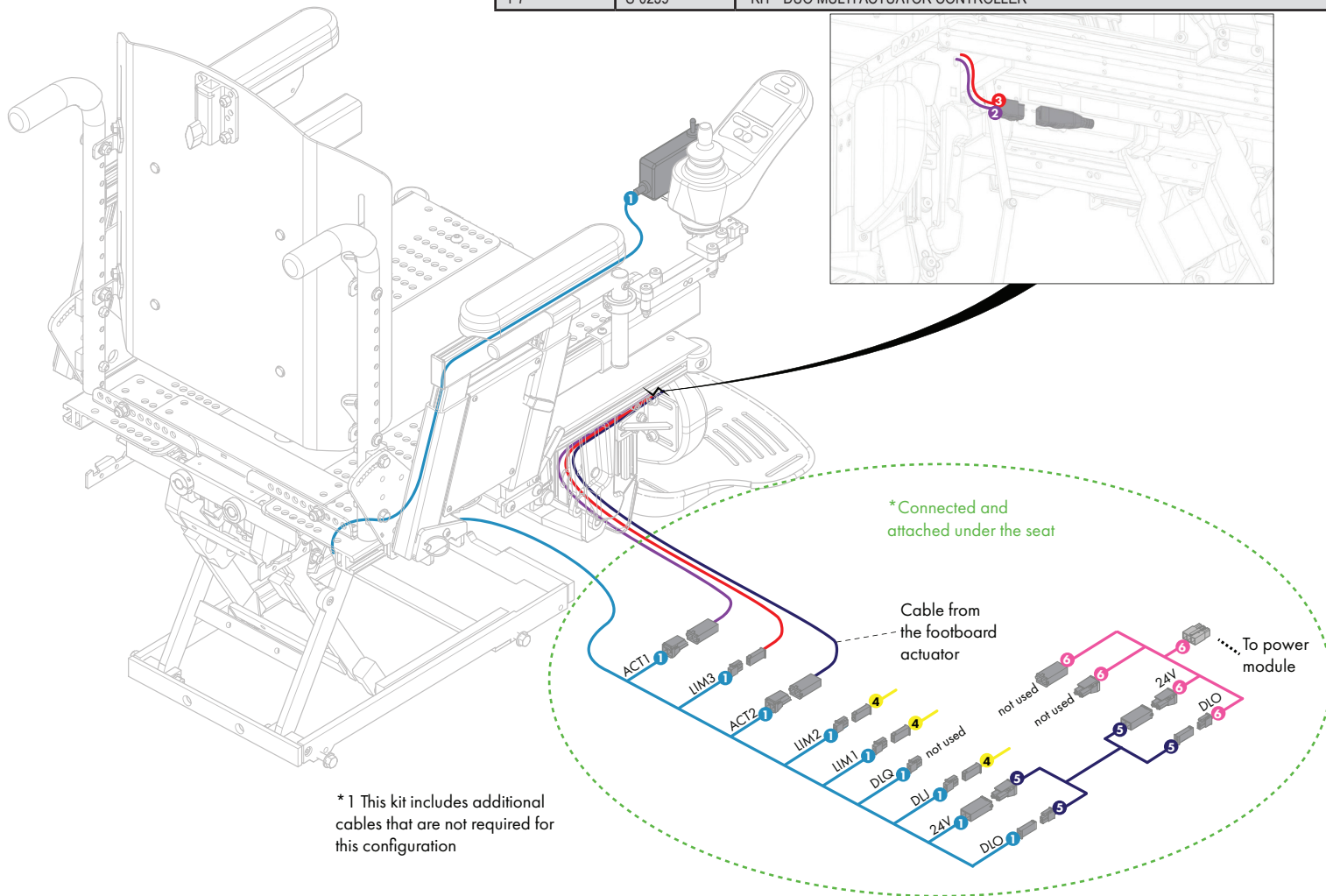
*1 This kit includes additional cables that are not required for this configuration

POWER SEAT FUNCTION - SOLO-A-ELL-HD			
PART #	ITEM #	DESCRIPTION	EFFECTIVE
1	D00201	DUO DUAL ACTUATOR CONTROLLER	2008-04-30
2	D00198	CABLE,ELEVATE,37 IN	2008-10-24
3	D00118	INHIBIT JUMPER CABLE	2012-11-26
4	D00202	Y CABLE, FOR LINKING TWO LEGREST ACTUATORS	2008-04-30
5	D00178	EXTENSION,24V/DLO,24 IN	2018-03-22
6	D00216	24V POWER INTERFACE CABLE FOR RNET/VR2	2018-03-22
1-6	S-0240	*KIT - DUO MULTI. ACT. CONTROLER VHD	2020-02-10



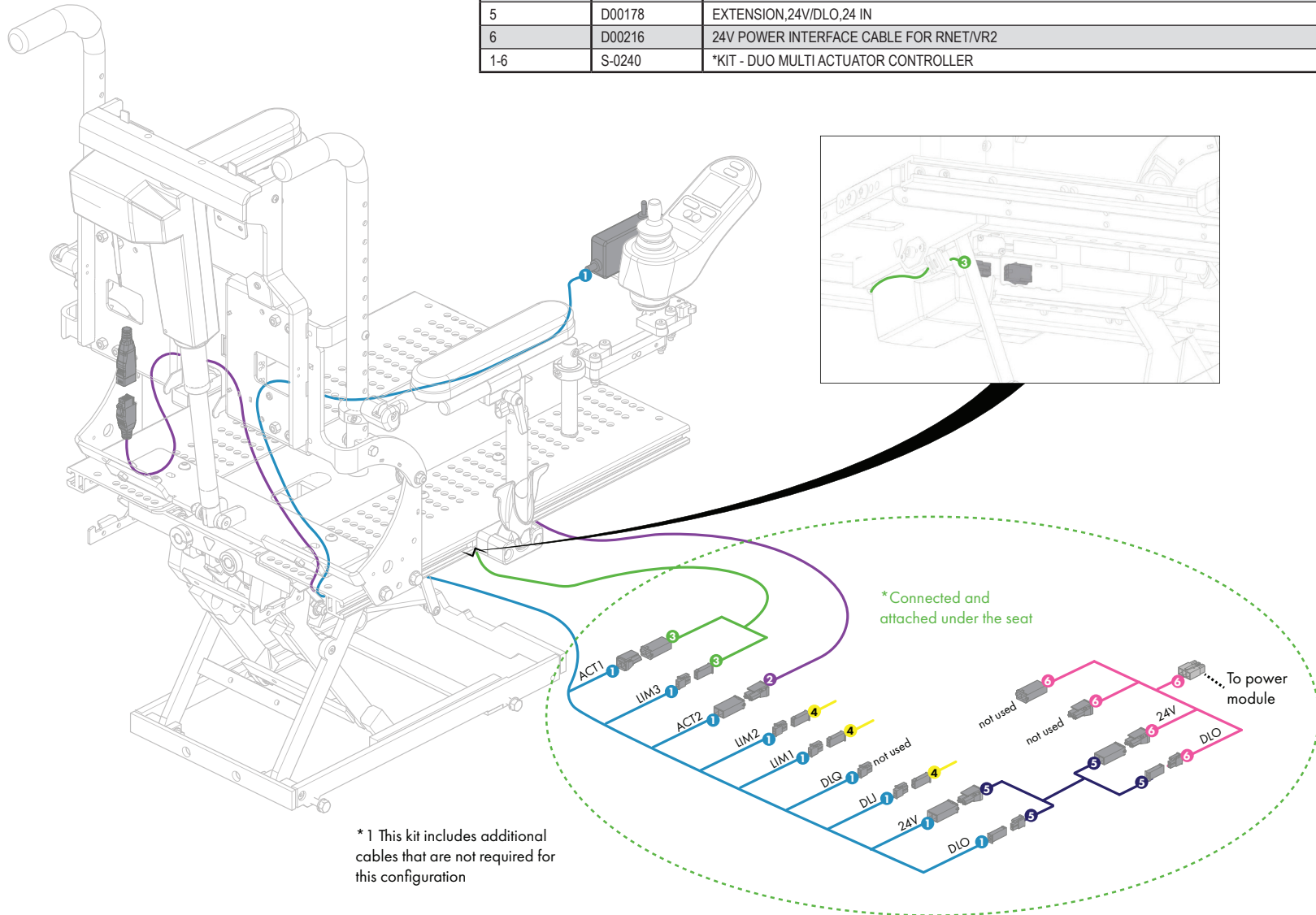
POWER SEAT FUNCTION - SOLO-A-ELL

PART #	ITEM #	DESCRIPTION	EFFECTIVE
1	D00201	DUO DUAL ACTUATOR CONTROLLER	2008-04-30
2	1000782	CABLE, E-BX-MOLEX, 26 INCH	2019-01-24
3	1000790	CABLE, E-BX-MOLEX, 37 INCH	2019-01-30
4	1000464	MECHANICAL LIMIT SWITCH WITH 26IN CABLE	2018-05-03
5	D00118	INHIBIT JUMPER CABLE	2012-11-26
6	D00178	EXTENSION,24V/DLO,24 IN	2018-03-22
7	D00216	24V POWER INTERFACE CABLE FOR RNET/VR2	2018-03-22
1-7	S-0239	*KIT - DUO MULTI ACTUATOR CONTROLLER	2020-02-10



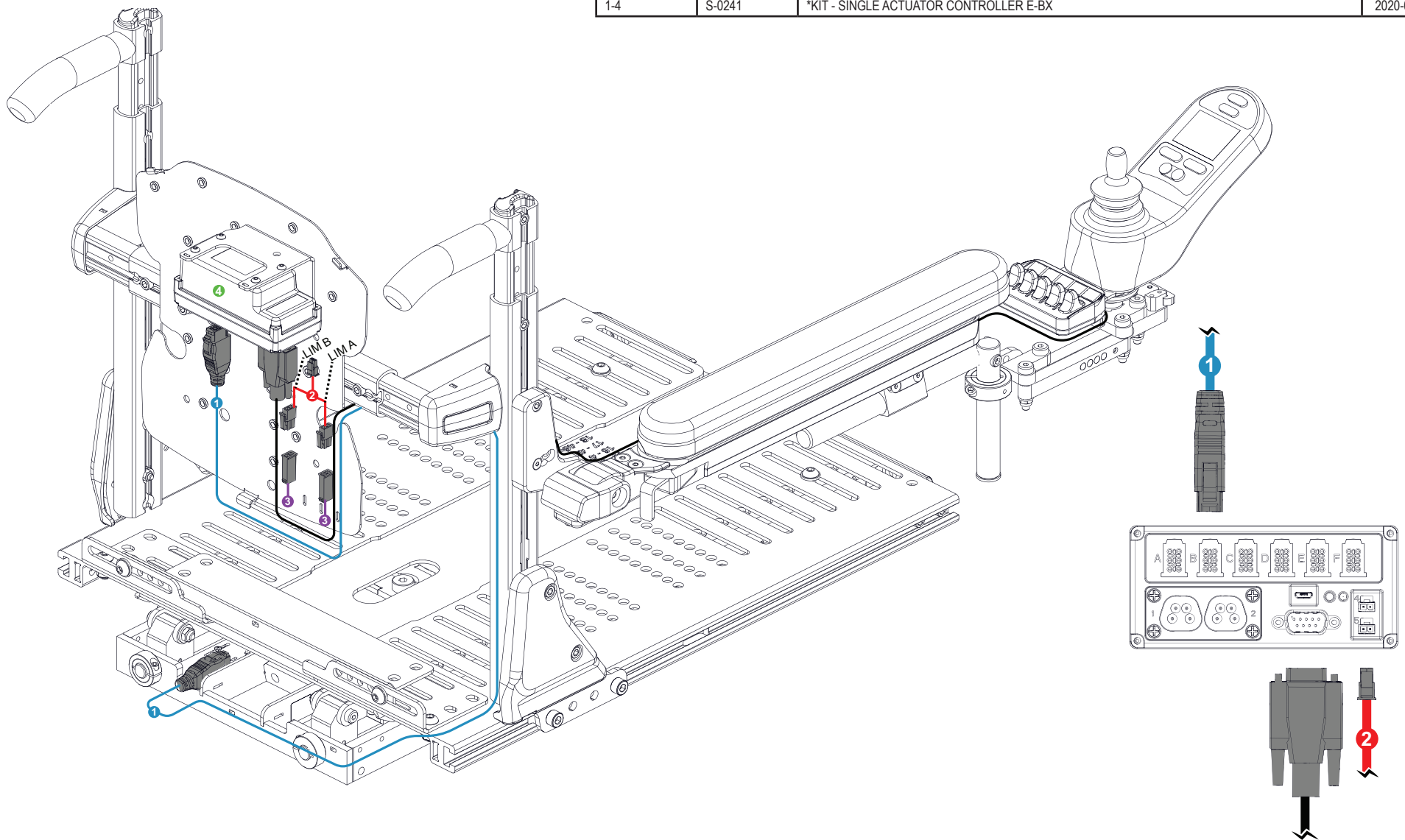
*1 This kit includes additional cables that are not required for this configuration

POWER SEAT FUNCTION - SOLO-A-RE-HD			
PART #	ITEM #	DESCRIPTION	EFFECTIVE
1	D00201	DUO DUAL ACTUATOR CONTROLLER	2008-04-30
2	1000782	CABLE, E-BX-MOLEX, 26 INCH	2019-01-24
3	D00198	CABLE,ELEVATE,37 IN	2008-10-24
4	D00118	INHIBIT JUMPER CABLE	2012-11-26
5	D00178	EXTENSION,24V/DLO,24 IN	2018-03-22
6	D00216	24V POWER INTERFACE CABLE FOR RNET/VR2	2018-03-22
1-6	S-0240	*KIT - DUO MULTI ACTUATOR CONTROLLER	2020-02-10

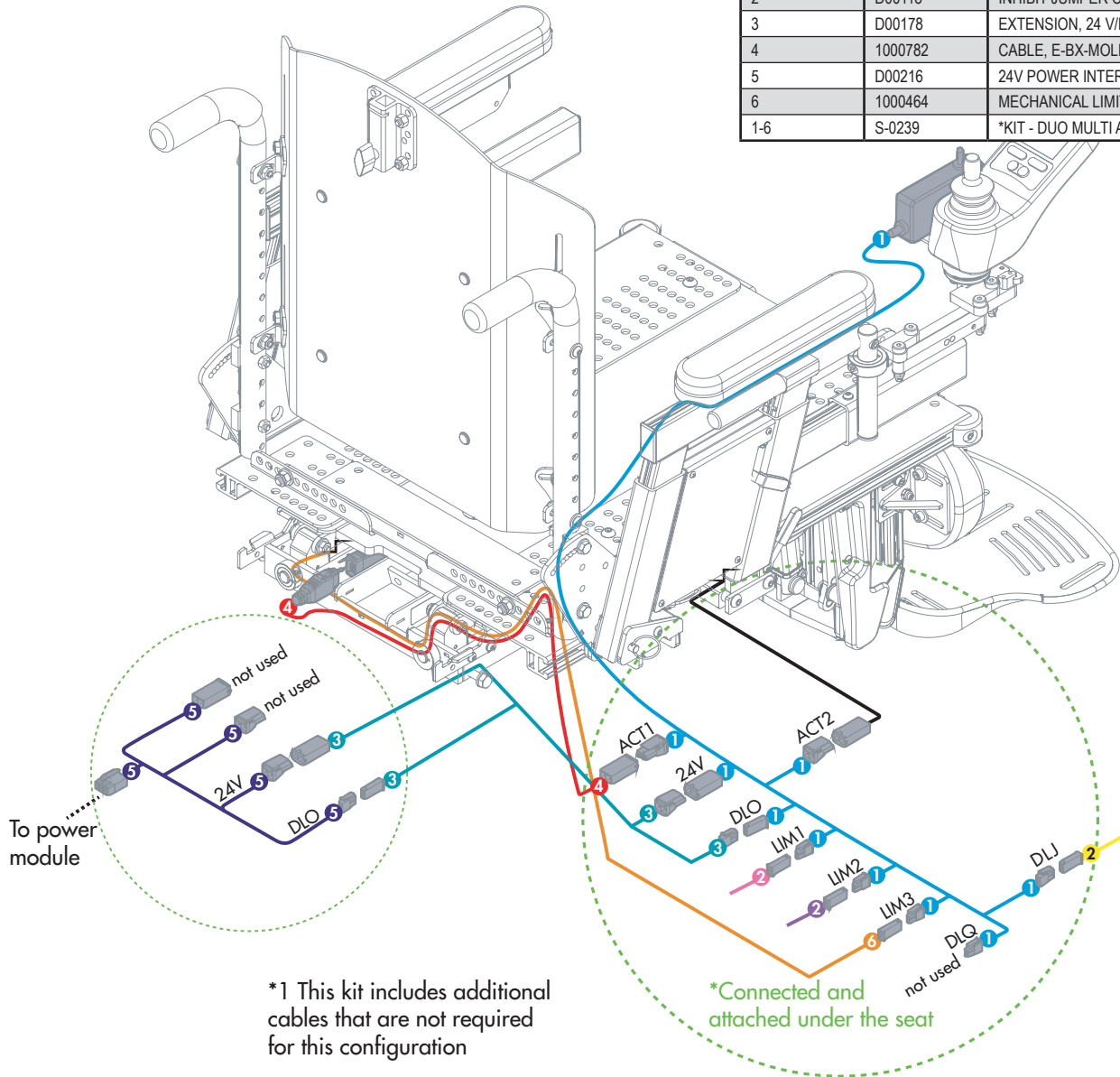


POWER SEAT FUNCTION - MAC-A-T-EBX

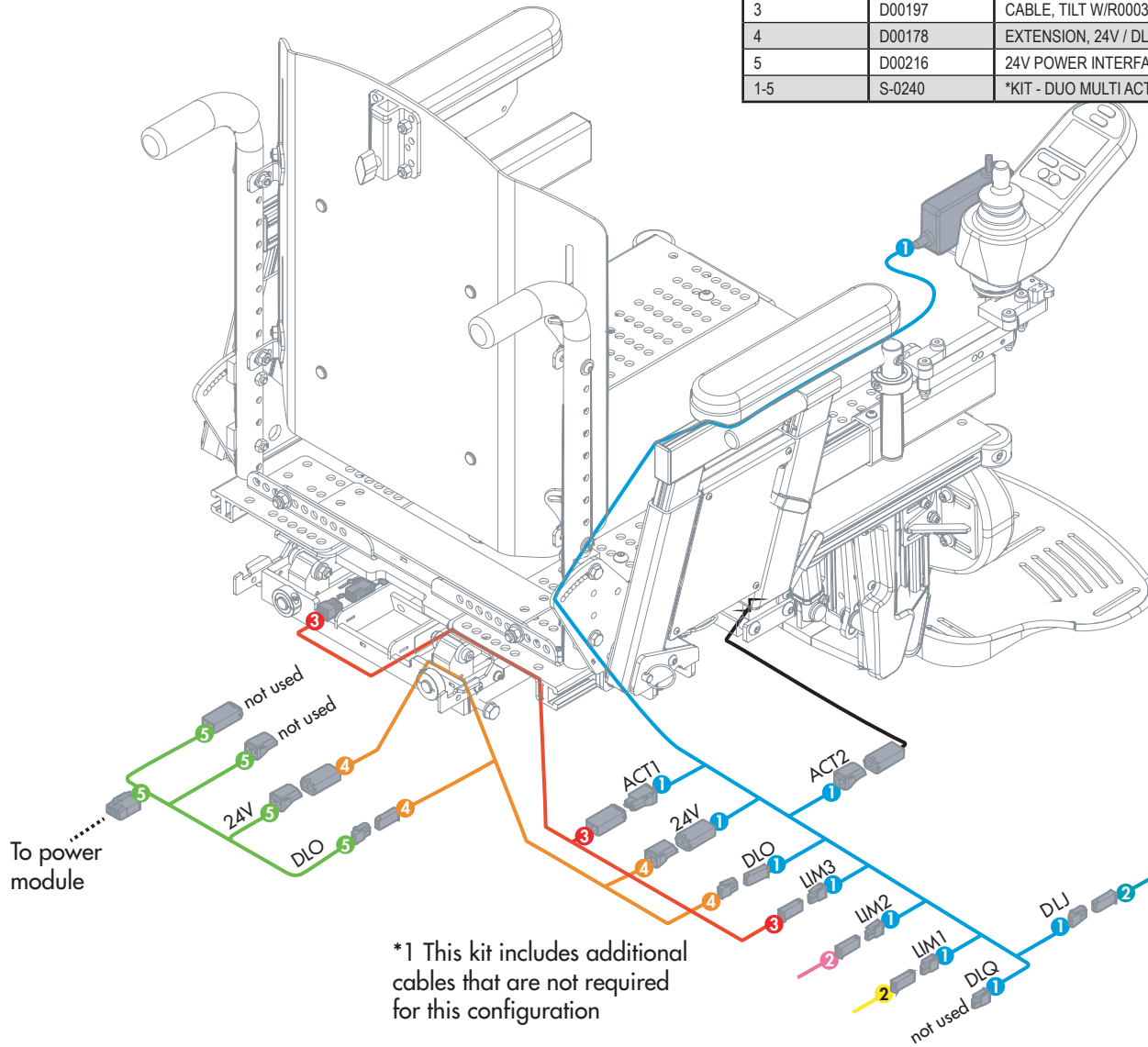
PART #	ITEM #	DESCRIPTION	EFFECTIVE
1	1000454	IQ ACTUATOR CABLE, E-BX, 1219MM (58 IN)	2019-04-11
2	1000040	CABLE ADAPTER INH E-BX	2017-09-28
3	D00118	INHIBIT JUMPER CABLE	2012-11-26
4	1000004	E-BX MULTIPLE ACTUATOR CONTROLLER R-NET	2020-02-06
1-4	S-0241	*KIT - SINGLE ACTUATOR CONTROLLER E-BX	2020-02-10



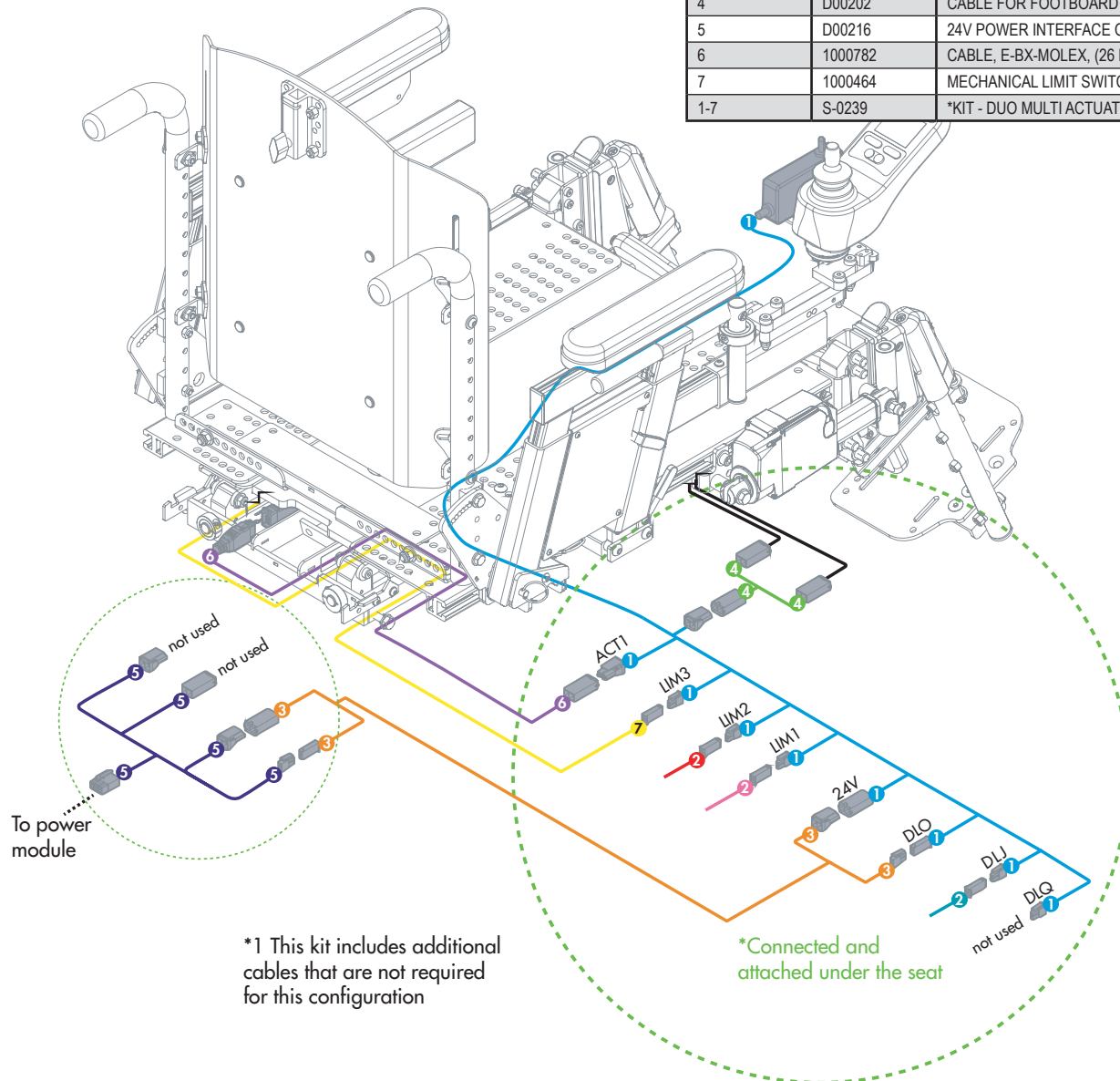
POWER SEAT FUNCTION - MAC-A-TF			
PART #	ITEM #	DESCRIPTION	EFFECTIVE
1	D00201	DUO DUAL ACTUATOR CONTROLLER	2008-04-30
2	D00118	INHIBIT JUMPER CABLE	2012-11-26
3	D00178	EXTENSION, 24 V/DLO, (24 IN)	2018-03-22
4	1000782	CABLE, E-BX-MOLEX, (26 IN)	2019-01-24
5	D00216	24V POWER INTERFACE CABLE FOR R-NET/VR2	2018-03-22
6	1000464	MECHANICAL LIMIT SWITCH WITH (26 IN) CABLE	2018-05-03
1-6	S-0239	*KIT - DUO MULTI ACTUATOR CONTROLLER	2020-02-10



POWER SEAT FUNCTION - MAC-A-TF-VHD			
PART #	ITEM #	DESCRIPTION	EFFECTIVE
1	D00201	DUO DUAL ACTUATOR CONTROLLER	2008-04-30
2	D00118	INHIBIT JUMPER CABLE	2012-11-26
3	D00197	CABLE, TILT W/R00032, (26 IN)	2018-03-22
4	D00178	EXTENSION, 24V / DLO, (24 IN)	2018-03-22
5	D00216	24V POWER INTERFACE CABLE FOR RNET/VR2	2018-03-22
1-5	S-0240	*KIT - DUO MULTI ACTUATOR CONTROLLER VHD	2020-02-10



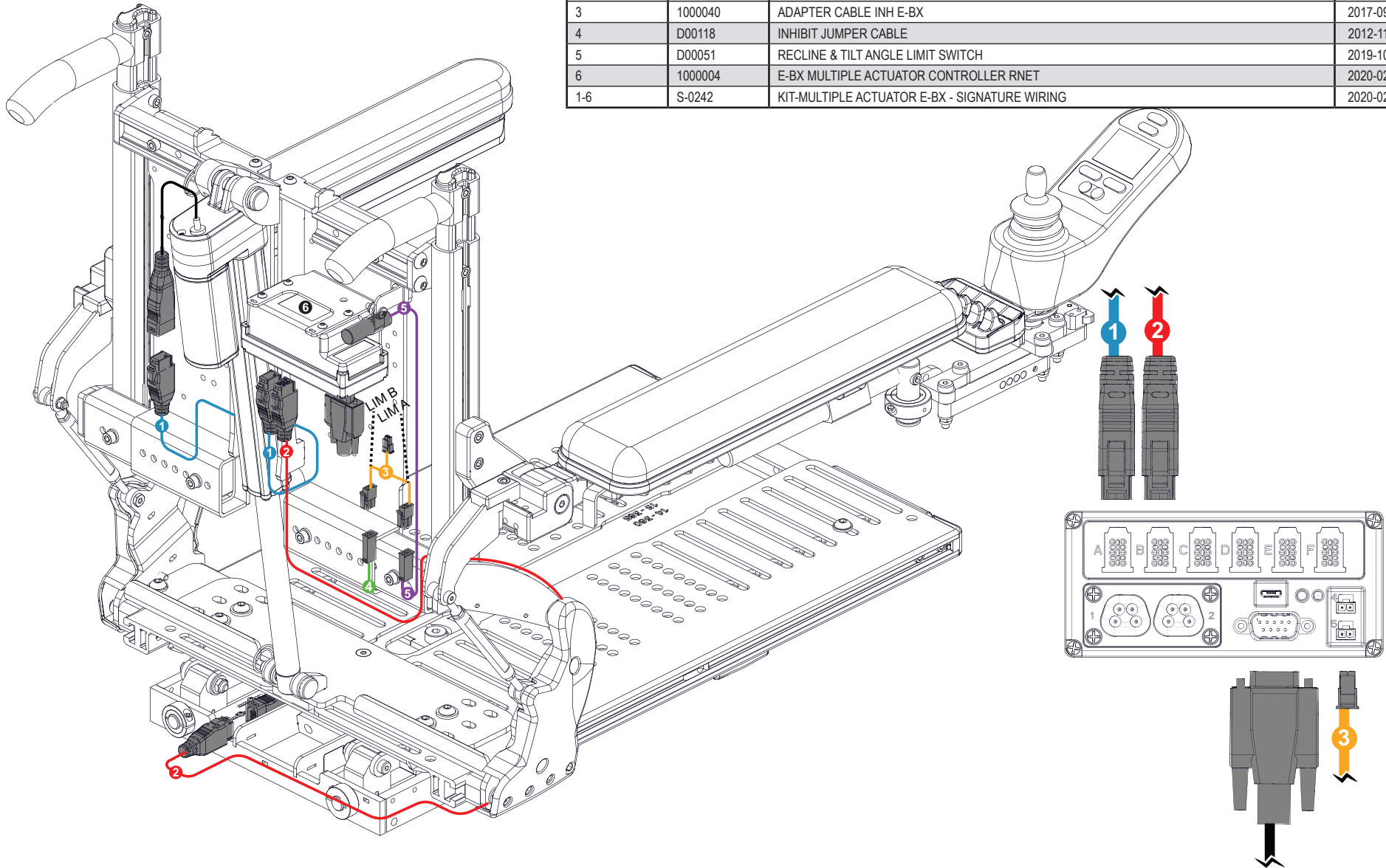
POWER SEAT FUNCTION - MAC-A-TLL			
PART #	ITEM #	DESCRIPTION	EFFECTIVE
1	D00201	DUO DUAL ACTUATOR CONTROLLER	2008-04-30
2	D00118	INHIBIT JUMPER CABLE	2012-11-26
3	D00178	EXTENSION, 24V / DLO, (24 IN)	2018-03-22
4	D00202	CABLE FOR FOOTBOARD	2008-04-30
5	D00216	24V POWER INTERFACE CABLE FOR R-NET/VR2	2018-03-22
6	1000782	CABLE, E-BX-MOLEX, (26 PO)	2019-01-24
7	1000464	MECHANICAL LIMIT SWITCH WITH (26 IN) CABLE	2018-05-03
1-7	S-0239	*KIT - DUO MULTI ACTUATOR CONTROLLER	2020-02-10



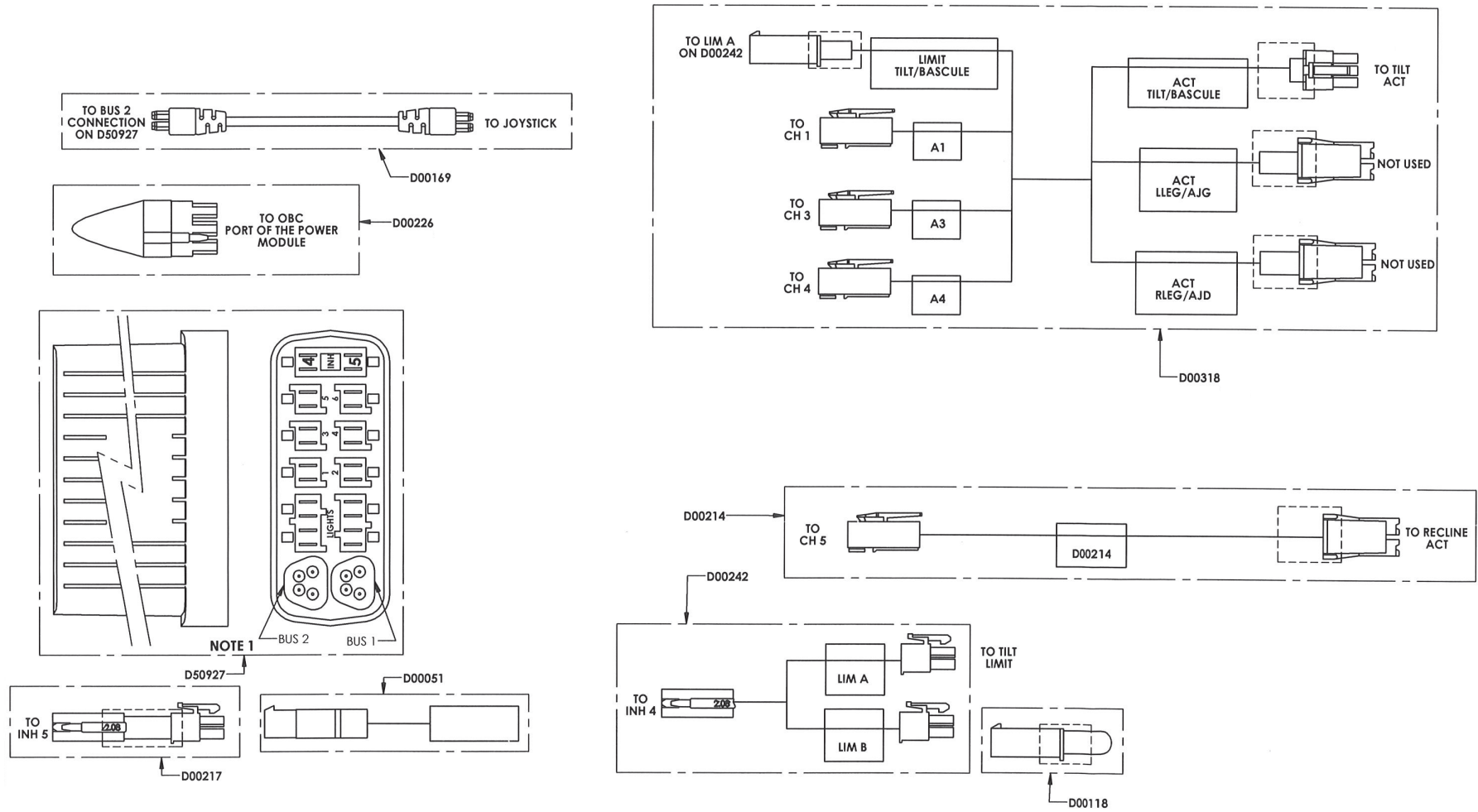
7.2.3.4

POWER SEAT FUNCTION - MAC-A-TR-EBX / MACD-A-TR-EBX / MPF-A-TR-EBX

PART #	ITEM #	DESCRIPTION	EFFECTIVE
1	1000453	IQ ACTUATOR CABLE, E-BX, 355MM (14 IN)	2019-06-03
2	1000454	IQ ACTUATOR CABLE, E-BX, 1219MM (58 IN)	2019-04-11
3	1000040	ADAPTER CABLE INH E-BX	2017-09-28
4	D00118	INHIBIT JUMPER CABLE	2012-11-26
5	D00051	RECLINE & TILT ANGLE LIMIT SWITCH	2019-10-03
6	1000004	E-BX MULTIPLE ACTUATOR CONTROLLER RNET	2020-02-06
1-6	S-0242	KIT-MULTIPLE ACTUATOR E-BX - SIGNATURE WIRING	2020-02-10

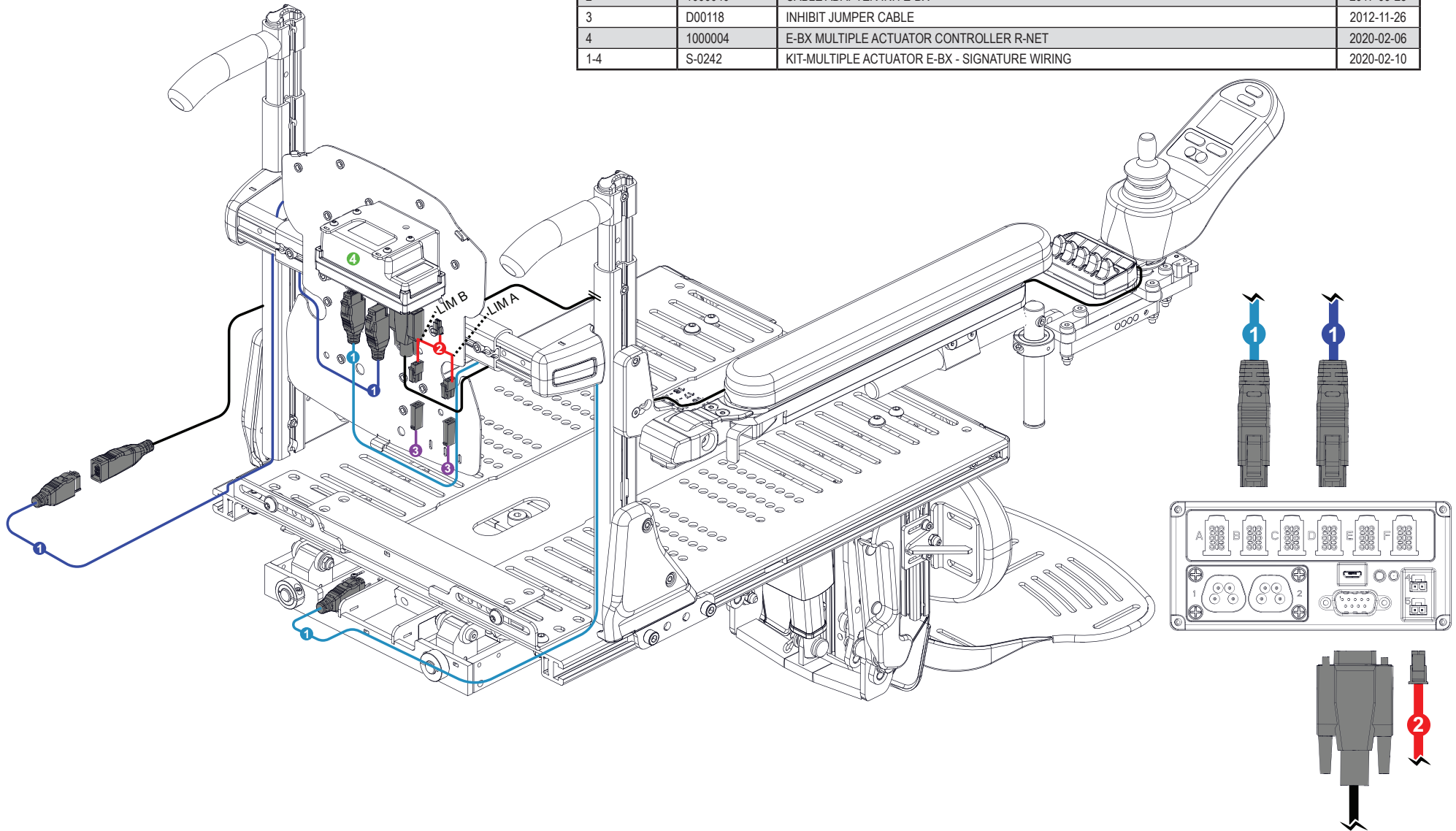


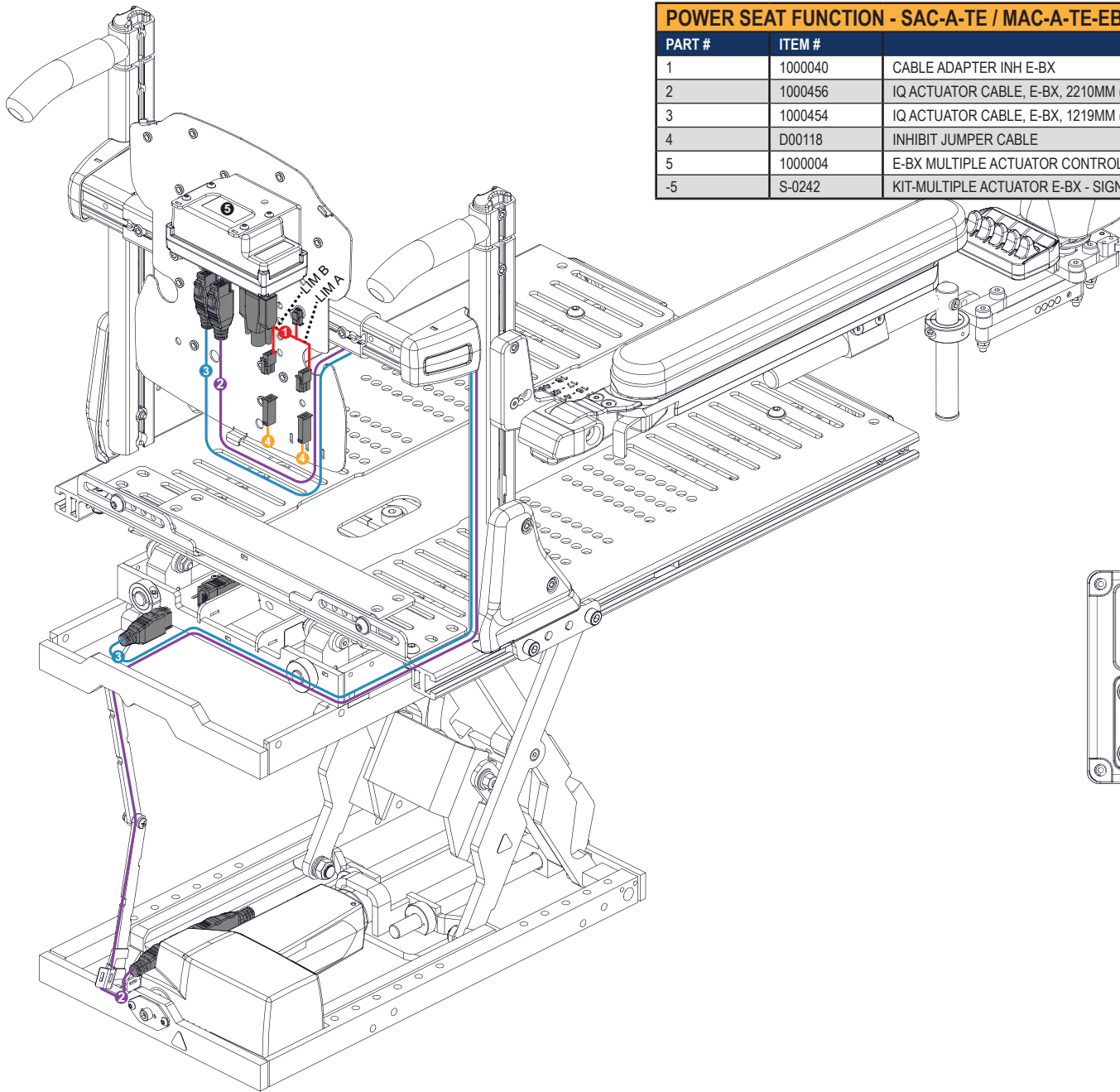
TILT RECLINE - RNET		
PART #	DESCRIPTION	EFFECTIVE
EF12-0010	DUAL POWER OPTION - TILT RECLINE - RNET	



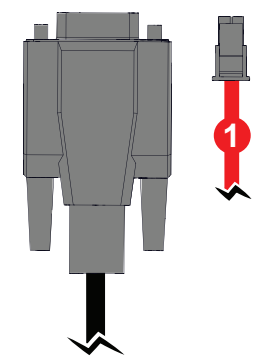
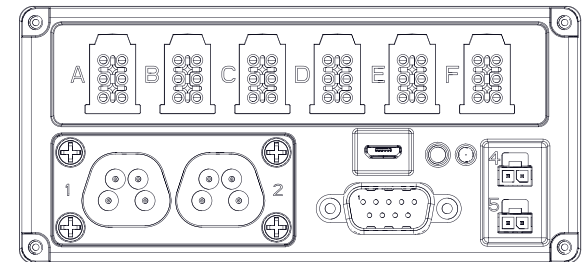
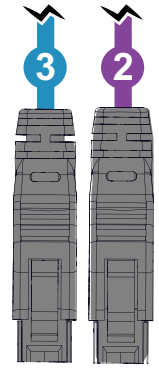
POWER SEAT FUNCTION - MAC-A-TF-EBX / MACD-A-TF-EBX / MPF-A-TF-EBX

PART #	ITEM #	DESCRIPTION	EFFECTIVE
1	1000454	IQ ACTUATOR CABLE, E-BX, 1219MM (58 IN)	2019-04-11
2	1000040	CABLE ADAPTER INH E-BX	2017-09-28
3	D00118	INHIBIT JUMPER CABLE	2012-11-26
4	1000004	E-BX MULTIPLE ACTUATOR CONTROLLER R-NET	2020-02-06
1-4	S-0242	KIT-MULTIPLE ACTUATOR E-BX - SIGNATURE WIRING	2020-02-10

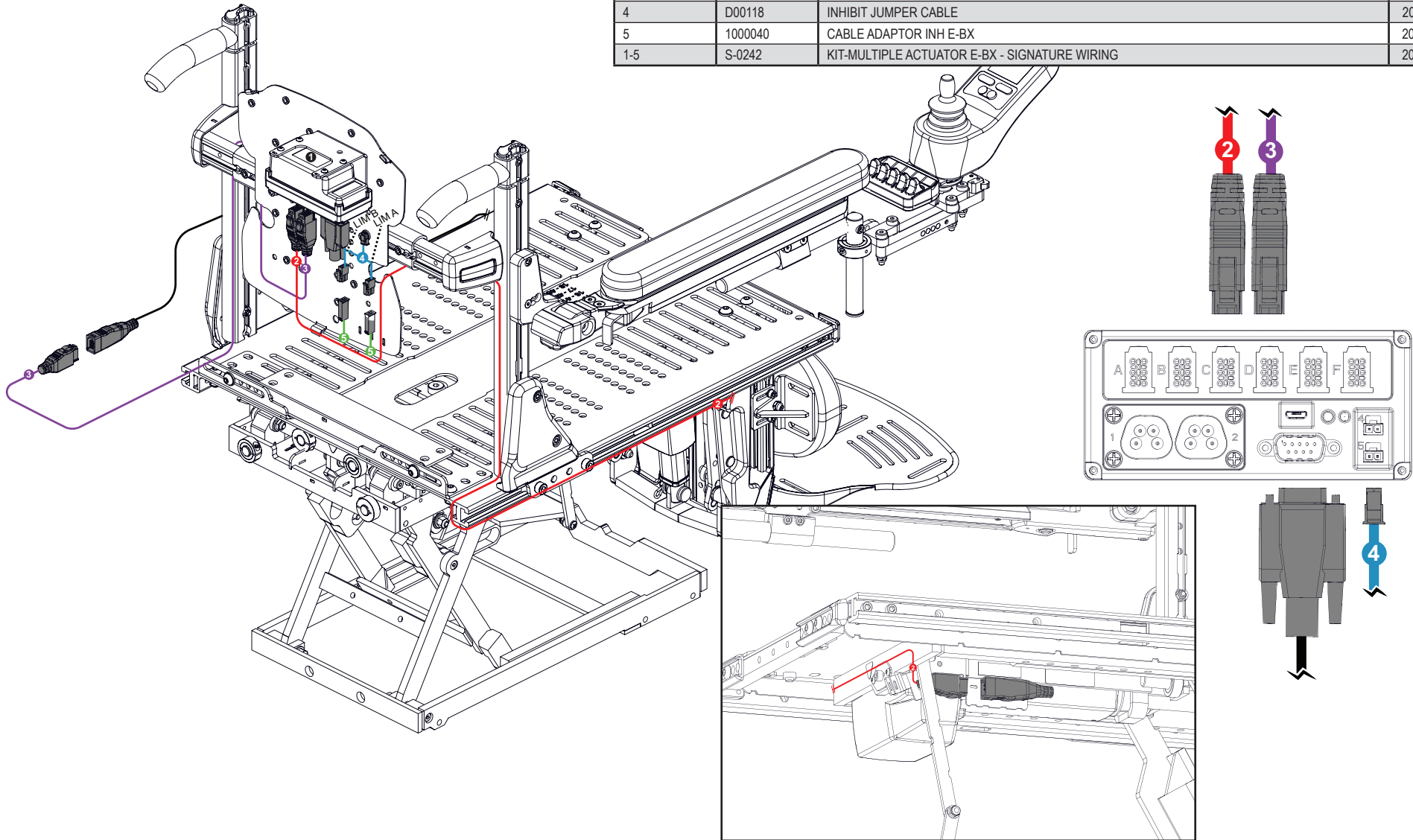




POWER SEAT FUNCTION - SAC-A-TE / MAC-A-TE-EBX / MPF-A-TE-EBX / MACD-A-TE-EBX			
PART #	ITEM #	DESCRIPTION	EFFECTIVE
1	1000040	CABLE ADAPTER INH E-BX	2017-09-28
2	1000456	IQ ACTUATOR CABLE, E-BX, 2210MM (87IN)	2019-04-11
3	1000454	IQ ACTUATOR CABLE, E-BX, 1219MM (58 IN)	2019-04-11
4	D00118	INHIBIT JUMPER CABLE	2012-11-26
5	1000004	E-BX MULTIPLE ACTUATOR CONTROLLER R-NET	2020-02-06
-5	S-0242	KIT-MULTIPLE ACTUATOR E-BX - SIGNATURE WIRING	2020-02-10

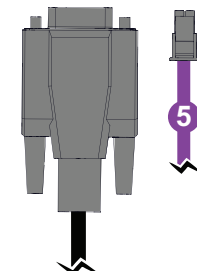
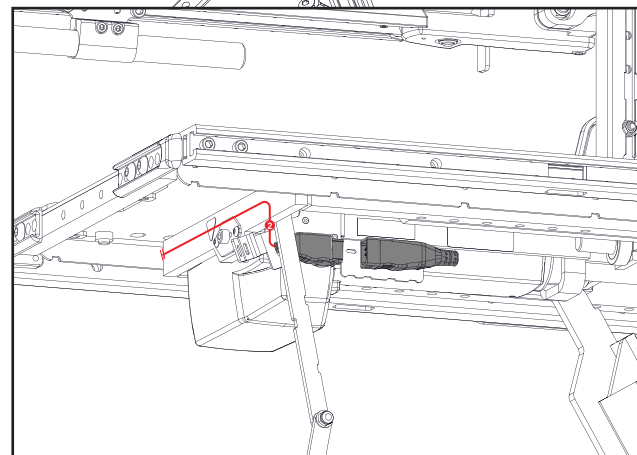
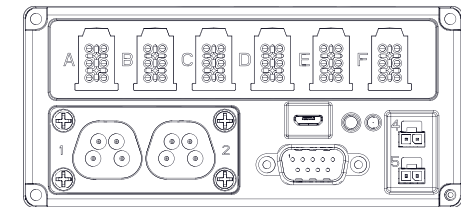
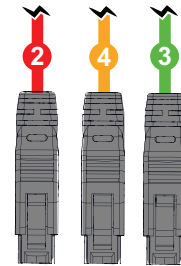
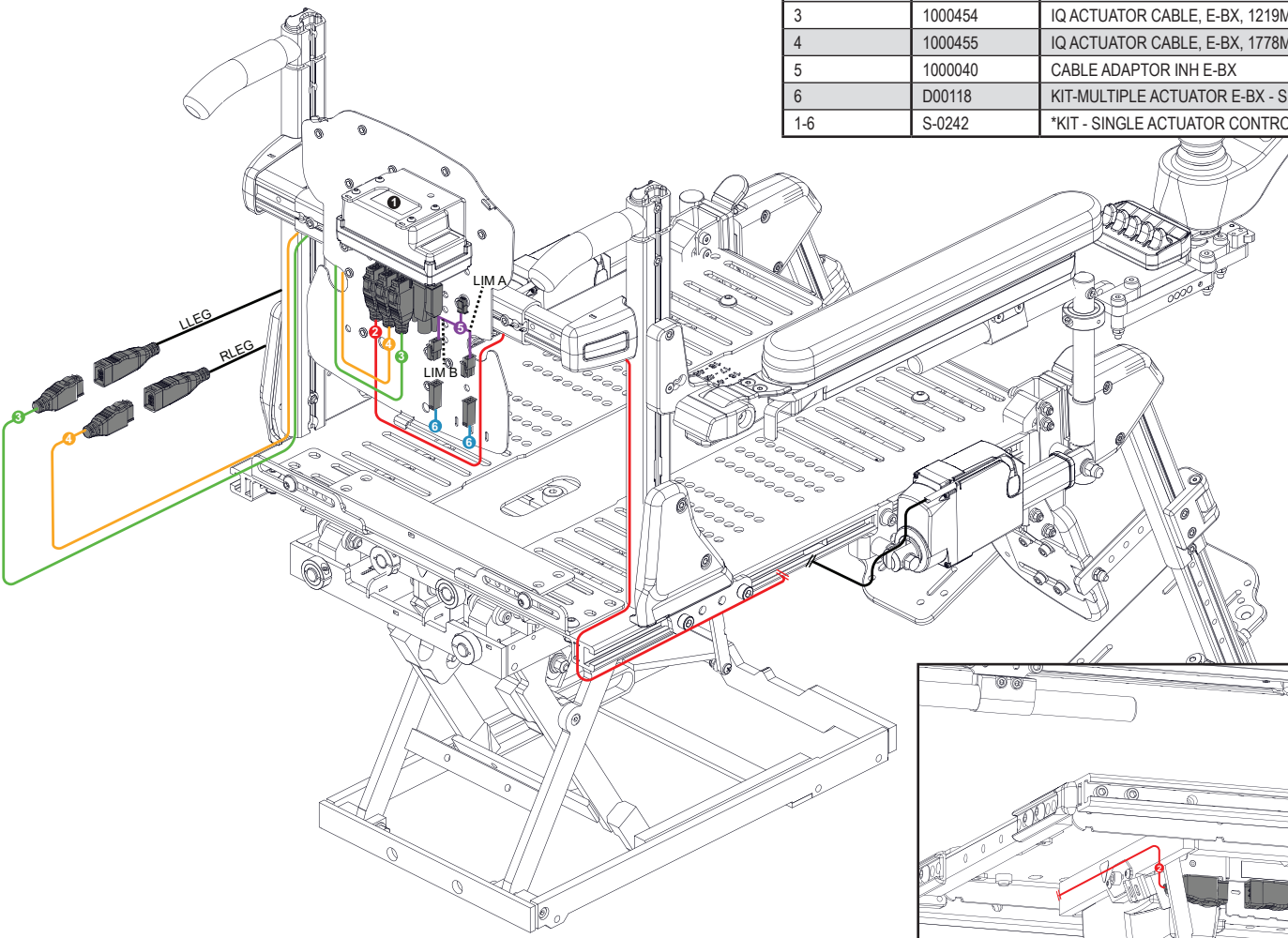


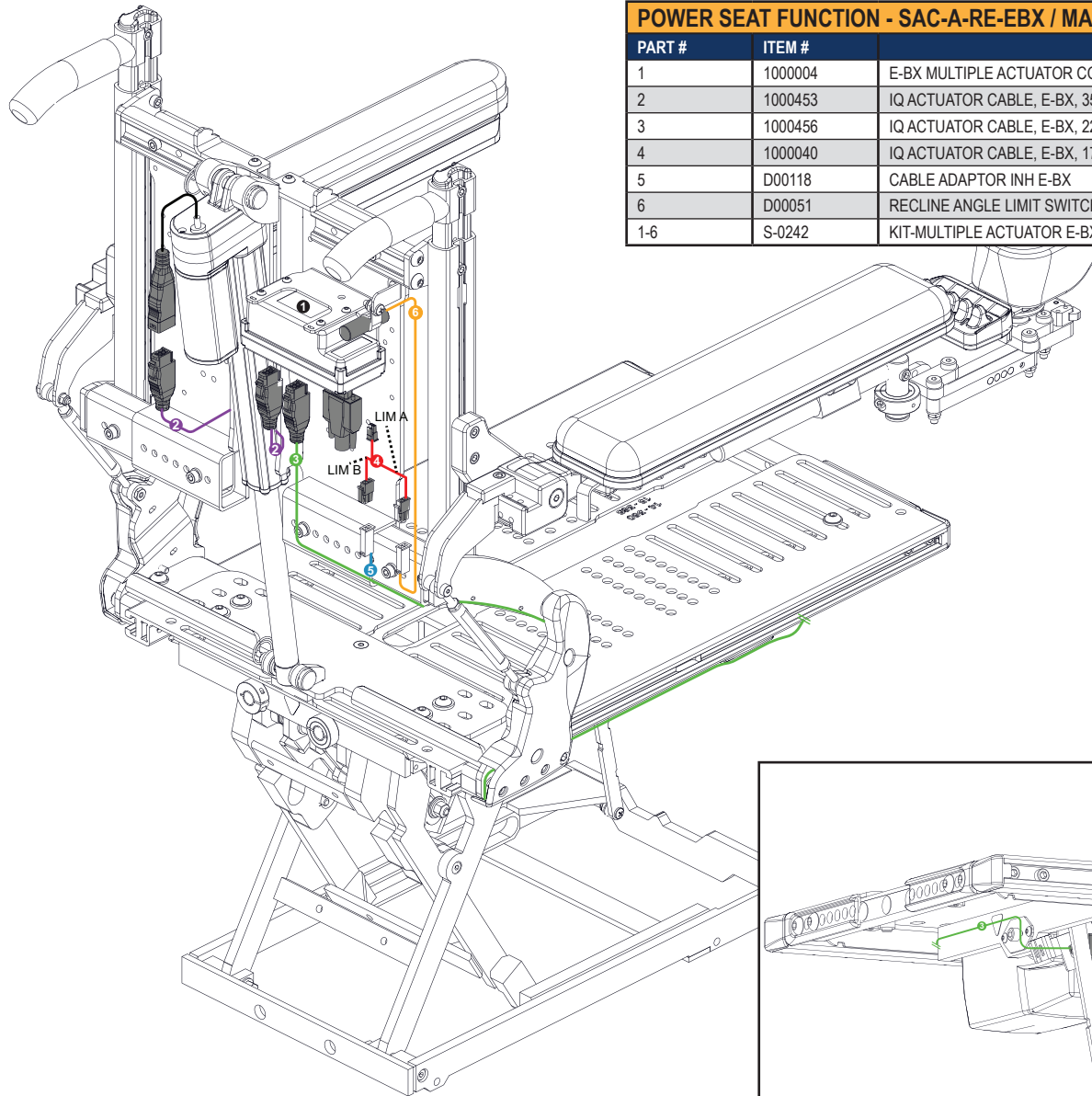
POWER SEAT FUNCTION - SAC-A-EF-EBX / MAC-A-EF-EBX / MPF-A-EF-EBX			
PART #	ITEM #	DESCRIPTION	EFFECTIVE
1	1000004	E-BX MULTIPLE ACTUATOR CONTROLLER RNET	2020-02-06
2	1000456	IQ ACTUATOR CABLE, E-BX, 2210MM (87IN)	2019-04-11
3	1000454	IQ ACTUATOR CABLE, E-BX, 1219MM (58 IN)	2019-04-11
4	D00118	INHIBIT JUMPER CABLE	2012-11-26
5	1000040	CABLE ADAPTOR INH E-BX	2017-09-28
1-5	S-0242	KIT-MULTIPLE ACTUATOR E-BX - SIGNATURE WIRING	2020-02-10



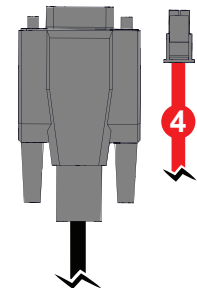
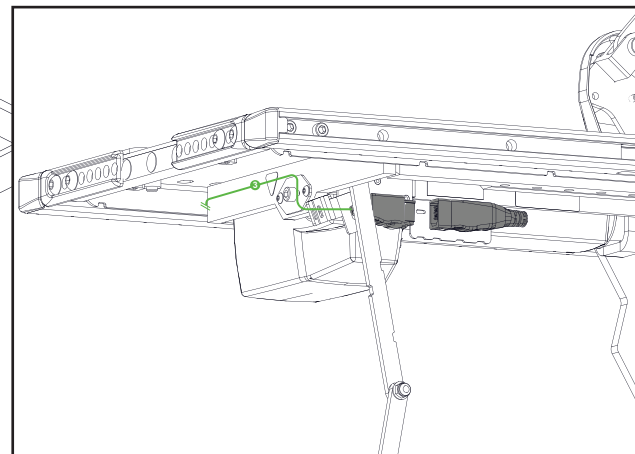
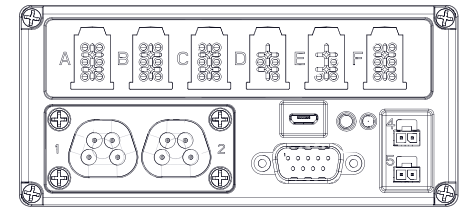
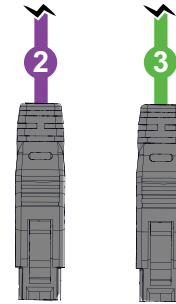
POWER SEAT FUNCTION - SAC-A-ELL-EBX / MAC-A-ELL-EBX / MPF-ELL-EBX

PART #	ITEM #	DESCRIPTION	EFFECTIVE
1	1000004	E-BX MULTIPLE ACTUATOR CONTROLLER RNET	2020-02-06
2	1000456	IQ ACTUATOR CABLE, E-BX, 2210MM (87IN)	2019-04-11
3	1000454	IQ ACTUATOR CABLE, E-BX, 1219MM (58 IN)	2019-04-11
4	1000455	IQ ACTUATOR CABLE, E-BX, 1778MM (70IN)	2019-04-11
5	1000040	CABLE ADAPTOR INH E-BX	2017-09-28
6	D00118	KIT-MULTIPLE ACTUATOR E-BX - SIGNATURE WIRING	2012-11-26
1-6	S-0242	*KIT - SINGLE ACTUATOR CONTROLLER E-BX	2020-02-10

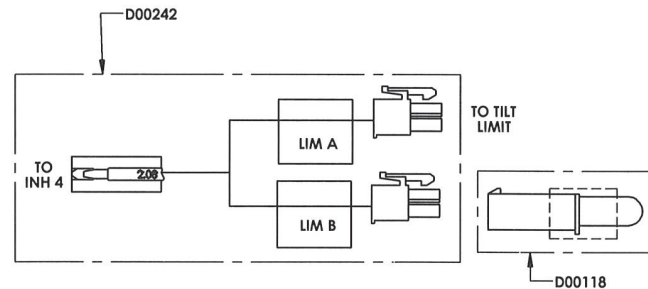
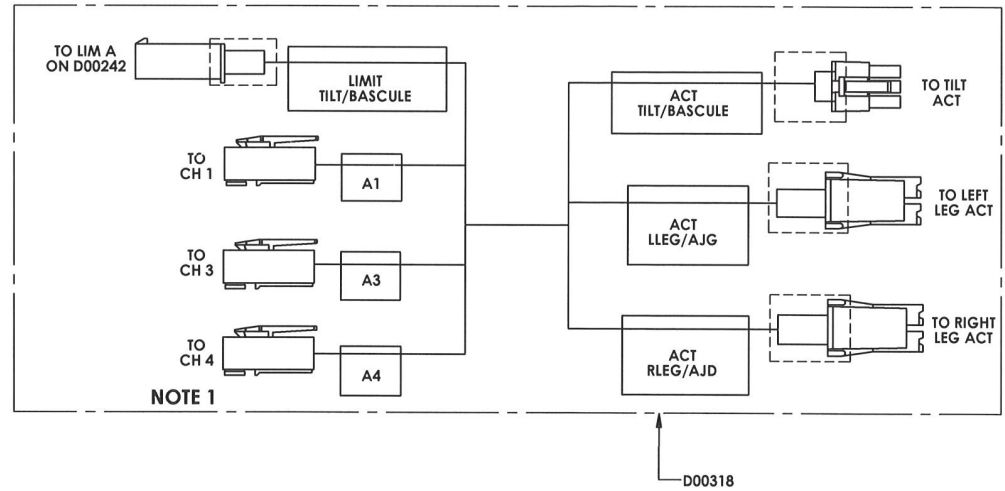
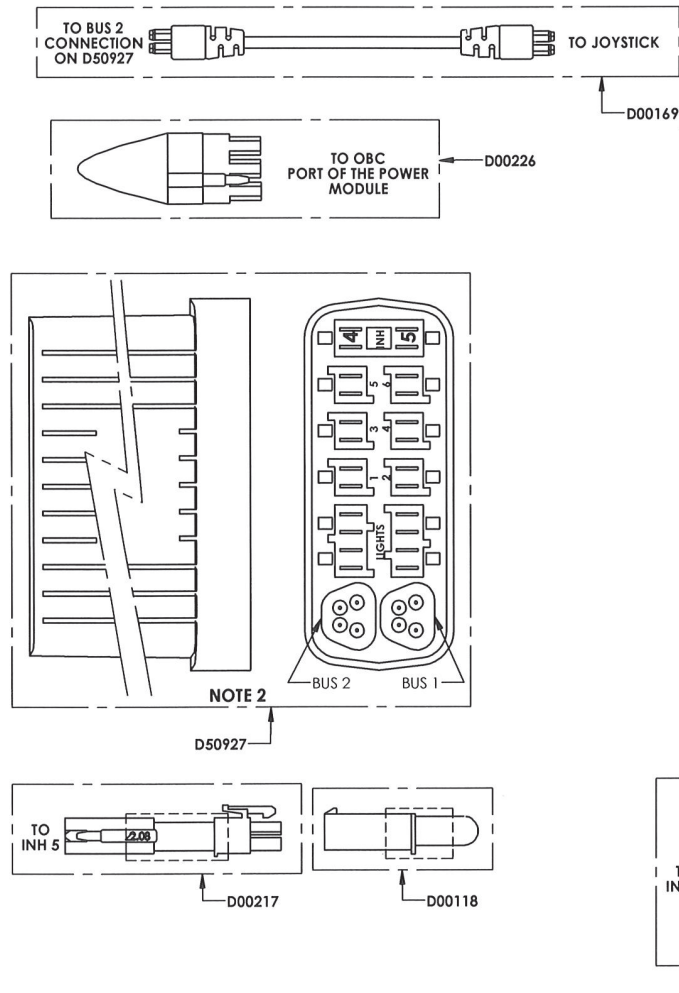




POWER SEAT FUNCTION - SAC-A-RE-EBX / MAC-A-RE-EBX / MPF-A-RE-EBX			
PART #	ITEM #	DESCRIPTION	EFFECTIVE
1	1000004	E-BX MULTIPLE ACTUATOR CONTROLLER RNET	2020-02-06
2	1000453	IQ ACTUATOR CABLE, E-BX, 355MM (14 PO)	2019-06-30
3	1000456	IQ ACTUATOR CABLE, E-BX, 2210MM (87IN)	2019-06-30
4	1000040	IQ ACTUATOR CABLE, E-BX, 1778MM (70IN)	2019-04-11
5	D00118	CABLE ADAPTOR INH E-BX	2017-09-28
6	D00051	RECLINE ANGLE LIMIT SWITCH	2012-11-26
1-6	S-0242	KIT-MULTIPLE ACTUATOR E-BX - SIGNATURE WIRING	2020-02-10



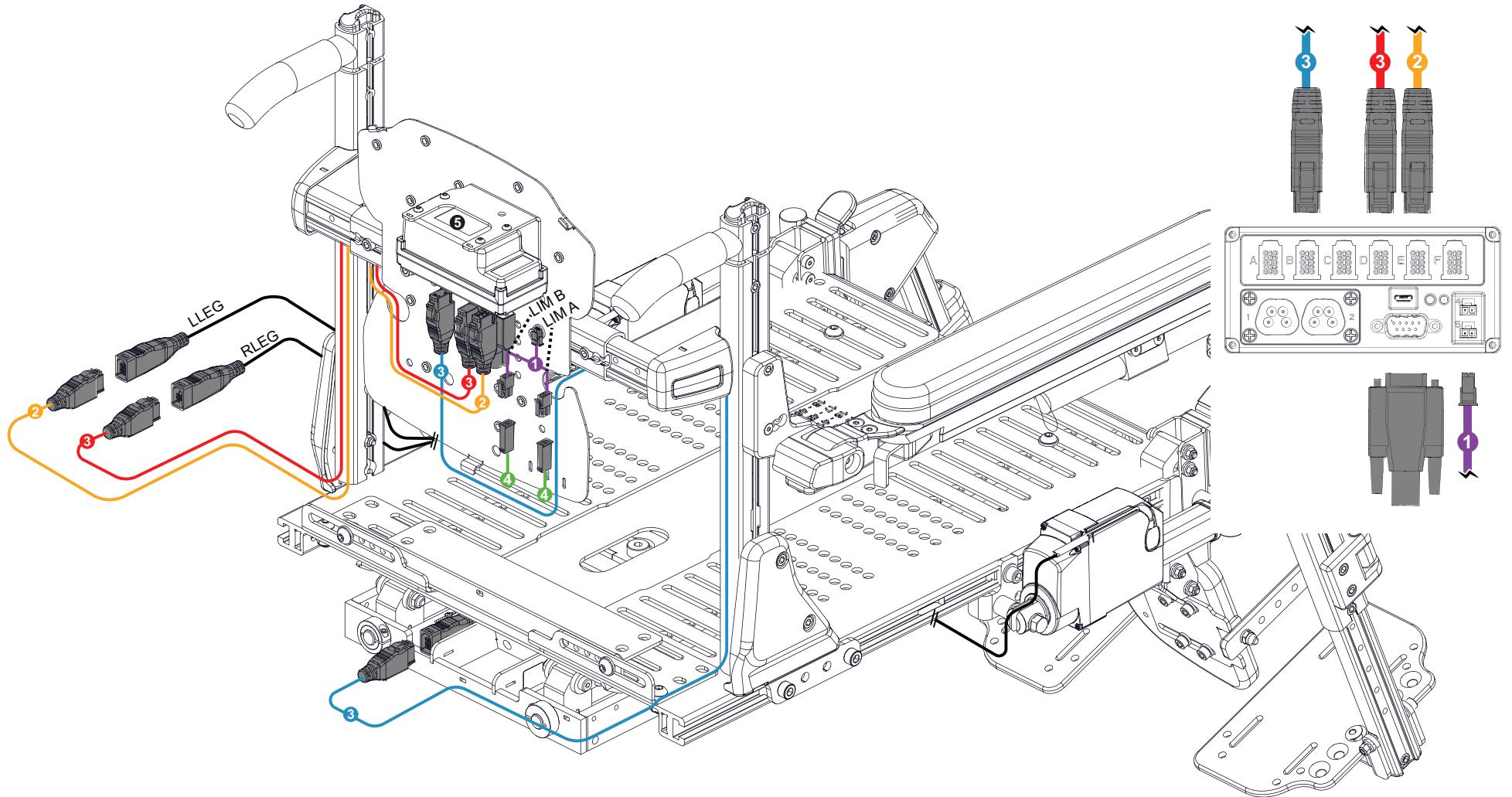
TILT FOOTBOARD - RNET		
PART #	DESCRIPTION	EFFECTIVE
EF14-0017	DUAL POWER OPTION - TILT FOOTBOARD - RNET	



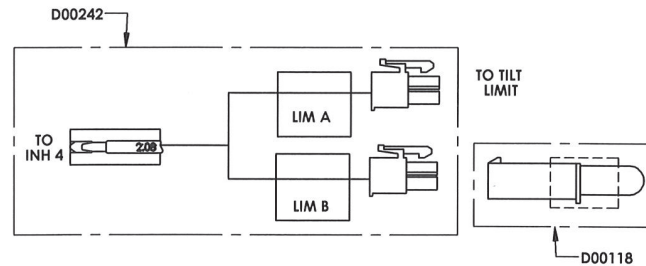
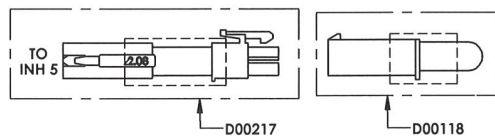
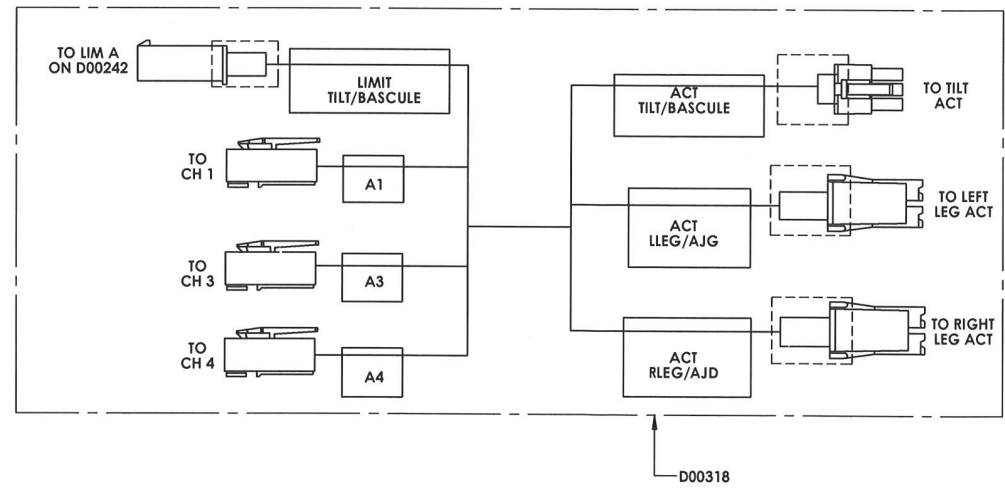
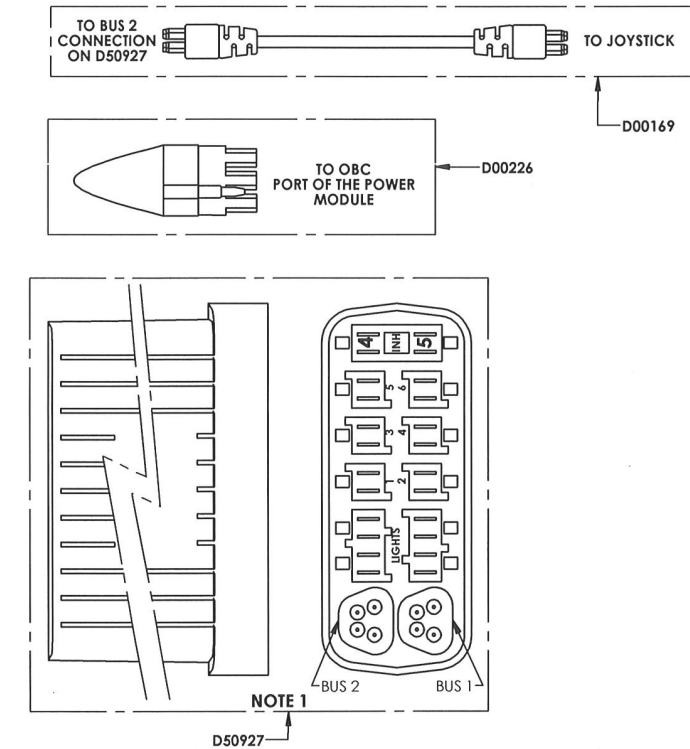
NOTE 1: PLUG IN CH6 IF THE FOOTBOARD HAS ONLY ONE ACTUATOR.

POWER SEAT FUNCTION - MAC-A-TLL-EBX / MACD-A-TLL-EBX / MPF-A-TLL-EBX

PART #	ITEM #	DESCRIPTION	EFFECTIVE
1	1000040	ADAPTER CABLE INH E-BX	2017-09-28
2	1000455	IQ ACTUATOR CABLE, E-BX, 1778MM (70 PO)	2019-04-11
3	1000454	IQ ACTUATOR CABLE, E-BX, 1219MM (58 IN)	2019-04-11
4	D00118	INHIBIT JUMPER CABLE	2012-11-26
5	1000004	E-BX MULTIPLE ACTUATOR CONTROLLER RNET	2020-02-06
1-5	S-0242	KIT-MULTIPLE ACTUATOR E-BX - SIGNATURE WIRING	2020-02-10

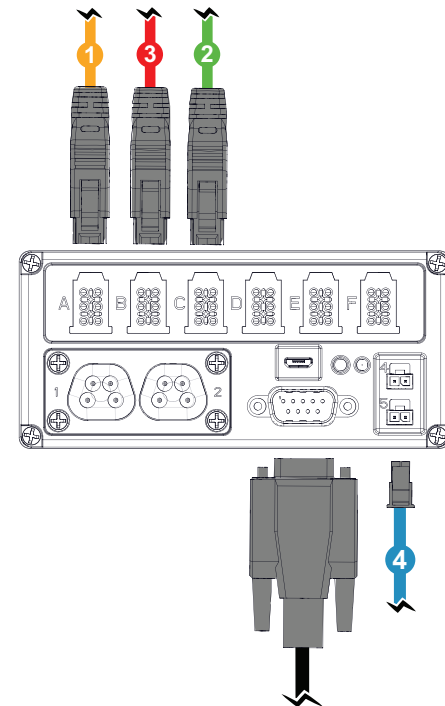
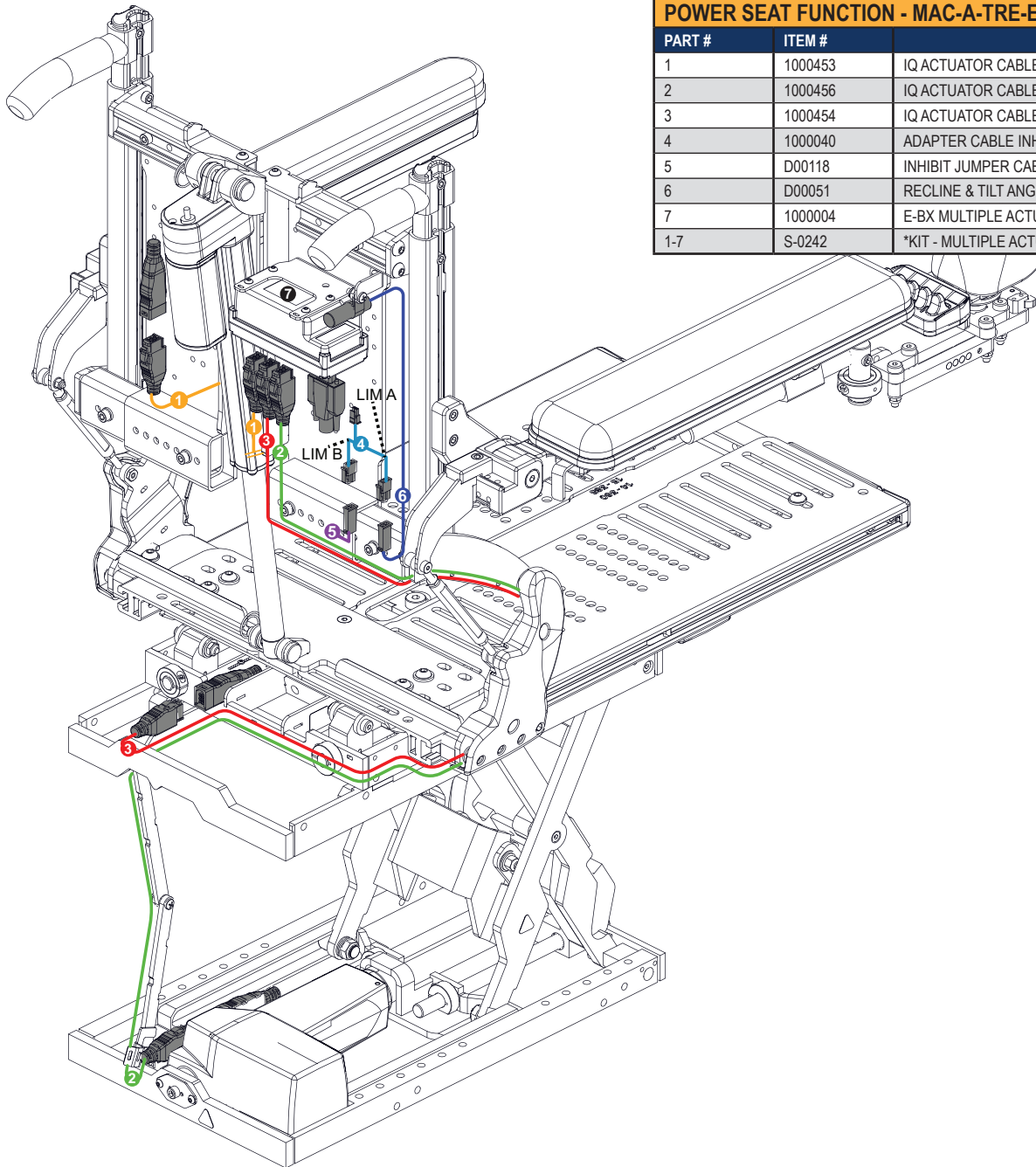


TILT LEFT AND RIGHT LEG - RNET		
PART #	DESCRIPTION	EFFECTIVE
EF14-0016	MULTIPLE POWER OPT - TILT LEFT AND RIGHT LEG - RNET	

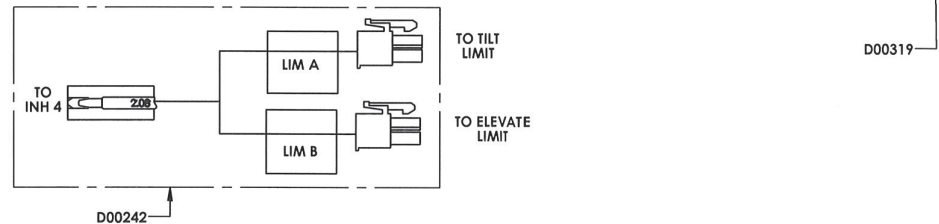
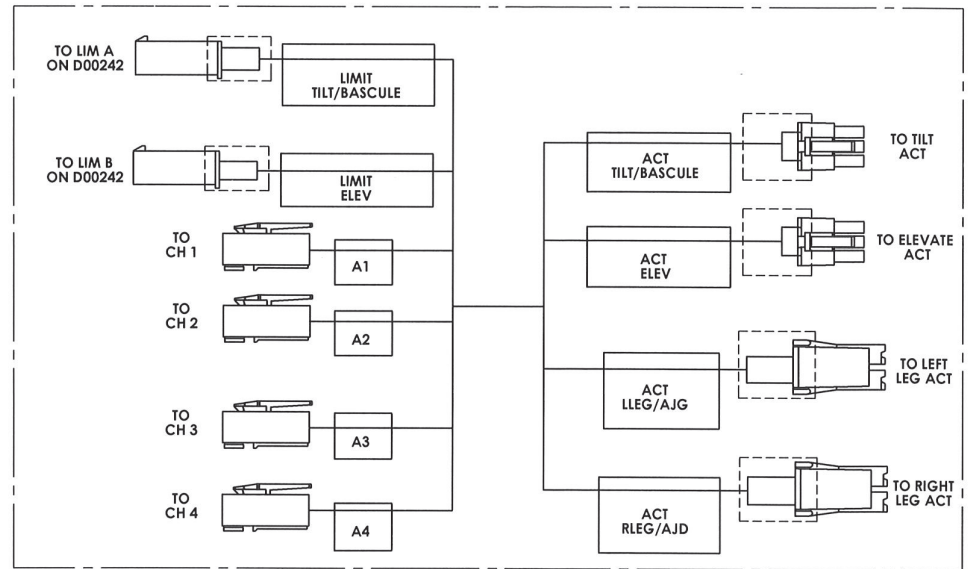
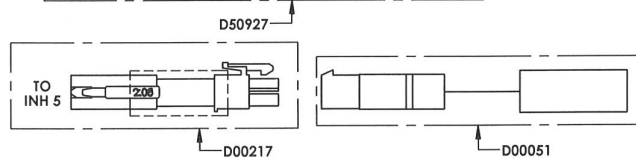
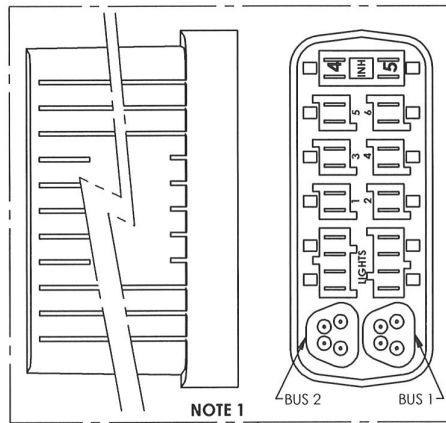
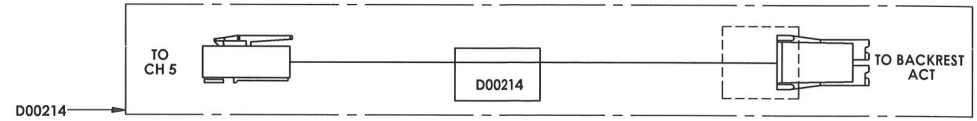
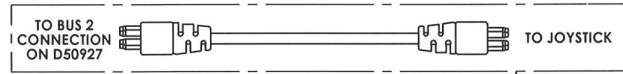


POWER SEAT FUNCTION - MAC-A-TRE-EBX / MACD-A-TRE-EBX / MPF-A-TRE-EBX

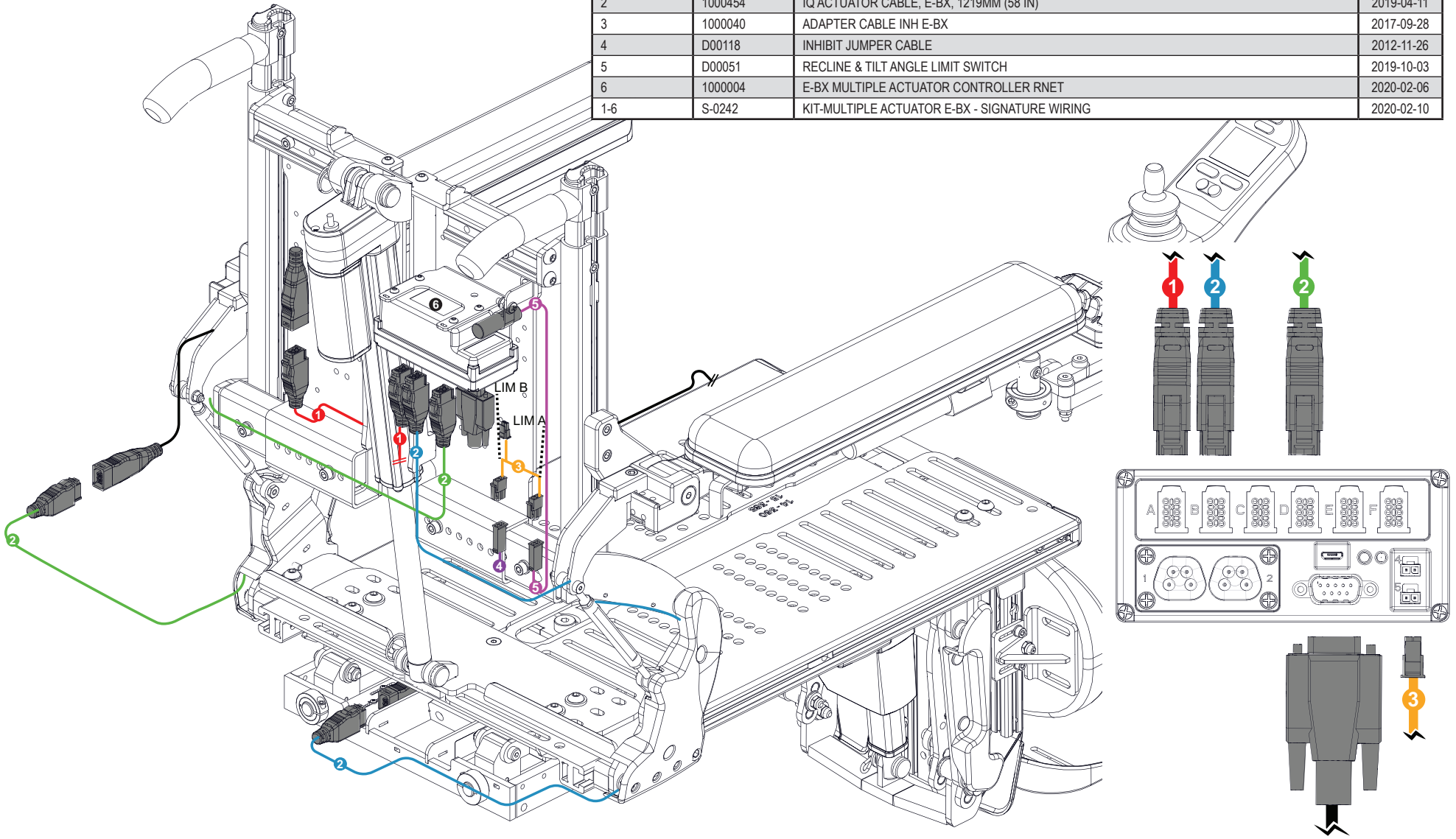
PART #	ITEM #	DESCRIPTION	EFFECTIVE
1	1000453	IQ ACTUATOR CABLE, E-BX, 355MM (14 IN)	2019-06-03
2	1000456	IQ ACTUATOR CABLE, E-BX, 2210MM (87IN)	2019-04-11
3	1000454	IQ ACTUATOR CABLE, E-BX, 1219MM (58 IN)	2019-04-11
4	1000040	ADAPTER CABLE INH E-BX	2017-09-28
5	D00118	INHIBIT JUMPER CABLE	2012-11-26
6	D00051	RECLINE & TILT ANGLE LIMIT SWITCH	2019-10-03
7	1000004	E-BX MULTIPLE ACTUATOR CONTROLLER RNET	2020-02-06
1-7	S-0242	*KIT - MULTIPLE ACTUATOR CONTROLLER E-BX	2020-02-10



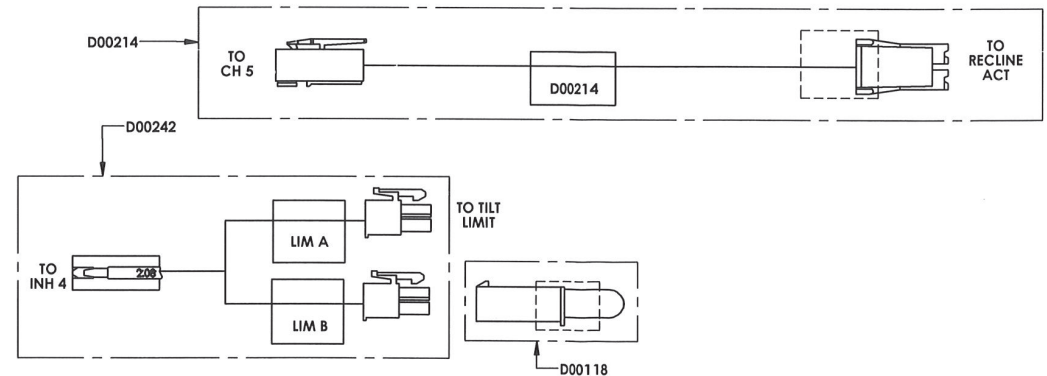
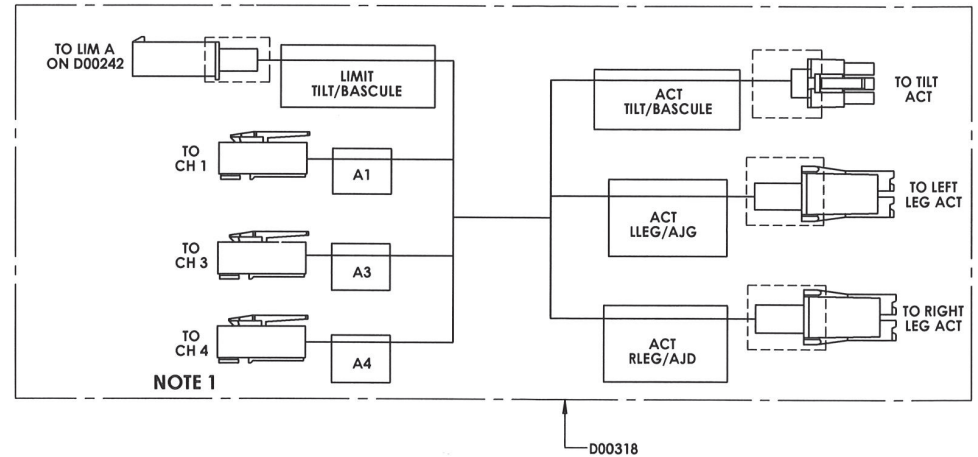
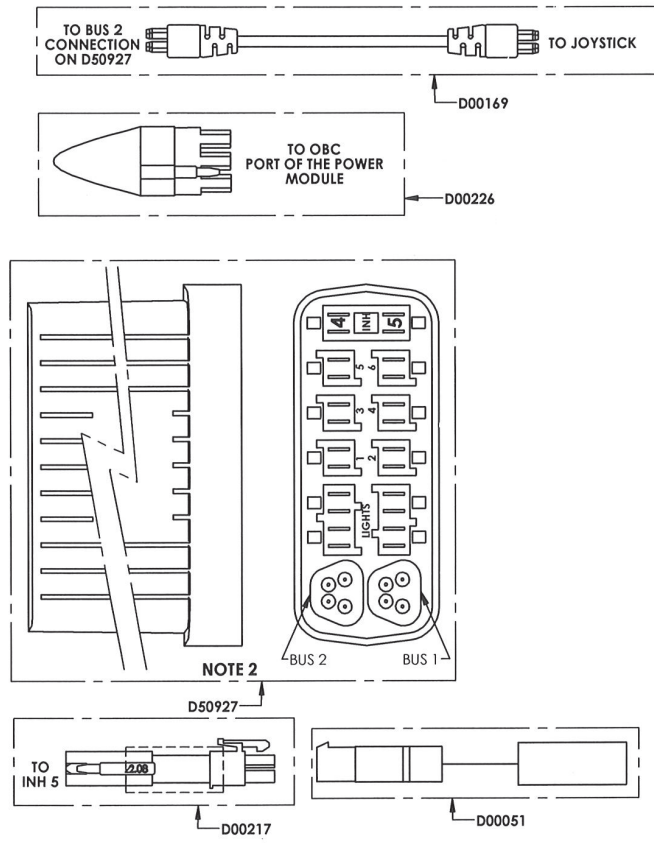
TILT RECLINE ELEVATE - RNET		
PART #	DESCRIPTION	EFFECTIVE
EF14-0020	MULTIPLE POWER OPT - TILT RECLINE ELEVATE - RNET	



POWER SEAT FUNCTION - MAC-A-TRF-EBX / MACD-A-TRF-EBX / MPF-A-TRF-EBX			
PART #	ITEM #	DESCRIPTION	EFFECTIVE
1	1000453	IQ ACTUATOR CABLE, E-BX, 355MM (14 IN)	2019-06-03
2	1000454	IQ ACTUATOR CABLE, E-BX, 1219MM (58 IN)	2019-04-11
3	1000040	ADAPTER CABLE INH E-BX	2017-09-28
4	D00118	INHIBIT JUMPER CABLE	2012-11-26
5	D00051	RECLINE & TILT ANGLE LIMIT SWITCH	2019-10-03
6	1000004	E-BX MULTIPLE ACTUATOR CONTROLLER RNET	2020-02-06
1-6	S-0242	KIT-MULTIPLE ACTUATOR E-BX - SIGNATURE WIRING	2020-02-10



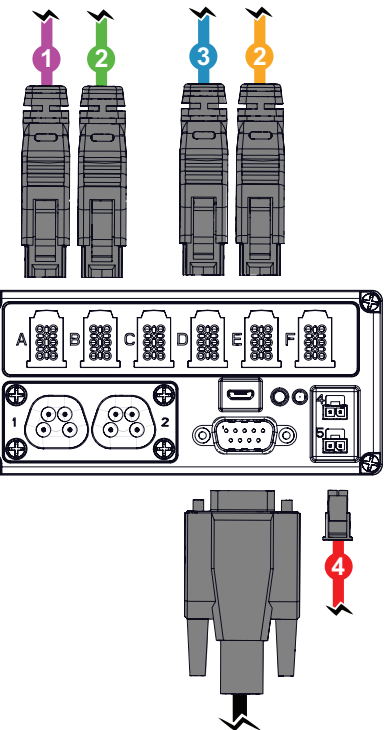
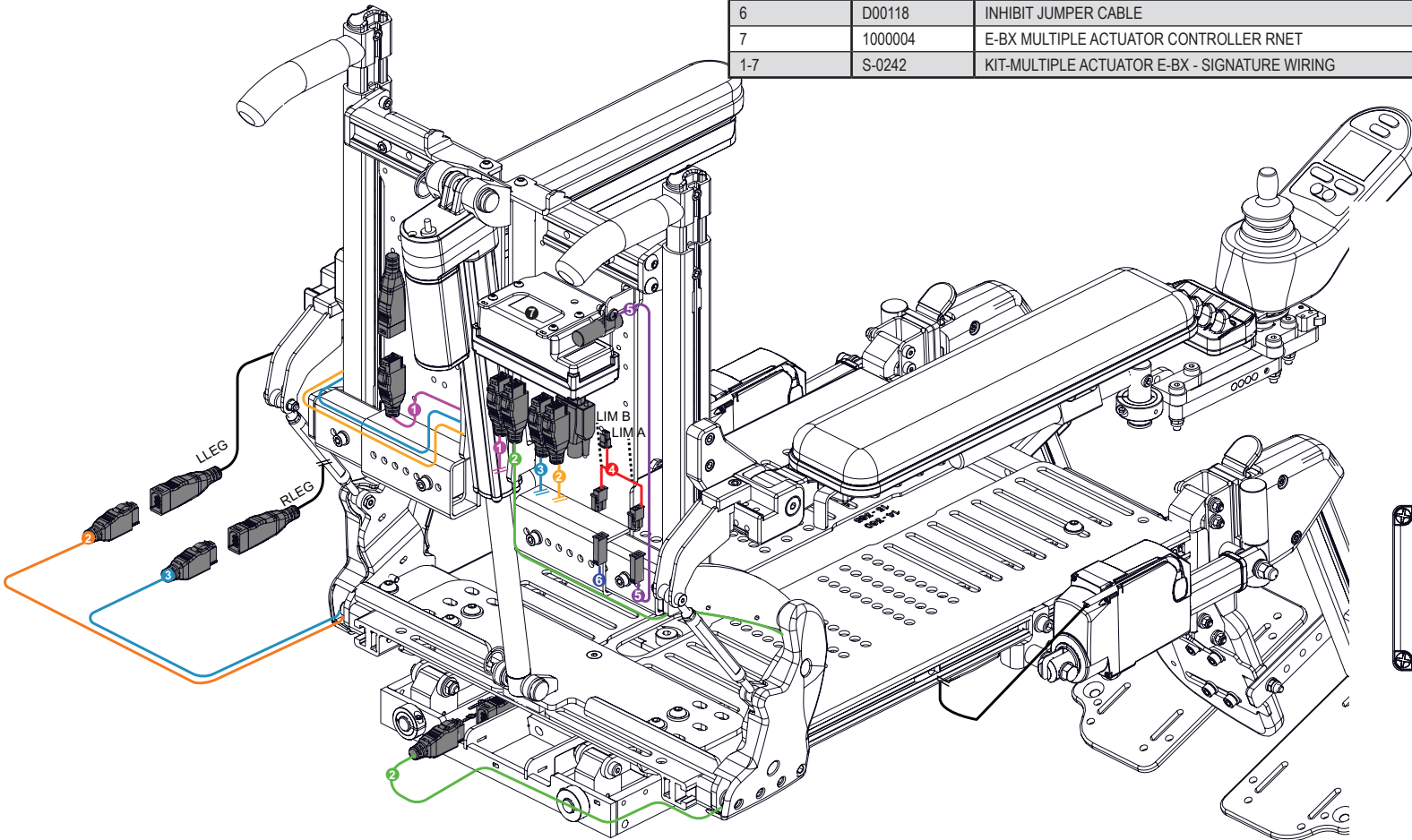
TILT RECLINE FOOTBOARD - RNET		
PART #	DESCRIPTION	EFFECTIVE
EF14-0019	MULTIPLE POWER OPT - TILT RECLINE FOOTBOARD - RNET	



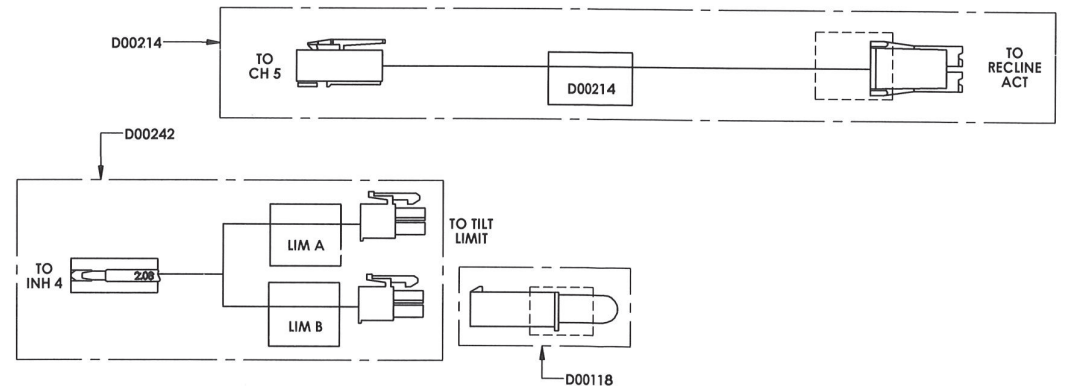
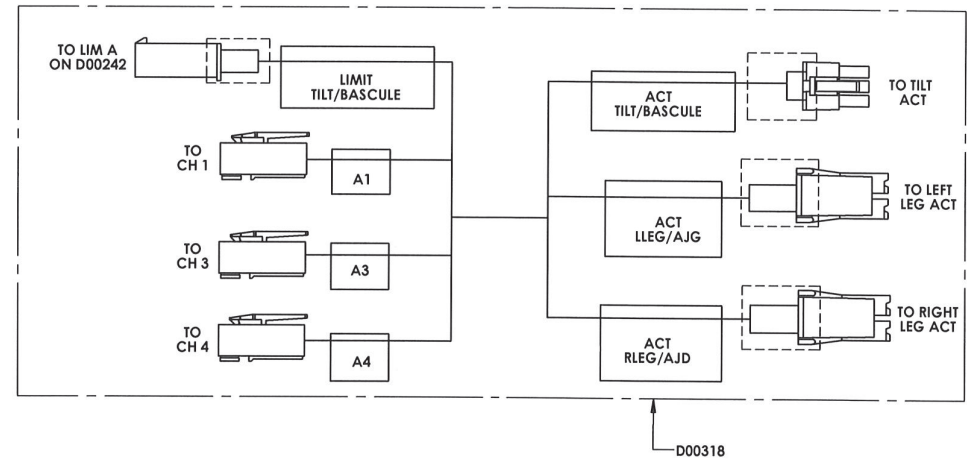
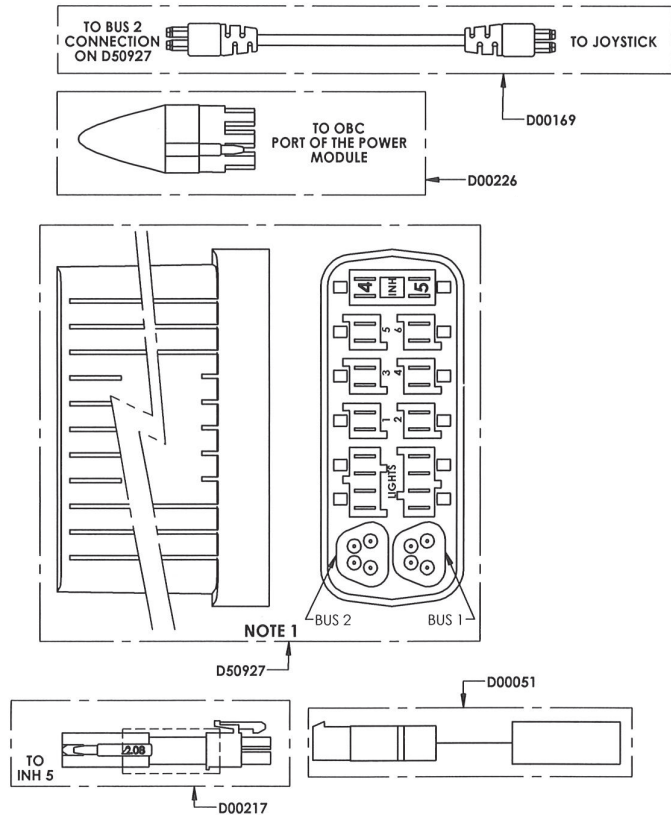
NOTE 1: PLUG IN CH6 IF THE FOOTBOARD HAS ONLY ONE ACTUATOR.

POWER SEAT FUNCTION - MAC-A-TRLL-EBX / MACD-A-TRLL-EBX / MPF-A-TRLL-EBX

PART #	ITEM #	DESCRIPTION	EFFECTIVE
1	1000453	IQ ACTUATOR CABLE, E-BX, 355MM (14 IN)	2019-06-03
2	1000454	IQ ACTUATOR CABLE, E-BX, 1219MM (58 IN)	2019-04-11
3	1000455	IQ ACTUATOR CABLE, E-BX, 1778MM (70 IN)	2019-04-11
4	1000040	ADAPTER CABLE INH E-BX	2017-09-28
5	D00051	RECLINE & TILT ANGLE LIMIT SWITCH	2019-10-03
6	D00118	INHIBIT JUMPER CABLE	2012-11-26
7	1000004	E-BX MULTIPLE ACTUATOR CONTROLLER RNET	2020-02-06
1-7	S-0242	KIT-MULTIPLE ACTUATOR E-BX - SIGNATURE WIRING	2020-02-10

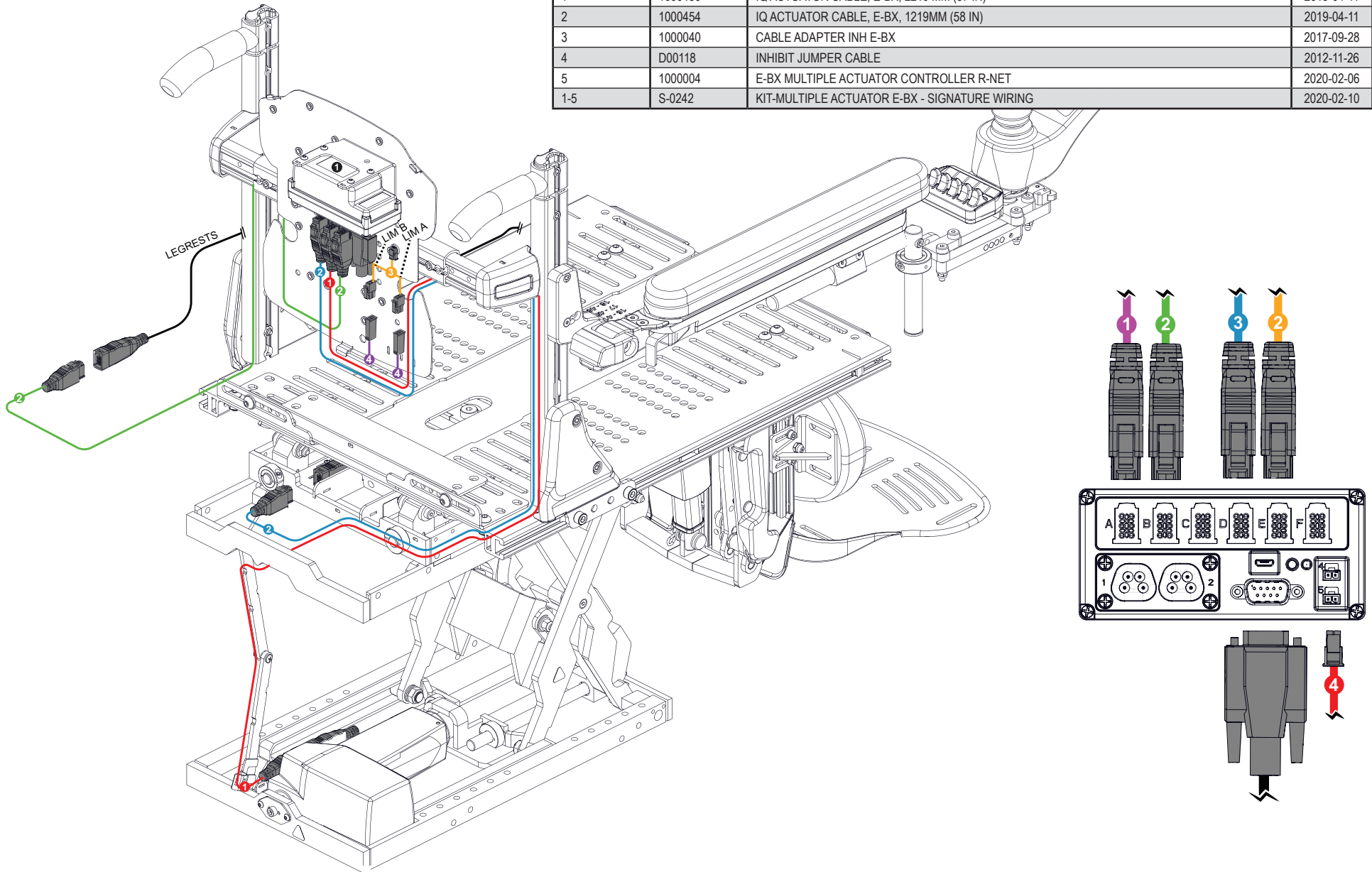


TILT RECLINE LH + RH LEG - RNET		
PART #	DESCRIPTION	EFFECTIVE
EF14-0018	MULTIPLE POWER OPT - TILT RECL LH + RH LEG - RNET	

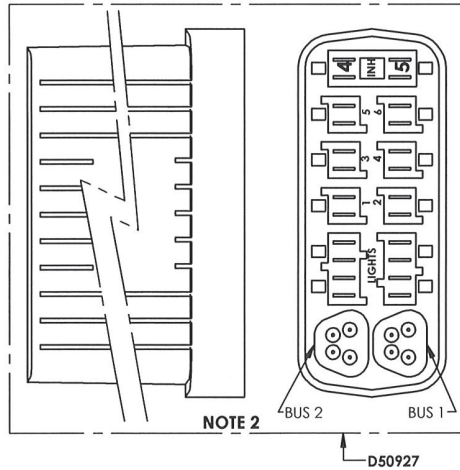
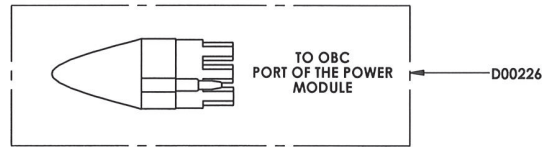
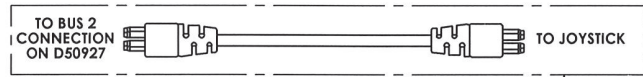


POWER SEAT FUNCTION - MAC-A-TFE-EBX / MACD-A-TFE-EBX / MPF-A-TFE-EBX

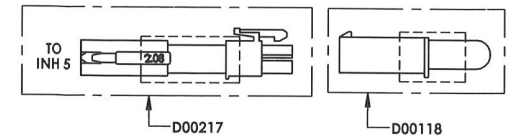
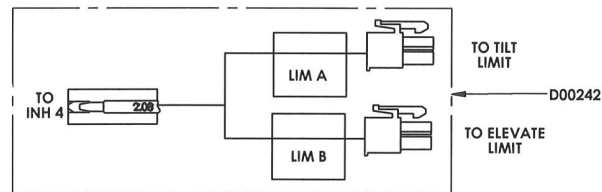
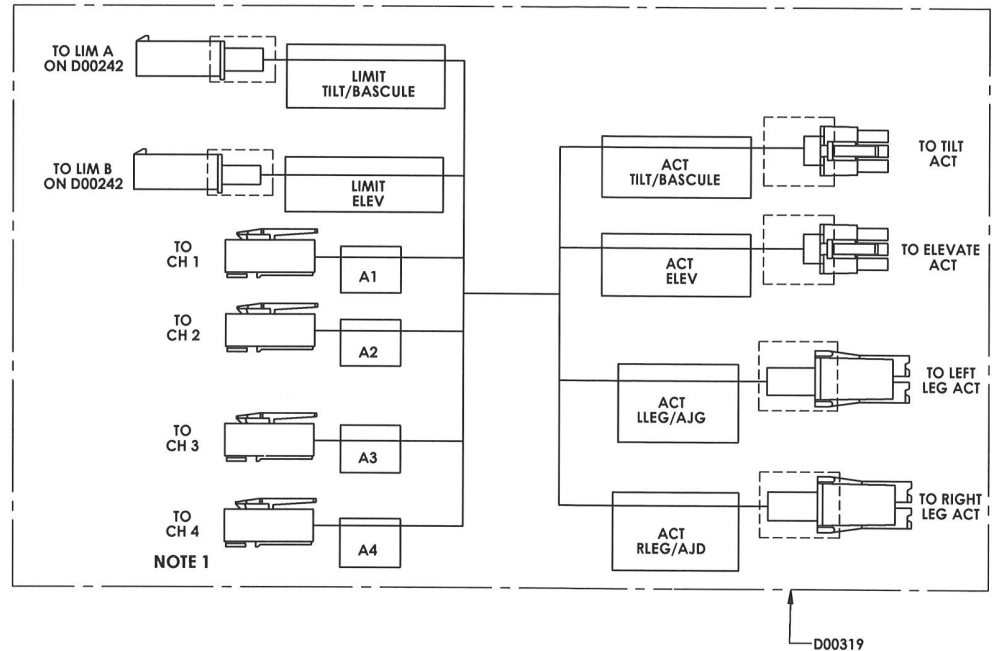
PART #	ITEM #	DESCRIPTION	EFFECTIVE
1	1000456	IQ ACTUATOR CABLE, E-BX, 2210 MM (87 IN)	2019-04-11
2	1000454	IQ ACTUATOR CABLE, E-BX, 1219MM (58 IN)	2019-04-11
3	1000040	CABLE ADAPTER INH E-BX	2017-09-28
4	D00118	INHIBIT JUMPER CABLE	2012-11-26
5	1000004	E-BX MULTIPLE ACTUATOR CONTROLLER R-NET	2020-02-06
1-5	S-0242	KIT-MULTIPLE ACTUATOR E-BX - SIGNATURE WIRING	2020-02-10



TILT FOOTBOARD ELEVATE - RNET		
PART #	DESCRIPTION	EFFECTIVE
EF14-0022	MULTIPLE POWER OPT - TILT FOOTBOARD ELEVATE - RNET	

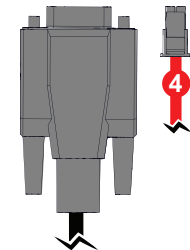
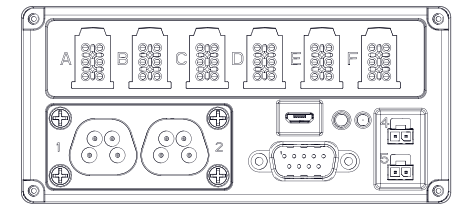
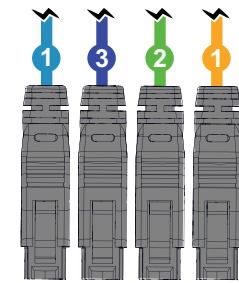
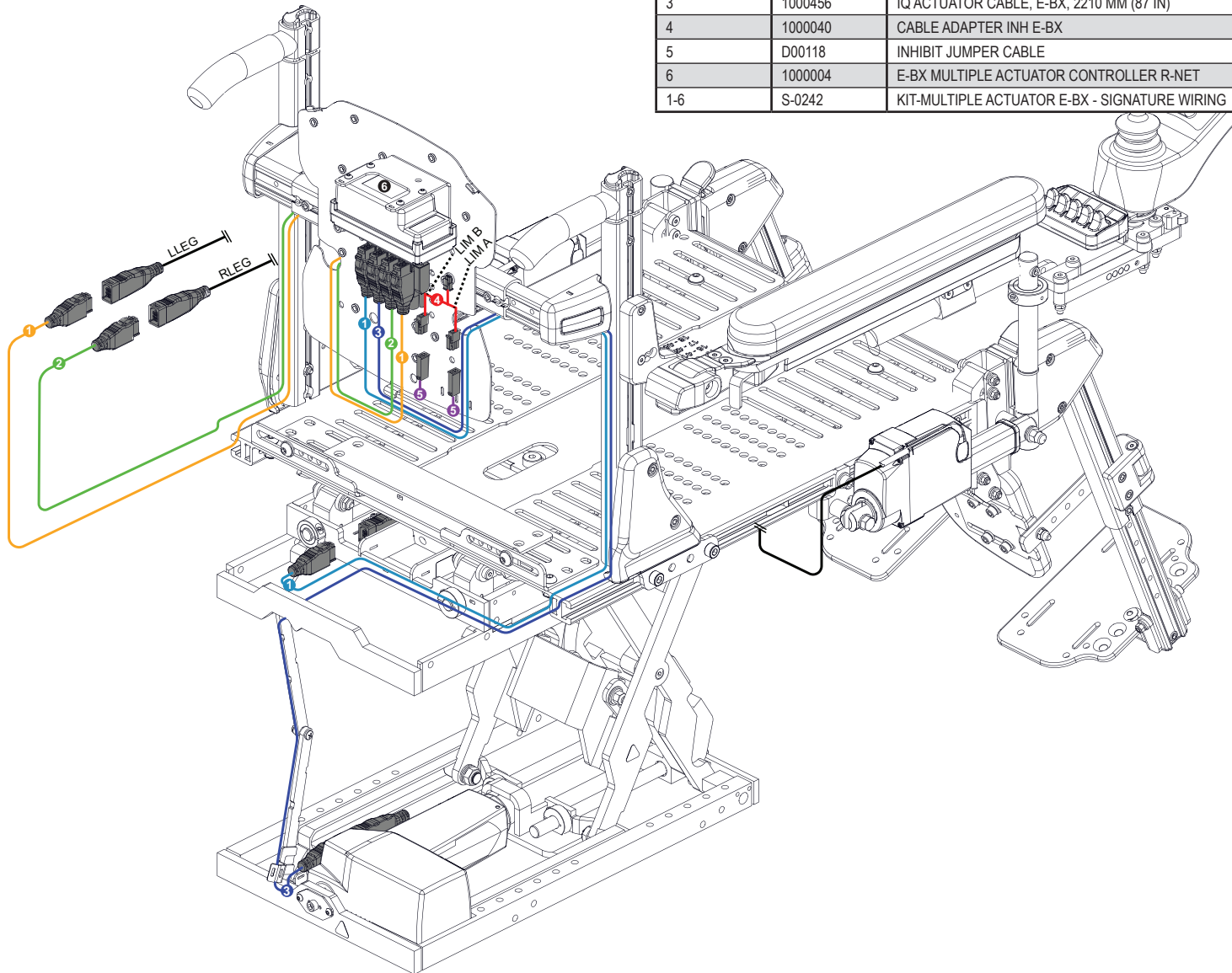


NOTE 1: PLUG IN CH6 IF THE FOOTBOARD HAS ONLY ONE ACTUATOR.

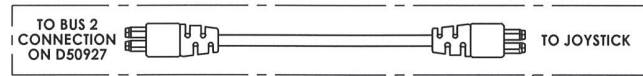


POWER SEAT FUNCTION - MAC-A-TLLE-EBX / MACD-A-TLLE-EBX / MPF-A-TLLE-EBX

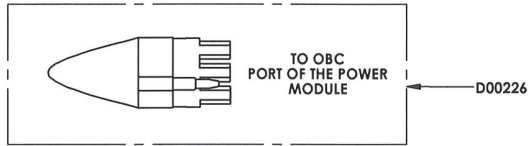
PART #	ITEM #	DESCRIPTION	EFFECTIVE
1	1000454	IQ ACTUATOR CABLE, E-BX, 1219MM (58 IN)	2019-04-11
2	1000455	IQ ACTUATOR CABLE, E-BX, 1778MM (70 IN)	2019-04-11
3	1000456	IQ ACTUATOR CABLE, E-BX, 2210 MM (87 IN)	2019-04-11
4	1000040	CABLE ADAPTER INH E-BX	2017-09-28
5	D00118	INHIBIT JUMPER CABLE	2012-11-26
6	1000004	E-BX MULTIPLE ACTUATOR CONTROLLER R-NET	2020-02-06
1-6	S-0242	KIT-MULTIPLE ACTUATOR E-BX - SIGNATURE WIRING	2020-02-10



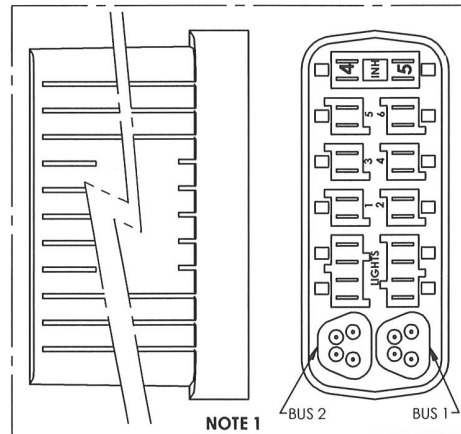
TILT LH + RH LEG ELEVATE- RNET		
PART #	DESCRIPTION	EFFECTIVE
EF14-0021	MULTIPLE POWER OPT - TILT LH + RH LEG ELEVATE- RNET	



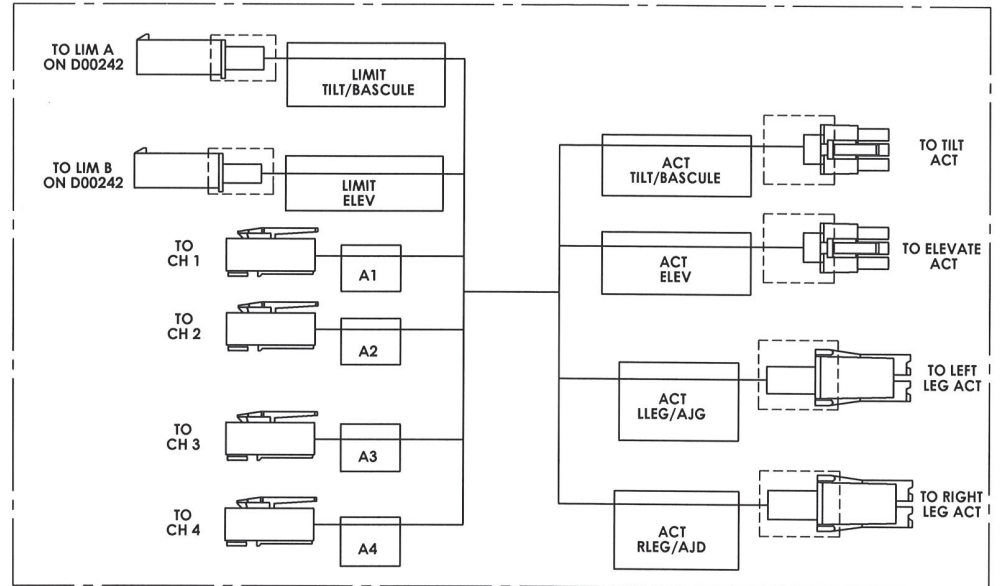
D00169



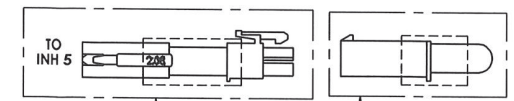
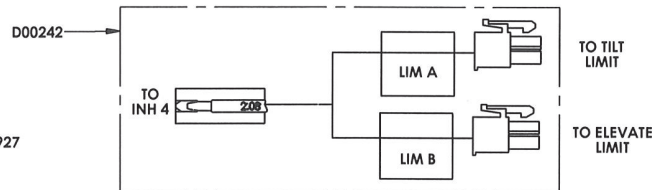
D00226



D50927



D00319

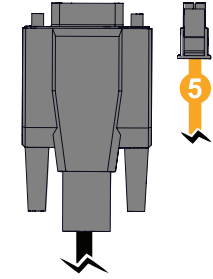
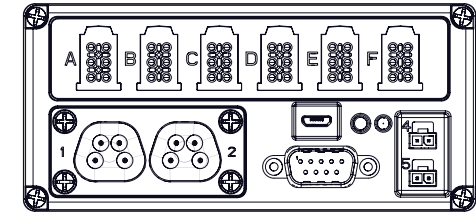
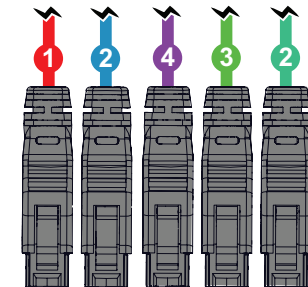
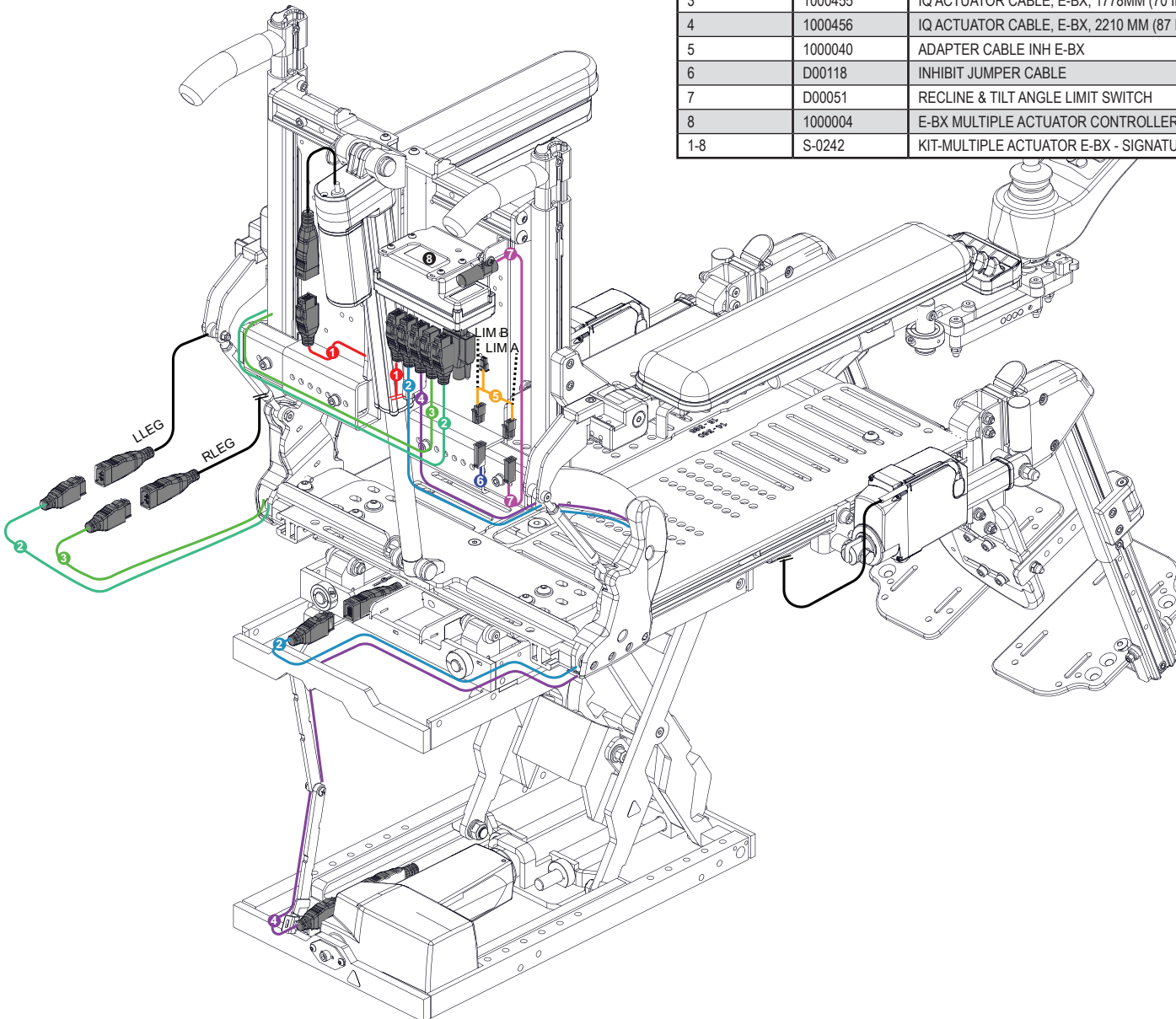


D00217

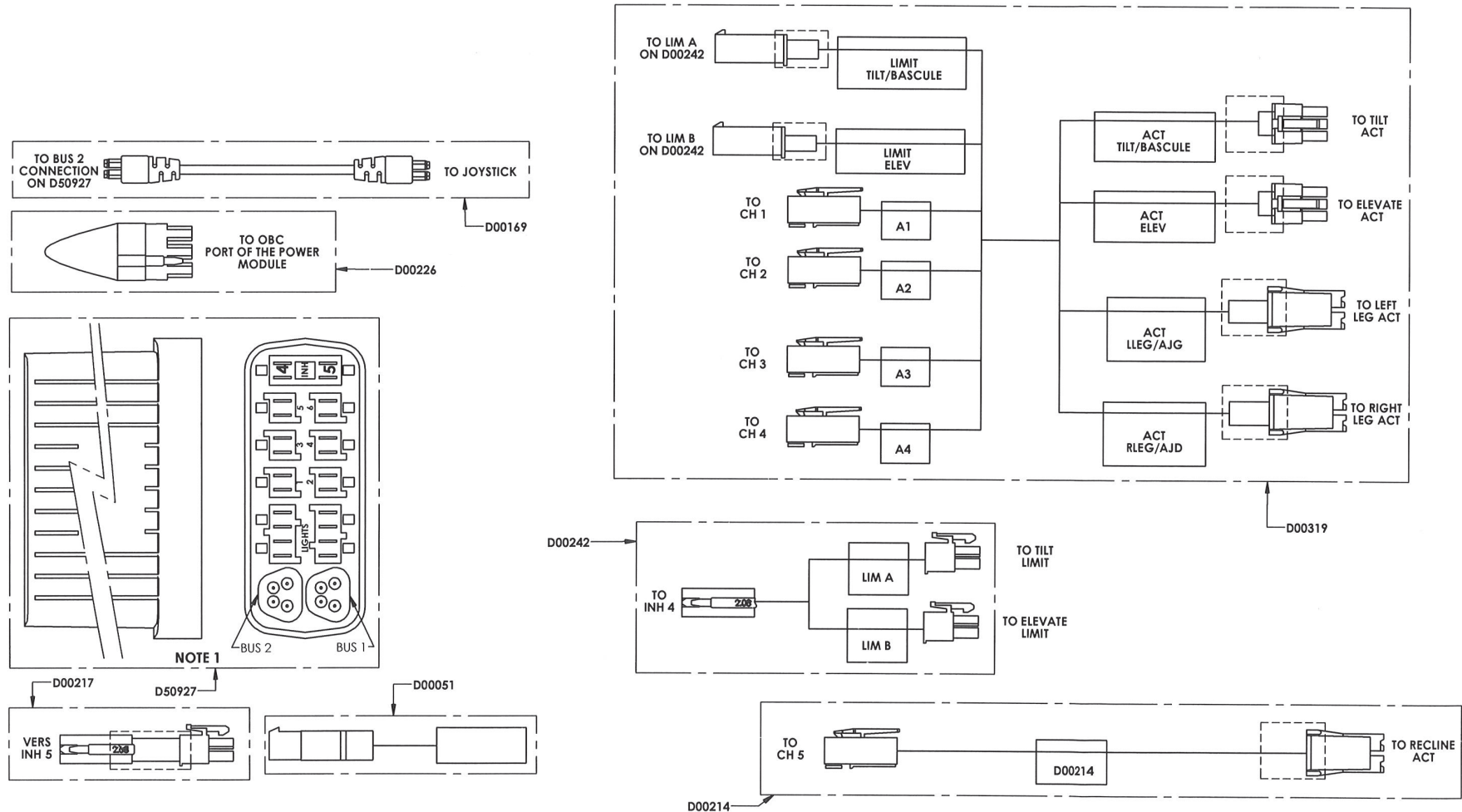
D00051

POWER SEAT FUNCTION - MAC-A-TRLLE-EBX / MACD-A-TRLLE-EBX / MPF-A-TRLLE-EBX

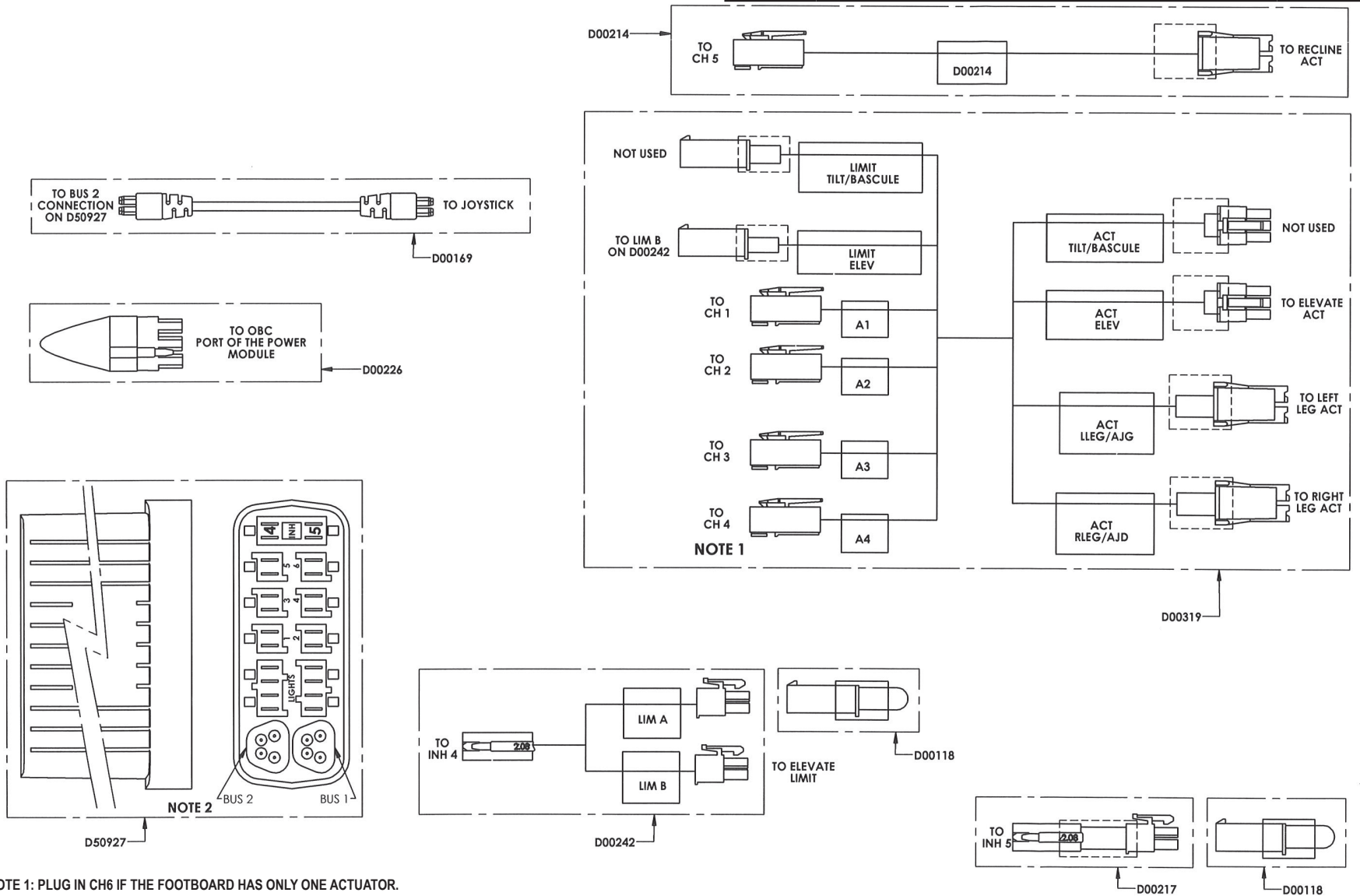
PART #	ITEM #	DESCRIPTION	EFFECTIVE
1	1000453	IQ ACTUATOR CABLE, E-BX, 355MM (14 IN)	2019-06-03
2	1000454	IQ ACTUATOR CABLE, E-BX, 1219MM (58 IN)	2019-04-11
3	1000455	IQ ACTUATOR CABLE, E-BX, 1778MM (70 IN)	2019-04-11
4	1000456	IQ ACTUATOR CABLE, E-BX, 2210 MM (87 IN)	2019-04-11
5	1000040	ADAPTER CABLE INH E-BX	2017-09-28
6	D00118	INHIBIT JUMPER CABLE	2012-11-26
7	D00051	RECLINE & TILT ANGLE LIMIT SWITCH	2019-10-03
8	1000004	E-BX MULTIPLE ACTUATOR CONTROLLER RNET	2020-02-06
1-8	S-0242	KIT-MULTIPLE ACTUATOR E-BX - SIGNATURE WIRING	2020-02-10



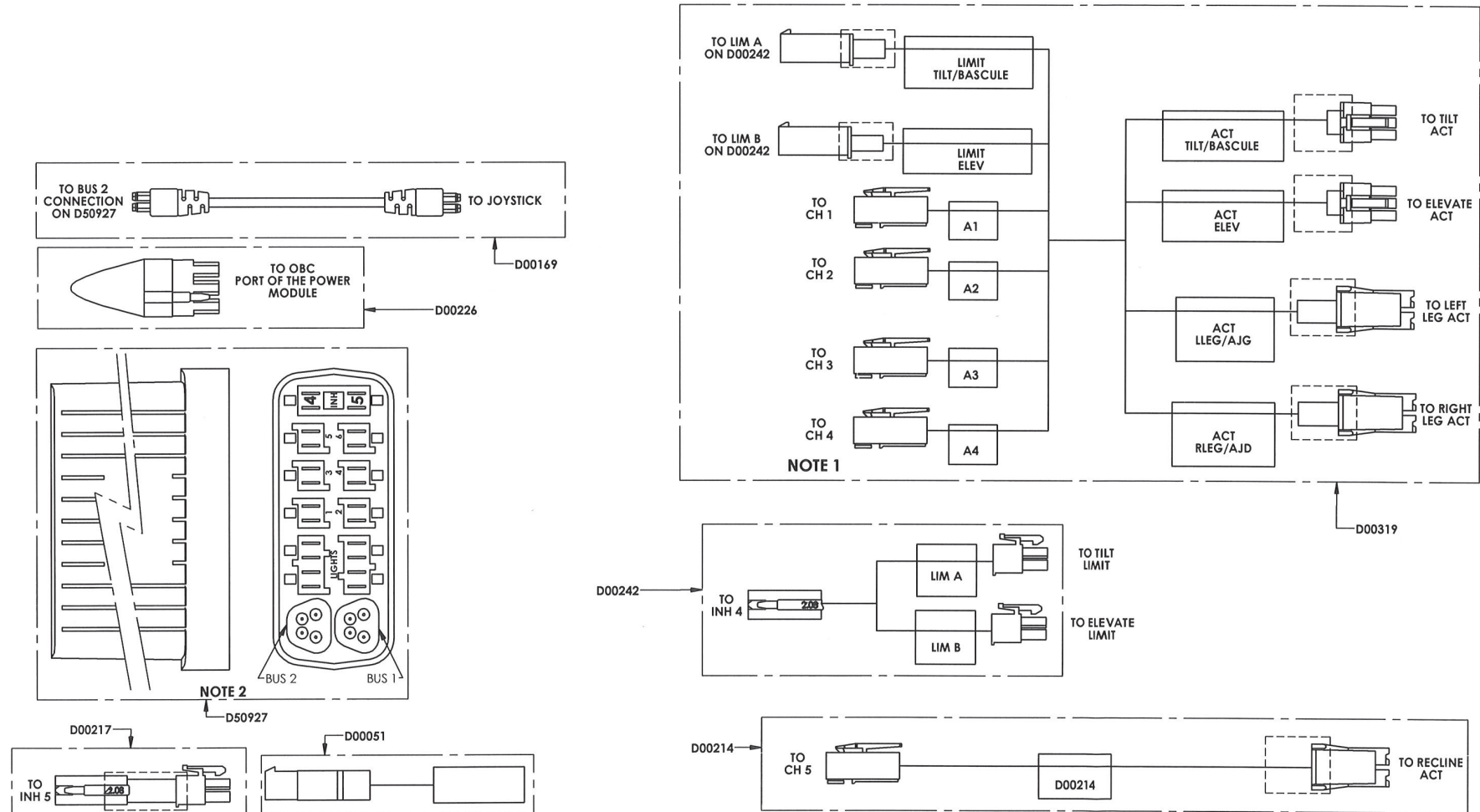
TILT RECLINE LH + RH LEG ELEVATE - RNET		
PART #	DESCRIPTION	EFFECTIVE
EF16-0003	MULTIPLE POWER OPT - TILT RECLINE LH + RH LEG ELEVATE - RNET	



RECLINE FOOTBOARD ELEVATE - RNET		
PART #	DESCRIPTION	EFFECTIVE
EF14-0024	MULTIPLE POWER OPT - RECLINE FOOTBOARD ELEVATE - RNET	



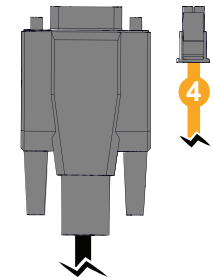
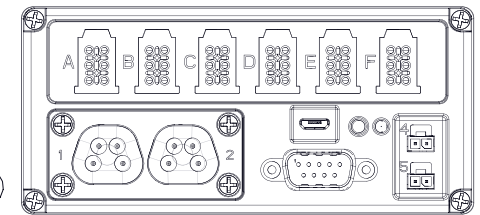
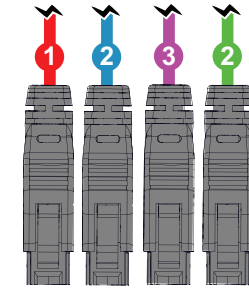
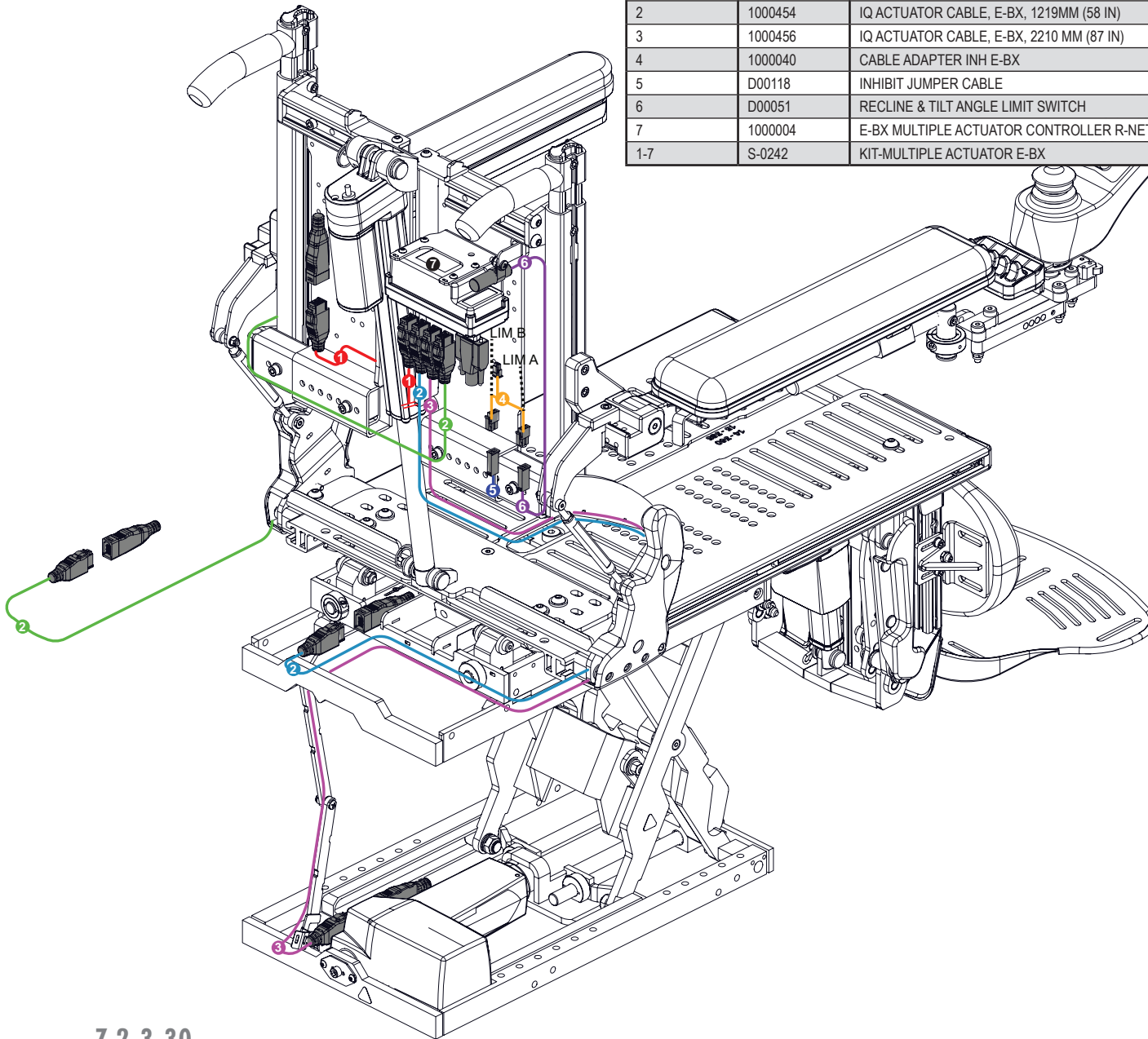
TILT RECLINE FOOTBOARD ELEVATE - RNET		
PART #	DESCRIPTION	EFFECTIVE
EF16-0004	MULTIPLE POWER OPT - TILT RECLINE FOOTBOARD ELEVATE - RNET	



NOTE 1: PLUG IN CH6 IF THE FOOTBOARD HAS ONLY ONE ACTUATOR.

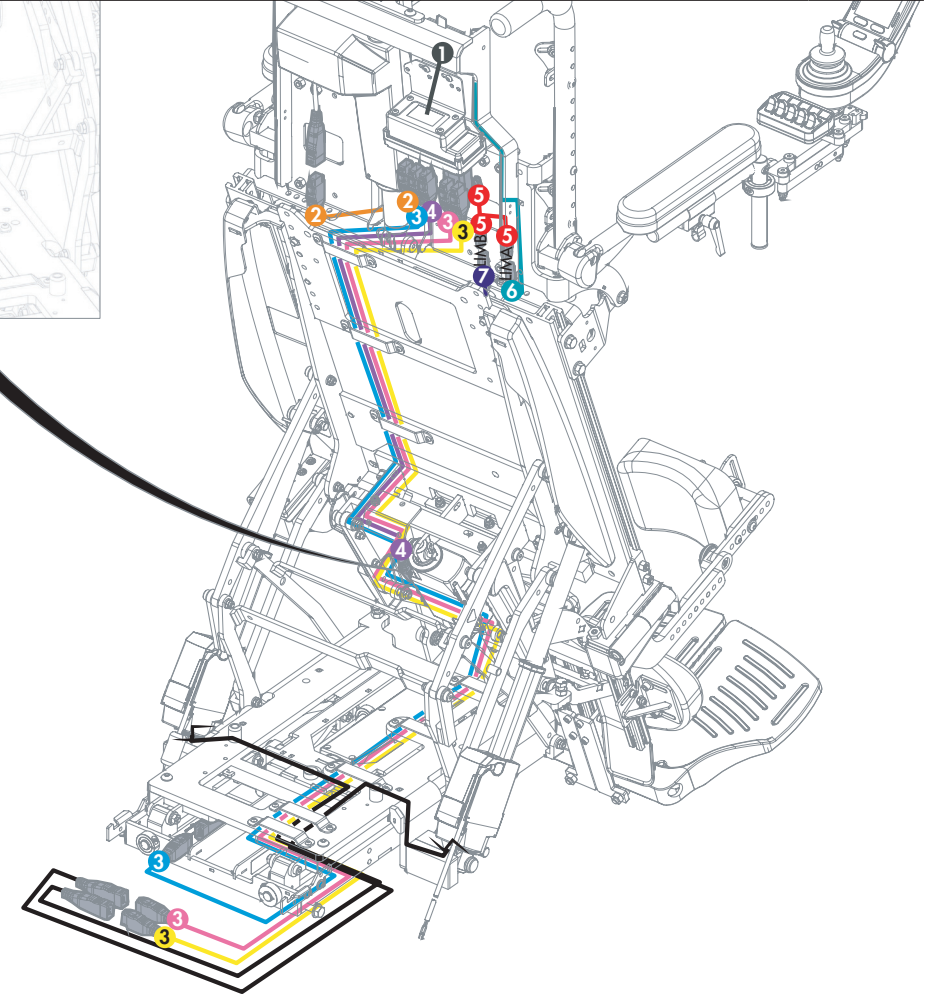
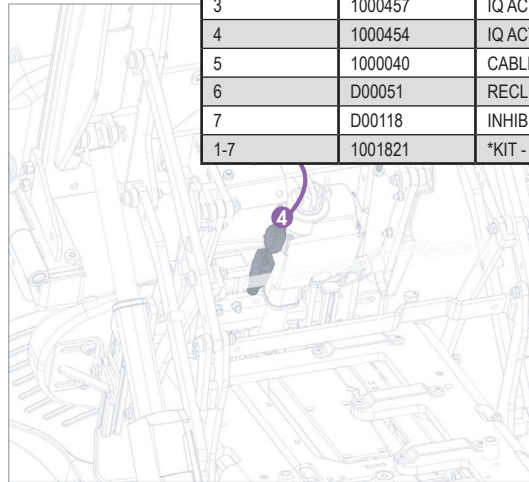
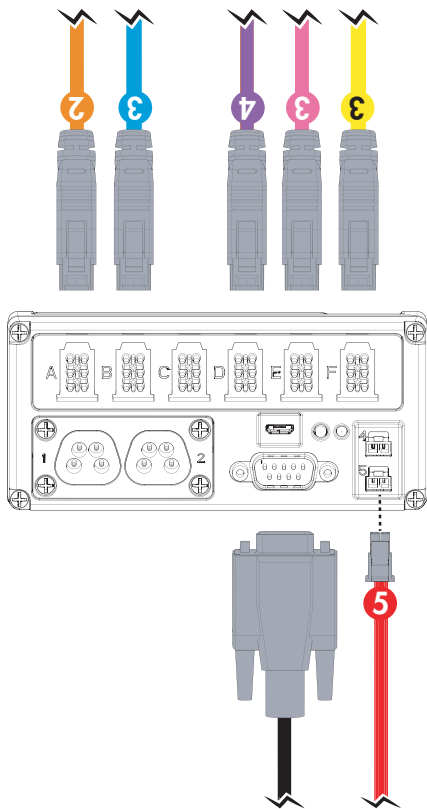
POWER SEAT FUNCTION - MAC-A-TRFE-EBX / MPF-A-TRFE-EBX

PART #	ITEM #	DESCRIPTION	EFFECTIVE
1	1000453	IQ ACTUATOR CABLE, E-BX, 355MM (14 IN)	2020-02-06
2	1000454	IQ ACTUATOR CABLE, E-BX, 1219MM (58 IN)	2019-06-03
3	1000456	IQ ACTUATOR CABLE, E-BX, 2210 MM (87 IN)	2020-02-04
4	1000040	CABLE ADAPTER INH E-BX	2017-09-28
5	D00118	INHIBIT JUMPER CABLE	2012-11-26
6	D00051	RECLINE & TILT ANGLE LIMIT SWITCH	2019-10-03
7	1000004	E-BX MULTIPLE ACTUATOR CONTROLLER R-NET	2020-02-06
1-7	S-0242	KIT-MULTIPLE ACTUATOR E-BX	2020-03-12



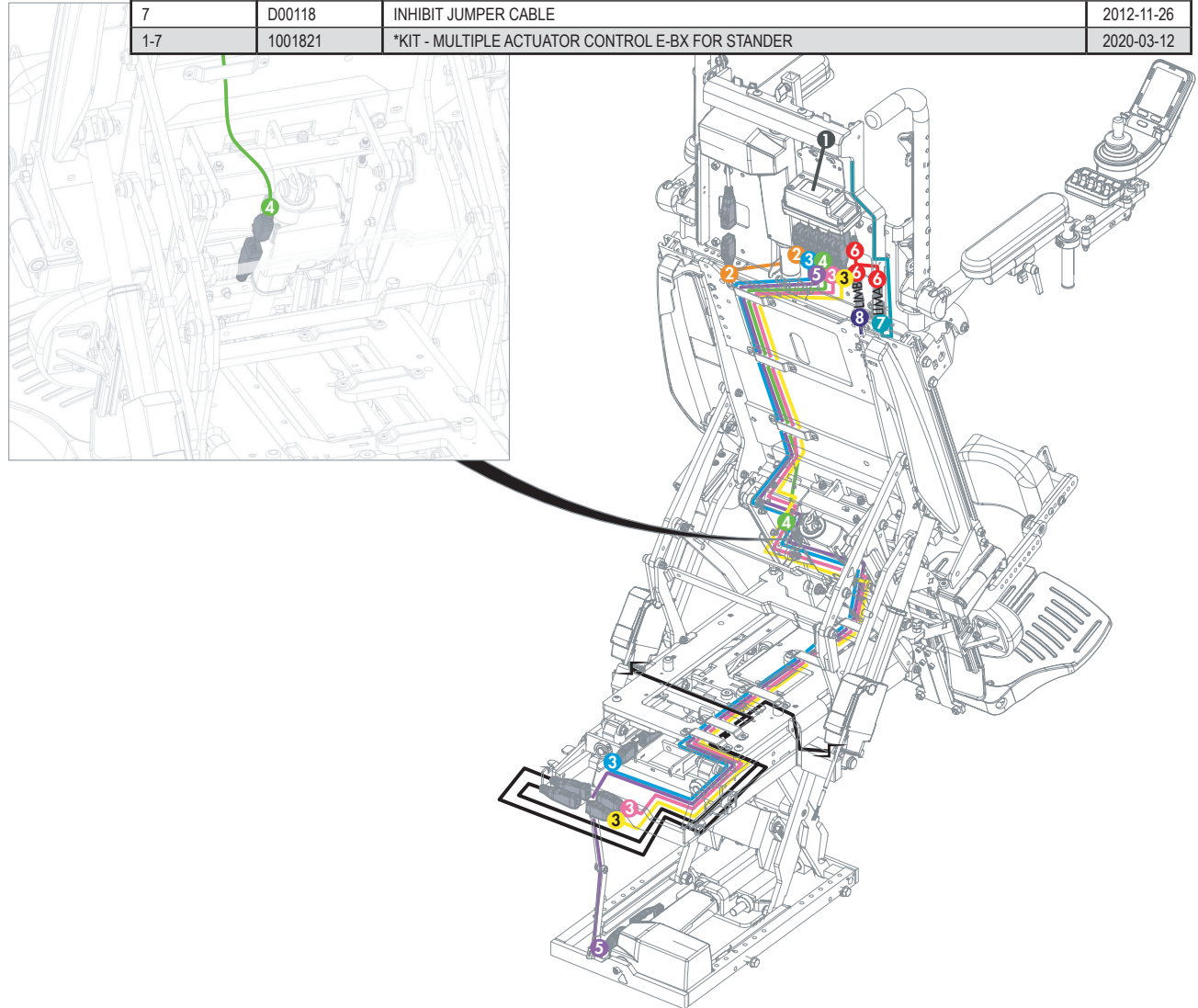
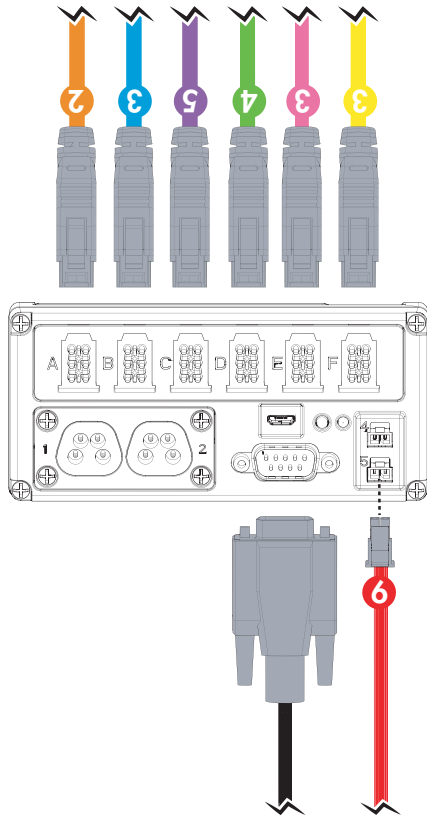
POWER SEAT FUNCTION - MAC-A-TRFS-EBX

PART #	ITEM #	DESCRIPTION	EFFECTIVE
1	1000004	E-BX MULTIPLE ACTUATOR CONTROLLER R-NET	2020-02-06
2	1000453	IQ ACTUATOR CABLE, E-BX	2019-06-03
3	1000457	IQ ACTUATOR CABLE, E-BX, 2870MM (113 IN)	2020-02-04
4	1000454	IQ ACTUATOR CABLE, E-BX, 1219MM (58 IN)	2019-04-11
5	1000040	CABLE ADAPTER INH E-BX	2017-09-28
6	D00051	RECLINE & TILT ANGLE LIMIT SWITCH	2019-10-03
7	D00118	INHIBIT JUMPER CABLE	2012-11-26
1-7	1001821	*KIT - MULTIPLE ACTUATOR CONTROL E-BX FOR STANDER	2020-03-12

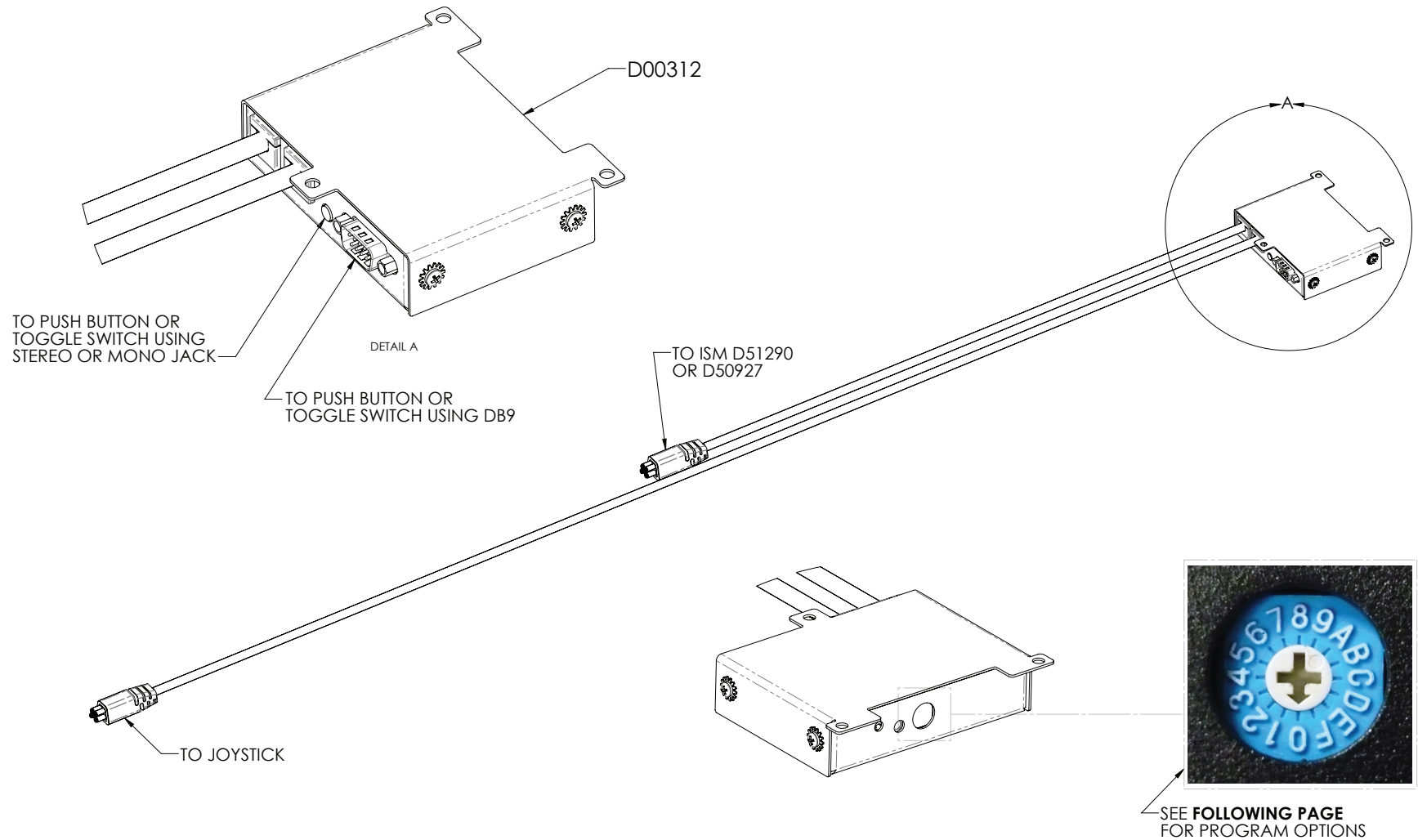


POWER SEAT FUNCTION - MAC-A-TRFES-EBX

PART #	ITEM #	DESCRIPTION	EFFECTIVE
1	1000004	E-BX MULTIPLE ACTUATOR CONTROLLER R-NET	2020-02-06
2	1000453	IQ ACTUATOR CABLE, E-BX	2019-06-03
3	1000454	IQ ACTUATOR CABLE, E-BX, 1219MM (58 IN)	2020-02-04
4	1000457	IQ ACTUATOR CABLE, E-BX, 2870MM (113 IN)	2019-04-11
5	1000040	CABLE ADAPTER INH E-BX	2017-09-28
6	D00051	RECLINE & TILT ANGLE LIMIT SWITCH	2019-10-03
7	D00118	INHIBIT JUMPER CABLE	2012-11-26
1-7	1001821	*KIT - MULTIPLE ACTUATOR CONTROL E-BX FOR STANDER	2020-03-12



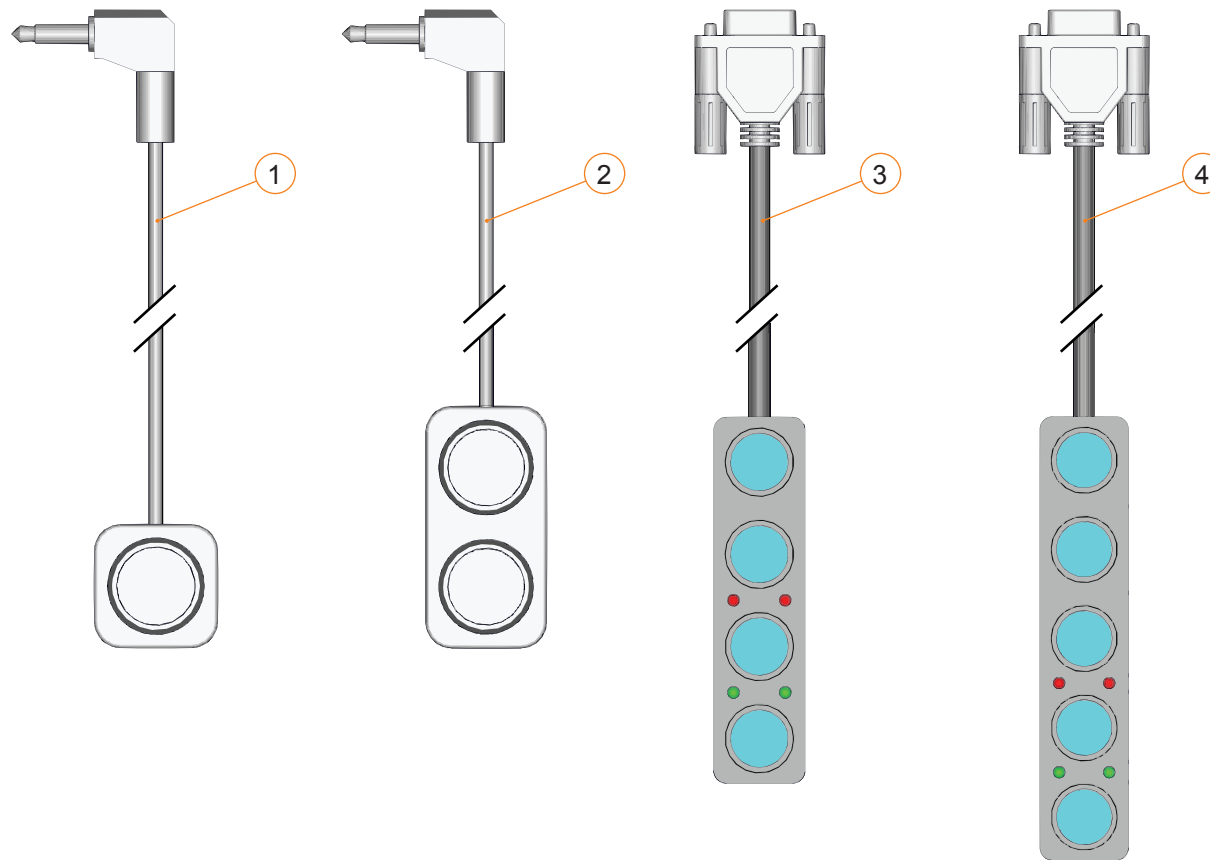
EXTERNAL ACTIVATION INTERFACE BOX - RNET		
PART #	DESCRIPTION	EFFECTIVE
EC-0267	EXTERNAL ACTIVATION INTERFACE BOX - RNET	



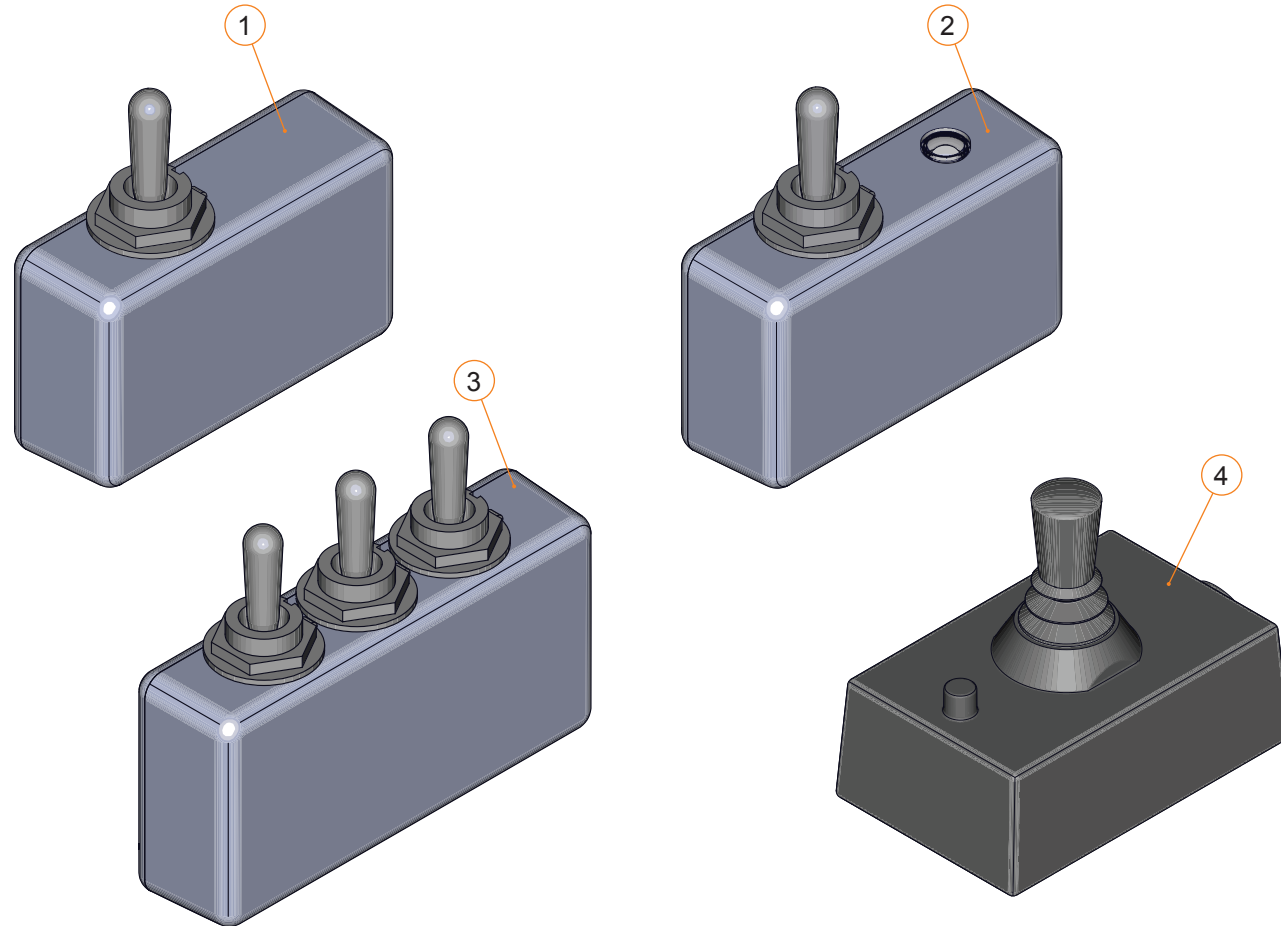
EXTERNAL ACTIVATION INTERFACE BOX - RNET		
PART #	DESCRIPTION	EFFECTIVE
EC-0267	EXTERNAL ACTIVATION INTERFACE BOX - RNET	

PROGRAM POSSIBILITIES								
ROTARY SWITCH	MONO 3.5mm	STEREO 3.5mm		DB9				
		BUTTON 1	BUTTON 2	BUTTON 1	BUTTON 2	BUTTON 3	BUTTON 4	BUTTON 5
0	NOT USED	NOT USED	NOT USED	NOT USED	NOT USED	NOT USED	NOT USED	NOT USED
1	TILT TOGGLE			TILT NEUTRAL	TILT	RECLINE NEUTRAL	RECLINE	
2	RECLINE TOGGLE			TILT NEUTRAL	TILT	ELEVATE NEUTRAL	ELEVATE	
3	ELEVATE TOGGLE			RECLINE NEUTRAL	RECLINE	ELEVATE NEUTRAL	ELEVATE	
4		TILT NEUTRAL	TILT	TILT TOGGLE	RECLINE TOGGLE	LEFT LEG TOGGLE	RIGHT LEG TOGGLE	ELEVATE TOGGLE
5		RECLINE NEUTRAL	RECLINE	TILT TOGGLE	RECLINE TOGGLE	FOOTBOARD	ELEVATE TOGGLE	RECLINE / FOOTBOARD TOGGLE
6		ELEVATE NEUTRAL	ELEVATE	TILT TOGGLE	FOOTBOARD	ELEVATE TOGGLE		
7		TILT TOGGLE	RECLINE TOGGLE	TILT TOGGLE	RECLINE TOGGLE	ELEVATE TOGGLE	LEGS TOGGLE	RECLINE/LEGS TOGGLE
8		TILT TOGGLE	ELEVATE TOGGLE	TILT TOGGLE	RECLINE TOGGLE	ANT TILT TOGGLE		
9		RECLINE TOGGLE	ELEVATE TOGGLE	TILT TOGGLE	RECLINE TOGGLE	LEFT LEG TOGGLE	RIGHT LEG TOGGLE	LEGS TOGGLE
A		LEFT LEG TOGGLE	RIGHT LEG TOGGLE	RECLINE TOGGLE	LEFT LEG TOGGLE	RIGHT LEG TOGGLE	ELEVATE TOGGLE	RECLINE/LEGS TOGGLE
B		FOOTBOARD NEUTRAL	FOOTBOARD	RECLINE TOGGLE	FOOTBOARD TOGGLE	ELEVATE TOGGLE	RECLINE/FOOTBOARD TOGGLE	
C		FOOTBOARD TOGGLE		LEFT LEG TOGGLE	RIGHT LEG TOGGLE	ELEVATE TOGGLE		
D		TILT TOGGLE	ANT TILT TOGGLE	ELEVATE TOGGLE	FOOTBOARD TOGGLE			
E		TILT TOGGLE	FOOTBOARD	TILT TOGGLE	RECLINE TOGGLE	LEGS TOGGLE	RECLINE/LEGS TOGGLE	ELEVATE TOGGLE
F	CUSTOM	CUSTOM	CUSTOM	CUSTOM	CUSTOM	CUSTOM	CUSTOM	CUSTOM

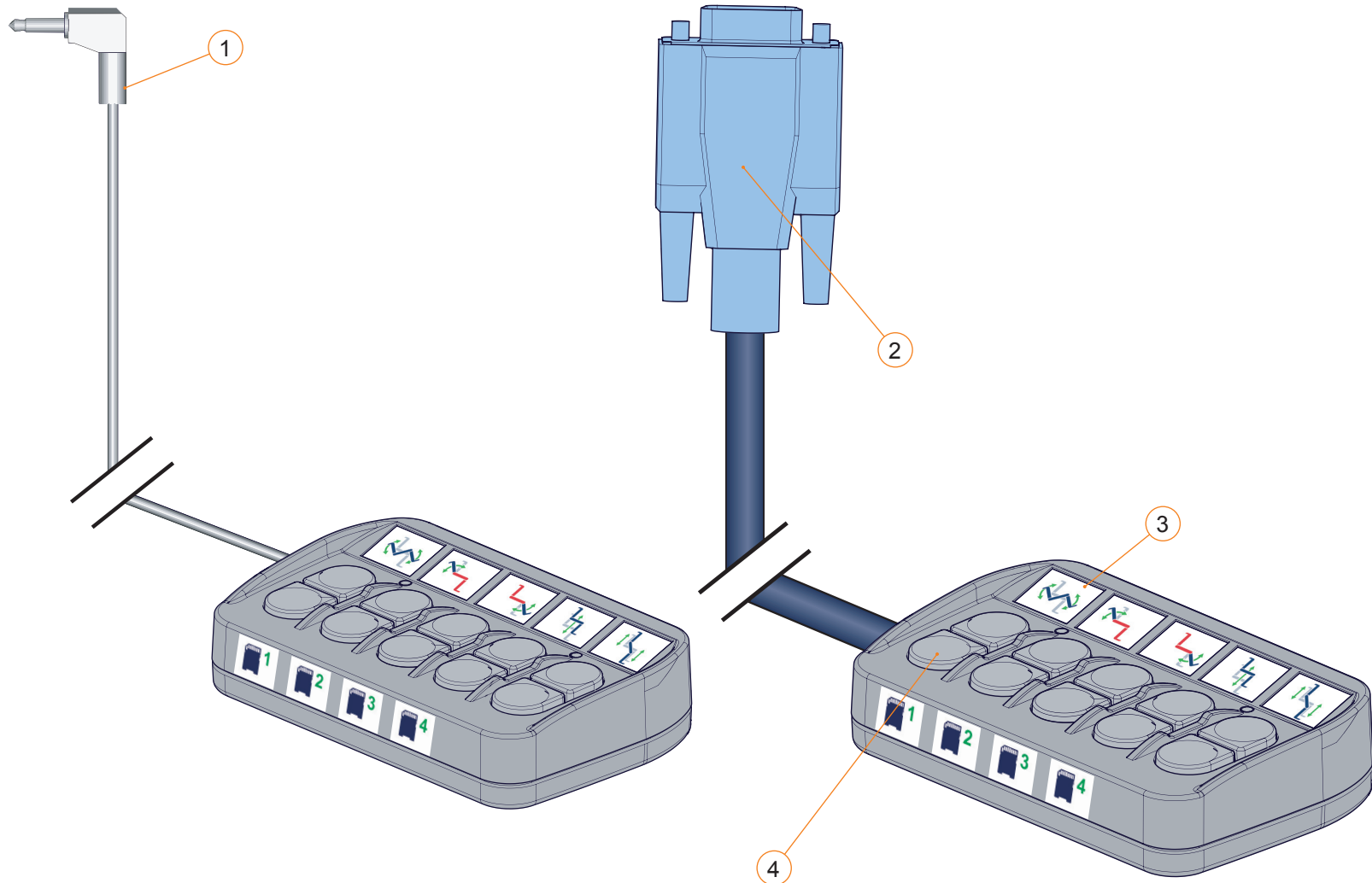
PUSH BUTTON			
ITEM #	PART #	DESCRIPTION	EFFECTIVE
1	D00082	SINGLE BLUE PUSH BUTTON, PHONO PLUG	2020-01-29
2	D00091	DUAL BLUE PUSH BUTTON, STEREO PHONO PLUG	2020-01-29
3	D00083	QUAD BLUE PUSH BUTTON, DB9 PLUG	2020-01-29
4	D00253	FIVE BLUE PUSH BUTTON, DB9 PLUG	2020-01-29



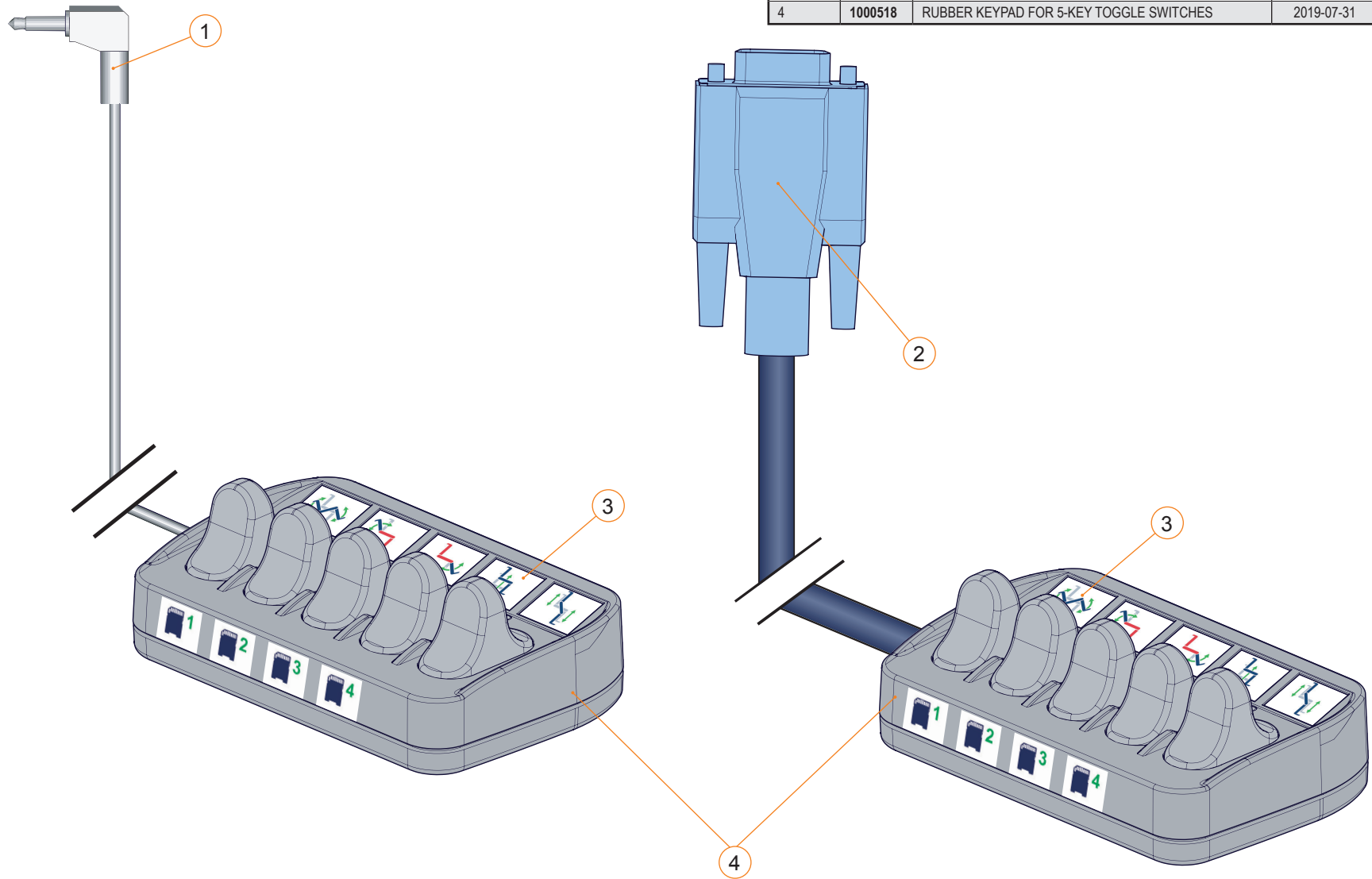
TOGGLE SWITCH			
ITEM #	PART #	DESCRIPTION	EFFECTIVE
1	D00048	SINGLE TOGGLE SWITCH, PHONO PLUG	2008-04-30
2	D00251	SINGLE TOGGLE SWITCH, DB9 PLUG	2009-02-27
3	D00252	TRIPPLE TOGGLE SWITCH, DB9 PLUG	2009-02-27
4	D00034	4 WAY TOGGLE SWITCH, DB9 PLUG	2008-04-30

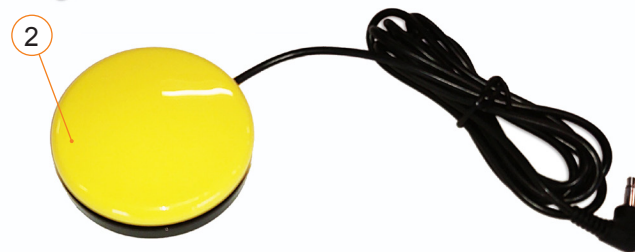


KEYPAD WITH PUSH BUTTON SWITCHES			
ITEM #	PART #	DESCRIPTION	EFFECTIVE
1	1001034	KEYPAD FOR 5 PUSH BUTTON SWITCHES - JSM2	2019-07-31
2	1000490	KEYPAD W/PUSH BUTTONS SWITCHES - E-BX	2019-07-31
3	1000521	PICTOGRAM LABEL, ACTUATOR SWITCH MODULE, E-BX	2019-07-31
4	1000517	RUBBER KEYPAD FOR 5-KEY PUSH BUTTON SWITCHES	2019-07-31



KEYPAD WITH TOGGLE SWITCHES			
ITEM #	PART #	DESCRIPTION	EFFECTIVE
1,3-4	1001040	KEYPAD FOR 5 TOGGLE SWITCHES - JSM2	2019-07-31
2-4	1000520	KEYPAD W/ TOGGLE SWITCHES - E-BX	2019-07-31
3	1000521	PICTOGRAM LABEL, ACTUATOR SWITCH MODULE, E-BX	2019-07-31
4	1000518	RUBBER KEYPAD FOR 5-KEY TOGGLE SWITCHES	2019-07-31





SPECIALITY SWITCHES			
ITEM #	PART #	DESCRIPTION	EFFECTIVE
1	D00220	SWITCH, BUDDY BUTTON, GREEN	2008-10-01
2	D00218	SWITCH, BUDDY BUTTON, YELLOW	2008-10-01
3A	D00219	SWITCH, BUDDY BUTTON, RED	2008-10-01
3B	1003944	EMERGENCY STOP SWITCH - RED	2022-02-01
4	D00300	SWITCH, BUDDY BUTTON, BLACK	2012-07-31
5	139915	EGG SWITCH	2018-09-14
6	D00043	SWITCH, MICRO-LITE, TASH	2008-04-30
7	D00160	EXTENSION, 6 FT, SINGLE SWITCH	2008-04-30