

**6.1 - VR2**

- 6.1.1 - VR2 CABLES**
  - VR2 JOYSTICK CABLES ..... 6.1.1.1
- 6.1.2 - VR2 JOYSTICK**
  - VR2 JOYSTICK ..... 6.1.2.1
- 6.1.3 - VR2 POWER MODULE**
  - VR2 POWER MODULE ..... 6.1.3.1
  - VR2 POWER MODULE ..... 6.1.3.2
- 6.1.4 - VR2 ATTENDANT JOYSTICK**
  - VR2 ATTENDANT JOYSTICK ..... 6.1.4.1

**6.2 - R-NET**

- 6.2.1 - R-NET BUS CABLES**
  - R-NET BUS CABLES..... 6.2.1.1
- 6.2.2 - R-NET JOYSTICKS**
  - R-NET EL JOYSTICKS ..... 6.2.2.1
  - R-NET COLOR JOYSTICKS ..... 6.2.2.2
  - R-NET ADVANCED JOYSTICK ..... 6.2.2.3
- 6.2.3 - R-NET POWER MODULE**
  - R-NET POWER MODULE..... 6.2.3.1
- 6.2.4 - R-NET ATTENDANT JOYSTICK**
  - R-NET ATTENDANT JOYSTICK ..... 6.2.4.1
- 6.2.5 - R-NET DISPLAY**
  - R-NET OMNI DISPLAY..... 6.2.5.1
  - R-NET OMNI 2 DISPLAY ..... 6.2.5.2
  - R-NET OMNI 2 INTERFACE MODULE ON RECLINING BACK ..... 6.2.5.3
  - R-NET OMNI 2 INTERFACE MODULE ON FIXED BACK ..... 6.2.5.4
  - R-NET OMNI 2 CHARGER EXTENSION ..... 6.2.5.5
  - R-NET OMNI 2 HARNESS..... 6.2.5.6
- 6.2.6 - ENVIRONMENTAL CONTROL UNIT**
  - R-NET IOM MODULE ..... 6.2.6.1
- 6.2.7 - POWER SEATING CONTROLLERS**
  - INTELLIGENT SEATING MODULE (ISM)..... 6.2.7.1
  - CONTROLLER MODULE, E-BX, R-NET VERSION..... 6.2.7.2
  - E-BX MULTIPLE ACTUATOR CONTROLLER ..... 6.2.7.3
  - E-BX MULTI..... 6.2.7.4

**6.2.8 - WIRELESS COMMUNICATIONS MODULES**

- R-NET BLUETOOTH MODULE..... 6.2.8.1

**6.2.9 - ASSISTIVE DRIVING PACKAGE**

- SMART TRACK MOTOR ENCODERS ..... 6.2.9.1
- ENCODERS FOR SMART TRACK MOTORS 5.4 MPH AND 8.5 MPH, SRG04 ..... 6.2.9.2
- SMART TRACK, LINUX MOTOR ENCODERS - **New**..... 6.2.9.3

**6.3 - LIGHTS**

**6.3.1 - STANDARD LIGHTS**

- REAR POSITION LIGHT ..... 6.3.1.1

**6.3.2 - LED LIGHTS**

- LED LIGHT PACKAGE, R-NET OR VR2 ..... 6.3.2.1
- LED LIGHT PACKAGE WITH ELECTRO. FIXED BACK, R-NET ..... 6.3.2.2
- LED LIGHT PACKAGE WITH ELECTRO. FIXED BACK, R-NET ..... 6.3.2.3
- LED LIGHT PACKAGE WITH ELECTRO., RECL. BACK, R-NET ..... 6.3.2.4
- LED LIGHT PACKAGE WITH ELECTRO., RECL. BACK, R-NET ..... 6.3.2.5
- LED LIGHT PACKAGE, VR2 ..... 6.3.2.6
- LED LIGHT PACKAGE, VR2 ..... 6.3.2.7
- LED LIGHT PACKAGE WITH ELECTRO., STANDER, R-NET E-BX..... 6.3.2.5

**6.4 - PROGRAMMERS**

**6.4.1 -VR2**

- VR2 PROGRAMMER & PCP KIT..... 6.4.1.1

**6.4.2 - R-NET**

- R-NET - PROGRAMMER & PCP KIT ..... 6.4.2.1
- R-NET - PROGRAMMER & PCP KIT ..... 6.4.2.2
- R-NET WIFI PROGRAMMER ..... 6.4.2.3

**6.5 - BATTERIES**

**6.5.1 -BATTERY HARNESS**

- BATTERY HARNESS AND COVER KIT ..... 6.5.1.1
- BATTERIES AND BATTERY HARNESS ..... 6.5.1.2
- BATTERIES AND BATTERY HARNESS ..... 6.5.1.3
- BATTERY CHARGER..... 6.5.1.4

**6.6 - JOYSTICK ACCESSORIES**

**6.6.1 -JOYSTICK KNOBS**

- STANDARD JOYSTICK KNOBS ..... 6.6.1.1
- CUSTOM JOYSTICK KNOBS..... 6.6.1.2

LEGEND

**CURRENT**

• These parts and assemblies are currently being produced and delivered.\*

**SERVICEABLE PARTS**

• These parts and assemblies are not currently being produced or delivered on new chairs, but they are available as replacement service parts.\*

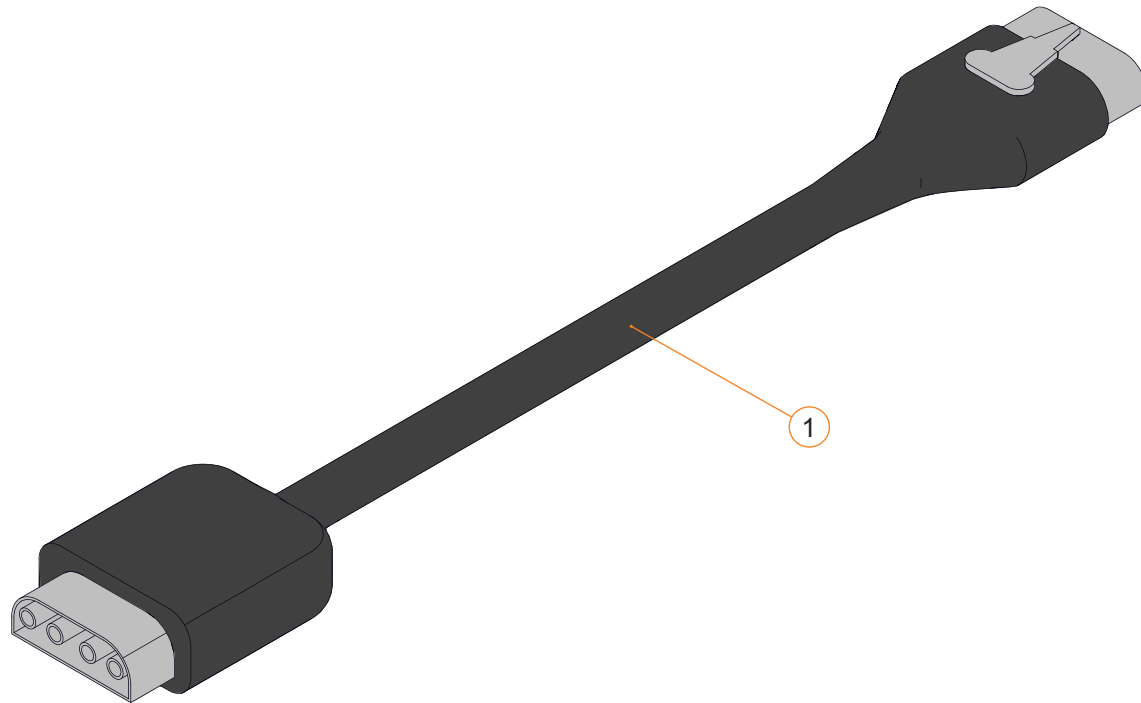
**DISCONTINUED**

• These parts and assemblies are no longer being produced or delivered on new chairs, and they are not available as replacement service parts.\*

\* Please contact Technical Support for information on the replacement parts and assemblies.

VR2 CABLES - SECTION 6.1.1

| VR2 JOYSTICK CABLES |        |                     |            |
|---------------------|--------|---------------------|------------|
| ITEM #              | PART # | DESCRIPTION         | EFFECTIVE  |
| 1A                  | D00230 | VR2 20 IN BUS CABLE | 2012-04-02 |
| 1B                  | D00209 | VR2 40 IN BUS CABLE | 2012-04-02 |
| 1C                  | D00289 | VR2 76 IN BUS CABLE | 2012-04-02 |



VR2 JOYSTICK - SECTION 6.1.2

| VR2 JOYSTICK   |        |   |            |
|----------------|--------|---|------------|
| ITEM #         | PART # | DESCRIPTION                               | EFFECTIVE  |
| 1              | B00313 | VR2 9-KEY JOYSTICK REPLACEMENT KEYPAD     | 2011-08-08 |
| 2              | B00333 | STANDARD JOYSTICK KNOB                    | 2011-08-08 |
| 3              | B00332 | JOYSTICK GAITER                           | 2011-08-08 |
| 4              | B00310 | VR2 9-KEY JOYSTICK CABLE AND CHARGER PORT | 2011-08-08 |
| 6              | B00309 | VR2 JOYSTICK CABLE AND CHARGER PORT       | 2011-08-08 |
| 7              | B00312 | VR2 6-KEY JOYSTICK REPLACEMENT KEYPAD     | 2011-08-08 |
| 9              | B00311 | VR2 4-KEY JOYSTICK REPLACEMENT KEYPAD     | 2011-08-08 |
| 2, 3, 6, 9, 10 | D50677 | VR2 4-KEY JOYSTICK                        | 2010-02-25 |
| 2, 3, 6, 7, 8  | D50680 | VR2 6-KEY JOYSTICK                        | 2010-02-25 |
| 1-5            | D50871 | VR2 9-KEY JOYSTICK                        | 2010-02-25 |



VR2 POWER MODULE - SECTION 6.1.3

| VR2 POWER MODULE |        |                        |            |
|------------------|--------|------------------------|------------|
| ITEM #           | PART # | DESCRIPTION            | EFFECTIVE  |
| 1                | D51086 | VR2 90AMP POWER MODULE | 2008-05-28 |



VR2 POWER MODULE - SECTION 6.1.3

| VR2 POWER MODULE |        |                        |            |
|------------------|--------|------------------------|------------|
| ITEM #           | PART # | DESCRIPTION            | EFFECTIVE  |
| 1                | D51892 | VR2 90AMP POWER MODULE | 2023-07-01 |



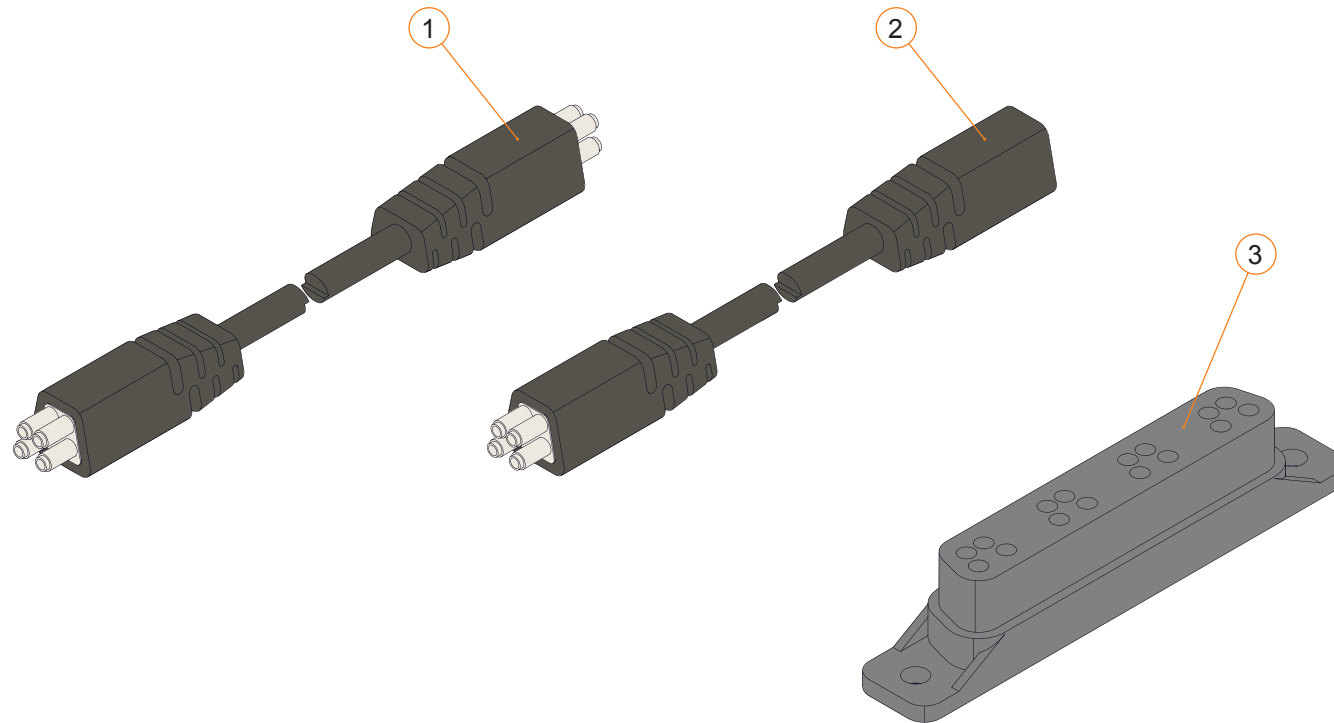
VR2 ATTENDANT JOYSTICK - SECTION 6.1.4

| VR2 ATTENDANT JOYSTICK |         |                            |            |
|------------------------|---------|----------------------------|------------|
| ITEM #                 | PART #  | DESCRIPTION                | EFFECTIVE  |
| 1                      | D00267  | VR2 ATTENDANT BUS CABLE    | 2009-10-16 |
| 2                      | D50872  | VR2 ATTENDANT JOYSTICK     | 2009-05-01 |
| 1-2                    | EC-0271 | VR2 ATTENDANT JOYSTICK KIT | 2016-03-24 |



R-NET BUS CABLES - SECTION 6.2.1

| R-NET BUS CABLES |        |                                   |            |
|------------------|--------|-----------------------------------|------------|
| ITEM #           | PART # | DESCRIPTION                       | EFFECTIVE  |
| 1A               | D00168 | R-NET 0.5M BUS CABLE, MALE-MALE   | 2008-04-30 |
| 1B               | D00169 | R-NET 1.0M BUS CABLE, MALE-MALE   | 2008-04-30 |
| 1C               | D00170 | R-NET 1.2M BUS CABLE, MALE-MALE   | 2008-04-30 |
| 1D               | D00171 | R-NET 1.5M BUS CABLE, MALE-MALE   | 2008-04-30 |
| 1E               | D00172 | R-NET 2.0M BUS CABLE, MALE-MALE   | 2008-04-30 |
| 1F               | D00173 | R-NET 2.5M BUS CABLE, MALE-MALE   | 2008-04-30 |
| 1G               | D00323 | R-NET 3.5M BUS CABLE, MALE-MALE   | 2016-08-04 |
| 2                | D00231 | R-NET 1.0M BUS CABLE, MALE-FEMALE | 2008-04-30 |
| 3                | D50829 | R-NET BUS BAR                     | 2009-03-06 |



R-NET JOYSTICKS - SECTION 6.2.2



| R-NET EL JOYSTICKS |        |  |            |
|--------------------|--------|--|------------|
| ITEM #             | PART # | DESCRIPTION                                    | EFFECTIVE  |
| 1                  | B00300 | R-NET EL W/ LIGHTS JOYSTICK REPLACEMENT KEYPAD | 2011-08-08 |
| 2                  | B00333 | STANDARD JOYSTICK KNOB                         | 2011-08-08 |
| 3                  | B00332 | JOYSTICK GAITER                                | 2011-08-08 |
| 4                  | B00392 | R-NET EL JOYSTICK CABLE AND CHARGER PORT       | 2016-11-30 |
| 6                  | B00299 | R-NET EL JOYSTICK REPLACEMENT KEYPAD           | 2011-08-08 |
| 2-4, 6, 7          | D51315 | R-NET EL JOYSTICK WITH 700 MM CABLE            | 2014-04-16 |
| 1-5                | D51316 | R-NET EL JOYSTICK LIGHT WITH 700 MM CABLE      | 2014-04-16 |

| R-NET COLOR JOYSTICKS |        |   |            |
|-----------------------|--------|---|------------|
| ITEM #                | PART # | DESCRIPTION                                       | EFFECTIVE  |
| 1                     | B00303 | R-NET JOYSTICK REPLACEMENT FRONT KEYPAD W/ LIGHTS | 2011-08-08 |
| 2                     | B00304 | R-NET JOYSTICK REPLACEMENT REAR KEYPAD W/ LIGHTS  | 2011-08-08 |
| 3                     | B00333 | STANDARD JOYSTICK KNOB                            | 2011-08-08 |
| 4                     | B00332 | JOYSTICK GAITER                                   | 2011-08-08 |
| 5                     | B00375 | R-NET JOYSTICK CABLE                              | 2016-11-30 |
| 8                     | B00302 | R-NET JOYSTICK REPLACEMENT REAR KEYPAD            | 2011-08-08 |
| 9                     | B00301 | R-NET JOYSTICK REPLACEMENT FRONT KEYPAD           | 2011-08-08 |
| 3-5, 8-10             | D51528 | R-NET COLOR JOYSTICK, W/ 700 MM CABLE             | 2014-04-16 |
| 1-5, 7                | D51531 | R-NET COLOR JOYSTICK, W/LIGHTS, W/ 700 MM CABLE   | 2014-04-16 |





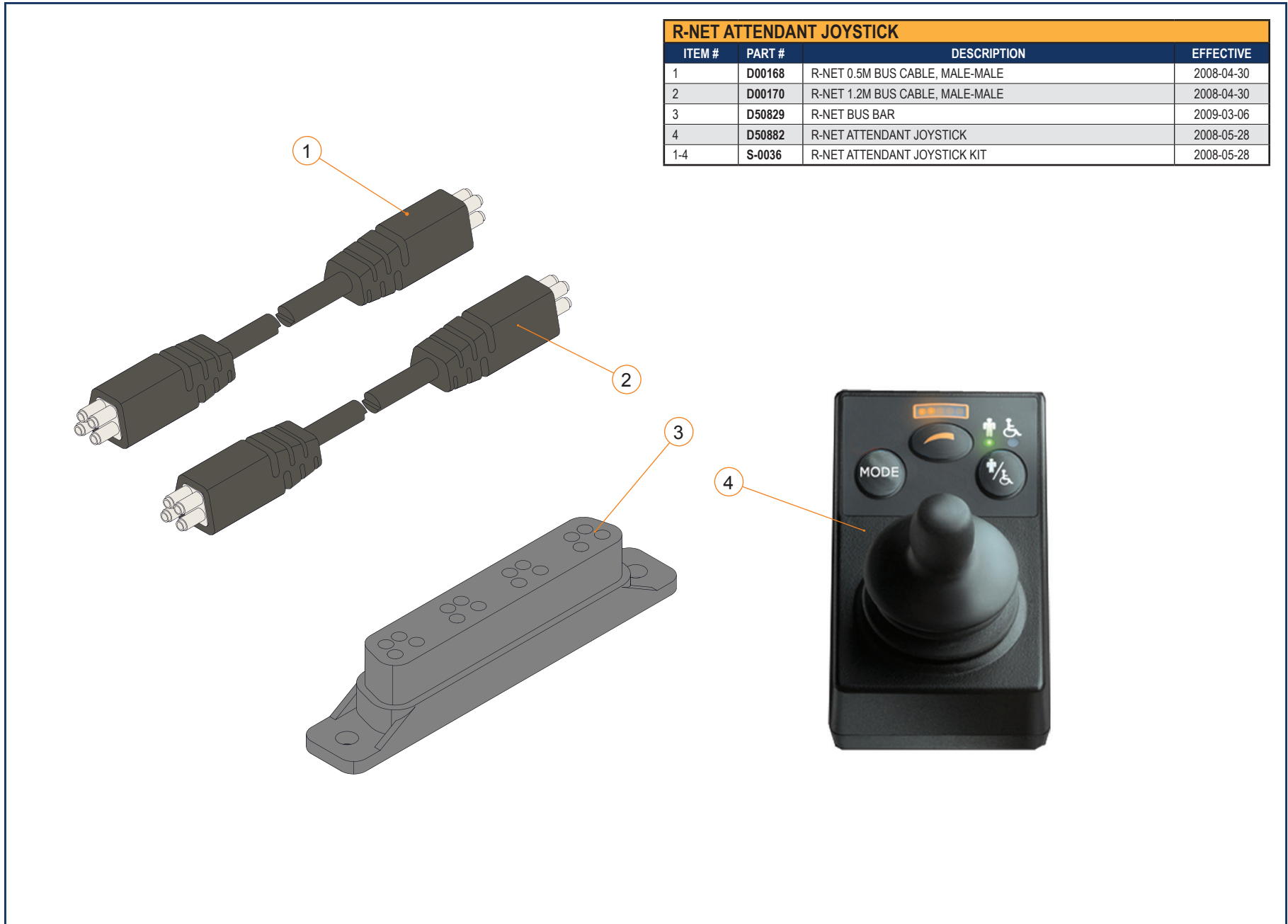
| R-NET ADVANCED JOYSTICKS |        |   |            |
|--------------------------|--------|---|------------|
| ITEM #                   | PART # | DESCRIPTION                                     | EFFECTIVE  |
| 1A                       | B00365 | R-NET ADV-JSM REPLACEMENT STANDARD KEYPAD, RH   | 2016-09-16 |
| 1B                       | B00367 | R-NET ADV-JSM REPLACEMENT STANDARD KEYPAD, LH   | 2016-09-16 |
| 1C                       | B00369 | R-NET ADV-JSM REPLACEMENT KEYPAD ON-PROFILE, RH | 2016-09-16 |
| 1D                       | B00370 | R-NET ADV-JSM REPLACEMENT KEYPAD ON-PROFILE, LH | 2016-09-16 |
| 3                        | B00333 | STANDARD JOYSTICK KNOB                          | 2016-09-16 |
| 4                        | B00332 | JOYSTICK GAITER                                 | 2016-09-16 |
| 5                        | D00321 | R-NET 1.5M ADV JSM CABLE, MALE-MALE             | 2016-09-16 |
| 6                        | D00322 | R-NET 0.8M ADV JSM CABLE, MALE-FEMALE           | 2016-09-16 |
| 1A, 2-4                  | D51715 | R-NET ADVANCED JOYSTICK W/BLUETOOTH             | 2016-09-16 |



| R-NET POWER MODULE |        |                           |            |
|--------------------|--------|---------------------------|------------|
| ITEM #             | PART # | DESCRIPTION               | EFFECTIVE  |
| 1                  | D51109 | R-NET POWER MODULE 90AMP  | 2008-05-28 |
| 2                  | D50903 | R-NET POWER MODULE 120AMP | 2008-05-28 |



R-NET ATTENDANT JOYSTICK - SECTION 6.2.4



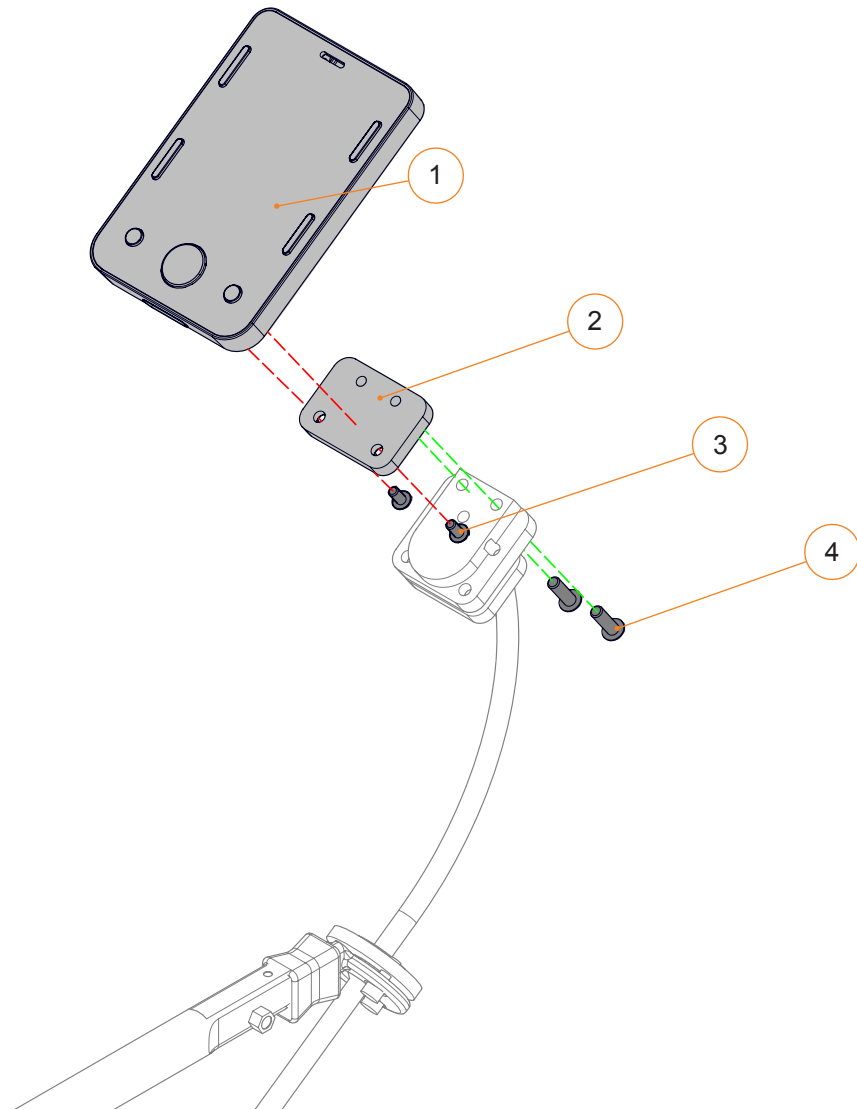
| R-NET ATTENDANT JOYSTICK |        |                                 |            |
|--------------------------|--------|---------------------------------|------------|
| ITEM #                   | PART # | DESCRIPTION                     | EFFECTIVE  |
| 1                        | D00168 | R-NET 0.5M BUS CABLE, MALE-MALE | 2008-04-30 |
| 2                        | D00170 | R-NET 1.2M BUS CABLE, MALE-MALE | 2008-04-30 |
| 3                        | D50829 | R-NET BUS BAR                   | 2009-03-06 |
| 4                        | D50882 | R-NET ATTENDANT JOYSTICK        | 2008-05-28 |
| 1-4                      | S-0036 | R-NET ATTENDANT JOYSTICK KIT    | 2008-05-28 |

| R-NET OMNI DISPLAY |        |                                 |            |
|--------------------|--------|---------------------------------|------------|
| ITEM #             | PART # | DESCRIPTION                     | PRIOR TO   |
| 1                  | D51527 | R-NET OMNI SID INTERFACE MODULE | 2019-12-01 |

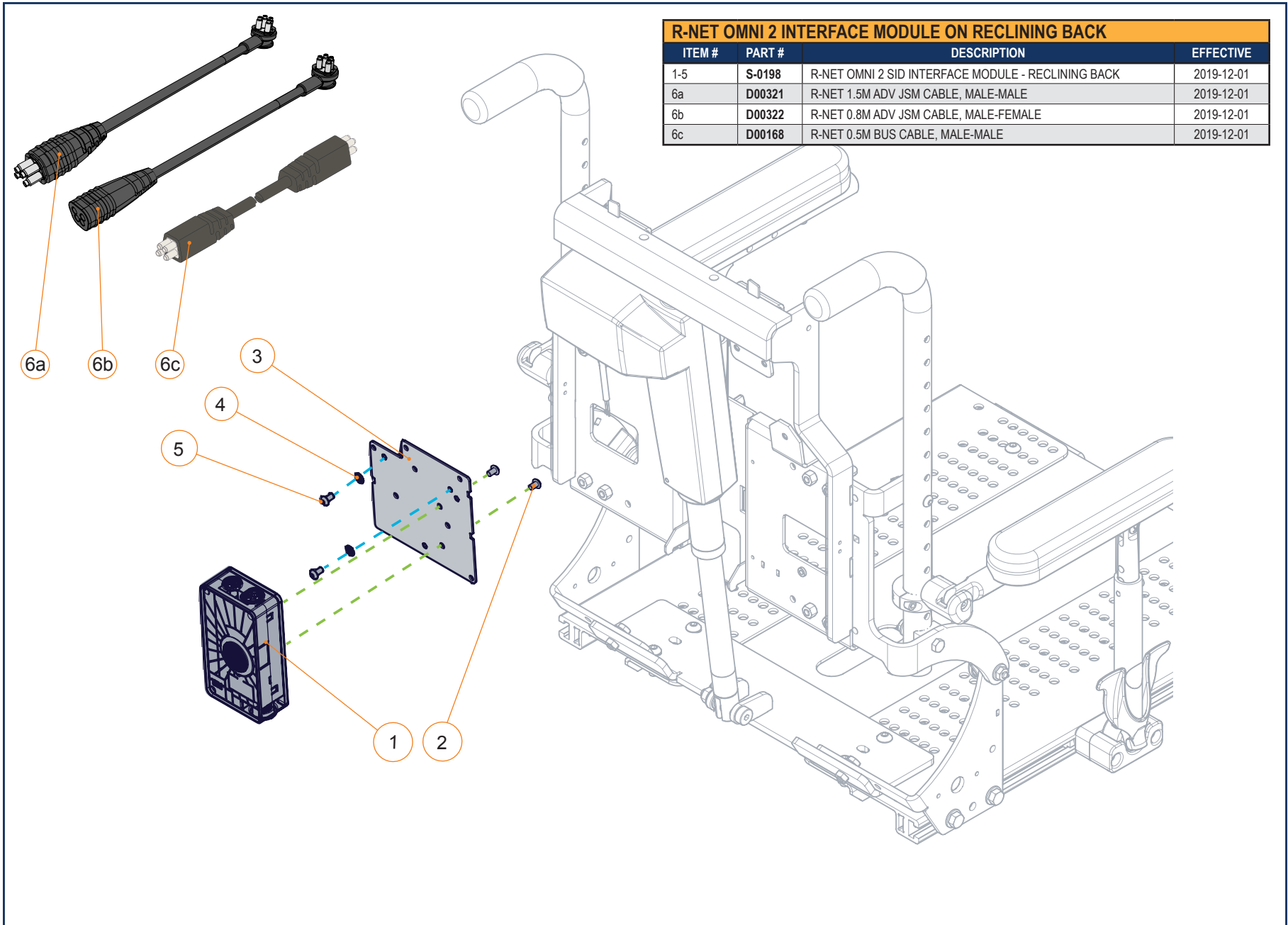


R-NET DISPLAY - SECTION 6.2.5

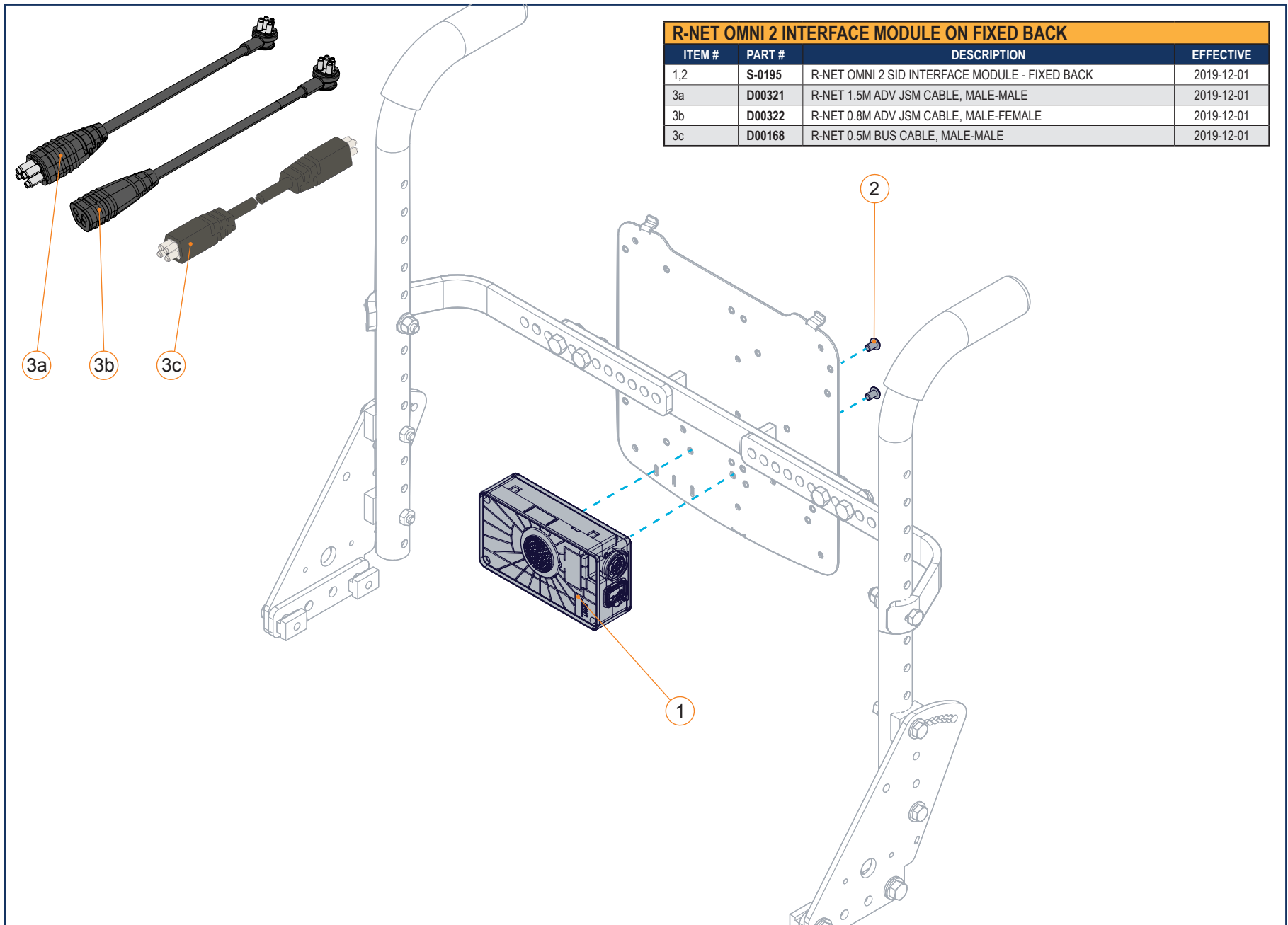
| R-NET OMNI 2 DISPLAY |        |                                   |            |
|----------------------|--------|-----------------------------------|------------|
| ITEM #               | PART # | DESCRIPTION                       | EFFECTIVE  |
| 1-4                  | S-0194 | R-NET OMNI 2 SID INTERFACE SCREEN | 2019-12-01 |



R-NET DISPLAY - SECTION 6.2.5

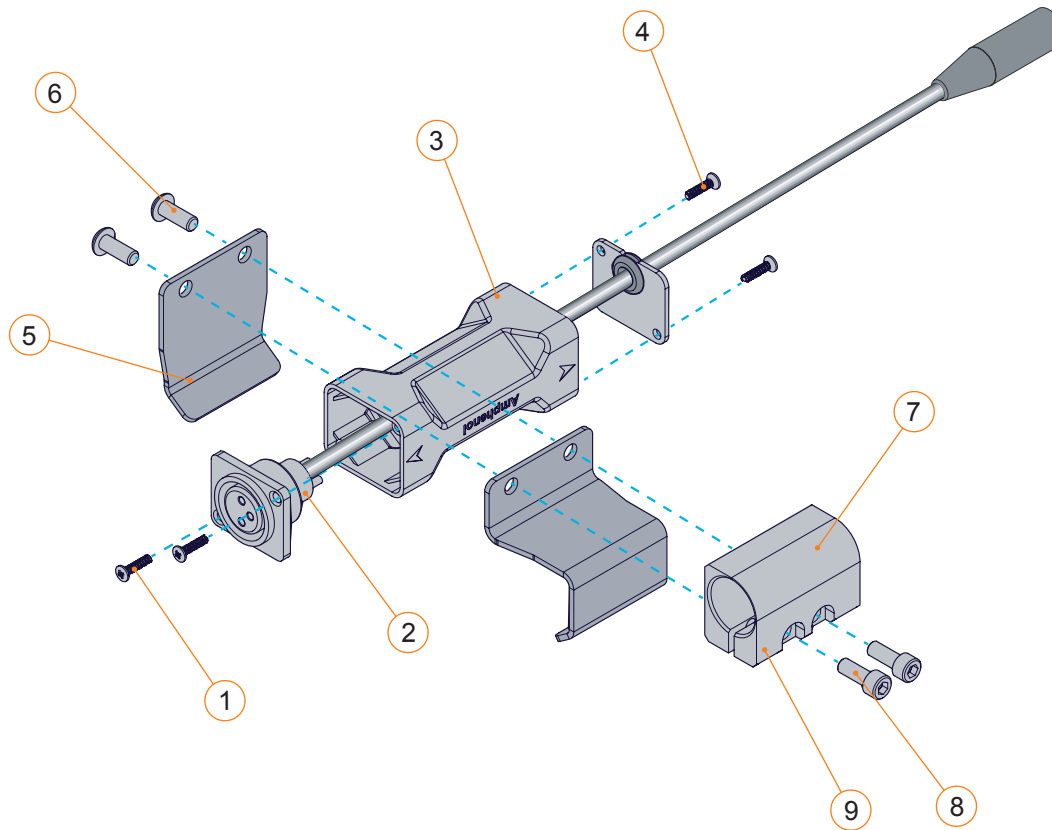


R-NET DISPLAY - SECTION 6.2.5

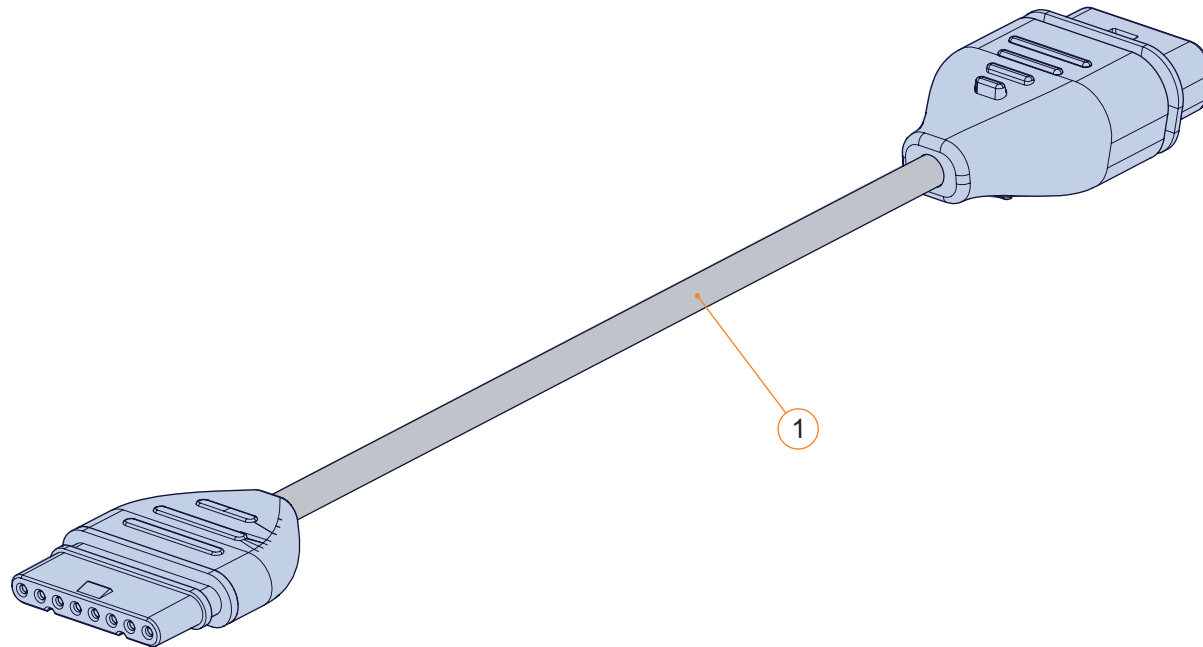


| R-NET OMNI 2 INTERFACE MODULE ON FIXED BACK |        |  |            |
|---|--------|--|------------|
| ITEM #                                      | PART # | DESCRIPTION                                    | EFFECTIVE  |
| 1,2   | S-0195 | R-NET OMNI 2 SID INTERFACE MODULE - FIXED BACK | 2019-12-01 |
| 3a  | D00321 | R-NET 1.5M ADV JSM CABLE, MALE-MALE            | 2019-12-01 |
| 3b  | D00322 | R-NET 0.8M ADV JSM CABLE, MALE-FEMALE          | 2019-12-01 |
| 3c  | D00168 | R-NET 0.5M BUS CABLE, MALE-MALE                | 2019-12-01 |

| R-NET OMNI 2 CHARGER EXTENSION |        |  |            |
|--------------------------------|--------|--|------------|
| ITEM #                         | PART # | DESCRIPTION  | EFFECTIVE  |
| 1-9                            | S-0197 | OMNI 2 CHARGER EXTENSION CABLE W/ MOUNTING BRACKET | 2019-12-01 |



| R-NET OMNI 2 HARNESS |        |                           |            |
|----------------------|--------|---------------------------|------------|
| ITEM #               | PART # | DESCRIPTION               | EFFECTIVE  |
| 1                    | S-0196 | R-NET 2M CABLE FOR OMNI 2 | 2019-12-01 |



| R-NET IOM MODULE |        |                                |            |
|------------------|--------|--------------------------------|------------|
| ITEM #           | PART # | DESCRIPTION                    | EFFECTIVE  |
| 1                | D50883 | INPUT/OUTPUT MODULE,R-NET(IOM) | 2008-05-28 |



**INTELLIGENT SEATING MODULE (ISM)**

| ITEM # | PART # | DESCRIPTION                                 | PRIOR TO   |
|--------|--------|---|------------|
| 1A     | D51290 | RNET LIGHT CONTROLLER, WITH 2 POWER OPTIONS | 2019-11-25 |
| 1B     | D50927 | RNET LIGHT CONTROLLER, WITH 6 POWER OPTIONS | 2019-11-25 |

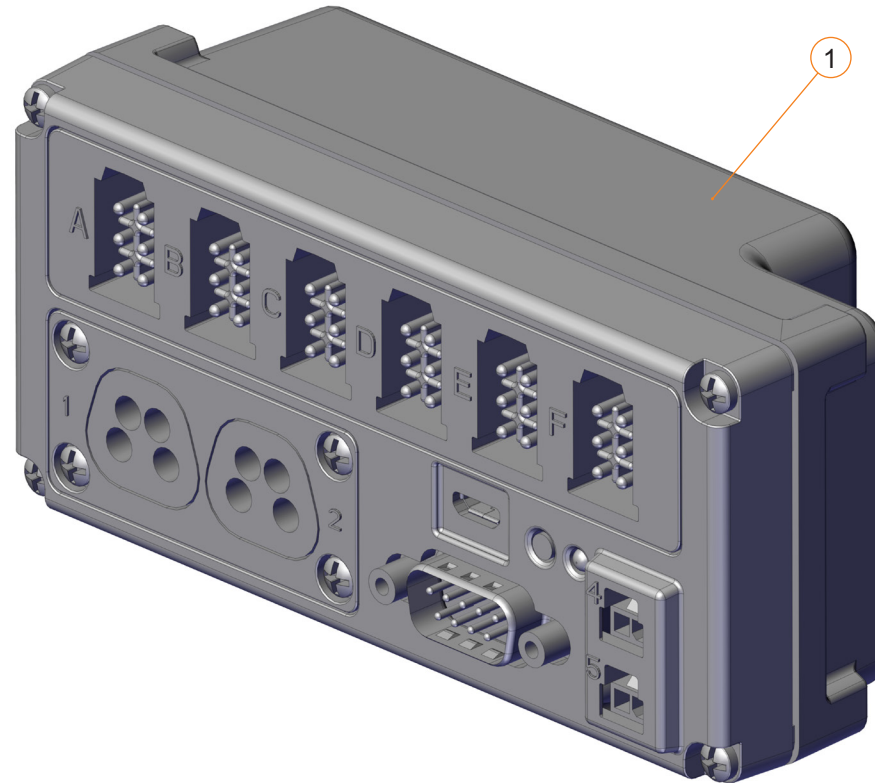


**INTELLIGENT SEATING MODULE (ISM)**

| ITEM # | PART # | DESCRIPTION                                 | EFFECTIVE  |
|--------|--------|---|------------|
| 1A     | D50917 | RNET SINGLE ACTUATOR CONTROLLER - 1 ACT     | 2019-11-25 |
| 1B     | D50919 | RNET MULTIPLE ACTUATOR CONTROLLER - 2/6 ACT | 2019-11-25 |

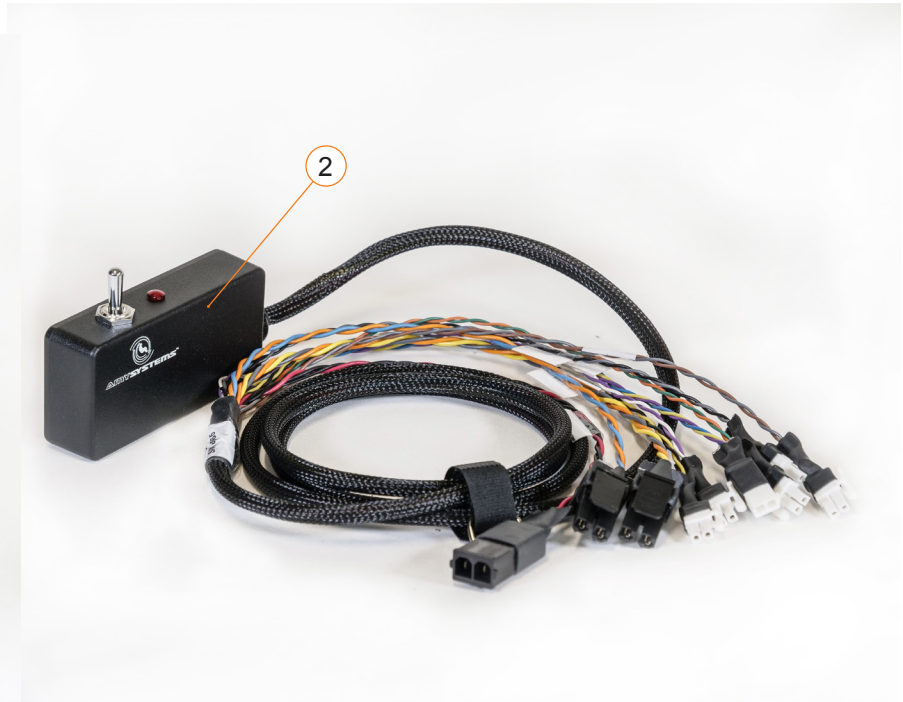
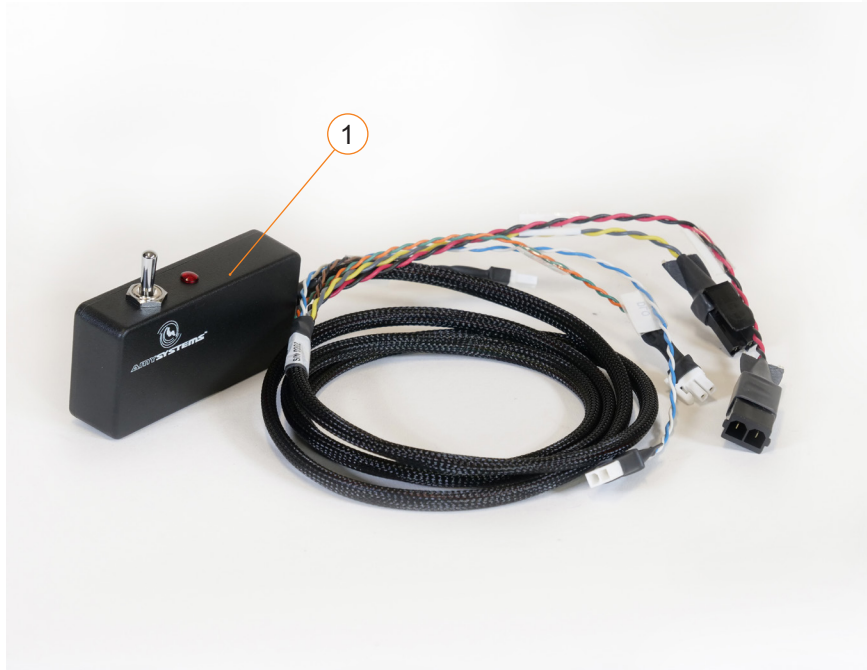


| E-BX MULTIPLE ACTUATOR CONTROLLER |         |  |            |
|-----------------------------------|---------|--|------------|
| ITEM #                            | PART #  | DESCRIPTION                            | EFFECTIVE  |
| 1                                 | 1000004 | E-BX MULTIPLE ACTUATOR CONTROLLER RNET | 2020-02-03 |

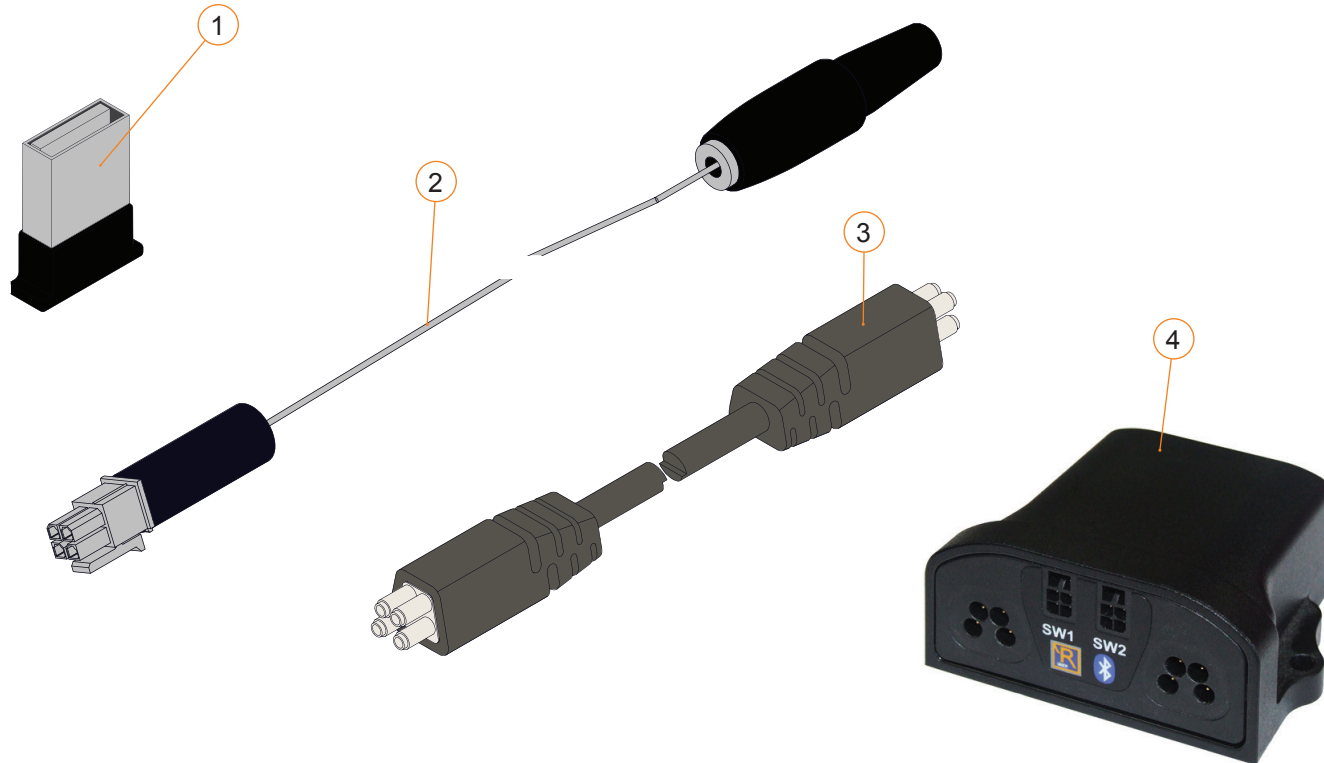


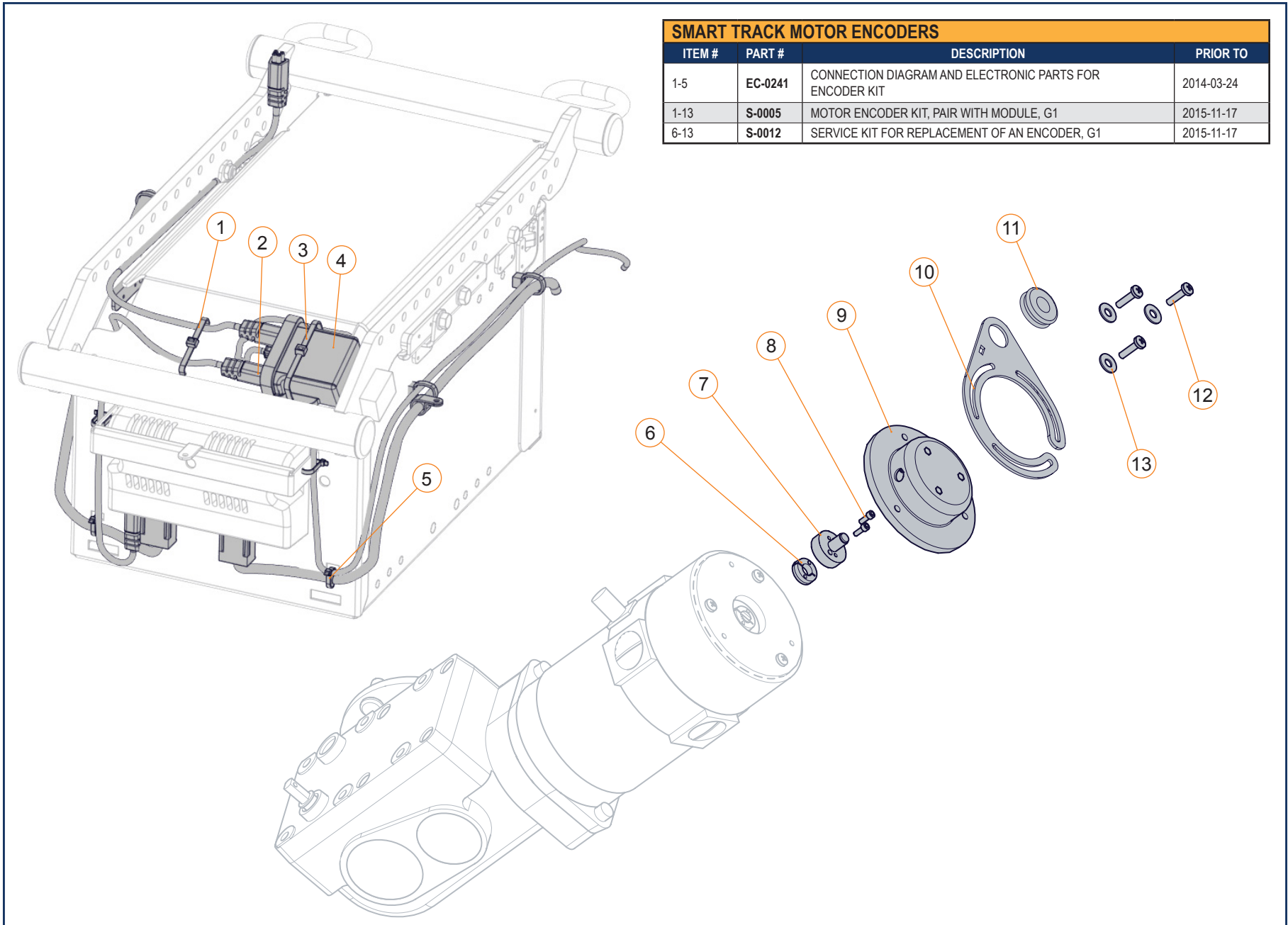
POWER SEATING CONTROLLERS - SECTION 6.2.7

| SOLO / DUO |        |  |            |
|------------|--------|--|------------|
| ITEM #     | PART # | DESCRIPTION                                | EFFECTIVE  |
| 1A         | D00182 | SOLO - SINGLE ACTUATOR CONTROLLER          | 2020-02-03 |
| 1B         | D00328 | CONTROLLER, SOLO AND REDUCE SPEED, NO JACK | 2017-03-28 |
| 2A         | D00201 | DUO - DUAL ACTUATOR CONTROLLER             | 2020-02-03 |
| 2B         | D00329 | CONTROLLER, DUO AND REDUCE SPEED, NO JACK  | 2017-03-28 |

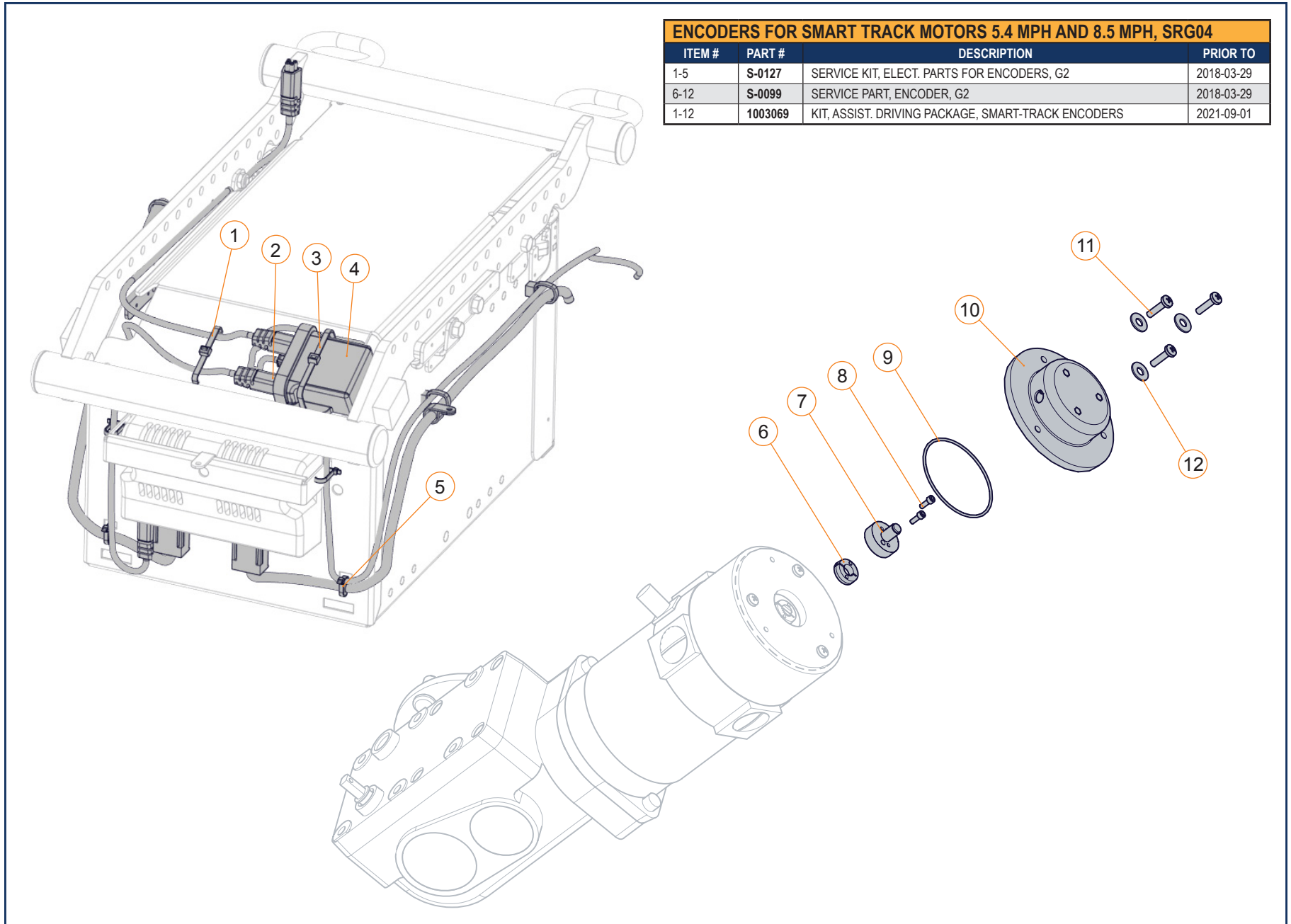


| R-NET BLUETOOTH MODULE |         |   |            |
|------------------------|---------|---|------------|
| ITEM #                 | PART #  | DESCRIPTION                                     | EFFECTIVE  |
| 1                      | D00254  | BLUETOOTH USB DONGLE                            | 2009-03-30 |
| 2                      | D00302  | CABLE FOR EXTERNAL SWITCH ON BLUETOOTH MODULE   | 2013-02-07 |
| 3                      | D00168  | R-NET 0.5M BUS CABLE, MALE-MALE                 | 2008-04-30 |
| 4A                     | D51111  | MOUSE EMULATOR MODULE FOR WINDOWS/MAC OS        | 2008-10-28 |
| 4B                     | D51523  | MOUSE EMULATOR MODULE FOR ANDROID               | 2014-11-05 |
| 4C                     | D51580  | BLUETOOTH MODULE IPAD IPHONE, R-NET             | 2014-11-05 |
| 1-3, 4A                | EC-0085 | BLUETOOTH MOUSE EMULATOR KIT FOR WINDOWS/MAC OS | 2008-10-28 |
| 2, 3, 4B               | EC-0265 | BLUETOOTH MOUSE EMULATOR KIT FOR ANDROID        | 2014-11-05 |
| 2, 3, 4C               | EC-0266 | BLUETOOTH MODULE FOR IPAD AND IPHONE            | 2014-11-05 |

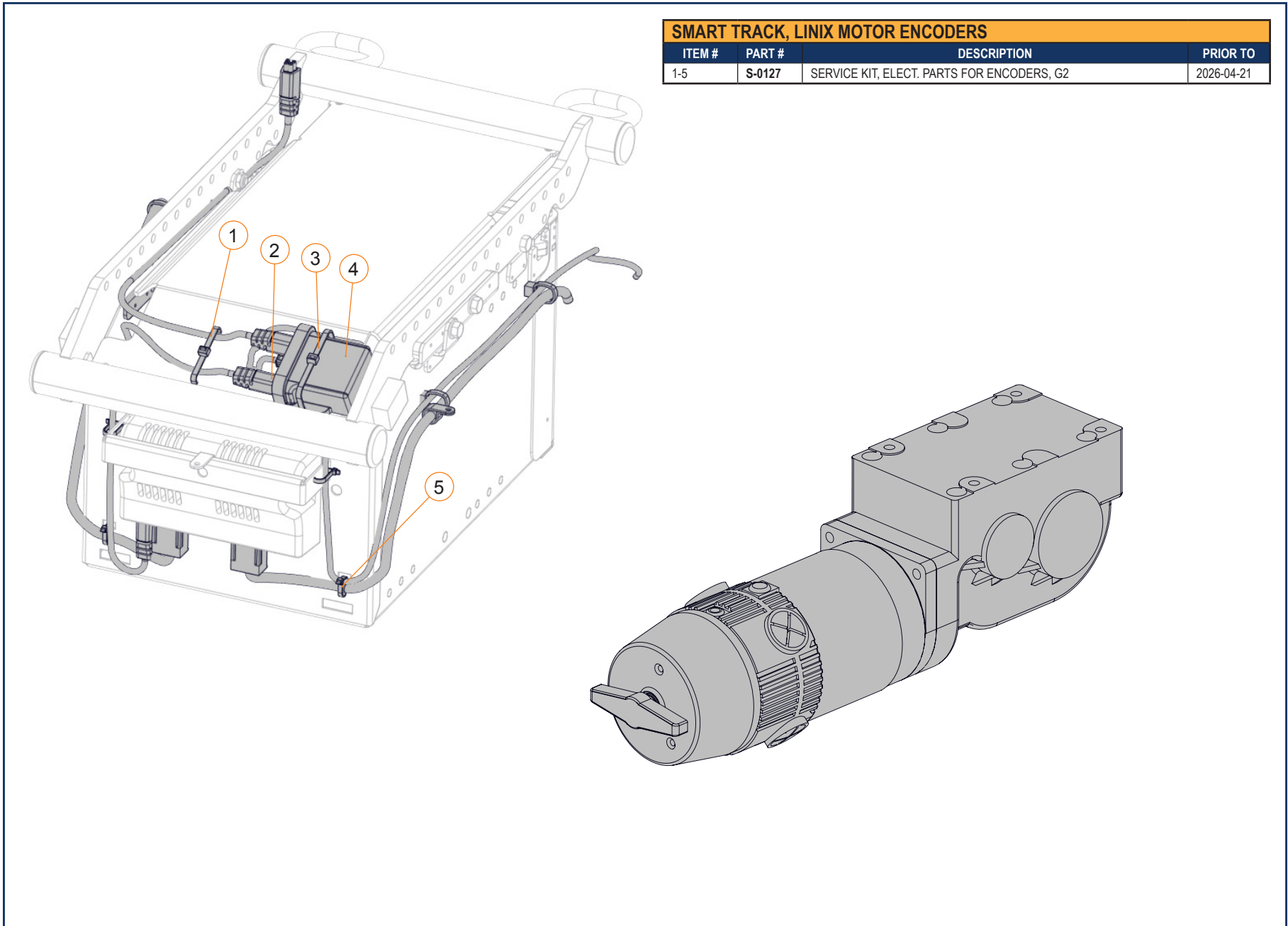




| SMART TRACK MOTOR ENCODERS |         |   |            |
|----------------------------|---------|---|------------|
| ITEM #                     | PART #  | DESCRIPTION   | PRIOR TO   |
| 1-5                        | EC-0241 | CONNECTION DIAGRAM AND ELECTRONIC PARTS FOR ENCODER KIT | 2014-03-24 |
| 1-13                       | S-0005  | MOTOR ENCODER KIT, PAIR WITH MODULE, G1                 | 2015-11-17 |
| 6-13                       | S-0012  | SERVICE KIT FOR REPLACEMENT OF AN ENCODER, G1           | 2015-11-17 |



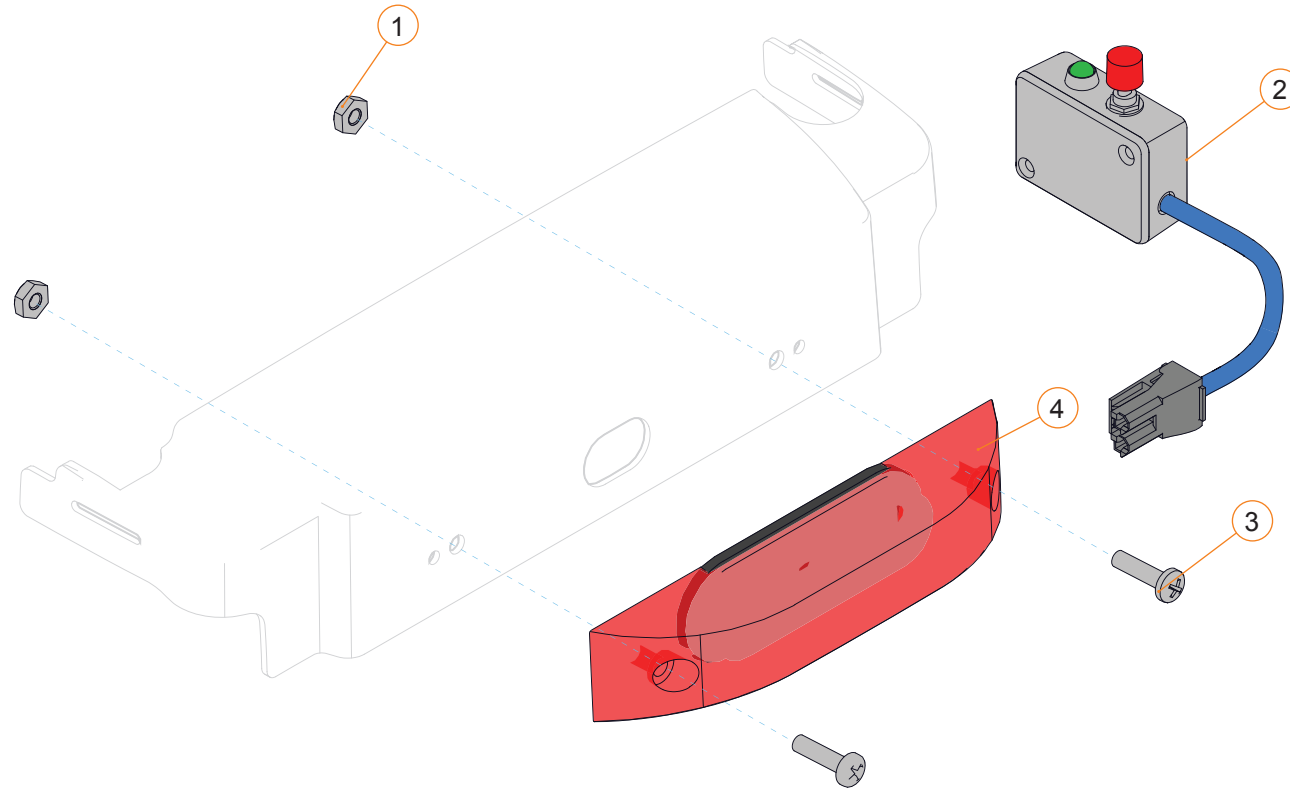
| ENCODERS FOR SMART TRACK MOTORS 5.4 MPH AND 8.5 MPH, SRG04 |         |  |            |
|--|---------|--|------------|
| ITEM #   | PART #  | DESCRIPTION  | PRIOR TO   |
| 1-5  | S-0127  | SERVICE KIT, ELECT. PARTS FOR ENCODERS, G2         | 2018-03-29 |
| 6-12   | S-0099  | SERVICE PART, ENCODER, G2                          | 2018-03-29 |
| 1-12   | 1003069 | KIT, ASSIST. DRIVING PACKAGE, SMART-TRACK ENCODERS | 2021-09-01 |



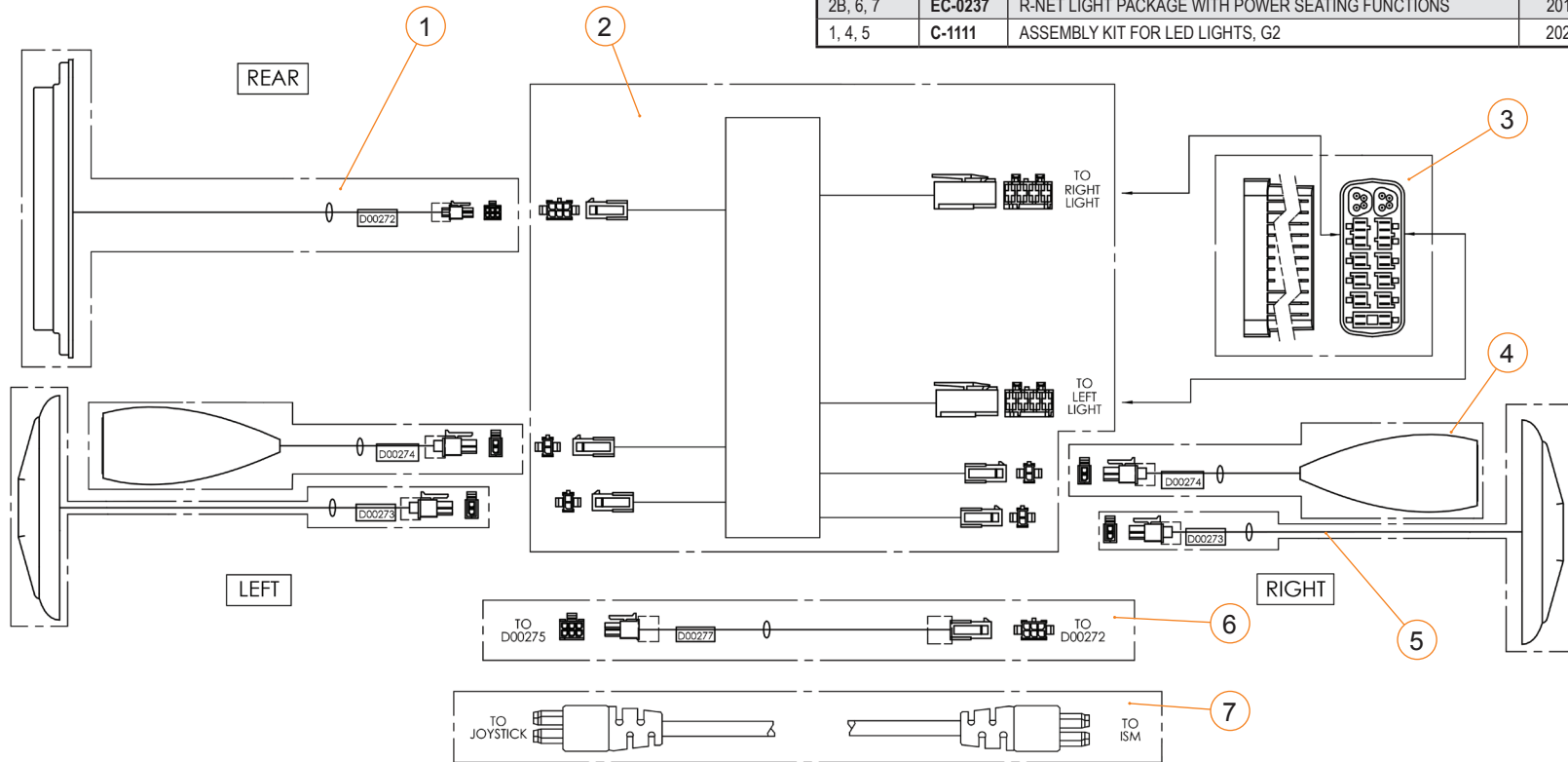
| SMART TRACK, LINIX MOTOR ENCODERS |        |  |            |
|-----------------------------------|--------|--|------------|
| ITEM #                            | PART # | DESCRIPTION                                | PRIOR TO   |
| 1-5                               | S-0127 | SERVICE KIT, ELECT. PARTS FOR ENCODERS, G2 | 2026-04-21 |

STANDARD LIGHTS - SECTION 6.3.1

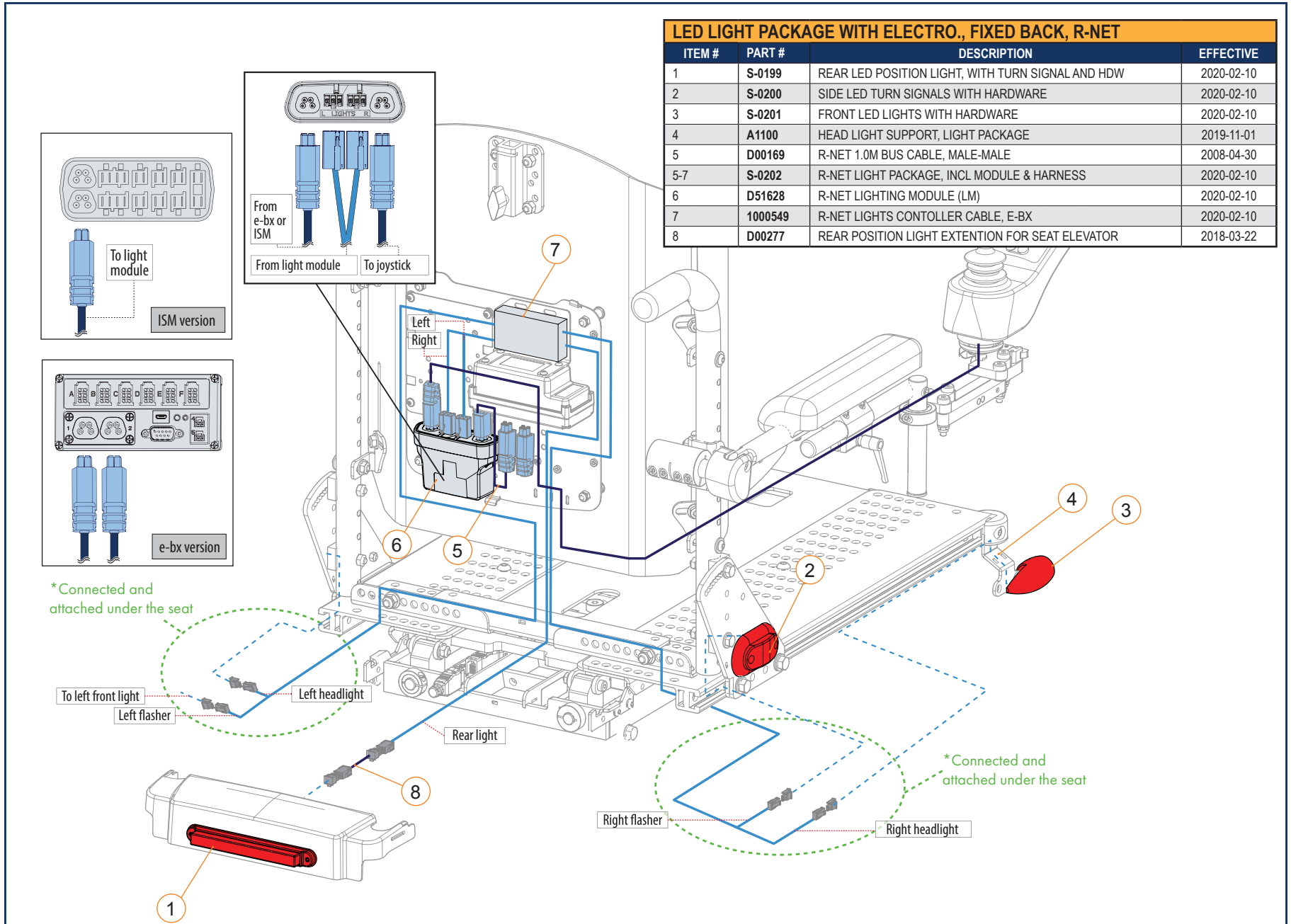
| REAR POSITION LIGHT |         |  |            |
|---------------------|---------|--|------------|
| ITEM #              | PART #  | DESCRIPTION                              | EFFECTIVE  |
| 2                   | D00167  | REAR POSITION LIGHT SWITCH               | 2008-04-30 |
| 4                   | D00165  | REAR POSITION LIGHT                      | 2008-04-30 |
| 1-4                 | C-10320 | INSTALLATION KIT FOR REAR POSITION LIGHT | 2015-06-22 |



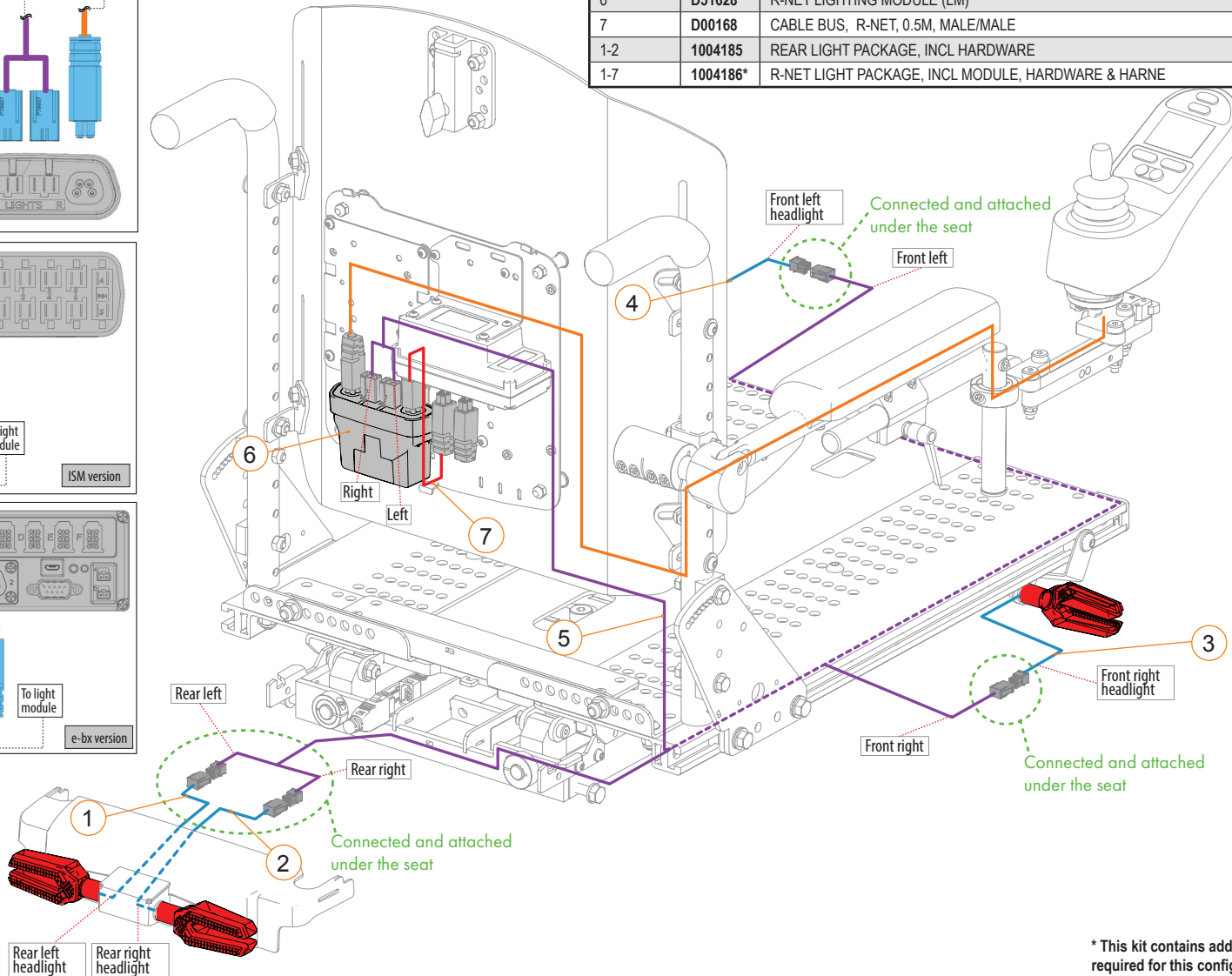
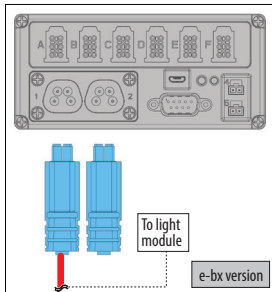
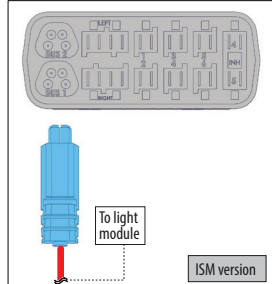
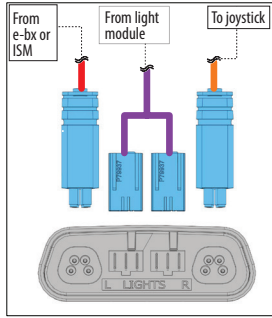
| LED LIGHT PACKAGE, R-NET OR VR2 |         |  |            |
|---------------------------------|---------|--|------------|
| ITEM #                          | PART #  | DESCRIPTION                                      | PRIOR TO   |
| 1                               | D00272  | REAR LED POSITION LIGHT, WITH TURN SIGNAL        | 2019-11-25 |
| 2A                              | D00276  | VR2 LIGHT PACKAGE HARNESS                        | 2019-11-25 |
| 2B                              | D00275  | R-NET LIGHT PACKAGE HARNESS                      | 2019-11-25 |
| 3A                              | D50242  | VR2 LIGHT CONTROLLER                             | 2019-11-25 |
| 3B                              | D50605  | R-NET LIGHT CONTROLLER, NO POWER OPTIONS         | 2019-11-25 |
| 3C                              | D51290  | R-NET LIGHT CONTROLLER, WITH 2 POWER OPTIONS     | 2019-11-25 |
| 3D                              | D50927  | R-NET LIGHT CONTROLLER, WITH 6 POWER OPTIONS     | 2019-11-25 |
| 4                               | D00274  | FRONT LED LIGHTS                                 | 2019-11-25 |
| 5                               | D00273  | SIDE LED TURN SIGNALS                            | 2019-11-25 |
| 6                               | D00277  | REAR POSITION LIGHT EXTENTION FOR SEAT ELEVATOR  | 2019-11-25 |
| 7                               | D00169  | R-NET 1.0M BUS CABLE, MALE-MALE                  | 2019-11-25 |
| 2A, 3A, 6                       | EC-0235 | VR2 LIGHT PACKAGE                                | 2019-11-25 |
| 2B, 3B, 6, 7                    | EC-0236 | R-NET LIGHT PACKAGE                              | 2019-11-25 |
| 2B, 6, 7                        | EC-0237 | R-NET LIGHT PACKAGE WITH POWER SEATING FUNCTIONS | 2019-11-25 |
| 1, 4, 5                         | C-1111  | ASSEMBLY KIT FOR LED LIGHTS, G2                  | 2020-10-05 |



LED LIGHTS - SECTION 6.3.2

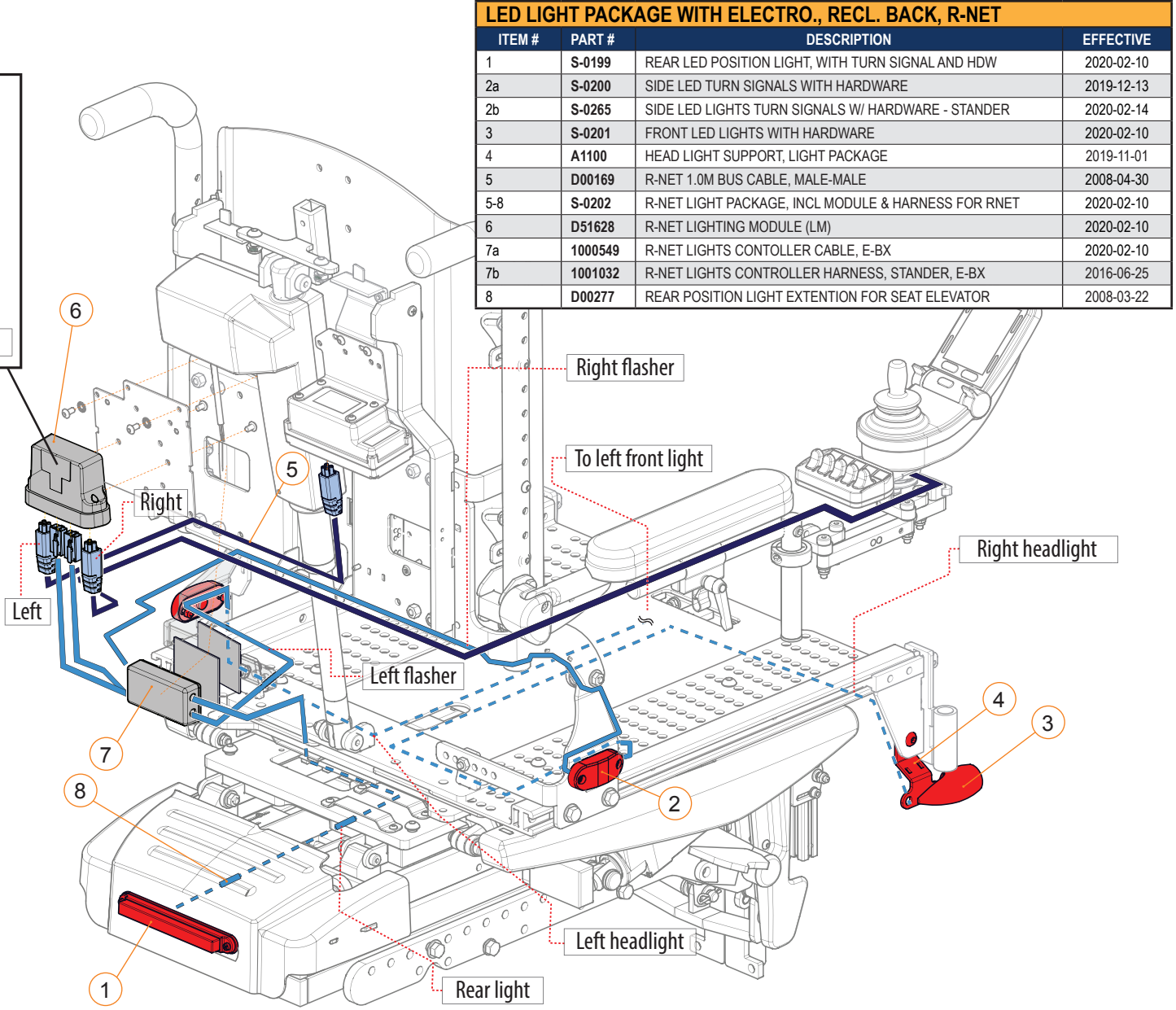
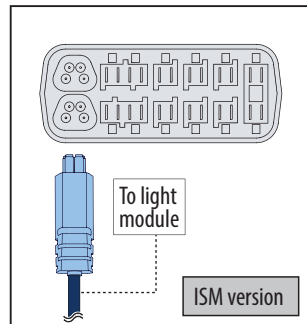
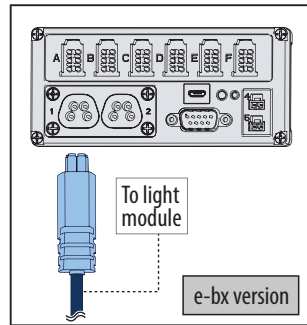
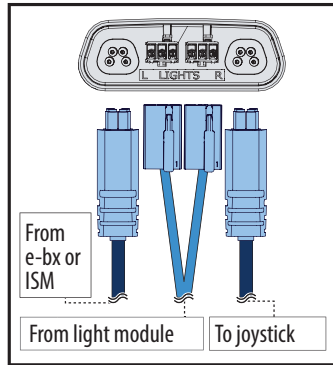


LED LIGHTS - SECTION 6.3.2



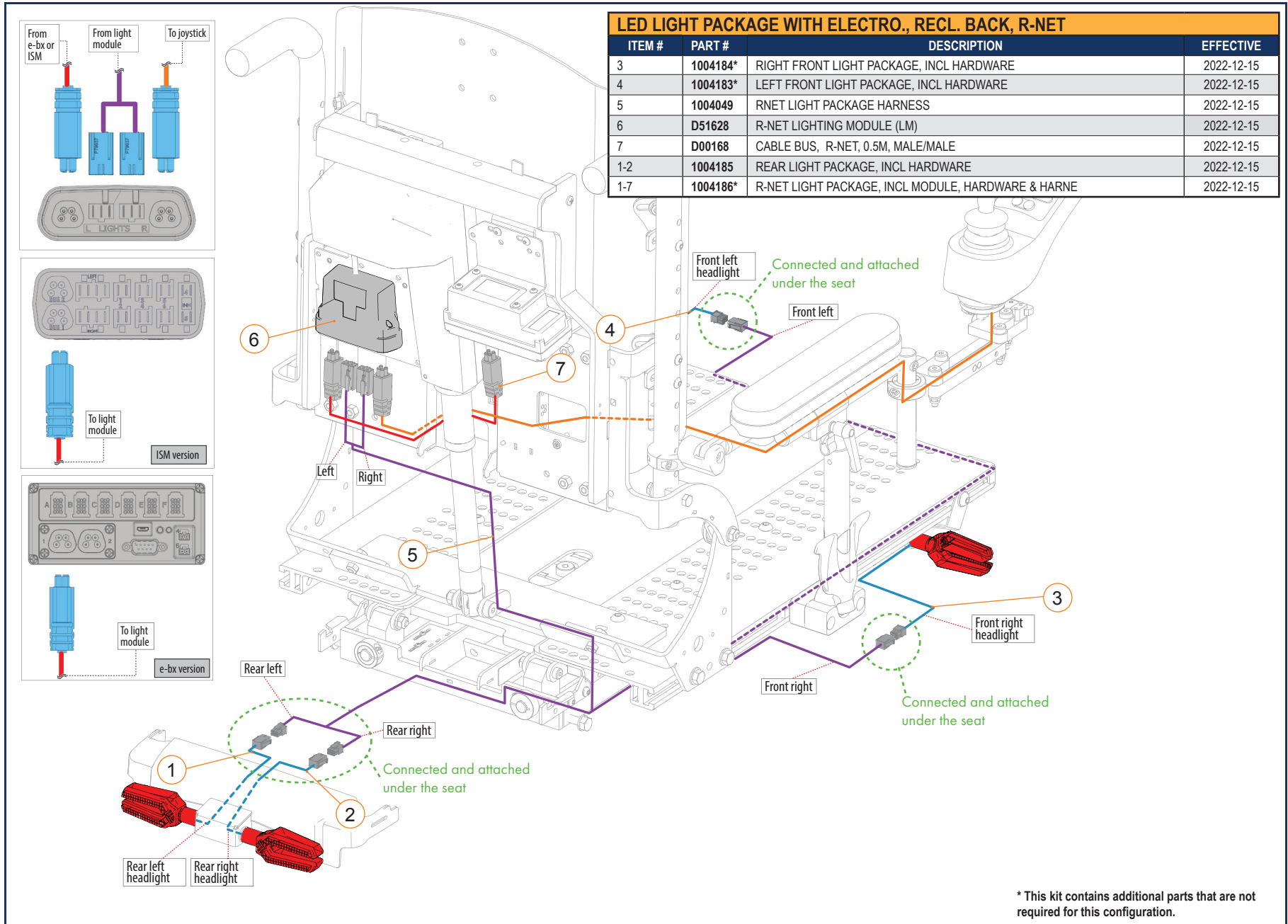
| LED LIGHT PACKAGE WITH ELECTRO., FIXED BACK, R-NET |          |  |            |
|--|----------|--|------------|
| ITEM #   | PART #   | DESCRIPTION  | EFFECTIVE  |
| 3  | 1004184* | RIGHT FRONT LIGHT PACKAGE, INCL HARDWARE           | 2022-12-15 |
| 4  | 1004183* | LEFT FRONT LIGHT PACKAGE, INCL HARDWARE            | 2022-12-15 |
| 5  | 1004049  | RNET LIGHT PACKAGE HARNESS                         | 2022-12-15 |
| 6  | D51628   | R-NET LIGHTING MODULE (LM)                         | 2022-12-15 |
| 7  | D00168   | CABLE BUS, R-NET, 0.5M, MALE/MALE                  | 2022-12-15 |
| 1-2  | 1004185  | REAR LIGHT PACKAGE, INCL HARDWARE                  | 2022-12-15 |
| 1-7  | 1004186* | R-NET LIGHT PACKAGE, INCL MODULE, HARDWARE & HARNE | 2022-12-15 |

\* This kit contains additional parts that are not required for this configuration.



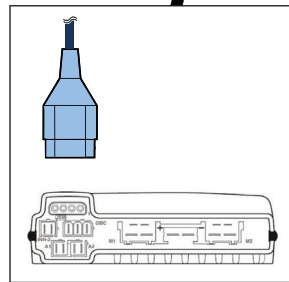
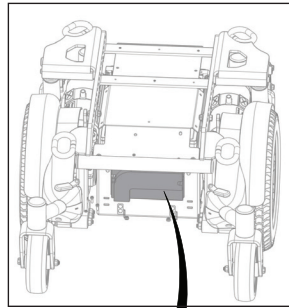
| LED LIGHT PACKAGE WITH ELECTRO., RECL. BACK, R-NET |         |   |            |
|--|---------|---|------------|
| ITEM #   | PART #  | DESCRIPTION   | EFFECTIVE  |
| 1  | S-0199  | REAR LED POSITION LIGHT, WITH TURN SIGNAL AND HDW   | 2020-02-10 |
| 2a   | S-0200  | SIDE LED TURN SIGNALS WITH HARDWARE                 | 2019-12-13 |
| 2b   | S-0265  | SIDE LED LIGHTS TURN SIGNALS W/ HARDWARE - STANDER  | 2020-02-14 |
| 3  | S-0201  | FRONT LED LIGHTS WITH HARDWARE                      | 2020-02-10 |
| 4  | A1100   | HEAD LIGHT SUPPORT, LIGHT PACKAGE                   | 2019-11-01 |
| 5  | D00169  | R-NET 1.0M BUS CABLE, MALE-MALE                     | 2008-04-30 |
| 5-8  | S-0202  | R-NET LIGHT PACKAGE, INCL MODULE & HARNESS FOR RNET | 2020-02-10 |
| 6  | D51628  | R-NET LIGHTING MODULE (LM)                          | 2020-02-10 |
| 7a   | 1000549 | R-NET LIGHTS CONTOLLER CABLE, E-BX                  | 2020-02-10 |
| 7b   | 1001032 | R-NET LIGHTS CONTROLLER HARNESS, STANDER, E-BX      | 2016-06-25 |
| 8  | D00277  | REAR POSITION LIGHT EXTENTION FOR SEAT ELEVATOR     | 2008-03-22 |

LED LIGHTS - SECTION 6.3.2



\* This kit contains additional parts that are not required for this configuration.

| LED LIGHT PACKAGE, VR2 |        |   |            |
|------------------------|--------|---|------------|
| ITEM #                 | PART # | DESCRIPTION                                       | EFFECTIVE  |
| 1                      | D50242 | VR2 LIGHT CONTROLER                               | 2008-05-01 |
| 2                      | D00277 | REAR POSITION LIGHT EXTENSION FOR SEAT ELEVATOR   | 2018-03-22 |
| 3                      | D00276 | VR2 LIGHT PACKAGE HARNESS                         | 2018-03-22 |
| 4                      | S-0201 | FRONT LED LIGHTS WITH HARDWARE                    | 2019-11-25 |
| 5                      | A1100  | HEAD LIGHT SUPPORT, LIGHT PACKAGE                 | 2019-11-01 |
| 6                      | S-0200 | SIDE LED TURN SIGNALS WITH HARDWARE               | 2019-11-25 |
| 7                      | S-0199 | REAR LED POSITION LIGHT, WITH TURN SIGNAL AND HDW | 2019-11-25 |



\* Connected and attached under the seat

Left flasher

To left front light

Left headlight

Left

Right

\* Use the cable if elevator is installed

Rear light

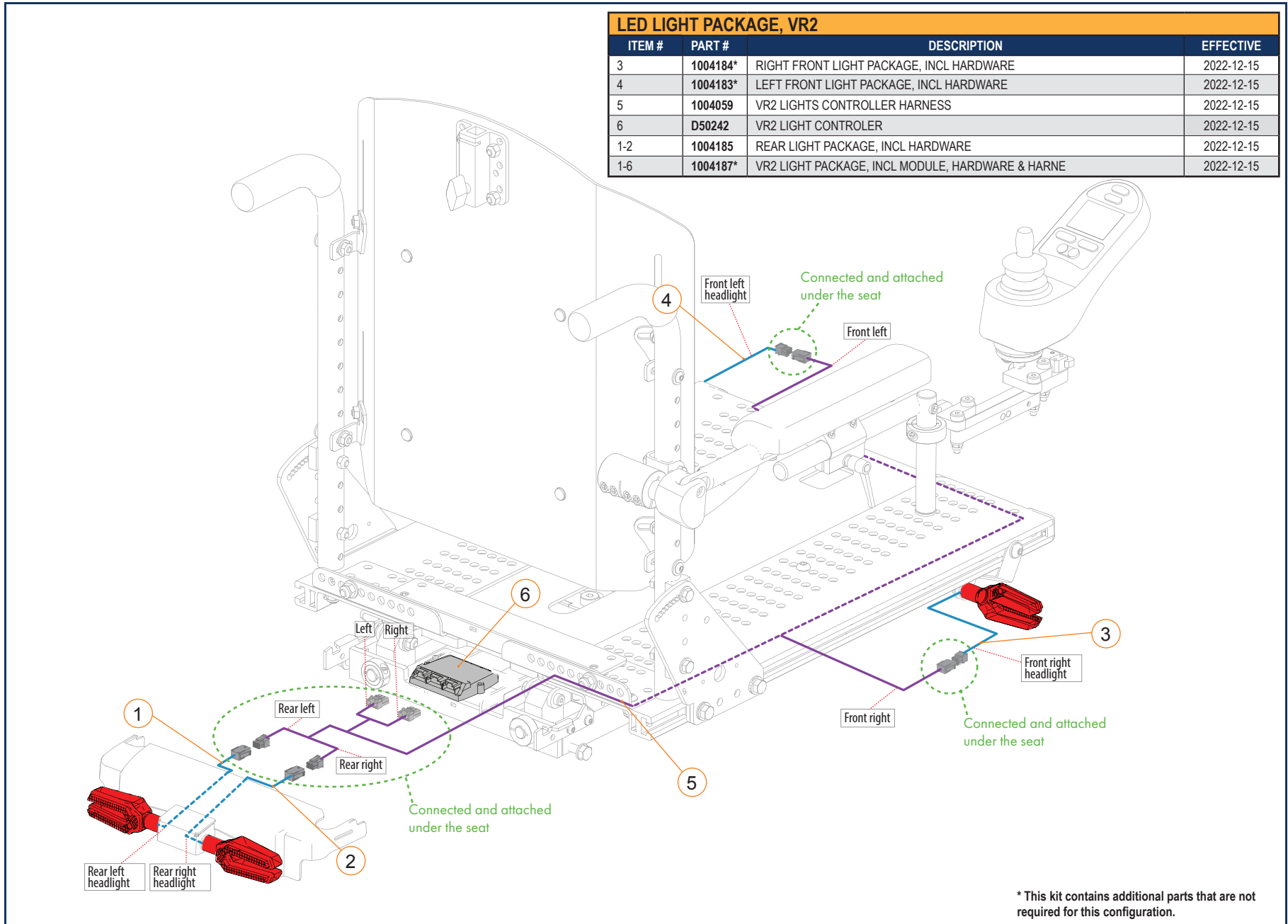
Right headlight

Right flasher

\* Connected and attached under the seat

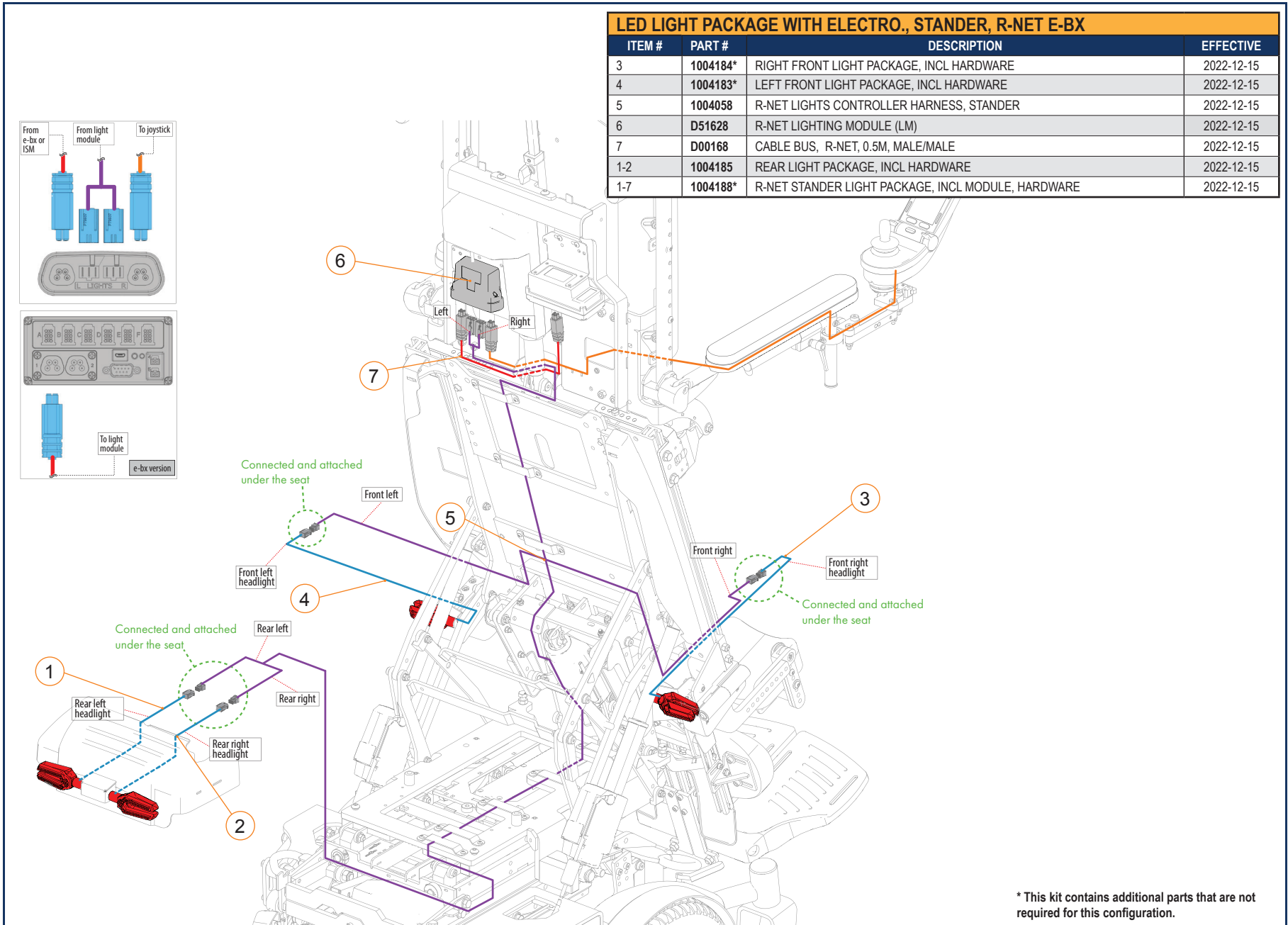
To power module

From joystick cable



\* This kit contains additional parts that are not required for this configuration.

LED LIGHTS - SECTION 6.3.2



\* This kit contains additional parts that are not required for this configuration.

| VR2    |         |                             |            |
|--------|---------|-----------------------------|------------|
| ITEM # | PART #  | DESCRIPTION                 | EFFECTIVE  |
| 1      | D49510  | VR2 HANDHELD PP1 PROGRAMMER | 2009-06-08 |
| 2-6    | D50144  | VR2 MOBILITY PC PROGRAMMER  | 2009-06-08 |
| 1-6    | EC-0273 | VR2 PROGRAMMING KIT         | 2009-06-08 |



| R-NET - PROGRAMMER & PCP KIT |        |                             |            |
|------------------------------|--------|-----------------------------|------------|
| ITEM #                       | PART # | DESCRIPTION                 | PRIOR TO   |
| 1, 2                         | D50612 | R-NET OBP AND PC PROGRAMMER | 2021-03-04 |



| R-NET - PROGRAMMER & PCP KIT |        |                             |            |
|------------------------------|--------|-----------------------------|------------|
| ITEM #                       | PART # | DESCRIPTION                 | EFFECTIVE  |
| 1, 2                         | D51846 | R-NET OBP AND PC PROGRAMMER | 2021-03-04 |

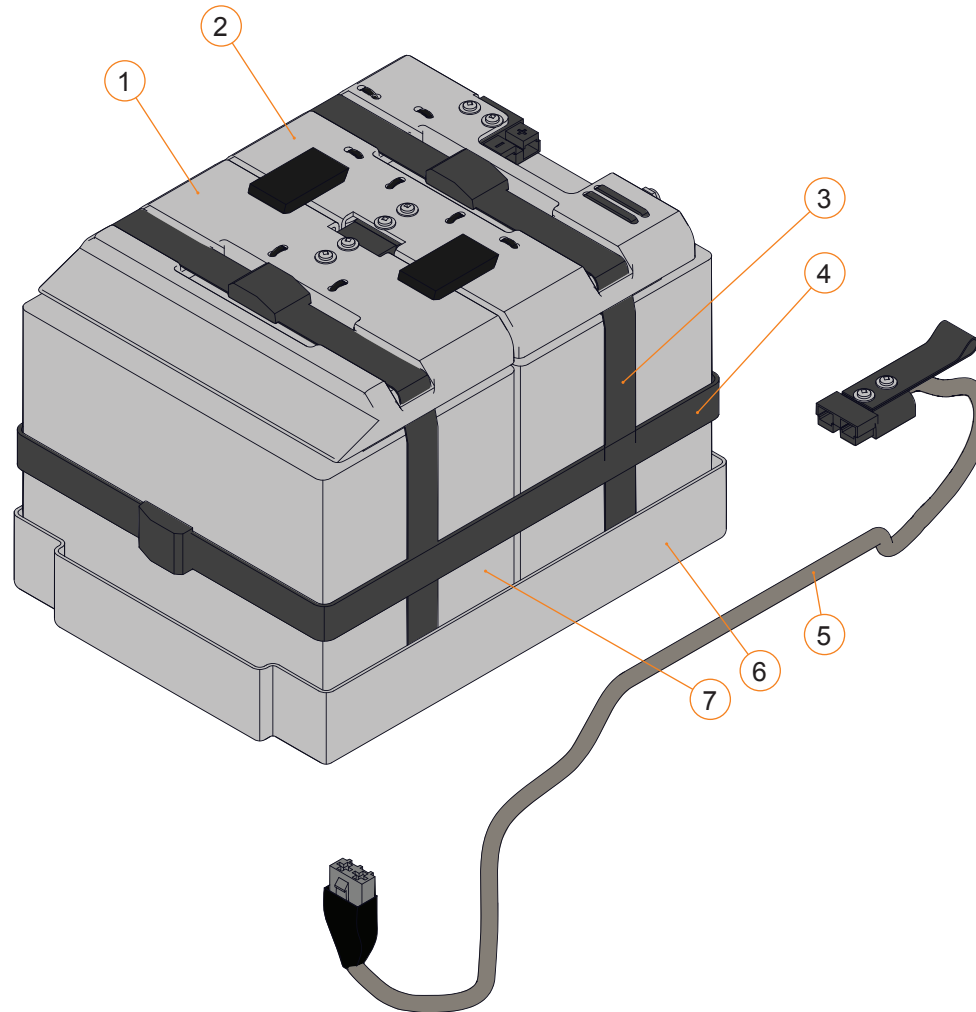


| R-NET WIFI PROGRAMMER |         |                                   |            |
|-----------------------|---------|-----------------------------------|------------|
| ITEM #                | PART #  | DESCRIPTION                       | EFFECTIVE  |
| 1-2                   | 1004835 | R-NET WIFI PROGRAMMER             | 2023-03-01 |
| 2                     | D00231  | R-NET 1.0M BUS CABLE, MALE-FEMALE | 2008-04-30 |

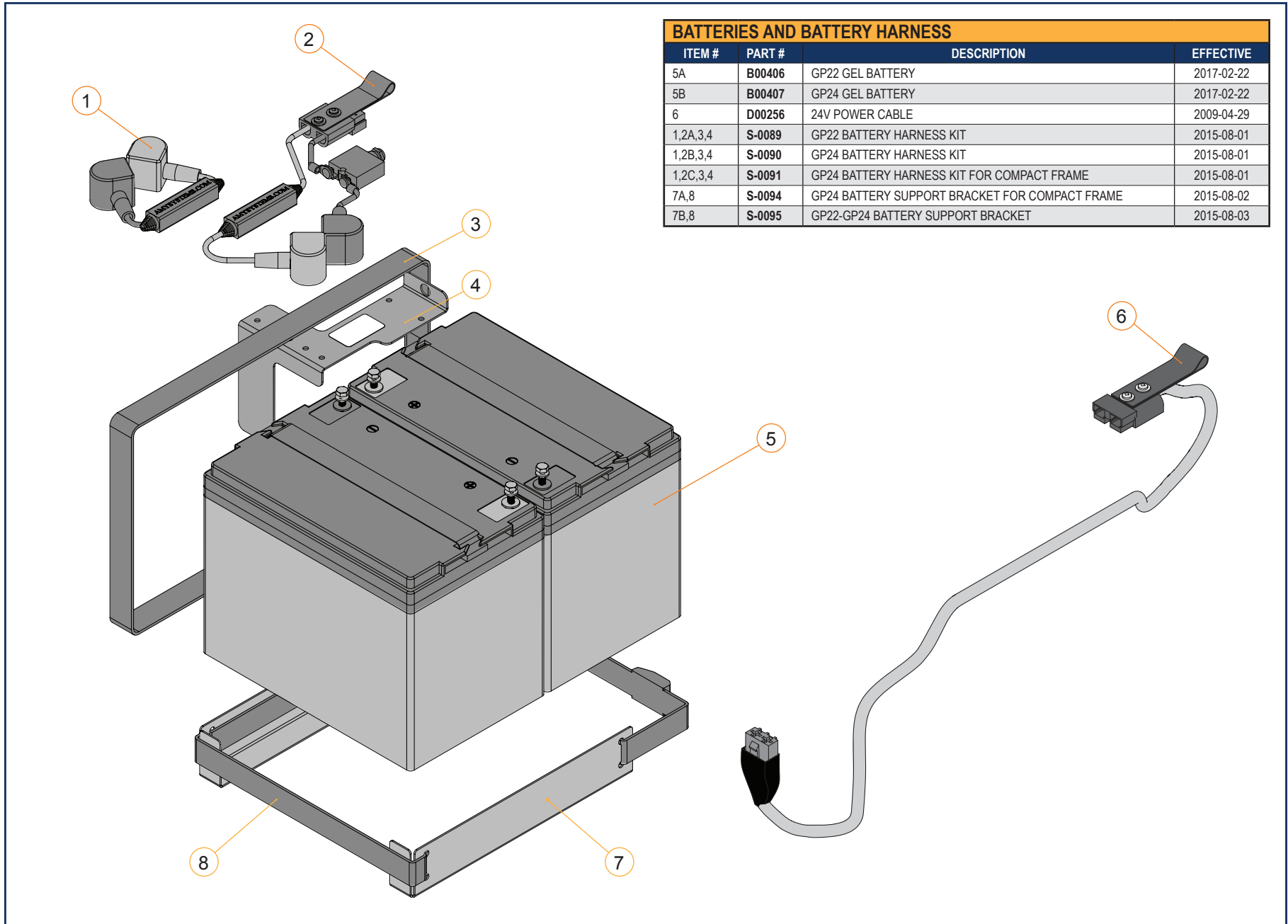


**BATTERY HARNESS - SECTION 6.5.1**

| BATTERY HARNESS COVER KIT |         |  |            |
|---------------------------|---------|--|------------|
| ITEM #                    | PART #  | DESCRIPTION  | PRIOR TO   |
| 5                         | D00256  | 24V POWER CABLE                                      | 2009-04-29 |
| 7A                        | B00125  | MK GP22 GEL BATTERY                                  | 2017-02-22 |
| 7B                        | B00124  | MK GP24 GEL BATTERY                                  | 2017-02-22 |
| 1A, 2A, 3, 4, 6           | C-1037  | GP22 BATTERY HARNESS AND COVER KIT                   |            |
| 1B, 2B, 3, 4, 6           | C-1036  | GP24 BATTERY HARNESS AND COVER KIT                   |            |
| 1C, 2C, 3, 4, 6           | C-10206 | GP24 BATTERY HARNESS AND COVER KIT FOR COMPACT FRAME |            |



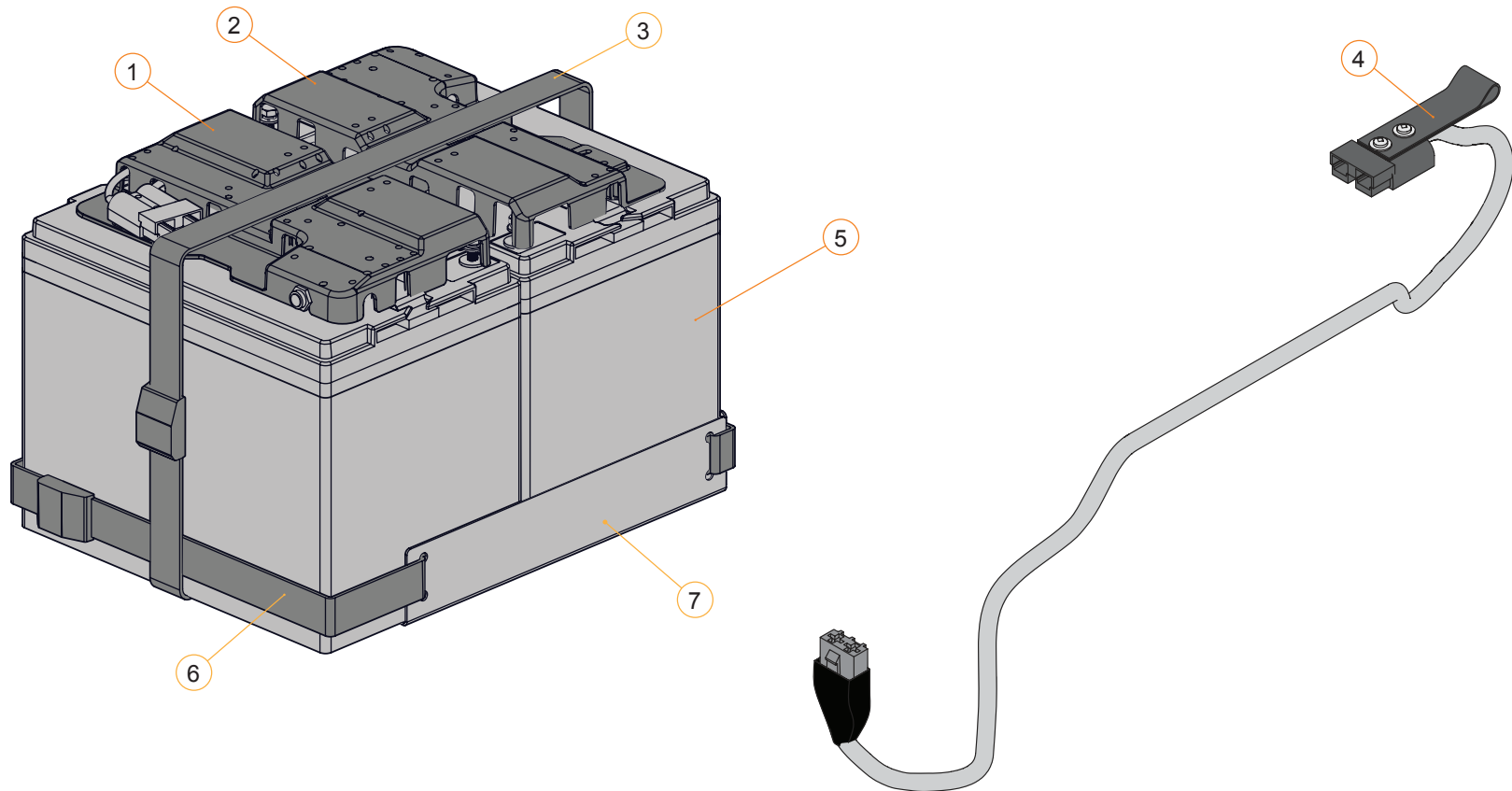
BATTERY HARNESS - SECTION 6.5.1



| BATTERIES AND BATTERY HARNESS |        |  |            |
|-------------------------------|--------|--|------------|
| ITEM #                        | PART # | DESCRIPTION                                    | EFFECTIVE  |
| 5A                            | B00406 | GP22 GEL BATTERY                               | 2017-02-22 |
| 5B                            | B00407 | GP24 GEL BATTERY                               | 2017-02-22 |
| 6                             | D00256 | 24V POWER CABLE                                | 2009-04-29 |
| 1,2A,3,4                      | S-0089 | GP22 BATTERY HARNESS KIT                       | 2015-08-01 |
| 1,2B,3,4                      | S-0090 | GP24 BATTERY HARNESS KIT                       | 2015-08-01 |
| 1,2C,3,4                      | S-0091 | GP24 BATTERY HARNESS KIT FOR COMPACT FRAME     | 2015-08-01 |
| 7A,8                          | S-0094 | GP24 BATTERY SUPPORT BRACKET FOR COMPACT FRAME | 2015-08-02 |
| 7B,8                          | S-0095 | GP22-GP24 BATTERY SUPPORT BRACKET              | 2015-08-03 |

BATTERY HARNESS - SECTION 6.5.1

| BATTERIES AND BATTERY HARNESS |         |  |            |
|-------------------------------|---------|--|------------|
| ITEM #                        | PART #  | DESCRIPTION  | EFFECTIVE  |
| 4                             | D00256  | 24V POWER CABLE                                    | 2009-04-29 |
| 5A                            | B00406  | GP22 GEL BATTERY                                   | 2017-02-22 |
| 5B                            | B00407  | GP24 GEL BATTERY                                   | 2017-02-22 |
| 1A,2A,3                       | S-0089  | GP22 BATTERY HARNESS KIT                           | 2015-08-01 |
| 1B,2B,3                       | S-0090  | GP24 BATTERY HARNESS KIT                           | 2015-08-01 |
| 1C,2C,3                       | S-0091  | GP24 BATTERY HARNESS KIT FOR COMPACT FRAME         | 2015-08-01 |
| 1D,2D,3                       | 1003871 | KIT, GP22 BATTERY HARNESS/COVER, NARROW N2221 BASE | 2021-12-15 |
| 6,7A                          | S-0094  | KIT, GP24 BATT. SUPPORT BRACKET, NARROW N2424 BASE | 2015-08-02 |
| 6,7B                          | S-0095  | GP22-GP24 BATTERY SUPPORT BRACKET                  | 2015-08-03 |
| 6,7C                          | 1003872 | KIT, GP22 BATT. SUPPORT BRACKET, NARROW N2221 BASE | 2021-12-15 |



| BATTERY CHARGER |         |   |            |
|-----------------|---------|---|------------|
| ITEM #          | PART #  | DESCRIPTION                               | EFFECTIVE  |
| 1A              | D00299  | BATTERY CHARGER, CLIPLIGHT 24V / 8 AMP    | 2012-06-08 |
| 1B              | 1004805 | 8A/24V, OFFBOARD BATTERY CHARGER, AUS/N-Z | 2024-07-19 |



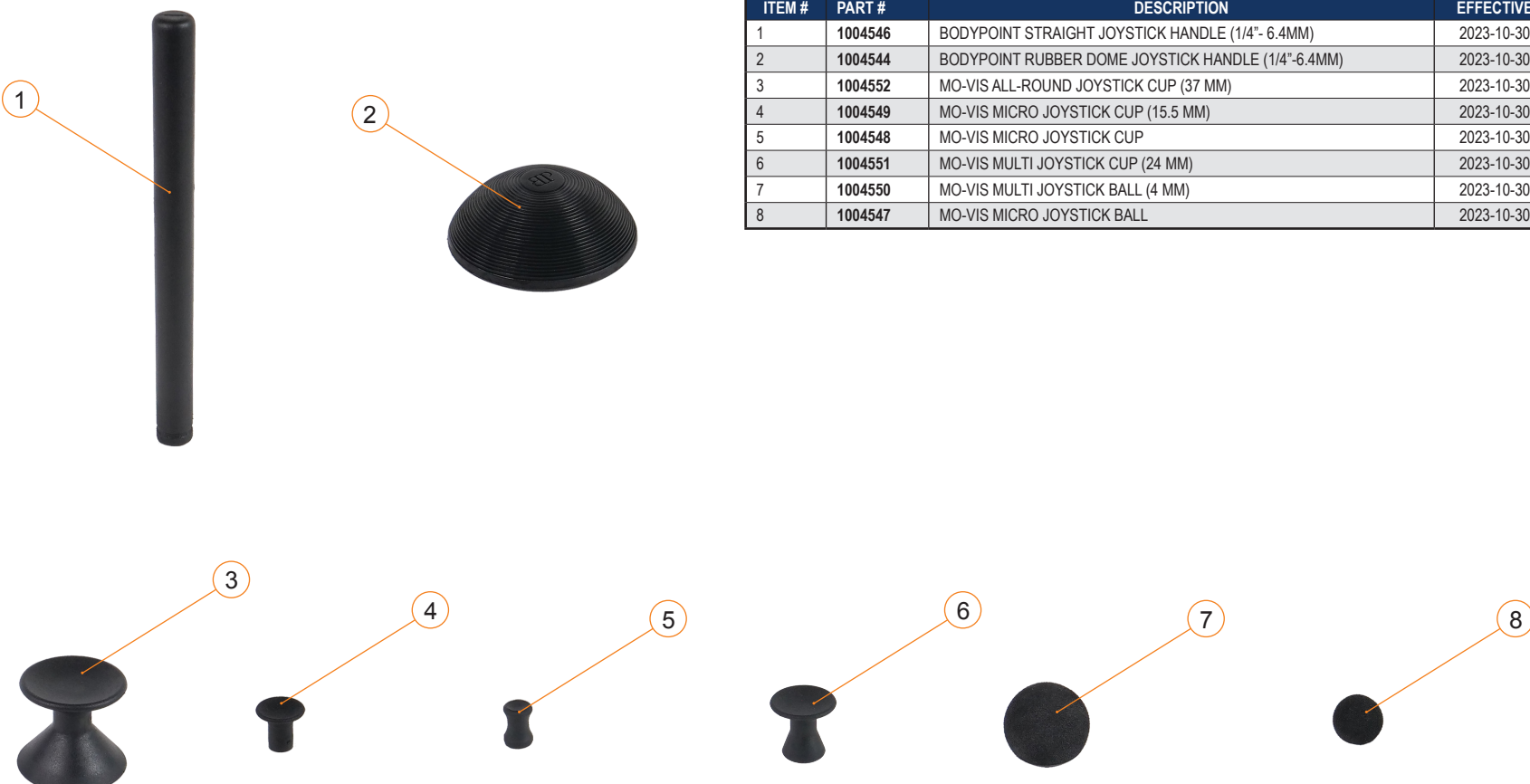
JOYSTICK KNOBS - SECTION 6.6.1



| JOYSTICK KNOBS |         |  |            |
|----------------|---------|--|------------|
| ITEM #         | PART #  | DESCRIPTION                                  | EFFECTIVE  |
| 1              | 1000083 | BODYPOINT 100 MM U-SHAPED JOYSTICK KNOB      | 2010-02-25 |
| 2              | B00415  | BODYPOINT 42 MM LARGE MUSHROOM JOYSTICK KNOB | 2022-06-13 |
| 3              | B00333  | STANDARD JOYSTICK KNOB                       | 2010-02-25 |
| 4              | 1004095 | KIT, BALL HANDLE FOR JOYSTICK, LARGE         | 2022-06-13 |
| 5              | 1004868 | T-HANDLE JOYSTICK KNOB (E2323)               | 2010-02-25 |
| 6              | 1004869 | 80MM STICK JOYSTICK KNOB (E2323)             | 2010-02-25 |
| 7              | 1004845 | SOFT FOAM BALL JOYSTICK KNOB (E2323)         | 2010-02-25 |



JOYSTICK KNOBS - SECTION 6.6.1



| CUSTOM JOYSTICK KNOBS |         |  |            |
|-----------------------|---------|--|------------|
| ITEM #                | PART #  | DESCRIPTION  | EFFECTIVE  |
| 1                     | 1004546 | BODYPOINT STRAIGHT JOYSTICK HANDLE (1/4"- 6.4MM)   | 2023-10-30 |
| 2                     | 1004544 | BODYPOINT RUBBER DOME JOYSTICK HANDLE (1/4"-6.4MM) | 2023-10-30 |
| 3                     | 1004552 | MO-VIS ALL-ROUND JOYSTICK CUP (37 MM)              | 2023-10-30 |
| 4                     | 1004549 | MO-VIS MICRO JOYSTICK CUP (15.5 MM)                | 2023-10-30 |
| 5                     | 1004548 | MO-VIS MICRO JOYSTICK CUP                          | 2023-10-30 |
| 6                     | 1004551 | MO-VIS MULTI JOYSTICK CUP (24 MM)                  | 2023-10-30 |
| 7                     | 1004550 | MO-VIS MULTI JOYSTICK BALL (4 MM)                  | 2023-10-30 |
| 8                     | 1004547 | MO-VIS MICRO JOYSTICK BALL                         | 2023-10-30 |