

4.1 - AMYSYSTEMS

4.1.1 - ALLTRACK BASE INSTALLATION

- MODULE INSTALLATION KIT 4.1.1.1
- MODULE INSTALLATION KIT 4.1.1.2
- VHD MODULE INSTALLATION KIT..... 4.1.1.3
- VHD MODULE INSTALLATION KIT 4.1.1.4
- SEAT INSTALLATION KIT WITHOUT MODULE..... 4.1.1.5
- SEAT INSTALLATION KIT WITHOUT MODULE..... 4.1.1.6

4.1.2 - AMYSEAT II INSTALLATION

- SEAT INSTALLATION HARDWARE 4.1.2.1

4.2 - QUICKIE

4.2.1 - QUICKIE BASE INSTALLATION

- QUICKIE FREESTYLE ADAPTOR KIT..... 4.2.1.1
- QUICKIE RHYTHM ADAPTER KIT..... 4.2.1.2
- QUICKIE QM-7 ADAPTER KIT 4.2.1.3
- QUICKIE XPERIENCE, XPLORE ADAPTER KIT 4.2.1.4
- QUICKIE XCEL ADPATER KIT..... 4.2.1.5
- ECLIPSE SEAT INSTALLATION KIT WITHOUT MODULE ON QUICKIE XPERIENCE, XPLORE 4.2.1.6

4.2.2 - QUICKIE SEAT INSTALLATION

- QUICKIE S525 AND FREESTYLE REHAB SEAT ADAPTORS 4.2.2.1
- QUICKIE S646 REHAB SEAT ADAPTORS 4.2.2.2
- QUICKIE RHYTHM REHAB AND PERFECT FIT SEAT ADAPTORS..... 4.2.2.3
- QUICKIE ECLIPSE SEAT INSTALLATION HARDWARE 4.2.2.4

4.3 - QUANTUM REHAB

4.3.1 - QUANTUM REHAB BASE ADAPTER KITS

- QUANTUM BASE ADAPTER KITS 4.3.1.1
- QUANTUM BASE ADAPTER KIT 4.3.1.2

4.3.2 - QUANTUM REHAB SEAT INSTALLATION

- QUANTUM SPACIALTY SEAT INSTALLATION HARDWARE..... 4.3.2.1

- QUANTUM SPACIALTY SEAT INSTALLATION HARDWARE..... 4.3.2.2

4.4 - INVACARE

4.4.1 - INVACARE BASE ADAPTER KITS

- INVACARE PRONTO M91 / M91 ADAPTOR KIT 4.4.1.1
- INVACARE TDX 3-4-5 ADAPTOR KIT..... 4.4.1.2
- INVACARE STORM 3G ADAPTOR KIT..... 4.4.1.3
- INVACARE TDX SP ADAPTOR KIT 4.4.1.4

4.4.2 - INVACARE SEAT INSTALLATION

- INSTALLATION HARDWARE FOR INVACARE PEDIATRIC ADJASBA SEAT..... 4.4.2.1
- INSTALLATION HARDWARE FOR INVACARE ADJASBA SEAT..... 4.4.2.2

4.5 - INNOVATION IN MOTION

4.5.1 - INNOVATION IN MOTION BASE ADAPTER KITS

- IIM FRONTIER X5 ADAPTER KIT 4.5.1.1
- IIM FRONTIER X5 ADAPTER KIT 4.5.1.2
- IIM EXTREME X4 ADAPTER KIT..... 4.5.1.3
- IIM FRONTIER V6 ADAPTER KIT..... 4.5.1.4
- IIM EXTREME X8 ADAPTER KIT..... 4.5.1.5

4.5.2 - INNOVATION IN MOTION SEAT ADAPTER KITS

- IIM CAPTAIN SEAT ADAPTER KIT 4.5.2.1

4.6 - OTHER MANUFACTURERS

4.6.1 - GOLDEN TECHNOLOGIES

- GOLDEN COMPASS ADAPTER KIT 4.6.1.1

LEGEND

CURRENT

- These parts and assemblies are currently being produced and delivered.*

SERVICEABLE PARTS

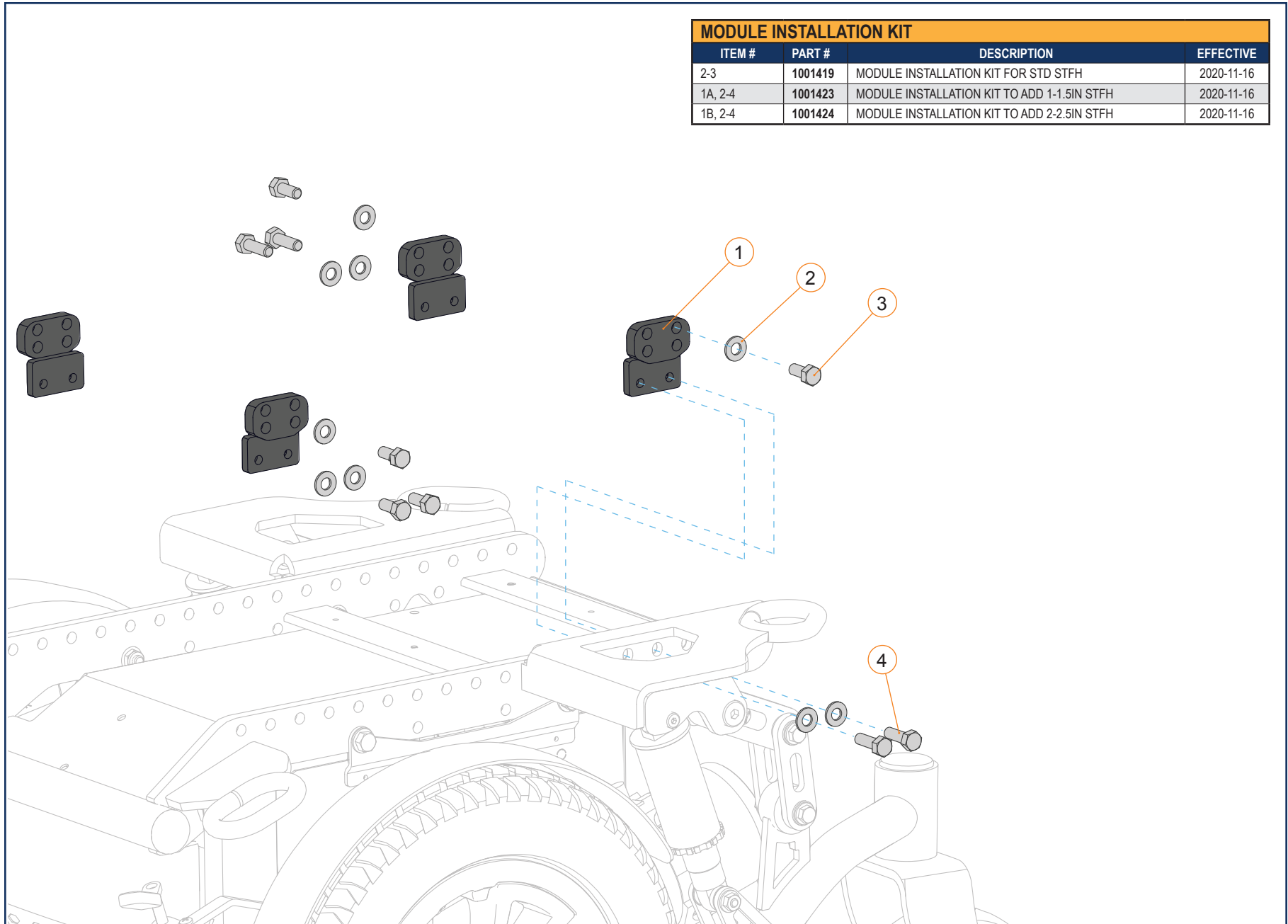
- These parts and assemblies are not currently being produced or delivered on new chairs, but they are available as replacement service parts.*

DISCONTINUED

- These parts and assemblies are no longer being produced or delivered on new chairs, and they are not available as replacement service parts.*

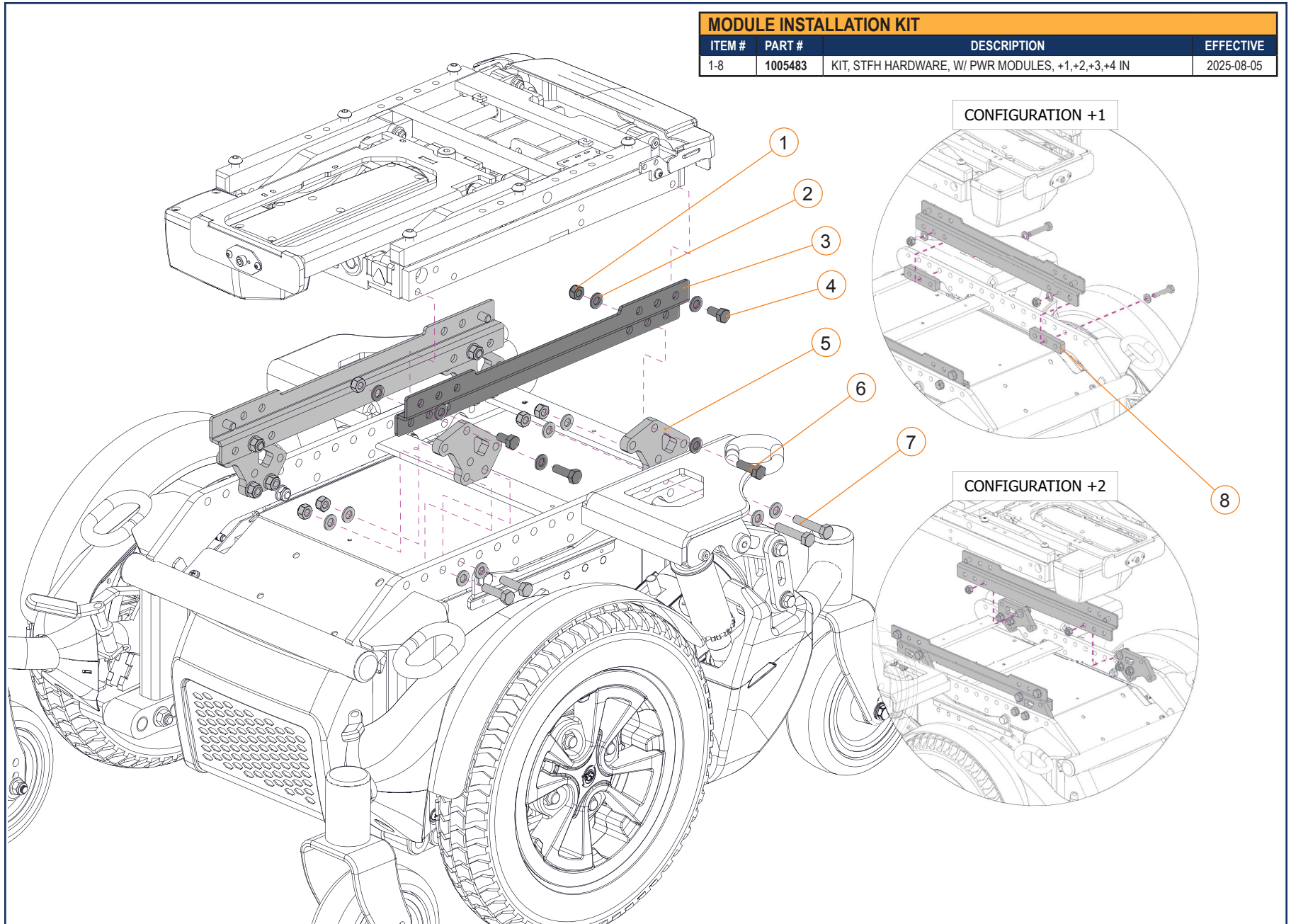
* Please contact Technical Support for information on the replacement parts and assemblies.

ALLTRACK BASE INSTALLATION - SECTION 4.1.1



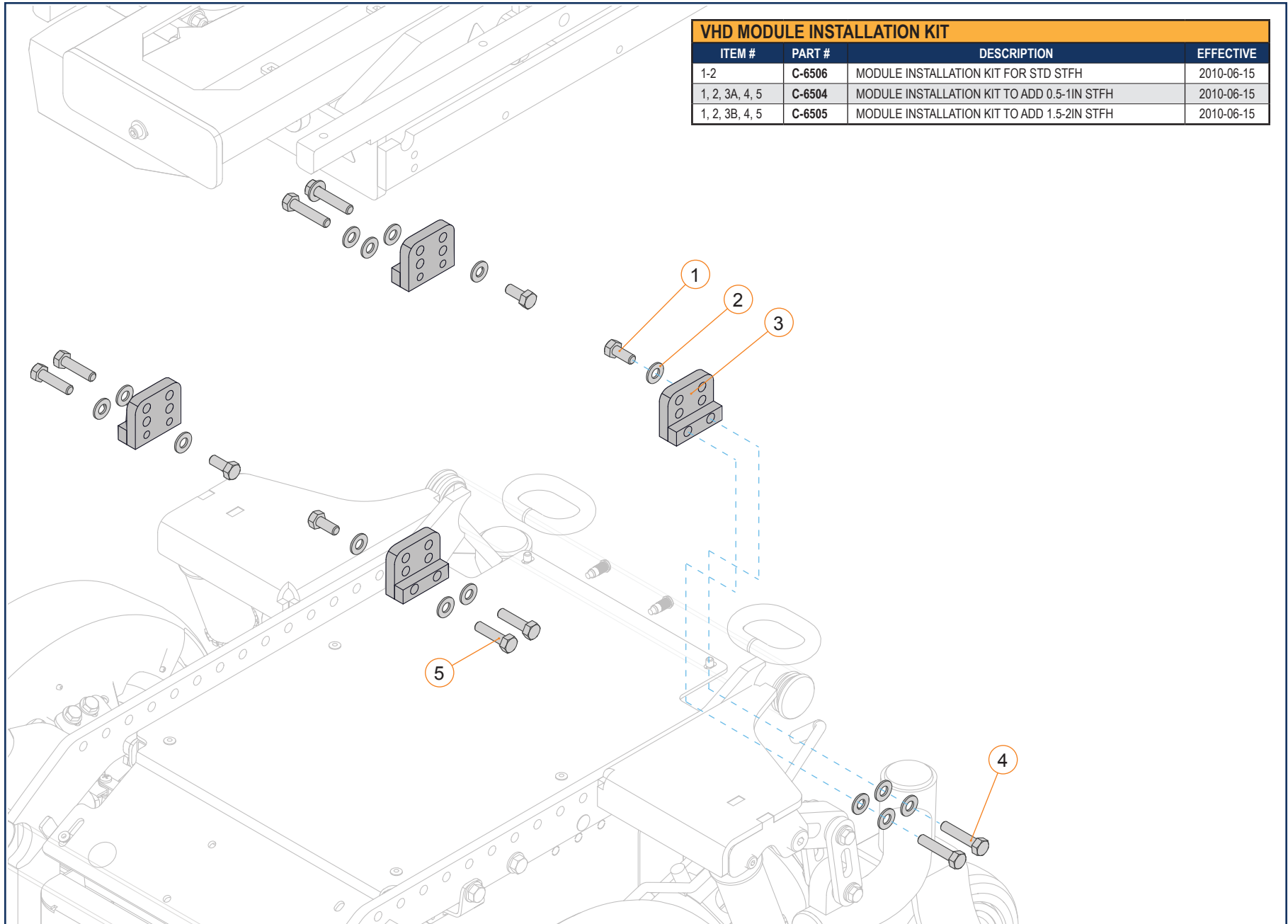
MODULE INSTALLATION KIT			
ITEM #	PART #	DESCRIPTION	EFFECTIVE
2-3	1001419	MODULE INSTALLATION KIT FOR STD STFH	2020-11-16
1A, 2-4	1001423	MODULE INSTALLATION KIT TO ADD 1-1.5IN STFH	2020-11-16
1B, 2-4	1001424	MODULE INSTALLATION KIT TO ADD 2-2.5IN STFH	2020-11-16

INSTALLATION MODULE BASE ALLTRACK - SECTION 4.1.1



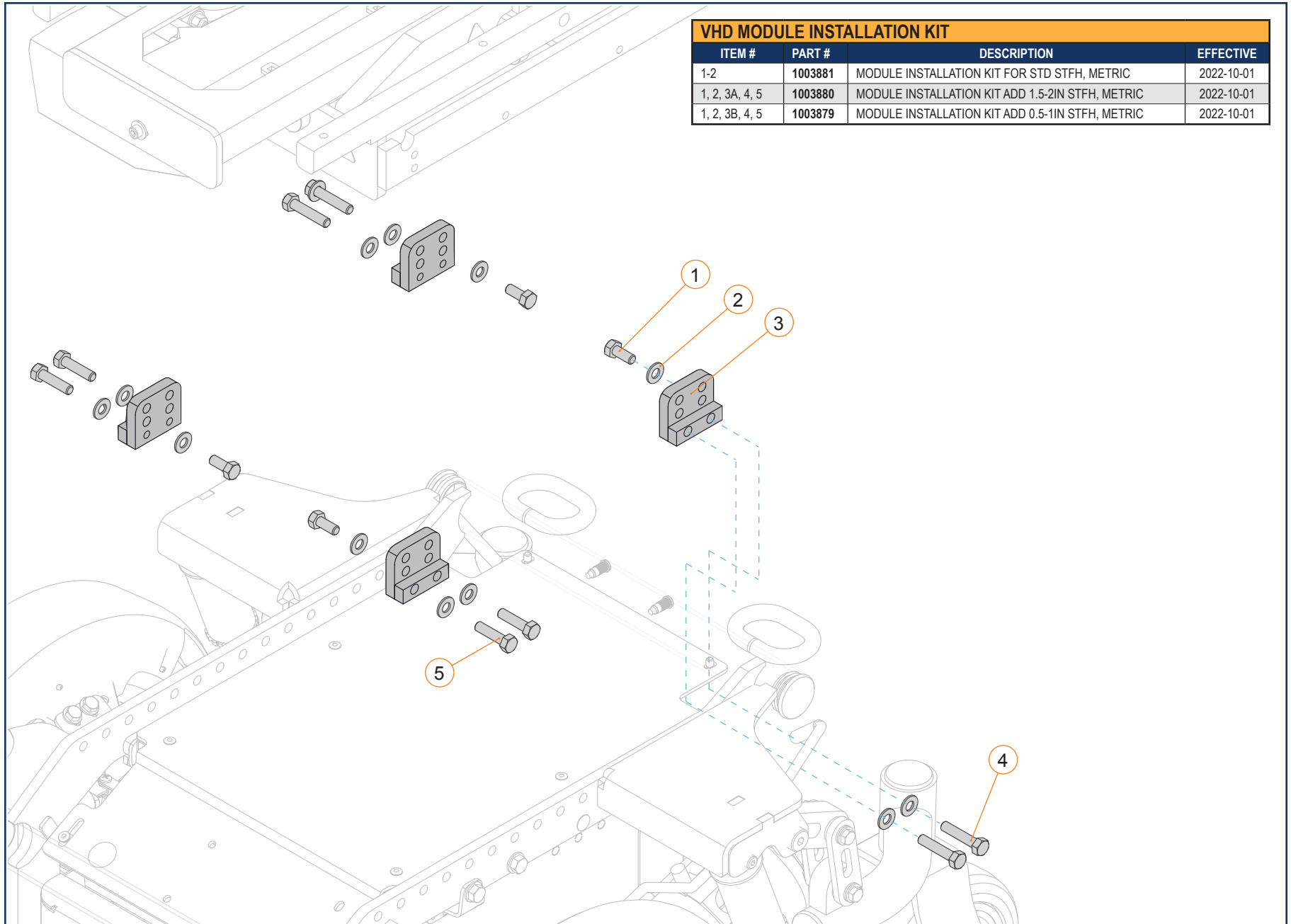
MODULE INSTALLATION KIT			
ITEM #	PART #	DESCRIPTION	EFFECTIVE
1-8	1005483	KIT, STFH HARDWARE, W/ PWR MODULES, +1,+2,+3,+4 IN	2025-08-05

ALLTRACK BASE INSTALLATION - SECTION 4.1.1



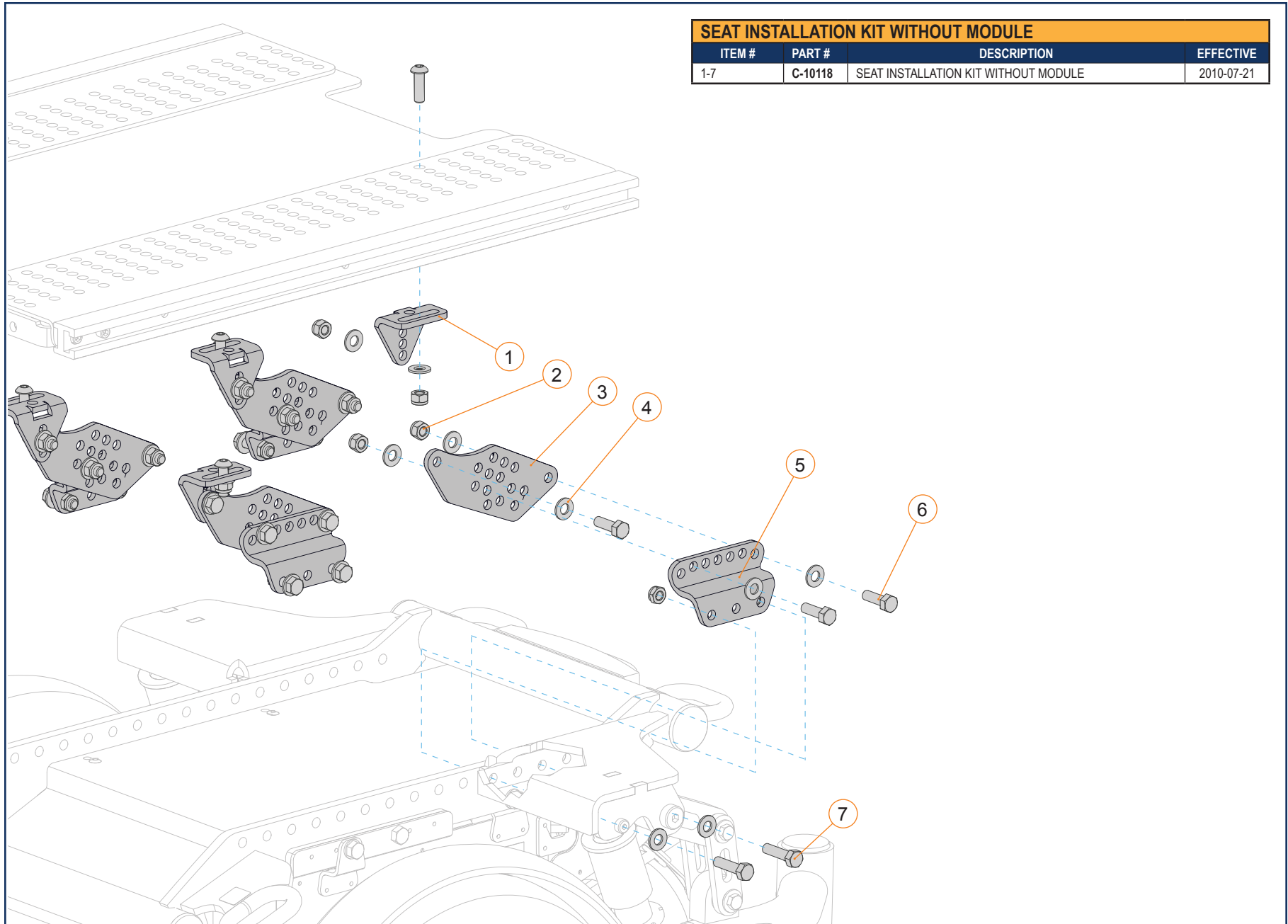
VHD MODULE INSTALLATION KIT			
ITEM #	PART #	DESCRIPTION	EFFECTIVE
1-2	C-6506	MODULE INSTALLATION KIT FOR STD STFH	2010-06-15
1, 2, 3A, 4, 5	C-6504	MODULE INSTALLATION KIT TO ADD 0.5-1IN STFH	2010-06-15
1, 2, 3B, 4, 5	C-6505	MODULE INSTALLATION KIT TO ADD 1.5-2IN STFH	2010-06-15

ALLTRACK BASE INSTALLATION - SECTION 4.1.1

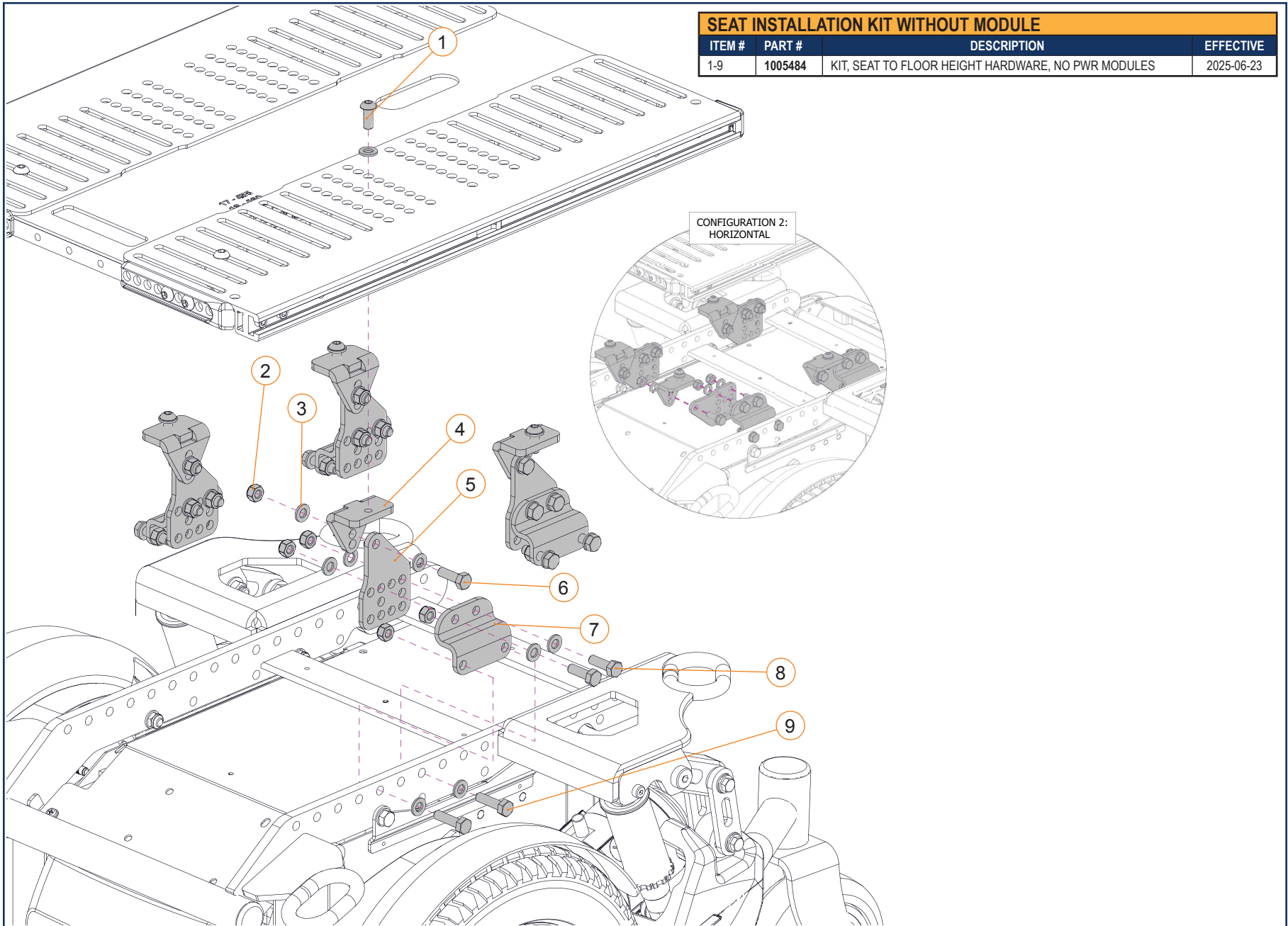


VHD MODULE INSTALLATION KIT			
ITEM #	PART #	DESCRIPTION	EFFECTIVE
1-2	1003881	MODULE INSTALLATION KIT FOR STD STFH, METRIC	2022-10-01
1, 2, 3A, 4, 5	1003880	MODULE INSTALLATION KIT ADD 1.5-2IN STFH, METRIC	2022-10-01
1, 2, 3B, 4, 5	1003879	MODULE INSTALLATION KIT ADD 0.5-1IN STFH, METRIC	2022-10-01

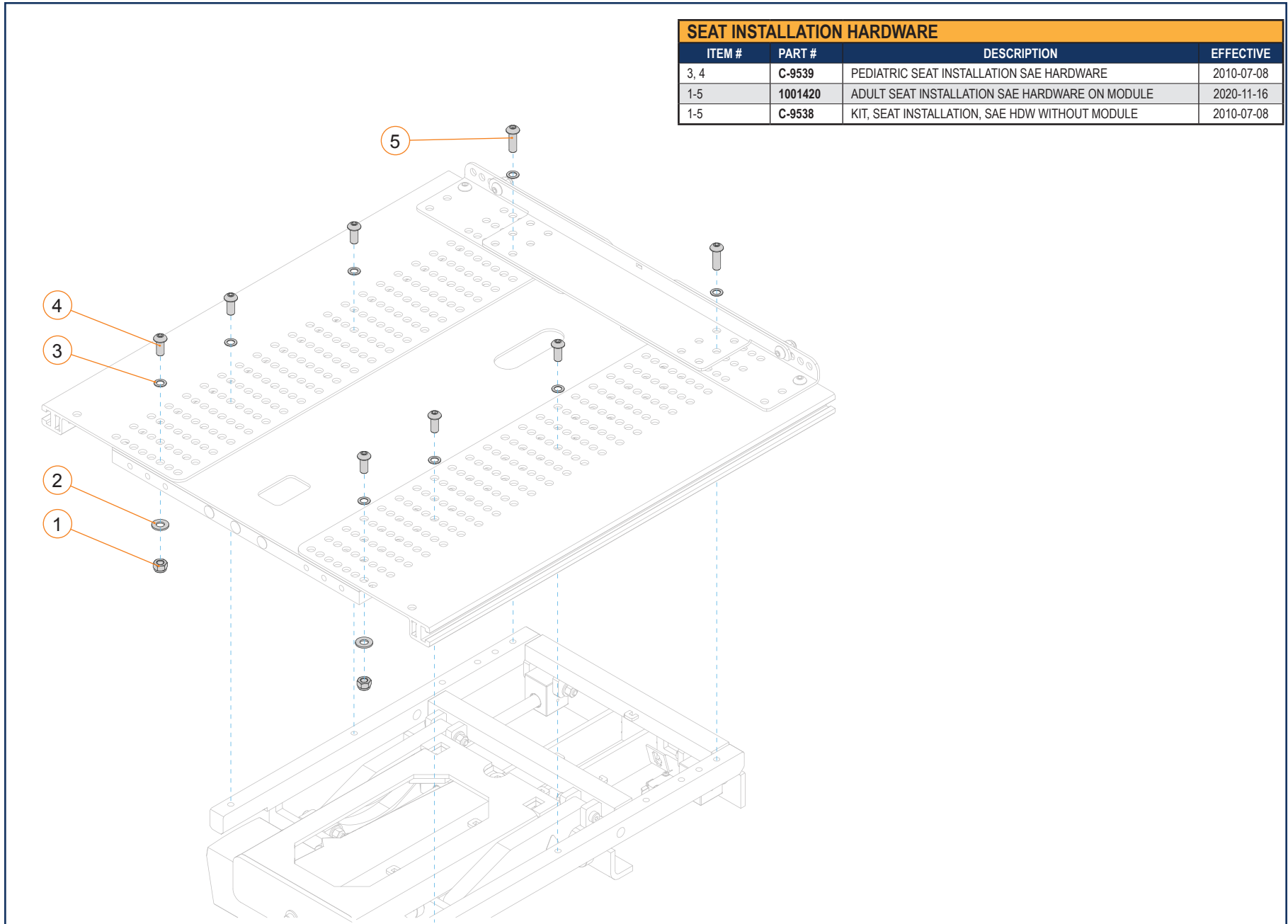
ALLTRACK BASE INSTALLATION - SECTION 4.1.1



SEAT INSTALLATION KIT WITHOUT MODULE			
ITEM #	PART #	DESCRIPTION	EFFECTIVE
1-7	C-10118	SEAT INSTALLATION KIT WITHOUT MODULE	2010-07-21

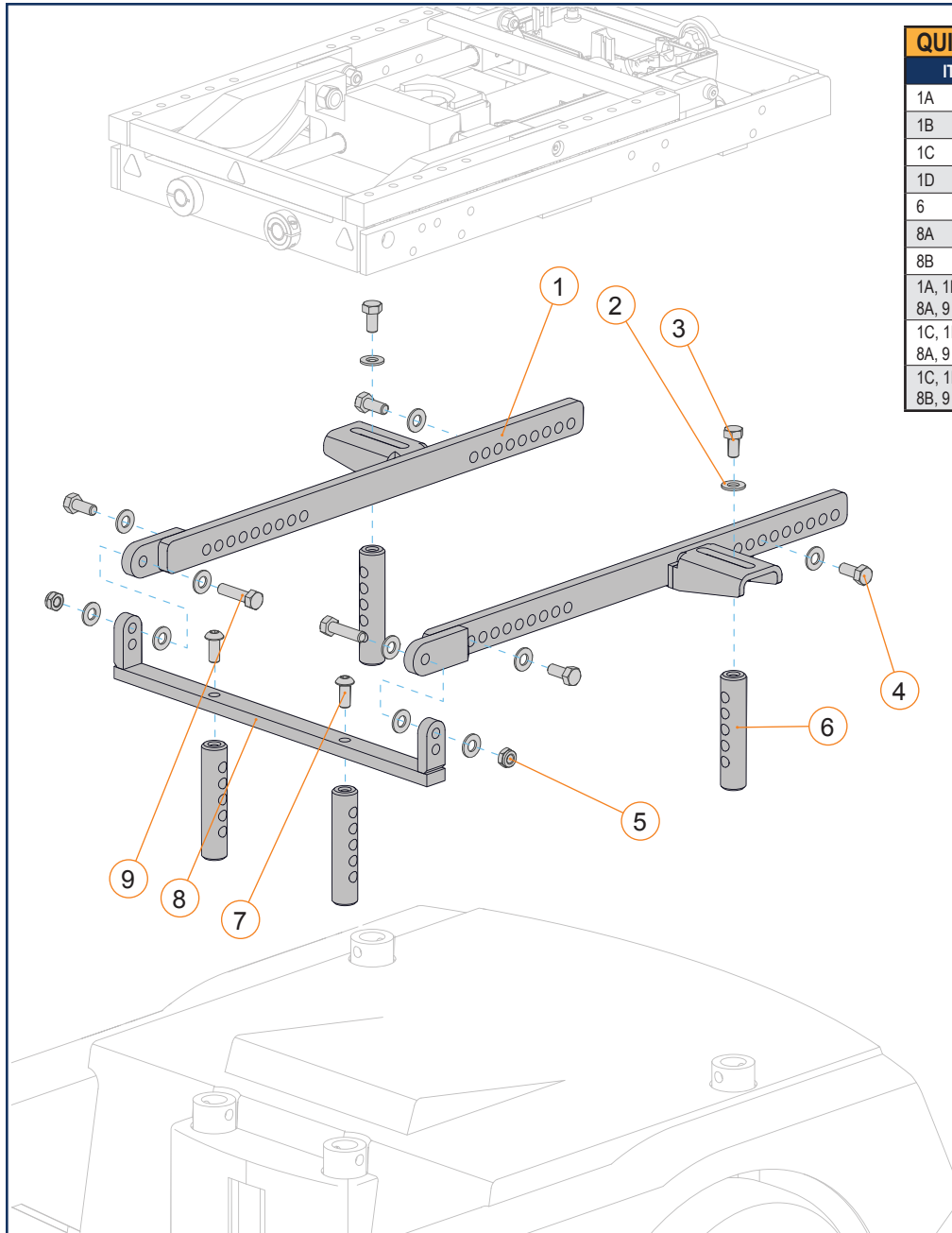


AMYSEAT II INSTALLATION - SECTION 4.1.2



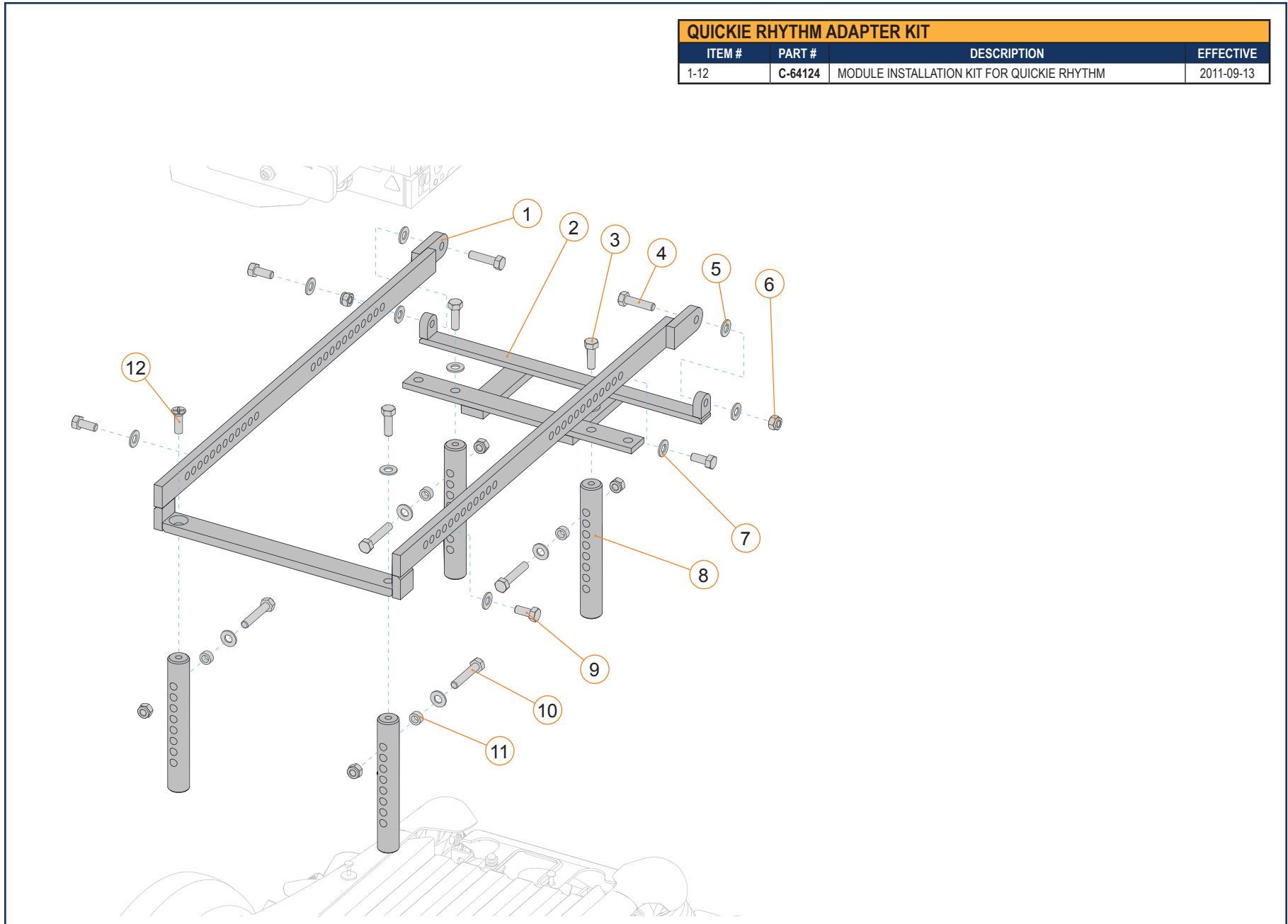
SEAT INSTALLATION HARDWARE			
ITEM #	PART #	DESCRIPTION	EFFECTIVE
3, 4	C-9539	PEDIATRIC SEAT INSTALLATION SAE HARDWARE	2010-07-08
1-5	1001420	ADULT SEAT INSTALLATION SAE HARDWARE ON MODULE	2020-11-16
1-5	C-9538	KIT, SEAT INSTALLATION, SAE HDW WITHOUT MODULE	2010-07-08

QUICKIE BASE INSTALLATION - SECTION 4.2.1



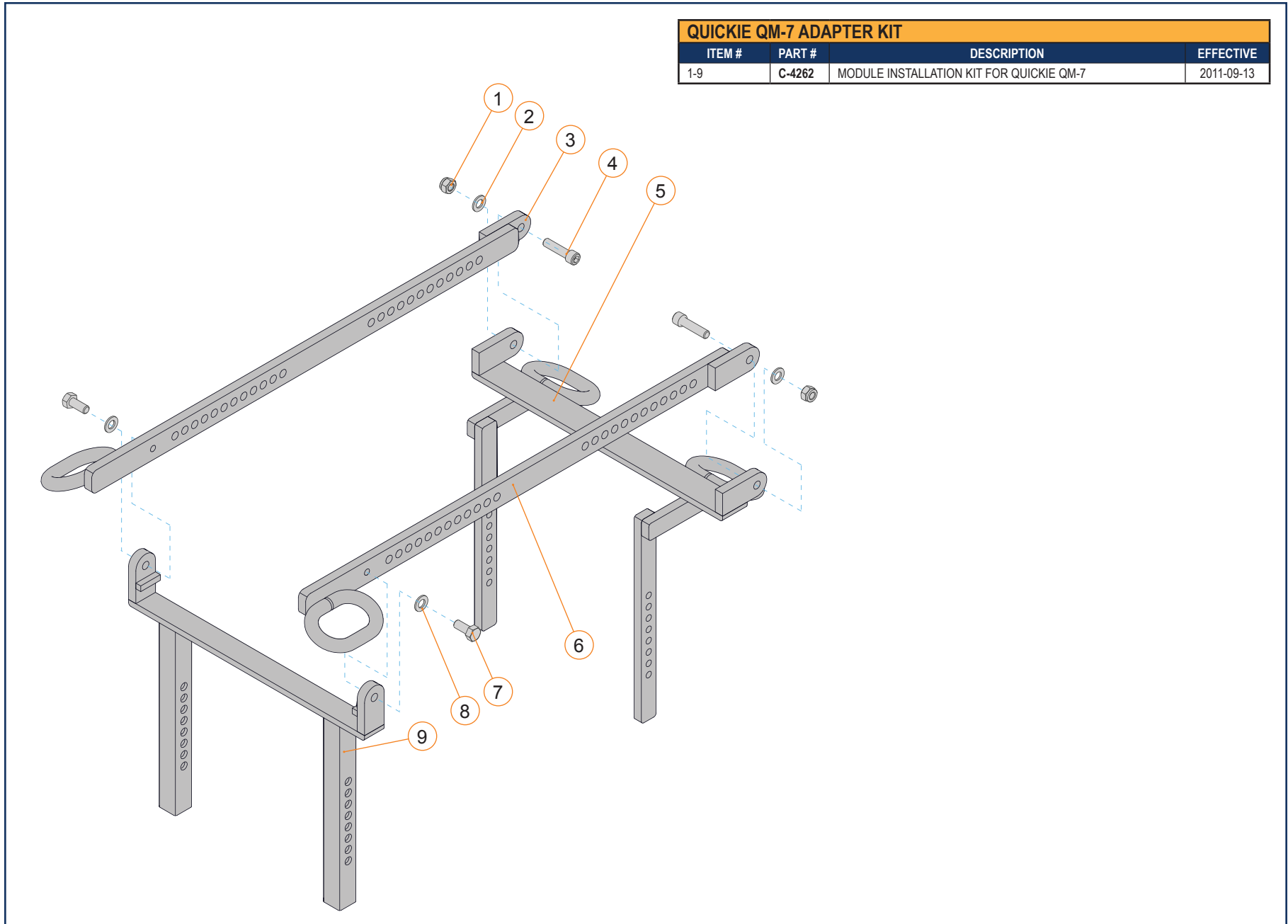
QUICKIE FREESTYLE ADAPTOR KIT			
ITEM #	PART #	DESCRIPTION	EFFECTIVE
1A	A5215	FREESTYLE M11 RIGHT ADAPTER PLATE	2008-04-30
1B	A5216	FREESTYLE M11 LEFT ADAPTER PLATE	2008-04-30
1C	A5214	FREESTYLE F11 RIGHT ADAPTER PLATE	2008-04-30
1D	A5213	FREESTYLE F11 LEFT ADAPTER PLATE	2008-04-30
6	A5015	FREESTYLE HEIGHT ADJUSTMENT BRACKET	2008-04-30
8A	A5212	FREESTYLE FRONT ADAPTER PLATE	2008-04-30
8B	A5236	FREESTYLE F11 FRONT ADAPTER PLATE (RAMQ)	2008-04-30
1A, 1B, 2-7, 8A, 9	C-64100	QUICKIE FREESTYLE M11 ADAPTOR KIT	2011-09-23
1C, 1D, 2-7, 8A, 9	C-64101	QUICKIE FREESTYLE F11 ADAPTOR KIT	2011-09-23
1C, 1D, 2-7, 8B, 9	C-64125	QUICKIE FREESTYLE F11 ADAPTOR KIT (RAMQ)	2011-09-23

QUICKIE BASE INSTALLATION - SECTION 4.2.1



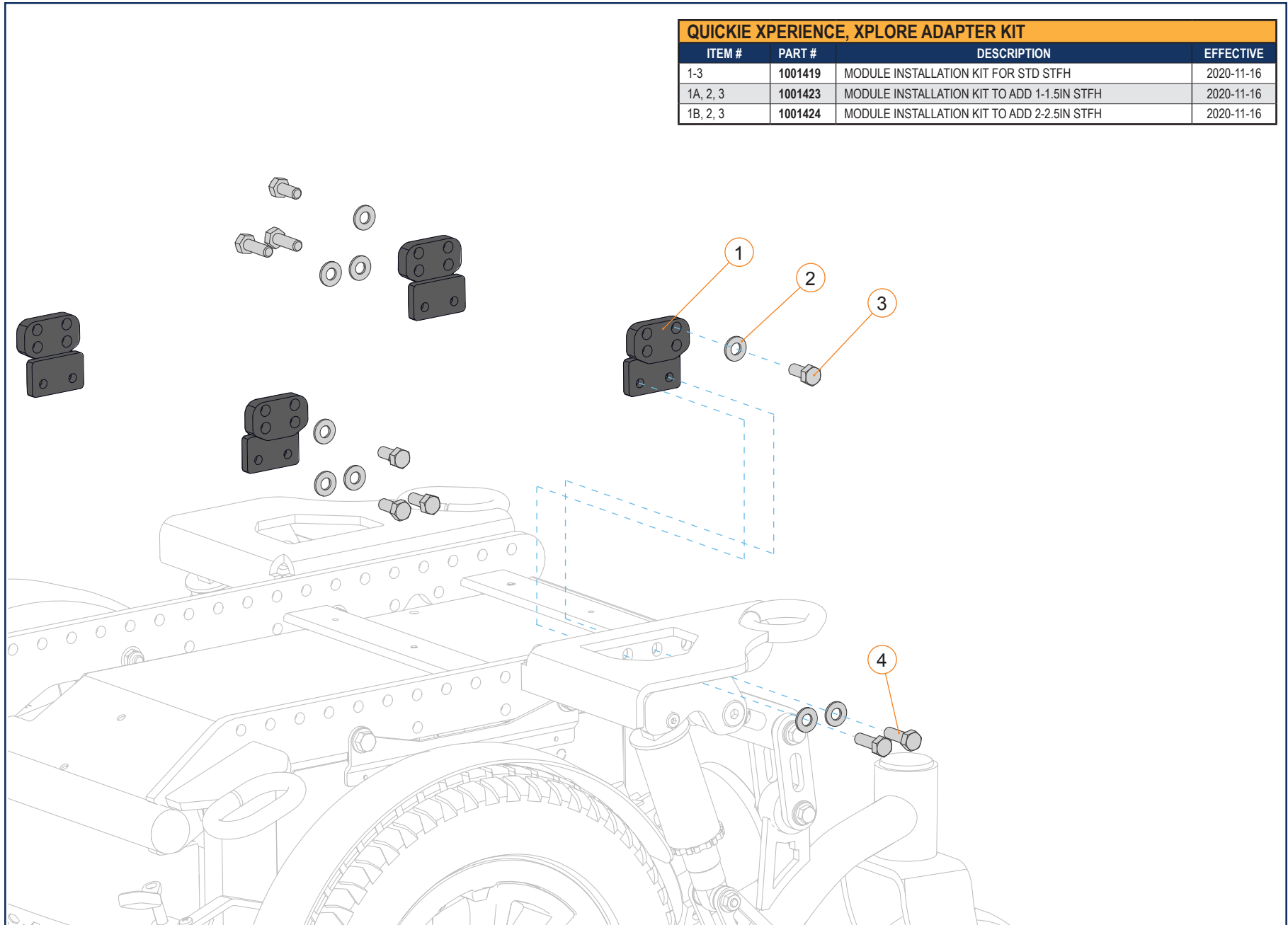
QUICKIE RHYTHM ADAPTER KIT			
ITEM #	PART #	DESCRIPTION	EFFECTIVE
1-12	C-64124	MODULE INSTALLATION KIT FOR QUICKIE RHYTHM	2011-09-13

QUICKIE BASE INSTALLATION - SECTION 4.2.1



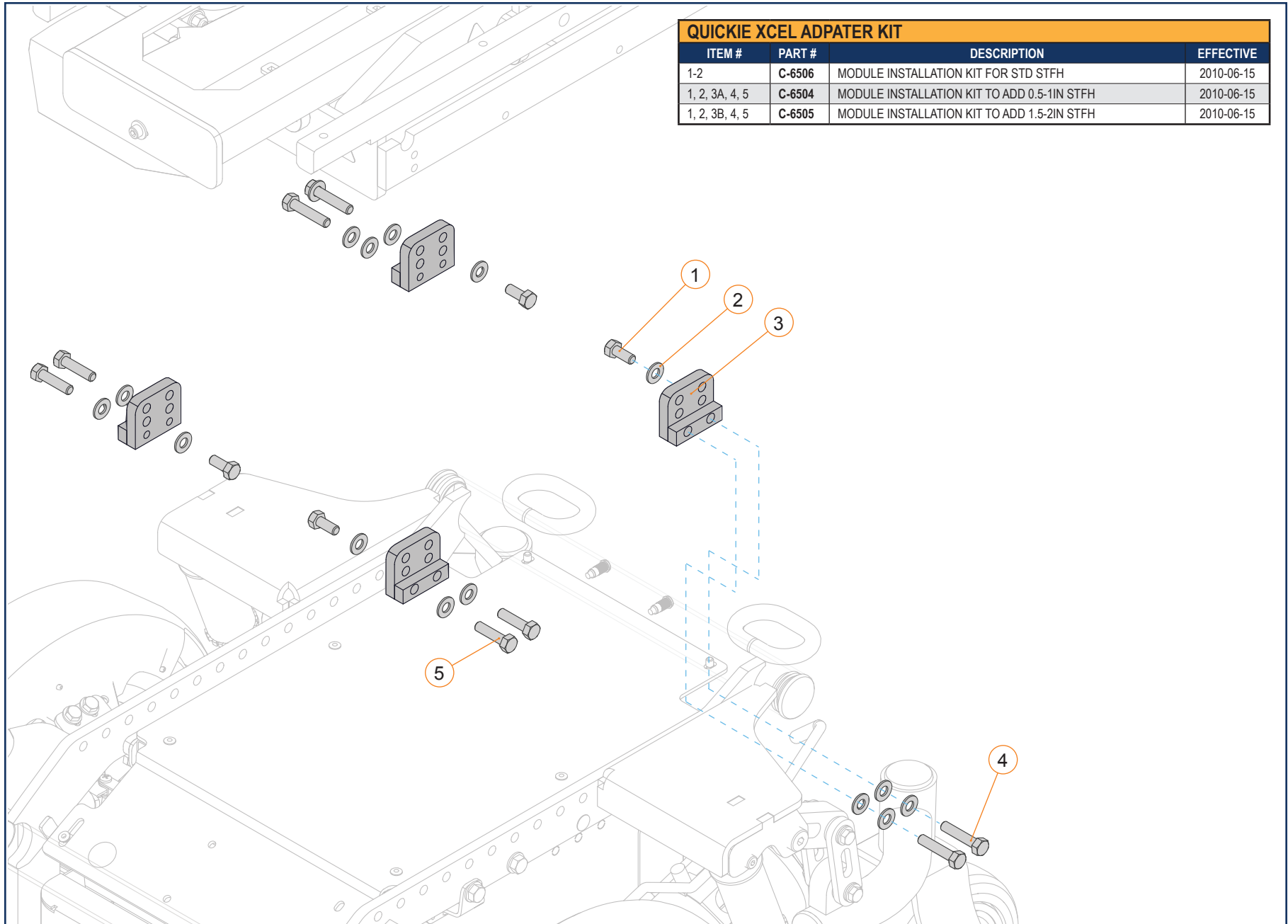
QUICKIE QM-7 ADAPTER KIT			
ITEM #	PART #	DESCRIPTION	EFFECTIVE
1-9	C-4262	MODULE INSTALLATION KIT FOR QUICKIE QM-7	2011-09-13

QUICKIE BASE INSTALLATION - SECTION 4.2.1

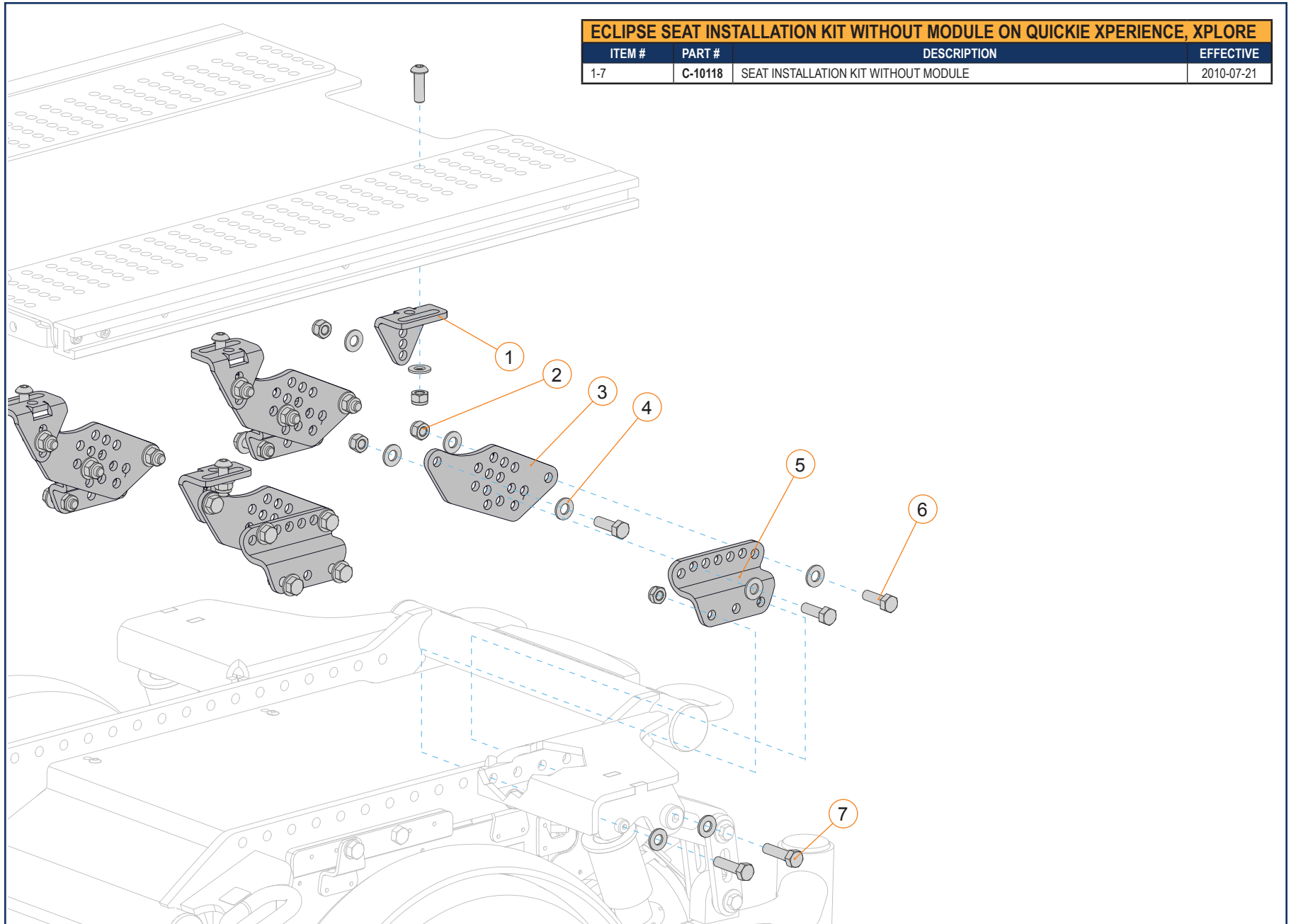


QUICKIE XPERIENCE, XPLORE ADAPTER KIT			
ITEM #	PART #	DESCRIPTION	EFFECTIVE
1-3	1001419	MODULE INSTALLATION KIT FOR STD STFH	2020-11-16
1A, 2, 3	1001423	MODULE INSTALLATION KIT TO ADD 1-1.5IN STFH	2020-11-16
1B, 2, 3	1001424	MODULE INSTALLATION KIT TO ADD 2-2.5IN STFH	2020-11-16

QUICKIE BASE INSTALLATION - SECTION 4.2.1



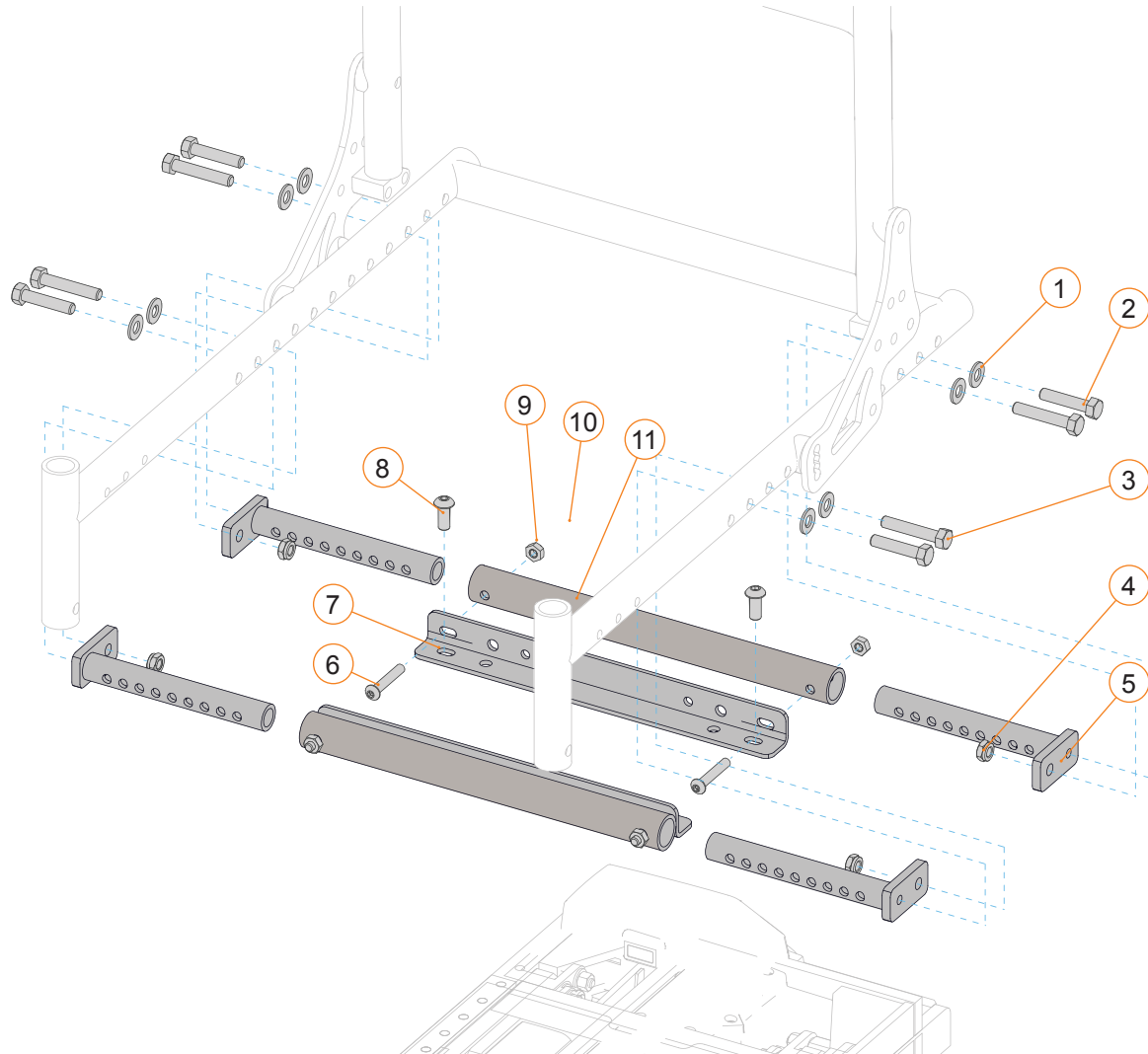
QUICKIE BASE INSTALLATION - SECTION 4.2.1



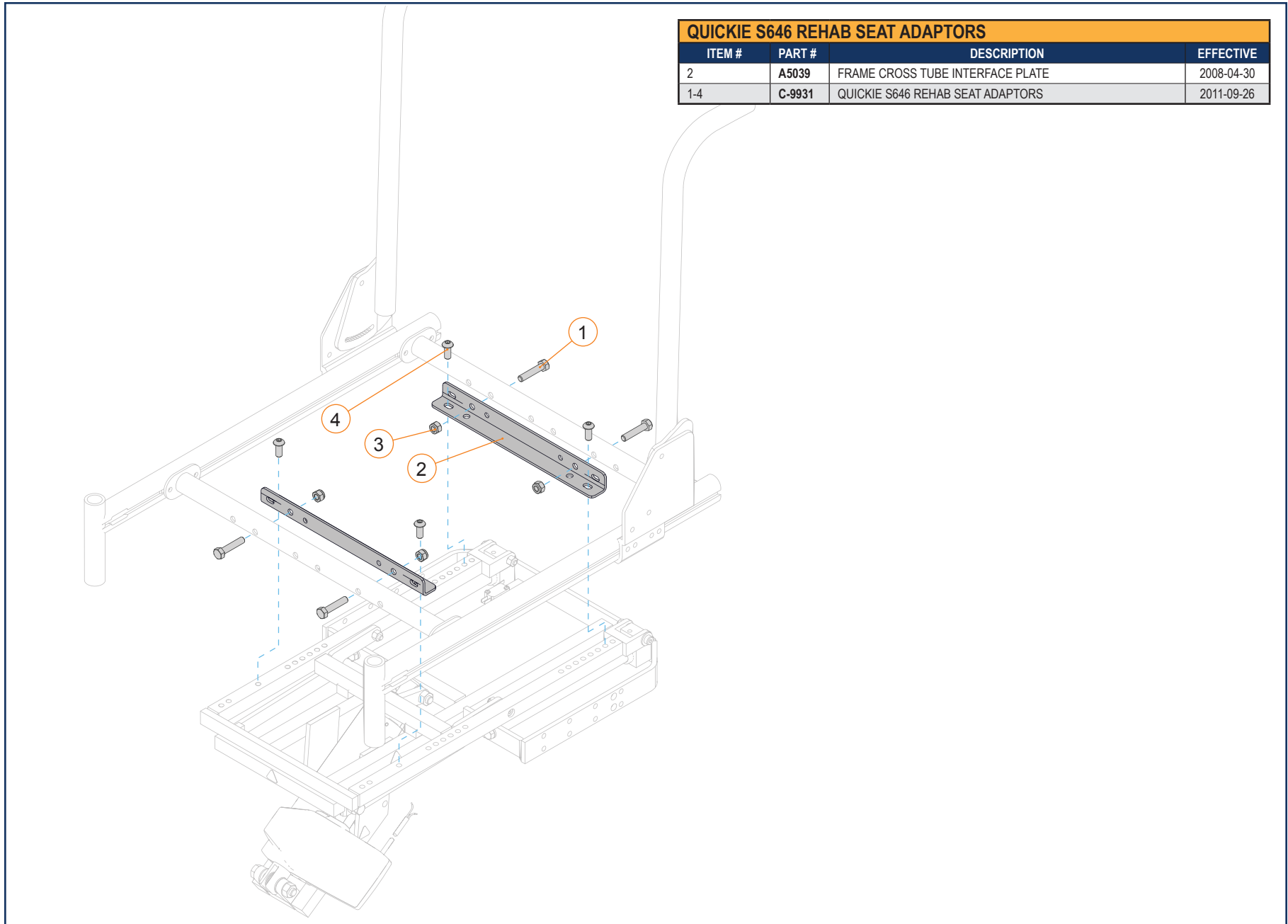
ECLIPSE SEAT INSTALLATION KIT WITHOUT MODULE ON QUICKIE XPERIENCE, XPLORE			
ITEM #	PART #	DESCRIPTION	EFFECTIVE
1-7	C-10118	SEAT INSTALLATION KIT WITHOUT MODULE	2010-07-21

QUICKIE SEAT INSTALLATION - SECTION 4.2.2

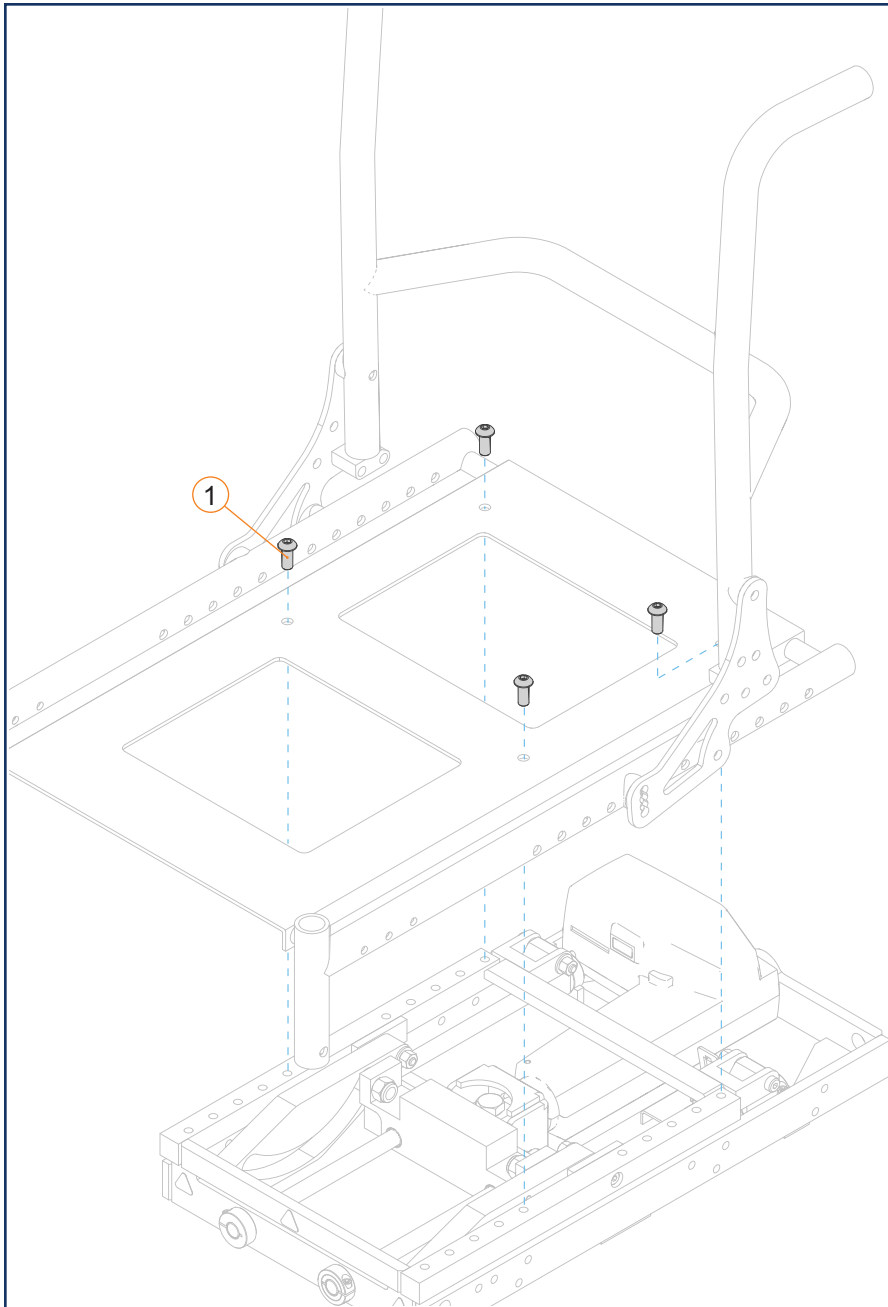
QUICKIE S525 AND FREESTYLE REHAB SEAT ADAPTORS			
ITEM #	PART #	DESCRIPTION	EFFECTIVE
5	A00153	WIDTH ADJUSTABLE FRAME BRACKET	2008-04-30
7	A5039	FRAME CROSS TUBE INTERFACE PLATE	2008-04-30
11	A00174	FRAME CROSS TUBE	2008-04-30
1-11	C-9930	QUICKIE FREESTYLE REHAB SEAT ADAPTORS	2011-09-26
1-11	C-9933	QUICKIE S525 REHAB SEAT ADAPTORS	2011-09-26



QUICKIE SEAT INSTALLATION - SECTION 4.2.2



QUICKIE SEAT INSTALLATION - SECTION 4.2.2

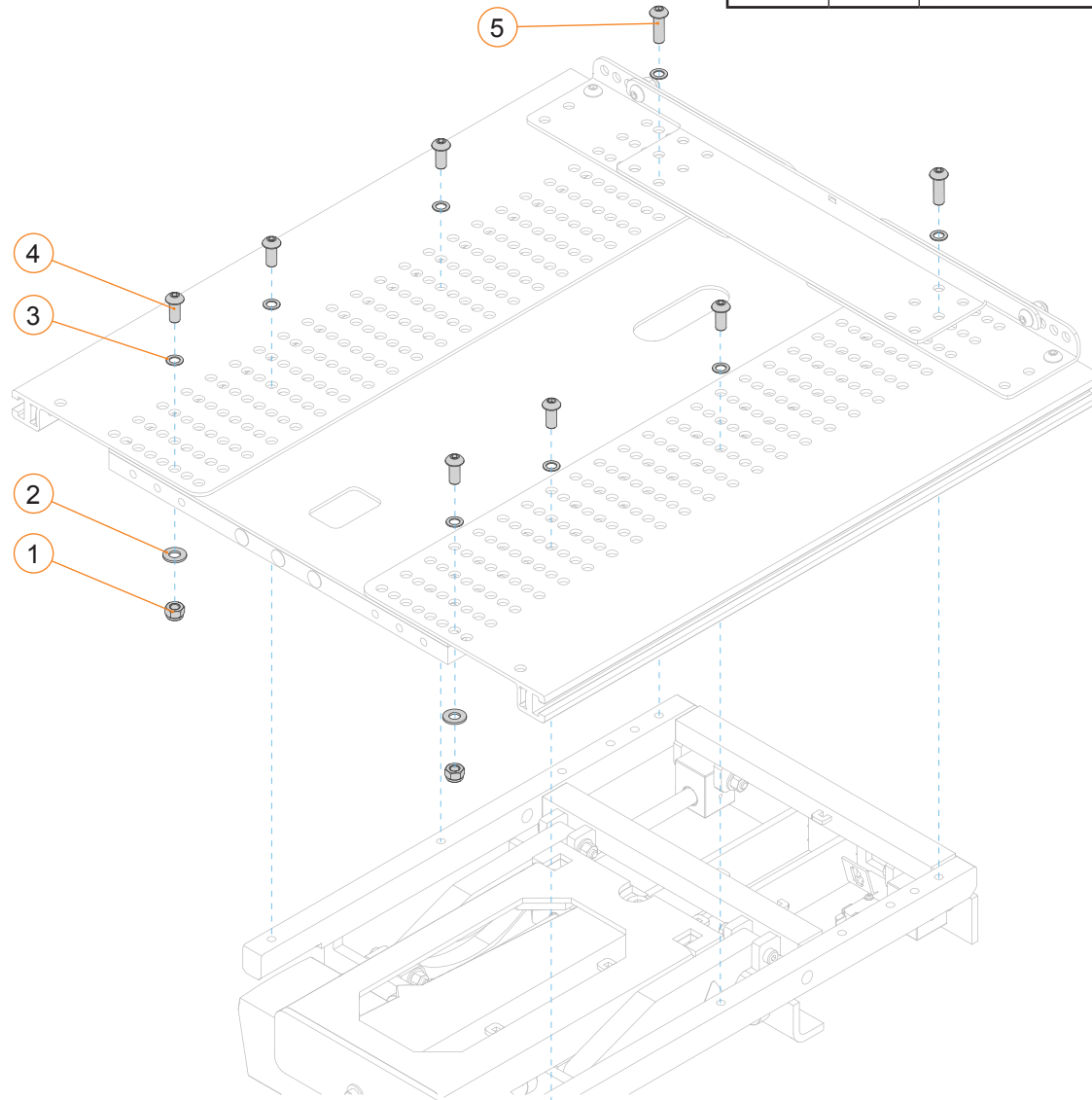


QUICKIE RHYTHM REHAB AND PERFECT FIT SEAT ADAPTORS

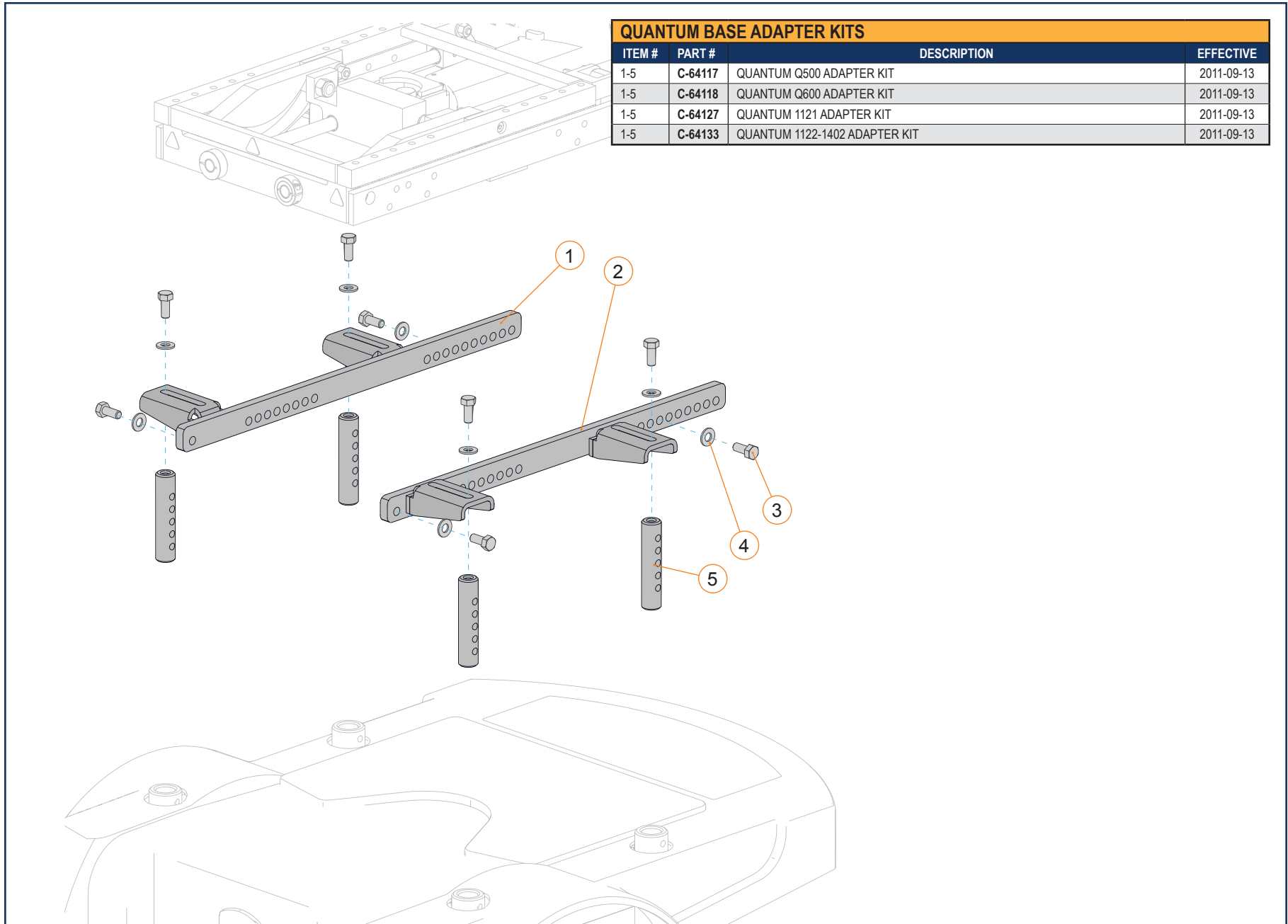
ITEM #	PART #	DESCRIPTION	EFFECTIVE
1A	C-9929	QUICKIE RHYTHM REHAB SEAT ADAPTORS	2011-09-26
1B	C-9928	QUICKIE PERFECT FIT SEAT ADAPTORS	2011-09-26

QUICKIE SEAT INSTALLATION - SECTION 4.2.2

QUICKIE ECLIPSE SEAT INSTALLATION HARDWARE			
ITEM #	PART #	DESCRIPTION	EFFECTIVE
3, 4	C-9539	QUICKIE ECLIPSE PEDIATRICS SEAT INSTALLATION SAE HARDWARE	2010-07-08
1-5	1001420	QUICKIE ECLIPSE ADULT SEAT INSTALLATION SAE HARDWARE ON MODULE	2020-11-16
1-5	C-9538	QUICKIE ECLIPSE ADULT SEAT INSTALLATION SAE HARDWARE WITHOUT MODULE	2010-07-08

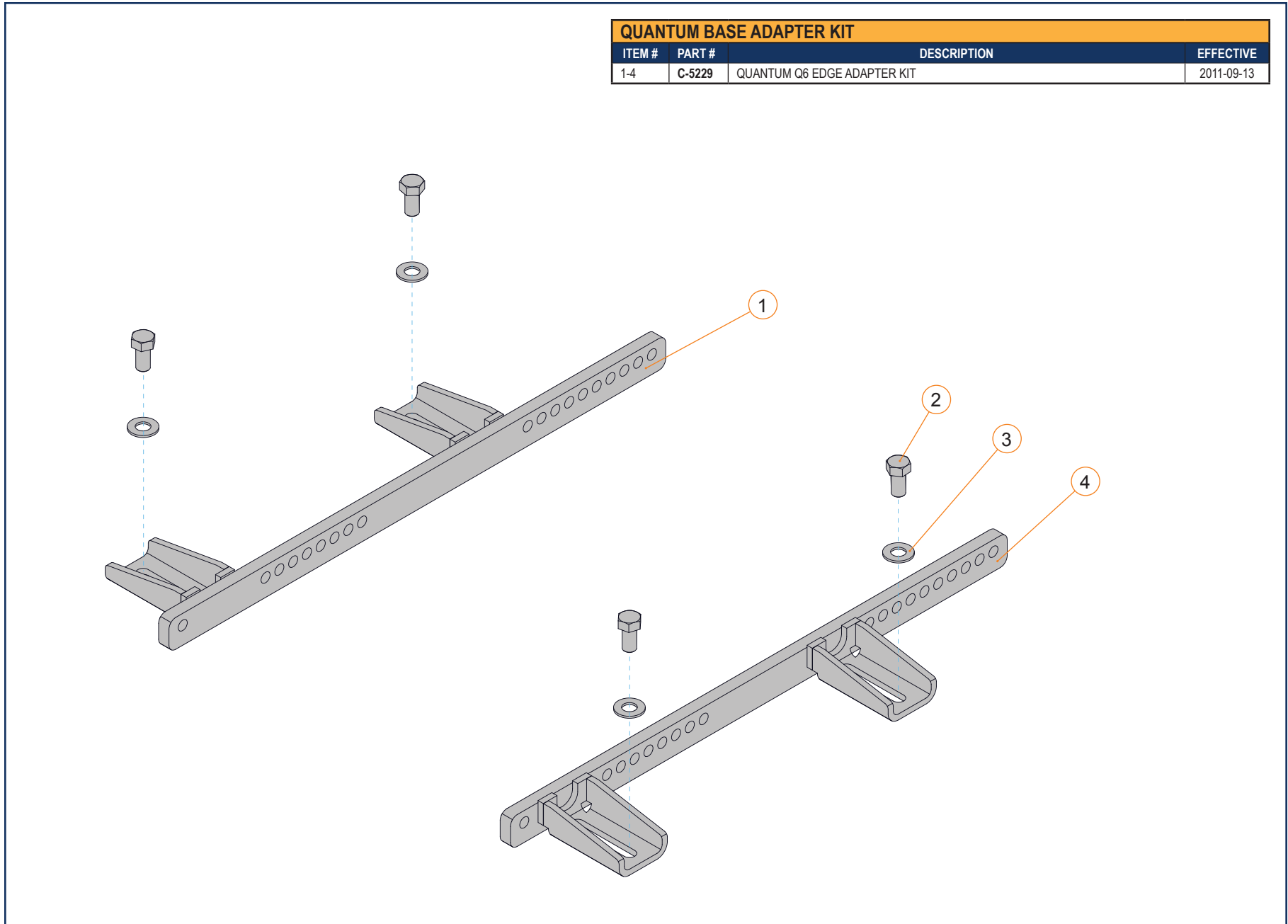


QUANTUM REHAB BASE ADAPTER KITS - SECTION 4.3.1

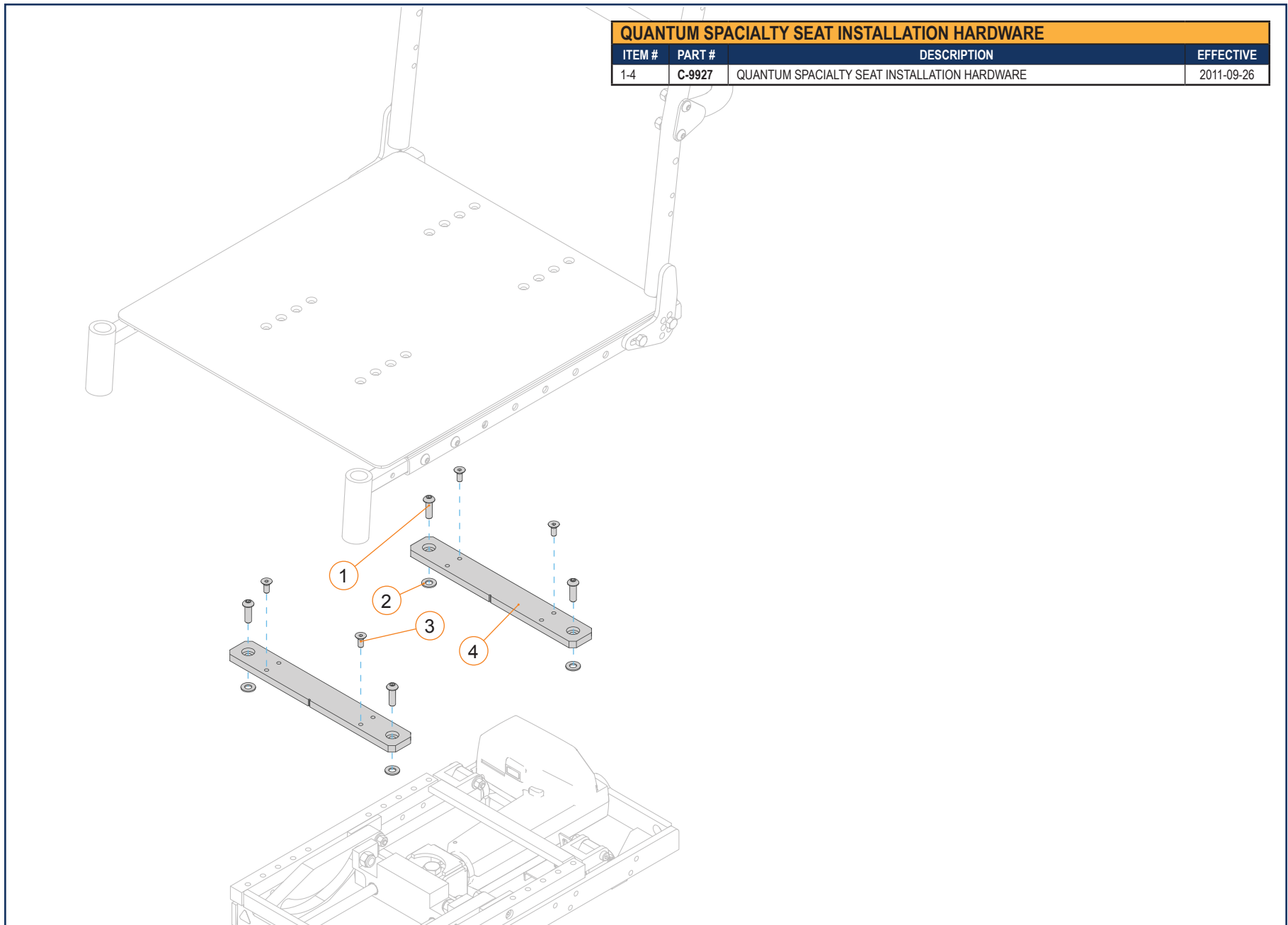


QUANTUM BASE ADAPTER KITS			
ITEM #	PART #	DESCRIPTION	EFFECTIVE
1-5	C-64117	QUANTUM Q500 ADAPTER KIT	2011-09-13
1-5	C-64118	QUANTUM Q600 ADAPTER KIT	2011-09-13
1-5	C-64127	QUANTUM 1121 ADAPTER KIT	2011-09-13
1-5	C-64133	QUANTUM 1122-1402 ADAPTER KIT	2011-09-13

QUANTUM REHAB BASE ADAPTER KITS - SECTION 4.3.1

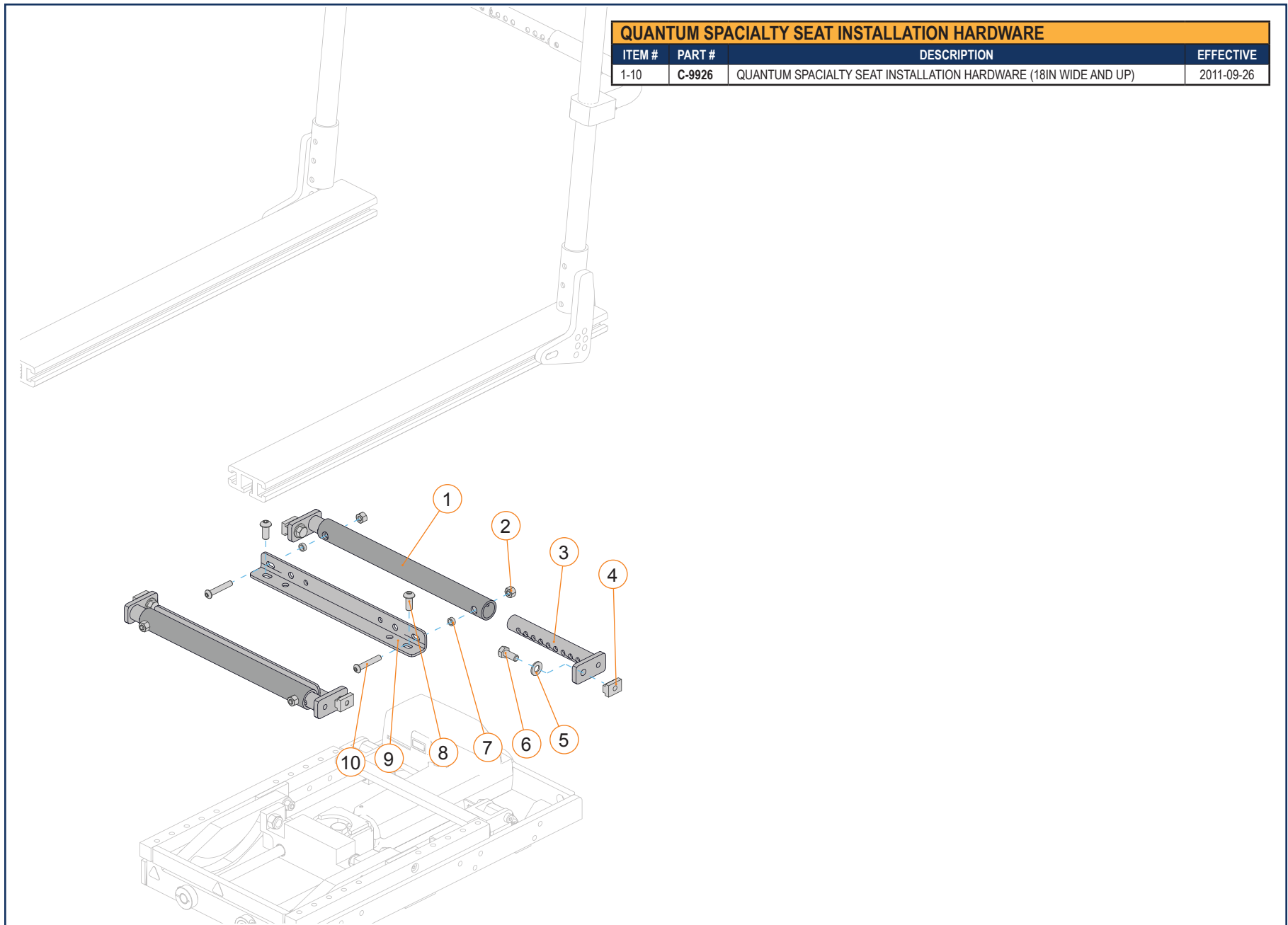


QUANTUM REHAB SEAT INSTALLATION - SECTION 4.3.2



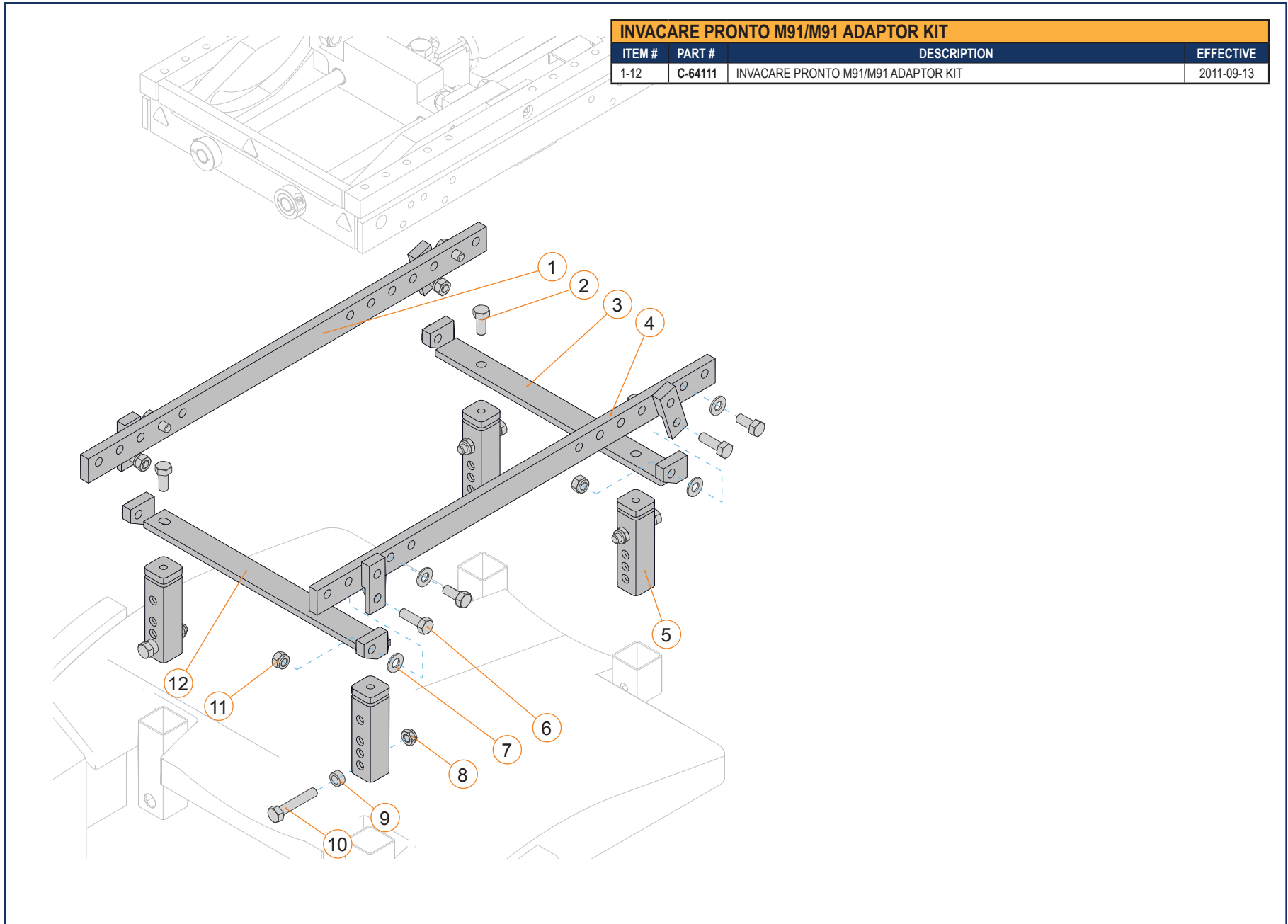
QUANTUM SPACIALTY SEAT INSTALLATION HARDWARE			
ITEM #	PART #	DESCRIPTION	EFFECTIVE
1-4	C-9927	QUANTUM SPACIALTY SEAT INSTALLATION HARDWARE	2011-09-26

QUANTUM REHAB SEAT INSTALLATION - SECTION 4.3.2



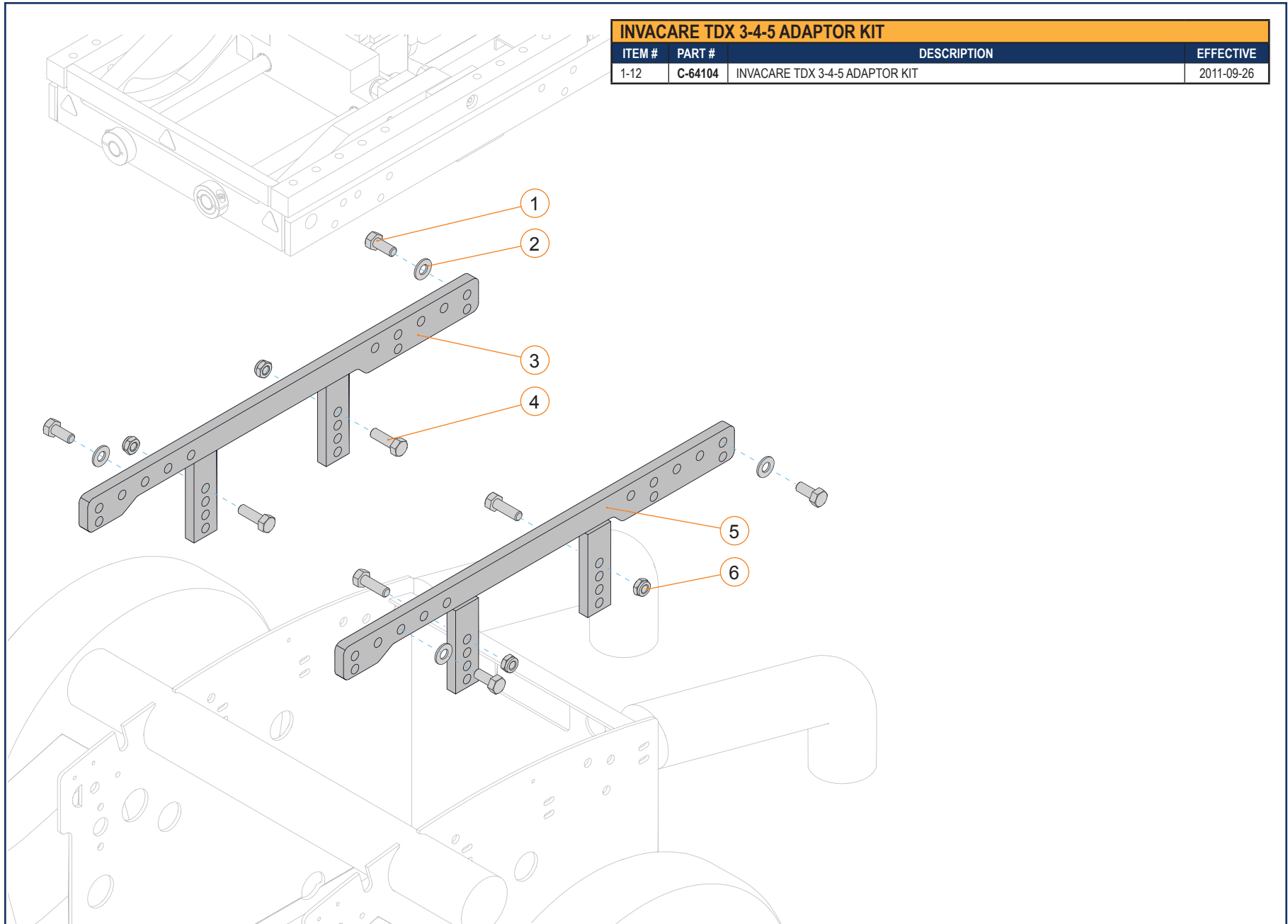
QUANTUM SPACIALTY SEAT INSTALLATION HARDWARE			
ITEM #	PART #	DESCRIPTION	EFFECTIVE
1-10	C-9926	QUANTUM SPACIALTY SEAT INSTALLATION HARDWARE (18IN WIDE AND UP)	2011-09-26

INVACARE BASE ADAPTER KITS - SECTION 4.4.1

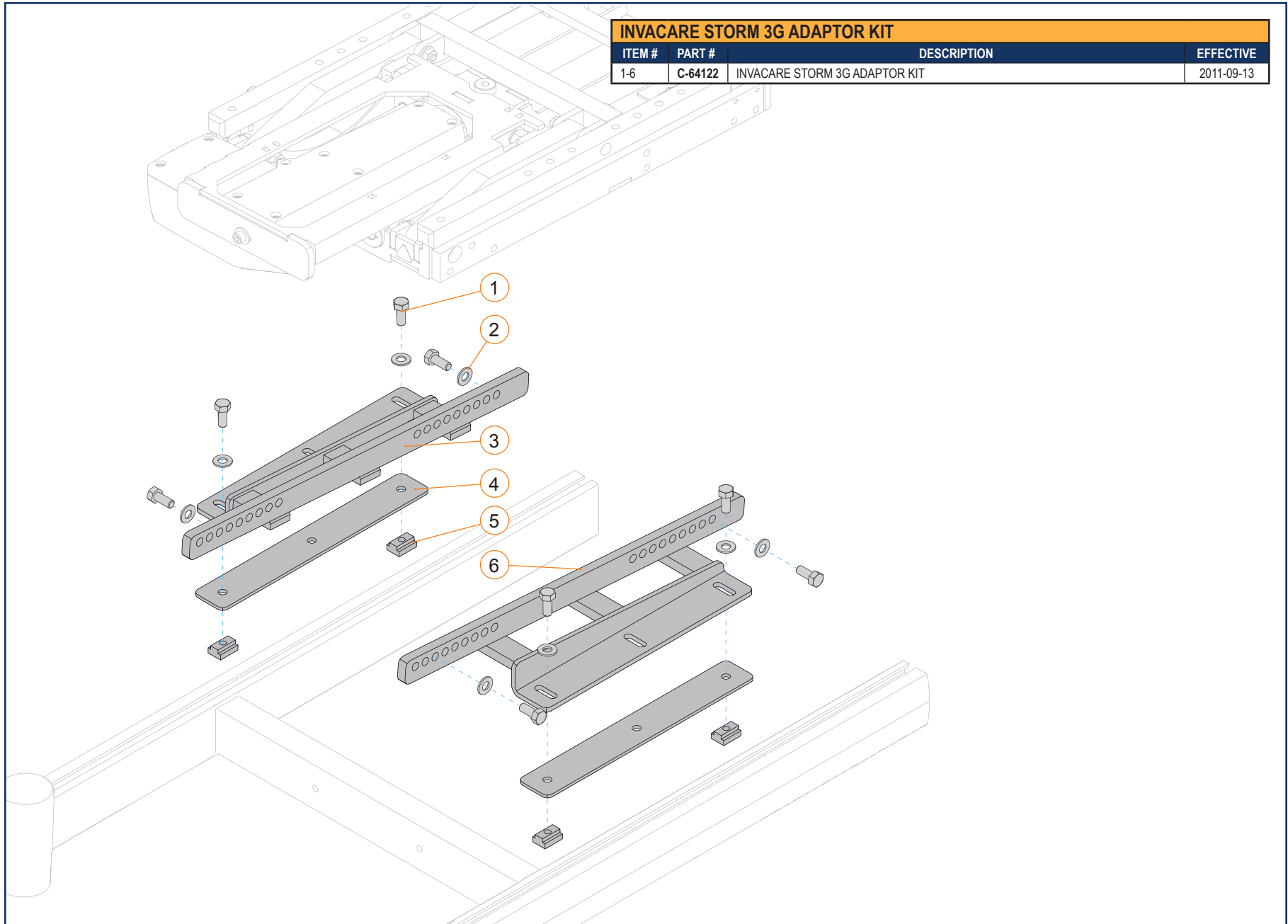


4.4.1.1

INVACARE BASE ADAPTER KITS - SECTION 4.4.1

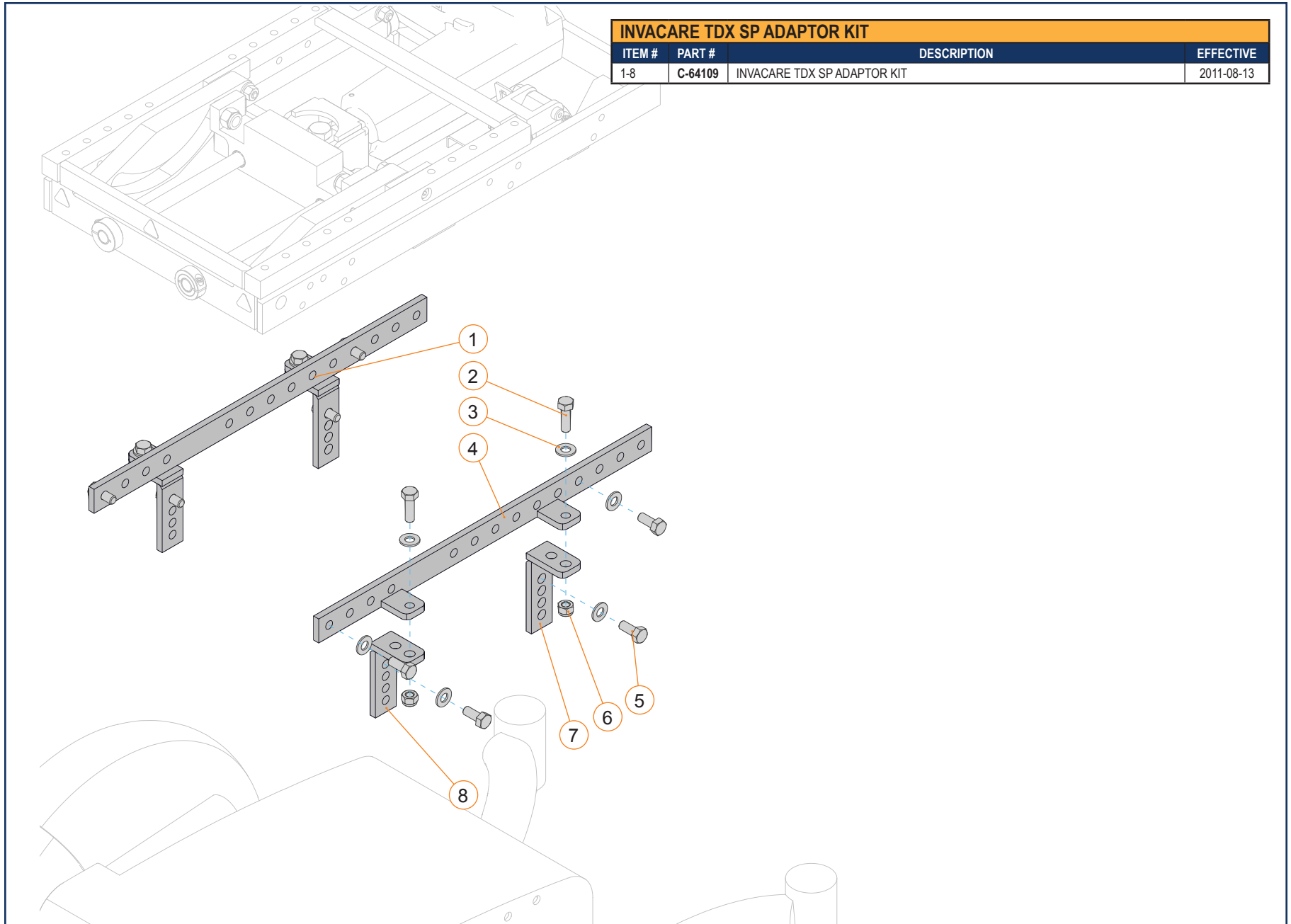


INVACARE BASE ADAPTER KITS - SECTION 4.4.1



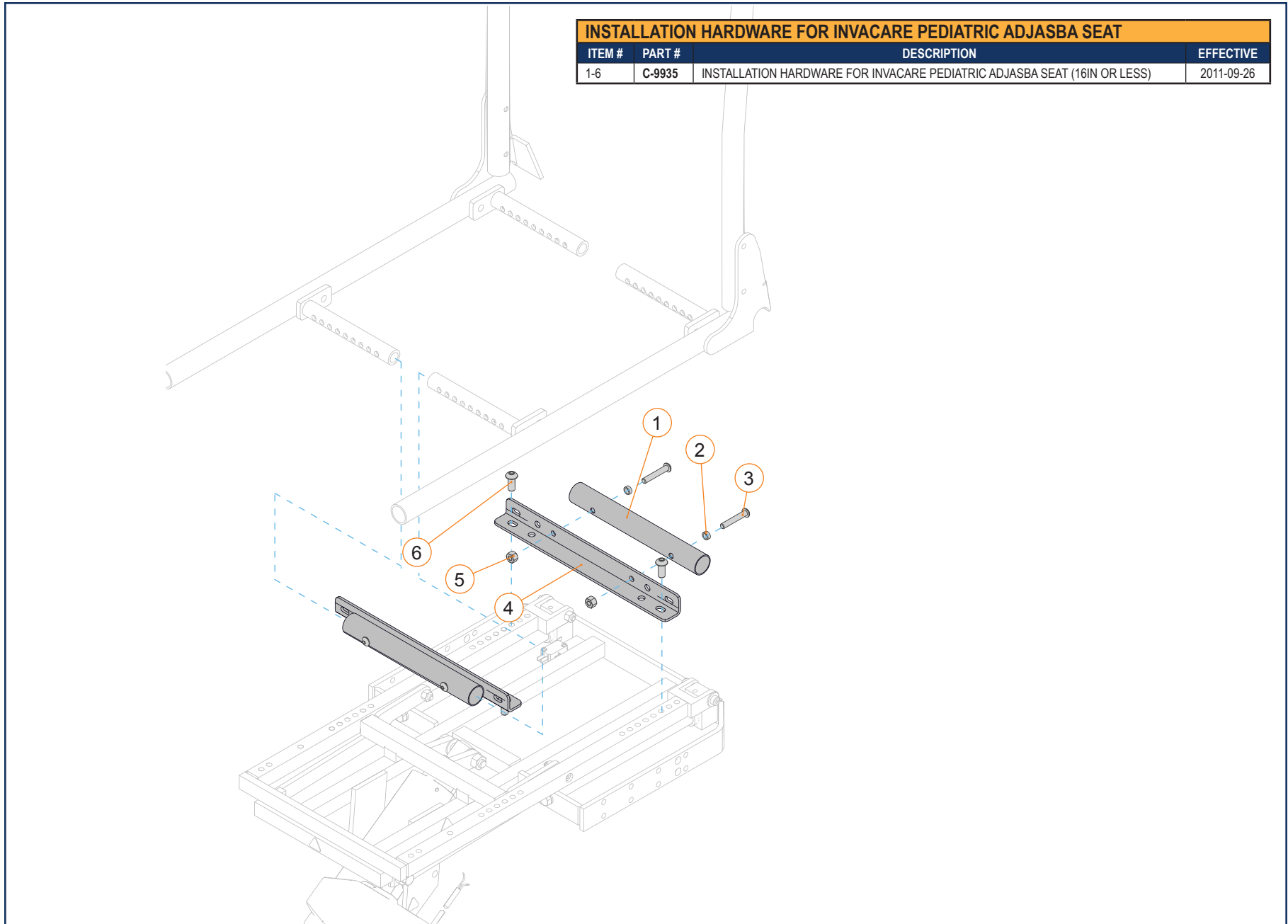
INVACARE STORM 3G ADAPTOR KIT			
ITEM #	PART #	DESCRIPTION	EFFECTIVE
1-6	C-64122	INVACARE STORM 3G ADAPTOR KIT	2011-09-13

INVACARE BASE ADAPTER KITS - SECTION 4.4.1



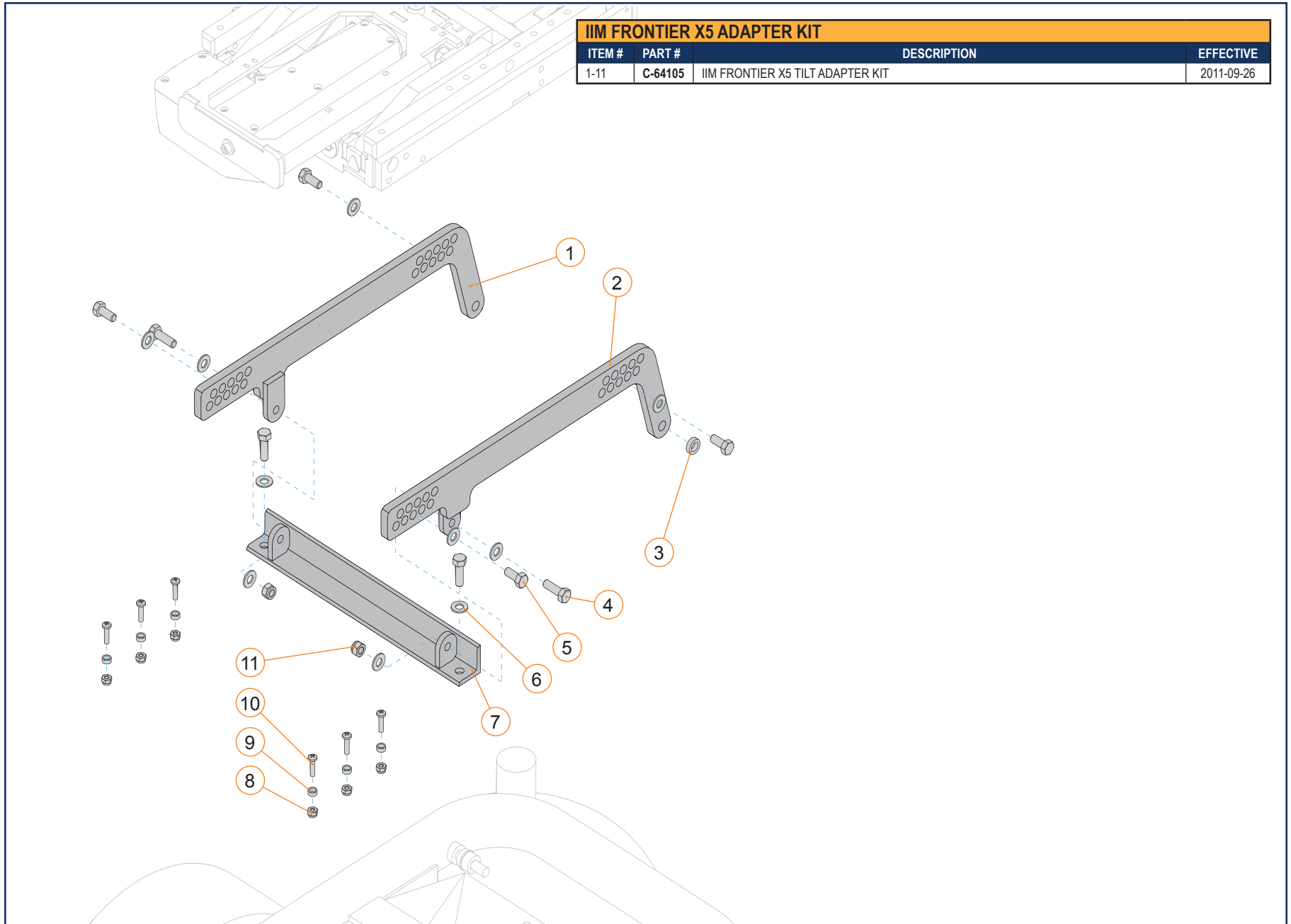
INVACARE TDX SP ADAPTOR KIT			
ITEM #	PART #	DESCRIPTION	EFFECTIVE
1-8	C-64109	INVACARE TDX SP ADAPTOR KIT	2011-08-13

INVACARE SEAT INSTALLATION - SECTION 4.4.2

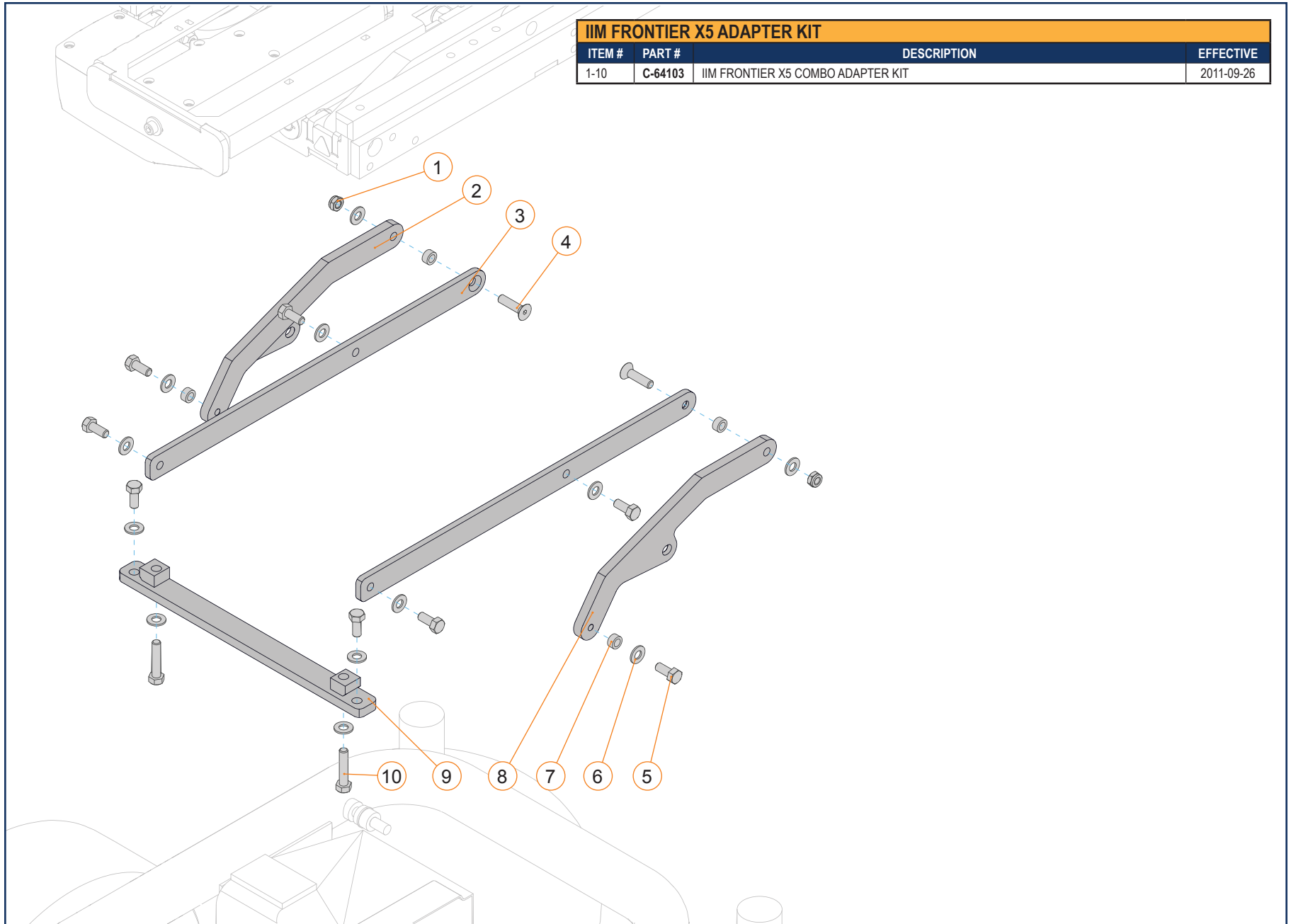


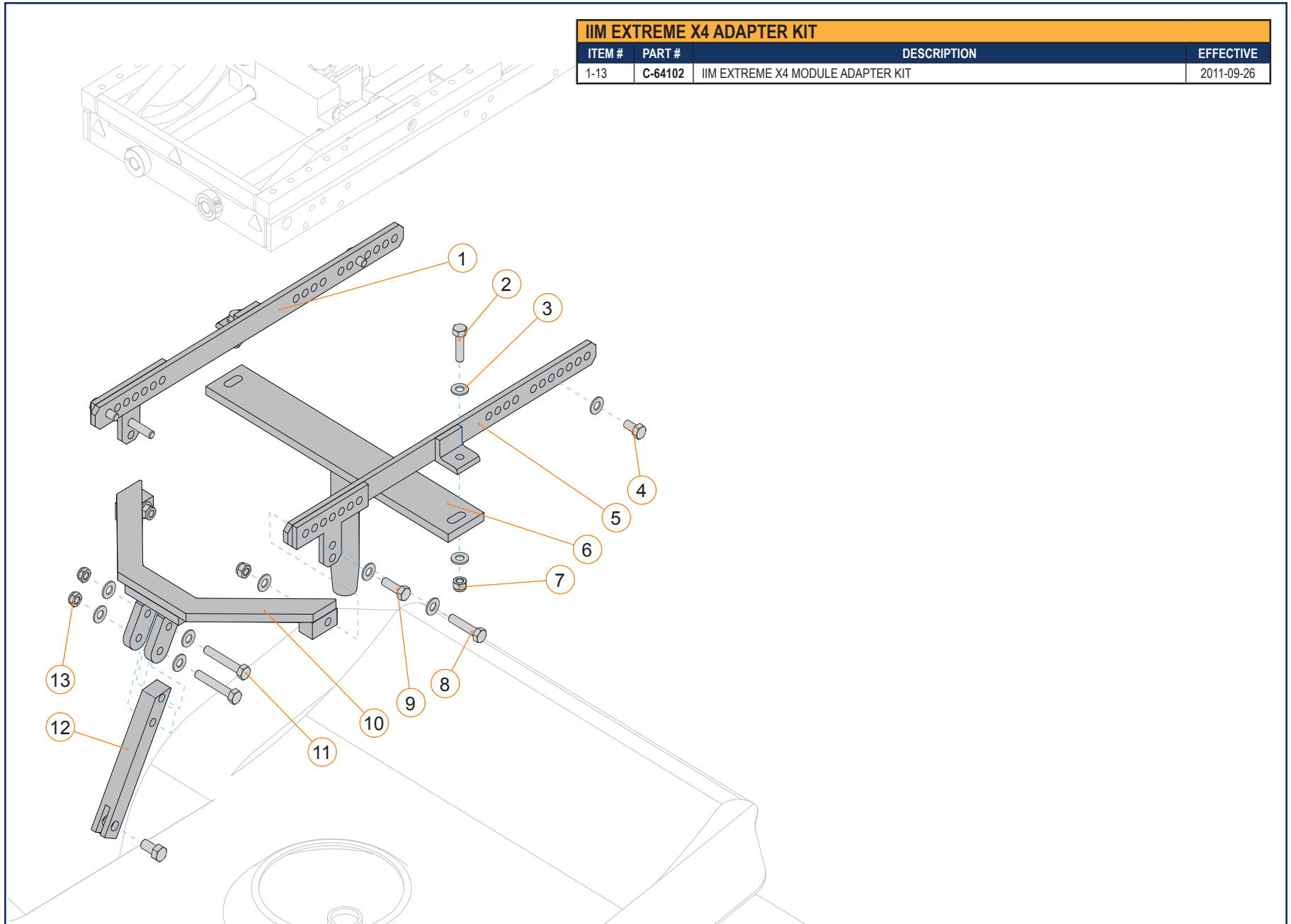
INVACARE SEAT INSTALLATION - SECTION 4.4.2

INSTALLATION HARDWARE FOR INVACARE ADJASBA SEAT			
ITEM #	PART #	DESCRIPTION	EFFECTIVE
1-8	C-9925	INSTALLATION HARDWARE FOR INVACARE ADJASBA SEAT (17IN AND UP)	2011-09-26



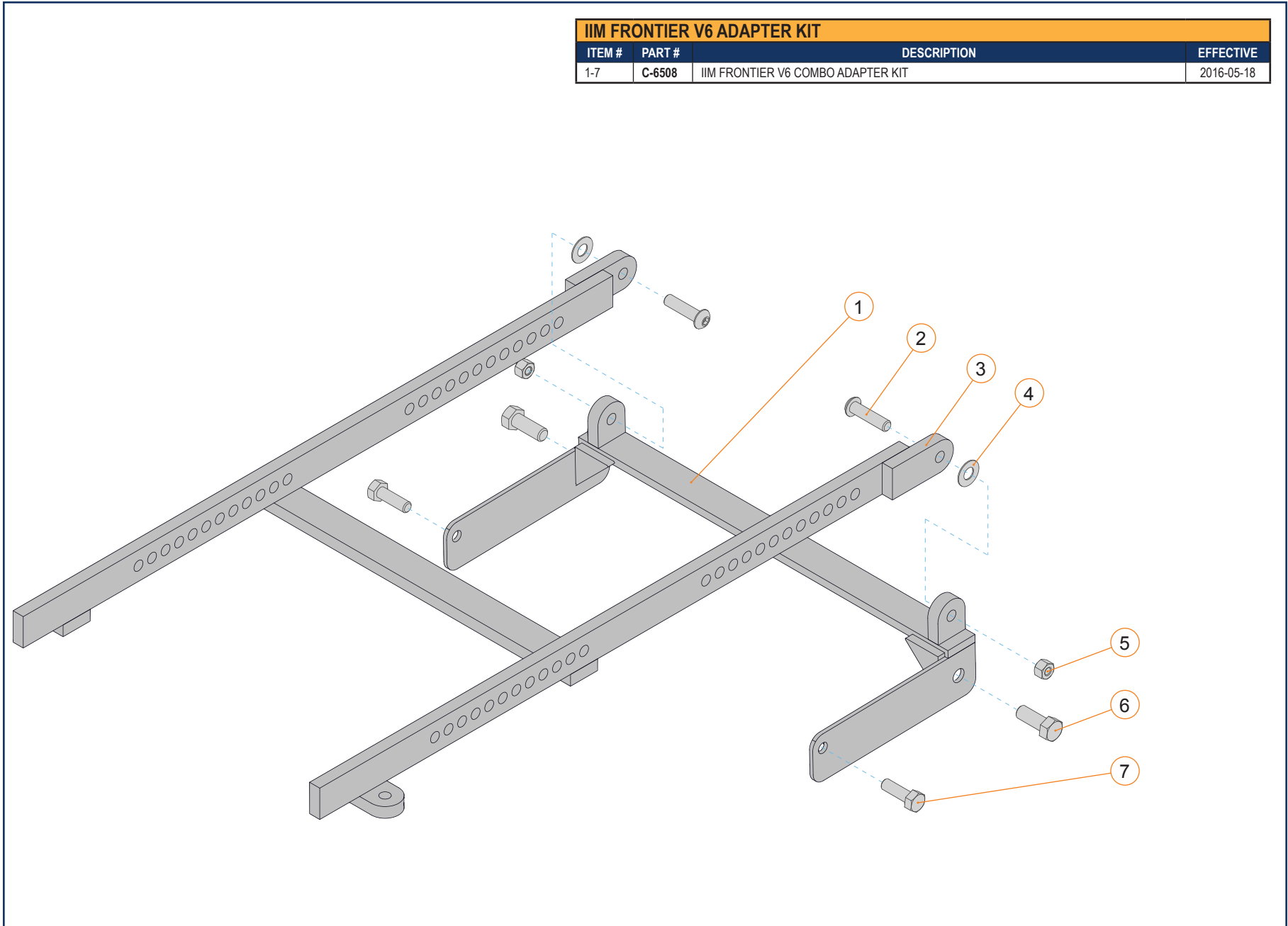
IIM FRONTIER X5 ADAPTER KIT			
ITEM #	PART #	DESCRIPTION	EFFECTIVE
1-11	C-64105	IIM FRONTIER X5 TILT ADAPTER KIT	2011-09-26





IIM EXTREME X4 ADAPTER KIT			
ITEM #	PART #	DESCRIPTION	EFFECTIVE
1-13	C-64102	IIM EXTREME X4 MODULE ADAPTER KIT	2011-09-26

IIM FRONTIER V6 ADAPTER KIT			
ITEM #	PART #	DESCRIPTION	EFFECTIVE
1-7	C-6508	IIM FRONTIER V6 COMBO ADAPTER KIT	2016-05-18



IIM EXTREME X8 ADAPTER KIT			
ITEM #	PART #	DESCRIPTION	EFFECTIVE
1-10	C-4263	IIM EXTREME X8 MODULE ADAPTER KIT	2016-05-18

