

**2.1 - BACKS**

**2.1.1 - FIXED BACK**

- BACK POST ASSEMBLY ..... 2.1.1.1
- SIGNATURE FIXED BACKREST ASSEMBLY ..... 2.1.1.2
- SIGNATURE FIXED BACKREST ASSEMBLY - ENDOMORPHE ..... 2.1.1.3
- ELECTRONICS SHROUD FOR PEDIATRIC FIXED BACK ..... 2.1.1.4
- FIXED BACKREST WITH ELECTRONICS SHROUD, OEM BACK..... 2.1.1.5
- ELECTRONICS SHROUD COVER, SIGNATURE FIXED BACKREST ..... 2.1.1.6
- FIXED BACKREST WITH ELECTRONICS SHROUD, NXT OPTIMA AND OEM BACK..... 2.1.1.7
- FIXED BACKREST WITH ELECTRONICS SHROUD, FOR OEM BACK ..... 2.1.1.8

**2.1.2 - POWER RECLINNING BACK**

- POWER RECLINNING BACKREST ..... 2.1.2.1
- SIGNATURE POWER RECLINING BACKREST ..... 2.1.2.2
- POWER RECLINING BACKREST FOR ASCENT POWER STANDING MODULE..... 2.1.2.3
- POWER RECLINING BACKREST, E-BX ..... 2.1.2.4

**2.2 - SEAT PANS**

**2.2.1 - PEDIATRIC SEAT PAN**

- PEDIATRIC SEAT PAN ..... 2.2.1.1
- PEDIATRIC SEAT PAN REINFORCEMENTS ..... 2.2.1.2
- PEDIATRIC SEAT PAN ..... 2.2.1.3

**2.2.2 - ADULT SEAT PAN**

- ADULT SEAT PAN..... 2.2.2.1
- ADULT SEAT PAN REINFORCEMENTS..... 2.2.2.2
- ADULT SEAT PAN STANDER ..... 2.2.2.3
- ADULT SEAT PAN ..... 2.2.2.4

**2.3 - ARMRESTS**

**2.3.1 - CANTILEVER ARMREST**

- CANTILEVER ARMREST ..... 2.3.1.1
- SIGNATURE CANTILEVER ARMREST ..... 2.3.1.2
- CANTILEVER ARMREST FOR STANDER ..... 2.3.1.3

**2.3.2 - DUAL POST ARMREST**

- DUAL POST ARMREST ASSEMBLY..... 2.3.2.1
- DUAL POST ARMREST ASSEMBLY ABX2 ..... 2.3.2.2

**2.3.3 - RECLINNING BACK ARMREST**

- RECLINING ARMREST ASSEMBLY ..... 2.3.3.1
- RECLINING ARMREST ASSEMBLY ..... 2.3.3.2
- SIGNATURE RECLINING ARMREST ASSEMBLY ..... 2.3.3.3
- SIGNATURE RECLINING HD ARMREST ASSEMBLY ..... 2.3.3.4

**2.3.4 - SINGLE POST ARMREST**

- SINGLE POST ARMREST ASSEMBLY ..... 2.3.4.1
- SINGLE POST ARMREST ASSEMBLY ..... 2.3.4.2

**2.4 - CENTER MOUNT FOOTBOARD**

**2.4.1 - FIXED CENTER MOUNT FOOTBOARD**

- 90° FIXED CENTER MOUNT FOOTBOARD ..... 2.4.1.1
- 90° FIXED CENTER MOUNT FOOTBOARD ..... 2.4.1.2
- 90° FIXED CENTER MOUNT FOOTBOARD ..... 2.4.1.3

**2.4.2 - POWER ELEVATING CENTER MOUNT FOOTBOARD**

- POWER ELEVATING CENTER MOUNT FOOTBOARD ..... 2.4.2.1
- VHD POWER ELEVATING CENTRE MOUNT FOOTBOARD ..... 2.4.2.2
- POWER ELEVATING AND ARTICULATING CENTER MOUNT FOOT PLATFORM ..... 2.4.2.3
- POWER ELEVATING AND ARTICULATING CENTER MOUNT FOOT PLATFORM ..... 2.4.2.4
- POWER ELEVATING AND ARTICULATING CENTER MOUNT FOOT PLATFORM ..... 2.4.2.5
- POWER ELEVATING AND ARTICULATING CENTER MOUNT FOOT PLATFORM, E-BX ..... 2.4.2.6
- POWER ELEVATING AND ARTICULATING CENTER MOUNT FOOT PLATFORM, E-BX ..... 2.4.2.7
- POWER ELEVATING AND ARTICULATING CENTER MOUNT FOOT PLATFORM, E-BX..... 2.4.2.8

**2.5 - LEG RESTS**

**2.5.1 - OEM LEG REST RECEIVERS**

- OEM LEG REST RECEIVERS..... 2.5.1.1

**2.5.2 - STANDARD (PEDIATRIC) SWING-AWAY FOOTRESTS**

- SIGNATURE STANDARD (PEDIATRIC) SWING-AWAY FOOTRESTS ..... 2.5.2.1

**2.5.3 - STANDARD SWING-AWAY FOOTREST**

- STANDARD SWING-AWAY FOOTREST ..... 2.5.3.1
- SIGNATURE STANDARD SWING-AWAY FOOTREST ..... 2.5.3.2

**2.5.4 - HEAVY DUTY SWING-AWAY FOOTREST**

- HEAVY DUTY SWING-AWAY FOOTREST..... 2.5.4.1
- SIGNATURE HEAVY DUTY SWING-AWAY FOOTREST..... 2.5.4.2

**2.5.5 - POWER ELEVATING AND ARTICULATING LEGRESTS**

- POWER ELEVATING AND ARTICULATING LEGREST ..... 2.5.5.1
- POWER ELEVATING AND ARTICULATING LEGREST ..... 2.5.5.2
- POWER ELEVATING AND ARTICULATING LEGREST - E-BX ..... 2.5.5.3
- SIGNATURE POWER ELEVATING & ARTICULATING SWING-AWAY LEGREST - E-BX ..... 2.5.5.4

**2.5.6 - MANUAL ELEVATING AND ARTICULATING LEGRESTS**

- MANUAL ELEVATING AND ARTICULATING LEGREST ..... 2.5.6.1
- SIGNATURE MANUAL ELEVATING AND ARTICULATING SWING-AWAY LEGREST..... 2.5.6.2

**2.5.7 - FRONT FOOTPLATE BUMPER**

- FRONT FOOTPLATE BUMPER ..... 2.5.7.1

**2.6 - HEADRESTS**

**2.6.1 - HEADREST**

- SINGLE AXIS HEADREST HARDWARE..... 2.6.1.1
- SIGNATURE SINGLE AXIS HEADREST HARDWARE..... 2.6.1.2
- MULTI-AXIS HEADREST HARDWARE..... 2.6.1.3
- SIGNATURE MULTI-AXIS HEADREST HARDWARE..... 2.6.1.4

**2.7 - POSITIONING**

**2.7.1 - LATERAL TRUNK SUPPORT**

- SWING AWAY LATERAL TRUNK SUPPORT ..... 2.7.1.1
- SIGNATURE SWING AWAY LATERAL TRUNK SUPPORT ..... 2.7.1.2

**2.7.2 - HIP & THIGH SUPPORT**

- THIGH GUARD HARDWARE AND PAD ..... 2.7.2.1
- THIGH GUARD HARDWARE AND PAD ..... 2.7.2.2
- THIGH GUARD HARDWARE AND PAD ..... 2.7.2.3

**2.7.3 - STRAPS AND BELTS**

- POSITIONING STRAP ..... 2.7.3.1
- PADDED CHEST STRAP..... 2.7.3.2
- PADDED HIP BELT ..... 2.7.3.3

**2.7.4 - KNEE SUPPORT**

- KNEE SUPPORT FOR ASCENT STANDING MODULE ..... 2.7.4.1
- KNEE SUPPORT FOR ASCENT STANDING MODULE ..... 2.7.4.2

**2.7.5 - STUMP SUPPORT**

- STUMP SUPPORT ..... 2.7.5.1
- STUMP SUPPORT ..... 2.7.5.2

**LEGEND**

**CURRENT**

- These parts and assemblies are currently being produced and delivered.\*

**SERVICEABLE PARTS**

- These parts and assemblies are not currently being produced or delivered on new chairs, but they are available as replacement service parts.\*

**DISCONTINUED**

- These parts and assemblies are no longer being produced or delivered on new chairs, and they are not available as replacement service parts.\*

\* Please contact Technical Support for information on the replacement parts and assemblies.

## 2.8 - BACKS AND CUSHIONS

### 2.8.1 - BACK CUSHION

- STANDARD BACK CUSHION ..... 2.8.1.1
- STANDARD BACK CUSHION ..... 2.8.1.2
- CONTOUR BACK CUSHION SIGNATURE ..... 2.8.1.3
- CONTOUR CUSHION FIXED BACK SIGNATURE ..... 2.8.1.4
- NXT OPTIMA FHT AC BACK CUSHION  
13 IN TO 21 IN WIDE ..... 2.8.1.5
- NXT OPTIMA FHT AC BACK CUSHION 13 IN WIDE  
TO 21 IN WIDE SIGNATURE ..... 2.8.1.6
- NXT OPTIMA FHT AC BACK CUSHION  
22 IN TO 28 IN WIDE ..... 2.8.1.7
- NXT OPTIMA FHT AC BACK CUSHION 22 IN WIDE  
TO 28 IN WIDE SIGNATURE ..... 2.8.1.8
- NXT OPTIMA DEEP BACK CUSHION  
13 IN WIDE TO 21 IN WIDE ..... 2.8.1.9
- NXT OPTIMA DEEP BACK CUSHION 13 IN WIDE  
TO 21 IN WIDE SIGNATURE ..... 2.8.1.10
- NXT OPTIMA DEEP BACK CUSHION  
22 IN WIDE TO 28 IN WIDE ..... 2.8.1.11
- NXT OPTIMA FHT AC BACK CUSHION 22 IN WIDE  
TO 28 IN WIDE SIGNATURE ..... 2.8.1.12
- ADJUSTABLE TENSION BACKREST ..... 2.8.1.13
- ADJUSTABLE TENSION BACKREST SIGNATURE ..... 2.8.1.14
- MATRX ELITE E2S BACK ..... 2.8.1.15
- MATRX ELITE E2S BACK SIGNATURE ..... 2.8.1.16
- MATRX ELITE E2D DEEP BACK ..... 2.8.1.17
- MATRX ELITE E2D DEEP BACK SIGNATURE ..... 2.8.1.18
- MATRX PB ELITE TR BACK ..... 2.8.1.19
- MATRX PB ELITE TR BACK SIGNATURE ..... 2.8.1.20
- MATRX HEAVY DUTY ELITE BACK ..... 2.8.1.21
- MATRX HEAVY DUTY ELITE BACK SIGNATURE ..... 2.8.1.22
- MATRX HEAVY DUTY ELITE DEEP BACK ..... 2.8.1.23
- MATRX HEAVY DUTY ELITE DEEP BACK  
SIGNATURE ..... 2.8.1.24

### 2.8.2 - SEAT CUSHION

- NXT BIO FIT SEAT CUSHION ..... 2.8.2.1
- CG AIR SEAT CUSHION ..... 2.8.2.2
- PERFORMA CG AIR SEAT CUSHION ..... 2.8.2.3
- PERFORMA BM SEAT CUSHION ..... 2.8.2.4

- PERFORMA IAG SEAT CUSHION ..... 2.8.2.5
- PERFORMA ICG SEAT CUSHION ..... 2.8.2.6
- CONTOUR SEAT CUSHION ..... 2.8.2.7
- CONTOUR SEAT CUSHION ..... 2.8.2.8
- MATRX PSP CUSHION ..... 2.8.2.9

## 2.9 - ACCESSORIES

### 2.9.1 - O<sub>2</sub> HOLDER

- O<sub>2</sub> HOLDER FOR FIXED BACK ANGLES ..... 2.9.1.1

### 2.9.2 - RAM MOUNT ACCESSORIES

- RAM MOUNT UNIVERSAL X-GRIP  
FOR CELL & SMALL TABLET ..... 2.9.2.1
- RAM MOUNT UNIVERSAL X-GRIP  
FOR CELL & SMALL TABLET ..... 2.9.2.2
- RAM MOUNT UNIVERSAL X-GRIP  
FOR LARGE TABLET ..... 2.9.2.3
- RAM MOUNT UNIVERSAL X-GRIP  
FOR LARGE TABLET ..... 2.9.2.4
- RAM MOUNT CUP HOLDER ..... 2.9.2.5
- RAM MOUNT CUP HOLDER ..... 2.9.2.6
- BACKPACK & SIDE POUCH ..... 2.9.2.7
- REFLECTOR STICKERS ..... 2.9.2.8
- VISIBILITY FLAG WITH POLE ..... 2.9.2.6

LEGEND

**CURRENT**

- These parts and assemblies are currently being produced and delivered.\*

**SERVICEABLE PARTS**

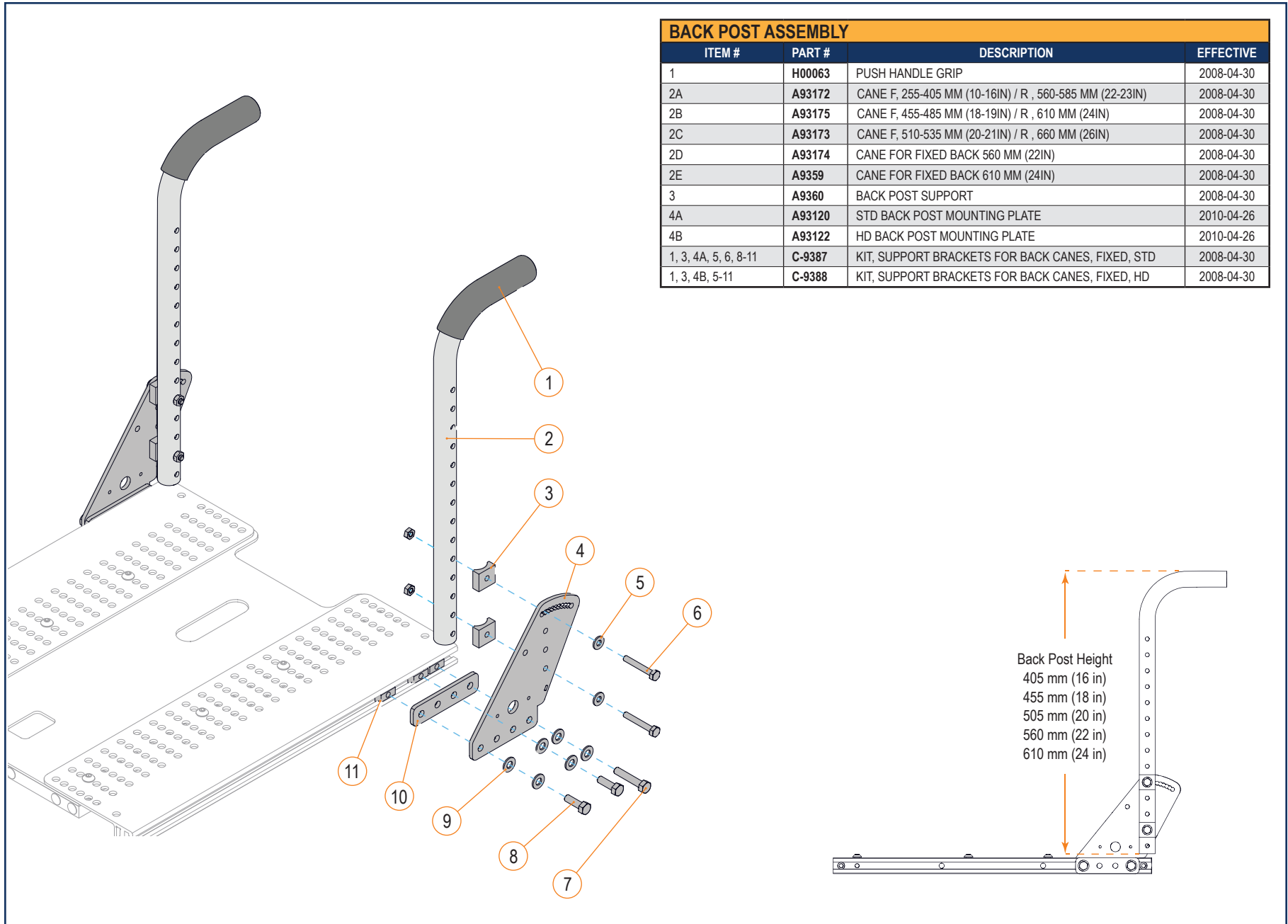
- These parts and assemblies are not currently being produced or delivered on new chairs, but they are available as replacement service parts.\*

**DISCONTINUED**

- These parts and assemblies are no longer being produced or delivered on new chairs, and they are not available as replacement service parts.\*

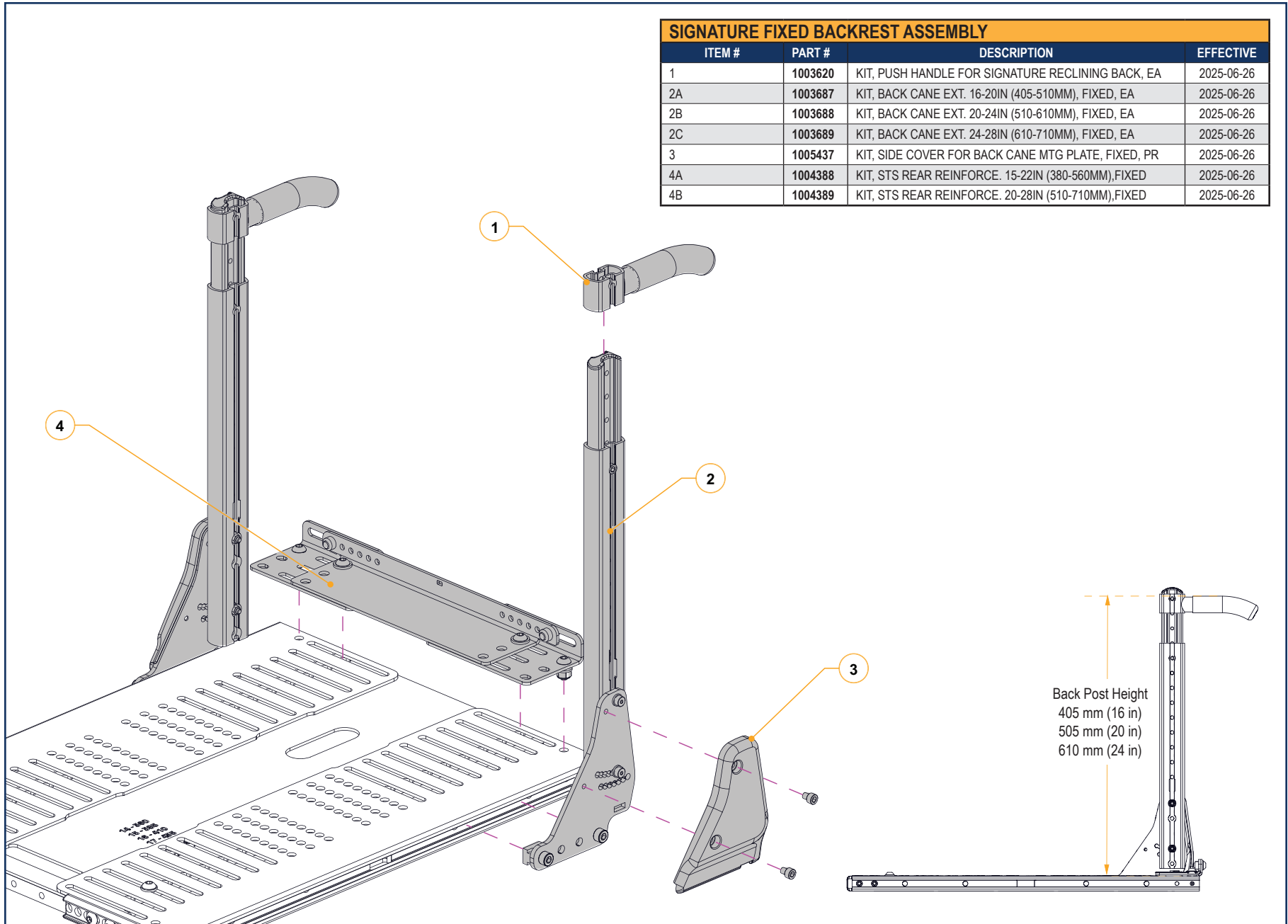
\* Please contact Technical Support for information on the replacement parts and assemblies.

FIXED BACK - SECTION 2.1.1



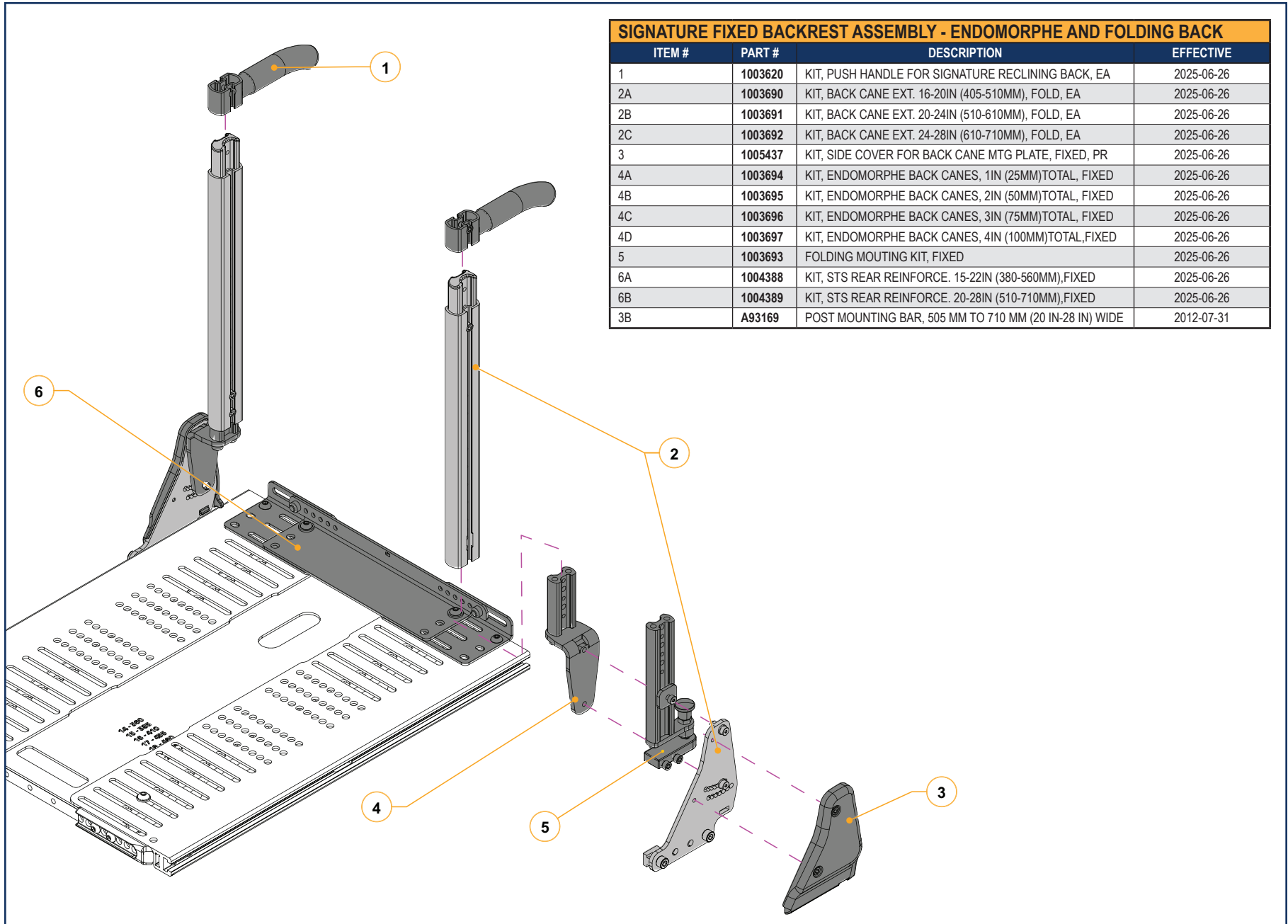
BACK POST ASSEMBLY			
ITEM #	PART #	DESCRIPTION	EFFECTIVE
1	H00063	PUSH HANDLE GRIP	2008-04-30
2A	A93172	CANE F, 255-405 MM (10-16IN) / R , 560-585 MM (22-23IN)	2008-04-30
2B	A93175	CANE F, 455-485 MM (18-19IN) / R , 610 MM (24IN)	2008-04-30
2C	A93173	CANE F, 510-535 MM (20-21IN) / R , 660 MM (26IN)	2008-04-30
2D	A93174	CANE FOR FIXED BACK 560 MM (22IN)	2008-04-30
2E	A9359	CANE FOR FIXED BACK 610 MM (24IN)	2008-04-30
3	A9360	BACK POST SUPPORT	2008-04-30
4A	A93120	STD BACK POST MOUNTING PLATE	2010-04-26
4B	A93122	HD BACK POST MOUNTING PLATE	2010-04-26
1, 3, 4A, 5, 6, 8-11	C-9387	KIT, SUPPORT BRACKETS FOR BACK CANES, FIXED, STD	2008-04-30
1, 3, 4B, 5-11	C-9388	KIT, SUPPORT BRACKETS FOR BACK CANES, FIXED, HD	2008-04-30

**FIXED BACK - SECTION 2.1.1**



SIGNATURE FIXED BACKREST ASSEMBLY			
ITEM #	PART #	DESCRIPTION	EFFECTIVE
1	1003620	KIT, PUSH HANDLE FOR SIGNATURE RECLINING BACK, EA	2025-06-26
2A	1003687	KIT, BACK CANE EXT. 16-20IN (405-510MM), FIXED, EA	2025-06-26
2B	1003688	KIT, BACK CANE EXT. 20-24IN (510-610MM), FIXED, EA	2025-06-26
2C	1003689	KIT, BACK CANE EXT. 24-28IN (610-710MM), FIXED, EA	2025-06-26
3	1005437	KIT, SIDE COVER FOR BACK CANE MTG PLATE, FIXED, PR	2025-06-26
4A	1004388	KIT, STS REAR REINFORCE. 15-22IN (380-560MM),FIXED	2025-06-26
4B	1004389	KIT, STS REAR REINFORCE. 20-28IN (510-710MM),FIXED	2025-06-26

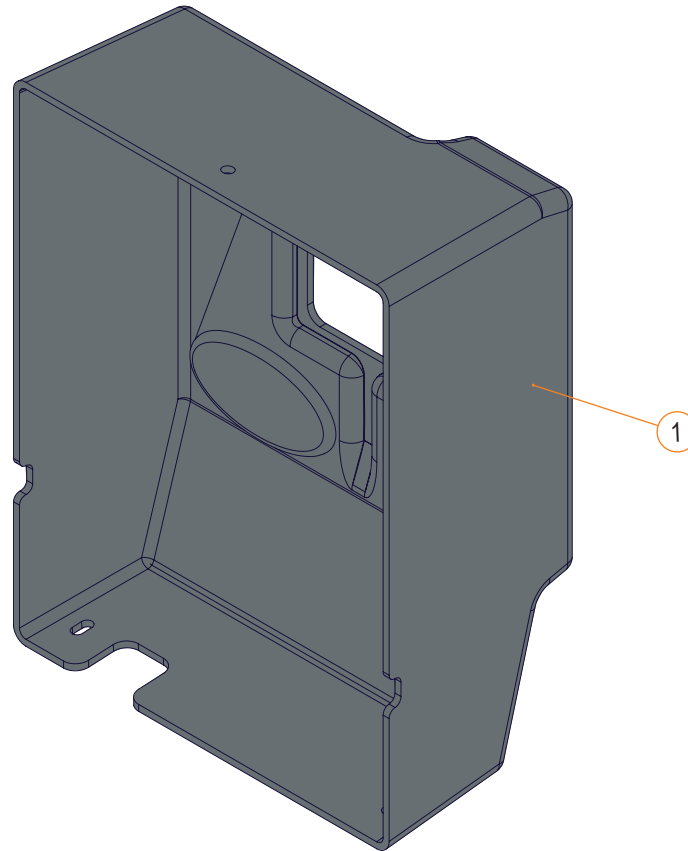
FIXED BACK - SECTION 2.1.1



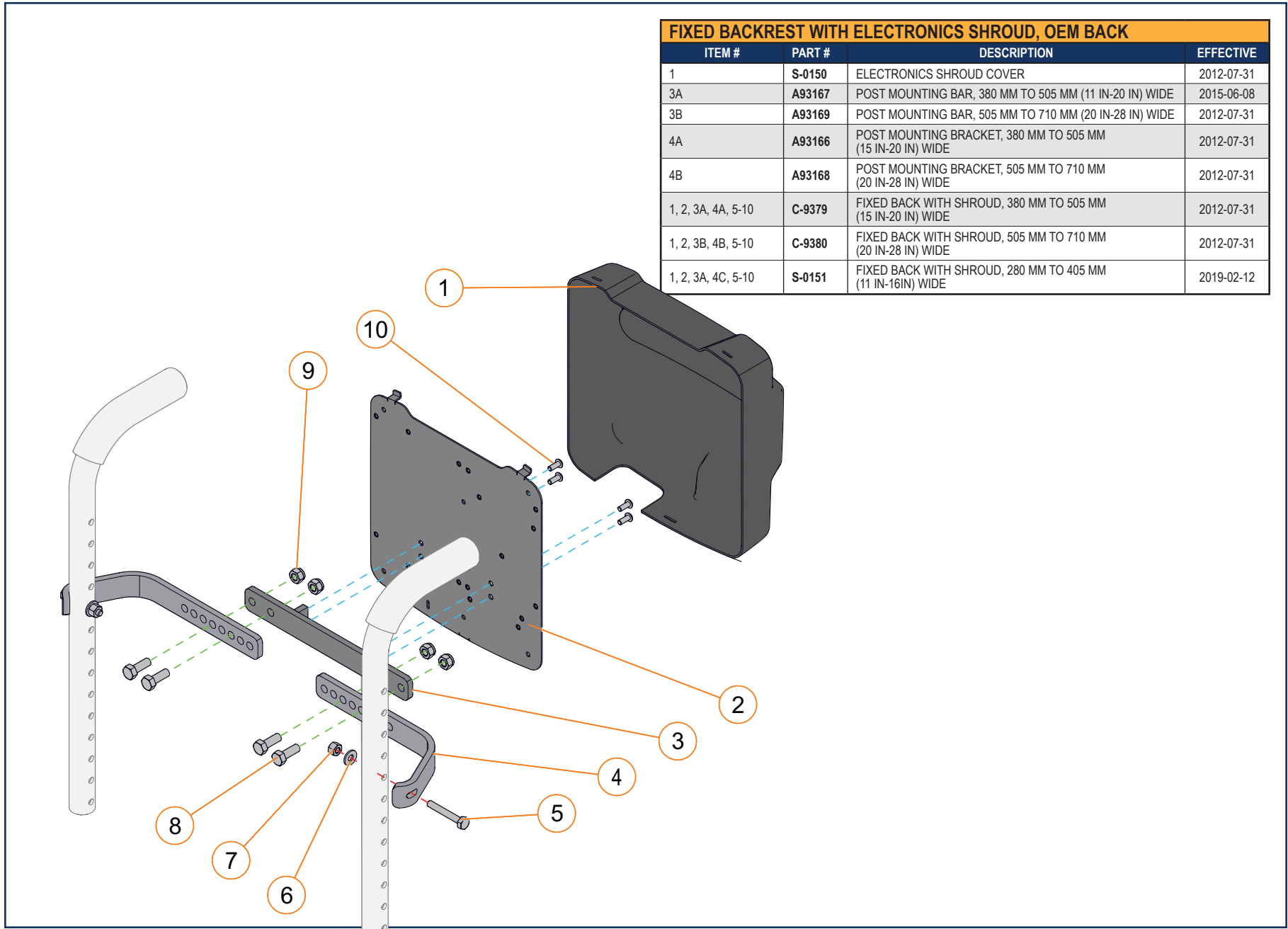
SIGNATURE FIXED BACKREST ASSEMBLY - ENDOMORPHE AND FOLDING BACK			
ITEM #	PART #	DESCRIPTION	EFFECTIVE
1	1003620	KIT, PUSH HANDLE FOR SIGNATURE RECLINING BACK, EA	2025-06-26
2A	1003690	KIT, BACK CANE EXT. 16-20IN (405-510MM), FOLD, EA	2025-06-26
2B	1003691	KIT, BACK CANE EXT. 20-24IN (510-610MM), FOLD, EA	2025-06-26
2C	1003692	KIT, BACK CANE EXT. 24-28IN (610-710MM), FOLD, EA	2025-06-26
3	1005437	KIT, SIDE COVER FOR BACK CANE MTG PLATE, FIXED, PR	2025-06-26
4A	1003694	KIT, ENDOMORPHE BACK CANES, 1IN (25MM)TOTAL, FIXED	2025-06-26
4B	1003695	KIT, ENDOMORPHE BACK CANES, 2IN (50MM)TOTAL, FIXED	2025-06-26
4C	1003696	KIT, ENDOMORPHE BACK CANES, 3IN (75MM)TOTAL, FIXED	2025-06-26
4D	1003697	KIT, ENDOMORPHE BACK CANES, 4IN (100MM)TOTAL, FIXED	2025-06-26
5	1003693	FOLDING MOUTING KIT, FIXED	2025-06-26
6A	1004388	KIT, STS REAR REINFORCE. 15-22IN (380-560MM),FIXED	2025-06-26
6B	1004389	KIT, STS REAR REINFORCE. 20-28IN (510-710MM),FIXED	2025-06-26
3B	A93169	POST MOUNTING BAR, 505 MM TO 710 MM (20 IN-28 IN) WIDE	2012-07-31

**FIXED BACK - SECTION 2.1.1**

ELECTRONICS SHROUD FOR PEDIACTRIC FIXED BACK			
ITEM #	PART #	DESCRIPTION	PRIOR TO
1	A93114	ELECTRONICS SHROUD COVER	2019-02-12

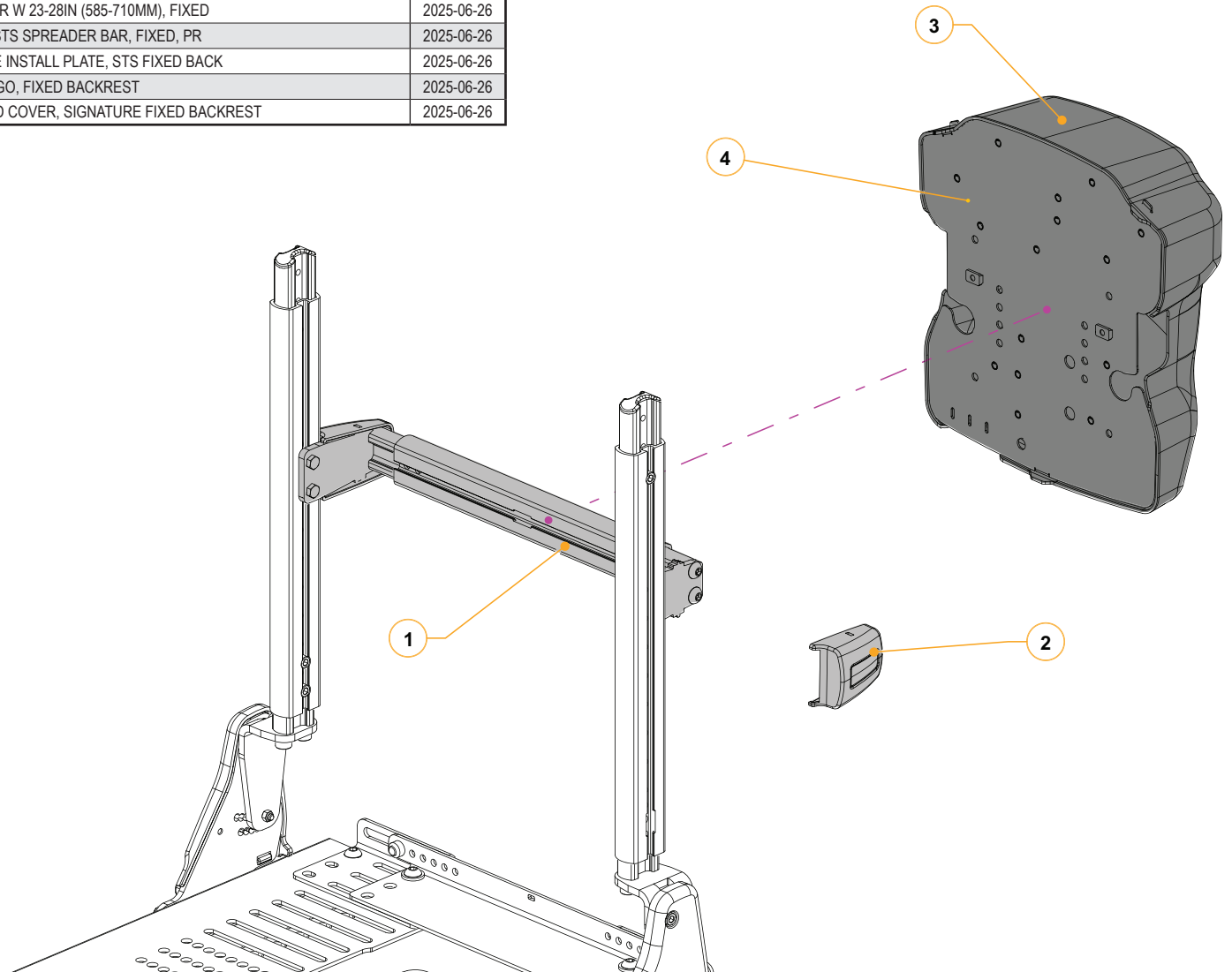


**FIXED BACK - SECTION 2.1.1**



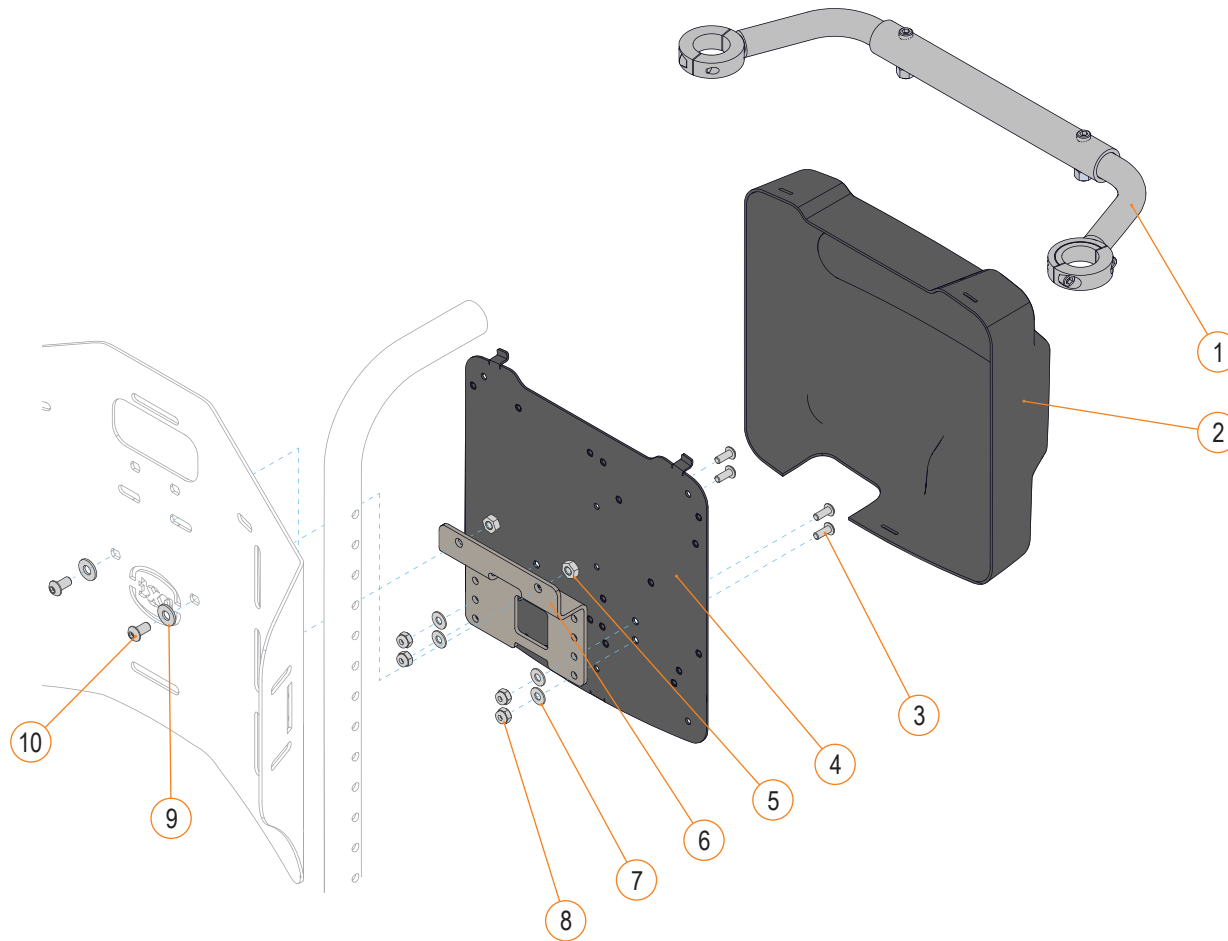
FIXED BACKREST WITH ELECTRONICS SHROUD, OEM BACK			
ITEM #	PART #	DESCRIPTION	EFFECTIVE
1	S-0150	ELECTRONICS SHROUD COVER	2012-07-31
3A	A93167	POST MOUNTING BAR, 380 MM TO 505 MM (11 IN-20 IN) WIDE	2015-06-08
3B	A93169	POST MOUNTING BAR, 505 MM TO 710 MM (20 IN-28 IN) WIDE	2012-07-31
4A	A93166	POST MOUNTING BRACKET, 380 MM TO 505 MM (15 IN-20 IN) WIDE	2012-07-31
4B	A93168	POST MOUNTING BRACKET, 505 MM TO 710 MM (20 IN-28 IN) WIDE	2012-07-31
1, 2, 3A, 4A, 5-10	C-9379	FIXED BACK WITH SHROUD, 380 MM TO 505 MM (15 IN-20 IN) WIDE	2012-07-31
1, 2, 3B, 4B, 5-10	C-9380	FIXED BACK WITH SHROUD, 505 MM TO 710 MM (20 IN-28 IN) WIDE	2012-07-31
1, 2, 3A, 4C, 5-10	S-0151	FIXED BACK WITH SHROUD, 280 MM TO 405 MM (11 IN-16IN) WIDE	2019-02-12

ELECTRONICS SHROUD COVER, SIGNATURE FIXED BACKREST			
ITEM #	PART #	DESCRIPTION	EFFECTIVE
1A	1004380	KIT, STS SPREADER BAR W 11-16IN (280-405MM), FIXED	2025-06-26
1B	1003698	KIT, STS SPREADER BAR W 14-19IN (355-485MM), FIXED	2025-06-26
1C	1003699	KIT, STS SPREADER BAR W 17-22IN (430-560MM), FIXED	2025-06-26
1D	1004381	KIT, STS SPREADER BAR W 20-25IN (510-635MM), FIXED	2025-06-26
1E	1004382	KIT, STS SPREADER BAR W 23-28IN (585-710MM), FIXED	2025-06-26
2	1005438	KIT, SIDE COVER FOR STS SPREADER BAR, FIXED, PR	2025-06-26
3	1003581	KIT, ELECTRO. MODULE INSTALL PLATE, STS FIXED BACK	2025-06-26
4	1003581	BACK COVER WITH LOGO, FIXED BACKREST	2025-06-26
3-4	1005507	ELECTRONICS SHROUD COVER, SIGNATURE FIXED BACKREST	2025-06-26 </td



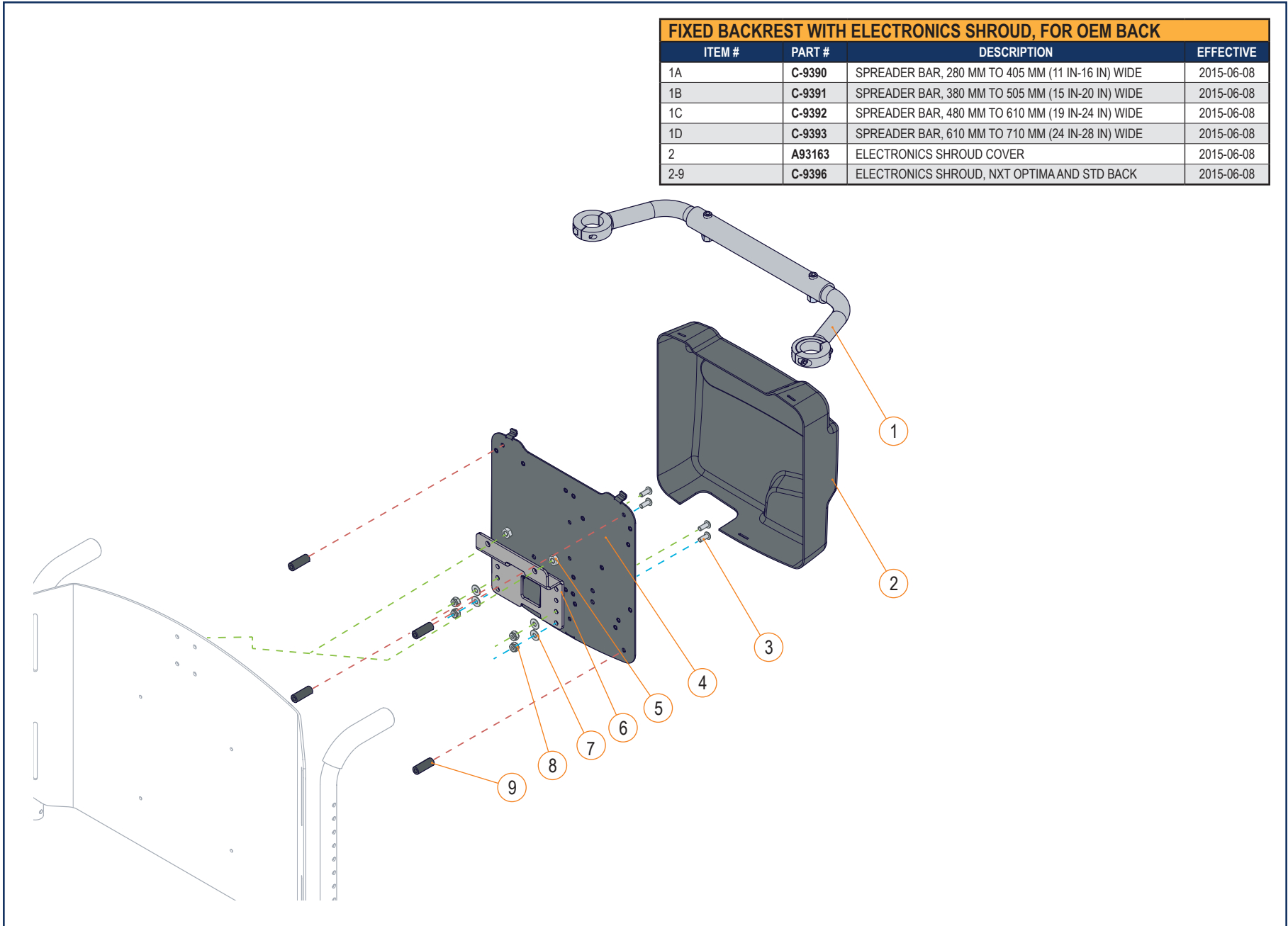
**FIXED BACK - SECTION 2.1.1**

FIXED BACKREST WITH ELECTRONICS SHROUD, NXT OPTIMA AND OEM BACK			
ITEM #	PART #	DESCRIPTION	EFFECTIVE
1A	C-9390	SPREADER BAR, 280 MM TO 405 MM (11 IN-16 IN) WIDE	2015-06-08
1B	C-9391	SPREADER BAR, 380 MM TO 505 MM (15 IN-20 IN) WIDE	2015-06-08
1C	C-9392	SPREADER BAR, 480 MM TO 610 MM (19 IN-24 IN) WIDE	2015-06-08
1D	C-9393	SPREADER BAR, 610 MM TO 710 MM (24 IN-28 IN) WIDE	2015-06-08
2	A93163	ELECTRONICS SHROUD COVER	2015-06-08
2-10	C-9396	ELECTRONICS SHROUD, NXT OPTIMA	2015-06-08

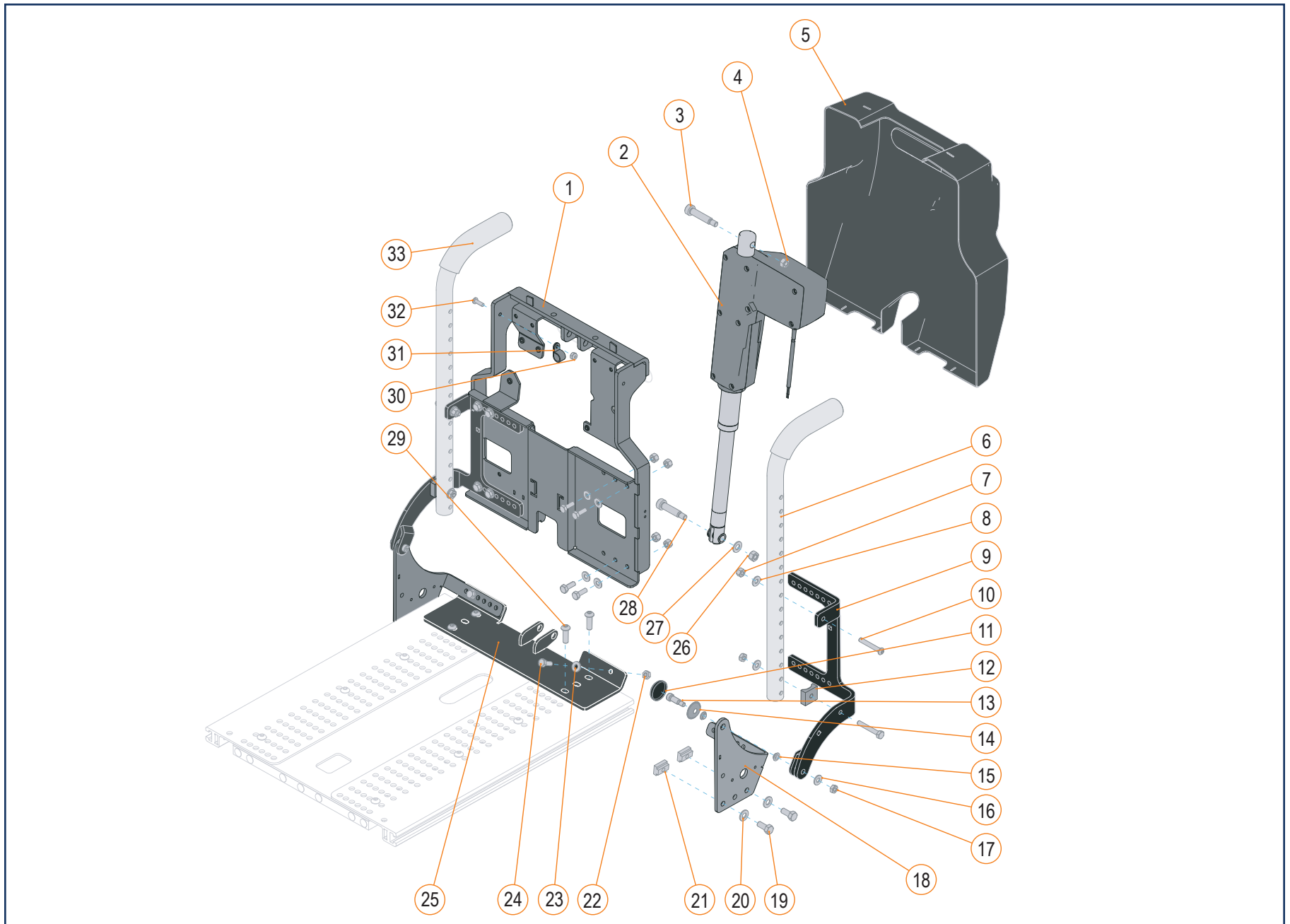


FIXED BACK - SECTION 2.1.1

FIXED BACKREST WITH ELECTRONICS SHROUD, FOR OEM BACK			
ITEM #	PART #	DESCRIPTION	EFFECTIVE
1A	C-9390	SPREADER BAR, 280 MM TO 405 MM (11 IN-16 IN) WIDE	2015-06-08
1B	C-9391	SPREADER BAR, 380 MM TO 505 MM (15 IN-20 IN) WIDE	2015-06-08
1C	C-9392	SPREADER BAR, 480 MM TO 610 MM (19 IN-24 IN) WIDE	2015-06-08
1D	C-9393	SPREADER BAR, 610 MM TO 710 MM (24 IN-28 IN) WIDE	2015-06-08
2	A93163	ELECTRONICS SHROUD COVER	2015-06-08
2-9	C-9396	ELECTRONICS SHROUD, NXT OPTIMA AND STD BACK	2015-06-08



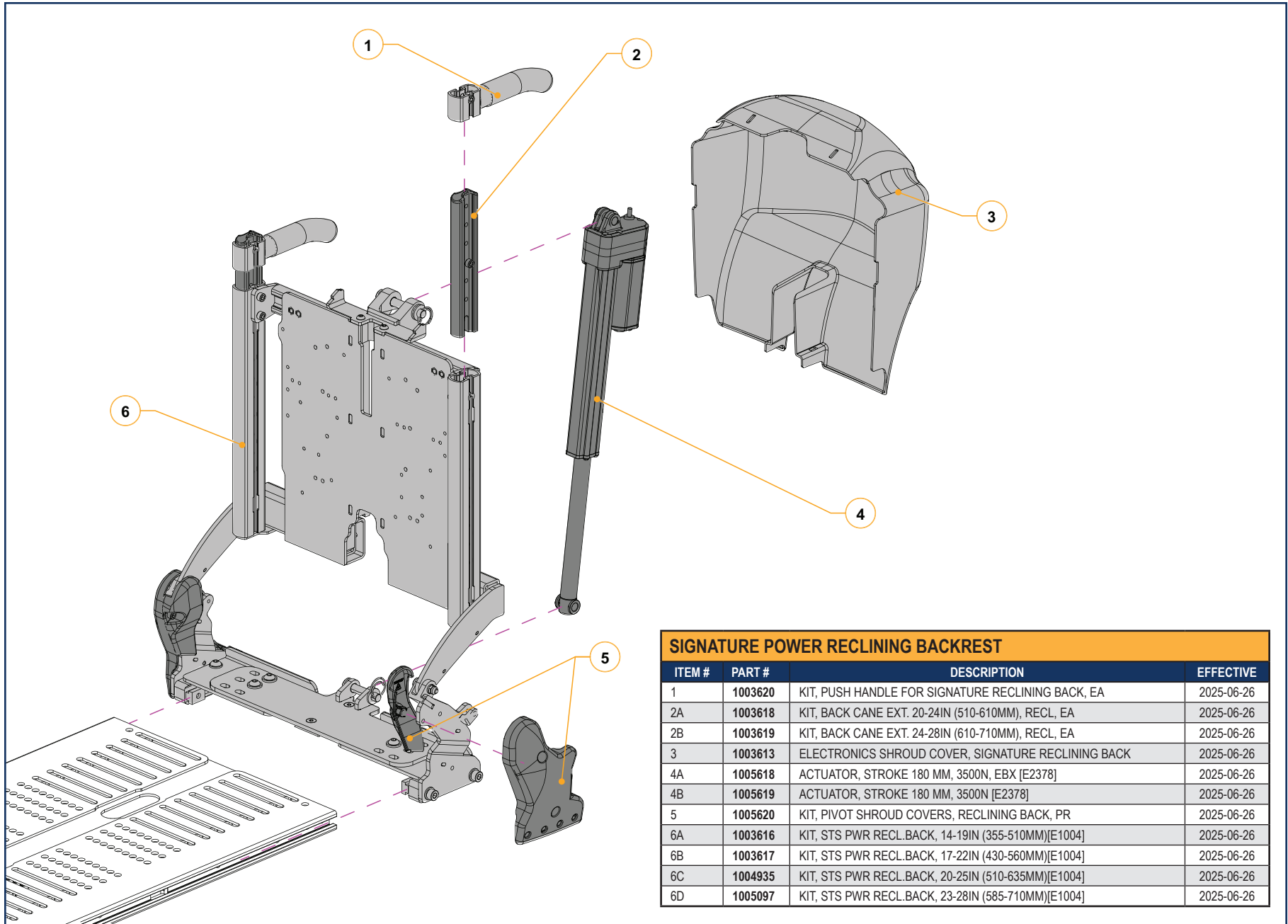
POWER RECLINNING BACK - SECTION 2.1.2



**POWER RECLINING BACK - SECTION 2.1.2**

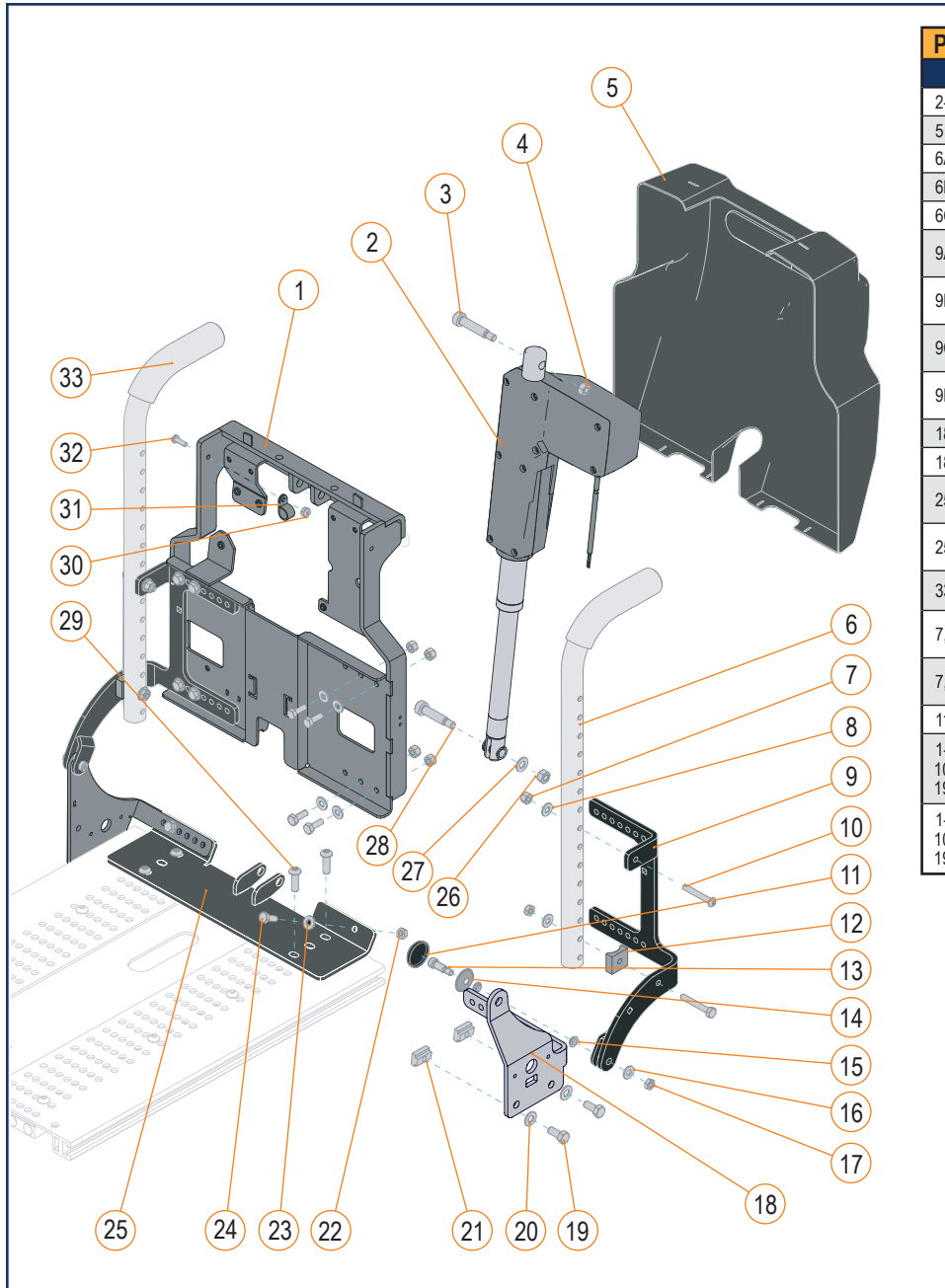
POWER RECLINING BACKREST				
ITEM #	PART #	DESCRIPTION	EFFECTIVE	
2	R00041	ACTUATOR, STROKE, 168 MM 4000N	2020-02-03	
3	E00456	SHOULDER BOLT, M10 X 40 MM	2020-02-03	
4	E00211	M8 NYLON INSERT LOCK NUT	2020-02-03	
5	A93158	ELECTRONICS SHROUD COVER	2020-02-03	
6A	A93172	CANE F, 255-405 MM (10-16IN) / R , 560-585 MM (22-23IN)	2020-02-03	
6B	A93175	CANE F, 455-485 MM (18-19IN) / R , 610 MM (24IN)	2020-02-03	
6C	A93173	CANE F, 510-535 MM (20-21IN) / R , 660 MM (26IN)	2020-02-03	
9A	A93156	BACK POST SUPPORT PIVOT, LEFT HAND, 380 MM TO 505 MM (15 IN-20 IN) W	2020-02-03	
9B	A93155	BACK POST SUPPORT PIVOT, RIGHT HAND, 380 MM TO 505 MM (15 IN-20 IN) W	2020-02-03	
9C	A93161	BACK POST SUPPORT PIVOT, LEFT HAND, 480 MM TO 610 MM (19 IN-24 IN) W	2020-02-03	
9D	A93160	BACK POST SUPPORT PIVOT, RIGHT HAND, 480 MM TO 610 MM (19 IN-24 IN) W	2020-02-03	
9E	39160-A02	BACK POST SUPPORT PIVOT, LH, 610-710MM (24"-28") W	2021-02-04	
9F	39160-A03	BACK POST SUPPORT PIVOT, RH, 610-710MM (24"-28") W	2021-02-04	
9G	39160-A09	BACK POST SUPPORT PIVOT, LH, 480-610MM (19"-24") W	2021-12-13	
9H	39160-A08	BACK POST SUPPORT PIVOT, RH, 480-610MM (19"-24") W	2021-12-13	
9I	43484-A01	BACK POST SUPPORT RECL, 19-24IN W, LH, CANTILEVER	2022-03-31	
9J	43484-A02	BACK POST SUPPORT RECL, 19-24IN W, RH, CANTILEVER	2022-03-31	
9K	43484-A03	BACK POST SUPPORT RECL, 15-20IN W, RH, CANTI, 18+	2022-03-31	
9L	43484-A04	BACK POST SUPPORT RECL, 15-20IN W, LH, CANTI, 18+	2022-03-31	
9M	43484-A05	BACK POST SUPPORT RECL, 15-20IN W, RH, CANTI, 17-	2022-03-31	
9N	43484-A06	BACK POST SUPPORT RECL, 15-20IN W, LH, CANTI, 17-	2022-03-31	
9O	43484-A08	BACK POST SUPPORT RECL, 24-28IN W, RH, CANTILEVER	2022-03-31	
9P	43484-A09	BACK POST SUPPORT RECL, 24-28IN W, LH, CANTILEVER	2022-03-31	
18A	A93154	SIDE MOUNTING BRACKET, LEFT HAND	2015-01-15	
18B	A93153	SIDE MOUNTING BRACKET, RIGHT HAND	2015-01-15	
18C	39160-A04	SIDE MOUNTING BRACKET, RH, 610-710 MM (24-28") VHD	2021-02-04	
18D	39160-A05	SIDE MOUNTING BRACKET, LH, 610-710 MM (24-28") VHD	2021-02-04	
18E	39160-A07	SIDE MOUNTING BRACKET, LH, 480-610 MM (19-24") VHD	2021-12-13	
18F	39160-A06	SIDE MOUNTING BRACKET, RH, 480-610 MM (19-24") VHD	2021-12-13	
25A	A93152	ACTUATOR LOWER SUPPORT, 380 MM TO 505 MM (15 IN-20 IN) WIDE	2015-01-15	
25B	A93159	ACTUATOR LOWER SUPPORT, 480 MM TO 610 MM (19 IN-24 IN) WIDE	2015-01-15	
25C	39160-A01	ACTUATOR LOWER SUPPORT, 610-710 MM (24"-28") WIDE	2021-02-04	
25D	39160-A10	ACTUATOR LOWER SUPPORT, 480-610 MM (19"-24") WIDE	2021-12-13	
26	E00211	M8 NYLON INSERT LOCK NUT	2020-02-03	
27	E00041	5/16 IN FLAT WASHER	2020-02-03	
28	E00440	SHOULDER BOLT M10 X 35 MM	2020-02-03	
33	H00063	PUSH HANDLE GRIP	2020-02-03	
7, 8, 9A, 9B, 10-17	S-0038	BACK POST SUPPORT PIVOT KIT, 380 MM TO 505 MM (15 IN-20 IN) WIDE	2020-02-03	
7, 8, 9C, 9D, 10-17	S-0037	BACK POST SUPPORT PIVOT KIT, 480 MM TO 610 MM (19 IN-24 IN) WIDE	2020-02-03	
11, 13-17	S-0096	RECLINE PIVOT HARDWARE KIT	2020-02-03	
1-5, 7, 8, 9A, 9B 10-17, 18A, 18B, 19-24, 25A, 26-33	1001421	POWER RECLINING BACK, 380 MM TO 505 MM (15 IN-20 IN) WIDE	2020-02-03	
1-5, 7, 8, 9C, 9D 10-17, 18A, 18B 19-24, 25B, 26-33	1001422	POWER RECLINING BACK, 480 MM TO 610 MM (19 IN-24 IN) WIDE	2020-02-03	
1-5, 7, 8, 9E, 9F 10-17, 18C, 18D 19-24, 25C, 26-33	S-39160-01	VHD POWER RECLINE, 610-710 MM (24-28IN) WIDE	2021-02-19	
1-5, 7, 8, 9E, 9F 10-17, 18E, 18F 19-24, 25D, 26-33	S-39160-03	VHD POWER RECLINING BACK, 19-24IN WIDE	2021-12-22	
1-5, 7, 8, 9K, 9L 10-17, 18E, 18F 19-24, 25D, 26-33	S-43484-SOAFB-R-18/20	PWR RECLINING BACK, 15-20IN WIDE, CANTILEVER, 18+W	2022-03-31	
1-5, 7, 8, 9M, 9N 10-17, 18E, 18F 19-24, 25D, 26-33	S-43484-SOAFB-R-15/17	PWR RECLINING BACK, 15-20IN WIDE, CANTILEVER, 17-W	2022-03-31	
1-5, 7, 8, 9I, 9J 10-17, 18E, 18F 19-24, 25D, 26-33	S-43484-SOAFB-R-19/24	PWR RECLINING BACK, 19-24IN WIDE, CANTILEVER	2022-03-31	
1-5, 7, 8, 9O, 9P 10-17, 18E, 18F 19-24, 25D, 26-33	S-43484-SOAFB-R-24/28	VHD POWER RECLINING BACK, 24-28IN WIDE, CANTILEVER	2022-03-31	

POWER RECLINNING BACK - SECTION 2.1.2



SIGNATURE POWER RECLINING BACKREST			
ITEM #	PART #	DESCRIPTION	EFFECTIVE
1	1003620	KIT, PUSH HANDLE FOR SIGNATURE RECLINING BACK, EA	2025-06-26
2A	1003618	KIT, BACK CANE EXT. 20-24IN (510-610MM), RECL, EA	2025-06-26
2B	1003619	KIT, BACK CANE EXT. 24-28IN (610-710MM), RECL, EA	2025-06-26
3	1003613	ELECTRONICS SHROUD COVER, SIGNATURE RECLINING BACK	2025-06-26
4A	1005618	ACTUATOR, STROKE 180 MM, 3500N, EBX [E2378]	2025-06-26
4B	1005619	ACTUATOR, STROKE 180 MM, 3500N [E2378]	2025-06-26
5	1005620	KIT, PIVOT SHROUD COVERS, RECLINING BACK, PR	2025-06-26
6A	1003616	KIT, STS PWR RECL.BACK, 14-19IN (355-510MM)[E1004]	2025-06-26
6B	1003617	KIT, STS PWR RECL.BACK, 17-22IN (430-560MM)[E1004]	2025-06-26
6C	1004935	KIT, STS PWR RECL.BACK, 20-25IN (510-635MM)[E1004]	2025-06-26
6D	1005097	KIT, STS PWR RECL.BACK, 23-28IN (585-710MM)[E1004]	2025-06-26

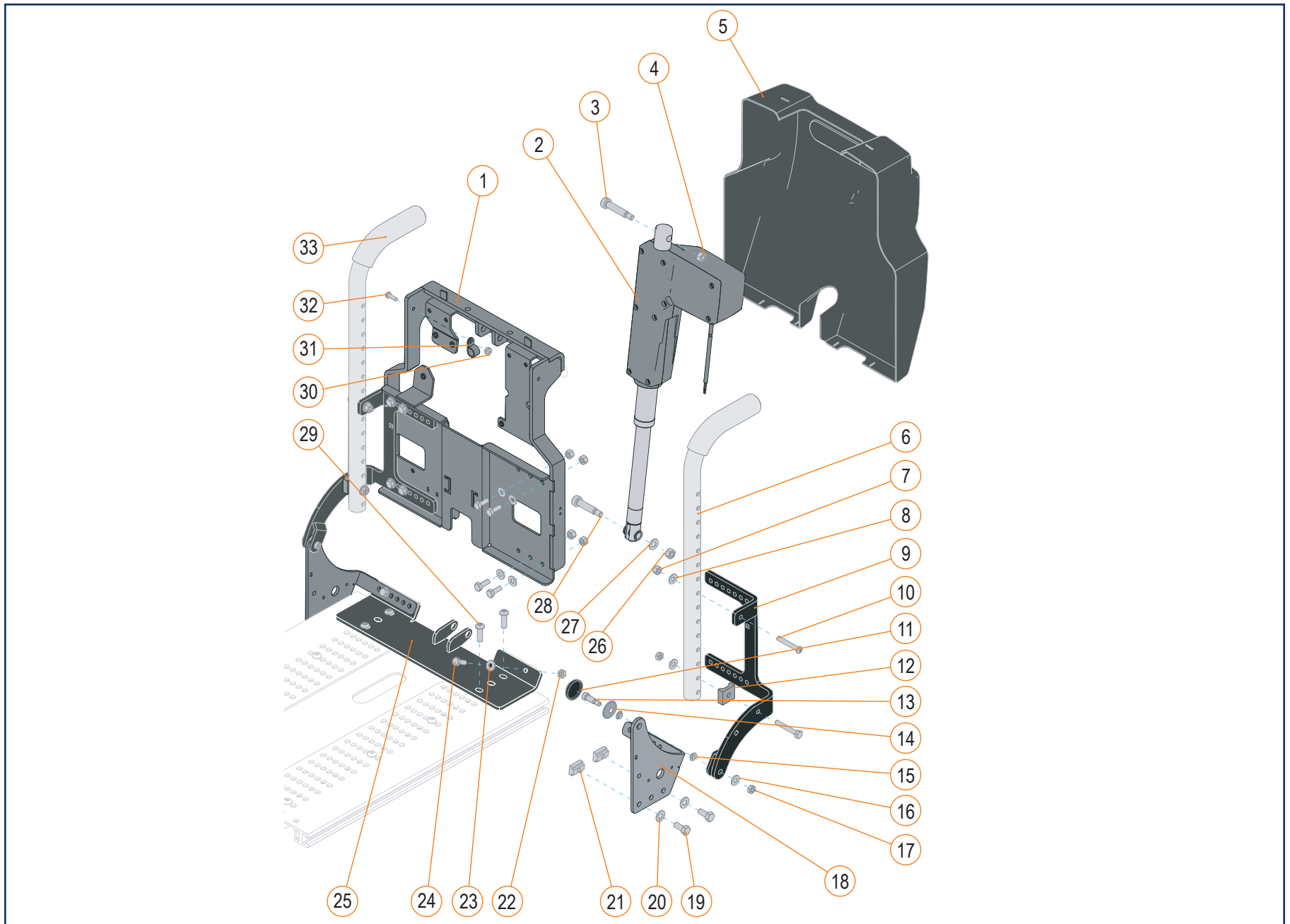
POWER RECLINING BACK - SECTION 2.1.2



**POWER RECLINING BACKREST FOR ASCENT POWER STANDING MODULE**

ITEM #	PART #	DESCRIPTION	EFFECTIVE
2-4, 26-28	S-0220	ACTUATOR, STROKE, 168 MM 4000N, EBX	2019-09-30
5	A93158	ELECTRONICS SHROUD COVER	2008-04-30
6A	A93172	CANE F, 255-405 MM (10-16IN) / R , 560-585 MM (22-23IN)	2016-03-18
6B	A93175	CANE F, 455-485 MM (18-19IN) / R , 610 MM (24IN)	2016-03-18
6C	A93173	CANE F, 510-535 MM (20-21IN) / R , 660 MM (26IN)	2016-03-18
9A	A93156	BACK POST SUPPORT PIVOT, LEFT HAND, 380 MM TO 505 MM (15 IN-20 IN) WIDE	2008-04-30
9B	A93155	BACK POST SUPPORT PIVOT, RIGHT HAND, 380 MM TO 505 MM (15 IN-20 IN) WIDE	2015-01-15
9C	A93161	BACK POST SUPPORT PIVOT, LEFT HAND, 480 MM TO 610 MM (19 IN-24 IN) WIDE	2019-09-30
9D	A93160	BACK POST SUPPORT PIVOT, RIGHT HAND, 480 MM TO 610 MM (19 IN-24 IN) WIDE	2019-09-30
18A	1001104	BRACKET BENT, MOUNTING BRACKET, LEFT, RECL BACK	2020-08-15
18B	1001103	BRACKET BENT, MOUNTING BRACKET, RIGHT, RECL BACK	2020-08-15
25A	1001013	ACTUATOR LOWER SUPPORT, 380 MM TO 505 MM (15 IN-20 IN) WIDE	2019-09-30
25B	1001005	ACTUATOR LOWER SUPPORT, 480 MM TO 610 MM (19 IN-24 IN) WIDE	2019-09-30
33	H00063	PUSH HANDLE GRIP	2011-10-31
7, 8, 9A, 9B, 10-17	S-0038	BACK POST SUPPORT PIVOT KIT, 380 MM TO 505 MM (15 IN-20 IN) WIDE	2008-04-30
7, 8, 9C, 9D, 10-17	S-0223	BACK POST SUPPORT PIVOT KIT, 480 MM TO 610 MM (19 IN-24 IN) WIDE	2019-09-30
11, 13-17	S-0096	RECLINE PIVOT HARDWARE KIT	2015-03-11
1-5, 7, 8, 9A, 9B, 10-17, 18A, 18B, 19-24, 25A, 26-33	S-0224	PWR RECLINE FOR STANDER, 380 MM TO-505 MM (15 IN-20 IN) WIDE	2019-09-30
1-5, 7, 8, 9C, 9D, 10-17, 18A, 18B, 19-24, 25B, 26-33	S-0225	PWR RECLINE FOR STANDER, 480 MM-610 MM (19 IN-24 IN) WIDE	2019-09-30

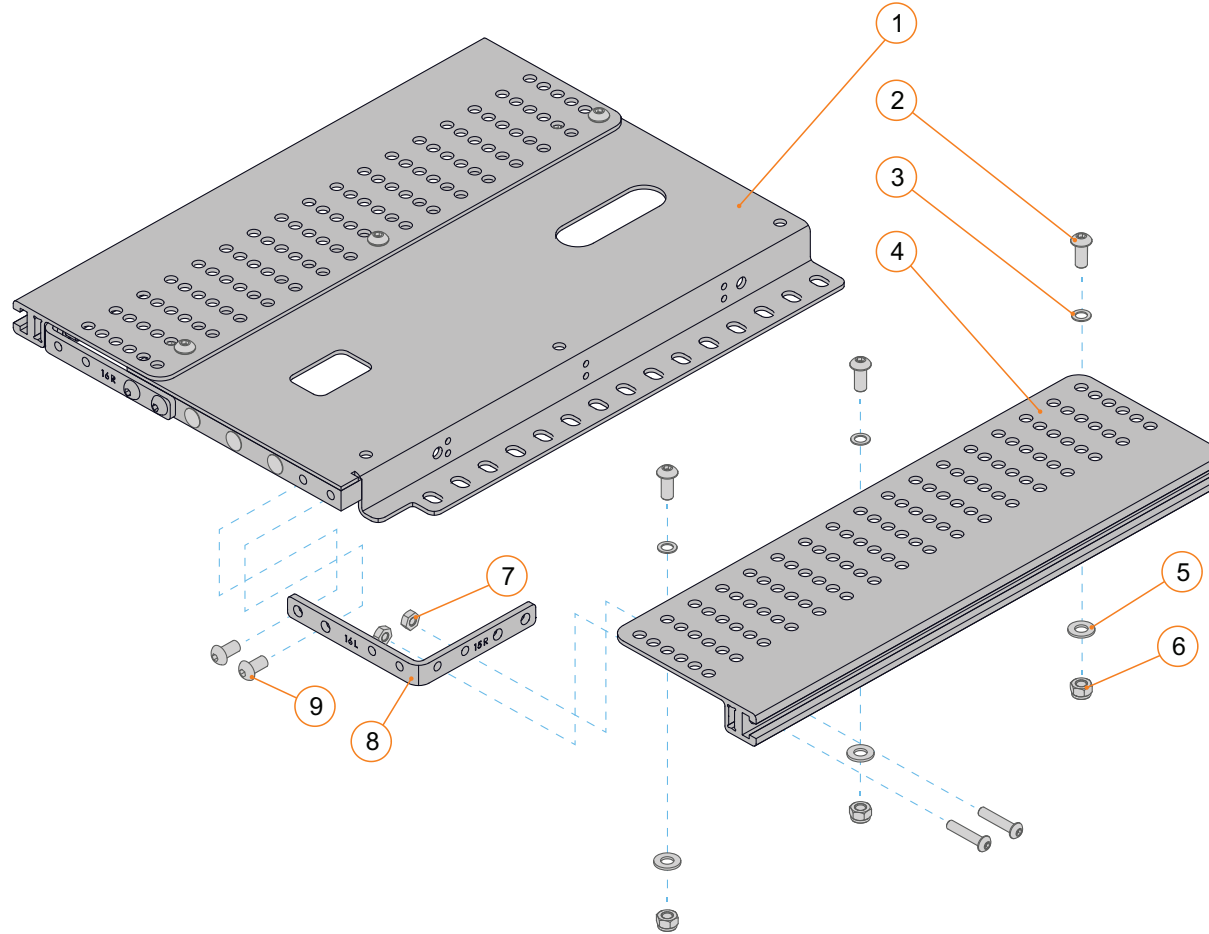
POWER RECLINING BACK - SECTION 2.1.2



POWER RECLINING BACKREST, E-BX							
ITEM #	PART #	DESCRIPTION	EFFECTIVE	ITEM #	PART #	DESCRIPTION	EFFECTIVE
5	A93158	ELECTRONICS SHROUD COVER	2008-04-30	7, 8, 9A, 9B, 10-17	S-0038	BACK POST SUPPORT PIVOT KIT, 380 MM TO 505 MM (15 IN-20 IN) WIDE	2008-04-30
6A	A93172	CANE F, 255-405 MM (10-16IN) / R , 560-585 MM (22-23IN)	2014-12-24	7, 8, 9C, 9D, 10-17	S-0037	BACK POST SUPPORT PIVOT KIT, 480 MM TO 610 MM (19 IN-24 IN) WIDE	2015-03-11
6B	A93175	CANE F, 455-485 MM (18-19IN) / R , 610 MM (24IN)	2008-04-30	11, 13-17	S-0096	RECLINE PIVOT HARDWARE KIT	2015-03-11
6C	A93173	CANE F, 510-535 MM (20-21IN) / R , 660 MM (26IN)	2008-04-30	2-4, 26-28	S-0220	IQ ACTUATOR RECLINE, STROKE 168 MM 4000N	2020-02-03
9A	A93156	BACK POST SUPPORT PIVOT, LEFT HAND, 380 MM TO 505 MM (15 IN-20 IN) W	2008-04-30	1-5, 7, 8, 9A, 9B, 10-17, 18A, 18B 19-24, 25A, 26-33	1001903	POWER RECLINE IQ ACT, 380 MM TO 505 MM (15 IN-20 IN) WIDE	2020-11-16
9B	A93155	BACK POST SUPPORT PIVOT, RIGHT HAND, 380 MM TO 505 MM (15 IN-20 IN) W	2015-01-15	1-5, 7, 8, 9C, 9D, 10-17, 18A, 18B 19-24, 25B, 26-33	1001904	POWER RECLINE IQ ACT, 480 MM TO 610 MM (19 IN-24 IN) WIDE	2020-11-16
9C	A93161	BACK POST SUPPORT PIVOT, LEFT HAND, 480 MM TO 610 MM (19 IN-24 IN) W	2015-01-15	1-5, 7, 8, 9E, 9F, 10-17, 18C, 18D, 19-24, 25C, 26-33	S-39160-02	VHD PWR RECLINE IQ ACT, 610-710 MM (24-28IN) WIDE	2021-02-19
9D	A93160	BACK POST SUPPORT PIVOT, RIGHT HAND, 480 MM TO 610 MM (19 IN-24 IN) W	2015-01-15	1-5, 7, 8, 9E, 9F, 10-17, 18E, 18F 19-24, 25D, 26-33	S-39160-04	VHD POWER RECLINING BACK, EBX, 19-24IN WIDE	2021-12-22
9E	39160-A02	BACK POST SUPPORT PIVOT, LH, 610-710MM (24"-28") W	2021-02-04	1-5, 7, 8, 9K, 9L, 10-17, 18A, 18B 19-24, 25A, 26-33	S-43484-SOAFB-EBX-R-18/20	PWR RECLINING BACK EBX, 15-20IN WIDE, CANTIL, 18+W	2022-03-31
9F	39160-A03	BACK POST SUPPORT PIVOT, RH, 610-710MM (24"-28") W	2021-02-04	1-5, 7, 8, 9M, 9N, 10-17, 18A, 18B 19-24, 25A, 26-33	S-43484-SOAFB-EBX-R-15/17	PWR RECLINING BACK EBX, 15-20IN WIDE, CANTIL, 17-W	2022-03-31
9G	39160-A09	BACK POST SUPPORT PIVOT, LH, 480-610MM (19"-24") W	2021-12-13	1-5, 7, 8, 9I, 9J, 10-17, 18A, 18B 19-24, 25B, 26-33	S-43484-SOAFB-R-19/24-EBX	PWR RECLINING BACK, EBX, 19-24IN WIDE, CANTILEVER	2022-03-31
9H	39160-A08	BACK POST SUPPORT PIVOT, RH, 480-610MM (19"-24") W	2021-12-13	1-5, 7, 8, 9O, 9P, 10-17, 18C, 18D, 19-24, 25C, 26-33	S-43484-SOAFB-R-24/28-EBX	VHD PWR RECLINING BACK, EBX, 24-28IN W, CANTILEVER	2022-03-31
9I	43484-A01	BACK POST SUPPORT RECL, 19-24IN W, LH, CANTILEVER	2022-03-31				
9J	43484-A02	BACK POST SUPPORT RECL, 19-24IN W, RH, CANTILEVER	2022-03-31				
9K	43484-A03	BACK POST SUPPORT PIVOT, RH, 380-505MM (15"-20") W	2022-03-31				
9L	43484-A04	BACK POST SUPPORT RECL, 15-20IN W, LH, CANTI, 18+	2022-03-31				
9M	43484-A05	BACK POST SUPPORT RECL, 15-20IN W, RH, CANTI, 17-	2022-03-31				
9N	43484-A06	BACK POST SUPPORT RECL, 15-20IN W, LH, CANTI, 17-	2022-03-31				
9O	43484-A08	BACK POST SUPPORT RECL, 24-28IN W, RH, CANTILEVER	2022-03-31				
9P	43484-A09	BACK POST SUPPORT RECL, 24-28IN W, LH, CANTILEVER	2022-03-31				
18A	A93154	SIDE MOUNTING BRACKET, LEFT HAND	2015-01-15				
18B	A93153	SIDE MOUNTING BRACKET, RIGHT HAND	2015-01-15				
18C	39160-A04	SIDE MOUNTING BRACKET, RH, 610-710 MM (24-28") VHD	2021-02-04				
18D	39160-A05	SIDE MOUNTING BRACKET, LH, 610-710 MM (24-28") VHD	2021-02-04				
18E	39160-A07	SIDE MOUNTING BRACKET, LH, 480-610 MM (19-24") VHD	2021-12-13				
18F	39160-A06	SIDE MOUNTING BRACKET, RH, 480-610 MM (19-24") VHD	2021-12-13				
25A	A93152	ACTUATOR LOWER SUPPORT, 380 MM TO 505 MM (15 IN-20 IN) WIDE	2015-01-15				
25B	A93159	ACTUATOR LOWER SUPPORT, 480 MM TO 610 MM (19 IN-24 IN) WIDE	2015-01-15				
25C	39160-A01	ACTUATOR LOWER SUPPORT, 610-710 MM (24"-28") WIDE	2021-02-04				
25D	39160-A10	ACTUATOR LOWER SUPPORT, 480-610 MM (19"-24") WIDE	2021-12-13				
33	H00063	PUSH HANDLE GRIP	2011-10-31				

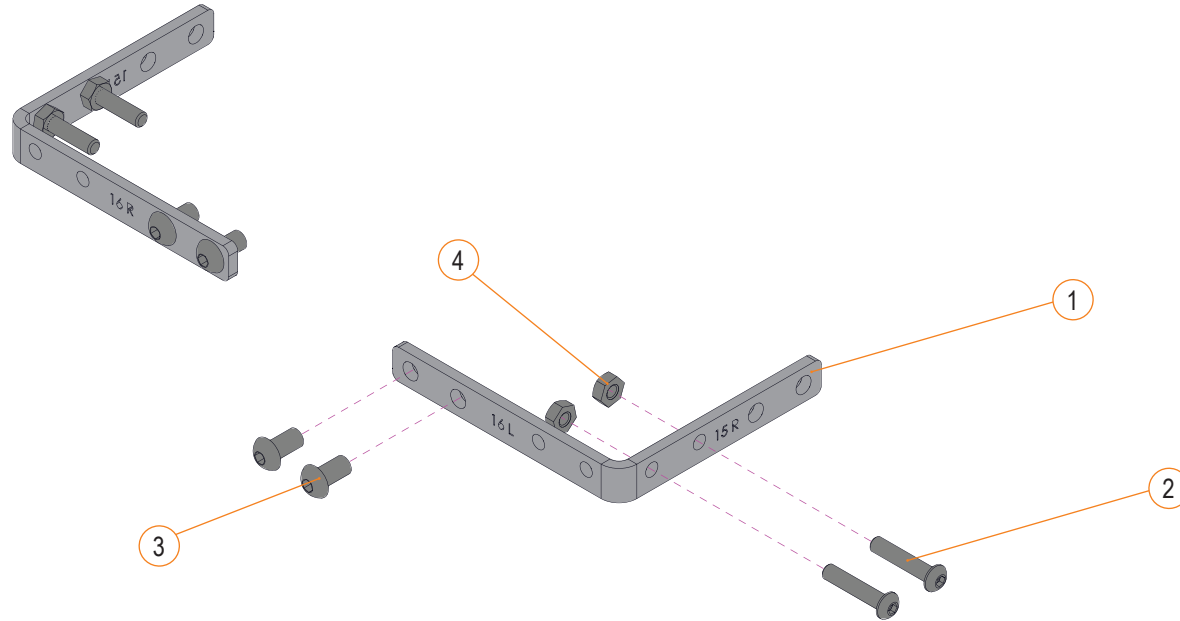
PEDIATRIC SEAT PAN - SECTION 2.2.1

PEDIATRIC SEAT PAN			
ITEM #	PART #	DESCRIPTION	PRIOR TO
1-6	C-9547	PEDIATRIC SEAT PAN, 280 MM TO 405 MM (11 IN-16 IN) WIDE	2024-06-15
7-9	C-9548	PEDIATRIC SEAT REINFORCEMENT, 380 MM TO 405 MM (15 IN-16 IN) WIDE	2024-06-15

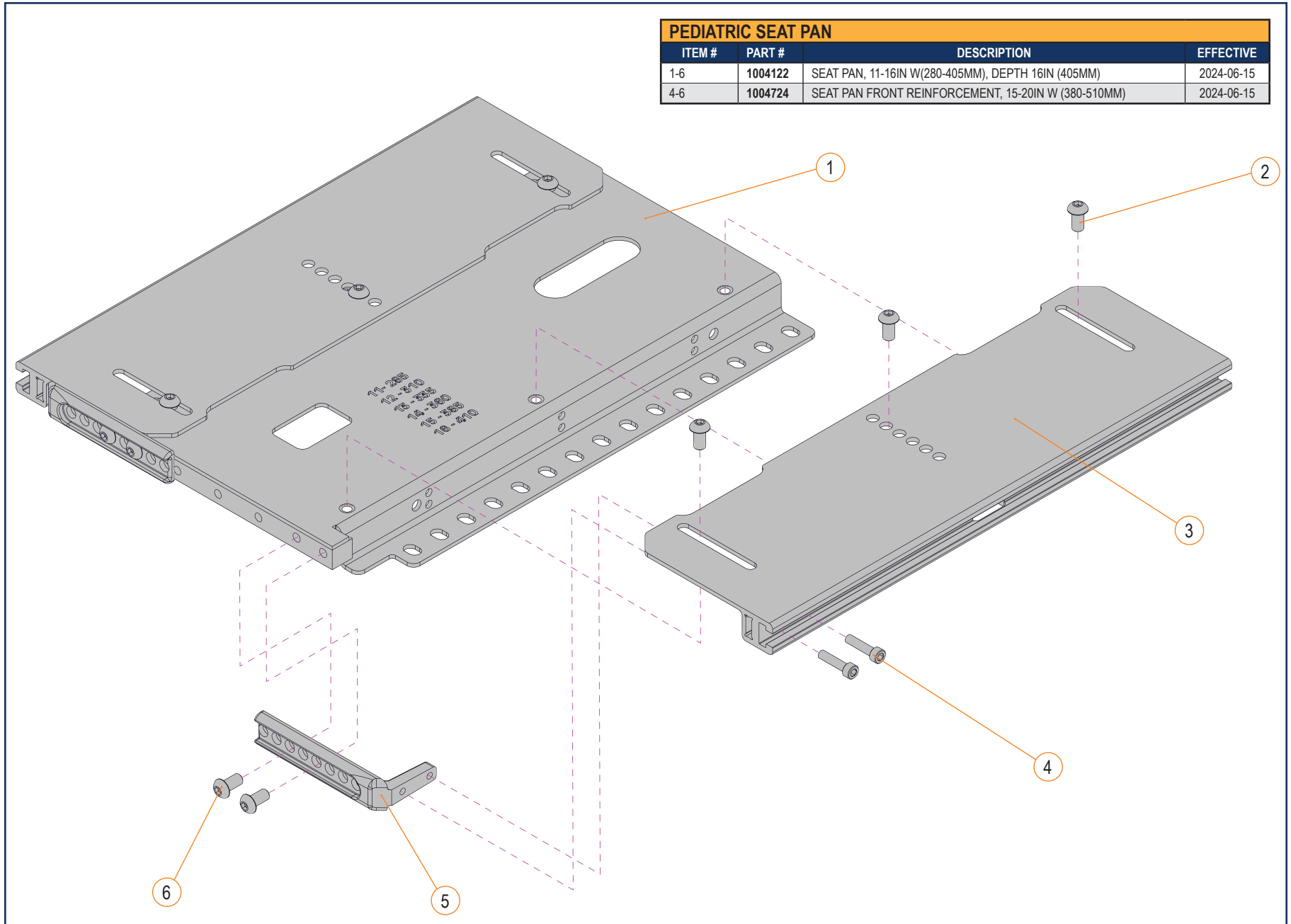


PEDIATRIC SEAT PAN - SECTION 2.2.1

PEDIATRIC SEAT PAN REINFORCEMENTS			
ITEM #	PART #	DESCRIPTION	PRIOR TO
1A, 1B, 2-4	C-9548	PEDIATRIC SEAT REINFORCEMENT, 380 MM TO 405 MM (15 IN-16 IN) WIDE	2024-06-15

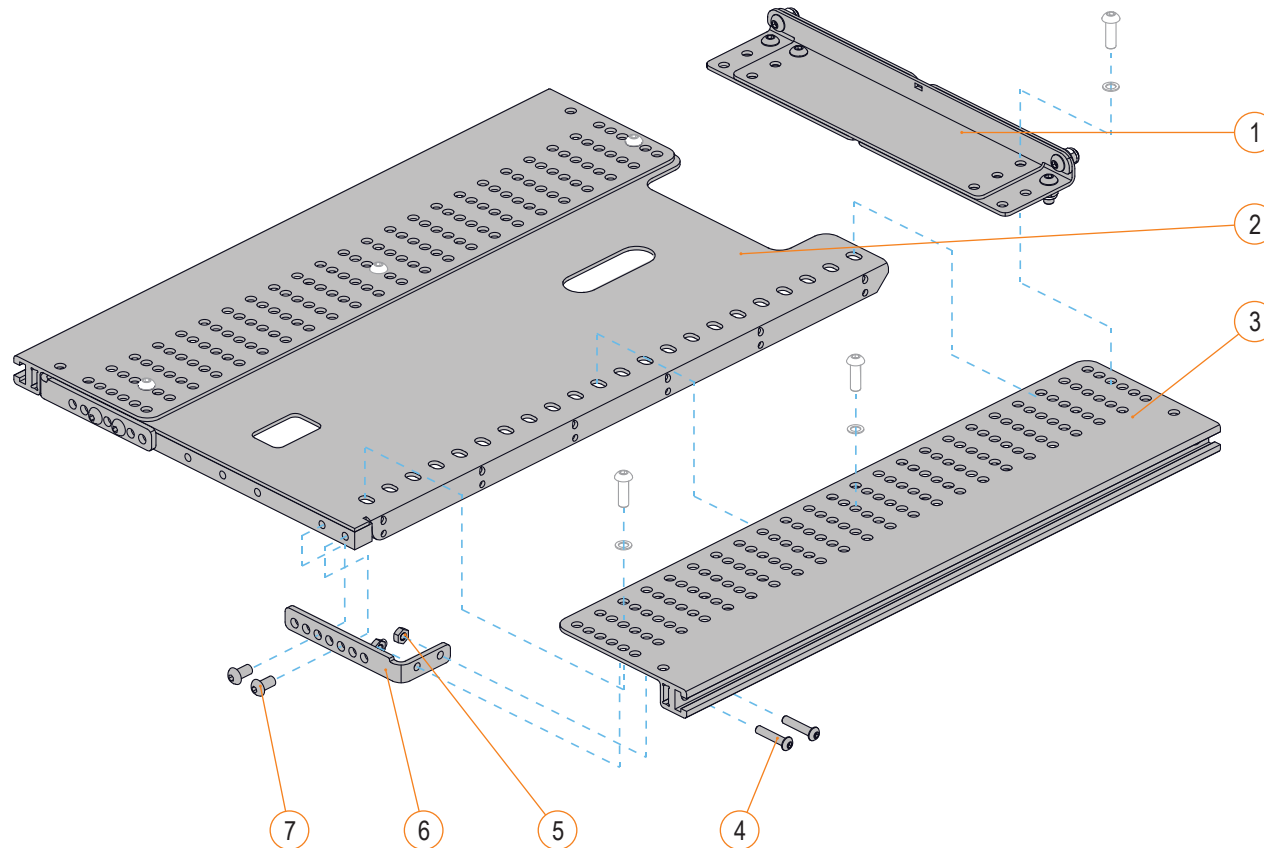


PEDIATRIC SEAT PAN - SECTION 2.2.1



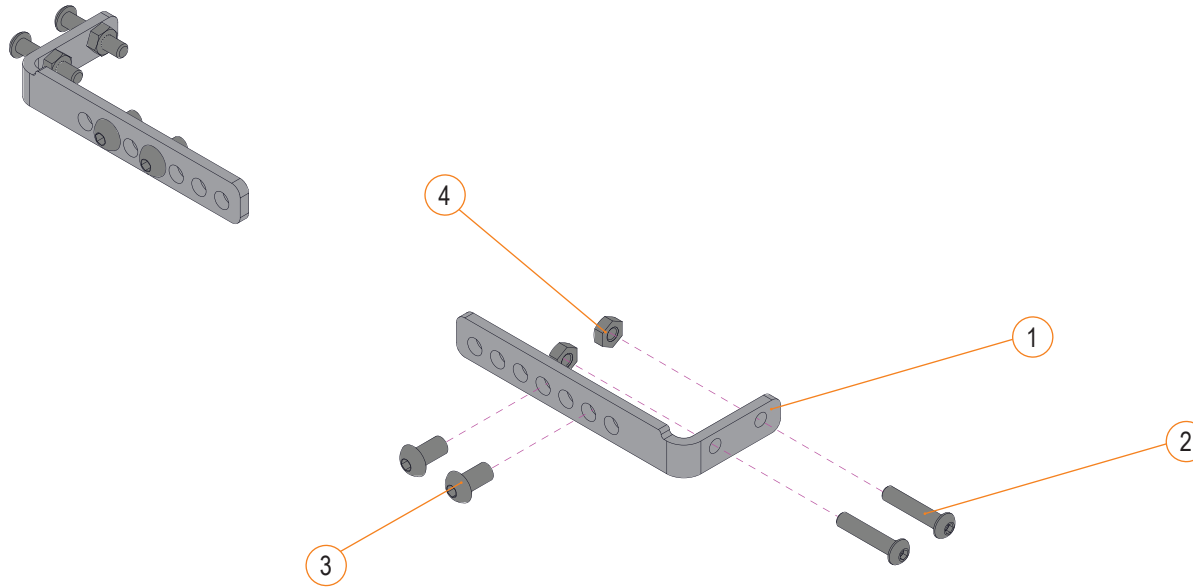
ADULT SEAT PAN - SECTION 2.2.2

ADULT SEAT PAN			
ITEM #	PART #	DESCRIPTION	PRIOR TO
1A	1002411	ADULT SEAT REAR REINFORCEMENT, 380 MM TO 610 MM (15 IN-24 IN) WIDE	2024-06-15
1B	1002412	ADULT SEAT REAR REINFORCEMENT, 610 MM TO 710 MM (24 IN-28 IN) WIDE	2024-06-15
2A,3A	S-0261	SEAT PAN 380-505MM WIDTH (15-20IN), DEPTH 480 MM (19IN)	2024-06-15
2B,3B	S-0262	SEAT PAN 380-505MM WIDTH (15-20IN), DEPTH 560 MM (22IN)	2024-06-15
2C,3C	S-0263	SEAT PAN 480-610MM WIDTH (19-24IN), DEPTH 560 MM (22IN)	2024-06-15
2D,3D	S-0264	SEAT PAN 610-710MM WIDTH (24-28IN), DEPTH 560 MM (22IN)	2024-06-15

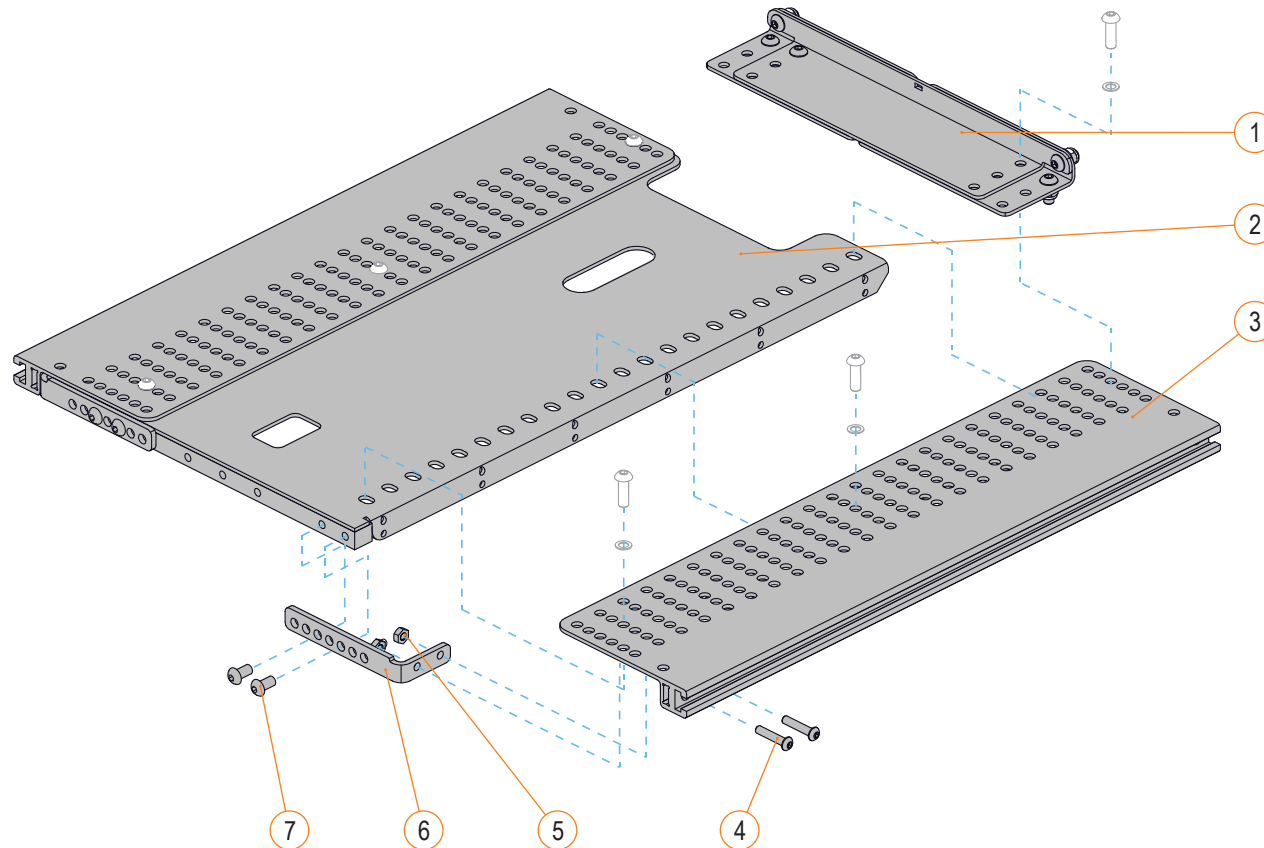


ADULT SEAT PAN - SECTION 2.2.2

ADULT SEAT PAN REINFORCEMENTS			
ITEM #	PART #	DESCRIPTION	PRIOR TO
1A,1B,2,3,4	C-9521	ADULT SEAT FRONT REINFORCEMENT, 380 MM TO 505 MM (15 IN-20 IN) WIDE	2024-06-15
1C,1D,2,3,4	C-9523	ADULT SEAT FRONT REINFORCEMENT, 480 MM TO 610 MM (19 IN-24 IN) WIDE	2024-06-15
1E,1F,2,3,4	C-9525	ADULT SEAT FRONT REINFORCEMENT, 610 MM TO 710 MM (24 IN-28 IN) WIDE	2024-06-15

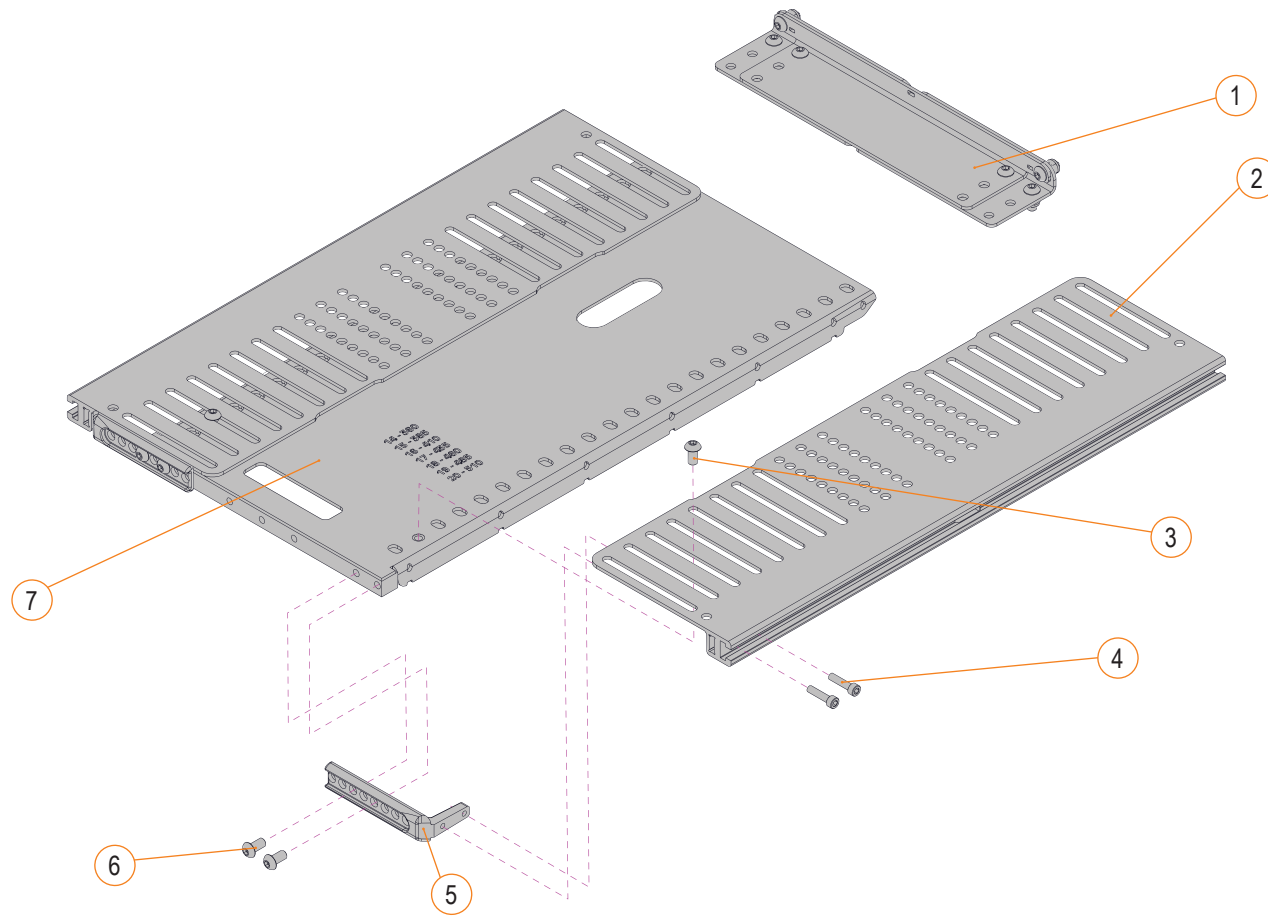


ADULT SEAT PAN STANDER			
ITEM #	PART #	DESCRIPTION	EFFECTIVE
1A	1002411	ADULT SEAT REAR REINFORCEMENT, 380 MM TO 610 MM (15 IN-24 IN) WIDE	2020-11-23
1B	1002412	ADULT SEAT REAR REINFORCEMENT, 610 MM TO 710 MM (24 IN-28 IN) WIDE	2020-11-23
2A, 3A	S-0154	SEAT ADJUSTABLE 15" TO 20" W X 19" D W/STANDER	2019-09-03
2B, 3B	S-0155	SEAT ADJUSTABLE 15" TO 20" W X 22" D W/STANDER	2019-09-03
2C, 3C	S-0156	SEAT ADJUSTABLE 19" TO 24" W X 22" D W/STANDER	2019-09-03
4,5,6A,6B,7	C-9521	ADULT SEAT FRONT REINFORCEMENT, 380 MM TO 505 MM (15 IN-20 IN) WIDE	2009-03-25
4,5,6C,6D,7	C-9523	ADULT SEAT FRONT REINFORCEMENT, 480 MM TO 610 MM (19 IN-24 IN) WIDE	2009-03-25
4,5,6E,6F,7	C-9525	ADULT SEAT FRONT REINFORCEMENT, 610 MM TO 710 MM (24 IN-28 IN) WIDE	2009-03-25

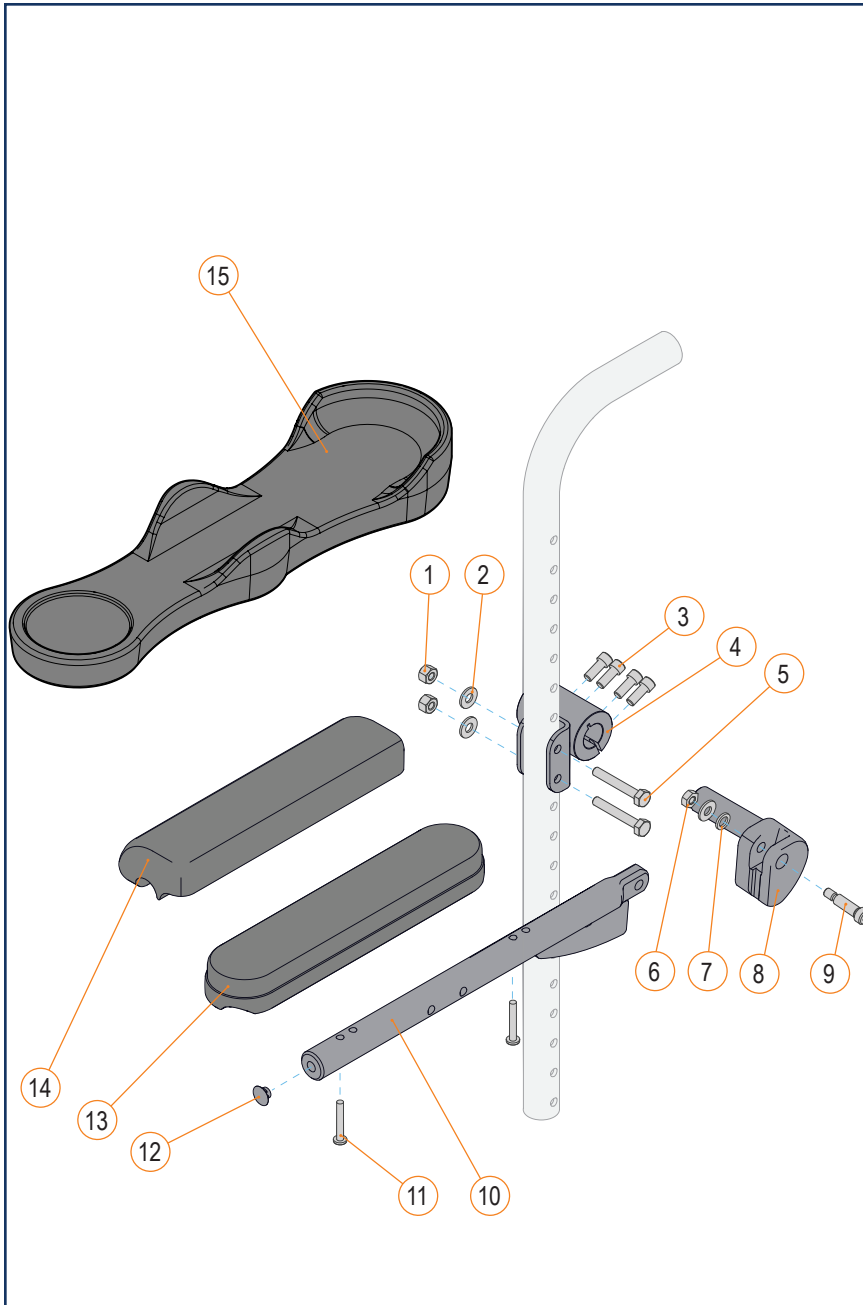


ADULT SEAT PAN - SECTION 2.2.2

ADULT SEAT PAN			
ITEM #	PART #	DESCRIPTION	EFFECTIVE
1A	1002411	SEAT REAR REINFORCEMENT 380 TO 610MM W(15IN-24IN)	2020-11-23
1B	1002412	SEAT REAR REINFORCEMENT 610 TO 710MM W(24IN-28IN)	2020-11-23
2A, 3, 4, 5A, 6, 7A	1003241	SEAT PAN, 14-20IN W(355-510MM), DEPTH 22IN (560MM)	2024-06-15
2B, 3, 4, 5A, 6, 7B	1003242	SEAT PAN, 14-20IN W(355-510MM), DEPTH 19IN (480MM)	2024-06-15
2E, 3, 4 5B, 6, 7E	1004120	SEAT PAN, 19-25IN W(480-635MM), DEPTH 22IN (560MM)	2024-06-15
2F, 3 4, 5A, 6, 7F	1004121	SEAT PAN, 23-28IN W(585-710MM), DEPTH 22IN (560MM)	2024-06-15
2G, 3 4, 5A, 6, 7G	1004908	SEAT PAN, 23-28IN W(585-710MM), DEPTH 24IN (610MM)	2024-06-15
4, 5A, 6	1004724	SEAT PAN FRONT REINFORCEMENT, 15-20IN W(380-510MM)	2024-06-15
4, 5B, 6	1004725	SEAT PAN FRONT REINFORCEMENT, 17-28IN W(430-710MM)	2024-06-15

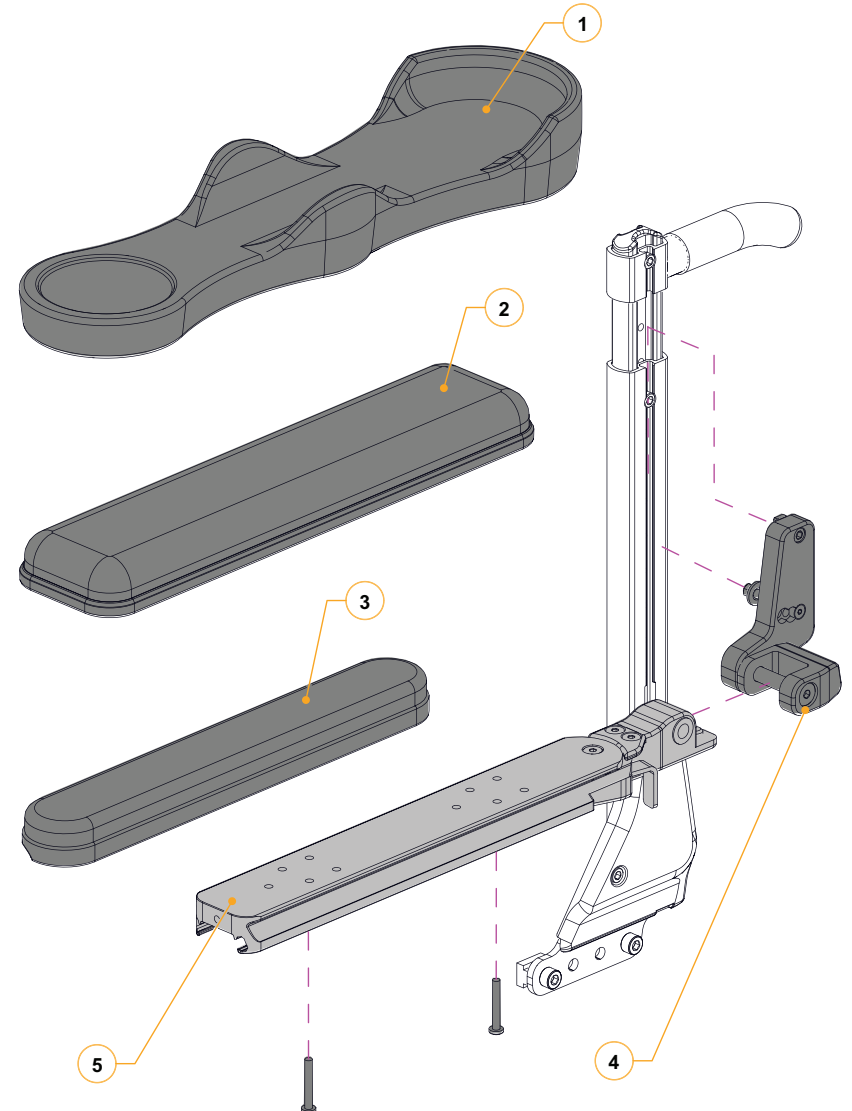


CANTILEVER ARMRESTS - SECTION 2.3.1



CANTILEVER ARMREST			
ITEM #	PART #	DESCRIPTION	EFFECTIVE
4A	A91100	REAR CANTILEVER ARMREST MOUNTING, LEFT HAND	2014-03-25
4B	A91103	REAR CANTILEVER ARMREST MOUNTING, RIGHT HAND	2014-03-25
4C	43484-A07	REAR CANTILEVER ARMREST MOUNT W/ RECLINE 18IN WIDE	2022-03-31
8A	A91101	PIVOT BLOC, CANTILEVER ARMREST, LEFT HAND	2014-03-25
8B	A91104	PIVOT BLOC, CANTILEVER ARMREST, RIGHT HAND	2014-03-25
10A	A91102	CANTILEVER ARMREST TUBE, LEFT HAND, DESK LENGTH	2014-03-25
10B	A91105	CANTILEVER ARMREST TUBE, RIGHT HAND, DESK LENGTH	2014-03-25
10C	A91106	CANTILEVER ARMREST TUBE, LEFT HAND, FULL LENGTH	2014-03-25
10D	A91107	CANTILEVER ARMREST TUBE, RIGHT HAND, FULL LENGTH	2014-03-25
10E	112250-A07	LH CANTILEVER ARM REST TUBE, 18" LENGTH	2023-08-15
10F	112250-A08	RH CANTILEVER ARM REST TUBE, 18" LENGTH	2023-08-15
10G	112250-A03	LH CANTILEVER ARM REST TUBE, 20" LENGTH	2023-08-15
10H	112250-A04	RH CANTILEVER ARM REST TUBE, 20" LENGTH	2023-08-15
10I	112250-A11	LH CANTILEVER ARM REST TUBE, 22" LENGTH	2023-08-15
10J	112250-A12	RH CANTILEVER ARM REST TUBE, 22" LENGTH	2023-08-15
11,15	C-91126	KIT CHANNEL ARMREST, ASSEMBLY	2013-01-14
13A,11	S-0119	FLAT ARM PAD, DESK LENGTH	2008-04-30
13B,11	S-0120	FLAT ARM PAD, FULL LENGTH	2008-04-30
13C,11	S-0123	FLAT GEL FOAM ARM PAD, DESK LENGTH	2008-04-30
13D,11	S-0124	FLAT GEL FOAM ARM PAD, FULL LENGTH	2008-04-30
14A,11	S-0121	WATERFALL ARM PAD, DESK LENGTH	2008-04-30
14B,11	S-0122	WATERFALL ARM PAD, FULL LENGTH	2008-04-30
14C,11	S-0125	WATERFALL GEL FOAM ARM PAD, DESK LENGTH	2008-04-30
14D,11	S-0126	WATERFALL GEL FOAM ARM PAD, FULL LENGTH	2008-04-30
1-3,4A,5-7, 8A,9,10A,12	C-91130	CANTILEVER ARMREST, LEFT HAND, DESK LENGTH	2014-03-25
1-3,4B,5-7, 8B,9,10B,12	C-91129	CANTILEVER ARMREST, RIGHT HAND, DESK LENGTH	2014-03-25
1-3,4A,5-7, 8A,9,10C,12	C-91128	CANTILEVER ARMREST, LEFT HAND, FULL LENGTH	2014-03-25
1-3,4B,5-7, 8B,9,10D,12	C-91127	CANTILEVER ARMREST, RIGHT HAND, FULL LENGTH	2014-03-25
1-3,4C,5-7, 8A,9,10A,12	S-43484-18-DLH	CANTILEVER ARMREST W/ RECLINE, DESK LGTH, LH, 18W	2022-03-31
1-3,4C,5-7, 8B,9,10B,12	S-43484-18-DRH	CANTILEVER ARMREST W/ RECLINE, DESK LGTH, RH, 18W	2022-03-31
1-3,4C,5-7, 8A,9,10C,12	S-43484-18-FLH	CANTILEVER ARMREST W/ RECLINE, FULL LGTH, LH, 18W	2022-03-31
1-3,4C,5-7, 8B,9,10D,12	S-43484-18-FRH	CANTILEVER ARMREST W/ RECLINE, FULL LGTH, RH, 18W	2022-03-31
1-3,4A,5-7, 8A,9,10E,12	S-112250-18-L	KIT - LH CANTILEVER ARM REST, LENGTH 18 IN	2023-08-15
1-3,4B,5-7, 8A,9,10F,12	S-112250-18-R	KIT - RH CANTILEVER ARM REST, LENGTH 18 IN	2023-08-15
1-3,4A,5-7, 8A,9,10G,12	S-112250-20-L	KIT - LH CANTILEVER ARM REST, LENGTH 20 IN	2023-08-15
1-3,4B,5-7, 8A,9,10H,12	S-112250-20-R	KIT - RH CANTILEVER ARM REST, LENGTH 20 IN	2023-08-15
1-3,4A,5-7, 8A,9,10I,12	S-112250-22-L	KIT - LH CANTILEVER ARM REST, LENGTH 22 IN	2023-08-15
1-3,4B,5-7, 8A,9,10J,12	S-112250-22-R	KIT - RH CANTILEVER ARM REST, LENGTH 22 IN	2023-08-15

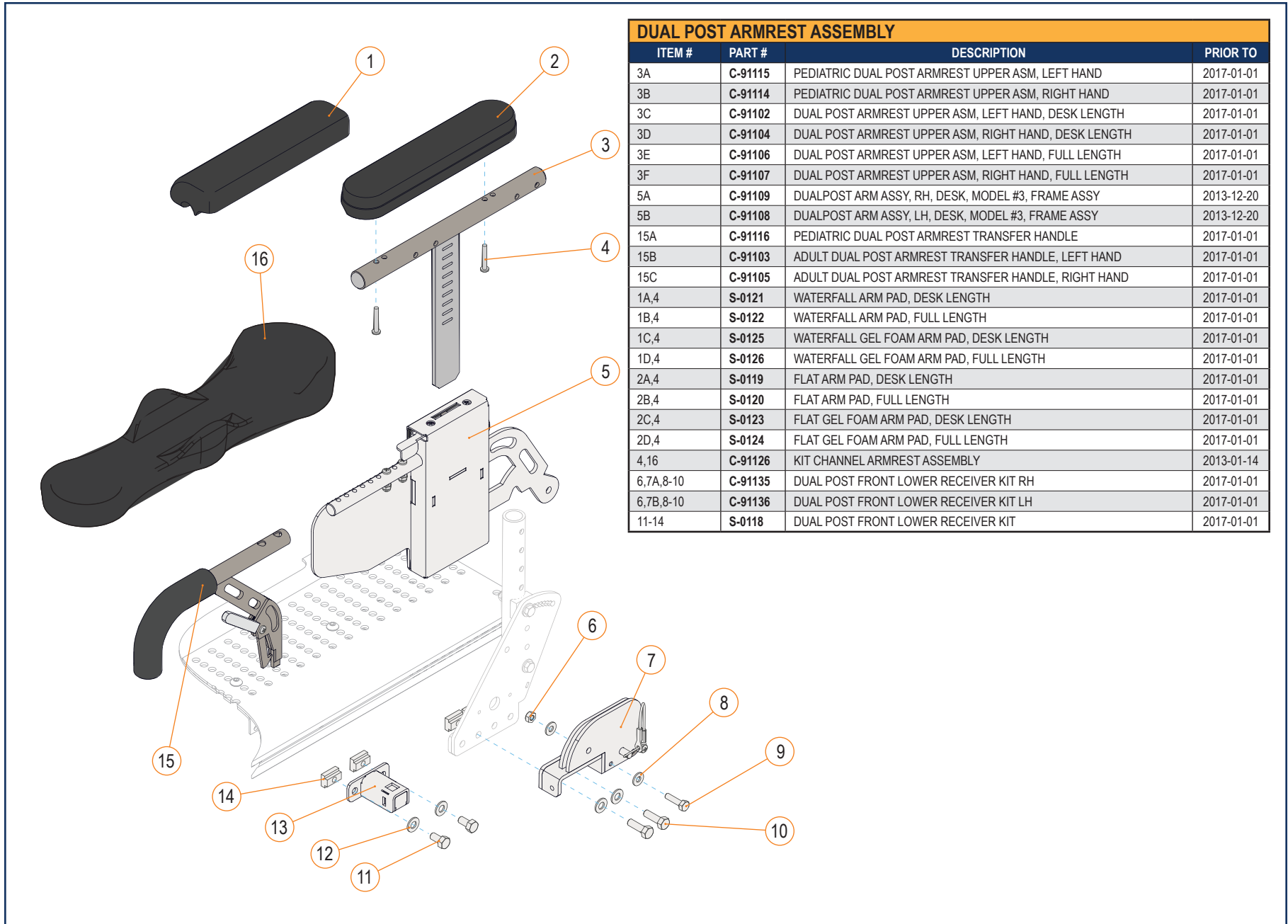
SIGNATURE CANTILEVER ARMREST			
ITEM #	PART #	DESCRIPTION	EFFECTIVE
1	FAUX	KIT CHANNEL ARMPAD, ASSY	2025-06-26
2A	1005431	X-WIDE 3.5IN (90MM) FOAM ARMPAD, 10IN (255MM) LONG	2025-06-26
2B	1005432	X-WIDE 3.5IN (90MM) GEL ARMPAD, 10IN (255MM) LONG	2025-06-26
2C	1005433	X-WIDE 3.5IN (90MM) FOAM ARMPAD, 14IN (355MM) LONG	2025-06-26
2D	1005434	X-WIDE 3.5IN (90MM) GEL ARMPAD, 14IN (355MM) LONG	2025-06-26
2E	1005435	X-WIDE 3.5IN (90MM) FOAM ARMPAD, 16IN (405MM) LONG	2025-06-26
2F	1005436	X-WIDE 3.5IN (90MM) GEL ARMPAD, 16IN (405MM) LONG	2025-06-26
3A	S-0119	FLAT ARMPAD DESK LENGTH [K0019]	2025-06-26
3B	S-0120	FLAT ARMPAD FULL LENGTH [K0019]	2025-06-26
3C	S-0123	FLAT GEL FOAM ARM PAD, DESK LENGTH [K0019]	2025-06-26
3D	S-0124	FLAT GEL FOAM ARM PAD, FULL LENGTH [K0019]	2025-06-26
4A	1003645	KIT, CANTILEVER ARMREST, REAR CANE MOUNTING BKT,LH	2025-06-26
4B	1004395	KIT, CANTILEVER ARMREST, REAR CANE MOUNTING BKT,RH	2025-06-26 </td
5A	1003623	KIT, CANTILEVER ARMREST EXTRUSION, 12IN (305MM),RH	2025-06-26
5B	1003624	KIT, CANTILEVER ARMREST EXTRUSION, 12IN (305MM),LH	2025-06-26
5C	1003625	KIT, CANTILEVER ARMREST EXTRUSION, 16IN (405MM),RH	2025-06-26
5D	1003626	KIT, CANTILEVER ARMREST EXTRUSION, 16IN (405MM),LH	2025-06-26
5E	1003629	KIT, CANTILEVER ARMREST EXTRUSION, 18IN (455MM),RH	2025-06-26
5F	1003630	KIT, CANTILEVER ARMREST EXTRUSION, 18IN (455MM),LH	2025-06-26
5G	1005360	KIT, CANTILEVER ARMREST EXTRUSION, 20IN (505MM),RH	2025-06-26
5H	1005365	KIT, CANTILEVER ARMREST EXTRUSION, 20IN (505MM),LH	2025-06-26
5I	1005361	KIT, CANTILEVER ARMREST EXTRUSION, 22IN (560MM),RH	2025-06-26
5J	1005364	KIT, CANTILEVER ARMREST EXTRUSION, 22IN (560MM),LH	2025-06-26



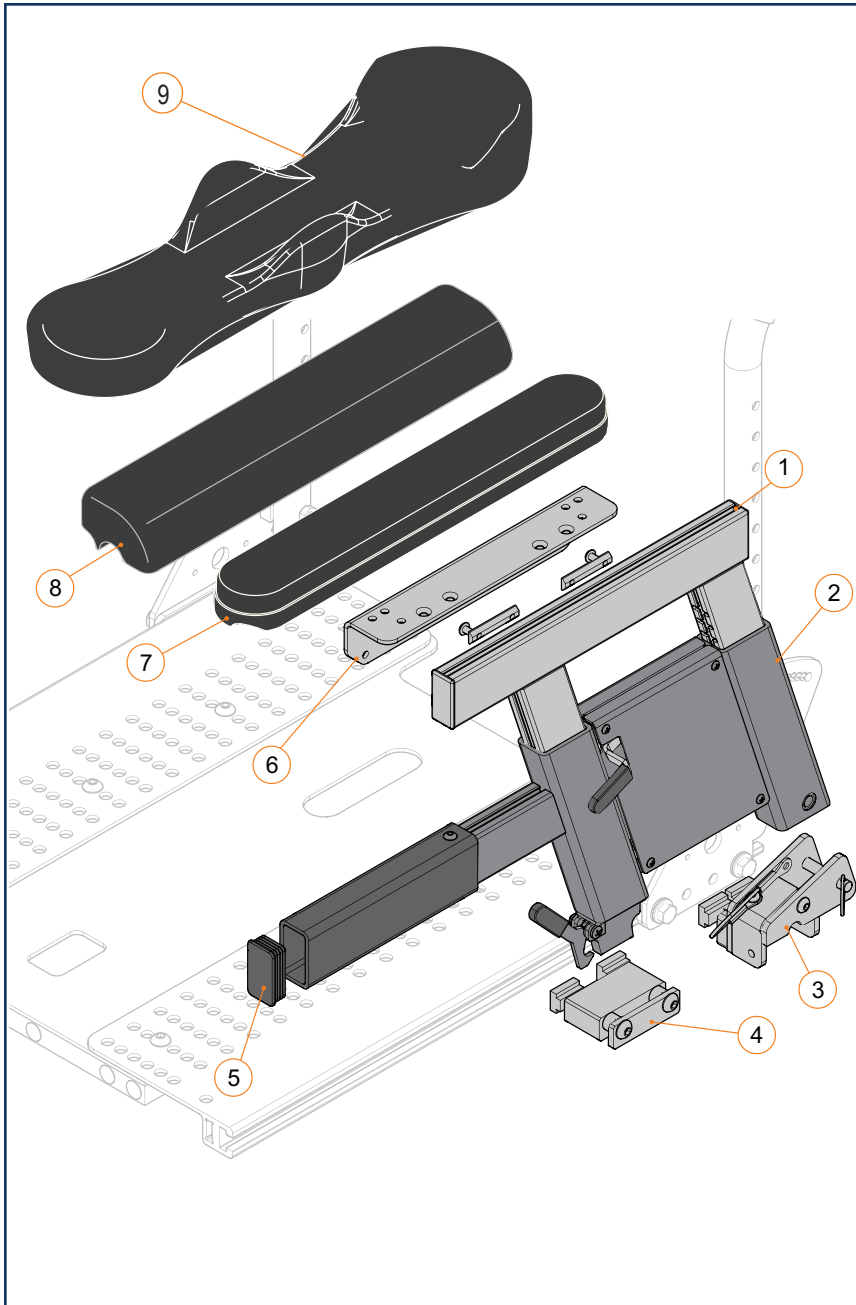
## CANTILEVER ARMRESTS - SECTION 2.3.1

CANTILEVER ARMREST FOR STANDER				
ITEM #	PART #	DESCRIPTION	DATE	EFFECTIVE
1-3, 4A, 5-6, 7A, 9	S-0178	CANTILEVER ARMREST, LEFT HAND, DESK LENGTH	2019-09-03	
1-3, 4B, 5-6, 7B, 9	S-0179	CANTILEVER ARMREST, RIGHT HAND, DESK LENGTH	2019-09-03	
1-3, 4A, 5-6, 7C, 9	S-0180	CANTILEVER ARMREST, LEFT HAND, FULL LENGTH	2019-09-03	
1-3, 4B, 5-6, 7D, 9	S-0181	CANTILEVER ARMREST, RIGHT HAND, FULL LENGTH	2019-09-03	
7A	A91102	CANTILEVER ARMREST TUBE, LEFT HAND, DESK LENGTH	2014-03-25	
7B	A91105	CANTILEVER ARMREST TUBE, RIGHT HAND, DESK LENGTH	2014-03-25	
7C	A91106	CANTILEVER ARMREST TUBE, LEFT HAND, FULL LENGTH	2014-03-25	
7D	A91107	CANTILEVER ARMREST TUBE, RIGHT HAND, FULL LENGTH	2014-03-25	
8, 11A	S-0119	FLAT ARM PAD, DESK LENGTH	2008-04-30	
8, 11B	S-0120	FLAT ARM PAD, FULL LENGTH	2008-04-30	
8, 11C	S-0123	FLAT GEL FOAM ARM PAD, DESK LENGTH	2008-04-30	
8, 11D	S-0124	FLAT GEL FOAM ARM PAD, FULL LENGTH	2008-04-30	
8, 10A	S-0121	WATERFALL ARM PAD, DESK LENGTH	2008-04-30	
8, 10B	S-0122	WATERFALL ARM PAD, FULL LENGTH	2008-04-30	
8, 10C	S-0125	WATERFALL GEL FOAM PAD, DESK LENGTH	2008-04-30	
8, 10D	S-0126	WATERFALL GEL FOAM PAD, FULL LENGTH	2008-04-30	
8,12	C-91126	KIT CHANNEL ARMREST, ASSEMBLY	2013-01-14	

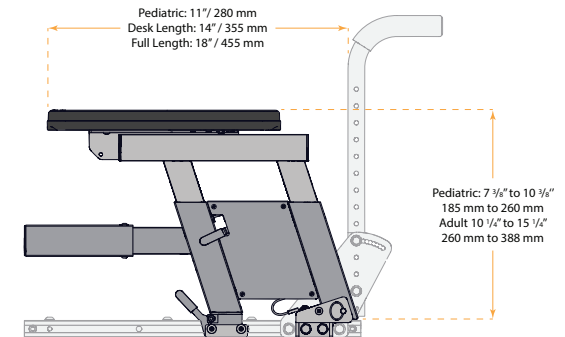
DUAL POST ARMREST - SECTION 2.3.2



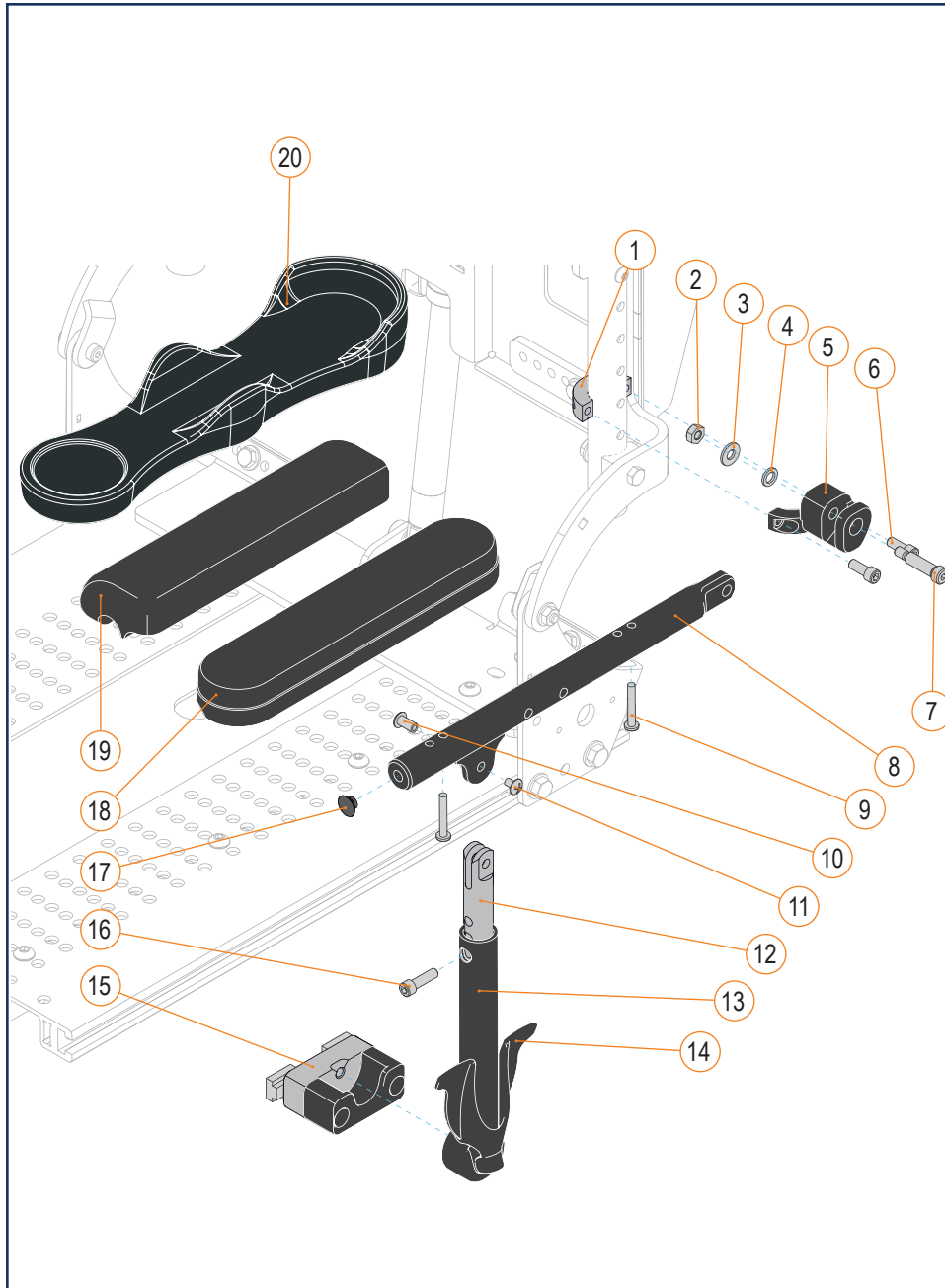
DUAL POST ARMREST ASSEMBLY			
ITEM #	PART #	DESCRIPTION	PRIOR TO
3A	C-91115	PEDIATRIC DUAL POST ARMREST UPPER ASM, LEFT HAND	2017-01-01
3B	C-91114	PEDIATRIC DUAL POST ARMREST UPPER ASM, RIGHT HAND	2017-01-01
3C	C-91102	DUAL POST ARMREST UPPER ASM, LEFT HAND, DESK LENGTH	2017-01-01
3D	C-91104	DUAL POST ARMREST UPPER ASM, RIGHT HAND, DESK LENGTH	2017-01-01
3E	C-91106	DUAL POST ARMREST UPPER ASM, LEFT HAND, FULL LENGTH	2017-01-01
3F	C-91107	DUAL POST ARMREST UPPER ASM, RIGHT HAND, FULL LENGTH	2017-01-01
5A	C-91109	DUALPOST ARM ASSY, RH, DESK, MODEL #3, FRAME ASSY	2013-12-20
5B	C-91108	DUALPOST ARM ASSY, LH, DESK, MODEL #3, FRAME ASSY	2013-12-20
15A	C-91116	PEDIATRIC DUAL POST ARMREST TRANSFER HANDLE	2017-01-01
15B	C-91103	ADULT DUAL POST ARMREST TRANSFER HANDLE, LEFT HAND	2017-01-01
15C	C-91105	ADULT DUAL POST ARMREST TRANSFER HANDLE, RIGHT HAND	2017-01-01
1A,4	S-0121	WATERFALL ARM PAD, DESK LENGTH	2017-01-01
1B,4	S-0122	WATERFALL ARM PAD, FULL LENGTH	2017-01-01
1C,4	S-0125	WATERFALL GEL FOAM ARM PAD, DESK LENGTH	2017-01-01
1D,4	S-0126	WATERFALL GEL FOAM ARM PAD, FULL LENGTH	2017-01-01
2A,4	S-0119	FLAT ARM PAD, DESK LENGTH	2017-01-01
2B,4	S-0120	FLAT ARM PAD, FULL LENGTH	2017-01-01
2C,4	S-0123	FLAT GEL FOAM ARM PAD, DESK LENGTH	2017-01-01
2D,4	S-0124	FLAT GEL FOAM ARM PAD, FULL LENGTH	2017-01-01
4,16	C-91126	KIT CHANNEL ARMREST ASSEMBLY	2013-01-14
6,7A,8-10	C-91135	DUAL POST FRONT LOWER RECEIVER KIT RH	2017-01-01
6,7B,8-10	C-91136	DUAL POST FRONT LOWER RECEIVER KIT LH	2017-01-01
11-14	S-0118	DUAL POST FRONT LOWER RECEIVER KIT	2017-01-01



DUAL POST ARMREST ASSEMBLY			
ITEM #	PART #	DESCRIPTION	EFFECTIVE
1A	S-0100	PEDIATRIC DUAL POST ARMREST UPPER ASM, LEFT HAND	2017-01-01
1B	S-0101	PEDIATRIC DUAL POST ARMREST UPPER ASM, RIGHT HAND	2017-01-01
1C	S-0102	ADULT DUAL POST ARMREST UPPER ASM, LEFT HAND	2017-01-01
1D	S-0103	ADULT DUAL POST ARMREST UPPER ASM, RIGHT HAND	2017-01-01
2A, 5	S-0104	PEDIATRIC DUAL POST ARMREST LOWER ASM, LEFT HAND	2017-01-01
2B, 5	S-0105	PEDIATRIC DUAL POST ARMREST LOWER ASM, RIGHT HAND	2017-01-01
2C, 5	S-0106	ADULT DUAL POST ARMREST LOWER ASM, LEFT HAND	2017-01-01
2D, 5	S-0107	ADULT DUAL POST ARMREST LOWER ASM, RIGHT HAND	2017-01-01
5	K00054	RECTANGULAR CAP, 25 MM x 45 MM	2017-01-01
6A	S-0108	PEDIATRIC ARM PAD INTERFACE BRACKET	2017-01-01
6B	S-0109	ARM PAD INTERFACE BRACKET, DESK LENGTH	2017-01-01
6C	S-0110	ARM PAD INTERFACE BRACKET, FULL LENGTH	2017-01-01
7A	S-0123	FLAT GEL FOAM ARM PAD, DESK LENGTH	2008-04-30
7B	S-0124	FLAT GEL FOAM ARM PAD, FULL LENGTH	2008-04-30
7C	S-0119	FLAT ARMPAD DESK LENGTH	2021-09-01
7D	S-0120	FLAT ARMPAD FULL LENGTH	2021-09-01
8A	S-0121	WATERFALL ARM PAD, DESK LENGTH	2008-04-30
8B	S-0122	WATERFALL ARM PAD, FULL LENGTH	2008-04-30
8C	S-0125	WATERFALL GEL FOAM ARM PAD, DESK LENGTH	2008-04-30
8D	S-0126	WATERFALL GEL FOAM ARM PAD, FULL LENGTH	2008-04-30
9	C-91126	KIT CHANNEL ARMREST ASSEMBLY	2013-01-14
3A,4A	S-0111	DUAL POST LOWER RECEIVER, LEFT HAND	2017-01-01
3B,4B	S-0112	DUAL POST LOWER RECEIVER, RIGHT HAND	2017-01-01
1A,2A,5,6C	1004142	DUAL POST ARMREST FULL - LH (7.25-10.25IN)	2022-09-06
1B,2B,5,6C	1004143	DUAL POST ARMREST FULL - RH (7.25-10.25IN)	2022-09-06
1A,2A,5,6A	1004144	DUAL POST ARMREST DESK - LH (7.25-10.25IN)	2022-09-06
1B,2B,5,6A	1004145	DUAL POST ARMREST DESK - RH (7.25-10.25IN)	2022-09-06
1C,2C,5,6C	1004146	DUAL POST ARMREST FULL - LH (10.25-15.25IN)	2022-09-06
1D,2D,5,6C	1004147	DUAL POST ARMREST FULL - RH (10.25-15.25IN)	2022-09-06
1C,2C,5,6B	1004148	DUAL POST ARMREST DESK - LH (10.25-15.25IN)	2022-09-06
1D,2D,5,6B	1004149	DUAL POST ARMREST DESK - RH (10.25-15.25IN)	2022-09-06

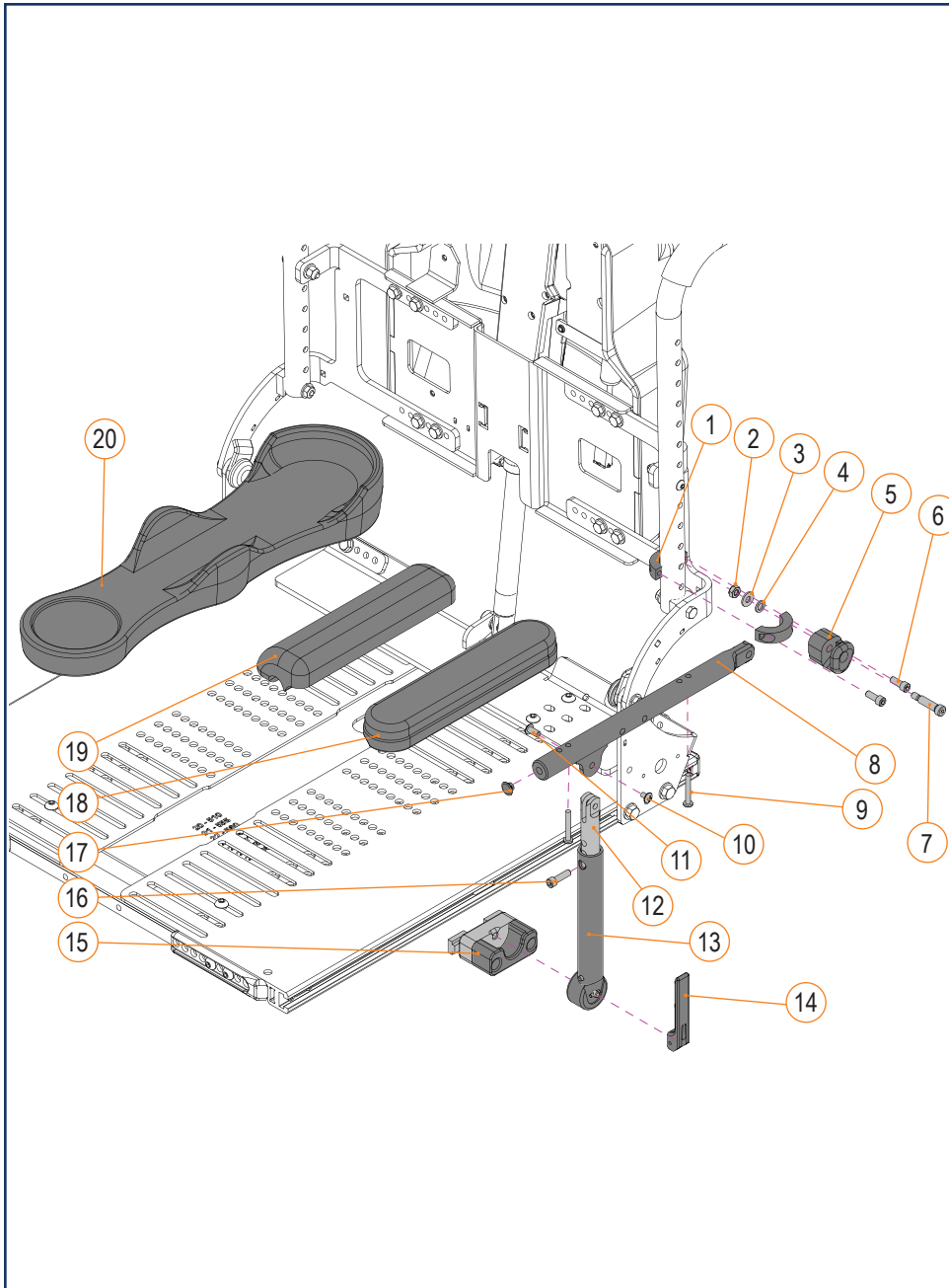


RECLINING BACK ARMREST - SECTION 2.3.3



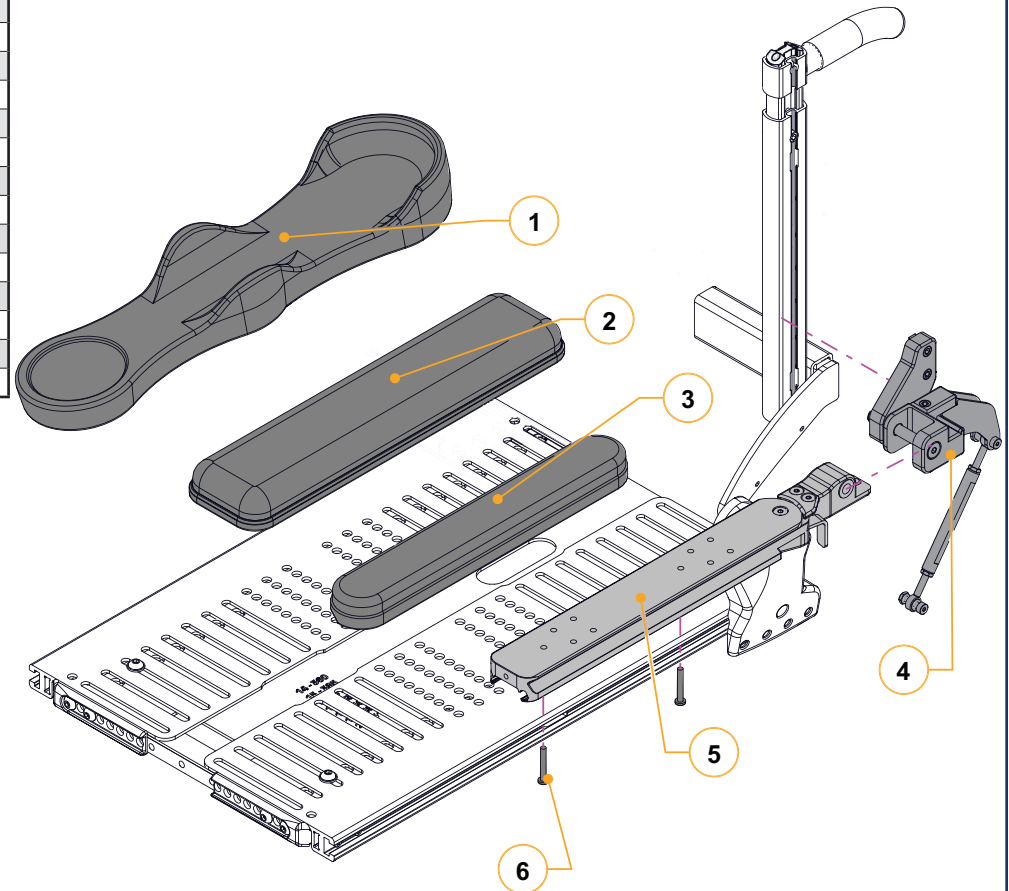
RECLINING ARMREST ASSEMBLY			
ITEM #	PART #	DESCRIPTION	EFFECTIVE
8A	A91118	RECLINING ARMREST TUBE, DESK LENGTH	2014-12-24
8B	A91114	RECLINING ARMREST TUBE, FULL LENGTH	2014-12-24
8C	48247-A01	RECLINING ARMREST TUBE, FULL LENGTH 18 IN	2021-03-01
8D	48247-A02	RECLINING ARMREST TUBE, FULL LENGTH 20 IN	2021-03-01
8E	48247-A03	RECLINING ARMREST TUBE, FULL LENGTH 22 IN	2021-03-01
13A,14	C-91145	RELEASE LEVER ASSEMBLY, LEFT HAND	2014-12-24
13B,14	C-91143	RELEASE LEVER ASSEMBLY, RIGHT HAND	2014-12-24
14	A91110	RELEASE HANDLE, RECLINING ARMREST	2014-12-24
9,18A	S-0119	FLAT ARM PAD, DESK LENGTH	2008-04-30
9,18B	S-0120	FLAT ARM PAD, FULL LENGTH	2008-04-30
9,18C	S-0123	FLAT GEL FOAM ARM PAD, DESK LENGTH	2008-04-30
9,18D	S-0124	FLAT GEL FOAM ARM PAD, FULL LENGTH	2008-04-30
9,19A	S-0121	WATERFALL ARM PAD, DESK LENGTH	2008-04-30
9,19B	S-0122	WATERFALL ARM PAD, FULL LENGTH	2008-04-30
9,19C	S-0125	WATERFALL GEL FOAM ARM PAD, DESK LENGTH	2008-04-30
9,19D	S-0126	WATERFALL GEL FOAM ARM PAD, FULL LENGTH	2008-04-30
9,20	C-91126	KIT CHANNEL ARMREST, ASSEMBLY	2013-01-14
15	C-91144	ARMREST RECEIVER, RECLINER ARMREST	2014-12-24
1-4, 5A, 6, 7, 8A, 10-12, 13A, 14, 16, 17	C-91142	RECLINING ARMREST ASSEMBLY, LEFT HAND, DESK LENGTH	2021-03-01
1-4, 5B, 6, 7, 8A, 10-12, 13B, 14, 16, 17	C-91141	RECLINING ARMREST ASSEMBLY, RIGHT HAND, DESK LENGTH	2021-03-01
1-4, 5A, 6, 7, 8B, 10-12, 13A, 14, 16, 17	C-91140	RECLINING ARMREST ASSEMBLY, LEFT HAND, FULL LENGTH	2021-03-01
1-4, 5B, 6, 7, 8B, 10-12, 13B, 14, 16, 17	C-91139	RECLINING ARMREST ASSEMBLY, RIGHT HAND, FULL LENGTH	2021-03-01
1-4, 5A, 6, 7, 8C, 10-12, 13A, 14, 16, 17	S-48247-18-L	KIT-LH RECLINING ARMREST ASS. FULL LENGTH 18 IN	2021-03-01
1-4, 5B, 6, 7, 8C, 10-12, 13B, 14, 16, 17	S-48247-18-R	KIT-RH RECLINING ARMREST ASS. FULL LENGTH 18 IN	2021-03-01
1-4, 5A, 6, 7, 8D, 10-12, 13A, 14, 16, 17	S-48247-20-L	KIT-LH RECLINING ARMREST ASS. FULL LENGTH 20 IN	2021-03-01
1-4, 5B, 6, 7, 8D, 10-12, 13B, 14, 16, 17	S-48247-20-R	KIT-RH RECLINING ARMREST ASS. FULL LENGTH 20 IN	2021-03-01
1-4, 5A, 6, 7, 8E, 10-12, 13A, 14, 16, 17	S-48247-22-L	KIT-LH RECLINING ARMREST ASS. FULL LENGTH 22 IN	2021-03-01
1-4, 5B, 6, 7, 8E, 10-12, 13B, 14, 16, 17	S-48247-22-R	KIT-RH RECLINING ARMREST ASS. FULL LENGTH 22 IN	2021-03-01

RECLINING BACK ARMREST - SECTION 2.3.3

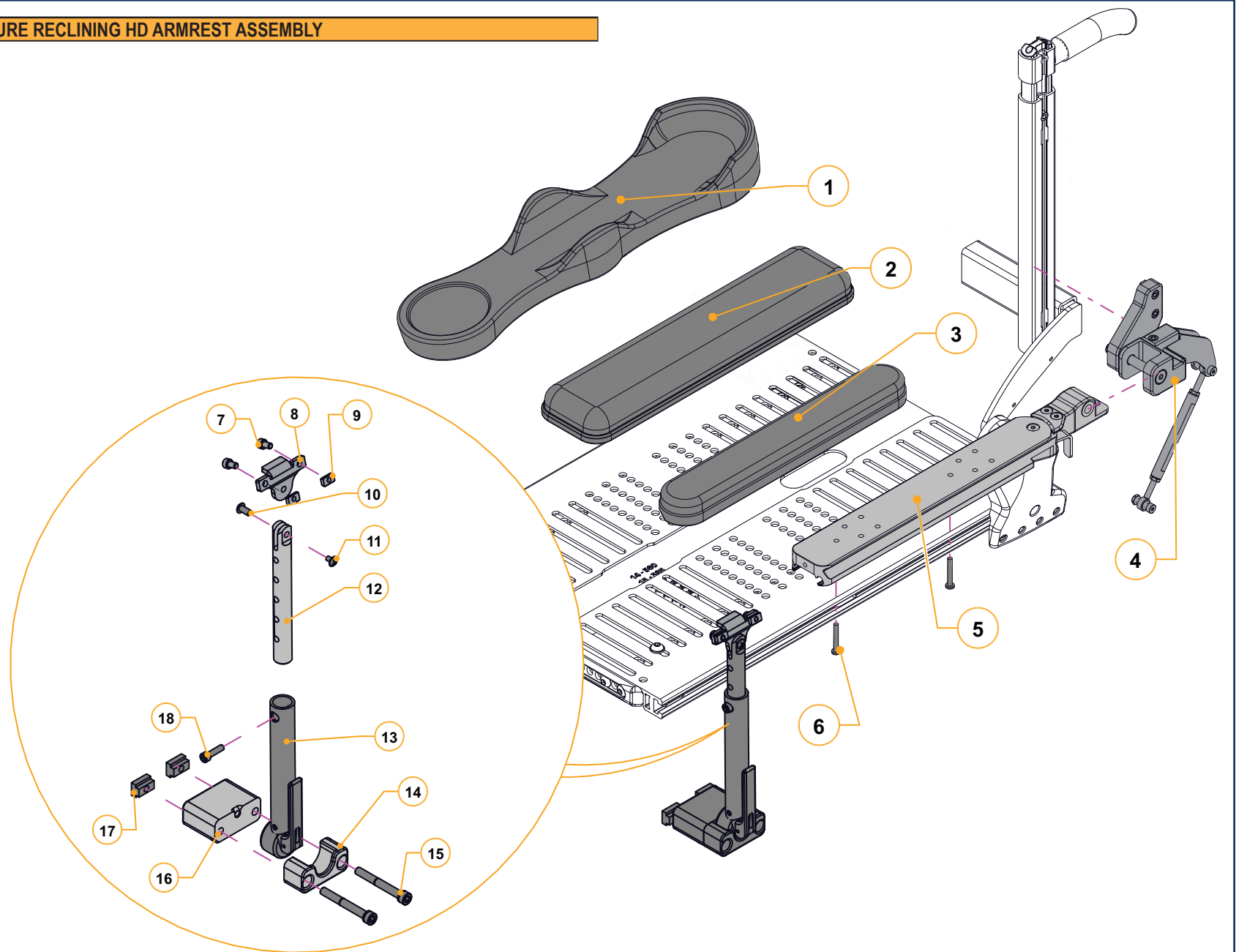


RECLINING ARMREST ASSEMBLY			
ITEM #	PART #	DESCRIPTION	EFFECTIVE
8A	A91118	RECLINING ARMREST TUBE, DESK LENGTH	2014-12-24
8B	A91114	RECLINING ARMREST TUBE, FULL LENGTH	2014-12-24
8C	48247-A01	RECLINING ARMREST TUBE, FULL LENGTH 18 IN	2021-03-01
8D	48247-A02	RECLINING ARMREST TUBE, FULL LENGTH 20 IN	2021-03-01
8E	48247-A03	RECLINING ARMREST TUBE, FULL LENGTH 22 IN	2021-03-01
13A,14	C-91145	RELEASE LEVER ASSEMBLY, LEFT HAND	2014-12-24
13B,14	C-91143	RELEASE LEVER ASSEMBLY, RIGHT HAND	2014-12-24
14	1005261	QUICK RELEASE ARM, RECLINE ARMREST (CUSTOM)	2025-04-01
9,18A	S-0119	FLAT ARM PAD, DESK LENGTH	2008-04-30
9,18B	S-0120	FLAT ARM PAD, FULL LENGTH	2008-04-30
9,18C	S-0123	FLAT GEL FOAM ARM PAD, DESK LENGTH	2008-04-30
9,18D	S-0124	FLAT GEL FOAM ARM PAD, FULL LENGTH	2008-04-30
9,19A	S-0121	WATERFALL ARM PAD, DESK LENGTH	2008-04-30
9,19B	S-0122	WATERFALL ARM PAD, FULL LENGTH	2008-04-30
9,19C	S-0125	WATERFALL GEL FOAM ARM PAD, DESK LENGTH	2008-04-30
9,19D	S-0126	WATERFALL GEL FOAM ARM PAD, FULL LENGTH	2008-04-30
9,20	C-91126	KIT CHANNEL ARMREST, ASSEMBLY	2013-01-14
15	C-91144	ARMREST RECEIVER, RECLINER ARMREST	2014-12-24
1-4, 5A, 6, 7, 8A, 10-12, 13A, 14, 16, 17	C-91142	RECLINING ARMREST ASSEMBLY, LEFT HAND, DESK LENGTH	2021-03-01
1-4, 5B, 6, 7, 8A, 10-12, 13B, 14, 16, 17	C-91141	RECLINING ARMREST ASSEMBLY, RIGHT HAND, DESK LENGTH	2021-03-01
1-4, 5A, 6, 7, 8B, 10-12, 13A, 14, 16, 17	C-91140	RECLINING ARMREST ASSEMBLY, LEFT HAND, FULL LENGTH	2021-03-01
1-4, 5B, 6, 7, 8B, 10-12, 13B, 14, 16, 17	C-91139	RECLINING ARMREST ASSEMBLY, RIGHT HAND, FULL LENGTH	2021-03-01
1-4, 5A, 6, 7, 8C, 10-12, 13A, 14, 16, 17	S-48247-18-L	KIT-LH RECLINING ARMREST ASS. FULL LENGTH 18 IN	2021-03-01
1-4, 5B, 6, 7, 8C, 10-12, 13B, 14, 16, 17	S-48247-18-R	KIT-RH RECLINING ARMREST ASS. FULL LENGTH 18 IN	2021-03-01
1-4, 5A, 6, 7, 8D, 10-12, 13A, 14, 16, 17	S-48247-20-L	KIT-LH RECLINING ARMREST ASS. FULL LENGTH 20 IN	2021-03-01
1-4, 5B, 6, 7, 8D, 10-12, 13B, 14, 16, 17	S-48247-20-R	KIT-RH RECLINING ARMREST ASS. FULL LENGTH 20 IN	2021-03-01
1-4, 5A, 6, 7, 8E, 10-12, 13A, 14, 16, 17	S-48247-22-L	KIT-LH RECLINING ARMREST ASS. FULL LENGTH 22 IN	2021-03-01
1-4, 5B, 6, 7, 8E, 10-12, 13B, 14, 16, 17	S-48247-22-R	KIT-RH RECLINING ARMREST ASS. FULL LENGTH 22 IN	2021-03-01

SIGNATURE RECLINING ARMREST ASSEMBLY			
ITEM #	PART #	DESCRIPTION	EFFECTIVE
1	C-91126	KIT CHANNEL ARMPAD, ASSY	2025-06-26
2A, 6	1005431	X-WIDE 3.5IN (90MM) FOAM ARMPAD, 10IN (255MM) LONG	2025-06-26
2B, 6	1005432	X-WIDE 3.5IN (90MM) GEL ARMPAD, 10IN (255MM) LONG	2025-06-26
2C, 6	1005433	X-WIDE 3.5IN (90MM) FOAM ARMPAD, 14IN (355MM) LONG	2025-06-26
2D, 6	1005434	X-WIDE 3.5IN (90MM) GEL ARMPAD, 14IN (355MM) LONG	2025-06-26
2E, 6	1005435	X-WIDE 3.5IN (90MM) FOAM ARMPAD, 16IN (405MM) LONG	2025-06-26
2F, 6	1005436	X-WIDE 3.5IN (90MM) GEL ARMPAD, 16IN (405MM) LONG	2025-06-26
3A, 6	S-0119	FLAT ARMPAD DESK LENGTH [K0019]	2025-06-26
3B, 6	S-0120	FLAT ARMPAD FULL LENGTH [K0019]	2025-06-26
3C, 6	S-0123	FLAT GEL FOAM ARM PAD, DESK LENGTH [K0019]	2025-06-26
3D, 6	S-0124	FLAT GEL FOAM ARM PAD, FULL LENGTH [K0019]	2025-06-26
4A	1003631-L	KIT, MOUNT, TNBK, ENDO, RECL., 10.25-13.25 IN, LH	2025-06-26
4B	1003631-R	KIT, MOUNT, TNBK, ENDO, RECL., 10.25-13.25 IN, RH	2025-06-26
4C	1003633-L	KIT, MOUNT, TNBK, ENDO, RECL., 14.25-16.25 IN, LH	2025-06-26
4D	1003633-R	KIT, MOUNT, TNBK, ENDO, RECL., 14.25-16.25 IN, RH	2025-06-26
5A	1003623	KIT, CANTILEVER ARMREST EXTRUSION, 12IN (305MM),RH	2025-06-26
5B	1003624	KIT, CANTILEVER ARMREST EXTRUSION, 12IN (305MM),LH	2025-06-26
5C	1003625	KIT, CANTILEVER ARMREST EXTRUSION, 16IN (405MM),RH	2025-06-26
5D	1003626	KIT, CANTILEVER ARMREST EXTRUSION, 16IN (405MM),LH	2025-06-26
5E	1003629	KIT, CANTILEVER ARMREST EXTRUSION, 18IN (455MM),RH	2025-06-26
5F	1003630	KIT, CANTILEVER ARMREST EXTRUSION, 18IN (455MM),LH	2025-06-26
5G	1005360	KIT, CANTILEVER ARMREST EXTRUSION, 20IN (505MM),RH	2025-06-26
5H	1005365	KIT, CANTILEVER ARMREST EXTRUSION, 20IN (505MM),LH	2025-06-26
5I	1005361	KIT, CANTILEVER ARMREST EXTRUSION, 22IN (560MM),RH	2025-06-26
5J	1005364	KIT, CANTILEVER ARMREST EXTRUSION, 22IN (560MM),LH	2025-06-26

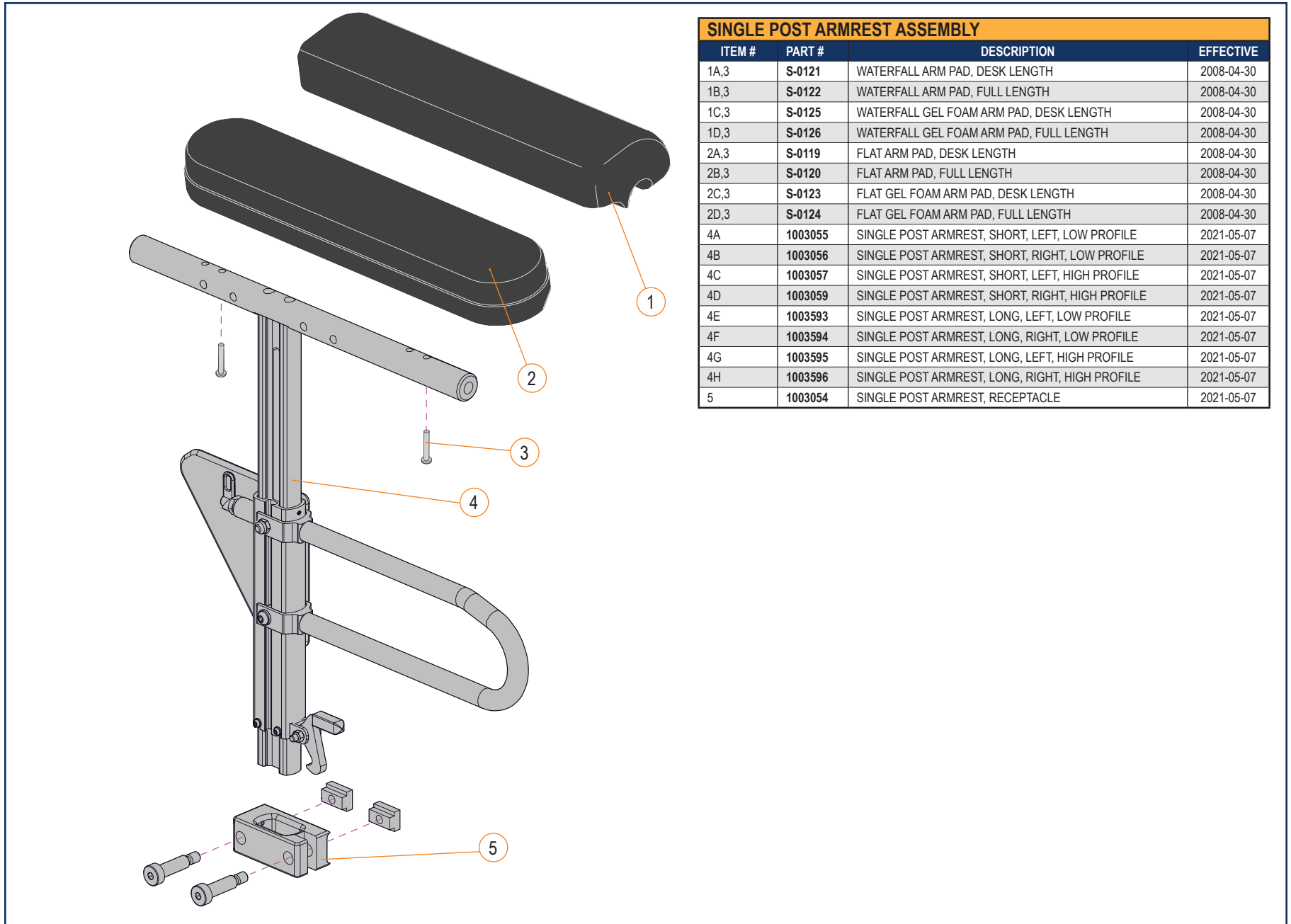


**SIGNATURE RECLINING HD ARMREST ASSEMBLY**



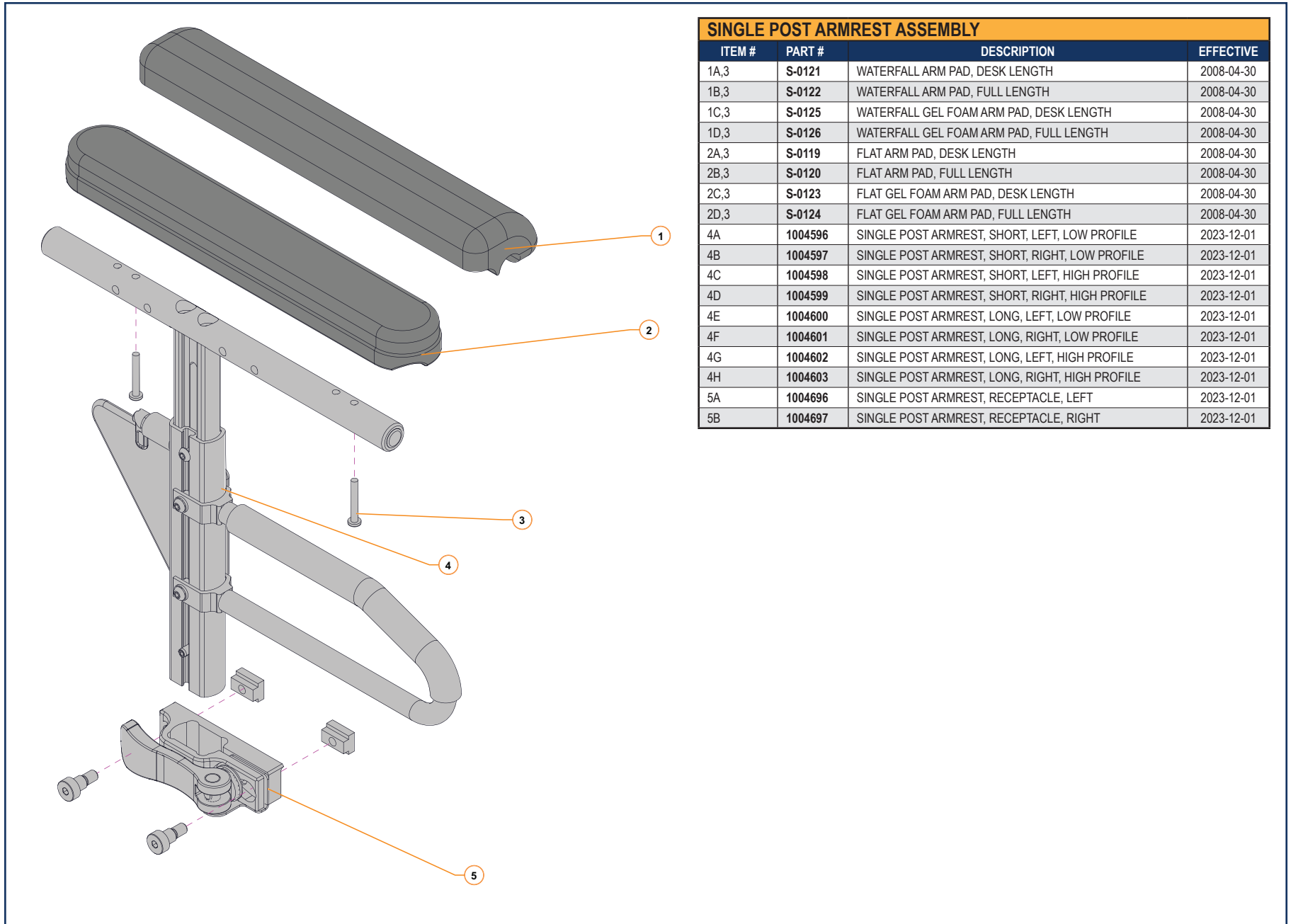
SIGNATURE RECLINING HD ARMREST ASSEMBLY							
ITEM #	PART #	DESCRIPTION	EFFECTIVE	ITEM #	PART #	DESCRIPTION	EFFECTIVE
1	C-91126	KIT CHANNEL ARMPAD, ASSY	2025-06-26	4B, 5A, 7-11, 12A, 13A,14,15A, 16A, 17-18	1005512	KIT, RECL ARMST, VERT. POST, DESK,12IN (305MM),RH	2025-06-26
2A, 6	1005431	X-WIDE 3.5IN (90MM) FOAM ARMPAD, 10IN (255MM) LONG	2025-06-26	4A, 5B, 7-11, 12A, 13B,14,15A, 16A, 17-18	1005513	KIT, RECL ARMST, VERT. POST, DESK,12IN (305MM),LH	2025-06-26
2B, 6	1005432	X-WIDE 3.5IN (90MM) GEL ARMPAD, 10IN (255MM) LONG	2025-06-26	4B, 5C, 7-11, 12A, 13A,14,15A, 16A, 17-18	1005514	KIT, RECL ARMST, VERT. POST, FULL,16IN (405MM),RH	2025-06-26
2C, 6	1005433	X-WIDE 3.5IN (90MM) FOAM ARMPAD, 14IN (355MM) LONG	2025-06-26	4A, 5D, 7-11, 12A, 13B,14,15A, 16A, 17-18	1005515	KIT, RECL ARMST, VERT. POST, FULL,16IN (405MM),LH	2025-06-26
2D, 6	1005434	X-WIDE 3.5IN (90MM) GEL ARMPAD, 14IN (355MM) LONG	2025-06-26	4B, 5E, 7-11, 12A, 13A,14,15A, 16A, 17-18	1005516	KIT, RECL ARMST, VERT. POST, EXT.,18IN (455MM),RH	2025-06-26
2E, 6	1005435	X-WIDE 3.5IN (90MM) FOAM ARMPAD, 16IN (405MM) LONG	2025-06-26	4A, 5F, 7-11, 12A, 13B,14,15A, 16A, 17-18	1005517	KIT, RECL ARMST, VERT. POST, EXT.,18IN (455MM),LH	2025-06-26
2F, 6	1005436	X-WIDE 3.5IN (90MM) GEL ARMPAD, 16IN (405MM) LONG	2025-06-26	4B, 5G, 7-11, 12A, 13A,14,15A, 16A, 17-18	1005518	KIT, RECL ARMST, VERT. POST, EXT.,20IN (505MM),RH	2025-06-26
3A, 6	S-0119	FLAT ARMPAD DESK LENGTH [K0019]	2025-06-26	4A, 5H, 7-11, 12A, 13B,14,15A, 16A, 17-18	1005519	KIT, RECL ARMST, VERT. POST, EXT.,20IN (505MM),LH	2025-06-26
3B, 6	S-0120	FLAT ARMPAD FULL LENGTH [K0019]	2025-06-26	4B, 5I, 7-11, 12A, 13A,14,15A, 16A, 17-18	1005520	KIT, RECL ARMST, VERT. POST, EXT.,22IN (560MM),RH	2025-06-26
3C, 6	S-0123	FLAT GEL FOAM ARM PAD, DESK LENGTH [K0019]	2025-06-26	4A, 5J, 7-11, 12A, 13B,14,15A, 16A, 17-18	1005521	KIT, RECL ARMST, VERT. POST, EXT.,22IN (560MM),LH	2025-06-26
3D, 6	S-0124	FLAT GEL FOAM ARM PAD, FULL LENGTH [K0019]	2025-06-26	4B, 5A, 7-11, 12B, 13A,14,15A, 16A, 17-18	1005522	KIT, RECL ARMST, VERT. POST, DESK,12IN (305MM),RH	2025-06-26
4A	1003631-L	KIT, MOUNT, TNBK, ENDO, RECL., 10.25-13.25 IN, LH	2025-06-26	4A, 5B, 7-11, 12B, 13B,14,15A, 16A, 17-18	1005523	KIT, RECL ARMST, VERT. POST, DESK,12IN (305MM),LH	2025-06-26
4B	1003631-R	KIT, MOUNT, TNBK, ENDO, RECL., 10.25-13.25 IN, RH	2025-06-26	4B, 5C, 7-11, 12B, 13A,14,15A, 16A, 17-18	1005524	KIT, RECL ARMST, VERT. POST, FULL,16IN (405MM),RH	2025-06-26
4C	1003633-L	KIT, MOUNT, TNBK, ENDO, RECL., 14.25-16.25 IN, LH	2025-06-26	4A, 5D, 7-11, 12B, 13B,14,15A, 16A, 17-18	1005525	KIT, RECL ARMST, VERT. POST, FULL,16IN (405MM),LH	2025-06-26
4D	1003633-R	KIT, MOUNT, TNBK, ENDO, RECL., 14.25-16.25 IN, RH	2025-06-26	4B, 5E, 7-11, 12B, 13A,14,15A, 16A, 17-18	1005526	KIT, RECL ARMST, VERT. POST, EXT.,18IN (455MM),RH	2025-06-26
5A	1003623	KIT, CANTILEVER ARMREST EXTRUSION, 12IN (305MM),RH	2025-06-26	4A, 5F, 7-11, 12B, 13B,14,15A, 16A, 17-18	1005527	KIT, RECL ARMST, VERT. POST, EXT.,18IN (455MM),LH	2025-06-26
5B	1003624	KIT, CANTILEVER ARMREST EXTRUSION, 12IN (305MM),LH	2025-06-26	4B, 5G, 7-11, 12B, 13A,14,15A, 16A, 17-18	1005528	KIT, RECL ARMST, VERT. POST, EXT.,20IN (505MM),RH	2025-06-26
5C	1003625	KIT, CANTILEVER ARMREST EXTRUSION, 16IN (405MM),RH	2025-06-26	4A, 5H, 7-11, 12B, 13B,14,15A, 16A, 17-18	1005529	KIT, RECL ARMST, VERT. POST, EXT.,20IN (505MM),LH	2025-06-26
5D	1003626	KIT, CANTILEVER ARMREST EXTRUSION, 16IN (405MM),LH	2025-06-26	4B, 5I, 7-11, 12B, 13A,14,15A, 16A, 17-18	1005530	KIT, RECL ARMST, VERT. POST, EXT.,22IN (560MM),RH	2025-06-26
5E	1003629	KIT, CANTILEVER ARMREST EXTRUSION, 18IN (455MM),RH	2025-06-26	4A, 5J, 7-11, 12B, 13B,14,15A, 16A, 17-18	1005531	KIT, RECL ARMST, VERT. POST, EXT.,22IN (560MM),LH	2025-06-26
5F	1003630	KIT, CANTILEVER ARMREST EXTRUSION, 18IN (455MM),LH	2025-06-26	14, 15A, 16A	1005636	KIT, SEAT MNT, RECL ARMST, VERT POST, ENDO 0", PR	2025-06-26
5G	1005360	KIT, CANTILEVER ARMREST EXTRUSION, 20IN (505MM),RH	2025-06-26	14, 15B, 16B	1005637	KIT, SEAT MNT, RECL ARMST, VERT POST, ENDO 1", PR	2025-06-26
5H	1005365	KIT, CANTILEVER ARMREST EXTRUSION, 20IN (505MM),LH	2025-06-26	14, 15C, 16C	1005638	KIT, SEAT MNT, RECL ARMST, VERT POST, ENDO 2", PR	2025-06-26
5I	1005361	KIT, CANTILEVER ARMREST EXTRUSION, 22IN (560MM),RH	2025-06-26				
5J	1005364	KIT, CANTILEVER ARMREST EXTRUSION, 22IN (560MM),LH	2025-06-26				

## SINGLE POST ARMREST - SECTION 2.3.4



SINGLE POST ARMREST ASSEMBLY			
ITEM #	PART #	DESCRIPTION	EFFECTIVE
1A,3	S-0121	WATERFALL ARM PAD, DESK LENGTH	2008-04-30
1B,3	S-0122	WATERFALL ARM PAD, FULL LENGTH	2008-04-30
1C,3	S-0125	WATERFALL GEL FOAM ARM PAD, DESK LENGTH	2008-04-30
1D,3	S-0126	WATERFALL GEL FOAM ARM PAD, FULL LENGTH	2008-04-30
2A,3	S-0119	FLAT ARM PAD, DESK LENGTH	2008-04-30
2B,3	S-0120	FLAT ARM PAD, FULL LENGTH	2008-04-30
2C,3	S-0123	FLAT GEL FOAM ARM PAD, DESK LENGTH	2008-04-30
2D,3	S-0124	FLAT GEL FOAM ARM PAD, FULL LENGTH	2008-04-30
4A	1003055	SINGLE POST ARMREST, SHORT, LEFT, LOW PROFILE	2021-05-07
4B	1003056	SINGLE POST ARMREST, SHORT, RIGHT, LOW PROFILE	2021-05-07
4C	1003057	SINGLE POST ARMREST, SHORT, LEFT, HIGH PROFILE	2021-05-07
4D	1003059	SINGLE POST ARMREST, SHORT, RIGHT, HIGH PROFILE	2021-05-07
4E	1003593	SINGLE POST ARMREST, LONG, LEFT, LOW PROFILE	2021-05-07
4F	1003594	SINGLE POST ARMREST, LONG, RIGHT, LOW PROFILE	2021-05-07
4G	1003595	SINGLE POST ARMREST, LONG, LEFT, HIGH PROFILE	2021-05-07
4H	1003596	SINGLE POST ARMREST, LONG, RIGHT, HIGH PROFILE	2021-05-07
5	1003054	SINGLE POST ARMREST, RECEPTACLE	2021-05-07

SINGLE POST ARMREST - SECTION 2.3.4



SINGLE POST ARMREST ASSEMBLY			
ITEM #	PART #	DESCRIPTION	EFFECTIVE
1A,3	S-0121	WATERFALL ARM PAD, DESK LENGTH	2008-04-30
1B,3	S-0122	WATERFALL ARM PAD, FULL LENGTH	2008-04-30
1C,3	S-0125	WATERFALL GEL FOAM ARM PAD, DESK LENGTH	2008-04-30
1D,3	S-0126	WATERFALL GEL FOAM ARM PAD, FULL LENGTH	2008-04-30
2A,3	S-0119	FLAT ARM PAD, DESK LENGTH	2008-04-30
2B,3	S-0120	FLAT ARM PAD, FULL LENGTH	2008-04-30
2C,3	S-0123	FLAT GEL FOAM ARM PAD, DESK LENGTH	2008-04-30
2D,3	S-0124	FLAT GEL FOAM ARM PAD, FULL LENGTH	2008-04-30
4A	1004596	SINGLE POST ARMREST, SHORT, LEFT, LOW PROFILE	2023-12-01
4B	1004597	SINGLE POST ARMREST, SHORT, RIGHT, LOW PROFILE	2023-12-01
4C	1004598	SINGLE POST ARMREST, SHORT, LEFT, HIGH PROFILE	2023-12-01
4D	1004599	SINGLE POST ARMREST, SHORT, RIGHT, HIGH PROFILE	2023-12-01
4E	1004600	SINGLE POST ARMREST, LONG, LEFT, LOW PROFILE	2023-12-01
4F	1004601	SINGLE POST ARMREST, LONG, RIGHT, LOW PROFILE	2023-12-01
4G	1004602	SINGLE POST ARMREST, LONG, LEFT, HIGH PROFILE	2023-12-01
4H	1004603	SINGLE POST ARMREST, LONG, RIGHT, HIGH PROFILE	2023-12-01
5A	1004696	SINGLE POST ARMREST, RECEPTACLE, LEFT	2023-12-01
5B	1004697	SINGLE POST ARMREST, RECEPTACLE, RIGHT	2023-12-01

90° FIXED CENTER MOUNT FOOT BOARD			
ITEM #	PART #	DESCRIPTION	PRIOR TO
1	1001061	PROTECTIVE END-CAP, SEAT RAIL	2022-03-14
2	A3260	ADJUSTABLE TOP MOUNT	2015-03-05
3A	C-92191	S SPLIT FOOTPLATE 280 MM (11IN) W X 205 MM (8IN) D	2015-03-05
3B	C-92192	M SPLIT FOOTPLATE 330 MM (13IN) W X 205 MM (8IN) D	2015-03-05
4A	H00112	CALF PAD, SMALL, 130 MM X 155 MM (5 IN X 6 IN)	2015-03-05
4B	H00111	CALF PAD, MEDIUM, 155 MM X 180 MM (6 IN X 7 IN)	2015-03-05
4C	H00113	CALF PAD, LARGE, 205 MM X 180 MM (8 IN X 7 IN)	2015-03-05
4D	H00114	CALF PAD, EXTRA LARGE, 155 MM X 180 MM (10 IN X 8 IN)	2015-03-05
5A	C-9228	FOOTBOARD, SMALL, 305 MM FRONT WIDE X 255 MM DEPTH (12 IN X 10 IN)	2015-03-05
5B	C-92176	FOOTBOARD, MEDIUM, 330 MM FRONT WIDE X 255 MM DEPTH (13 IN X 10 IN)	2015-03-05
5C	C-92154	FOOTBOARD, LARGE, 380 MM FRONT WIDE X 255 MM DEPTH (15 IN X 10 IN)	2015-03-05
6A	A9283	FIXED CENTER MOUNT LOWER TUBE, 193 MM TO 318 MM (7.5 IN-12.5 IN) LENGTH	2015-03-05
6B	A9287	FIXED CENTER MOUNT LOWER TUBE, 318 MM TO 420 MM (12.5 IN-16.5 IN) LENGTH	2015-03-05
6C	A9288	FIXED CENTER MOUNT LOWER TUBE, 420 MM TO 520 MM (16.5 IN-20.5 IN) LENGTH	2015-03-05
7A	A9284	FIXED CENTER MOUNT UPPER TUBE, 318 MM TO 420 MM (12.5 IN-16.5 IN) LENGTH	2015-03-05
7B	A9285	FIXED CENTER MOUNT UPPER TUBE, 420 MM TO 520 MM (16.5 IN-20.5 IN) LENGTH	2015-03-05
4A, 8	C-92136	CALF PAD ASSEMBLY, 280 MM TO 510 MM (11 IN-20 IN) WIDE	2018-12-10
4B, 8	C-92143	CALF PAD ASSEMBLY, 535 MM TO 610 MM (21 IN-24 IN) WIDE	2018-12-10
4C, 8	C-92144	CALF PAD ASSEMBLY, 610 MM TO 710 MM (24 IN-28 IN) WIDE	2018-12-10

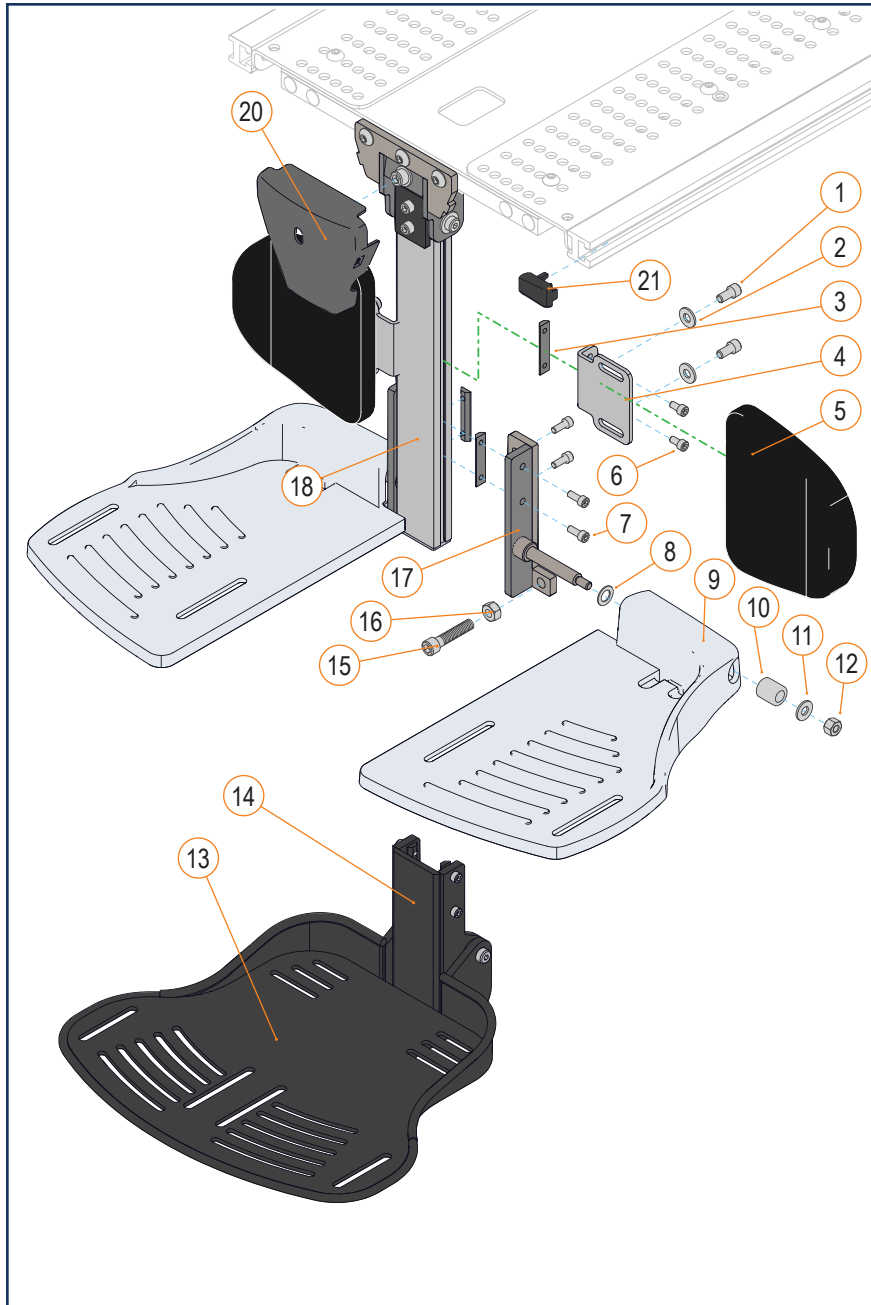
  

	A	B
S	12 in / 305 mm	10 in / 254 mm
M	13 in / 330 mm	10 in / 254 mm
L	15 in / 381 mm	10 in / 254 mm

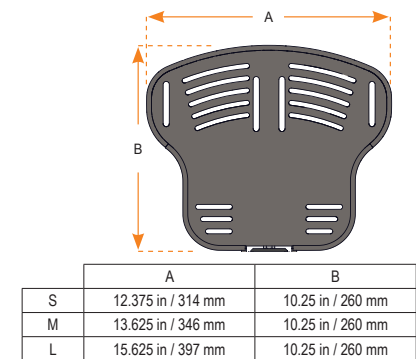
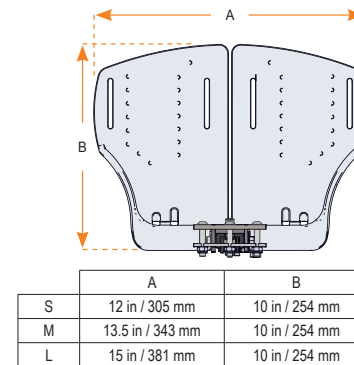
  

	A	B
S	11 in / 280 mm	8 in / 203 mm
M	13 in / 330 mm	8 in / 203 mm

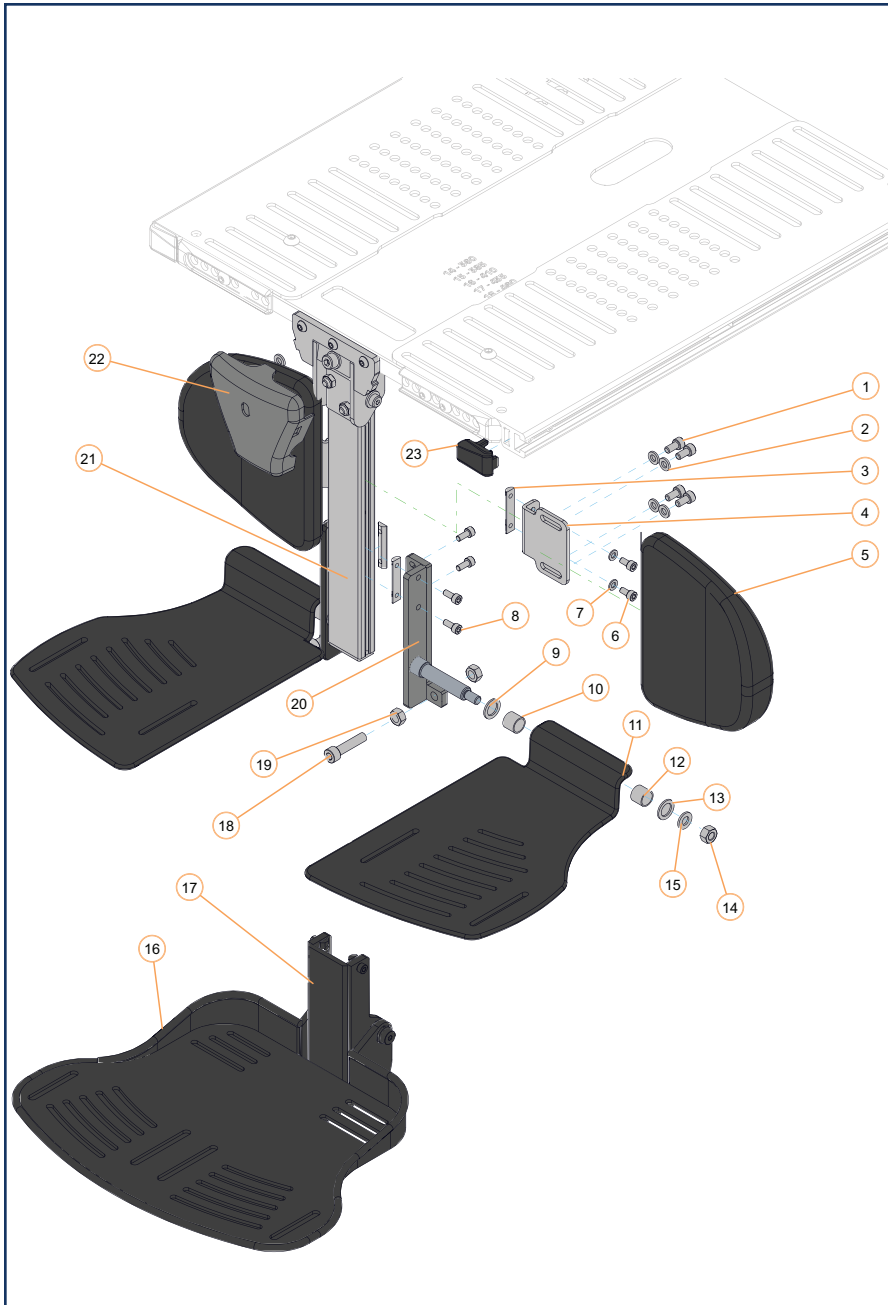
FIXED CENTER MOUNT FOOTBOARD - SECTION 2.4.1



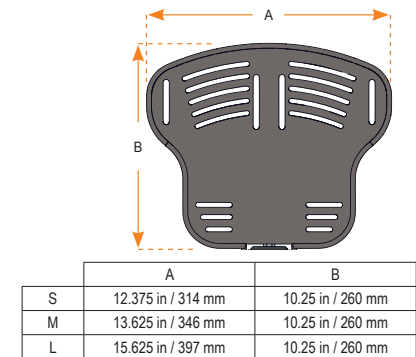
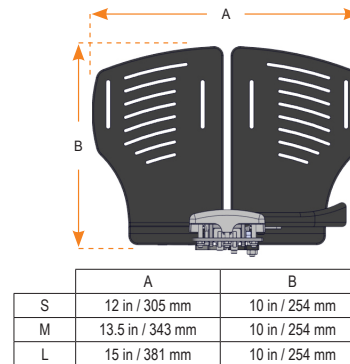
90° FIXED CENTER MOUNT FOOTBOARD			
ITEM #	PART #	DESCRIPTION	EFFECTIVE
5A	H00112	CALF PAD, SMALL, 130 MM X 155 MM (5 IN X 6 IN)	2015-04-13
5B	H00111	CALF PAD, MEDIUM, 155 MM X 180 MM (6 IN X 7 IN)	2015-04-13
5C	H00113	CALF PAD, LARGE, 205 MM X 180 MM (8 IN X 7 IN)	2015-04-13
5D	H00114	CALF PAD, EXTRA LARGE, 155 MM X 180 MM (10 IN X 8 IN)	2015-04-13
9A	A92214	CENTER MOUNT SPLIT FOOTPLATE, SMALL, LEFT HAND	2015-03-05
9B	A92213	CENTER MOUNT SPLIT FOOTPLATE, SMALL, RIGHT HAND	2015-03-05
9C	A92212	CENTER MOUNT SPLIT FOOTPLATE, MEDIUM, LEFT HAND	2015-03-05
9D	A92211	CENTER MOUNT SPLIT FOOTPLATE, MEDIUM, RIGHT HAND	2015-03-05
9E	A92209	CENTER MOUNT SPLIT FOOTPLATE, LARGE, LEFT HAND	2015-03-05
9F	A92208	CENTER MOUNT SPLIT FOOTPLATE, LARGE, RIGHT HAND,	2015-03-05
13A	S-0147	SMALL CENTER MOUNT FIXED FOOTBOARD	2018-12-19
13B	S-0148	MEDIUM CENTER MOUNT FIXED FOOTBOARD	2018-12-19
13C	S-0149	LARGE CENTER MOUNT FIXED FOOTBOARD	2018-12-19
14	S-0085	CENTER MOUNT FIXED FOOTBOARD MOUNTING HARDWARE KIT	2017-03-01
1-4, 6	S-0084	CALF PAD BRACKET ASSEMBLY	2015-04-13
7, 8, 10A, 11, 12, 15, 16, 17A	S-0080	CENTER MOUNT FOOTPLATE KIT, SMALL, LEFT HAND, ANGLE ADJUSTABLE	2015-03-05
7, 8, 10A, 11, 12, 15, 16, 17B	S-0082	CENTER MOUNT FOOTPLATE KIT, SMALL, RIGHT HAND, ANGLE ADJUSTABLE	2015-03-05
7, 8, 10B, 11, 12, 15, 16, 17A	S-0081	CENTER MOUNT FOOTPLATE KIT, MEDIUM-LARGE, LEFT HAND, ANGLE ADJUSTABLE	2015-03-05
7, 8, 10B, 11, 12, 15, 16, 17B	S-0083	CENTER MOUNT FOOTPLATE KIT, MEDIUM-LARGE, RIGHT HAND, ANGLE ADJUSTABLE	2015-03-05
18A, 20	S-0086	FIXED CENTER MOUNT FOOTBOARD, 193 MM TO 318 MM (7.5 IN-12.5 IN) LENGTH	2015-03-05
18B, 20	S-0087	FIXED CENTER MOUNT FOOTBOARD, 318 MM TO 420 MM (12.5 IN-16.5 IN) LENGTH	2015-03-05
18C, 20	S-0088	FIXED CENTER MOUNT FOOTBOARD, 420 MM TO 495 MM (16.5 IN-19.5 IN) LENGTH	2015-03-05
20	A92222	COVER, CENTRAL LEGREST	2024-08-19
21	1001061	PROTECTIVE END-CAP, SEAT RAIL	2022-03-14



FIXED CENTER MOUNT FOOTBOARD - SECTION 2.4.1



90° FIXED CENTER MOUNT FOOTBOARD			
ITEM #	PART #	DESCRIPTION	EFFECTIVE
1,2,5A	H00112	CALF PAD, S, 130MM X 155MM (5IN X 6IN)	2015-04-13
1,2,5B	H00111	CALF PAD, M, 155MM X 180MM (6IN X 7IN)	2015-04-13
1,2,5C	H00113	CALF PAD, L, 205MM X 180MM (8IN X 7IN)	2015-04-13
1,2,5D	H00114	CALF PAD, EXTRA-L, 155X180MM (10IN X 8IN)	2015-04-13
11A	1004335	FOOTPLATE ASSEMBLY, SMALL, RH	2024-08-20
11B	1004336	FOOTPLATE ASSEMBLY, SMALL, LH	2024-08-20
11C	1004337	FOOTPLATE ASSEMBLY, MEDIUM, RH	2024-08-20
11D	1004338	FOOTPLATE ASSEMBLY, MEDIUM, LH	2024-08-20
11E	1004339	FOOTPLATE ASSEMBLY, LARGE, RH	2024-08-20
11F	1004340	FOOTPLATE ASSEMBLY, LARGE, LH	2024-08-20
16A	S-0147	SMALL CENTER MOUNT FIXED FOOTBOARD	2024-08-20
16B	S-0148	MEDIUM CENTER MOUNT FIXED FOOTBOARD	2024-08-20
16C	S-0149	LARGE CENTER MOUNT FIXED FOOTBOARD	2024-08-20
17	S-0085	CENTER MOUNT FIXED FOOTPLATE MOUNTING HARDWARE KIT	2024-08-20
3,4,6,7	S-0084	CALF PAD BRACKET ASSEMBLY	2015-04-13
8,9,10,12,13,14,15,18,19,20A	1004517	KIT, HEIGHT & ANGLE ADJ. BKT, CTR MNT FTPLATE, LH	2024-08-20
8,9,10,12,13,14,15,18,19,20B	1004518	KIT, HEIGHT & ANGLE ADJ. BKT, CTR MNT FTPLATE, RH	2024-08-20
21A, 22	S-0086	FIXED CTR MNT FOOTBOARD 216 TO 318MM (8.5-12.5IN)	2015-03-05
21B, 22	S-0087	SUPPORT CENTRALE FIXE A 90°, LONGUEUR 318MM (12.5IN) A 420MM (16.5IN)	2015-03-05
21C, 22	S-0088	FIXED CTR MNT FOOTBOARD 420 TO 495MM (16.5-19.5IN)	2015-03-05
22	A922z22	COVER, CENTRAL LEGREST	2018-09-17
23	1001061	PROTECTIVE END-CAP, SEAT RAIL	2015-03-05



POWER CENTER MOUNT - SECTION 2.4.2

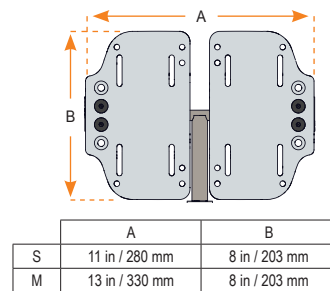
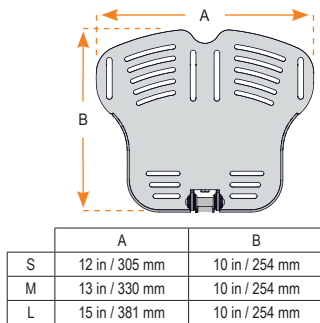
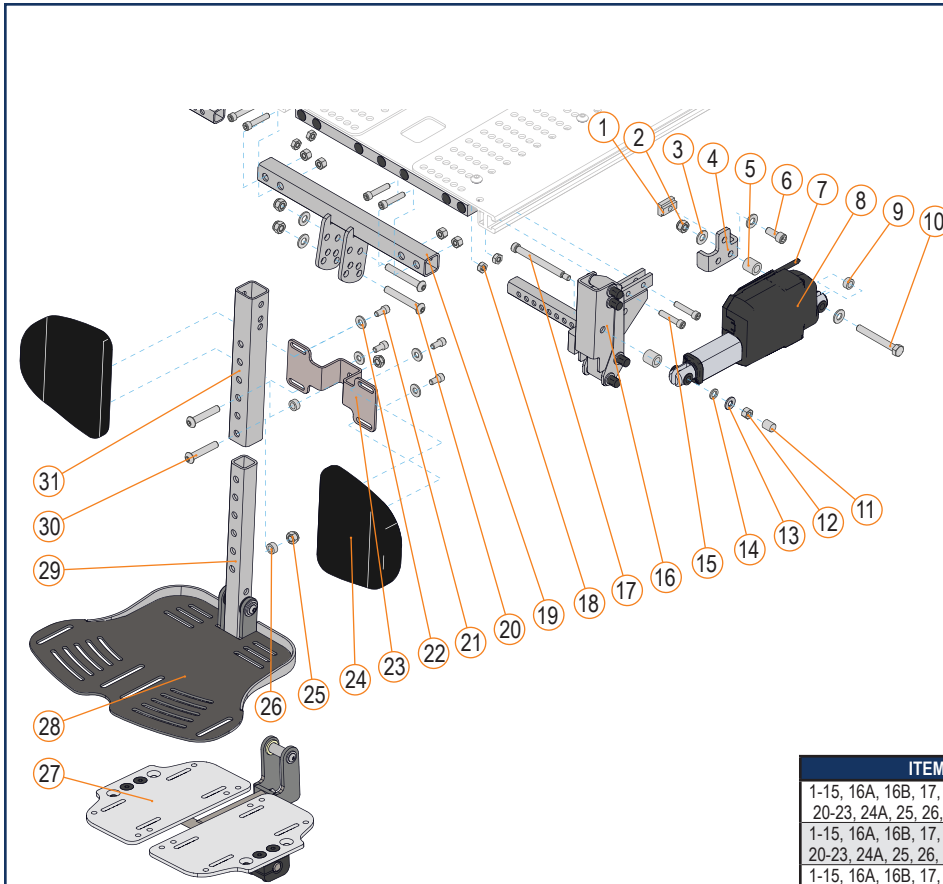
POWER ELEVATING CENTRE MOUNT FOOTBOARD			
ITEM #	PART #	DESCRIPTION	Prior to
7	1001061	PROTECTIVE END-CAP, SEAT RAIL	2022-03-14
15A	H00112	CALF PAD, SMALL, 130 MM X 155 MM (5 IN X 6 IN)	2018-12-10
15B	H00111	CALF PAD, MEDIUM, 155 MM X 180 MM (6 IN X 7 IN)	2018-12-10
15C	H00113	CALF PAD, LARGE, 205 MM X 180 MM (8 IN X 7 IN)	2018-12-10
15D	H00114	CALF PAD, EXTRA LARGE, 155 MM X 180 MM (10 IN X 8 IN)	2018-12-10
22A	C-9228	FOOTBOARD, SMALL, 305 MM FRONT WIDE X 255 MM DEPTH (12 IN X 10 IN)	2018-12-10
22B	C-92176	FOOTBOARD, MEDIUM, 330 MM FRONT WIDE X 255 MM DEPTH (13 IN X 10 IN)	2018-12-10
22C	C-92154	FOOTBOARD, LARGE, 380 MM FRONT WIDE X 255 MM DEPTH (15 IN X 10 IN)	2018-12-10
223A	C-92191	SPLIT FOOTPLATE, SMALL, 305 MM WIDE X 255 MM DEPTH (12 IN X 10 IN)	2018-12-10
23B	C-92192	SPLIT FOOTPLATE, LARGE, 380 MM WIDE X 255 MM DEPTH (15 IN X 10 IN)	2018-12-10
5B,6	R00046	ACTUATOR, STROKE 115 MM 1500N	2018-12-10
1-4,5B,6,8-14,15A,16A,16B,17A,18-21	S-0145	POWER FOOTBOARD 450 LB FOR STANDER	2018-12-10
17A,18,17,20-21	S-0143	POWER ELEVATING CENTRE MOUNT ADJUSTABLE RANGE 265 MM-405 MM (10.5 IN-16 IN)	2018-12-10
17B,18,19	S-0144	POWER ELEVATING CENTRE MOUNT ADJUSTABLE RANGE 420 MM-520 MM (16.5 IN-20.5 IN)	2018-12-10

	A	B
S	12 in / 305 mm	10 in / 254 mm
M	13 in / 330 mm	10 in / 254 mm
L	15 in / 381 mm	10 in / 254 mm

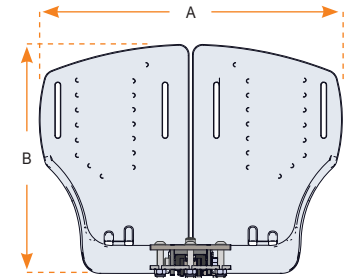
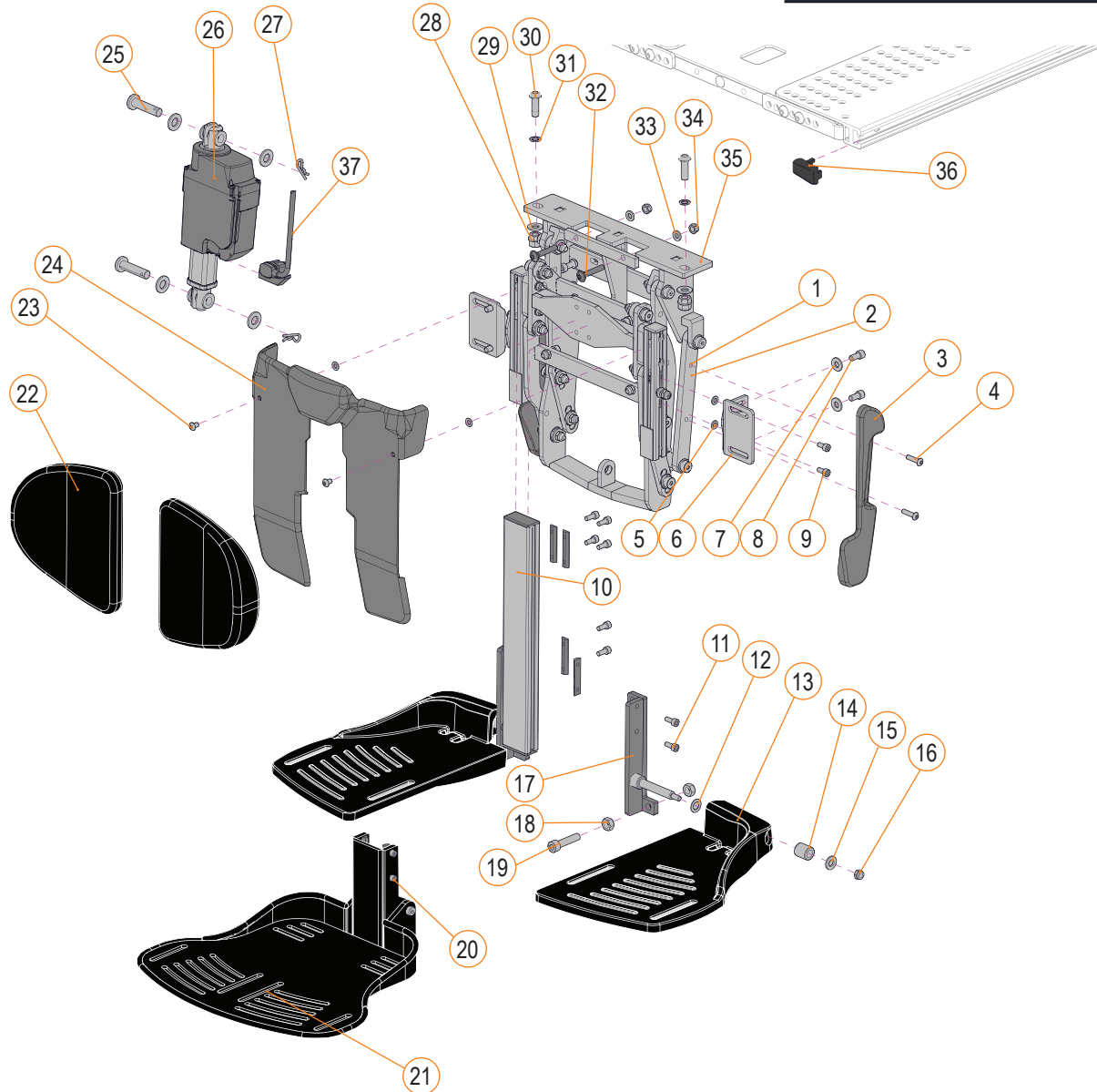
	A	B
S	11 in / 280 mm	8 in / 203 mm
M	13 in / 330 mm	8 in / 203 mm



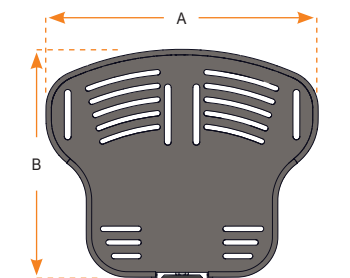
VHD POWER ELEVATING CENTRE MOUNT FOOTBOARD			
ITEM #	PART #	DESCRIPTION	PRIOR TO
7	D00283	LA23 ACTUATOR CABLE	2018-12-10
16A	C-9266	VHD FOOTBOARD ARTICULATION, LEFT HAND	2018-12-10
16B	C-9267	VHD FOOTBOARD ARTICULATION, RIGHT HAND	2018-12-10
19A	A9265	TOP CROSS BAR, 380 MM TO 505 MM (15 IN-20 IN) WIDE	2018-12-10
19B	A9268	TOP CROSS BAR, 480 MM TO 610 MM (19 IN-24 IN) WIDE	2018-12-10
19C	A92188	TOP CROSS BAR, 610 MM TO 710 MM (24 IN-28 IN) WIDE	2018-12-10
24A	H00112	CALF PAD, SMALL, 130 MM X 155 MM (5 IN X 6 IN)	2018-12-10
24B	H00111	CALF PAD, MEDIUM, 155 MM X 180 MM (6 IN X 7 IN)	2018-12-10
24C	H00113	CALF PAD, LARGE, 205 MM X 180 MM (8 IN X 7 IN)	2018-12-10
24D	H00114	CALF PAD, EXTRA LARGE, 155 MM X 180 MM (10 IN X 8 IN)	2018-12-10
27A	C-92191	SPLIT FOOTPLATE, SMALL, 305 MM WIDE X 255 MM DEPTH (12 IN X 10 IN)	2018-12-10
27B	C-92192	SPLIT FOOTPLATE, LARGE, 380 MM WIDE X 255 MM DEPTH (15 IN X 10 IN)	2018-12-10
28A	C-9228	FOOTBOARD, SMALL, 305 MM FRONT WIDE X 255 MM DEPTH (12 IN X 10 IN)	2018-12-10
28B	C-92176	FOOTBOARD, MEDIUM, 330 MM FRONT WIDE X 255 MM DEPTH (13 IN X 10 IN)	2018-12-10
28C	C-92154	FOOTBOARD, LARGE, 380 MM FRONT WIDE X 255 MM DEPTH (15 IN X 10 IN)	2018-12-10
29A	A9287	FIXED CENTER MOUNT LOWER TUBE, 380 MM TO 485 MM (15 IN-19 IN)	2018-12-10
29B	A9288	FIXED CENTER MOUNT LOWER TUBE, 485 MM TO 585 MM (19 IN-23 IN)	2018-12-10
29C	A9290	FIX CENTER MOUNT LOWER ANGLE TUBE, 380 MM TO 485 MM (15 IN-19 IN)	2018-12-10
29D	A9292	FIX CENTER MOUNT LOWER ANGLE TUBE, 485 MM TO 585 MM (19 IN-23 IN)	2018-12-10
31A	A9284	FIXED CENTER MOUNT UPPER TUBE, 380 MM TO 485 MM (15 IN-19 IN)	2018-12-10
31B	A9285	FIXED CENTER MOUNT UPPER TUBE, 485 MM TO 585 MM (19 IN-23 IN)	2018-12-10
31C	A9291	FIX CENTER MOUNT UPPER ANGLE TUBE, 485 MM TO 585 MM (19 IN-23 IN)	2018-12-10
7, 8	R00046	ACTUATOR, STROKE 115 MM 1500N	2018-12-10
23, 24A	C-92136	CALF PAD ASSEMBLY, 280 MM TO 510 MM (11 IN-20 IN) WIDE	2018-12-10
23, 24B	C-92143	CALF PAD ASSEMBLY, 535 MM TO 610 MM (21 IN-24 IN) WIDE	2018-12-10
23, 24C	C-92144	CALF PAD ASSEMBLY, 610 MM TO 710 MM (24 IN-28 IN) WIDE	2018-12-10

ITEM #	PART #	DESCRIPTION	PRIOR TO
1-15, 16A, 16B, 17, 18, 19A, 20-23, 24A, 25, 26, 29A, 30, 31A	C-92160	VHD POWER FB, 380 MM TO 485 MM (15 IN-19 IN) LENGTH, 380 MM TO 505 MM (15 IN-20 IN) WIDE	2018-12-10
1-15, 16A, 16B, 17, 18, 19B, 20-23, 24A, 25, 26, 29A, 30, 31A	C-92162	VHD POWER FB, 380 MM TO 485 MM (15 IN-19 IN) LENGTH, 480 MM TO 610 MM (19 IN-24 IN) WIDE	2018-12-10
1-15, 16A, 16B, 17, 18, 19C, 20-23, 24A, 25, 26, 29A, 30, 31A	C-92193	VHD POWER FB, 380 MM TO 485 MM (15 IN-19 IN) LENGTH, 610 MM TO 710 MM (24 IN-28 IN) WIDE	2018-12-10
1-15, 16A, 16B, 17, 18, 19A, 20-23, 24A, 25, 26, 29B, 30, 31B	C-92161	VHD POWER FB, 485 MM TO 585 MM (19 IN-23 IN) LENGTH, 380 MM TO 505 MM (15 IN-20 IN) WIDE	2018-12-10
1-15, 16A, 16B, 17, 18, 19B, 20-23, 24A, 25, 26, 29B, 30, 31B	C-92163	VHD POWER FB, 485 MM TO 585 MM (19 IN-23 IN) LENGTH, 480 MM TO 610 MM (19 IN-24 IN) WIDE	2018-12-10
1-15, 16A, 16B, 17, 18, 19C, 20-23, 24A, 25, 26, 29B, 30, 31B	C-92194	VHD POWER FB, 485 MM TO 585 MM (19 IN-23 IN) LENGTH, 610 MM TO 710 MM (24 IN-28 IN) WIDE	2018-12-10
1-15, 16A, 16B, 17, 18, 19A, 20-23, 24A, 25, 26, 29C, 30	C-92164	VHD POWER ANGLE FB, 380 MM TO 485 MM (15 IN-19 IN) LENGTH, 380 MM TO 505 MM (15 IN-20 IN) WIDE	2018-12-10
1-15, 16A, 16B, 17, 18, 19B, 20-23, 24A, 25, 26, 29C, 30	C-92166	VHD POWER ANGLE FB, 380 MM TO 485 MM (15 IN-19 IN) LENGTH, 480 MM TO 610 MM (19 IN-24 IN) WIDE	2018-12-10
1-15, 16A, 16B, 17, 18, 19C, 20-23, 24A, 25, 26, 29C, 30	C-92195	VHD POWER ANGLE FB, 380 MM TO 485 MM (15 IN-19 IN) LENGTH, 610 MM TO 710 MM (24 IN-28 IN) WIDE	2018-12-10
1-15, 16A, 16B, 17, 18, 19A, 20-23, 24A, 25, 26, 29C, 30, 31C	C-92165	VHD POWER ANGLE FB, 485 MM TO 585 MM (19 IN-23 IN) LENGTH, 380 MM TO 505 MM (15 IN-20 IN) WIDE	2018-12-10
1-15, 16A, 16B, 17, 18, 19B, 20-23, 24A, 25, 26, 29C, 30, 31C	C-92167	VHD POWER ANGLE FB, 485 MM TO 585 MM (19 IN-23 IN) LENGTH, 480 MM TO 610 MM (19 IN-24 IN) WIDE	2018-12-10
1-15, 16A, 16B, 17, 18, 19C, 20-23, 24A, 25, 26, 29C, 30, 31C	C-92196	VHD POWER ANGLE FB, 485 MM TO 585 MM (19 IN-23 IN) LENGTH, 610 MM TO 710 MM (24 IN-28 IN) WIDE	2018-12-10

**POWER ELEVATING AND ARTICULATING CENTER MOUNT FOOT PLATFORM**  
 SEE DESCRIPTION ON FOLLOWING PAGE



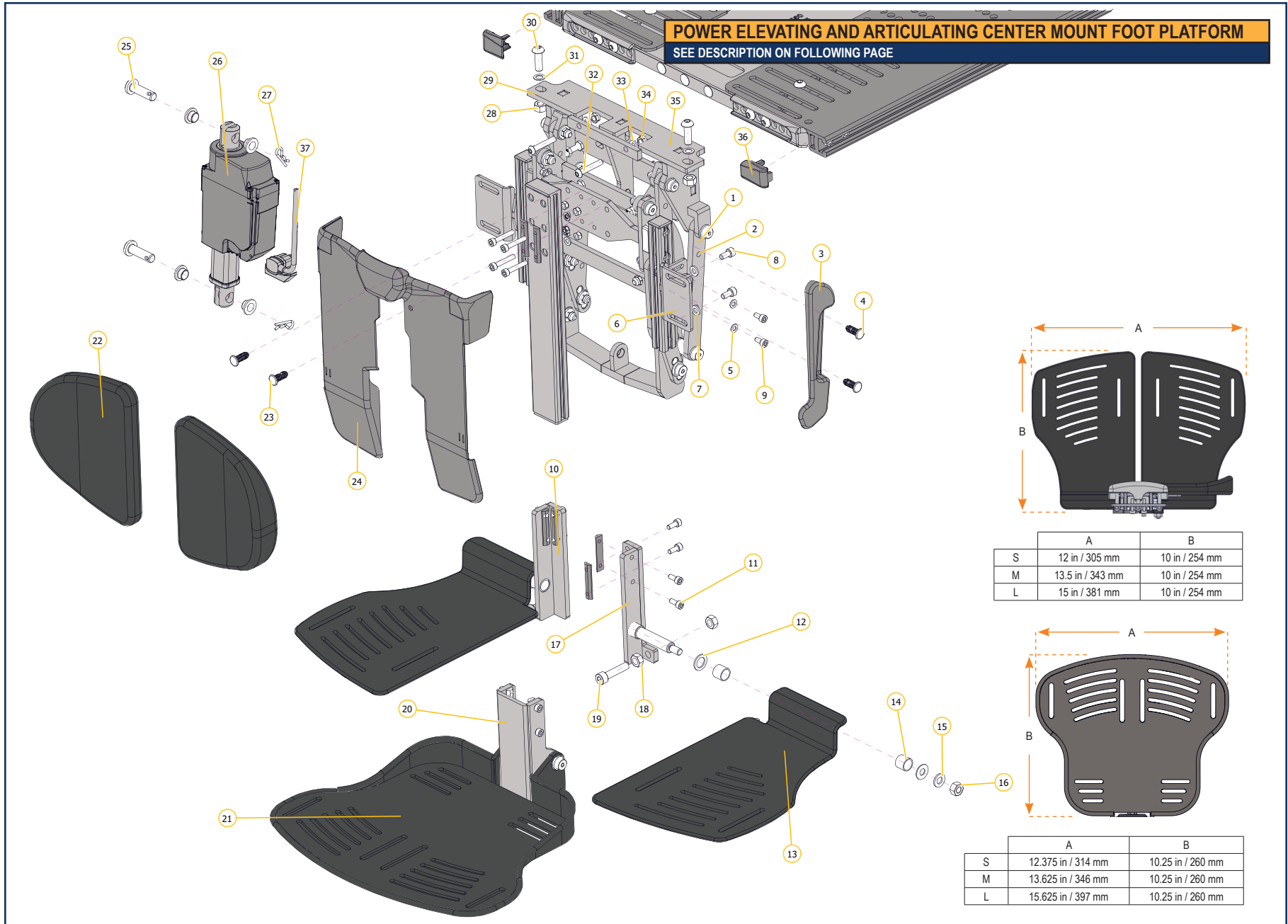
	A	B
S	12 in / 305 mm	10 in / 254 mm
M	13.5 in / 343 mm	10 in / 254 mm
L	15 in / 381 mm	10 in / 254 mm



	A	B
S	12.375 in / 314 mm	10.25 in / 260 mm
M	13.625 in / 346 mm	10.25 in / 260 mm
L	15.625 in / 397 mm	10.25 in / 260 mm

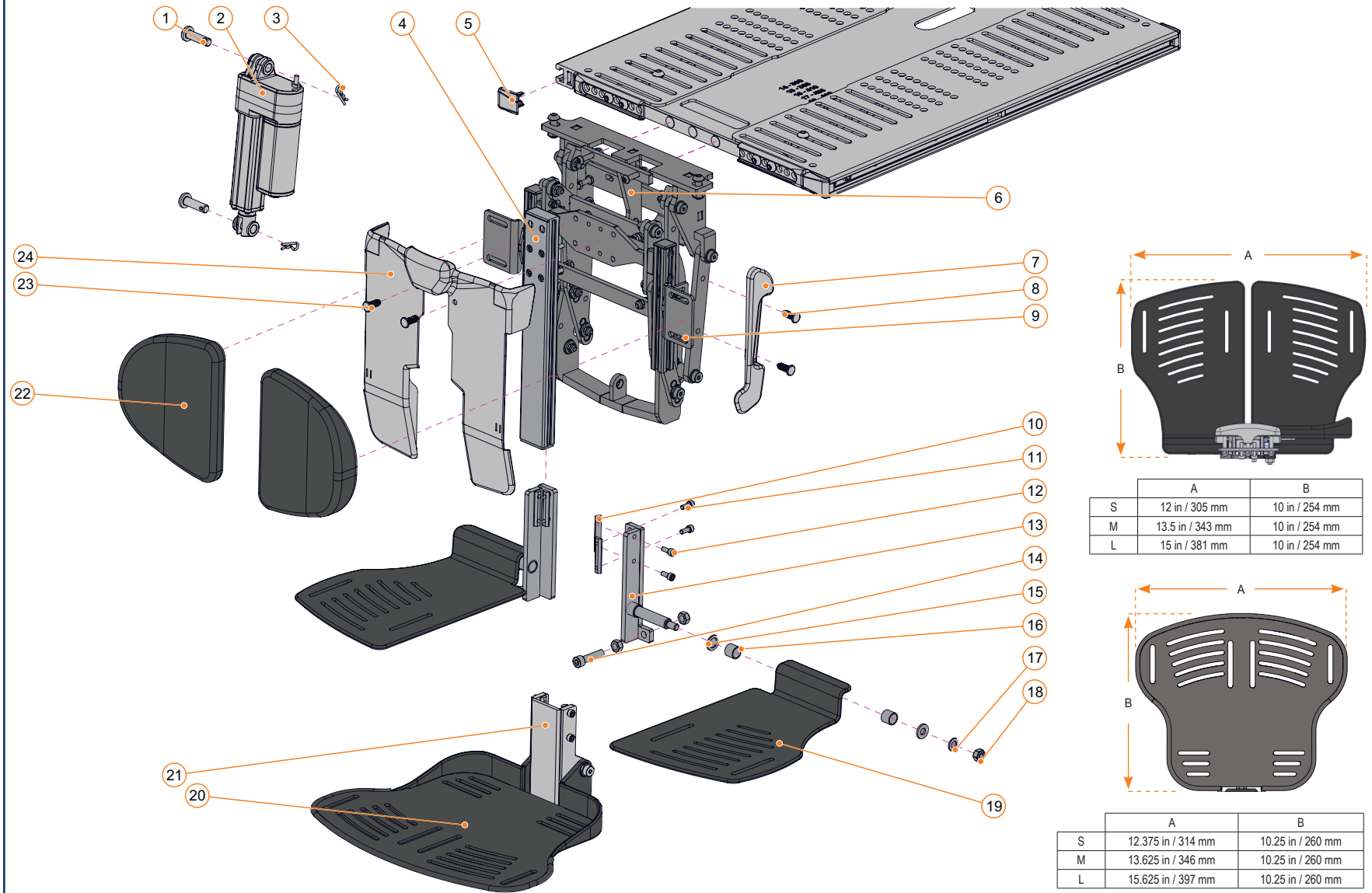
POWER ELEVATING AND ARTICULATING CENTER MOUNT FOOT PLATFORM							
ITEM #	PART #	DESCRIPTION	EFFECTIVE	ITEM #	PART #	DESCRIPTION	EFFECTIVE
1,2,3A,4	S-0136	POWER ELEVATING CENTER MOUNT, LEFT COVER	2018-12-10	10A	S-0131	POWER ELEVATING CENTER MOUNT ADJUSTABLE RANGE 265 MM TO 405 MM (10.5 IN-16 IN)	2018-12-10
1,2,3B,4	S-0137	POWER ELEVATING CENTER MOUNT, RIGHT COVER	2018-12-10	10B	S-0132	POWER ELEVATING CENTER MOUNT ADJUSTABLE RANGE 405 MM TO 510 MM (16 IN-20 IN)	2018-12-10
13A	A92214	CENTER MOUNT SPLIT FOOTPLATE, SMALL, LEFT HAND	2015-03-05	23,24	S-0135	POWER ELEVATING CENTER MOUNT, FRONT COVER	2018-12-10
13B	A92213	CENTER MOUNT SPLIT FOOTPLATE, SMALL, RIGHT HAND	2015-03-05	25,26A,27,37	S-0133	POWER ELEVATING CENTER MOUNT ACTUATOR 136 KG (300 LB)	2018-12-10
13C	A92212	CENTER MOUNT SPLIT FOOTPLATE, MEDIUM, LEFT HAND	2015-03-05	25,26B,27,37	S-0134	POWER ELEVATING CENTER MOUNT ACTUATOR 136-250 KG (301-550LB)	2018-12-10
13D	A92211	CENTER MOUNT SPLIT FOOTPLATE, MEDIUM, RIGHT HAND	2015-03-05	1-4, 10A, 23-25, 26A, 27-34, 35A	S-0129	STD POWER CENTER MOUNT ASSEMBLY, 265-405 MM (10.5-16")	2018-12-10
13E	A92209	CENTER MOUNT SPLIT FOOTPLATE, LARGE, LEFT HAND	2015-03-05	1-4, 10B, 23-25, 26A, 27-34, 35A	S-0138	STD POWER CENTER MOUNT ASSEMBLY, 405-510 MM (16-20")	2018-12-10
13F	A92208	CENTER MOUNT SPLIT FOOTPLATE, LARGE, RIGHT HAND	2015-03-05	1-4, 10A, 23-25, 26B, 27-34, 35A	S-0139	HD POWER CENTER MOUNT ASSEMBLY, 265-405 MM (10.5-16")	2019-09-03
20	S-0085	CENTER MOUNT FIXED FOOTPLATE MOUNTING HARDWARE KIT	2017-03-01	1-4, 10B, 23-25, 26B, 27-34, 35A	S-0140	HD POWER CENTER MOUNT ASSEMBLY, 405-510 MM (16-20")	2019-09-03
21A	S-0147	CENTER MOUNT FIXED FOOTBOARD, SMALL	2017-03-01	1-4, 10A, 23-25, 26B, 27-34, 35B	S-0141	VHD POWER CENTER MOUNT ASSEMBLY, 265-405 MM (10.5-16")	2019-09-03
21B	S-0148	CENTER MOUNT FIXED FOOTBOARD, MEDIUM	2017-03-01	1-4, 10B, 23-25, 26B, 27-34, 35B	S-0142	VHD POWER CENTER MOUNT ASSEMBLY, 405-510 MM (16-20")	2019-09-03
21C	S-0149	CENTER MOUNT FIXED FOOTBOARD, LARGE	2017-03-01	36	1001061	PROTECTIVE END-CAP, SEAT RAIL	2022-03-14
5-9	S-0130	CALF PADS SUPPORT BRACKETS FOR POWER ELEVATING CENTER MOUNT	2018-12-10	37	1000626	CABLE ASSEMBLY, LA23 ACTUATOR	2018-09-28
11,12,14A,15,16,17A,18,19	S-0080	CENTER MOUNT FOOTPLATE KIT, SMALL, LEFT HAND, ANGLE ADJUSTABLE	2015-03-05				
11,12,14A,15,16,17B,18,19	S-0082	CENTER MOUNT FOOTPLATE KIT, SMALL, RIGHT HAND, ANGLE ADJUSTABLE	2015-03-05				
11,12,14B,15,16,17A,18,19	S-0081	CENTER MOUNT FOOTPLATE KIT, MEDIUM-LARGE, LEFT HAND, ANGLE ADJUSTABLE	2015-03-05				
11,12,14B,15,16,17B,18,19	S-0083	CENTER MOUNT FOOTPLATE KIT, MEDIUM-LARGE, RIGHT HAND, ANGLE ADJUSTABLE	2015-03-05				
22A	H00112	CALF PAD, SMALL, 130 MM X 155 MM (5 IN X 6 IN)	2015-04-13				
22B	H00111	CALF PAD, MEDIUM, 155 MM X 180 MM (6 IN X 7 IN)	2015-04-13				
22C	H00113	CALF PAD, LARGE, 205 MM X 180 MM (8 IN X 7 IN)	2015-04-13				
22D	H00114	CALF PAD, EXTRA LARGE, 155 MM X 180 MM (10 IN X 8 IN)	2015-04-13				

POWER CENTER MOUNT - SECTION 2.4.2



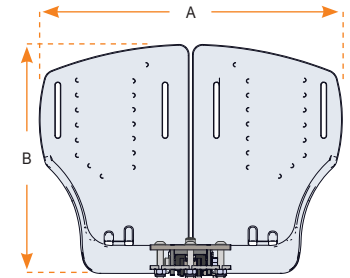
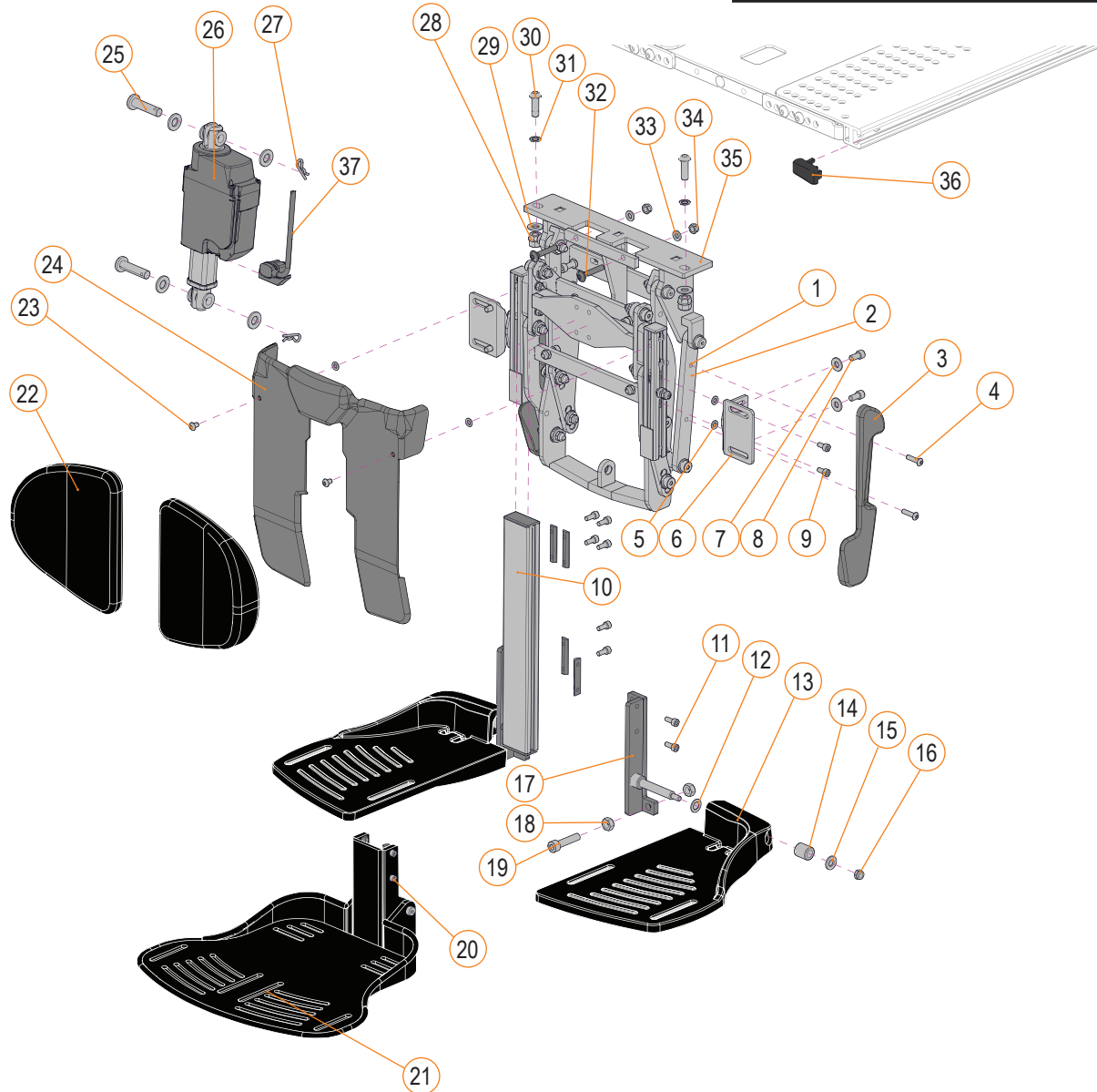
POWER ELEVATING AND ARTICULATING CENTER MOUNT FOOT PLATFORM							
ITEM #	PART #	DESCRIPTION	EFFECTIVE	ITEM #	PART #	DESCRIPTION	EFFECTIVE
1,2,3A,4	S-0136	POWER ELEVATING CENTER MOUNT, LEFT COVER	2018-12-10	10A	S-0131	POWER ELEVATING CENTER MOUNT ADJUSTABLE RANGE 265 MM TO 405 MM (10.5 IN-16 IN)	2018-12-10
1,2,3B,4	S-0137	POWER ELEVATING CENTER MOUNT, RIGHT COVER	2018-12-10	10B	S-0132	POWER ELEVATING CENTER MOUNT ADJUSTABLE RANGE 405 MM TO 510 MM (16 IN-20 IN)	2018-12-10
13A	1004335	FOOTPLATE ASSEMBLY, SMALL, RH	2024-08-20	23,24	S-0135	POWER ELEVATING CENTER MOUNT, FRONT COVER	2018-12-10
13B	1004336	FOOTPLATE ASSEMBLY, SMALL, LH	2024-08-20	25,26A,27,37	S-0133	POWER ELEVATING CENTER MOUNT ACTUATOR 136 KG (300 LB)	2018-12-10
13C	1004337	FOOTPLATE ASSEMBLY, SMALL, RH	2024-08-20	25,26B,27,37	S-0134	POWER ELEVATING CENTER MOUNT ACTUATOR 136-250 KG (301-550LB)	2018-12-10
13D	1004338	FOOTPLATE ASSEMBLY, SMALL, LH	2024-08-20	1-4, 10A, 23-25, 26A, 27-34, 35A	S-0129	STD POWER CENTER MOUNT ASSEMBLY, 265-405 MM (10.5-16")	2018-12-10
13E	1004339	FOOTPLATE ASSEMBLY, MEDIUM,RH	2024-08-20	1-4, 10B, 23-25, 26A, 27-34, 35A	S-0138	STD POWER CENTER MOUNT ASSEMBLY, 405-510 MM (16-20")	2018-12-10
13F	1004340	FOOTPLATE ASSEMBLY, MEDIUM, LH	2024-08-20	1-4, 10A, 23-25, 26B, 27-34, 35A	S-0139	HD POWER CENTER MOUNT ASSEMBLY, 265-405 MM (10.5-16")	2019-09-03
20	S-0085	CENTER MOUNT FIXED FOOTPLATE MOUNTING HARDWARE KIT	2017-03-01	1-4, 10B, 23-25, 26B, 27-34, 35A	S-0140	HD POWER CENTER MOUNT ASSEMBLY, 405-510 MM (16-20")	2019-09-03
21A	S-0147	CENTER MOUNT FIXED FOOTBOARD, SMALL	2017-03-01	1-4, 10A, 23-25, 26B, 27-34, 35B	S-0141	VHD POWER CENTER MOUNT ASSEMBLY, 265-405 MM (10.5-16")	2019-09-03
21B	S-0148	CENTER MOUNT FIXED FOOTBOARD, MEDIUM	2017-03-01	1-4, 10B, 23-25, 26B, 27-34, 35B	S-0142	VHD POWER CENTER MOUNT ASSEMBLY, 405-510 MM (16-20")	2019-09-03
21C	S-0149	CENTER MOUNT FIXED FOOTBOARD, LARGE	2017-03-01	36	1001061	PROTECTIVE END-CAP, SEAT RAIL	2022-03-14
5-9	S-0130	CALF PADS SUPPORT BRACKET FOR POWER ELEVATING CENTER MOUNT	2018-12-10	37	1000626	CABLE ASSEMBLY, LA23 ACTUATOR	2018-09-28
11,12,14,15, 16,17A,18,19	1004517	KIT, HEIGHT & ANGLE ADJ. BKT, CTR MNT FTPLATE, LH	2024-08-20				
11,12,14,15, 16,17A,18,19	1004518	KIT, HEIGHT & ANGLE ADJ. BKT, CTR MNT FTPLATE, RH	2024-08-20				
22A	H00112	CALF PAD, SMALL, 130 MM X 155 MM (5 IN X 6 IN)	2015-04-13				
22B	H00111	CALF PAD, MEDIUM, 155 MM X 180 MM (6 IN X 7 IN)	2015-04-13				
22C	H00113	CALF PAD, LARGE, 205 MM X 180 MM (8 IN X 7 IN)	2015-04-13				
22D	H00114	CALF PAD, EXTRA LARGE, 155 MM X 180 MM (10 IN X 8 IN)	2015-04-13				

**POWER ELEVATING AND ARTICULATING CENTER MOUNT FOOT PLATFORM**  
 SEE DESCRIPTION ON FOLLOWING PAGE

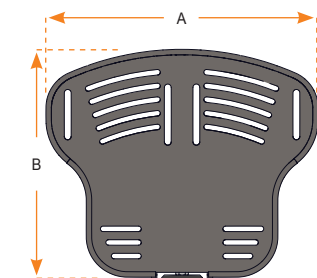


POWER ELEVATING AND ARTICULATING CENTER MOUNT FOOT PLATFORM							
ITEM #	PART #	DESCRIPTION	EFFECTIVE	ITEM #	PART #	DESCRIPTION	EFFECTIVE
1-3	1005688	PWR ELEV CTR MT ACT 0-250 KG (0-550LB) [E2378]	2026-03-09	19A	1004335	FOOTPLATE ASSEMBLY, SMALL, RH [K0040]	2024-08-20
4A	S-0131	PWR ELEV CTR MOUNT ADJ RANGE 265-405 MM (10.5-16")	2018-12-10	19B	1004336	FOOTPLATE ASSEMBLY, SMALL, LH [K0040]	2024-08-20
4B	S-0132	PWR ELEV CTR MOUNT ADJ RANGE 405-510 MM (16-20")	2018-12-10	19C	1004337	FOOTPLATE ASSEMBLY, MEDIUM, RH [K0040]	2024-08-20
5	1001061	PROTECTIVE END-CAP, SEAT RAIL	2022-03-14	19D	1004338	FOOTPLATE ASSEMBLY, MEDIUM, LH [K0040]	2024-08-20
1-4A, 6A, 23-24	S-0129	STD PWR CTR MT ASSY, 265-405 MM (10.5-16") [E1012]	2018-12-10	19E	1004339	FOOTPLATE ASSEMBLY, LARGE, RH [K0040]	2024-08-20
1-4B, 6A, 23-24	S-0138	STD PWR CTR MT ASSY, 405-510 MM (16-20") [E1012]	2018-12-10	19F	1004340	FOOTPLATE ASSEMBLY, LARGE, LH [K0040]	2024-08-20
1-4A, 6A, 23-24	S-0139	HD PWR CTR MT ASSY, 265-405 MM (10.5-16") [E1012]	2019-09-03	20A	S-0147	SMALL CENTER MOUNT FIXED FOOTBOARD	2017-03-01
1-4B, 6A, 23-24	S-0140	HD PWR CTR MT ASSY, 405-510 MM (16-20") [E1012]	2019-09-03	20B	S-0148	MEDIUM CENTER MOUNT FIXED FOOTBOARD	2017-03-01
1-4A, 6B, 23-24	S-0141	VHD PWR CTR MT ASSY, 265-405 MM (10.5-16") [E1012]	2019-09-03	20C	S-0149	LARGE CENTER MOUNT FIXED FOOTBOARD	2017-03-01
1-4B, 6B, 23-24	S-0142	VHD PWR CTR MT ASSY, 405-510 MM (16-20") [E1012]	2019-09-03	21	S-0085	CENTER MOUNT FIXED FOOTPLATE MOUNTING HARDWARE KIT	2017-03-01
7A, 8	S-0136	PWR ELEV CTR MOUNT, LEFT COVER	2018-12-10	22A	H00112	CALF PAD, S, 130MM X 155MM (5IN X 6IN) [E0995]	2015-04-13
7B, 8	S-0137	PWR ELEV CTR MOUNT, RIGHT COVER	2018-12-10	22B	H00111	CALF PAD, M, 155MM X 180MM (6IN X 7IN) [E0995]	2015-04-13
9	S-0130	CALF PADS SUPPORT BKTS FOR PWR ELEV CTR MOUNT	2018-12-10	22C	H00113	CALF PAD, L, 205MM X 180MM (8IN X 7IN) [E0995]	2015-04-13
10-12, 13A, 14-18	1004517	KIT, HEIGHT & ANGLE ADJ. BKT, CTR MNT FTPLATE, LH	2024-08-20	22D	H00114	CALF PAD, EXTRA-L, 155X180MM (10IN X 8IN) [E0995]	2015-04-13
10-12, 13B, 14-18	1004518	KIT, HEIGHT & ANGLE ADJ. BKT, CTR MNT FTPLATE, RH	2024-08-20	23-24	S-0135	PWR ELEV CTR MOUNT, FRONT COVER	2018-12-10

**POWER ELEVATING AND ARTICULATING CENTER MOUNT FOOT PLATFORM, E-BX**  
 SEE DESCRIPTION ON FOLLOWING PAGE



	A	B
S	12 in / 305 mm	10 in / 254 mm
M	13.5 in / 343 mm	10 in / 254 mm
L	15 in / 381 mm	10 in / 254 mm



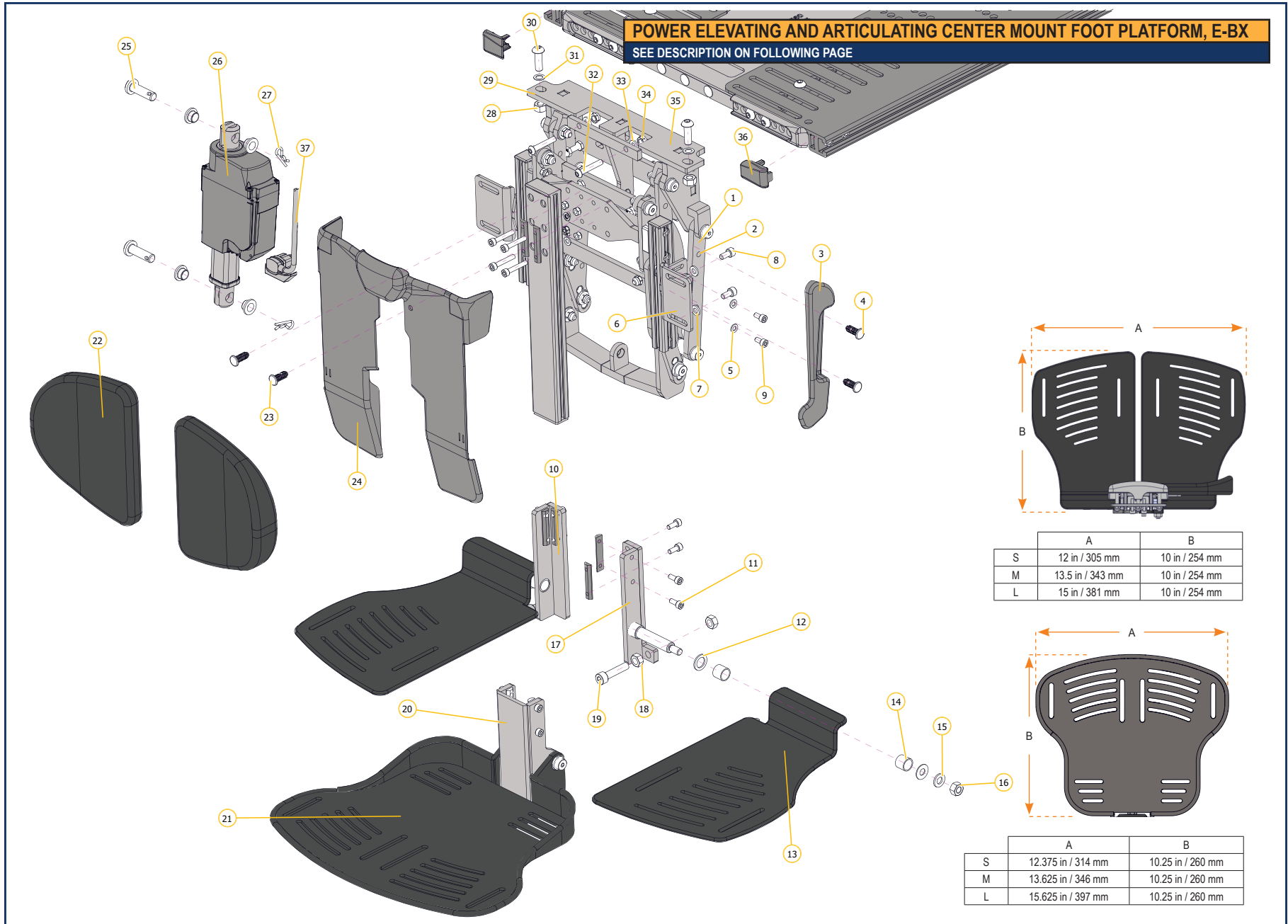
	A	B
S	12.375 in / 314 mm	10.25 in / 260 mm
M	13.625 in / 346 mm	10.25 in / 260 mm
L	15.625 in / 397 mm	10.25 in / 260 mm

**POWER ELEVATING AND ARTICULATING CENTER MOUNT FOOT PLATFORM, E-BX**

ITEM #	PART #	DESCRIPTION	EFFECTIVE
1,2,3A,4	S-0136	POWER ELEVATING CENTER MOUNT, LEFT COVER	2018-12-10
1,2,3B,4	S-0137	POWER ELEVATING CENTER MOUNT, RIGHT COVER	2018-12-10
13A	A92214	CENTER MOUNT SPLIT FOOTPLATE, SMALL, LEFT HAND	2015-03-05
13B	A92213	CENTER MOUNT SPLIT FOOTPLATE, SMALL, RIGHT HAND	2015-03-05
13C	A92212	CENTER MOUNT SPLIT FOOTPLATE, MEDIUM, LEFT HAND	2015-03-05
13D	A92211	CENTER MOUNT SPLIT FOOTPLATE, MEDIUM, RIGHT HAND	2015-03-05
13E	A92209	CENTER MOUNT SPLIT FOOTPLATE, LARGE, LEFT HAND	2015-03-05
13F	A92208	CENTER MOUNT SPLIT FOOTPLATE, LARGE, RIGHT HAND	2015-03-05
20	S-0085	CENTER MOUNT FIXED FOOTBOARD MOUNTING HARDWARE KIT	2017-03-01
21A	S-0147	CENTER MOUNT FIXED FOOTBOARD, SMALL	2017-03-01
21B	S-0148	CENTER MOUNT FIXED FOOTBOARD, MEDIUM	2017-03-01
21C	S-0149	CENTER MOUNT FIXED FOOTBOARD, LARGE	2017-03-01
5-9	S-0130	CALF PADS SUPPORT BRACKETS FOR POWER ELEVATING CENTER MOUNT	2018-12-10
11,12,14A,15,16,17A,18,19	S-0080	CENTER MOUNT FOOTPLATE KIT, SMALL, LEFT HAND, ANGLE ADJUSTABLE	2015-03-05
11,12,14A,15,16,17B,18,19	S-0082	CENTER MOUNT FOOTPLATE KIT, SMALL, RIGHT HAND, ANGLE ADJUSTABLE	2015-03-05
11,12,14B,15,16,17A,18,19	S-0081	CENTER MOUNT FOOTPLATE KIT, MEDIUM-LARGE, LEFT HAND, ANGLE ADJUSTABLE	2015-03-05
11,12,14B,15,16,17B,18,19	S-0083	CENTER MOUNT FOOTPLATE KIT, MEDIUM-LARGE, RIGHT HAND, ANGLE ADJUSTABLE	2015-03-05
22A	H00112	CALF PAD, SMALL, 130 MM X 155 MM (5 IN X 6 IN)	2015-04-13
22B	H00111	CALF PAD, MEDIUM, 155 MM X 180 MM (6 IN X 7 IN)	2015-04-13
22C	H00113	CALF PAD, LARGE, 205 MM X 180 MM (8 IN X 7 IN)	2015-04-13
22D	H00114	CALF PAD, EXTRA LARGE, 155 MM X 180 MM (10 IN X 8 IN)	2015-04-13

ITEM #	PART #	DESCRIPTION	EFFECTIVE
10A	S-0131	POWER ELEVATING CENTER MOUNT ADJUSTABLE RANGE 265 MM TO 405 MM (10.5 IN-16 IN)	2018-12-10
10B	S-0132	POWER ELEVATING CENTER MOUNT ADJUSTABLE RANGE 405 MM TO 510 MM (16 IN-20 IN)	2018-12-10
23,24	S-0135	POWER ELEVATING CENTER MOUNT, FRONT COVER	2018-12-10
36	1001061	PROTECTIVE END-CAP, SEAT RAIL	2022-03-14
25,26C,27,37	S-0172	IQ ACTUATOR POWER CENTER MOUNT EBX 136 KG (300 LB)	2020-02-03
25,26D,27,37	S-0173	IQ ACTUATOR HD POWER CENTER MOUNT / STANDER - EBX 250KG (550LB)	2020-02-03
1-4, 10A, 23-25, 26C, 27-34, 35A	S-0166	STD POWER CENTER MOUNT EBX, 265-405 MM (10.5-16")	2020-02-03
1-4, 10B, 23-25, 26C, 27-34, 35A	S-0167	STD POWER CENTER MOUNT EBX, 405-510 MM (16-20")	2020-02-03
1-4, 10A, 23-25, 26D, 27-34, 35A	S-0168	HD POWER CENTER MOUNT EBX, 265-405 MM (10.5-16")	2020-02-03
1-4, 10B, 23-25, 26D, 27-34, 35A	S-0169	HD POWER CENTER MOUNT EBX, 405-510 MM (16-20")	2020-02-03
1-4, 10A, 23-25, 26D, 27-34, 35B	S-0170	VHD POWER CENTER MOUNT EBX, 265-405 MM (10.5-16")	2020-02-03
1-4, 10B, 23-25, 26D, 27-34, 35B	S-0171	VHD POWER CENTER MOUNT EBX, 405-510 MM (16-20")	2020-02-03
1-4, 10B, 23-25, 26D, 27-34, 35B	S-0183	POWER CENTER MOUNT STAND, 405-510 MM (20")	2019-09-03
1-4, 10A, 23-25, 26D, 27-34, 35B	S-0182	POWER CENTER MOUNT STAND, 265-405MM (10.5-16")	2019-09-03

POWER CENTER MOUNT - SECTION 2.4.2

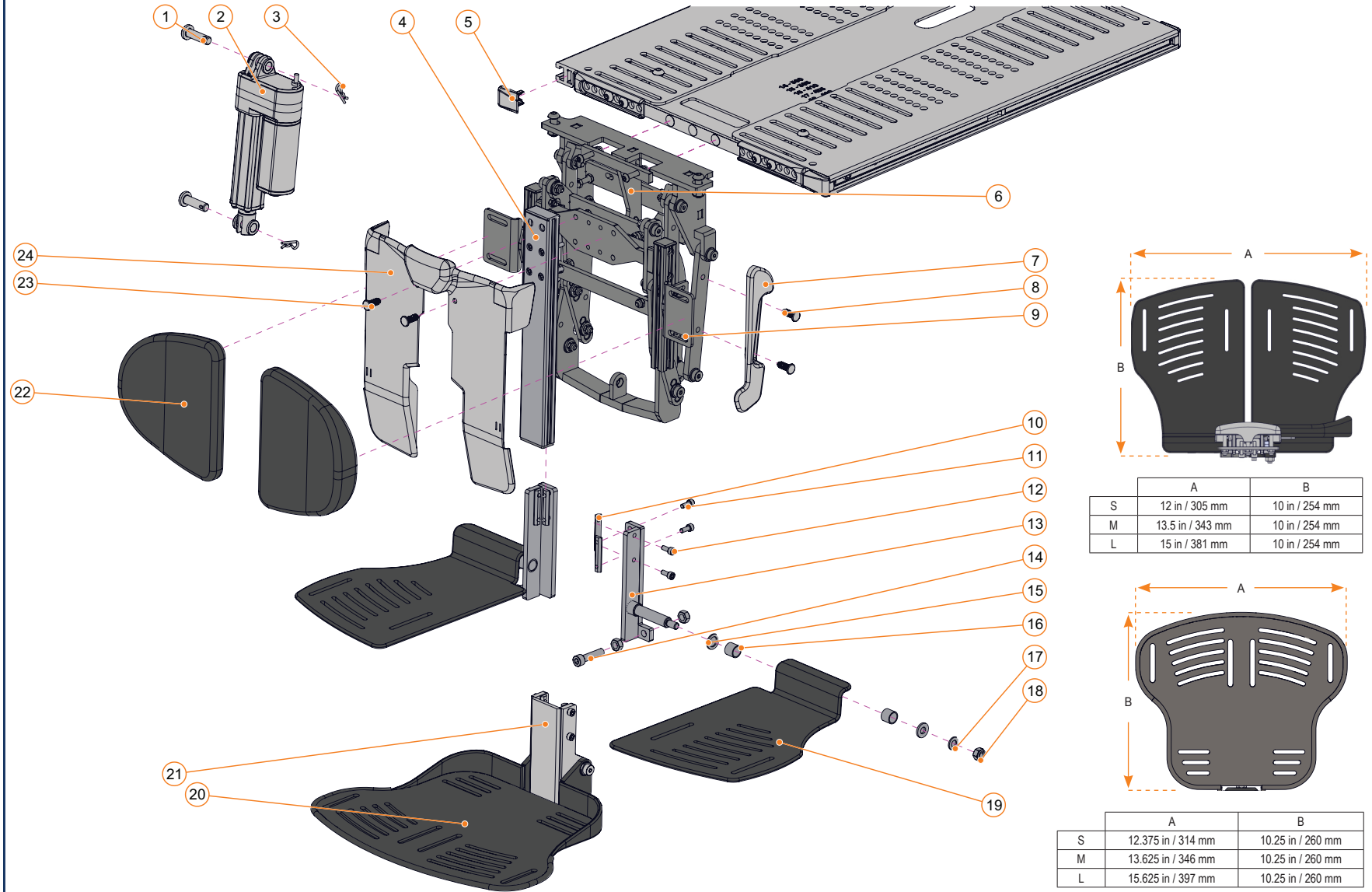


**POWER ELEVATING AND ARTICULATING CENTER MOUNT FOOT PLATFORM, E-BX**

ITEM #	PART #	DESCRIPTION	EFFECTIVE
1,2,3A,4	S-0136	POWER ELEVATING CENTER MOUNT, LEFT COVER	2018-12-10
1,2,3B,4	S-0137	POWER ELEVATING CENTER MOUNT, RIGHT COVER	2018-12-10
13A	1004335	FOOTPLATE ASSEMBLY, SMALL, RH	2024-08-20
13B	1004336	FOOTPLATE ASSEMBLY, SMALL, LH	2024-08-20
13C	1004337	FOOTPLATE ASSEMBLY, MEDIUM, RH	2024-08-20
13D	1004338	FOOTPLATE ASSEMBLY, MEDIUM, LH	2024-08-20
13E	1004339	FOOTPLATE ASSEMBLY, LARGE, RH	2024-08-20
13F	1004340	FOOTPLATE ASSEMBLY, LARGE, LH	2024-08-20
20	S-0085	CENTER MOUNT FIXED FOOTBOARD MOUNTING HARDWARE KIT	2017-03-01
21A	S-0147	CENTER MOUNT FIXED FOOTBOARD, SMALL	2017-03-01
21B	S-0148	CENTER MOUNT FIXED FOOTBOARD, MEDIUM	2017-03-01
21C	S-0149	CENTER MOUNT FIXED FOOTBOARD, LARGE	2017-03-01
5-9	S-0130	CALF PADS SUPPORT BRACKET FOR POWER ELEVATING CENTER MOUNT	2018-12-10
11,12,14,15,16,17A,18,19	1004517	KIT, HEIGHT & ANGLE ADJ. BKT, CTR MNT FTPLATE, LH	2024-08-20
11,12,14,15,16,17A,18,19	1004518	KIT, HEIGHT & ANGLE ADJ. BKT, CTR MNT FTPLATE, RH	2024-08-20
22A	H00112	CALF PAD, SMALL, 130 MM X 155 MM (5 IN X 6 IN)	2015-04-13
22B	H00111	CALF PAD, MEDIUM, 155 MM X 180 MM (6 IN X 7 IN)	2015-04-13
22C	H00113	CALF PAD, LARGE, 205 MM X 180 MM (8 IN X 7 IN)	2015-04-13
22D	H00114	CALF PAD, EXTRA LARGE, 155 MM X 180 MM (10 IN X 8 IN)	2015-04-13

ITEM #	PART #	DESCRIPTION	EFFECTIVE
10A	S-0131	POWER ELEVATING CENTER MOUNT ADJUSTABLE RANGE 265 MM TO 405 MM (10.5 IN-16 IN)	2018-12-10
10B	S-0132	POWER ELEVATING CENTER MOUNT ADJUSTABLE RANGE 405 MM TO 510 MM (16 IN-20 IN)	2018-12-10
23,24	S-0135	POWER ELEVATING CENTER MOUNT, FRONT COVER	2018-12-10
36	1001061	PROTECTIVE END-CAP, SEAT RAIL	2022-03-14
25,26C,27,37	S-0172	IQ ACTUATOR POWER CENTER MOUNT EBX 136 KG (300 LB)	2020-02-03
25,26D,27,37	S-0173	IQ ACTUATOR HD POWER CENTER MOUNT / STANDER - EBX 250KG (550LB)	2020-02-03
1-4, 10A, 23-25, 26C, 27-34, 35A	S-0166	STD POWER CENTER MOUNT EBX, 265-405 MM (10.5-16")	2020-02-03
1-4, 10B, 23-25, 26C, 27-34, 35A	S-0167	STD POWER CENTER MOUNT EBX, 405-510 MM (16-20")	2020-02-03
1-4, 10A, 23-25, 26D, 27-34, 35A	S-0168	HD POWER CENTER MOUNT EBX, 265-405 MM (10.5-16")	2020-02-03
1-4, 10B, 23-25, 26D, 27-34, 35A	S-0169	HD POWER CENTER MOUNT EBX, 405-510 MM (16-20")	2020-02-03
1-4, 10A, 23-25, 26D, 27-34, 35B	S-0170	VHD POWER CENTER MOUNT EBX, 265-405 MM (10.5-16")	2020-02-03
1-4, 10B, 23-25, 26D, 27-34, 35B	S-0171	VHD POWER CENTER MOUNT EBX, 405-510 MM (16-20")	2020-02-03
1-4, 10B, 23-25, 26D, 27-34, 35B	S-0183	POWER CENTER MOUNT STAND, 405-510 MM (20")	2019-09-03
1-4, 10A, 23-25, 26D, 27-34, 35B	S-0182	POWER CENTER MOUNT STAND, 265-405MM (10.5-16")	2019-09-03

**POWER ELEVATING AND ARTICULATING CENTER MOUNT FOOT PLATFORM, E-BX**  
 SEE DESCRIPTION ON FOLLOWING PAGE

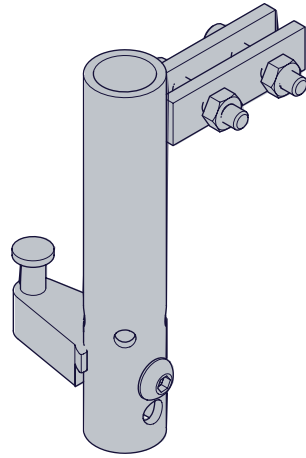


**POWER ELEVATING AND ARTICULATING CENTER MOUNT FOOT PLATFORM, E-BX**

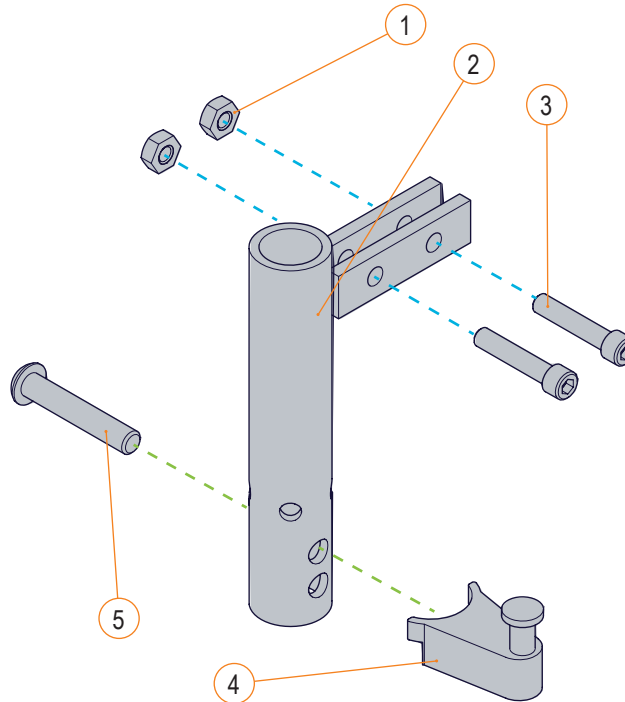
ITEM #	PART #	DESCRIPTION	EFFECTIVE
1-3	1005689	IQ ACT HD PWR CTR MT/ST.-EBX 250KG(550LB) [E2378]	2026-03-09
4A	S-0131	PWR ELEV CTR MOUNT ADJ RANGE 265-405 MM (10.5-16")	2018-12-10
4B	S-0132	PWR ELEV CTR MOUNT ADJ RANGE 405-510 MM (16-20")	2018-12-10
5	1001061	PROTECTIVE END-CAP, SEAT RAIL	2022-03-14
1-4A, 6A, 23-24	S-0166	STD PWR CTR MT EBX, 265-405 MM (10.5-16") [E1012]	2020-02-03
1-4B, 6A, 23-24	S-0167	STD PWR CTR MT EBX, 405-510 MM (16-20") [E1012]	2020-02-03
1-4A, 6A, 23-24	S-0168	HD PWR CTR MT EBX, 265-405 MM (10.5-16") [E1012]	2020-02-03
1-4B, 6A, 23-24	S-0169	HD PWR CTR MT EBX, 405-510 MM (16-20") [E1012]	2020-02-03
1-4A, 6B, 23-24	S-0170	VHD PWR CTR MT EBX, 265-405 MM (10.5-16") [E1012]	2020-02-03
1-4B, 6B, 23-24	S-0171	VHD PWR CTR MT EBX, 405-510 MM (16-20") [E1012]	2020-02-03
1-4A, 6B, 23-24	S-0182	PWR CTR MT STAND, 265-405MM (10.5-16") [E1012]	2019-09-03
1-4B, 6B, 23-24	S-0183	PWR CTR MT STAND, 405-510 MM (20") [E1012]	2019-09-03
7A, 8	S-0136	PWR ELEV CTR MOUNT, LEFT COVER	2018-12-10
7B, 8	S-0137	PWR ELEV CTR MOUNT, RIGHT COVER	2018-12-10
9	S-0130	CALF PADS SUPPORT BKTS FOR PWR ELEV CTR MOUNT	2018-12-10
10-12, 13A, 14-18	1004517	KIT, HEIGHT & ANGLE ADJ. BKT, CTR MNT FTPLATE, LH	2024-08-20
10-12, 13B, 14-18	1004518	KIT, HEIGHT & ANGLE ADJ. BKT, CTR MNT FTPLATE, RH	2024-08-20

ITEM #	PART #	DESCRIPTION	EFFECTIVE
19A	1004335	FOOTPLATE ASSEMBLY, SMALL, RH [K0040]	2024-08-20
19B	1004336	FOOTPLATE ASSEMBLY, SMALL, LH [K0040]	2024-08-20
19C	1004337	FOOTPLATE ASSEMBLY, MEDIUM, RH [K0040]	2024-08-20
19D	1004338	FOOTPLATE ASSEMBLY, MEDIUM, LH [K0040]	2024-08-20
19E	1004339	FOOTPLATE ASSEMBLY, LARGE, RH [K0040]	2024-08-20
19F	1004340	FOOTPLATE ASSEMBLY, LARGE, LH [K0040]	2024-08-20
20A	S-0147	SMALL CENTER MOUNT FIXED FOOTBOARD	2017-03-01
20B	S-0148	MEDIUM CENTER MOUNT FIXED FOOTBOARD	2017-03-01
20C	S-0149	LARGE CENTER MOUNT FIXED FOOTBOARD	2017-03-01
21	S-0085	CENTER MOUNT FIXED FOOTPLATE MOUNTING HARDWARE KIT	2017-03-01
22A	H00112	CALF PAD, S, 130MM X 155MM (5IN X 6IN) [E0995]	2015-04-13
22B	H00111	CALF PAD, M, 155MM X 180MM (6IN X 7IN) [E0995]	2015-04-13
22C	H00113	CALF PAD, L, 205MM X 180MM (8IN X 7IN) [E0995]	2015-04-13
22D	H00114	CALF PAD, EXTRA-L, 155X180MM (10IN X 8IN) [E0995]	2015-04-13
23-24	S-0135	PWR ELEV CTR MOUNT, FRONT COVER	2018-12-10

OEM LEG REST RECEIVERS - SECTION 2.5.1



OEM LEG REST RECEIVERS			
ITEM #	PART #	DESCRIPTION	PRIOR TO
2	A9269	RECEIVER TUBE FOR OEM LEG REST	2021-09-01
1-3, 4A, 5	C-9283	QUICKIE LEG REST RECEIVERS	2021-09-01
1-3, 4B, 5	C-9284	INVACARE PIVOT STYLE LEG REST RECEIVERS	2021-09-01



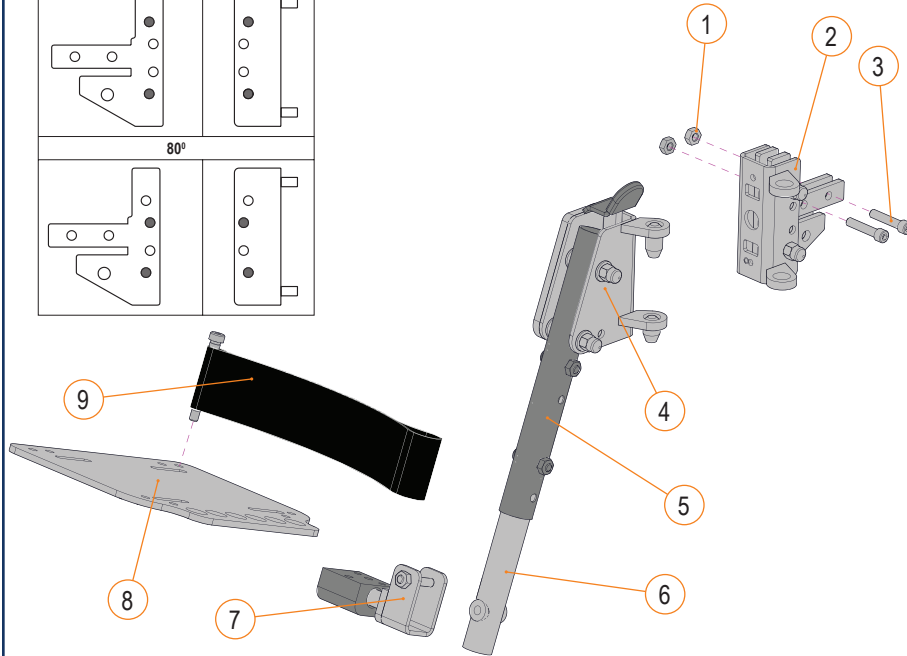
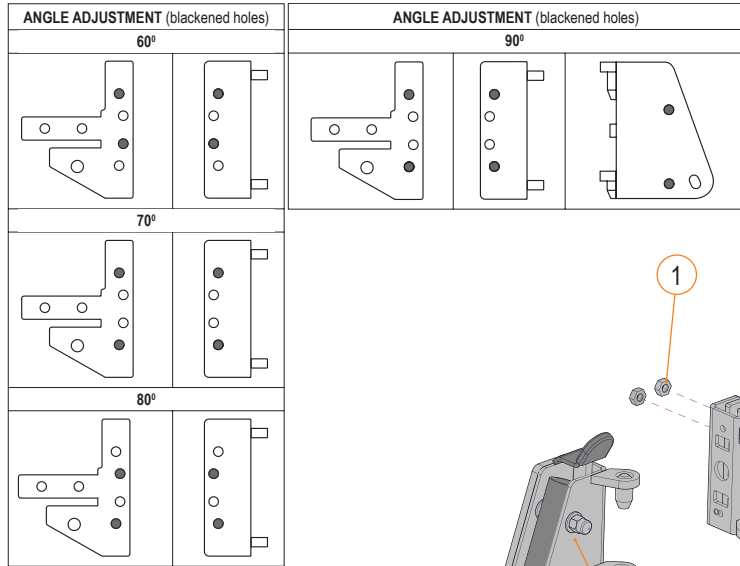
ANGLE ADJUSTMENT (blackened holes)

ANGLE: 60°      ANGLE: 70°      ANGLE: 80°      ANGLE: 90°

# PART	DESCRIPTION	WIDTH X DEPTH	SEAT WIDTH
1004685	X-SMALL FOOTPLATE	95x105 MM (3.75x6 IN)	280-330 MM (11-13 IN)
1002854	S FOOTPLATE	130x205 MM (5x8 IN)	355-380 MM (14-15 IN)
1003194	M FOOTPLATE	155x205 MM (6x8 IN)	405-430 MM (16-17 IN)
1003195	STD FOOTPLATE	180x205 MM (7x8 IN)	455-485 MM (18-19 IN)
1003196	L FOOTPLATE	205x205 MM (8x8 IN)	510-560 MM (20-22 IN)
1004050	XL FOOTPLATE	243x205 MM (9x8 IN)	585-710 MM (23-28 IN)
1004686	X-SMALL OVERSIZED FOOTPLATE	95x205 MM (3.75x8 IN)	280-330 MM (11-13 IN)
1003646	OVERSIZED FOOTPLATE, XSMALL	90x255 MM (3.5x10 IN)	280-330 MM (11-13 IN)
1001682	OVERSIZED FOOTPLATE, SMALL	130x255 MM (5x10 IN)	355-380 MM (14-15 IN)
1001666	OVERSIZED FOOTPLATE, MEDIUM	155x255 MM (6x10 IN)	405-430 MM (16-17 IN)
1001665	OVERSIZED FOOTPLATE, STANDARD	180x255 MM (7x10 IN)	455-485 MM (18-19 IN)
1001664	OVERSIZED FOOTPLATE, LARGE	205x255 MM (8x10 IN)	510-560 MM (20-22 IN)
1001663	OVERSIZED FOOTPLATE, XLARGE	243x255 MM (9x10 IN)	585-710 MM (23-28 IN)

SIGNATURE STANDARD (PEDIATRIC) SWING-AWAY FOOTRESTS			
ITEM #	PART #	DESCRIPTION	EFFECTIVE
1A, 2	1004425-L	ASSY, AS FOOTREST RECEIVER, STD, LH	2023-12-01
1B, 2	1004425-R	ASSY, AS FOOTREST RECEIVER, STD, RH	2023-12-01
3A, 6	1004759-L	STS PED FOOTREST, 127 TO 254 MM (5 TO 10 IN), LH	2023-12-01
3B, 6	1004759-R	STS PED FOOTREST, 127 TO 254 MM (5 TO 10 IN), RH	2023-12-01
3C, 6	1004760-L	STS PED FOOTREST, 127 TO 305 MM (5 TO 12 IN), LH	2023-12-01
3D, 6	1004760-R	STS PED FOOTREST, 127 TO 305 MM (5 TO 12 IN), RH	2023-12-01
4A	1004691-L	STS PED. ANGLE ADJ. FOOTPLATE SUPPORT BKT ASSY, LH	2023-12-01
4B	1004691-R	STS PED. ANGLE ADJ. FOOTPLATE SUPPORT BKT ASSY, RH	2023-12-01
4C	1004692-L	STS PED. FIXED FOOTPLATE SUPPORT BRACKET ASSY, LH	2023-12-01
4D	1004692-R	STS PED. FIXED FOOTPLATE SUPPORT BRACKET ASSY, RH	2023-12-01
5A	1004685	X-SMALL, PEDIATRIC FOOTPLATE 95X105 MM (3.75X6 IN)	2023-12-01
5B	1004686	X-SMALL, O-S PED. FOOTPLATE 95X205 MM (3.75X8 IN)	2023-12-01
5C	1002854	S FOOTPLATE 130x205MM (5x8IN)	2023-08-08
5D	1003194	M FOOTPLATE 155x205MM (6x8IN)	2023-08-08
5E	1003646	OVERSIZED FOOTPLATE, XSMALL, 90x255MM (3.5x10IN)	2021-09-14
5F	1001682	OVERSIZED FOOTPLATE, SMALL, 130x255MM (5x10IN)	2021-09-14
5G	1001666	OVERSIZED FOOTPLATE, MEDIUM, 155x255MM (6x10IN)	2021-09-14
6	1004687	PLASTIC END-CAP, FOOTREST EXTRUSION	2023-12-01
1A, 2, 3A, 6	1004761-L	STS PED FOOTREST ASS'Y, 127-254 MM (5-10 IN), LH	2023-12-01
1B, 2, 3B, 6	1004761-R	STS PED FOOTREST ASS'Y, 127-254 MM (5-10 IN), RH	2023-12-01
1A, 2, 3C, 6	1004762-L	STS PED FOOTREST ASS'Y, 127-305 MM (5-12 IN), LH	2023-12-01
1B, 2, 3D, 6	1004762-R	STS PED FOOTREST ASS'Y, 127-305 MM (5-12 IN), RH	2023-12-01

**STANDARD SWING-AWAY FOOTREST - SECTION 2.5.3**

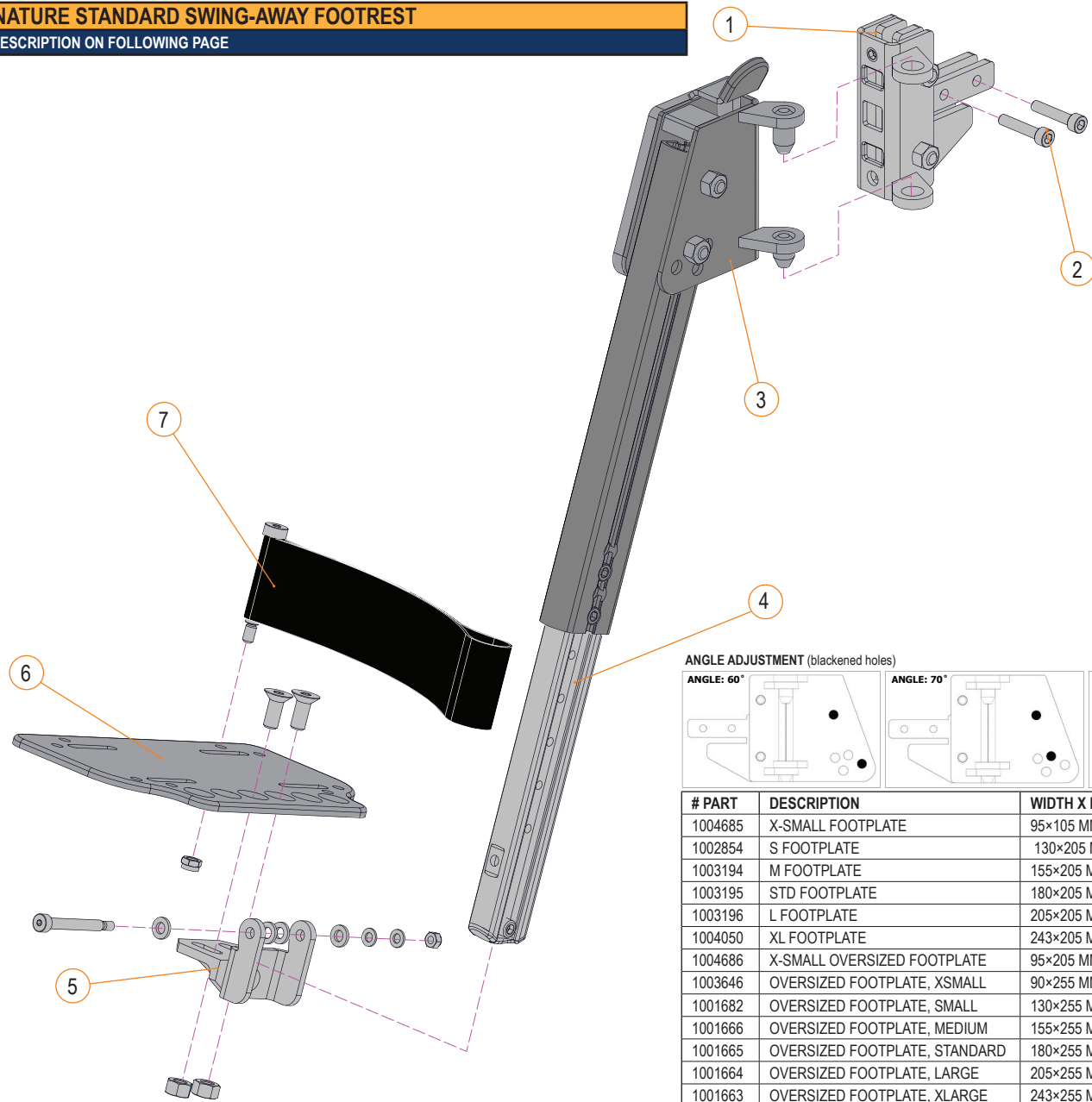


# PART	DESCRIPTION	WIDTH X DEPTH	SEAT WIDTH
A9241	XSMALL FOOTPLATE	90 MM (3.5 IN) W X 205 MM (8 IN) D	280-330 MM (11-13 IN)
1002854	SMALL FOOTPLATE	130 MM (5 IN) W X 205 MM (8 IN) D	355-380 MM (14-15 IN)
1003194	MEDIUM FOOTPLATE	155 MM (6 IN) W X 205 MM (8 IN) D	405-430 MM (16-17 IN)
1003195	STANDARD FOOTPLATE	180 MM (7 IN) W X 205 MM (8 IN) D	455-485 MM (18-19 IN)
1003196	LARGE FOOTPLATE	205 MM (8 IN) W X 205 MM (8 IN) D	510-560 MM (20-22 IN)
1004050	X LARGE FOOTPLATE	243 MM (9.5 IN) W X 205 MM (8 IN) D	585-710 MM (23-28 IN)
1003646	OVERSIZED FOOTPLATE, X-SMALL	90 MM (3.5 IN) W X 255 MM (10 IN) D	280-330 MM (11-13 IN)
1001682	OVERSIZED FOOTPLATE, SMALL	130 MM (5 IN) W X 255 MM (10 IN) D	355-380 MM (14-15 IN)
1001666	OVERSIZED FOOTPLATE, MEDIUM	155 MM (6 IN) W X 255 MM (10 IN) D	405-430 MM (16-17 IN)
1001665	OVERSIZED FOOTPLATE, STANDARD	180 MM (7 IN) W X 255 MM (10 IN) D	455-485 MM (18-19 IN)
1001664	OVERSIZED FOOTPLATE, LARGE	205 MM (8 IN) W X 255 MM (10 IN) D	510-560 MM (20-22 IN)
1001663	OVERSIZED FOOTPLATE, X-LARGE	243 MM (9.5 IN) W X 255 MM (10 IN) D	585-710 MM (23-28 IN)

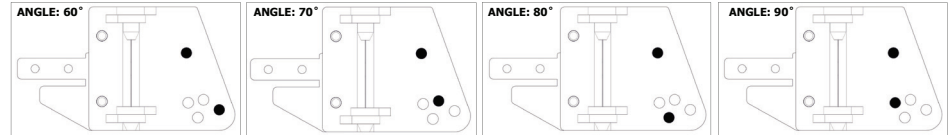
**STANDARD SWING-AWAY FOOTREST**

ITEM #	PART #	DESCRIPTION	EFFECTIVE
1-3	C-9249	STD LEG REST RECEIVER	2010-03-08
5A	A9237	STD LEG REST, UPPER TUBE, 143 MM TO 268 MM (5.5 IN-10.5 IN)	2010-03-08
5B	A9272	STD LEG REST, UPPER TUBE, 268 MM TO 395 MM (10.5 IN-15.5 IN)	2010-03-08
5C	A9273	STD LEG REST, UPPER TUBE, 368 MM TO 495 MM (14.5 IN-19.5 IN)	2010-03-08
6A	A9238	STD LEG REST, LOWER TUBE, 143 MM TO 268 MM (5.5 IN-10.5 IN)	2010-03-08
6B	A92120	STD LEGREST, LOWER TUBE, 215 MM TO 265MM (8.5 IN-10.5IN)	2010-03-08
6C	A9240	STD LEG REST, LOWER TUBE, 265 MM TO 495MM (10.5 IN-19.5IN)	2010-03-08
7A	C-92100	PED FIXED FOOTPLATE ADAPTER KIT	2008-05-20
7B	C-9275	PEDIATRIC ANGLE ADJUSTABLE FOOTPLATE ADAPTER KIT, LEFT HAND	2008-05-20
7C	C-9274	PEDIATRIC ANGLE ADJUSTABLE FOOTPLATE ADAPTER KIT, RIGHT HAND	2008-05-20
7D	C-92189	KIT, FIXED ANGLE ADAPTER FOR ADULT STD FOOTPLATE	2012-01-10
7E	C-92190	ADULT ANGLE ADJUSTABLE STD FOOTPLATE ADAPTER KIT	2012-01-10
8A	A9241	XSMALL FOOTPLATE, 90 MM (3.5 IN) W X 205 MM (8 IN) D	2008-04-30
8B	1002854	S FOOTPLATE, 130 MM (5 IN) W X 205 MM (8 IN) D	2022-08-08
8C	1003194	M FOOTPLATE, 155 MM (6 IN) W X 205 MM (8 IN) D	2022-08-08
8D	1003195	STD FOOTPLATE, 180 MM (7 IN) W X 205 MM (8 IN) D	2022-08-08
8E	1003196	L FOOTPLATE, 205 MM (8 IN) W X 205 MM (8 IN) D	2022-08-08
8F	1004050	X L FOOTPLATE, 243 MM (9.5 IN) W X 205 MM (8 IN) D	2022-08-08
8G	1003646	OVERSIZED FOOTPLATE, XSMALL, 90 MM (3.5 IN) W X 255 MM (10 IN) D	2020-07-22
8H	1001682	OVERSIZED FOOTPLATE, SMALL, 130 MM (5 IN) W X 255 MM (10 IN) D	2020-07-22
8I	1001666	OVERSIZED FOOTPLATE, MEDIUM, 155 MM (6 IN) W X 255 MM (10 IN) D	2020-07-22
8J	1001665	OVERSIZED FOOTPLATE, STANDARD, 180 MM (7 IN) W X 255 MM (10 IN) D	2020-07-22
8K	1001664	OVERSIZED FOOTPLATE, LARGE, 205 MM (8 IN) W X 255 MM (10 IN) D	2020-01-03
8L	1001663	OVERSIZED FOOTPLATE, X-LARGE, 243 MM (9.5 IN) W X 255 MM (10 IN) D	2020-07-22
9A	1001397	HEEL LOOP ASSEMBLY - STANDARD	2021-02-01
9B	1001398	HEEL LOOP ASSEMBLY - LARGE SIZE	2021-02-01
4A, 5A, 6A	C-9260	STD LEG REST, 143 MM TO 193 MM (5.5 IN-7.5 IN), LEFT HAND	2010-03-08
4B, 5A, 6A	C-9258	STD LEG REST, 143 MM TO 193 MM (5.5 IN-7.5 IN), RIGHT HAND	2010-03-08
4C, 5A, 6B	C-9261	STD LEG REST, 218 MM TO 268 MM (8.5 IN-10.5 IN), LEFT HAND	2010-03-08
4D, 5A, 6B	C-9259	STD LEG REST, 218 MM TO 268 MM (8.5 IN-10.5 IN), RIGHT HAND	2010-03-08
4E, 5B, 6C	C-92102	STD LEG REST, 268 MM TO 395 MM (10.5 IN-15.5 IN), LEFT HAND	2010-03-08
4F, 5B, 6C	C-92103	STD LEG REST, 268 MM TO 395 MM (10.5 IN-15.5 IN), RIGHT HAND	2010-03-08
4G, 5C, 6C	C-9250	STD LEG REST, 368 MM TO 495 MM (14.5 IN-19.5 IN), LEFT HAND	2010-03-08
4H, 5C, 6C	C-9251	STD LEG REST, 368 MM TO 495 MM (14.5 IN-19.5 IN), RIGHT HAND	2010-03-08
1-3,4A,5A,6A	C-9262	STD LEG REST KIT, 143 MM TO 193 MM (5.5 IN-7.5 IN), LEFT HAND	2010-03-08
1-3,4B,5A,6A	C-9264	STD LEG REST KIT, 143 MM TO 193 MM (5.5 IN-7.5 IN), RIGHT HAND	2010-03-08
1-3,4C,5A,6B	C-9263	STD LEG REST KIT, 218 MM TO 268 MM (8.5 IN-10.5 IN), LEFT HAND	2010-03-08
1-3,4D,5A,6B	C-9265	STD LEG REST KIT, 218 MM TO 268 MM (8.5 IN-10.5 IN),RIGHT HAND	2010-03-08
1-3,4E,5B,6C	C-92104	STD LEG REST KIT, 268 MM TO 395 MM (10.5 IN-15.5 IN), LEFT HAND	2010-03-08
1-3,4F,5B,6C	C-92105	STD LEG REST KIT, 268 MM TO 395 MM (10.5 IN-15.5 IN), RIGHT HAND	2010-03-08
1-3 ,4G,5C,6C	C-9252	STD LEG REST KIT, 368 MM TO 495 MM (14.5 IN-19.5 IN), LEFT HAND	2010-03-08
1-3,4H,5C,6C	C-9253	STD LEG REST KIT, 368 MM TO 495 MM (14.5 IN-19.5 IN), RIGHT HAND	2010-03-08

**SIGNATURE STANDARD SWING-AWAY FOOTREST**  
 SEE DESCRIPTION ON FOLLOWING PAGE



ANGLE ADJUSTMENT (blackened holes)

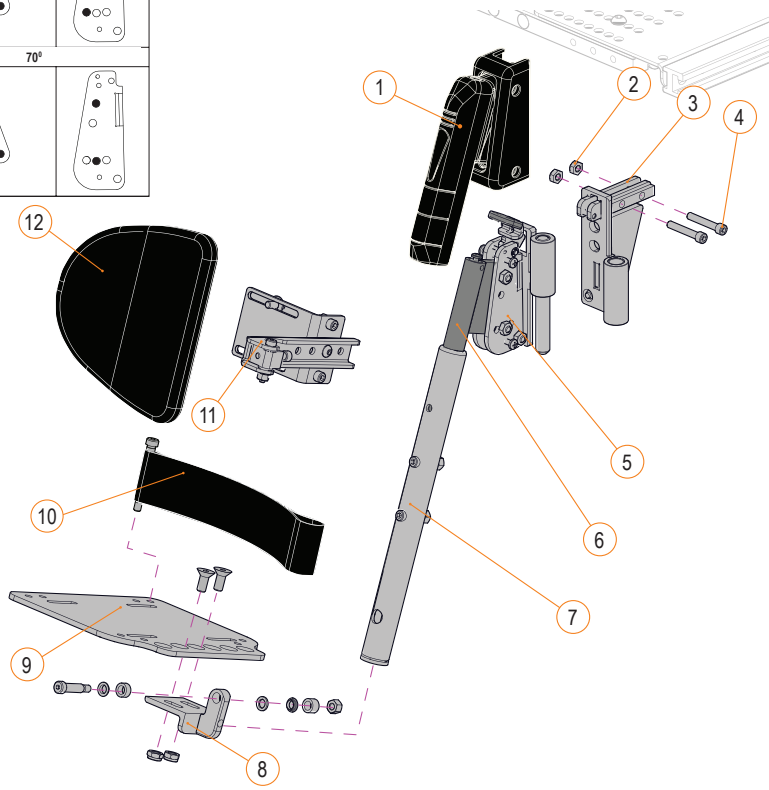
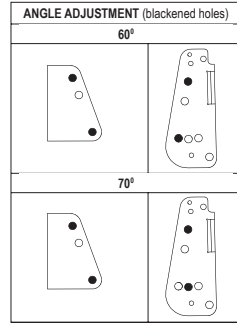


# PART	DESCRIPTION	WIDTH X DEPTH	SEAT WIDTH
1004685	X-SMALL FOOTPLATE	95×105 MM (3.75×6 IN)	280-330 MM (11-13 IN)
1002854	S FOOTPLATE	130×205 MM (5×8 IN)	355-380 MM (14-15 IN)
1003194	M FOOTPLATE	155×205 MM (6×8 IN)	405-430 MM (16-17 IN)
1003195	STD FOOTPLATE	180×205 MM (7×8 IN)	455-485 MM (18-19 IN)
1003196	L FOOTPLATE	205×205 MM (8×8 IN)	510-560 MM (20-22 IN)
1004050	XL FOOTPLATE	243×205 MM (9×8 IN)	585-710 MM (23-28 IN)
1004686	X-SMALL OVERSIZED FOOTPLATE	95×205 MM (3.75×8 IN)	280-330 MM (11-13 IN)
1003646	OVERSIZED FOOTPLATE, XSMALL	90×255 MM (3.5×10 IN)	280-330 MM (11-13 IN)
1001682	OVERSIZED FOOTPLATE, SMALL	130×255 MM (5×10 IN)	355-380 MM (14-15 IN)
1001666	OVERSIZED FOOTPLATE, MEDIUM	155×255 MM (6×10 IN)	405-430 MM (16-17 IN)
1001665	OVERSIZED FOOTPLATE, STANDARD	180×255 MM (7×10 IN)	455-485 MM (18-19 IN)
1001664	OVERSIZED FOOTPLATE, LARGE	205×255 MM (8×10 IN)	510-560 MM (20-22 IN)
1001663	OVERSIZED FOOTPLATE, XLARGE	243×255 MM (9×10 IN)	585-710 MM (23-28 IN)

STANDARD SWING-AWAY FOOTREST - SECTION 2.5.3

SIGNATURE STANDARD SWING-AWAY FOOTREST			
ITEM #	PART #	DESCRIPTION	EFFECTIVE
1A, 2	1004425-L	ASS'Y, STS FOOTREST RECEIVER, STD, LH	2023-12-01
1B, 2	1004425-R	ASS'Y, STS FOOTREST RECEIVER, STD, RH	2023-12-01
3A	1004423-L	STS UPPER EXTRUSION & HANGER, STD FTREST, SHORT LH	2023-12-01
3B	1004423-R	STS UPPER EXTRUSION & HANGER, STD FTREST, SHORT RH	2023-12-01
3C	1004424-L	STS UPPER EXTRUSION & HANGER, STD FTREST, LONG LH	2023-12-01
3D	1004424-R	STS UPPER EXTRUSION & HANGER, STD FTREST, LONG RH	2023-12-01
4	1004455	AS LEGREST LOWER EXTRUSION ASS'Y	2023-04-20
5A	1004430	AS ANGLE ADJ. FOOTPLATE SUPPORT BRACKET ASS'Y	2023-12-01
5B	1004431	AS FIXED FOOTPLATE SUPPORT BRACKET ASS'Y	2023-12-01
6A	1004685	X-SMALL, PEDIATRIC FOOTPLATE 95X106 MM (3.75X6 IN)	2023-12-01
6B	1004686	X-SMALL, O-S PED. FOOTPLATE 95X205 MM (3.75X8 IN)	2023-12-01
6C	1002854	S FOOTPLATE 130x205MM (5x8IN)	2022-08-08
6D	1003194	M FOOTPLATE 155x205MM (6x8IN)	2022-08-08
6E	1003195	STD FOOTPLATE 180x205MM (7x8IN)	2022-08-08
6F	1003196	L FOOTPLATE 205x205MM (8x8IN)	2022-08-08
6G	1004050	XL FOOTPLATE 243x205MM (9x8IN)	2022-08-08
6H	1003646	OVERSIZED FOOTPLATE, XSMALL, 90x255MM (3.5x10IN)	2021-09-14
6I	1001682	OVERSIZED FOOTPLATE, SMALL, 130x255MM (5x10IN)	2021-09-14
6J	1001666	OVERSIZED FOOTPLATE, MEDIUM, 155x255MM (6x10IN)	2021-09-14
6K	1001665	OVERSIZED FOOTPLATE, STANDARD, 180x255MM (7x10IN)	2021-09-14
6L	1001664	OVERSIZED FOOTPLATE, LARGE, 205x255MM (8x10IN)	2021-09-14
6M	1001663	OVERSIZED FOOTPLATE, XLARGE, 243x255MM (9x10IN)	2021-09-14
7A	1001397	HEEL LOOP ASSEMBLY - STANDARD	2020-07-01
7B	1001398	HEEL LOOP ASSEMBLY - LARGE SIZE	2020-07-01
3A, 4	1004749-L	STS STD FOOTREST, 318 TO 445MM (12.5 -17.5 IN), LH	2023-12-01
3B, 4	1004749-R	STS STD FOOTREST, 318 TO 445 MM (12.5 -17.5 IN), RH	2023-12-01
3C, 4	1004750-L	STS STD FOOTREST, 368 TO 495 MM (14.5 -19.5 IN), LH	2023-12-01
3D, 4	1004750-R	STS STD FOOTREST, 368 TO 495 MM (14.5 -19.5 IN), RH	2023-12-01
1A, 2, 3A, 4	1004751-L	STS STD FOOTREST ASS'Y, 320-445MM (12.5-17.5 IN) LH	2023-12-01
1B, 2, 3B, 4	1004751-R	STS STD FOOTREST ASS'Y, 320-445MM (12.5-17.5 IN) RH	2023-12-01
1A, 2, 3C, 4	1004752-L	AS STD FOOTREST ASS'Y, 370-495MM (14.5-19.5 IN) LH	2023-12-01
1B, 2, 3D, 4	1004752-R	STS STD FOOTREST ASS'Y, 370-495MM (14.5-19.5 IN) RH	2023-12-01

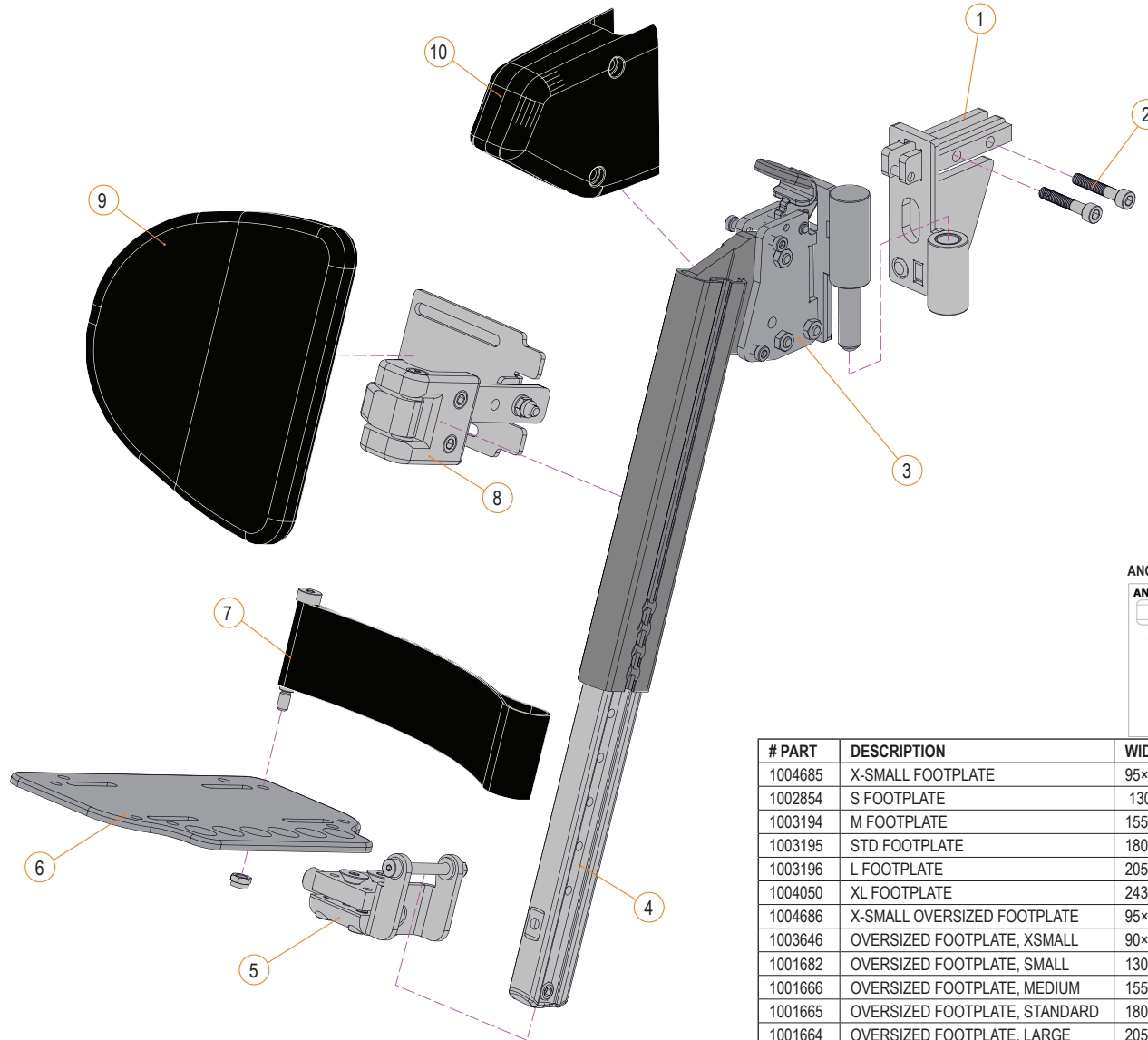
HEAVY DUTY SWING-AWAY FOOTREST - SECTION 2.5.4



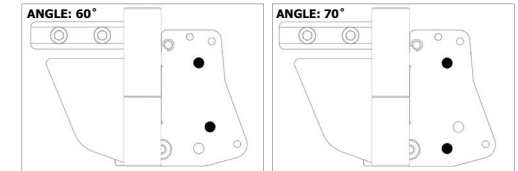
# PART	DESCRIPTION	WIDTH X DEPTH	SEAT WIDTH
A9241	XSMALL FOOTPLATE	90 MM (3.5 IN) W X 205 MM (8 IN) D	280-330 MM (11-13 IN)
1002854	SMALL FOOTPLATE	130 MM (5 IN) W X 205 MM (8 IN) D	355-380 MM (14-15 IN)
1003194	MEDIUM FOOTPLATE	155 MM (6 IN) W X 205 MM (8 IN) D	405-430 MM (16-17 IN)
1003195	STANDARD FOOTPLATE	180 MM (7 IN) W X 205 MM (8 IN) D	455-485 MM (18-19 IN)
1003196	LARGE FOOTPLATE	205 MM (8 IN) W X 205 MM (8 IN) D	510-560 MM (20-22 IN)
1004050	X LARGE FOOTPLATE	243 MM (9.5 IN) W X 205 MM (8 IN) D	585-710 MM (23-28 IN)
1003646	OVERSIZED FOOTPLATE, X-SMALL	90 MM (3.5 IN) W X 255 MM (10 IN) D	280-330 MM (11-13 IN)
1001682	OVERSIZED FOOTPLATE, SMALL	130 MM (5 IN) W X 255 MM (10 IN) D	355-380 MM (14-15 IN)
1001666	OVERSIZED FOOTPLATE, MEDIUM	155 MM (6 IN) W X 255 MM (10 IN) D	405-430 MM (16-17 IN)
1001665	OVERSIZED FOOTPLATE, STANDARD	180 MM (7 IN) W X 255 MM (10 IN) D	455-485 MM (18-19 IN)
1001664	OVERSIZED FOOTPLATE, LARGE	205 MM (8 IN) W X 255 MM (10 IN) D	510-560 MM (20-22 IN)
1001663	OVERSIZED FOOTPLATE, X-LARGE	243 MM (9.5 IN) W X 255 MM (10 IN) D	585-710 MM (23-28 IN)

HEAVY DUTY SWING-AWAY FOOTREST			
ITEM #	PART #	DESCRIPTION	EFFECTIVE
1	C-92173	PROTECTION PAD HD FOOT REST	2011-08-19
6A	A92150	HD LEGREST, UPPER TUBE, 318 MM TO 395 MM (12.5 IN-15.5 IN)	2011-08-19
6B	A92130	HD LEGREST, UPPER TUBE, 368 MM TO 495 MM (14.5 IN-19.5 IN)	2011-08-19
7A	A92152	LEFT HAND, HD LEGREST, LOWER TUBE, 318 MM TO 395 MM (12.5 IN-15.5 IN)	2011-08-19
7B	A92151	RIGHT HAND, HD LEGREST, LOWER TUBE, 318 MM TO 395 MM (12.5 IN-15.5 IN)	2011-08-19
7C	A92140	LEFT HAND, HD LEGREST, LOWER TUBE, 368 MM TO 495 MM (14.5 IN-19.5 IN)	2011-08-19
7D	A92135	RIGHT HAND, HD LEGREST, LOWER TUBE, 368 MM TO 495 MM (14.5 IN-19.5 IN)	2011-08-19
8A	C-92172	KIT, FIXED ANGLE ADAPTER FOR ADULT HD FOOTPLATE	2012-01-10
8B	C-92170	ADULT ANGLE ADJUSTABLE HD FOOTPLATE ADAPTER KIT	2012-01-10
9A	A9241	XSMALL FOOTPLATE, 90 MM (3.5 IN) W X 205 MM (8 IN) D	2008-04-30
9B	1002854	S FOOTPLATE, 130 MM (5 IN) W X 205 MM (8 IN) D	2022-08-08
9C	1003194	M FOOTPLATE, 155 MM (6 IN) W X 205 MM (8 IN) D	2022-08-08
9D	1003195	STD FOOTPLATE, 180 MM (7 IN) W X 205 MM (8 IN) D	2022-08-08
9E	1003196	L FOOTPLATE, 205 MM (8 IN) W X 205 MM (8 IN) D	2022-08-08
9F	1004050	X L FOOTPLATE, 243 MM (9.5 IN) W X 205 MM (8 IN) D	2022-08-08
9G	1003646	OVERSIZED FOOTPLATE, XSMALL, 90 MM (3.5 IN) W X 255 MM (10 IN) D	2020-07-22
9H	1001682	OVERSIZED FOOTPLATE, SMALL, 130 MM (5 IN) W X 255 MM (10 IN) D	2020-07-22
9I	1001666	OVERSIZED FOOTPLATE, MEDIUM, 155 MM (6 IN) W X 255 MM (10 IN) D	2020-07-22
9J	1001665	OVERSIZED FOOTPLATE, STANDARD, 180 MM (7 IN) W X 255 MM (10 IN) D	2020-07-22
9K	1001664	OVERSIZED FOOTPLATE, LARGE, 205 MM (8 IN) W X 255 MM (10 IN) D	2020-01-03
9L	1001663	OVERSIZED FOOTPLATE, X-LARGE, 243 MM (9.5 IN) W X 255 MM (10 IN) D	2020-07-22
10A	1001397	HEEL LOOP ASSEMBLY - STANDARD	2021-02-01
10B	1001398	HEEL LOOP ASSEMBLY - LARGE SIZE	2021-02-01
11A	C-92210	STD CALF PAD MOUNTING BRACKET	2014-01-16
11B	C-92209	HD CALF PAD MOUNTING BRACKET	2014-01-16
12A	H00112	CALF PAD, SMALL, 130 MM X 155 MM (5 IN X 6 IN)	2015-04-13
12B	H00111	CALF PAD, MEDIUM, 155 MM X 180 MM (6 IN X 7 IN)	2015-04-13
12C	H00113	CALF PAD, LARGE, 205 MM X 180 MM (8 IN X 7 IN)	2015-04-13
12D	H00114	CALF PAD, EXTRA LARGE, 155 MM X 180 MM (10 IN X 8 IN)	2015-04-13
2,3A,4	C-92178	HD LEGREST RECEIVER, LEFT HAND	2011-08-19
2,3B,4	C-92177	HD LEGREST RECEIVER, RIGHT HAND	2011-08-19
1,5A,6A,7A	C-92182	HD LEGREST, 318 MM TO 395 MM (12.5 IN-15.5 IN), LEFT HAND	2011-08-19
1,5B,6A,7B	C-92181	HD LEGREST, 318 MM TO 395 MM (12.5 IN-15.5 IN), RIGHT HAND	2011-08-19
1,5A,6B,7C	C-92180	HD LEGREST, 368 MM TO 495 MM (14.5 IN-19.5 IN), LEFT HAND	2011-08-19
1,5B,6B,7D	C-92179	HD LEGREST, 368 MM TO 495 MM (14.5 IN-19.5 IN), RIGHT HAND	2011-08-19
1, 2, 3A, 4, 5A, 6A, 7A	C-92184	HD LEGREST KIT, LH, 318-395MM (12.5-15.5IN)	2011-08-19
1, 2, 3B, 4, 5B, 6A, 7B	C-92183	HD LEGREST KIT, 318 MM TO 395 MM (12.5 IN-15.5 IN), RIGHT HAND	2011-08-19
1, 2, 3A, 4, 5A, 6B, 7C	C-92169	HD LEGREST KIT, 368 MM TO 495 MM (14.5 IN-19.5 IN), LEFT HAND	2011-08-19
1, 2, 3B, 4, 5B, 6B, 7D	C-92168	HD LEGREST KIT, 368 MM TO 495 MM (14.5 IN-19.5 IN), RIGHT HAND	2011-08-19
1, 2, 3A, 4, 5A, 6E, 7E	1004000	STUMP SUPPORT, LEFT	2022-01-01
1, 2, 3B, 4, 5B, 6E, 7E	1004001	STUMP SUPPORT, RIGHT	2022-01-01

**SIGNATURE HEAVY DUTY SWING-AWAY FOOTREST**  
 SEE DESCRIPTION ON FOLLOWING PAGE



ANGLE ADJUSTMENT (blackened holes)

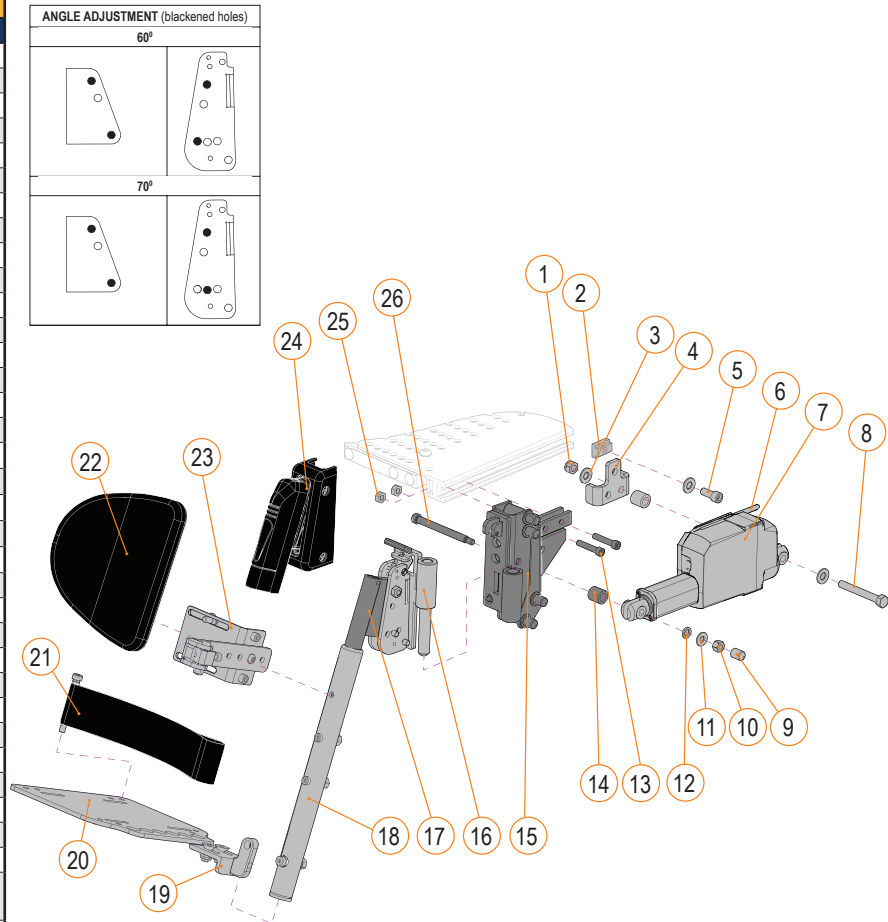


# PART	DESCRIPTION	WIDTH X DEPTH	SEAT WIDTH
1004685	X-SMALL FOOTPLATE	95x105 MM (3.75x6 IN)	280-330 MM (11-13 IN)
1002854	S FOOTPLATE	130x205 MM (5x8 IN)	355-380 MM (14-15 IN)
1003194	M FOOTPLATE	155x205 MM (6x8 IN)	405-430 MM (16-17 IN)
1003195	STD FOOTPLATE	180x205 MM (7x8 IN)	455-485 MM (18-19 IN)
1003196	L FOOTPLATE	205x205 MM (8x8 IN)	510-560 MM (20-22 IN)
1004050	XL FOOTPLATE	243x205 MM (9x8 IN)	585-710 MM (23-28 IN)
1004686	X-SMALL OVERSIZED FOOTPLATE	95x205 MM (3.75x8 IN)	280-330 MM (11-13 IN)
1003646	OVERSIZED FOOTPLATE, XSMALL	90x255 MM (3.5x10 IN)	280-330 MM (11-13 IN)
1001682	OVERSIZED FOOTPLATE, SMALL	130x255 MM (5x10 IN)	355-380 MM (14-15 IN)
1001666	OVERSIZED FOOTPLATE, MEDIUM	155x255 MM (6x10 IN)	405-430 MM (16-17 IN)
1001665	OVERSIZED FOOTPLATE, STANDARD	180x255 MM (7x10 IN)	455-485 MM (18-19 IN)
1001664	OVERSIZED FOOTPLATE, LARGE	205x255 MM (8x10 IN)	510-560 MM (20-22 IN)
1001663	OVERSIZED FOOTPLATE, XLARGE	243x255 MM (9x10 IN)	585-710 MM (23-28 IN)

HEAVY DUTY SWING-AWAY FOOTREST - SECTION 2.5.4

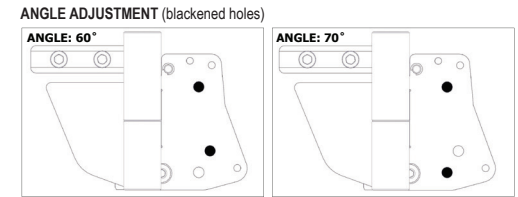
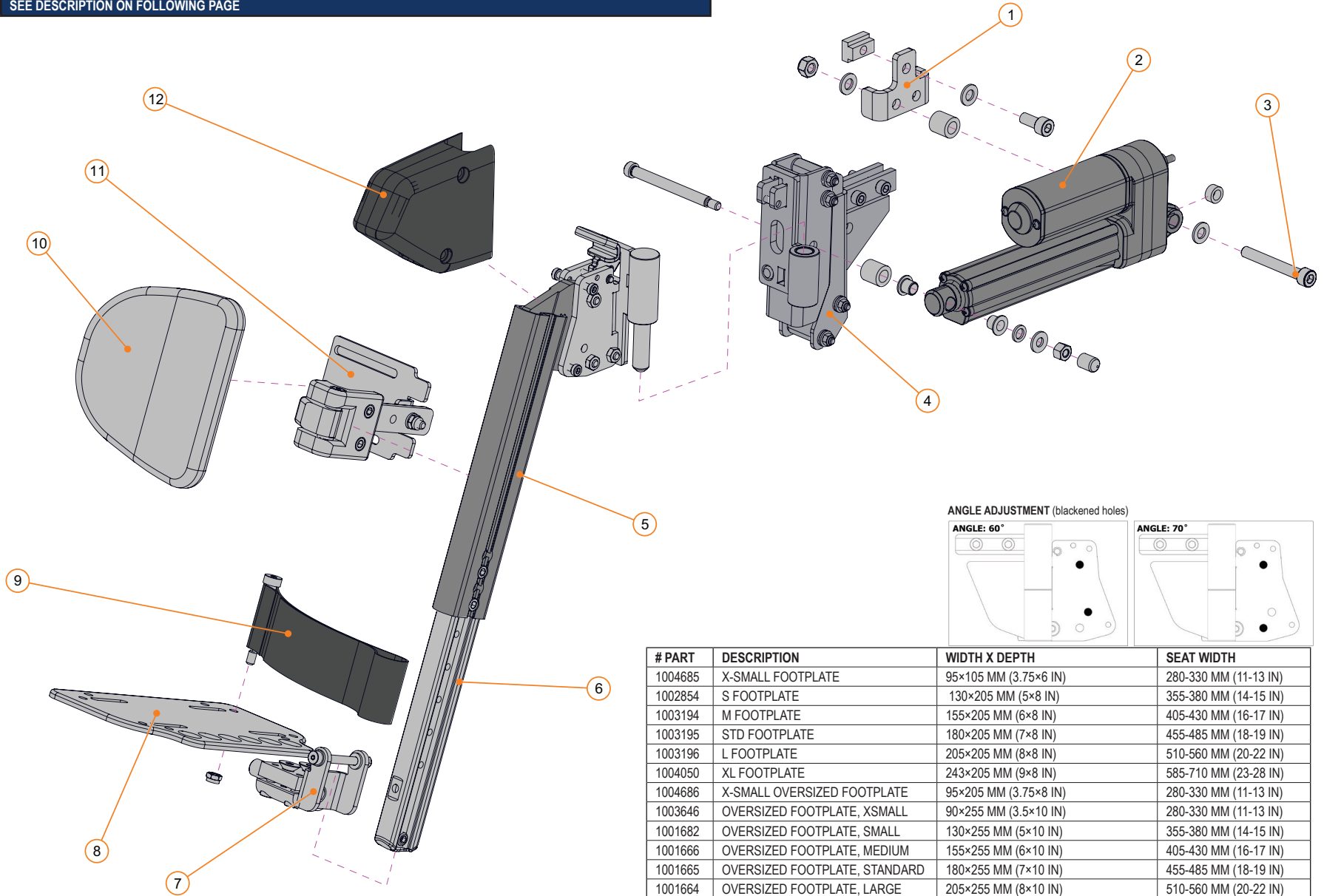
SIGNATURE HEAVY DUTY SWING-AWAY FOOTREST							
ITEM #	PART #	DESCRIPTION	EFFECTIVE	ITEM #	PART #	DESCRIPTION	EFFECTIVE
1A, 2	1004428-L	ASSY, STS FOOTREST RECEIVER, HD, LH	2023-12-01	10	1004432	PROTECTION PAD, AS HD FOOTREST	2023-12-01
1B, 2	1004428-R	ASSY, STS FOOTREST RECEIVER, HD, RH	2023-12-01	3A, 4, 10	1004747-L	STS HD FOOTREST, 318 TO 445MM (12.5 - 17.5 IN), LH	2023-12-01
3A, 10	1004426-L	STS UPPER EXTRUSION & HANGER HD FOOTREST, SHORT LH	2023-12-01	3B, 4, 10	1004747-R	STS HD FOOTREST, 318 TO 445MM (12.5 - 17.5 IN), RH	2023-12-01
3B, 10	1004426-R	STS UPPER EXTRUSION & HANGER HD FOOTREST, SHORT RH	2023-12-01	3C, 4, 10	1004748-L	STS HD FOOTREST, 368 TO 495MM (14.5 - 19.5 IN), LH	2023-12-01
3C, 10	1004427-L	AS UPPER EXTRUSION & HANGER, HD FTREST, LONG LH (370-495MM, 14.5-19.5IN)	2023-12-01	3D, 4, 10	1004748-R	STS HD FOOTREST, 368 TO 495MM (14.5 - 19.5 IN), RH	2023-12-01
3D, 10	1004427-R	AS UPPER EXTRUSION & HANGER, HD FTREST, LONG RH (370-495MM, 14.5-19.5IN)	2023-12-01	1A, 2, 3A, 4, 10	1004753-L	STS HD FOOTREST ASSY, 318-445 MM (12.5-17.5 IN) LH	2023-12-01
4	1004455	STS LEGREST LOWER EXTRUSION ASSY	2023-04-20	1B, 2, 3B, 4, 10	1004753-R	STS HD FOOTREST ASSY, 318-445 MM (12.5-17.5 IN) RH	2023-12-01
5A	1004430	STS ANGLE ADJ. FOOTPLATE SUPPORT BRACKET ASSY	2023-12-01	1A, 2, 3C, 4, 10	1004754-L	STS HD FOOTREST ASSY, 368-495 MM (14.5-19.5 IN) LH	2023-12-01
5B	1004431	STS FIXED FOOTPLATE SUPPORT BRACKET ASSY	2023-12-01	1B, 2, 3D, 4, 10	1004754-R	STS HD FOOTREST ASSY, 368-495 MM (14.5-19.5 IN) RH	2023-12-01
6A	1004686	X-SMALL, O-S PED. FOOTPLATE 95X205 MM (3.75X8 IN)	2023-12-01				
6B	1002854	S FOOTPLATE 130x205MM (5x8IN)	2022-08-08				
6C	1003194	M FOOTPLATE 155x205MM (6x8IN)	2022-08-08				
6D	1003195	STD FOOTPLATE 180x205MM (7x8IN)	2022-08-08				
6E	1003196	L FOOTPLATE 205x205MM (8x8IN)	2022-08-08				
6F	1004050	XL FOOTPLATE 243x205MM (9x8IN)	2022-08-08				
6G	1003646	OVERSIZED FOOTPLATE, XSMALL, 90x255MM (3.5x10IN)	2021-09-14				
6H	1001682	OVERSIZED FOOTPLATE, SMALL, 130x255MM (5x10IN)	2021-09-14				
6I	1001666	OVERSIZED FOOTPLATE, MEDIUM, 155x255MM (6x10IN)	2021-09-14				
6J	1001665	OVERSIZED FOOTPLATE, STANDARD, 180x255MM (7x10IN)	2021-09-14				
6K	1001664	OVERSIZED FOOTPLATE, LARGE, 205x255MM (8x10IN)	2021-09-14				
6L	1001663	OVERSIZED FOOTPLATE, XLARGE, 243x255MM (9x10IN)	2021-09-14				
7A	1001397	HEEL LOOP ASSEMBLY - STANDARD	2020-07-01				
7B	1001398	HEEL LOOP ASSEMBLY - LARGE SIZE	2020-07-01				
8A	1003185-L	STS , STD CALF PAD MOUNTING BRACKET ASSY, LH	2023-12-01				
8B	1003185-R	STS , STD CALF PAD MOUNTING BRACKET ASSY, RH	2023-12-01				
8C	1004044-L	STS , HD CALF PAD MOUNTING BRACKET ASSY, LH	2023-12-01				
8D	1004044-R	STS , HD CALF PAD MOUNTING BRACKET ASSY, RH	2023-12-01				
9A	H00112	CALF PAD, SMALL, 130x155MM (5x6IN)	2022-12-12				
9B	H00111	CALF PAD, MEDIUM, 155x180MM (6x7IN)	2022-12-12				
9C	H00113	CALF PAD, LARGE, 205x180MM (8x7IN)	2022-12-12				
9D	H00114	CALF PAD, XLARGE, 255x205MM (10x8IN)	2018-09-21				

POWER ELEVATING AND ARTICULATING LEGREST			
ITEM #	PART #	DESCRIPTION	EFFECTIVE
6	D00283	LA23 ACTUATOR CABLE	2011-09-26
17A	A92150	HD LEGREST, UPPER TUBE, 318-395 MM (12.5 IN-15.5IN)	2011-08-19
17B	A92130	HD LEGREST, UPPER TUBE, 368-495 MM (14.5 IN-19.5IN)	2011-08-19
18A	A92152	HD LEGREST, LOWER TUBE LH 318-395 MM (12.5 IN-15.5IN)	2011-08-19
18B	A92151	HD LEGREST, LOWER TUBE RH 318-395 MM (12.5 IN-15.5IN)	2011-08-19
18C	A92140	HD LEGREST, LOWER TUBE LH 368-495 MM (14.5 IN-19.5IN)	2011-08-19
18D	A92135	HD LEGREST, LOWER TUBE RH 368-495 MM (14.5 IN-19.5IN)	2011-08-19
19A	C-92172	ADULT FIXED HD FOOTPLATE ADAPTER KIT	2012-01-10
19B	C-92170	ADULT ANGLE ADJUSTABLE HD FOOTPLATE ADAPTER KIT	2012-01-10
20A	A9241	XSMALL FOOTPLATE, 90 MM (3.5 IN) W X 205 MM (8 IN) D	2008-04-30
20B	1002854	S FOOTPLATE, 130 MM (5 IN) W X 205 MM (8 IN) D	2022-08-08
20C	1003194	M FOOTPLATE, 155 MM (6 IN) W X 205 MM (8 IN) D	2022-08-08
20D	1003195	STD FOOTPLATE, 180 MM (7 IN) W X 205 MM (8 IN) D	2022-08-08
20E	1003196	L FOOTPLATE, 205 MM (8 IN) W X 205 MM (8 IN) D	2022-08-08
20F	1004050	X L FOOTPLATE, 243 MM (9.5 IN) W X 205 MM (8 IN) D	2022-08-08
20G	1003646	OVERSIZED FOOTPLATE, XSMALL, 90 MM (3.5 IN) W X 255 MM (10 IN) D	2020-07-22
20H	1001682	OVERSIZED FOOTPLATE, SMALL, 130 MM (5 IN) W X 255 MM (10 IN) D	2020-07-22
20I	1001666	OVERSIZED FOOTPLATE, MEDIUM, 155 MM (6 IN) W X 255 MM (10 IN) D	2020-07-22
20J	1001665	OVERSIZED FOOTPLATE, STANDARD, 180 MM (7 IN) W X 255 MM (10 IN) D	2020-07-22
20K	1001664	OVERSIZED FOOTPLATE, LARGE, 205 MM (8 IN) W X 255 MM (10 IN) D	2020-01-03
20L	1001663	OVERSIZED FOOTPLATE, X-LARGE, 243 MM (9.5 IN) W X 255 MM (10 IN) D	2020-07-22
21A	1001397	HEEL LOOP ASSEMBLY - STANDARD	2021-02-01
21B	1001398	HEEL LOOP ASSEMBLY - LARGE SIZE	2021-02-01
22A	H00112	CALF PAD, SMALL, 130 MM X 155 MM (5 IN X 6 IN)	2015-04-13
22B	H00111	CALF PAD, MEDIUM, 155 MM X 180 MM (6 IN X 7 IN)	2015-04-13
22C	H00113	CALF PAD, LARGE, 205 MM X 180 MM (8 IN X 7 IN)	2015-04-13
22D	H00114	CALF PAD, EXTRA LARGE, 155 MM X 180 MM (10 IN X 8 IN)	2015-04-13
23A	C-92210	STD CALF PAD MOUNTING BRACKET	2014-01-16
23B	C-92209	HD CALF PAD MOUNTING BRACKET	2014-01-16
24	C-92173	PROTECTION PAD HD FOOT REST	2011-08-19
6,7	R00046	ACTUATOR, STROKE 115 MM 1500N	2011-09-26
13,15A,25	C-92175	LH ARTICULATING RECEIVER	2011-06-21
13,15B,25	C-92174	RH ARTICULATING RECEIVER	2011-06-21
1-6,7B,8-14,15A,16A,17A,18A,24-26	S-0231	POWER LEGREST, 300 LBS, LH, 318 MM TO 395 MM (12.5-15.5IN)	2011-08-31
1-6,7B,8-14,15B,16B,17A,18B,24-26	S-0232	POWER LEGREST, 300 LBS, RH, 318 MM TO 395 MM (12.5-15.5IN)	2011-08-31
1-6,7B,8-14,15A,16A,17B,18C,24-26	S-0233	POWER LEGREST, 300 LBS, LH, 368 MM TO 495 MM (14.5-19.5IN)	2011-08-31
1-6,7B,8-14,15B,16B,17B,18D,24-26	S-0234	POWER LEGREST, 300 LBS, RH, 368 MM TO 495 MM (14.5-19.5IN)	2011-08-31
1-6,7A,8-14,15A,16A,17A,18A,24-26	S-0226	POWER LEGREST, 550 LBS, LH, 318 MM TO 395 MM (12.5-15.5IN)	2011-08-31
1-6,7A,8-14,15B,16B,17A,18B,24-26	S-0228	POWER LEG REST, 550 LBS, RH, 318 MM TO 395 MM (12.5-15.5IN)	2011-08-31
1-6,7A,8-14,15A,16A,17B,18C,24-26	S-0227	POWER LEGREST, 550 LBS, LH, 368 MM TO 495 MM (14.5-19.5IN)	2011-08-31
1-6,7A,8-14,15B,16B,17B,18D,24-26	S-0229	POWER LEGREST, 550 LBS, RH, 368 MM TO 495 MM (14.5-19.5IN)	2011-08-31



# PART	DESCRIPTION	WIDTH X DEPTH	SEAT WIDTH
A9241	XSMALL FOOTPLATE	90 MM (3.5 IN) W X 205 MM (8 IN) D	280-330 MM (11-13 IN)
1002854	SMALL FOOTPLATE	130 MM (5 IN) W X 205 MM (8 IN) D	355-380 MM (14-15 IN)
1003194	MEDIUM FOOTPLATE	155 MM (6 IN) W X 205 MM (8 IN) D	405-430 MM (16-17 IN)
1003195	STANDARD FOOTPLATE	180 MM (7 IN) W X 205 MM (8 IN) D	455-485 MM (18-19 IN)
1003196	LARGE FOOTPLATE	205 MM (8 IN) W X 205 MM (8 IN) D	510-560 MM (20-22 IN)
1004050	X LARGE FOOTPLATE	243 MM (9.5 IN) W X 205 MM (8 IN) D	585-710 MM (23-28 IN)
1003646	OVERSIZED FOOTPLATE, X-SMALL	90 MM (3.5 IN) W X 255 MM (10 IN) D	280-330 MM (11-13 IN)
1001682	OVERSIZED FOOTPLATE, SMALL	130 MM (5 IN) W X 255 MM (10 IN) D	355-380 MM (14-15 IN)
1001666	OVERSIZED FOOTPLATE, MEDIUM	155 MM (6 IN) W X 255 MM (10 IN) D	405-430 MM (16-17 IN)
1001665	OVERSIZED FOOTPLATE, STANDARD	180 MM (7 IN) W X 255 MM (10 IN) D	455-485 MM (18-19 IN)
1001664	OVERSIZED FOOTPLATE, LARGE	205 MM (8 IN) W X 255 MM (10 IN) D	510-560 MM (20-22 IN)
1001663	OVERSIZED FOOTPLATE, X-LARGE	243 MM (9.5 IN) W X 255 MM (10 IN) D	585-710 MM (23-28 IN)

**SIGNATURE POWER ELEVATING & ARTICULATING SWING-AWAY LEGREST**  
 SEE DESCRIPTION ON FOLLOWING PAGE

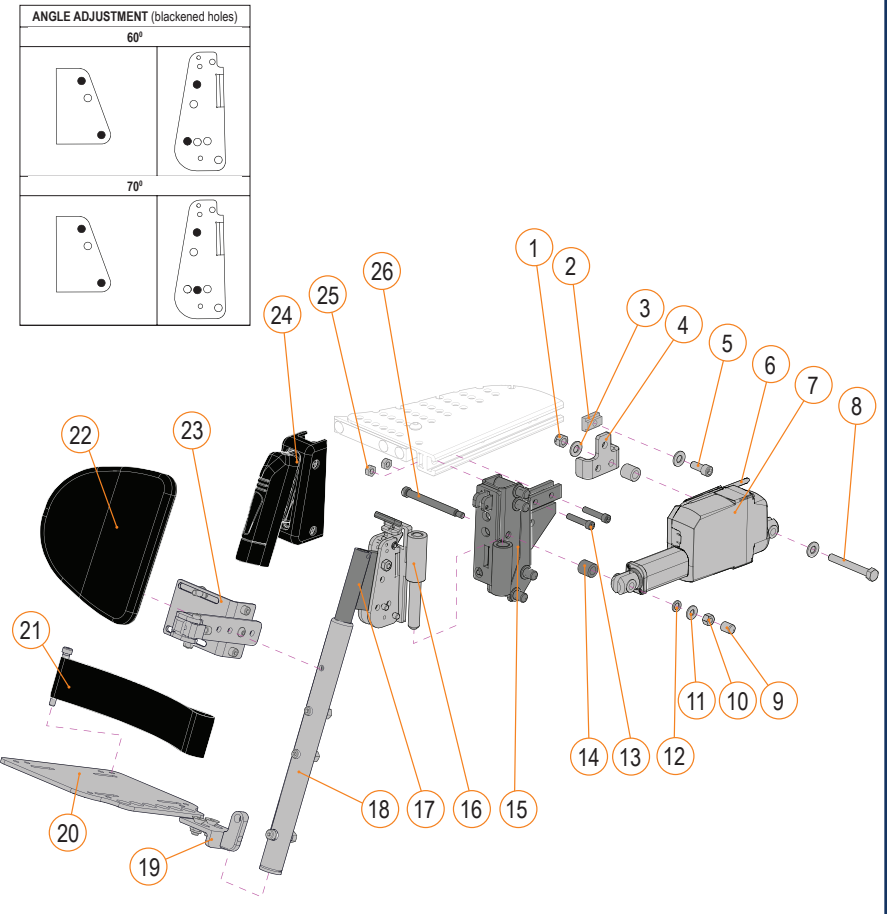


# PART	DESCRIPTION	WIDTH X DEPTH	SEAT WIDTH
1004685	X-SMALL FOOTPLATE	95x105 MM (3.75x6 IN)	280-330 MM (11-13 IN)
1002854	S FOOTPLATE	130x205 MM (5x8 IN)	355-380 MM (14-15 IN)
1003194	M FOOTPLATE	155x205 MM (6x8 IN)	405-430 MM (16-17 IN)
1003195	STD FOOTPLATE	180x205 MM (7x8 IN)	455-485 MM (18-19 IN)
1003196	L FOOTPLATE	205x205 MM (8x8 IN)	510-560 MM (20-22 IN)
1004050	XL FOOTPLATE	243x205 MM (9x8 IN)	585-710 MM (23-28 IN)
1004686	X-SMALL OVERSIZED FOOTPLATE	95x205 MM (3.75x8 IN)	280-330 MM (11-13 IN)
1003646	OVERSIZED FOOTPLATE, XSMALL	90x255 MM (3.5x10 IN)	280-330 MM (11-13 IN)
1001682	OVERSIZED FOOTPLATE, SMALL	130x255 MM (5x10 IN)	355-380 MM (14-15 IN)
1001666	OVERSIZED FOOTPLATE, MEDIUM	155x255 MM (6x10 IN)	405-430 MM (16-17 IN)
1001665	OVERSIZED FOOTPLATE, STANDARD	180x255 MM (7x10 IN)	455-485 MM (18-19 IN)
1001664	OVERSIZED FOOTPLATE, LARGE	205x255 MM (8x10 IN)	510-560 MM (20-22 IN)
1001663	OVERSIZED FOOTPLATE, XLARGE	243x255 MM (9x10 IN)	585-710 MM (23-28 IN)

SIGNATURE POWER ELEVATING & ARTICULATING SWING-AWAY LEGREST			
ITEM #	PART #	DESCRIPTION	EFFECTIVE
3	R00046	ACTUATOR, STROKE 115MM 1500N	2019-11-20
4A	1004429-L	ASS'Y, AS ARTICULATING LEGREST RECEIVER, LH	2023-12-01
4B	1004429-R	ASS'Y, AS ARTICULATING LEGREST RECEIVER, RH	2023-12-01
5A, 12	1004426-L	AS UPPER EXTRUSION & HANGER, HD FOOTREST, SHORT LH (320-445MM, 12.5-17.5IN)	2023-12-01
5B, 12	1004426-R	AS UPPER EXTRUSION & HANGER, HD FOOTREST, SHORT RH (320-445MM, 12.5-17.5IN)	2023-12-01
5C, 12	1004427-L	AS UPPER EXTRUSION & HANGER, HD FTREST, LONG LH (370-495MM, 14.5-19.5IN)	2023-12-01
5D, 12	1004427-R	AS UPPER EXTRUSION & HANGER, HD FTREST, LONG RH (370-495MM, 14.5-19.5IN)	2023-12-01
6	1004455	AS LEGREST LOWER EXTRUSION ASS'Y	2023-12-01
7A	1004430	AS ANGLE ADJ. FOOTPLATE SUPPORT BRACKET ASS'Y	2023-12-01
7B	1004431	AS FIXED FOOTPLATE SUPPORT BRACKET ASS'Y	2023-12-01
8A	1004686	X-SMALL, O-S PED. FOOTPLATE 95X205 MM (3.75X8 IN)	2023-12-01
8B	1002854	S FOOTPLATE 130x205MM (5x8IN)	2022-08-08
8C	1003194	M FOOTPLATE 155x205MM (6x8IN)	2022-08-08
8D	1003195	STD FOOTPLATE 180x205MM (7x8IN) (K0040)	2022-08-08
8E	1003196	L FOOTPLATE 205x205MM (8x8IN)	2022-08-08
8F	1004050	XL FOOTPLATE 243x205MM (9x8IN)	2022-08-08
8G	1003646	OVERSIZED FOOTPLATE, XSMALL, 90x255MM (3.5x10IN)	2021-09-14
8H	1001682	OVERSIZED FOOTPLATE, SMALL, 130x255MM (5x10IN)	2021-09-14
8I	1001666	OVERSIZED FOOTPLATE, MEDIUM, 155x255MM (6x10IN)	2021-09-14
8J	1001665	OVERSIZED FOOTPLATE, STANDARD, 180x255MM (7x10IN)	2021-09-14
8K	1001664	OVERSIZED FOOTPLATE, LARGE, 205x255MM (8x10IN)	2021-09-14
8L	1001663	OVERSIZED FOOTPLATE, XLARGE, 243x255MM (9x10IN)	2021-09-14
9A	1001397	HEEL LOOP ASSEMBLY - STANDARD	2020-07-01
9B	1001398	HEEL LOOP ASSEMBLY - LARGE SIZE	2020-07-01
10A	1003185-L	AS, STD CALF PAD MOUNTING BRACKET, LH	2023-12-01
10B	1003185-R	AS, STD CALF PAD MOUNTING BRACKET, RH	2023-12-01
10C	1004044-L	AS, HD CALF PAD MOUNTING BRACKET, LH	2023-12-01
10D	1004044-R	AS, HD CALF PAD MOUNTING BRACKET, RH	2023-12-01
11A	H00112	CALF PAD, SMALL, 130x155MM (5x6IN)	2022-12-12
11B	H00111	CALF PAD, MEDIUM, 155x180MM (6x7IN)	2022-12-12
11C	H00113	CALF PAD, LARGE, 205x180MM (8x7IN)	2022-12-12
11D	H00114	CALF PAD, XLARGE, 255x205MM (10x8IN)	2018-09-21
12	1004432	PROTECTION PAD, AS HD FOOTREST	2023-12-01

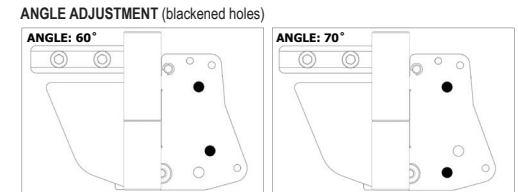
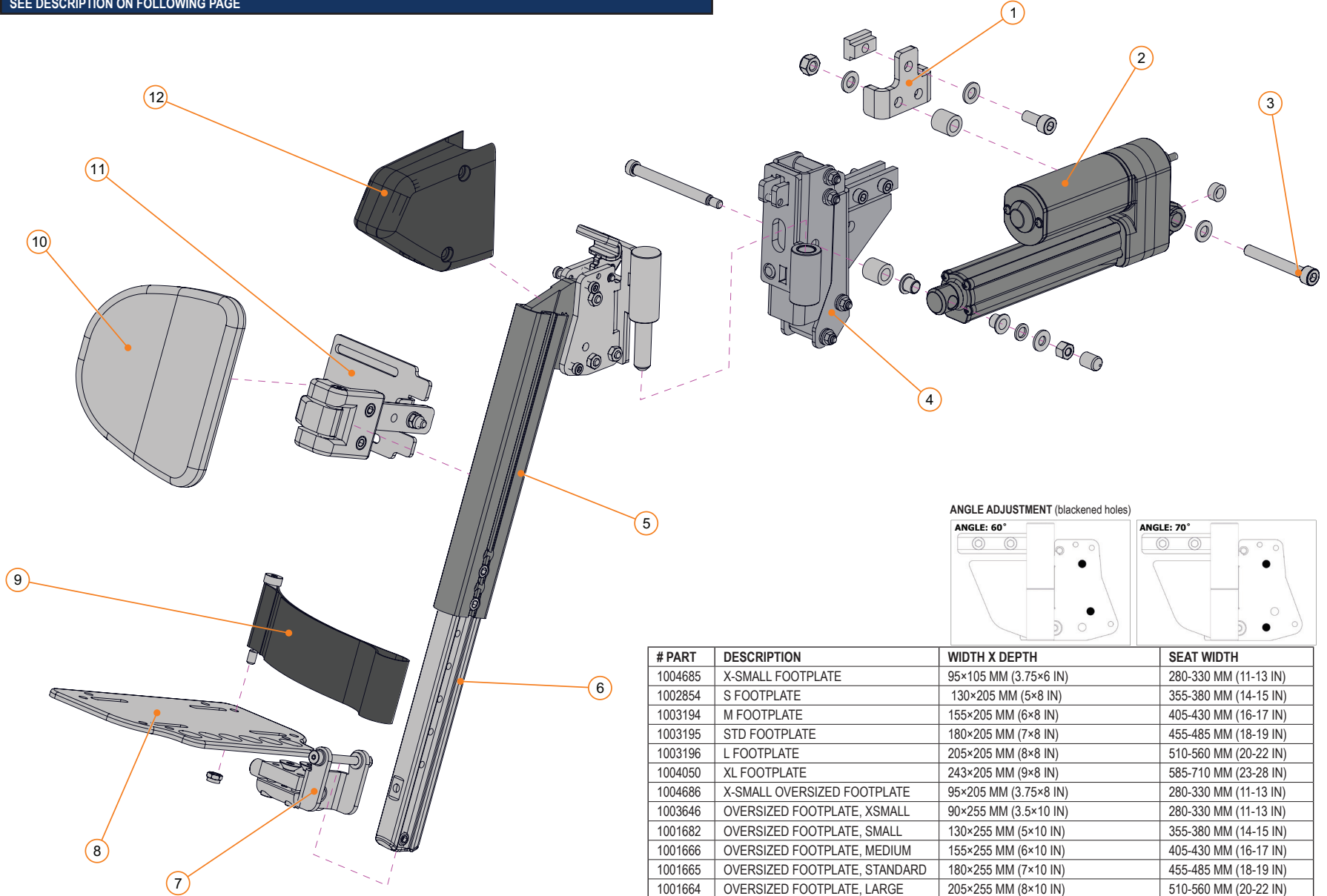
ITEM #	PART #	DESCRIPTION	EFFECTIVE
1, 2, 3A, 4A, 5A, 6, 12	1004913-L	STS PWR LEG 300LB, 318-445MM/12.5-17.5", LH	2021-12-16
1, 2, 3A, 4B, 5B, 6, 12	1004913-R	STS PWR LEG 300LB, 318-445MM/12.5-17.5", RH	2021-12-16
1, 2, 3A, 4A, 5C, 6, 12	1004914-L	STS PWR LEG 300LB, 368-495MM/14.5-19.5", LH	2021-12-16
1, 2, 3A, 4B, 5D, 6, 12	1004914-R	STS PWR LEG 300LB, 368-495MM/14.5-19.5", RH	2021-12-16
1, 2, 3B, 4A, 5A, 6, 12	1004915-L	STS PWR LEG 550LB, 318-445MM/12.5-17.5", LH	2021-12-16
1, 2, 3B, 4B, 5B, 6, 12	1004915-R	STS PWR LEG 550LB, 318-445MM/12.5-17.5", RH	2021-12-16
1, 2, 3B, 4A, 5C, 6, 12	1004916-L	STS PWR LEG 550LB, 368-495MM/14.5-19.5", LH	2021-12-16
1, 2, 3B, 4B, 5D, 6, 12	1004916-R	STS PWR LEG 550LB, 368-495MM/14.5-19.5", RH	2021-12-16

POWER ELEVATING AND ARTICULATING LEGREST - E-BX			
ITEM #	PART #	DESCRIPTION	EFFECTIVE
17A	A92150	HD LEGREST, UPPER TUBE, 268-395 MM (12.5 IN-15.5IN)	2011-08-19
17B	A92130	HD LEGREST, UPPER TUBE, 368-495 MM (14.5 IN-19.5IN)	2011-08-19
18A	A92152	HD LEGREST, LOWER TUBE LH 318-395 MM (12.5 IN-15.5IN)	2011-08-19
18B	A92151	HD LEGREST, LOWER TUBE RH 318-395 MM (12.5 IN-15.5IN)	2011-08-19
18C	A92140	HD LEGREST, LOWER TUBE LH 368-495 MM (14.5 IN-19.5IN)	2011-08-19
18D	A92135	HD LEGREST, LOWER TUBE RH 368-495 MM (14.5 IN-19.5IN)	2011-08-19
19A	C-92172	ADULT FIXED HD FOOTPLATE ADAPTER KIT	2012-01-10
19B	C-92170	ADULT ANGLE ADJUSTABLE HD FOOTPLATE ADAPTER KIT	2012-01-10
20A	A9241	XSMALL FOOTPLATE, 90 MM (3.5 IN) W X 205 MM (8 IN) D	2008-04-30
20B	1002854	S FOOTPLATE, 130 MM (5 IN) W X 205 MM (8 IN) D	2022-08-08
20C	1003194	M FOOTPLATE, 155 MM (6 IN) W X 205 MM (8 IN) D	2022-08-08
20D	1003195	STD FOOTPLATE, 180 MM (7 IN) W X 205 MM (8 IN) D	2022-08-08
20E	1003196	L FOOTPLATE, 205 MM (8 IN) W X 205 MM (8 IN) D	2022-08-08
20F	1004050	X L FOOTPLATE, 243 MM (9.5 IN) W X 205 MM (8 IN) D	2022-08-08
20G	1003646	OVERSIZED FOOTPLATE, XSMALL, 90 MM (3.5 IN) W X 255 MM (10 IN) D	2020-07-22
20H	1001682	OVERSIZED FOOTPLATE, SMALL, 130 MM (5 IN) W X 255 MM (10 IN) D	2020-07-22
20I	1001666	OVERSIZED FOOTPLATE, MEDIUM, 155 MM (6 IN) W X 255 MM (10 IN) D	2020-07-22
20J	1001665	OVERSIZED FOOTPLATE, STANDARD, 180 MM (7 IN) W X 255 MM (10 IN) D	2020-07-22
20K	1001664	OVERSIZED FOOTPLATE, LARGE, 205 MM (8 IN) W X 255 MM (10 IN) D	2020-01-03
20L	1001663	OVERSIZED FOOTPLATE, X-LARGE, 243 MM (9.5 IN) W X 255 MM (10 IN) D	2020-07-22
21A	1001397	HEEL LOOP ASSEMBLY - STANDARD	2021-02-01
21B	1001398	HEEL LOOP ASSEMBLY - LARGE SIZE	2021-02-01
22A	H00112	CALF PAD, SMALL, 130 MM X 155 MM (5 IN X 6 IN)	2015-04-13
22B	H00111	CALF PAD, MEDIUM, 155 MM X 180 MM (6 IN X 7 IN)	2015-04-13
22C	H00113	CALF PAD, LARGE, 205 MM X 180 MM (8 IN X 7 IN)	2015-04-13
22D	H00114	CALF PAD, EXTRA LARGE, 155 MM X 180 MM (10 IN X 8 IN)	2015-04-13
23A	C-92210	STD CALF PAD MOUNTING BRACKET	2014-01-16
23B	C-92209	HD CALF PAD MOUNTING BRACKET	2014-01-16
24	C-92173	PROTECTION PAD HD FOOT REST	2011-08-19
13,15A,25	C-92175	LH ARTICULATING RECEIVER	2011-06-21
13,15B,25	C-92174	RH ARTICULATING RECEIVER	2011-06-21
1, 3, 6, 7A, 8-12,14,26	S-0214	IQ ACTUATOR LH LEG, 115MM STROKE 1200N EBX - STD	2020-02-03
1, 3, 6, 7A, 8-12,14,26	S-0215	IQ ACTUATOR RH LEG, 115MM STROKE 1200N EBX - STD	2020-02-03
1, 3, 6, 7B, 8-12,14,26	S-0216	IQ ACTUATOR LH LEG, 115MM STROKE 1500N EBX - VHD	2020-02-03
1, 3, 6, 7B, 8-12,14,26	S-0217	IQ ACTUATOR RH LEG, 115MM STROKE 1500N EBX - VHD	2020-02-03
1-6,7A,8-14,15A,16A,17A,18A,24-26	S-0208	POWER LEGREST, 300 LBS, LH, 318 MM TO 395 MM (12.5-15.5IN), E-BX	2020-02-03
1-6,7A,8-14,15B,16B,17A,18B,24-26	S-0212	POWER LEGREST, 300 LBS, RH, 318 MM TO 395 MM (12.5-15.5IN), E-BX	2020-02-03
1-6,7A,8-14,15A,16A,17B,18C,24-26	S-0209	POWER LEGREST, 300 LBS, LH, 368 MM TO 495 MM (14.5-19.5IN), E-BX	2020-02-03
1-6,7A,8-14,15B,16B,17B,18D,24-26	S-0213	POWER LEGREST, 300 LBS, RH, 368 MM TO 495 MM (14.5-19.5IN), E-BX	2020-02-03
1-6,7B,8-14,15A,16A,17A,18A,24-26	S-0206	POWER LEGREST, 550 LBS, LH, 318 MM TO 395 MM (12.5-15.5IN), E-BX	2020-02-03
1-6,7B,8-14,15B,16B,17A,18B,24-26	S-0210	POWER LEGREST, 550 LBS, RH, 318 MM TO 395 MM (12.5-15.5IN), E-BX	2020-02-03
1-6,7B,8-14,15A,16A,17B,18C,24-26	S-0207	POWER LEGREST, 550 LBS, LH, 368 MM TO 495 MM (14.5-19.5IN), E-BX	2020-02-03
1-6,7B,8-14,15B,16B,17B,18D,24-26	S-0211	POWER LEGREST, 550 LBS, RH, 368 MM TO 495 MM (14.5-19.5IN), E-BX	2020-02-03



# PART	DESCRIPTION	WIDTH X DEPTH	SEAT WIDTH
A9241	XSMALL FOOTPLATE	90 MM (3.5 IN) W X 205 MM (8 IN) D	280-330 MM (11-13 IN)
1002854	SMALL FOOTPLATE	130 MM (5 IN) W X 205 MM (8 IN) D	355-380 MM (14-15 IN)
1003194	MEDIUM FOOTPLATE	155 MM (6 IN) W X 205 MM (8 IN) D	405-430 MM (16-17 IN)
1003195	STANDARD FOOTPLATE	180 MM (7 IN) W X 205 MM (8 IN) D	455-485 MM (18-19 IN)
1003196	LARGE FOOTPLATE	205 MM (8 IN) W X 205 MM (8 IN) D	510-560 MM (20-22 IN)
1004050	X LARGE FOOTPLATE	243 MM (9.5 IN) W X 205 MM (8 IN) D	585-710 MM (23-28 IN)
1003646	OVERSIZED FOOTPLATE, X-SMALL	90 MM (3.5 IN) W X 255 MM (10 IN) D	280-330 MM (11-13 IN)
1001682	OVERSIZED FOOTPLATE, SMALL	130 MM (5 IN) W X 255 MM (10 IN) D	355-380 MM (14-15 IN)
1001666	OVERSIZED FOOTPLATE, MEDIUM	155 MM (6 IN) W X 255 MM (10 IN) D	405-430 MM (16-17 IN)
1001665	OVERSIZED FOOTPLATE, STANDARD	180 MM (7 IN) W X 255 MM (10 IN) D	455-485 MM (18-19 IN)
1001664	OVERSIZED FOOTPLATE, LARGE	205 MM (8 IN) W X 255 MM (10 IN) D	510-560 MM (20-22 IN)
1001663	OVERSIZED FOOTPLATE, X-LARGE	243 MM (9.5 IN) W X 255 MM (10 IN) D	585-710 MM (23-28 IN)

**SIGNATURE POWER ELEVATING & ARTICULATING SWING-AWAY LEGREST - E-BX**  
 SEE DESCRIPTION ON FOLLOWING PAGE



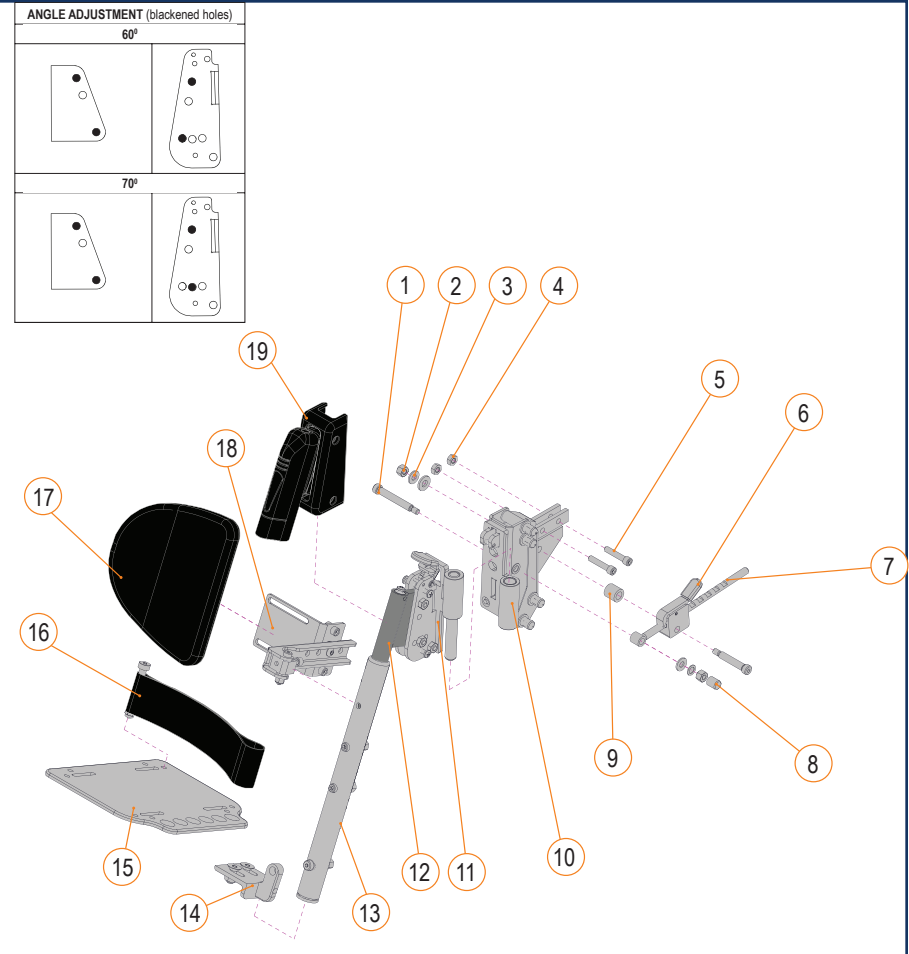
# PART	DESCRIPTION	WIDTH X DEPTH	SEAT WIDTH
1004685	X-SMALL FOOTPLATE	95×105 MM (3.75×6 IN)	280-330 MM (11-13 IN)
1002854	S FOOTPLATE	130×205 MM (5×8 IN)	355-380 MM (14-15 IN)
1003194	M FOOTPLATE	155×205 MM (6×8 IN)	405-430 MM (16-17 IN)
1003195	STD FOOTPLATE	180×205 MM (7×8 IN)	455-485 MM (18-19 IN)
1003196	L FOOTPLATE	205×205 MM (8×8 IN)	510-560 MM (20-22 IN)
1004050	XL FOOTPLATE	243×205 MM (9×8 IN)	585-710 MM (23-28 IN)
1004686	X-SMALL OVERSIZED FOOTPLATE	95×205 MM (3.75×8 IN)	280-330 MM (11-13 IN)
1003646	OVERSIZED FOOTPLATE, XSMALL	90×255 MM (3.5×10 IN)	280-330 MM (11-13 IN)
1001682	OVERSIZED FOOTPLATE, SMALL	130×255 MM (5×10 IN)	355-380 MM (14-15 IN)
1001666	OVERSIZED FOOTPLATE, MEDIUM	155×255 MM (6×10 IN)	405-430 MM (16-17 IN)
1001665	OVERSIZED FOOTPLATE, STANDARD	180×255 MM (7×10 IN)	455-485 MM (18-19 IN)
1001664	OVERSIZED FOOTPLATE, LARGE	205×255 MM (8×10 IN)	510-560 MM (20-22 IN)
1001663	OVERSIZED FOOTPLATE, XLARGE	243×255 MM (9×10 IN)	585-710 MM (23-28 IN)

SIGNATURE POWER ELEVATING & ARTICULATING SWING-AWAY LEGREST - E-BX				
ITEM #	PART #	DESCRIPTION	EFFECTIVE	
1,2,3A	1004776-L	IQ ACTUATOR, LH LEG, 115MM STROKE, 1500N, EBX	2023-12-01	
1,2,3B	1004776-R	IQ ACTUATOR, RH LEG, 115MM STROKE, 1500N, EBX	2023-12-01	
4A	1004429-L	ASS'Y, STS ARTICULATING LEGREST RECEIVER, LH	2023-12-01	
4B	1004429-R	ASS'Y, STS ARTICULATING LEGREST RECEIVER, RH	2023-12-01	
5A, 12	1004426-L	STS UPPER EXTRUSION & HANGER HD FOOTREST, SHORT LH	2023-12-01	
5B, 12	1004426-R	STS UPPER EXTRUSION & HANGER HD FOOTREST, SHORT RH	2023-12-01	
5C, 12	1004427-L	STS UPPER EXTRUSION & HANGER, HD FTREST, LONG LH	2023-12-01	
5D, 12	1004427-R	STS UPPER EXTRUSION & HANGER, HD FTREST, LONG RH	2023-12-01	
6	1004455	AS LEGREST LOWER EXTRUSION ASS'Y	2023-12-01	
7A	1004430	AS ANGLE ADJ. FOOTPLATE SUPPORT BRACKET ASS'Y	2023-12-01	
7B	1004431	AS FIXED FOOTPLATE SUPPORT BRACKET ASS'Y	2023-12-01	
8A	1004686	X-SMALL, O-S PED. FOOTPLATE 95X205 MM (3.75X8 IN)	2023-12-01	
8B	1002854	S FOOTPLATE 130x205MM (5x8IN)	2022-08-08	
8C	1003194	M FOOTPLATE 155x205MM (6x8IN)	2022-08-08	
8D	1003195	STD FOOTPLATE 180x205MM (7x8IN)	2022-08-08	
8E	1003196	L FOOTPLATE 205x205MM (8x8IN)	2022-08-08	
8F	1004050	XL FOOTPLATE 243x205MM (9x8IN)	2022-08-08	
8G	1003646	OVERSIZED FOOTPLATE, XSMALL, 90x255MM (3.5x10IN)	2021-09-14	
8H	1001682	OVERSIZED FOOTPLATE, SMALL, 130x255MM (5x10IN)	2021-09-14	
8I	1001666	OVERSIZED FOOTPLATE, MEDIUM, 155x255MM (6x10IN)	2021-09-14	
8J	1001665	OVERSIZED FOOTPLATE, STANDARD, 180x255MM (7x10IN)	2021-09-14	
8K	1001664	OVERSIZED FOOTPLATE, LARGE, 205x255MM (8x10IN)	2021-09-14	
8L	1001663	OVERSIZED FOOTPLATE, XLARGE, 243x255MM (9x10IN)	2021-09-14	
9A	1001397	HEEL LOOP ASSEMBLY - STANDARD	2020-07-01	
9B	1001398	HEEL LOOP ASSEMBLY - LARGE SIZE	2020-07-01	
10A	1003185-L	AS, STD CALF PAD MOUNTING BRACKET, LH	2023-12-01	
10B	1003185-R	AS, STD CALF PAD MOUNTING BRACKET, RH	2023-12-01	
10C	1004044-L	AS, HD CALF PAD MOUNTING BRACKET, LH	2023-12-01	
10D	1004044-R	AS, HD CALF PAD MOUNTING BRACKET, RH	2023-12-01	
11A	H00112	CALF PAD, SMALL, 130x155MM (5x6IN)	2022-12-12	
11B	H00111	CALF PAD, MEDIUM, 155x180MM (6x7IN)	2022-12-12	
11C	H00113	CALF PAD, LARGE, 205x180MM (8x7IN)	2022-12-12	
11D	H00114	CALF PAD, XLARGE, 255x205MM (10x8IN)	2018-09-21	
12	1004432	PROTECTION PAD, STS HD FOOTREST	2023-12-01	

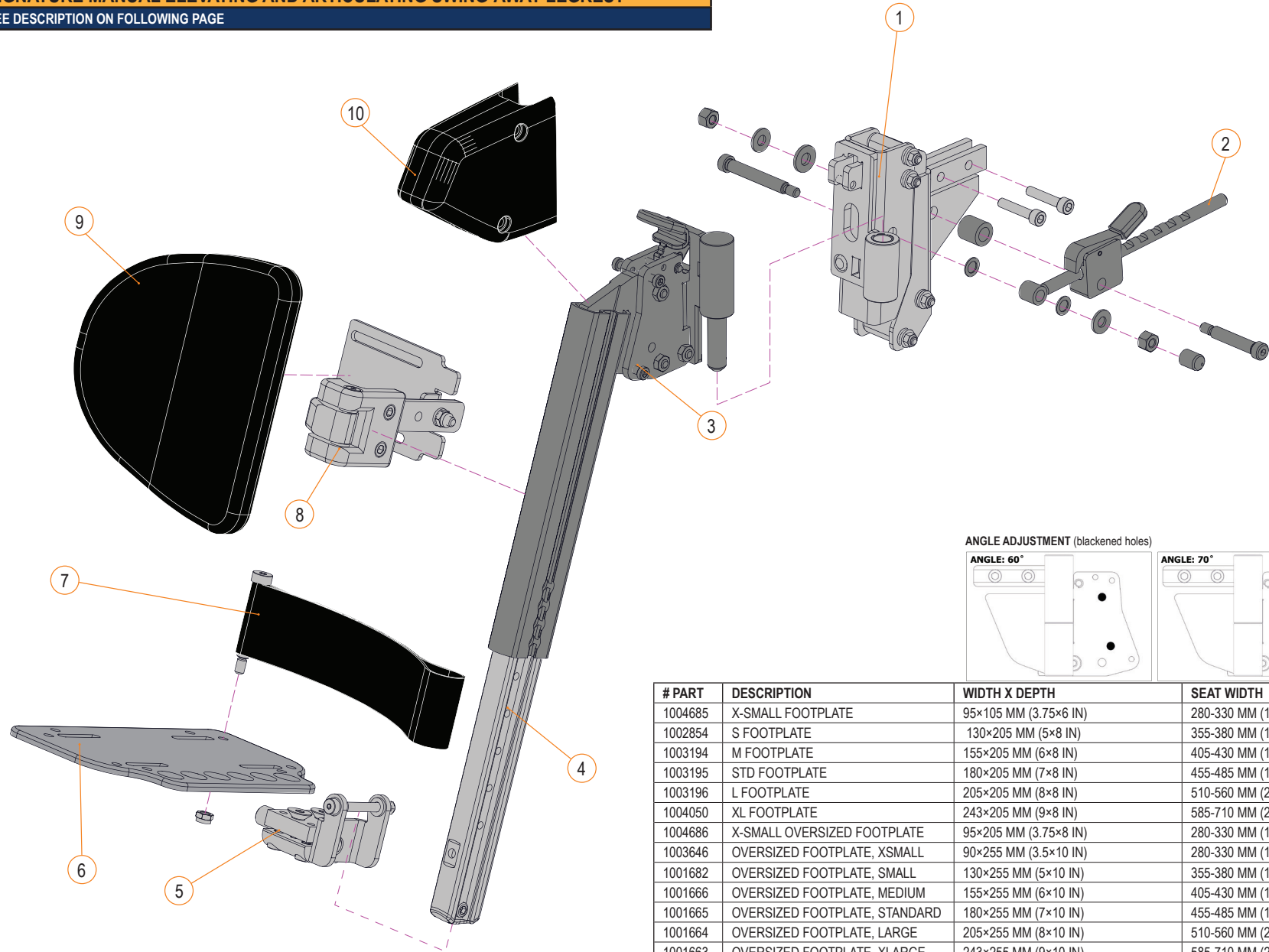
ITEM #	PART #	DESCRIPTION	EFFECTIVE
1, 2, 3A, 4A, 5A, 6, 12	1004755-L	STS PWR LEG STD, 318-445MM/12.5-17.5" EBX,LH	2023-12-01
1, 2, 3B, 4B, 5B, 6, 12	1004755-R	STS PWR LEG STD, 318-445MM/12.5-17.5" EBX,RH	2023-12-01
1, 2, 3A, 4A, 5C, 6, 12	1004756-L	STS PWR LEG STD, 368-495MM/14.5-19.5" EBX,LH	2023-12-01
1, 2, 3B, 4B, 5D, 6, 12	1004756-R	STS PWR LEG STD, 368-495MM/14.5-19.5" EBX,RH	2023-12-01
1, 2, 3C, 4A, 5A, 6, 12	1004757-L	STS PWR LEG HD, 318-445MM/12.5-17.5" EBX, LH	2023-12-01
1, 2, 3D, 4B, 5B, 6, 12	1004757-R	STS PWR LEG HD, 318-445MM/12.5-17.5" EBX, RH	2023-12-01
1, 2, 3C, 4A, 5C, 6, 12	1004758-L	STS PWR LEG HD, 368-495MM/14.5-19.5" EBX, LH	2023-12-01
1, 2, 3D, 4B, 5D, 6, 12	1004758-R	STS PWR LEG HD, 368-495MM/14.5-19.5" EBX, RH	2023-12-01

MANUAL ELEVATING AND ARTICULATING LEGREST			
ITEM #	PART #	DESCRIPTION	EFFECTIVE
12A	A92150	HD LEGREST, UPPER TUBE, 318-395 MM (12.5 IN-15.5IN)	2011-08-19
12B	A92130	HD LEGREST, UPPER TUBE, 368-495 MM (14.5 IN-19.5IN)	2011-08-19
13A	A92152	HD LEGREST, LOWER TUBE LH 318-395 MM (12.5 IN-15.5IN)	2011-08-19
13B	A92151	HD LEGREST, LOWER TUBE RH 318-395 MM (12.5 IN-15.5IN)	2011-08-19
13C	A92140	HD LEGREST, LOWER TUBE LH 368-495 MM (14.5 IN-19.5IN)	2011-08-19
13D	A92135	HD LEGREST, LOWER TUBE RH 368-495 MM (14.5 IN-19.5IN)	2011-08-19
14A	C-92172	ADULT FIXED HD FOOTPLATE ADAPTER KIT	2012-01-10
14B	C-92170	ADULT ANGLE ADJUSTABLE HD FOOTPLATE ADAPTER KIT	2012-01-10
15A	A9241	XSMALL FOOTPLATE, 90 MM (3.5 IN) W X 205 MM (8 IN) D	2008-04-30
15B	1002854	S FOOTPLATE, 130 MM (5 IN) W X 205 MM (8 IN) D	2022-08-08
15C	1003194	M FOOTPLATE, 155 MM (6 IN) W X 205 MM (8 IN) D	2022-08-08
15D	1003195	STD FOOTPLATE, 180 MM (7 IN) W X 205 MM (8 IN) D	2022-08-08
15E	1003196	L FOOTPLATE, 205 MM (8 IN) W X 205 MM (8 IN) D	2022-08-08
15F	1004050	X L FOOTPLATE, 243 MM (9.5 IN) W X 205 MM (8 IN) D	2022-08-08
15G	1003646	OVERSIZED FOOTPLATE, XSMALL, 90 MM (3.5 IN) W X 255 MM (10 IN) D	2020-07-22
15H	1001682	OVERSIZED FOOTPLATE, SMALL, 130 MM (5 IN) W X 255 MM (10 IN) D	2020-07-22
15I	1001666	OVERSIZED FOOTPLATE, MEDIUM, 155 MM (6 IN) W X 255 MM (10 IN) D	2020-07-22
15J	1001665	OVERSIZED FOOTPLATE, STANDARD, 180 MM (7 IN) W X 255 MM (10 IN) D	2020-07-22
15K	1001664	OVERSIZED FOOTPLATE, LARGE, 205 MM (8 IN) W X 255 MM (10 IN) D	2020-01-03
15L	1001663	OVERSIZED FOOTPLATE, X-LARGE, 243 MM (9.5 IN) W X 255 MM (10 IN) D	2020-07-22
16A	1001397	HEEL LOOP ASSEMBLY - STANDARD	2021-02-01
16B	1001398	HEEL LOOP ASSEMBLY - LARGE SIZE	2021-02-01
17A	H00112	CALF PAD, SMALL, 130 MM X 155 MM (5 IN X 6 IN)	2015-04-13
17B	H00111	CALF PAD, MEDIUM, 155 MM X 180 MM (6 IN X 7 IN)	2015-04-13
17C	H00113	CALF PAD, LARGE, 205 MM X 180 MM (8 IN X 7 IN)	2015-04-13
17D	H00114	CALF PAD, EXTRA LARGE, 155 MM X 180 MM (10 IN X 8 IN)	2015-04-13
18A	C-92210	STD CALF PAD MOUNTING BRACKET	2014-01-16
18B	C-92209	HD CALF PAD MOUNTING BRACKET	2014-01-16
19	C-92173	PROTECTION PAD HD FOOT REST	2011-08-19
1-3,6A,7A,8,9	1004106	STS HOLD/RELEASE MECH, MAN.ELEV. LEGRST ASS'Y LEFT	2022-08-01
1-3,6B,7B,8,9	1004107	STS HOLD/RELEASE MECH, MAN.ELEV. LEGRST ASS'Y RIGHT	2022-08-01
4,5,10A	C-92175	LH ARTICULATING RECEIVER	2011-06-21
4,5,10B	C-92174	RH ARTICULATING RECEIVER	2011-06-21
4,5,10A,11A,12A,13A,19	1003045	KIT, MANUAL ELEV./ART. LEGRESTS (12.5-15.5 IN) LH	2021-05-07
4,5,10B,11B,12A,13B,19	1003076	KIT, MANUAL ELEV./ART. LEGRESTS (12.5-15.5 IN) RH	2021-05-07
4,5,10A,11A,12B,13C,19	1003077	KIT, MANUAL ELEV./ART. LEGRESTS (14.5-19.5 IN) LH	2021-05-07
4,5,10B,11B,12B,13D,19	1003078	KIT, MANUAL ELEV./ART. LEGRESTS (14.5-19.5 IN) RH	2021-05-07



# PART	DESCRIPTION	WIDTH X DEPTH	SEAT WIDTH
A9241	XSMALL FOOTPLATE	90 MM (3.5 IN) W X 205 MM (8 IN) D	280-330 MM (11-13 IN)
1002854	SMALL FOOTPLATE	130 MM (5 IN) W X 205 MM (8 IN) D	355-380 MM (14-15 IN)
1003194	MEDIUM FOOTPLATE	155 MM (6 IN) W X 205 MM (8 IN) D	405-430 MM (16-17 IN)
1003195	STANDARD FOOTPLATE	180 MM (7 IN) W X 205 MM (8 IN) D	455-485 MM (18-19 IN)
1003196	LARGE FOOTPLATE	205 MM (8 IN) W X 205 MM (8 IN) D	510-560 MM (20-22 IN)
1004050	X LARGE FOOTPLATE	243 MM (9.5 IN) W X 205 MM (8 IN) D	585-710 MM (23-28 IN)
1003646	OVERSIZED FOOTPLATE, X-SMALL	90 MM (3.5 IN) W X 255 MM (10 IN) D	280-330 MM (11-13 IN)
1001682	OVERSIZED FOOTPLATE, SMALL	130 MM (5 IN) W X 255 MM (10 IN) D	355-380 MM (14-15 IN)
1001666	OVERSIZED FOOTPLATE, MEDIUM	155 MM (6 IN) W X 255 MM (10 IN) D	405-430 MM (16-17 IN)
1001665	OVERSIZED FOOTPLATE, STANDARD	180 MM (7 IN) W X 255 MM (10 IN) D	455-485 MM (18-19 IN)
1001664	OVERSIZED FOOTPLATE, LARGE	205 MM (8 IN) W X 255 MM (10 IN) D	510-560 MM (20-22 IN)
1001663	OVERSIZED FOOTPLATE, X-LARGE	243 MM (9.5 IN) W X 255 MM (10 IN) D	585-710 MM (23-28 IN)

**SIGNATURE MANUAL ELEVATING AND ARTICULATING SWING-AWAY LEGREST**  
SEE DESCRIPTION ON FOLLOWING PAGE

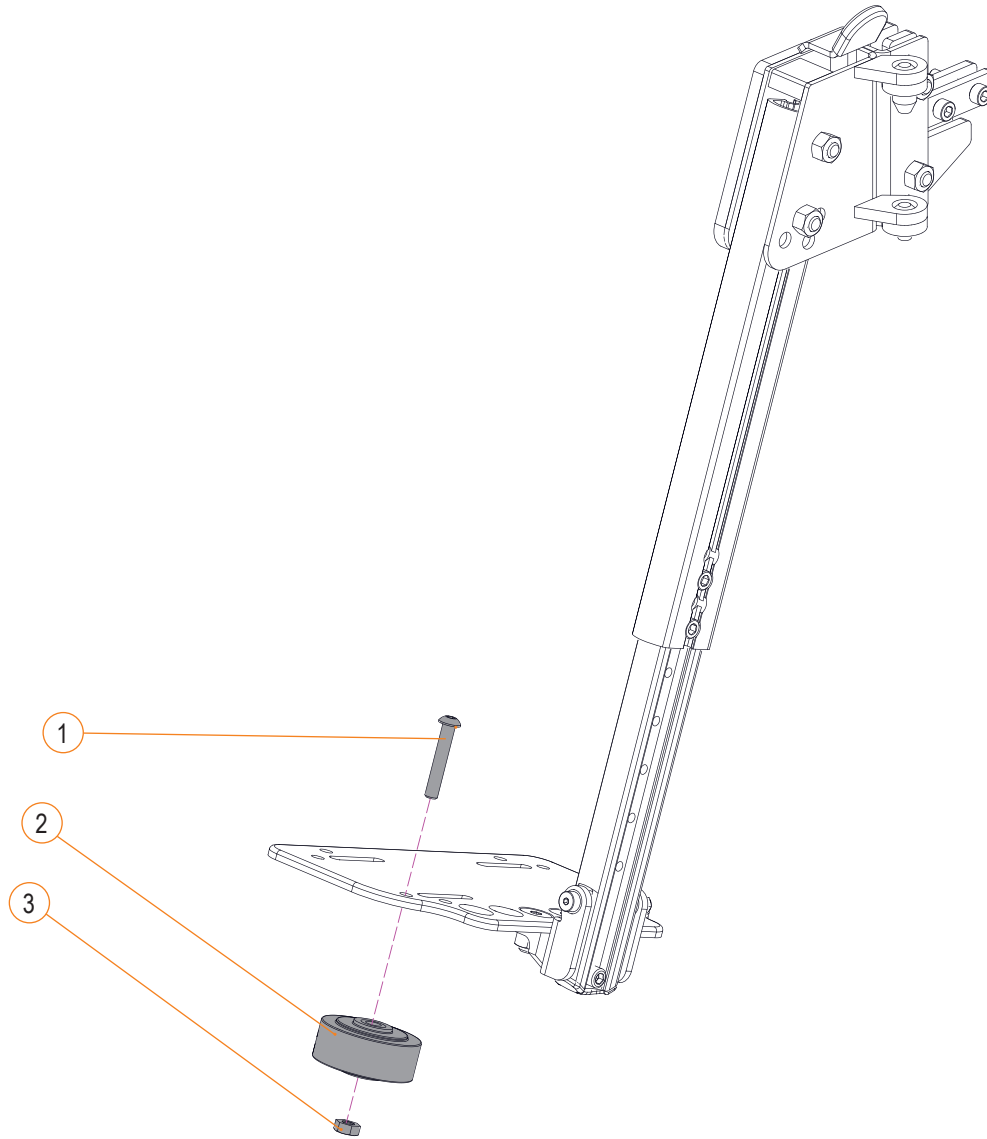


# PART	DESCRIPTION	WIDTH X DEPTH	SEAT WIDTH
1004685	X-SMALL FOOTPLATE	95×105 MM (3.75×6 IN)	280-330 MM (11-13 IN)
1002854	S FOOTPLATE	130×205 MM (5×8 IN)	355-380 MM (14-15 IN)
1003194	M FOOTPLATE	155×205 MM (6×8 IN)	405-430 MM (16-17 IN)
1003195	STD FOOTPLATE	180×205 MM (7×8 IN)	455-485 MM (18-19 IN)
1003196	L FOOTPLATE	205×205 MM (8×8 IN)	510-560 MM (20-22 IN)
1004050	XL FOOTPLATE	243×205 MM (9×8 IN)	585-710 MM (23-28 IN)
1004686	X-SMALL OVERSIZED FOOTPLATE	95×205 MM (3.75×8 IN)	280-330 MM (11-13 IN)
1003646	OVERSIZED FOOTPLATE, XSMALL	90×255 MM (3.5×10 IN)	280-330 MM (11-13 IN)
1001682	OVERSIZED FOOTPLATE, SMALL	130×255 MM (5×10 IN)	355-380 MM (14-15 IN)
1001666	OVERSIZED FOOTPLATE, MEDIUM	155×255 MM (6×10 IN)	405-430 MM (16-17 IN)
1001665	OVERSIZED FOOTPLATE, STANDARD	180×255 MM (7×10 IN)	455-485 MM (18-19 IN)
1001664	OVERSIZED FOOTPLATE, LARGE	205×255 MM (8×10 IN)	510-560 MM (20-22 IN)
1001663	OVERSIZED FOOTPLATE, XLARGE	243×255 MM (9×10 IN)	585-710 MM (23-28 IN)

<b>SIGNATURE MANUAL ELEVATING AND ARTICULATING SWING-AWAY LEGREST</b>			
<b>ITEM #</b>	<b>PART #</b>	<b>DESCRIPTION</b>	<b>EFFECTIVE</b>
1A	1004429-L	ASS'Y, AS ARTICULATING LEGREST RECEIVER, LH	2023-12-01
1B	1004429-R	ASS'Y, AS ARTICULATING LEGREST RECEIVER, RH	2023-12-01
2A	1004106	KIT, HOLD/RELEASE MECHANISM, MAN.ELEV. LEGREST, LH	2022-07-13
2B	1004107	KIT, HOLD/RELEASE MECHANISM, MAN.ELEV. LEGREST, RH	2022-07-13
3A, 10	1004426-L	AS UPPER EXTRUSION & HANGER, HD FOOTREST, SHORT LH (320-445MM, 12.5-17.5IN)	2023-12-01
3B, 10	1004426-R	AS UPPER EXTRUSION & HANGER, HD FOOTREST, SHORT RH (320-445MM, 12.5-17.5IN)	2023-12-01
3C, 10	1004427-L	AS UPPER EXTRUSION & HANGER, HD FTREST, LONG LH (370-495MM, 14.5-19.5IN)	2023-12-01
3D, 10	1004427-R	AS UPPER EXTRUSION & HANGER, HD FTREST, LONG RH (370-495MM, 14.5-19.5IN)	2023-12-01
4	1004455	AS LEGREST LOWER EXTRUSION ASS'Y	2023-12-01
5A	1004430	AS ANGLE ADJ. FOOTPLATE SUPPORT BRACKET ASS'Y	2023-12-01
5B	1004431	AS FIXED FOOTPLATE SUPPORT BRACKET ASS'Y	2023-12-01
6A	1004686	XS FOOTPLATE 95×205MM (3.75×8IN)	2023-12-01
6B	1002854	S FOOTPLATE 130×205MM (5×8IN)	2022-08-08
6C	1003194	M FOOTPLATE 155×205MM (6×8IN)	2022-08-08
6D	1003195	STD FOOTPLATE 180×205MM (7×8IN)	2022-08-08
6E	1003196	L FOOTPLATE 205×205MM (8×8IN)	2022-08-08
7F	1004050	XL FOOTPLATE 243×205MM (9×8IN)	2022-08-08
6G	1003646	OVERSIZED FOOTPLATE, XSMALL, 90×255MM (3.5×10IN)	2021-09-14
6H	1001682	OVERSIZED FOOTPLATE, SMALL, 130×255MM (5×10IN)	2021-09-14
6I	1001666	OVERSIZED FOOTPLATE, MEDIUM, 155×255MM (6×10IN)	2021-09-14
6J	1001665	OVERSIZED FOOTPLATE, STANDARD, 180×255MM (7×10IN)	2021-09-14
6K	1001664	OVERSIZED FOOTPLATE, LARGE, 205×255MM (8×10IN)	2021-09-14
6L	1001663	OVERSIZED FOOTPLATE, XLARGE, 243×255MM (9×10IN)	2021-09-14
7A	1001397	HEEL LOOP ASSEMBLY - STANDARD	2020-07-01
7B	1001398	HEEL LOOP ASSEMBLY - LARGE SIZE	2020-07-01
8A	1003185-L	AS, STD CALF PAD MOUNTING BRACKET, LH	2023-12-01
8B	1003185-R	AS, STD CALF PAD MOUNTING BRACKET, RH	2023-12-01
8C	1004044-L	AS, HD CALF P AD MOUNTING BRACKET, LH	2023-12-01
8D	1004044-R	AS, HD CALF PAD MOUNTING BRACKET, RH	2023-12-01
9A	H00112	CALF PAD, SMALL, 130×155MM (5×6IN)	2022-12-12
9B	H00111	CALF PAD, MEDIUM, 155×180MM (6×7IN)	2022-12-12
9C	H00113	CALF PAD, LARGE, 205×180MM (8×7IN)	2022-12-12
9D	H00114	CALF PAD, XLARGE, 255×205MM (10×8IN)	2018-09-21
10	1004432	PROTECTION PAD, AS HD FOOTREST	2023-12-01
1A, 2A, 3A, 4, 10	1004911-L	KIT, STS MAN ELEV/ART LEGS, 12.5-17.5IN, LH	2023-12-01
1B, 2B, 3B, 4, 10	1004911-R	KIT, STS MAN ELEV/ART LEGS, 12.5-17.5IN, RH	2023-12-01
1A, 2A, 3C, 4, 10	1004912-L	KIT, STS MAN ELEV/ART LEGS, 14.5-19.5IN, LH	2023-12-01
1B, 2B, 3D, 4, 10	1004912-R	KIT, STS MAN ELEV/ART LEGS, 14.5-19.5IN, RH	2023-12-01

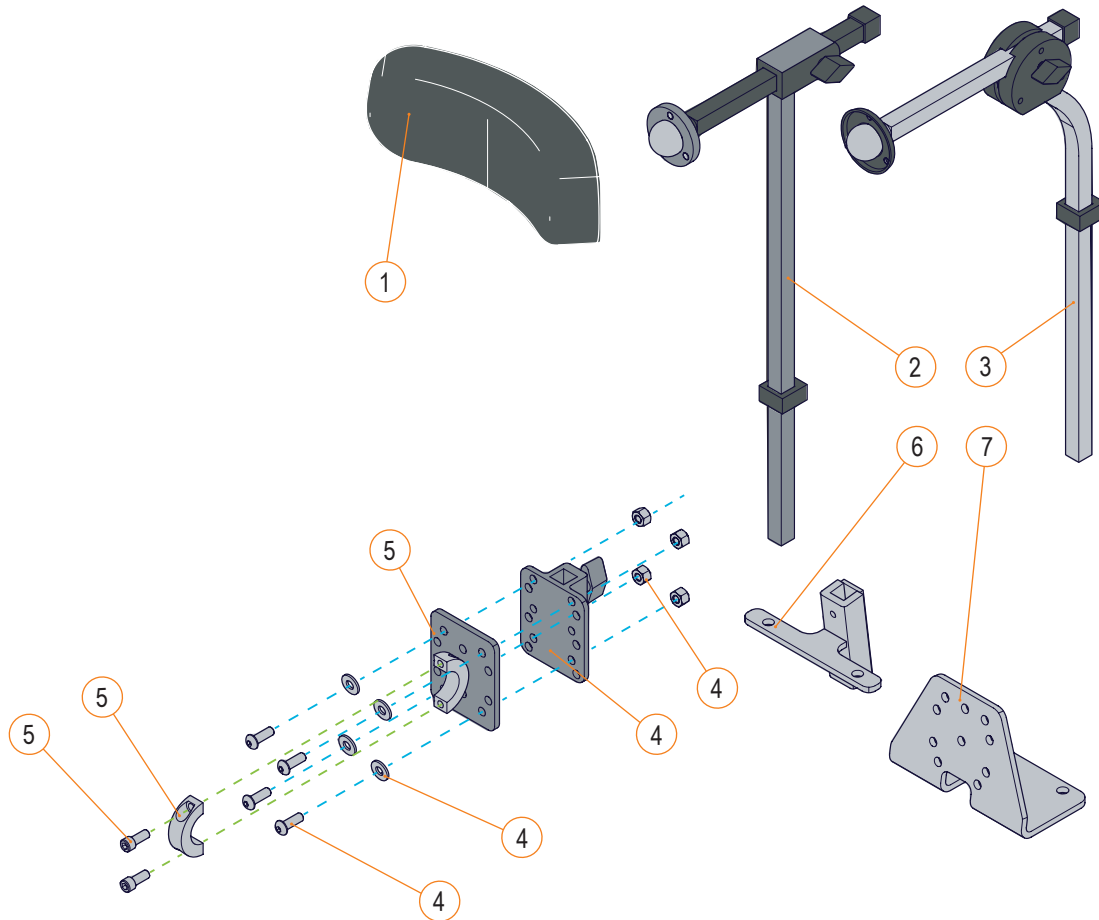
FRONT FOOTPLATE BUMPER WHEEL - SECTION 2.5.7

FRONT FOOTPLATE BUMPER WHEEL			
ITEM #	PART #	DESCRIPTION	EFFECTIVE
1-3	1003060	KIT, WHEEL, FRONT FOOTPLATE BUMPER	2021-05-07



HEADREST - SECTION 2.6.1

SINGLE AXIS HEADREST HARDWARE			
ITEM #	PART #	DESCRIPTION	EFFECTIVE
1A	H00091	HEADREST PAD, SMALL, 105 MM X 230 MM (4 IN X 9 IN)	2009-05-06
1B	H00092	HEADREST PAD, MEDIUM, 130 MM X 255 MM (5 IN X 10 IN)	2009-05-06
1C	H00093	HEADREST PAD, LARGE, 155 MM X 280 MM (6 IN X 11 IN)	2009-05-06
2	A93100	SINGLE AXIS HEADREST MOUNTING	2008-08-19
3	A93101	MULTI-AXIS HEADREST MOUNTING	2008-10-10
4	C-9343	HEADREST MOUNTING HARDWARE FOR FIXED BACK	2008-08-19
5	C-9334	KIT, HEADREST SUPPORT FOR FIXED BACK	2008-09-04
6	C-9341	HEADREST MOUNTING HARDWARE FOR RECLINING BACK	2008-08-13
7	C-9342	OEM HEADREST SUPPORT ON AMYSYSTEMS POWER RECLINE	2008-08-13

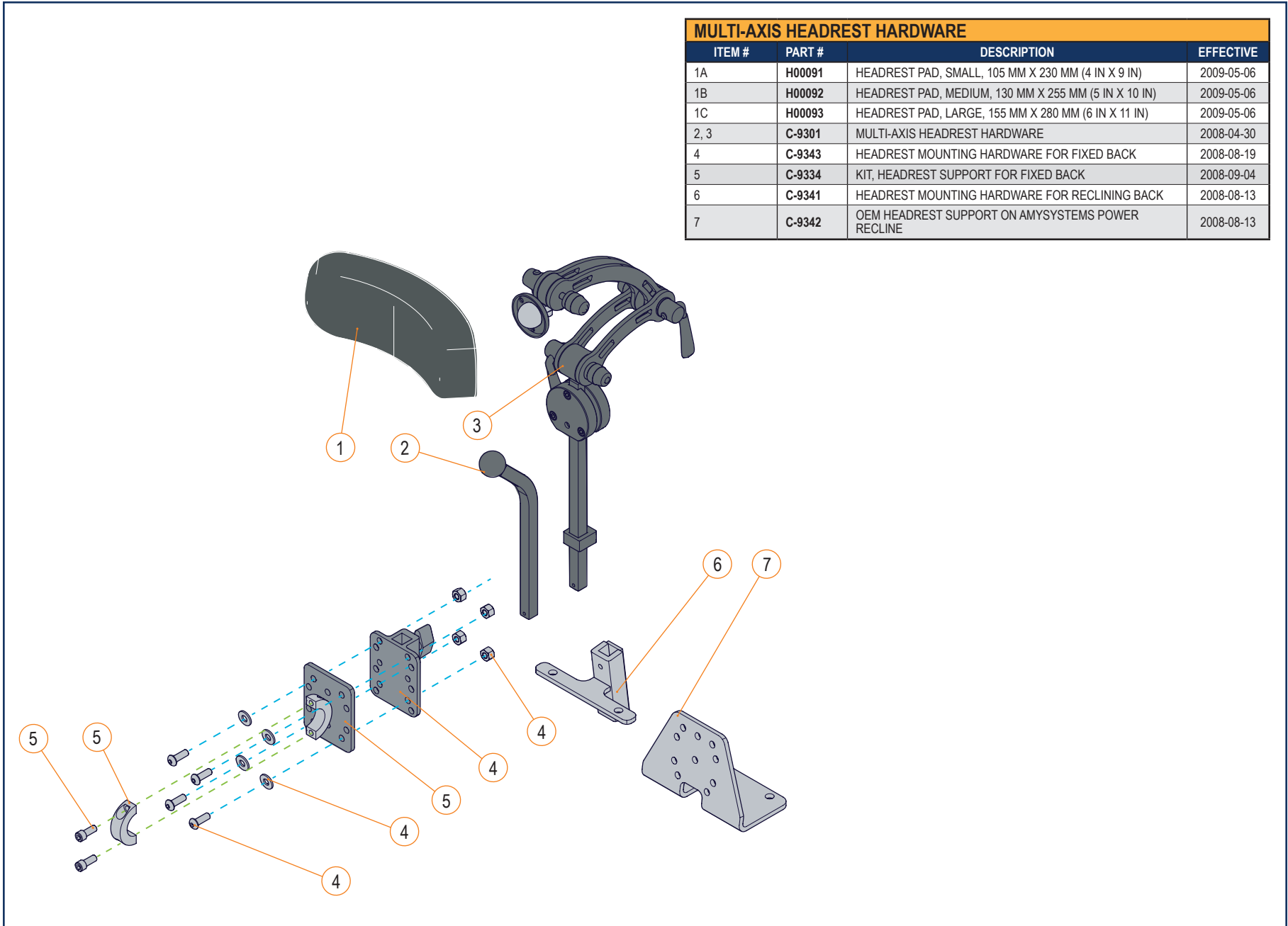


HEADREST - SECTION 2.6.1

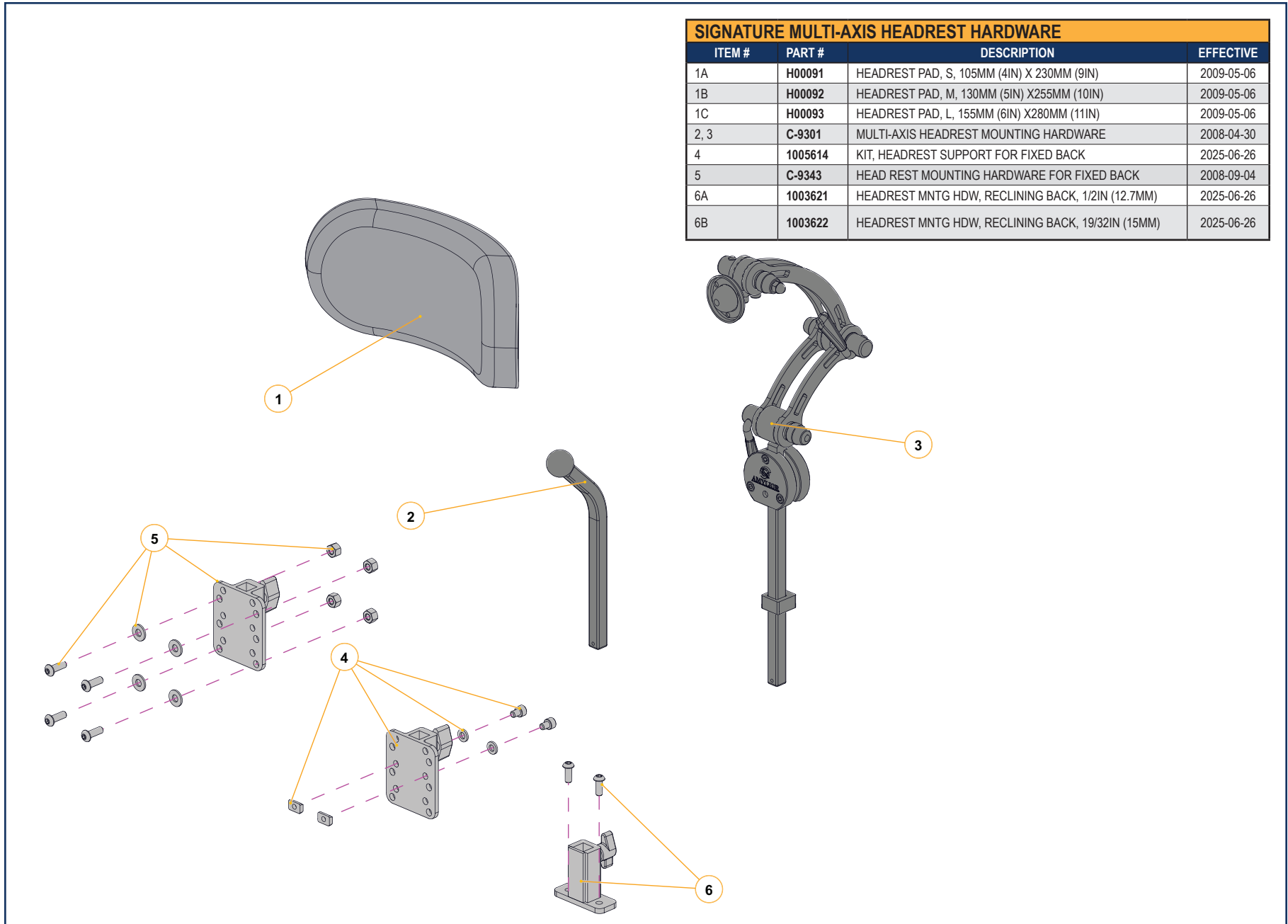
SIGNATURE SINGLE AXIS HEADREST HARDWARE			
ITEM #	PART #	DESCRIPTION	EFFECTIVE
1A	H00091	HEADREST PAD, S, 105MM (4IN) X 230MM (9IN)	2009-05-06
1B	H00092	HEADREST PAD, M, 130MM (5IN) X255MM (10IN)	2009-05-06
1C	H00093	HEADREST PAD, L, 155MM (6IN) X280MM (11IN)	2009-05-06
2	A93100	SINGLE AXIS HEAD REST MOUNTING	2008-08-19
3	A93101	MULTI AXIS HEAD REST MOUNTING [E1028]	2008-08-19
4	1005614	KIT, HEADREST SUPPORT FOR FIXED BACK	2008-08-13
5	C-9343	HEAD REST MOUNTING HARDWARE FOR FIXED BACK	2008-10-10
6A	1003621	HEADREST MNTG HDW, RECLINING BACK, 1/2IN (12.7MM)	2025-06-26
6B	1003622	HEADREST MNTG HDW, RECLINING BACK, 19/32IN (15MM)	2025-06-26

HEADREST - SECTION 2.6.1

MULTI-AXIS HEADREST HARDWARE			
ITEM #	PART #	DESCRIPTION	EFFECTIVE
1A	H00091	HEADREST PAD, SMALL, 105 MM X 230 MM (4 IN X 9 IN)	2009-05-06
1B	H00092	HEADREST PAD, MEDIUM, 130 MM X 255 MM (5 IN X 10 IN)	2009-05-06
1C	H00093	HEADREST PAD, LARGE, 155 MM X 280 MM (6 IN X 11 IN)	2009-05-06
2, 3	C-9301	MULTI-AXIS HEADREST HARDWARE	2008-04-30
4	C-9343	HEADREST MOUNTING HARDWARE FOR FIXED BACK	2008-08-19
5	C-9334	KIT, HEADREST SUPPORT FOR FIXED BACK	2008-09-04
6	C-9341	HEADREST MOUNTING HARDWARE FOR RECLINING BACK	2008-08-13
7	C-9342	OEM HEADREST SUPPORT ON AMYSYSTEMS POWER RECLINE	2008-08-13

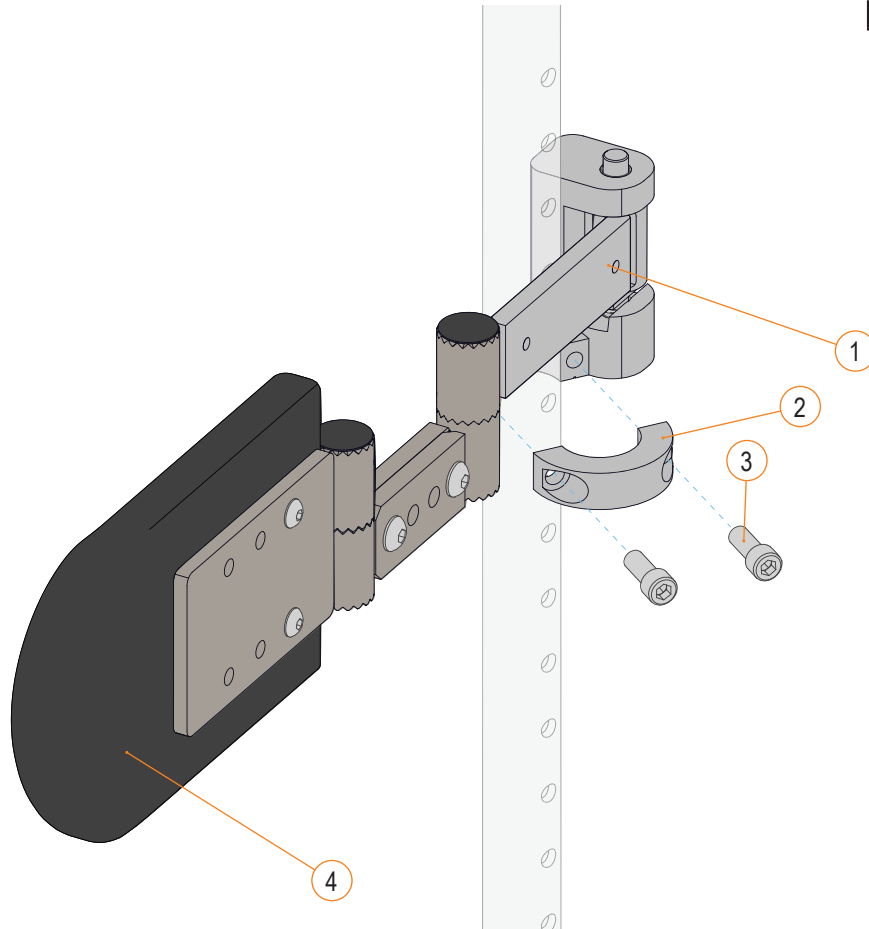


HEADREST - SECTION 2.6.1

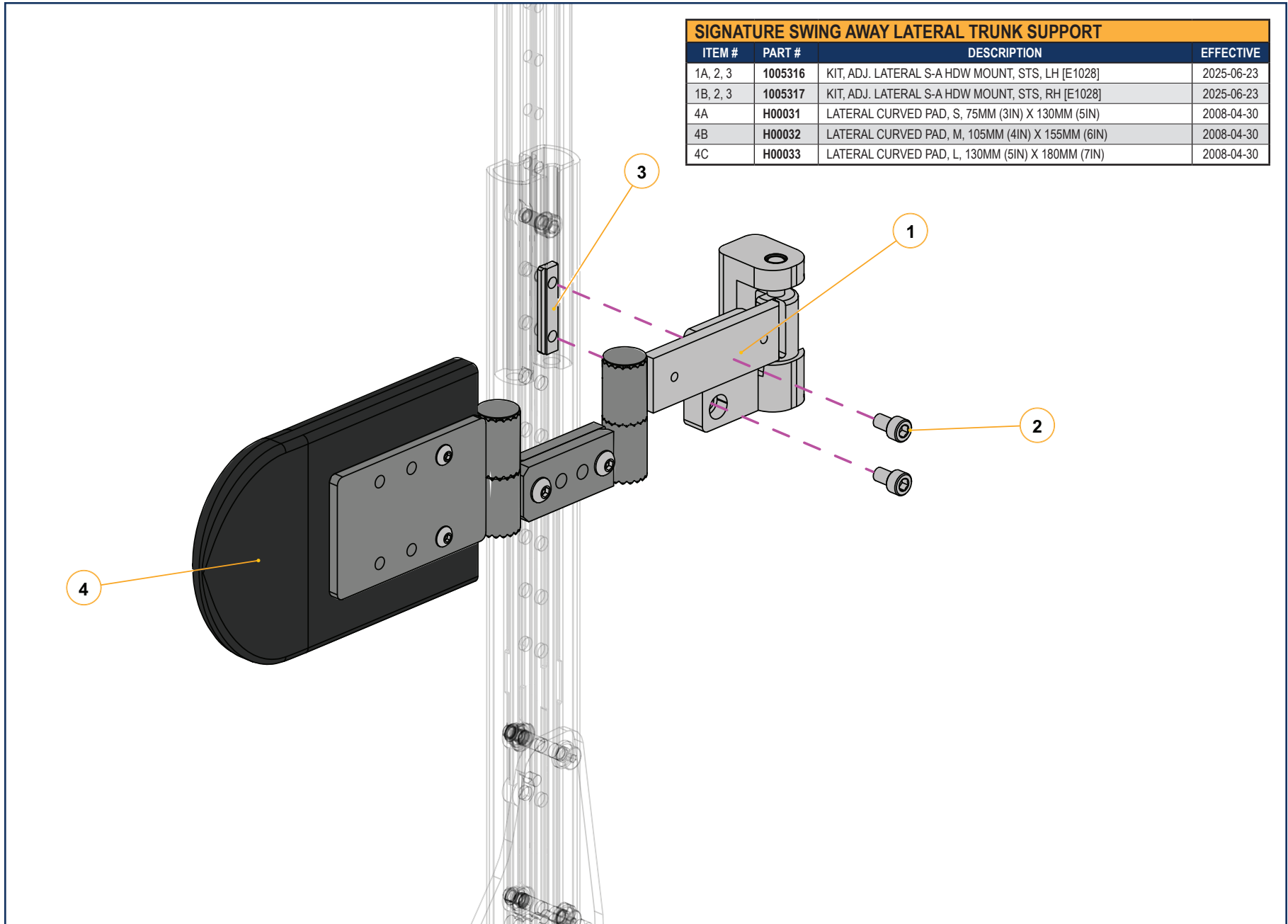


SIGNATURE MULTI-AXIS HEADREST HARDWARE			
ITEM #	PART #	DESCRIPTION	EFFECTIVE
1A	H00091	HEADREST PAD, S, 105MM (4IN) X 230MM (9IN)	2009-05-06
1B	H00092	HEADREST PAD, M, 130MM (5IN) X255MM (10IN)	2009-05-06
1C	H00093	HEADREST PAD, L, 155MM (6IN) X280MM (11IN)	2009-05-06
2, 3	C-9301	MULTI-AXIS HEADREST MOUNTING HARDWARE	2008-04-30
4	1005614	KIT, HEADREST SUPPORT FOR FIXED BACK	2025-06-26
5	C-9343	HEAD REST MOUNTING HARDWARE FOR FIXED BACK	2008-09-04
6A	1003621	HEADREST MNTG HDW, RECLINING BACK, 1/2IN (12.7MM)	2025-06-26
6B	1003622	HEADREST MNTG HDW, RECLINING BACK, 19/32IN (15MM)	2025-06-26

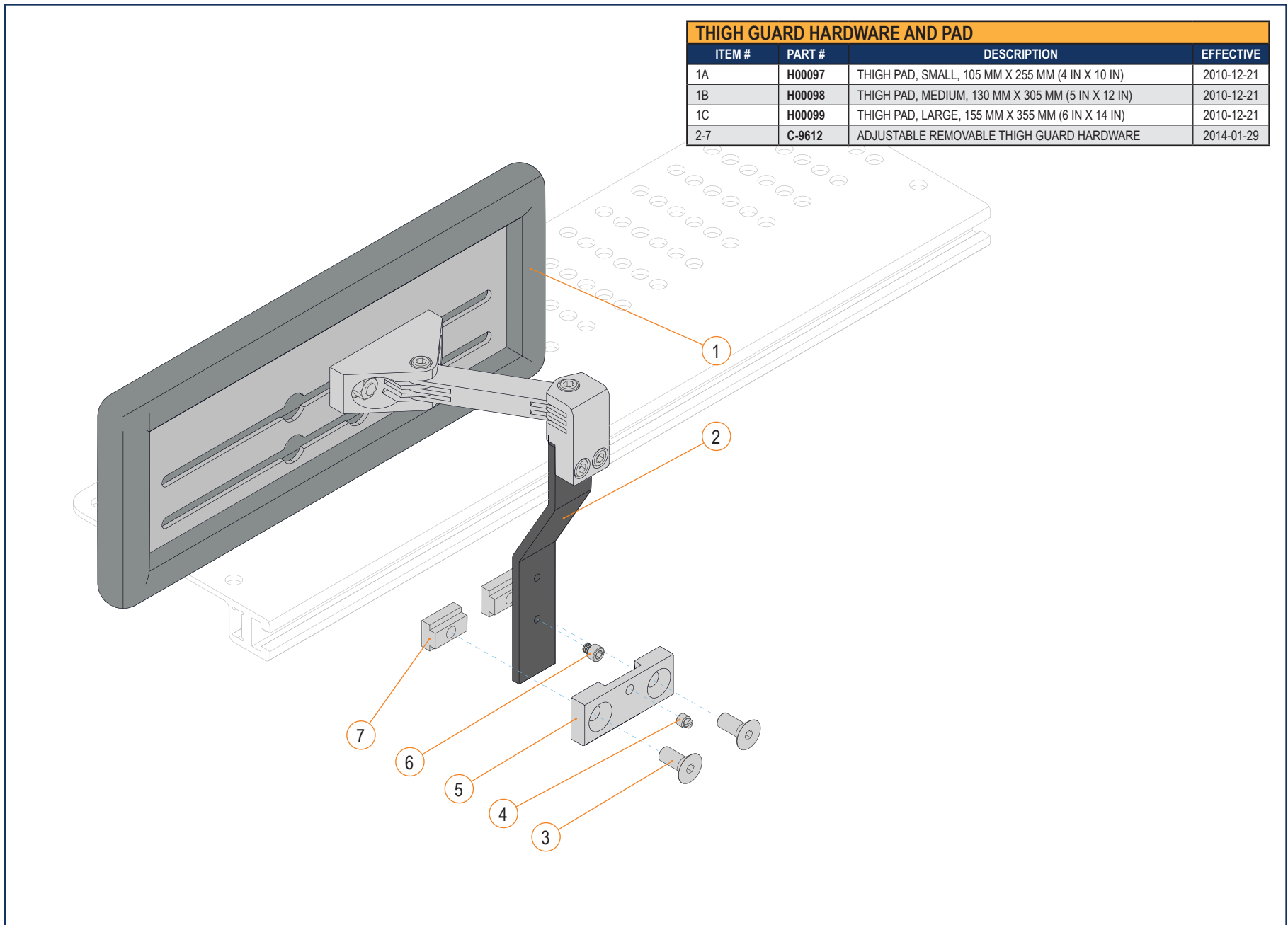
SWING AWAY LATERAL TRUNK SUPPORT			
ITEM #	PART #	DESCRIPTION	EFFECTIVE
1A, 2, 3	C-9609	SWING AWAY LATERAL TRUNK SUPPORT, LEFT HAND	2011-10-20
1B, 2, 3	C-9610	SWING AWAY LATERAL TRUNK SUPPORT, RIGHT HAND	2011-10-20
1C, 2, 3	S-128672-01	CUSTOM ADJ. S-A LATERAL SHORT HDW MOUNT, LH	2023-03-01
1D, 2, 3	S-128672-02	CUSTOM ADJ. S-A LATERAL SHORT HDW MOUNT, RH	2023-03-01
4A	H00031	LATERAL CURVED PAD, SMALL, 75 MM X 130 MM (3 IN X 5 IN)	2008-04-30
4B	H00032	LATERAL CURVED PAD, MEDIUM, 105 MM X 155 MM (4 IN X 6 IN)	2008-04-30
4C	H00033	LATERAL CURVED PAD, LARGE, 130 MM X 180 MM (5 IN X 7 IN)	2008-04-30



LATERAL TRUNK SUPPORT - SECTION 2.7.1

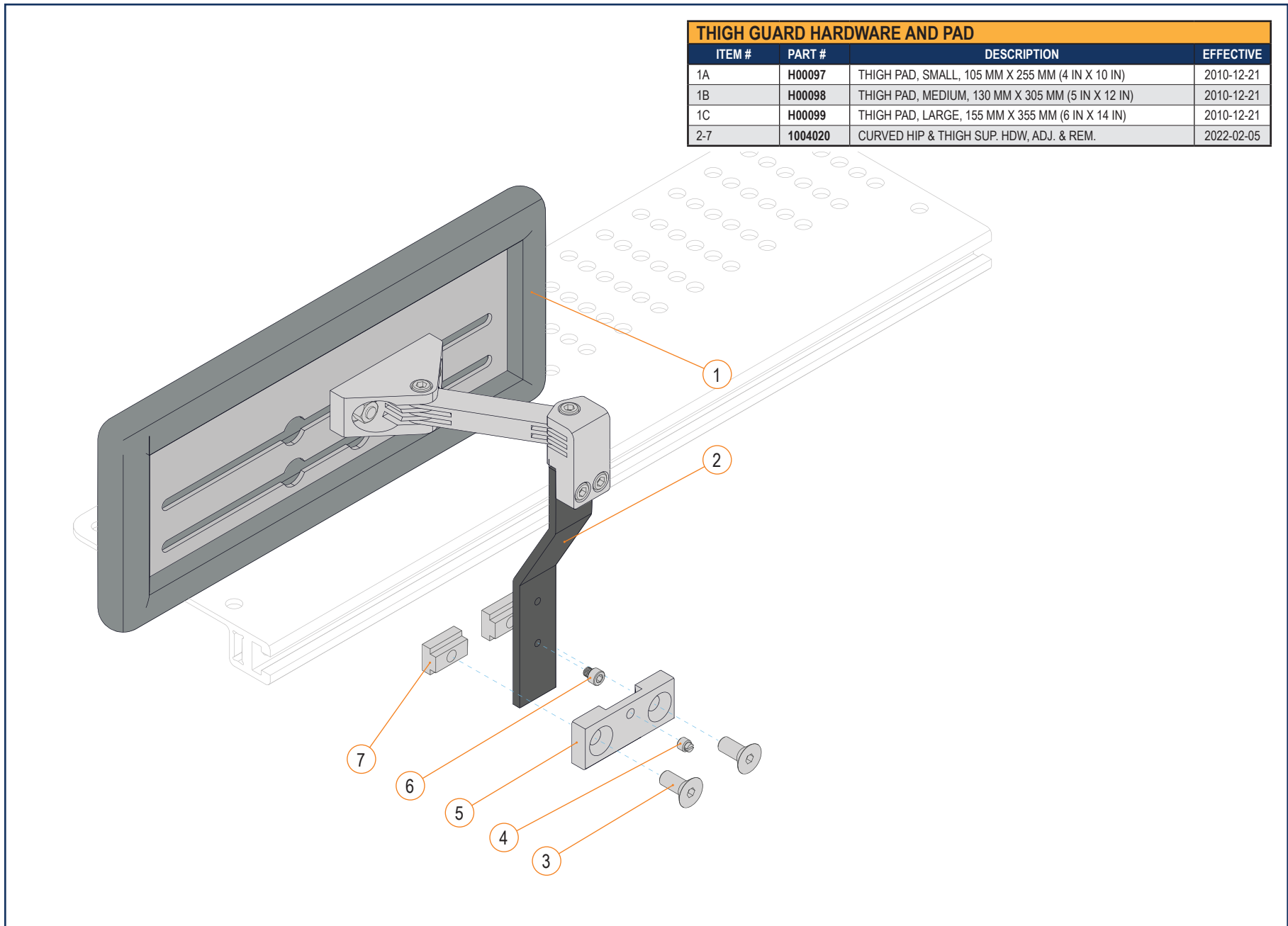


SIGNATURE SWING AWAY LATERAL TRUNK SUPPORT			
ITEM #	PART #	DESCRIPTION	EFFECTIVE
1A, 2, 3	1005316	KIT, ADJ. LATERAL S-A HDW MOUNT, STS, LH [E1028]	2025-06-23
1B, 2, 3	1005317	KIT, ADJ. LATERAL S-A HDW MOUNT, STS, RH [E1028]	2025-06-23
4A	H00031	LATERAL CURVED PAD, S, 75MM (3IN) X 130MM (5IN)	2008-04-30
4B	H00032	LATERAL CURVED PAD, M, 105MM (4IN) X 155MM (6IN)	2008-04-30
4C	H00033	LATERAL CURVED PAD, L, 130MM (5IN) X 180MM (7IN)	2008-04-30



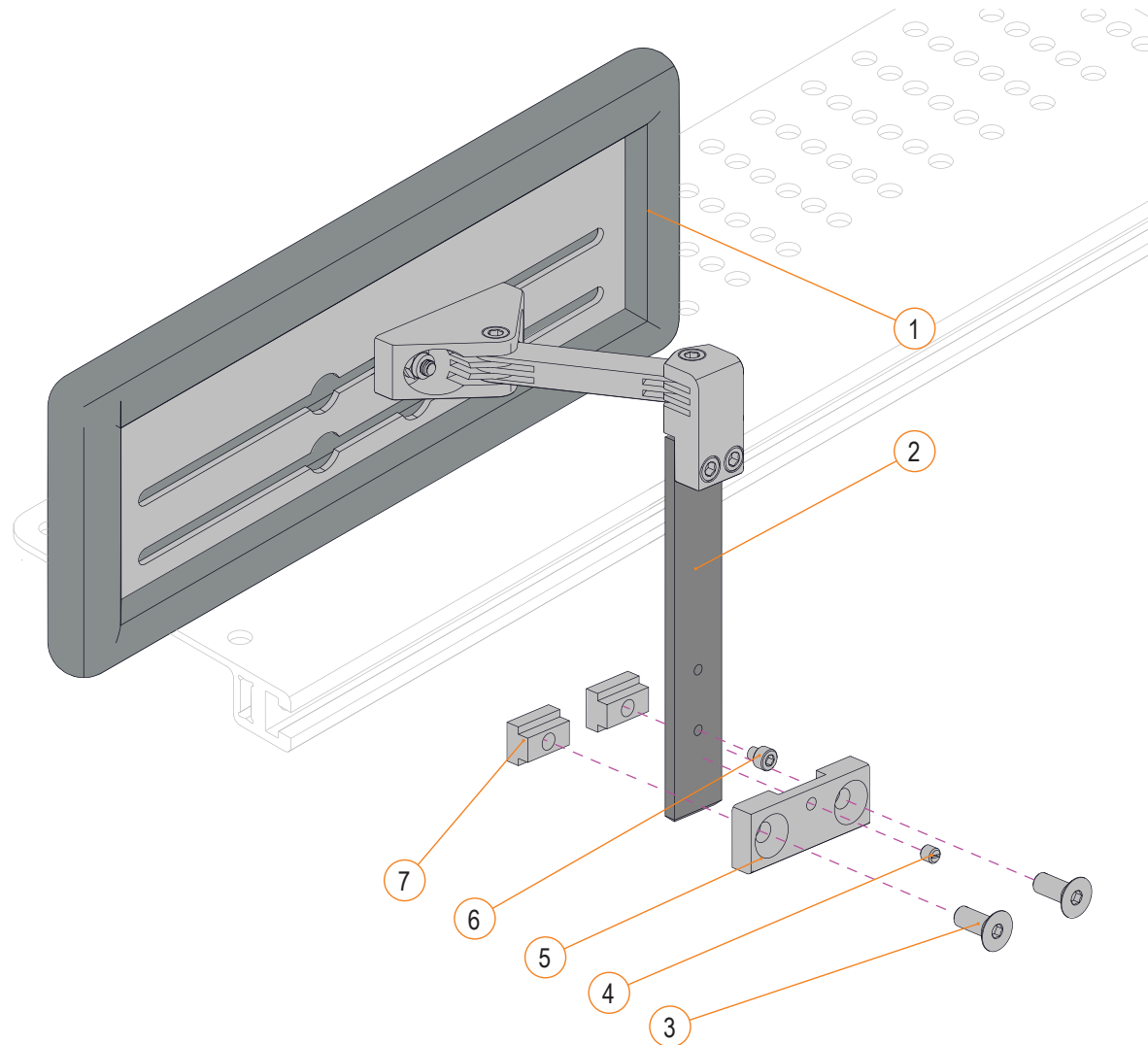
THIGH GUARD HARDWARE AND PAD			
ITEM #	PART #	DESCRIPTION	EFFECTIVE
1A	H00097	THIGH PAD, SMALL, 105 MM X 255 MM (4 IN X 10 IN)	2010-12-21
1B	H00098	THIGH PAD, MEDIUM, 130 MM X 305 MM (5 IN X 12 IN)	2010-12-21
1C	H00099	THIGH PAD, LARGE, 155 MM X 355 MM (6 IN X 14 IN)	2010-12-21
2-7	C-9612	ADJUSTABLE REMOVABLE THIGH GUARD HARDWARE	2014-01-29

HIP & THIGH SUPPORT - SECTION 2.7.2

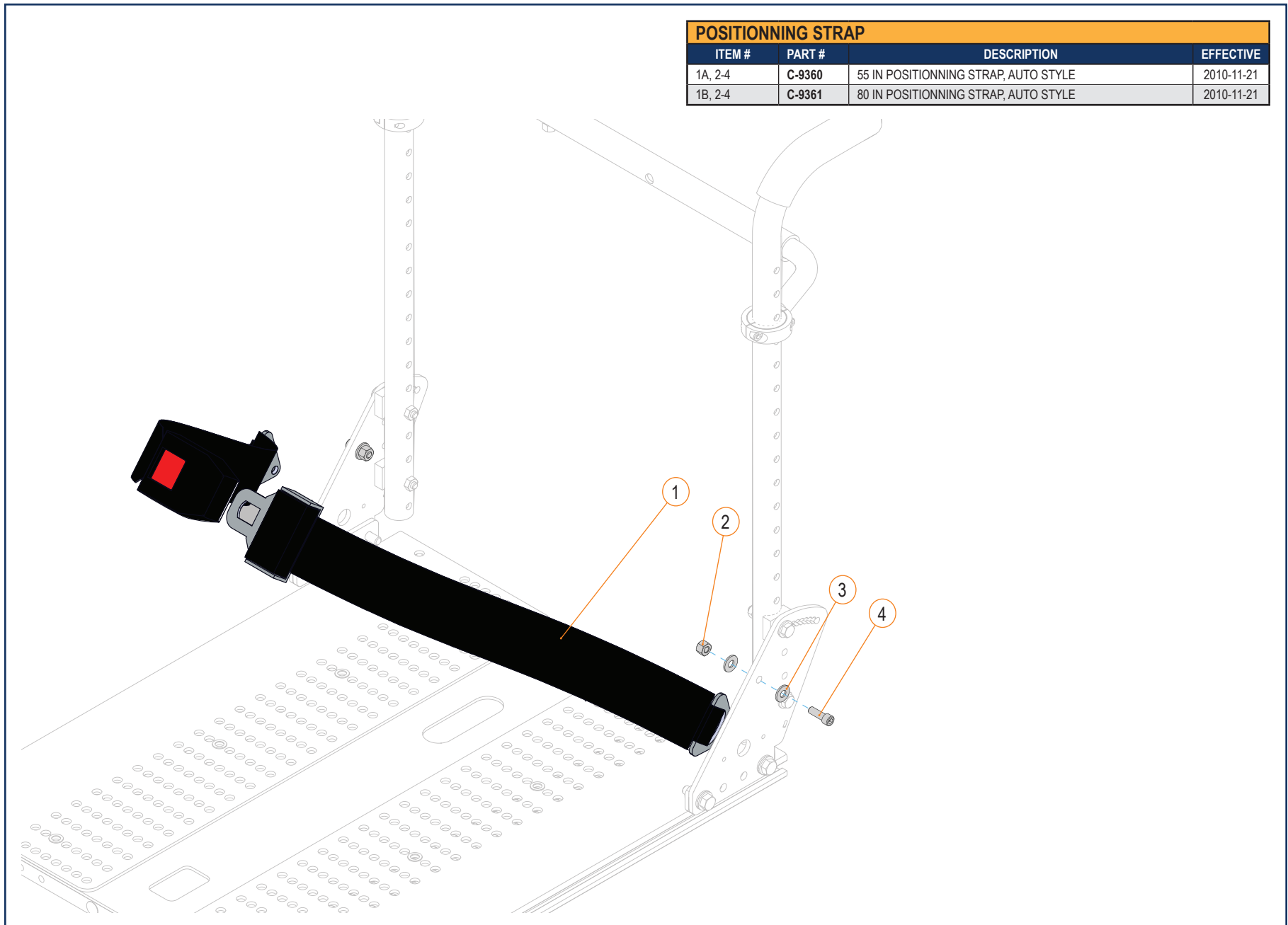


THIGH GUARD HARDWARE AND PAD			
ITEM #	PART #	DESCRIPTION	EFFECTIVE
1A	H00097	THIGH PAD, SMALL, 105 MM X 255 MM (4 IN X 10 IN)	2010-12-21
1B	H00098	THIGH PAD, MEDIUM, 130 MM X 305 MM (5 IN X 12 IN)	2010-12-21
1C	H00099	THIGH PAD, LARGE, 155 MM X 355 MM (6 IN X 14 IN)	2010-12-21
2-7	1004020	CURVED HIP & THIGH SUP. HDW, ADJ. & REM.	2022-02-05

THIGH GUARD HARDWARE AND PAD			
ITEM #	PART #	DESCRIPTION	EFFECTIVE
1A	H00097	THIGH PAD, SMALL, 105 MM X 255 MM (4 IN X 10 IN)	2010-12-21
1B	H00098	THIGH PAD, MEDIUM, 130 MM X 305 MM (5 IN X 12 IN)	2010-12-21
1C	H00099	THIGH PAD, LARGE, 155 MM X 355 MM (6 IN X 14 IN)	2010-12-21
2-7	1004021	STRAIGHT HIP & THIGH SUP. HDW, ADJ. & REM.	2021-07-05

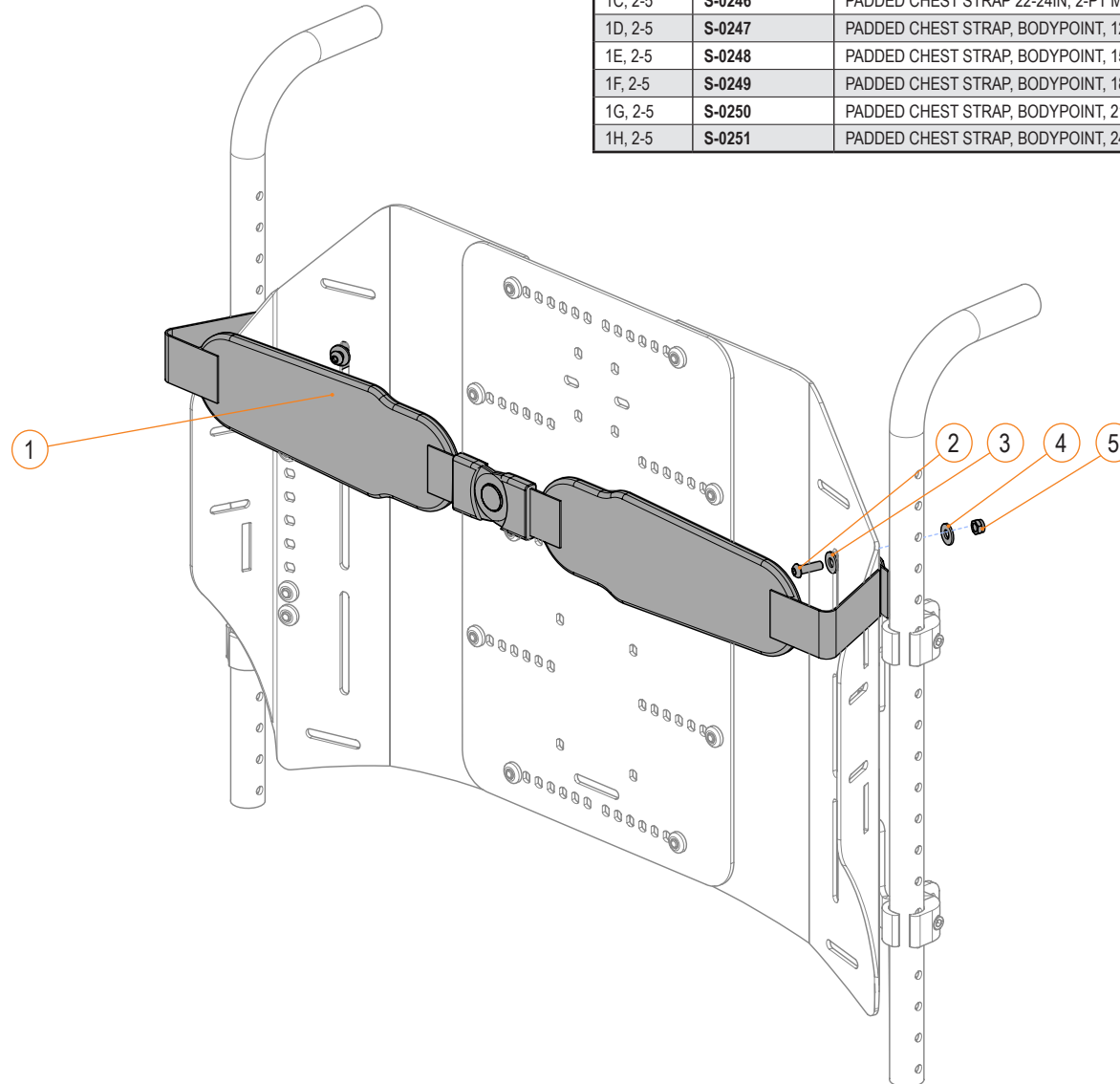


STRAPS AND BELTS - SECTION 2.7.3

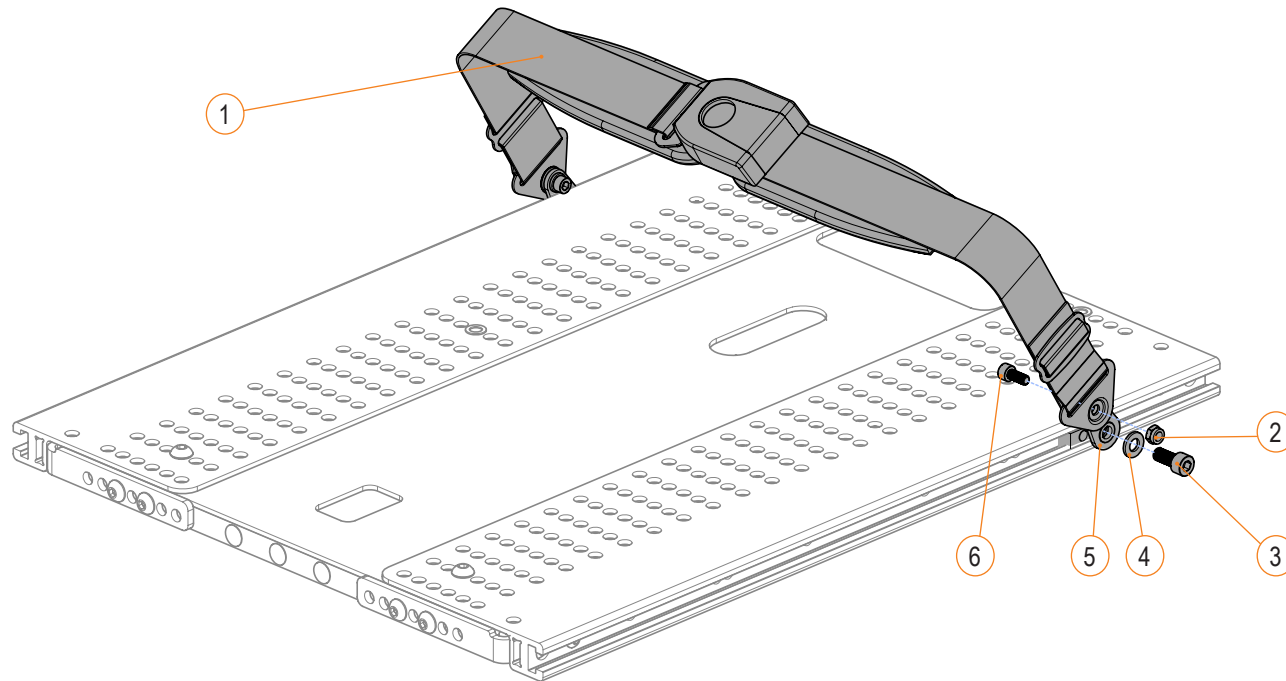


POSITIONING STRAP			
ITEM #	PART #	DESCRIPTION	EFFECTIVE
1A, 2-4	C-9360	55 IN POSITIONING STRAP, AUTO STYLE	2010-11-21
1B, 2-4	C-9361	80 IN POSITIONING STRAP, AUTO STYLE	2010-11-21

PADDED CHEST STRAP			
ITEM #	PART #	DESCRIPTION	EFFECTIVE
1A, 2-5	S-0244	PADDED CHEST STRAP 14-17IN, 2-PT MAGNETIC CTR PULL	2019-09-03
1B, 2-5	S-0245	PADDED CHEST STRAP 18-21IN, 2-PT MAGNETIC CTR PULL	2019-09-03
1C, 2-5	S-0246	PADDED CHEST STRAP 22-24IN, 2-PT MAGNETIC CTR PULL	2019-09-03
1D, 2-5	S-0247	PADDED CHEST STRAP, BODYPOINT, 12.25IN	2018-04-10
1E, 2-5	S-0248	PADDED CHEST STRAP, BODYPOINT, 15.5IN	2018-04-10
1F, 2-5	S-0249	PADDED CHEST STRAP, BODYPOINT, 18.25IN	2018-04-10
1G, 2-5	S-0250	PADDED CHEST STRAP, BODYPOINT, 21.5IN	2018-04-10
1H, 2-5	S-0251	PADDED CHEST STRAP, BODYPOINT, 24.5IN	2018-04-10

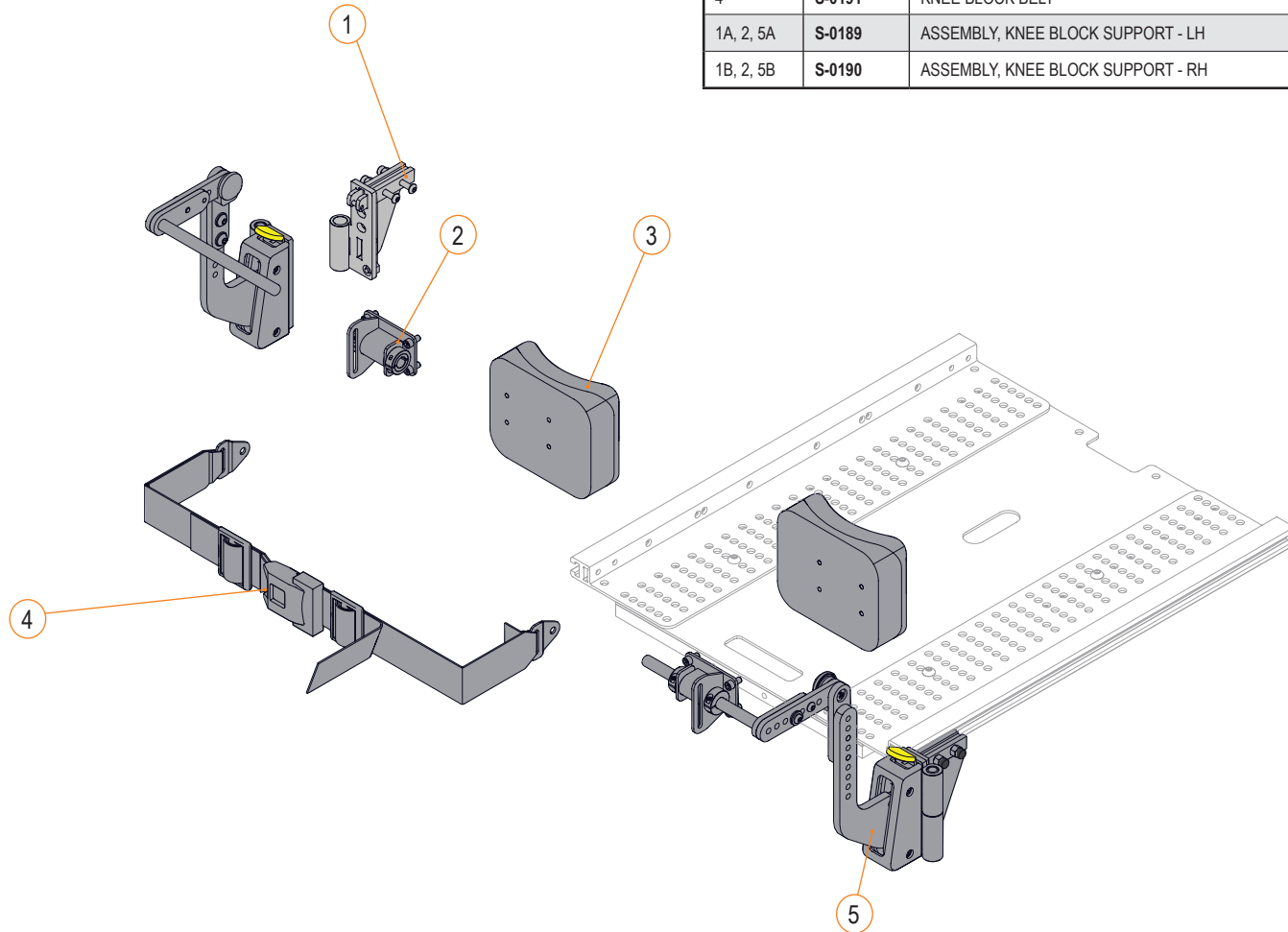


PADDED HIP BELT			
ITEM #	PART #	DESCRIPTION	EFFECTIVE
1A, 2-6	S-0252	PADDED HIP BELT 14-17IN, 2-PT MAGNETIC CTR PULL	2019-09-03
1B, 2-6	S-0253	PADDED HIP BELT 18-21IN, 2-PT MAGNETIC CTR PULL	2019-09-03
1C, 2-6	S-0254	PADDED HIP BELT 22-24IN, 2-PT MAGNETIC CTR PULL	2019-09-03
1D, 2-6	S-0255	PADDED HIP BELT (2-PT CTR PULL), BODYPOINT PT, 12.5IN	2018-04-10
1E, 2-6	S-0256	PADDED HIP BELT (2-PT CTR PULL), BODYPOINT PT, 14IN	2018-04-10
1F, 2-6	S-0257	PADDED HIP BELT (2-PT CTR PULL), BODYPOINT PT, 18IN	2018-04-10
1G, 2-6	S-0258	PADDED HIP BELT (2-PT CTR PULL), BODYPOINT PT, 24.5IN	2018-04-10
1H, 2-6	S-0259	PADDED HIP BELT (2-PT CTR PULL), BODYPOINT PT, 32IN	2018-04-10

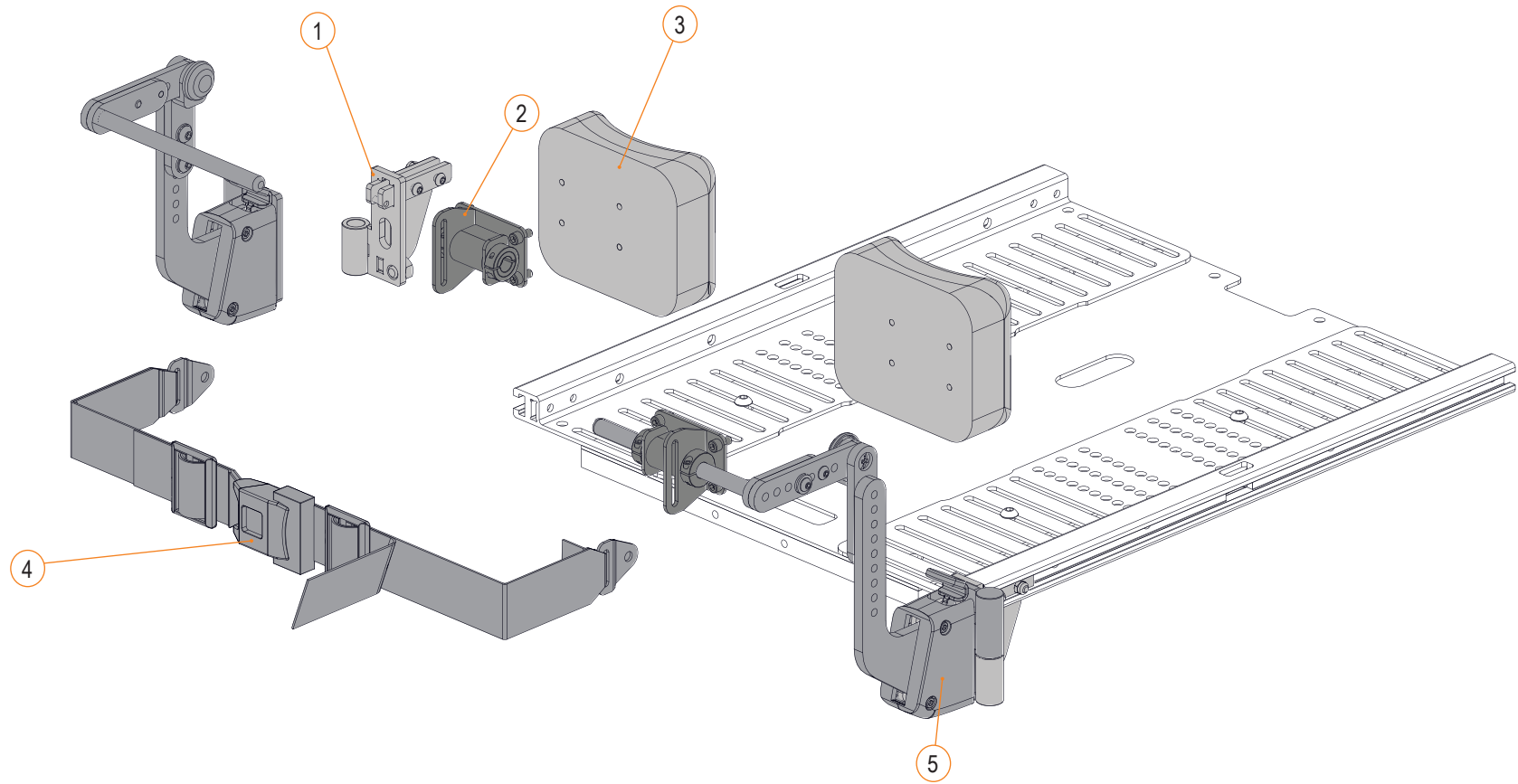


KNEE SUPPORT - SECTION 2.7.4

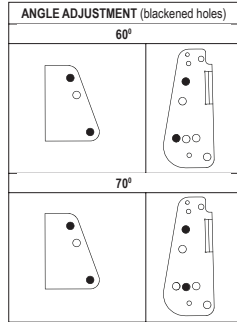
KNEE SUPPORT FOR ASCENT STANDING MODULE			
ITEM #	PART #	DESCRIPTION	PRIOR TO
1A	S-0192	ASSEMBLY, KNEE BLOCK RECEIVER - LH	2025-12-01
1B	S-0193	ASSEMBLY, KNEE BLOCK RECEIVER - RH	2025-12-01
2	S-0187	ASSEMBLY, KNEE SUPPORT PAD HARDWARE	2025-12-01
3	S-0188	KNEE SUPPORT PAD FOR STANDER	2025-12-01
4	S-0191	KNEE BLOCK BELT	2025-12-01
1A, 2, 5A	S-0189	ASSEMBLY, KNEE BLOCK SUPPORT - LH	2025-12-01
1B, 2, 5B	S-0190	ASSEMBLY, KNEE BLOCK SUPPORT - RH	2025-12-01



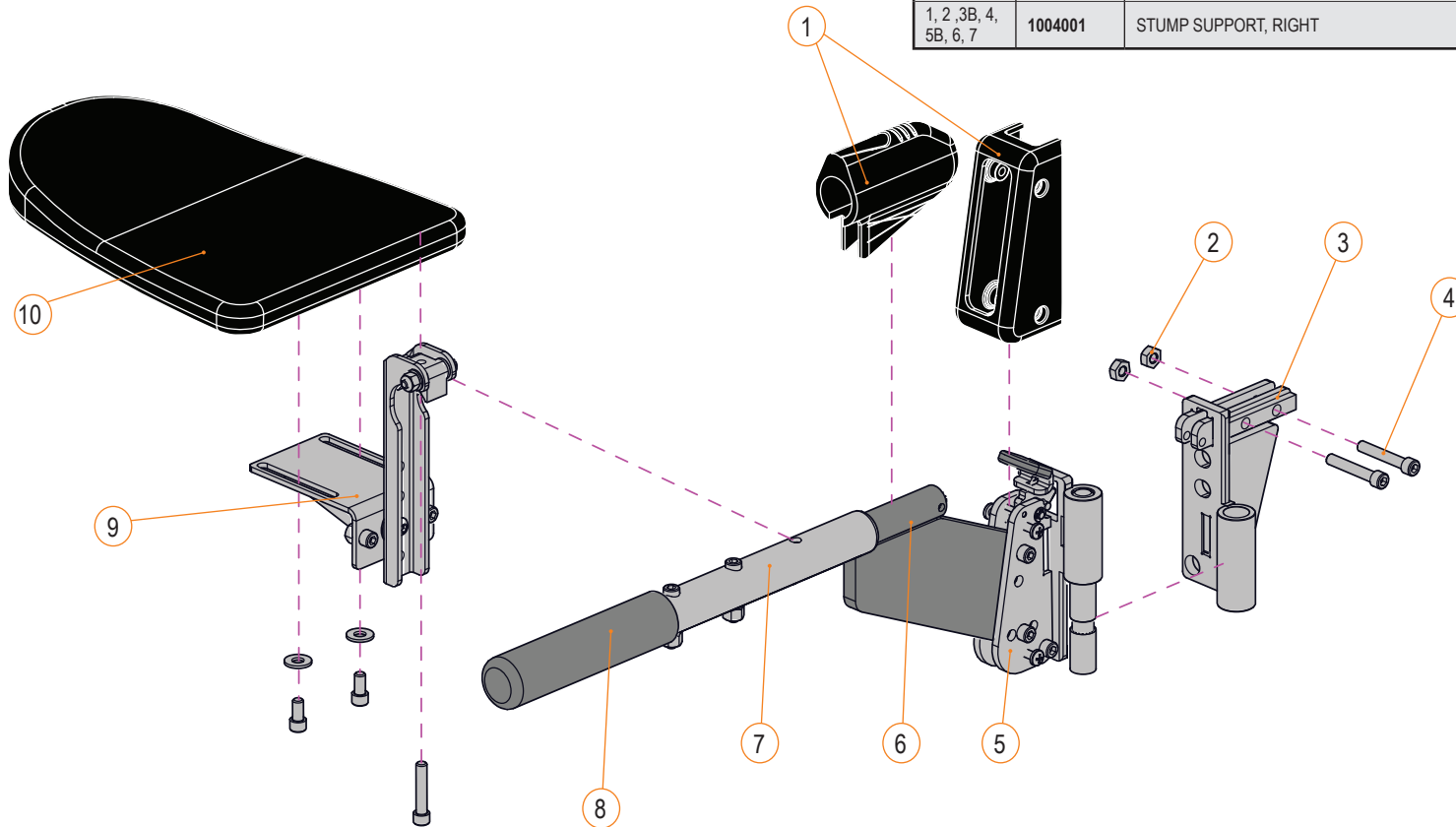
KNEE SUPPORT FOR ASCENT STANDING MODULE			
ITEM #	PART #	DESCRIPTION	EFFECTIVE
1A	1004428-L	ASS'Y, AS FOOTREST RECEIVER, HD, LH	2025-12-01
1B	1004428-R	ASS'Y, AS FOOTREST RECEIVER, HD, RH	2025-12-01
2	S-0187	ASSEMBLY, KNEE SUPPORT PAD HARDWARE	2025-12-01
3	S-0188	KNEE SUPPORT PAD FOR STANDER	2025-12-01
4	S-0191	KNEE BLOCK BELT	2025-12-01
1A, 2, 5A	1005925-L	ASSEMBLY, KNEE BLOCK RECEIVER - LH [E1028]	2025-12-01
1B, 2, 5B	1005925-R	ASSEMBLY, KNEE BLOCK RECEIVER - RH [E1028]	2025-12-01



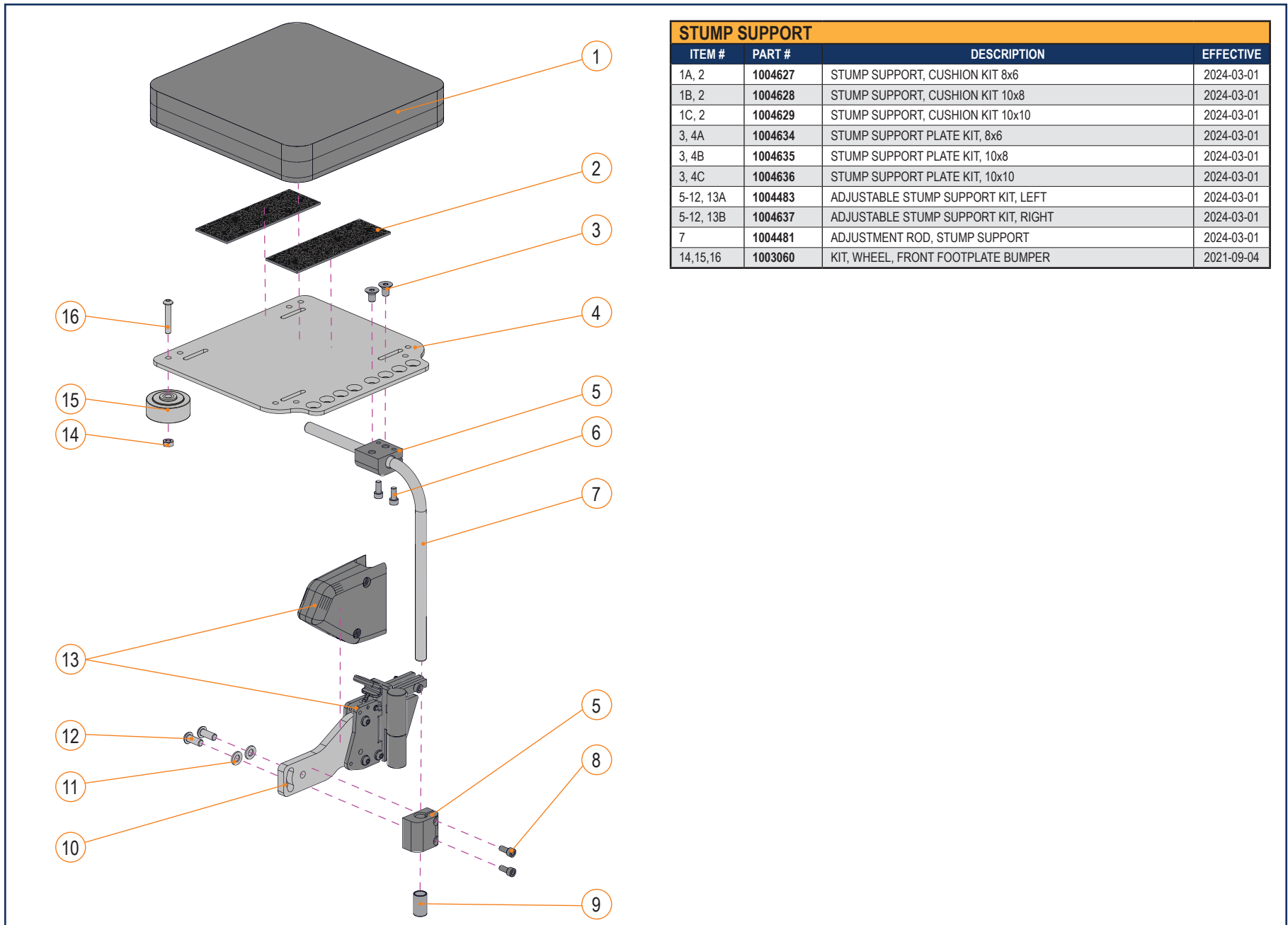
STUMP SUPPORT - SECTION 2.7.5



STUMP SUPPORT			
ITEM #	PART #	DESCRIPTION	EFFECTIVE
1	C-92173	PROTECTION PAD HD FOOT REST	2011-08-19
8	H00063	PUSH HANDLE GRIP	2011-10-31
9A	C-92210	STD CALF PAD MOUNTING BRACKET	2014-01-16
9B	C-92209	HD CALF PAD MOUNTING BRACKET	2014-01-16
10A	H00112	CALF PAD, SMALL, 130 MM X 155 MM (5 IN X 6 IN)	2015-04-13
10B	H00111	CALF PAD, MEDIUM, 155 MM X 180 MM (6 IN X 7 IN)	2015-04-13
10C	H00113	CALF PAD, LARGE, 205 MM X 180 MM (8 IN X 7 IN)	2015-04-13
10D	H00114	CALF PAD, EXTRA LARGE, 155 MM X 180 MM (10 IN X 8 IN)	2015-04-13
1, 2, 3A, 4, 5A, 6, 7	1004000	STUMP SUPPORT, LEFT	2022-01-01
1, 2, 3B, 4, 5B, 6, 7	1004001	STUMP SUPPORT, RIGHT	2022-01-01



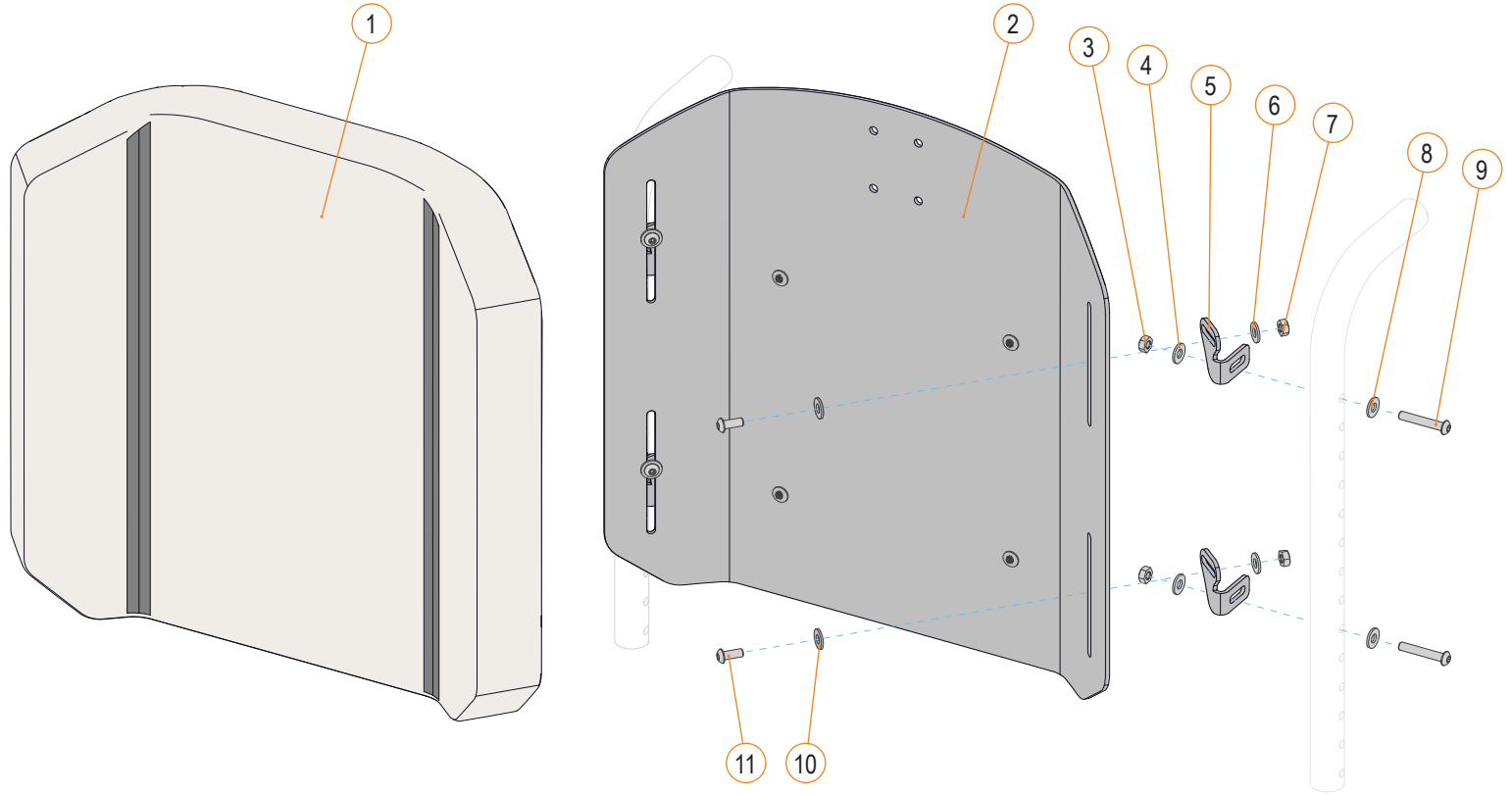
STUMP SUPPORT - SECTION 2.7.5



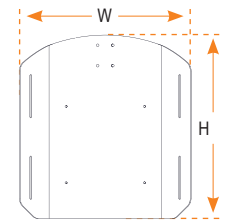
STUMP SUPPORT			
ITEM #	PART #	DESCRIPTION	EFFECTIVE
1A, 2	1004627	STUMP SUPPORT, CUSHION KIT 8x6	2024-03-01
1B, 2	1004628	STUMP SUPPORT, CUSHION KIT 10x8	2024-03-01
1C, 2	1004629	STUMP SUPPORT, CUSHION KIT 10x10	2024-03-01
3, 4A	1004634	STUMP SUPPORT PLATE KIT, 8x6	2024-03-01
3, 4B	1004635	STUMP SUPPORT PLATE KIT, 10x8	2024-03-01
3, 4C	1004636	STUMP SUPPORT PLATE KIT, 10x10	2024-03-01
5-12, 13A	1004483	ADJUSTABLE STUMP SUPPORT KIT, LEFT	2024-03-01
5-12, 13B	1004637	ADJUSTABLE STUMP SUPPORT KIT, RIGHT	2024-03-01
7	1004481	ADJUSTMENT ROD, STUMP SUPPORT	2024-03-01
14,15,16	1003060	KIT, WHEEL, FRONT FOOTPLATE BUMPER	2021-09-04

**BACK CUSHION - SECTION 2.8.1**

CONTOUR BACK CUSHION			
ITEM #	PART #	DESCRIPTION	EFFECTIVE
1A	H1WWHH-2	CONTOUR BACK COVER	2012-09-14
1A, 1B, 2	1001923-WWHH	CONTOUR BACK SUPPORT	2012-09-14
3,4,5A,6-11	S-0027	CONTOUR BACK MOUNTING HARDWARE, BELOW 21 IN WIDE	2012-09-07
3,4,5B,6-11	S-0028	CONTOUR BACK MOUNTING HARDWARE, 22 IN WIDE AND ABOVE	2012-09-07

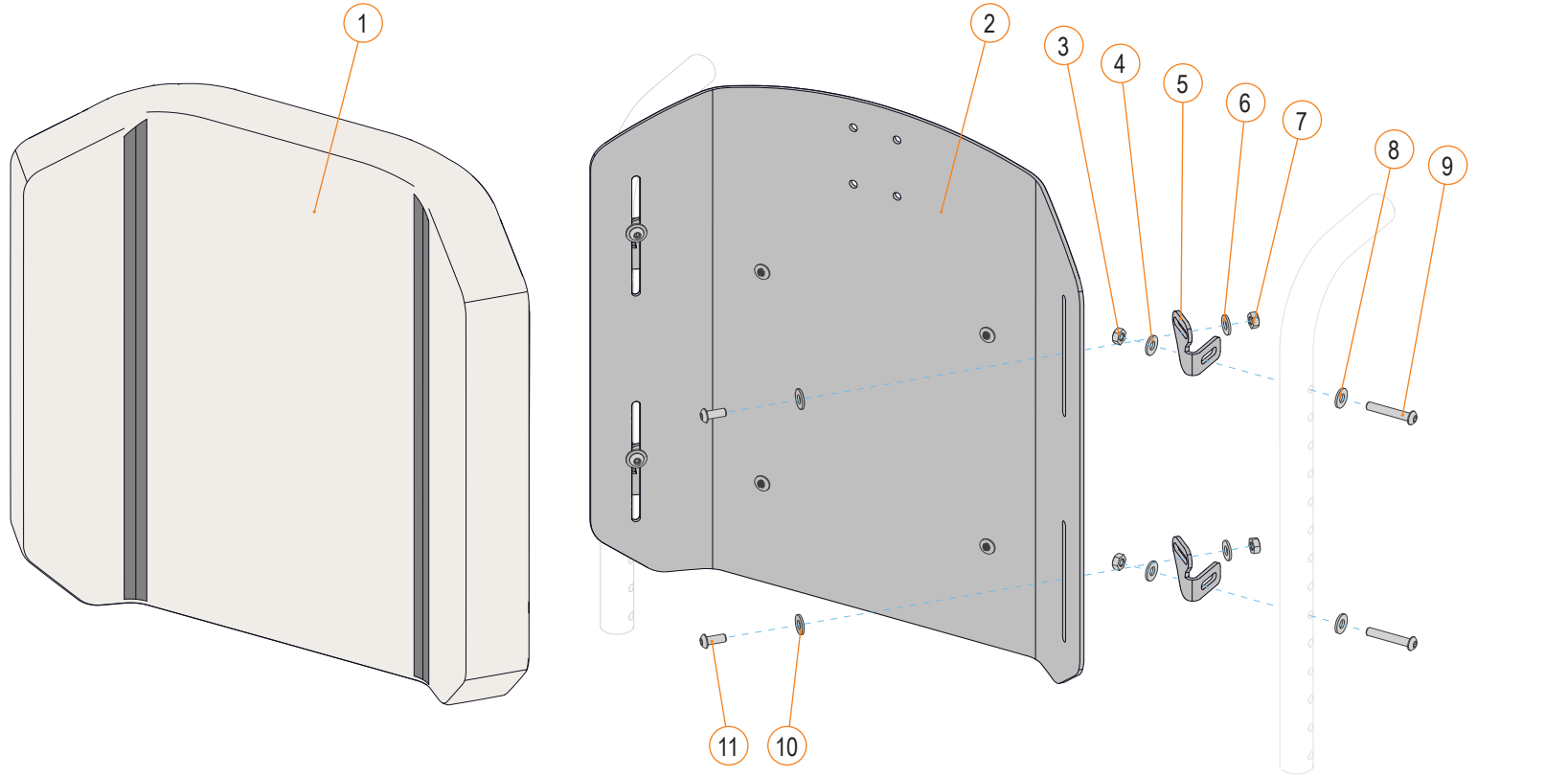


CUSHION CODIFICATIONS	
WIDTH (W) / HEIGHT (H)	
(HEIGHTS ONLY AVAILABLE IN EVEN NUMBERS)	
EXAMPLE: H11416-2	
COVER WITH A WIDTH OF 14 IN. AND A HEIGHT OF 16 IN.	

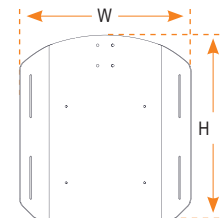


BACK CUSHION - SECTION 2.8.1

CONTOUR BACK CUSHION			
ITEM #	PART #	DESCRIPTION	EFFECTIVE
1A	1004193-WWHH	CONTOUR BACK COVER	2023-05-01
1A, 1B, 2	1001923-WWHH	CONTOUR BACK SUPPORT	2023-05-01
3,4,5A,6-11	S-0027	CONTOUR BACK MOUNTING HARDWARE, BELOW 21 IN WIDE	2023-05-01
3,4,5B,6-11	S-0028	CONTOUR BACK MOUNTING HARDWARE, 22 IN WIDE AND ABOVE	2023-05-01

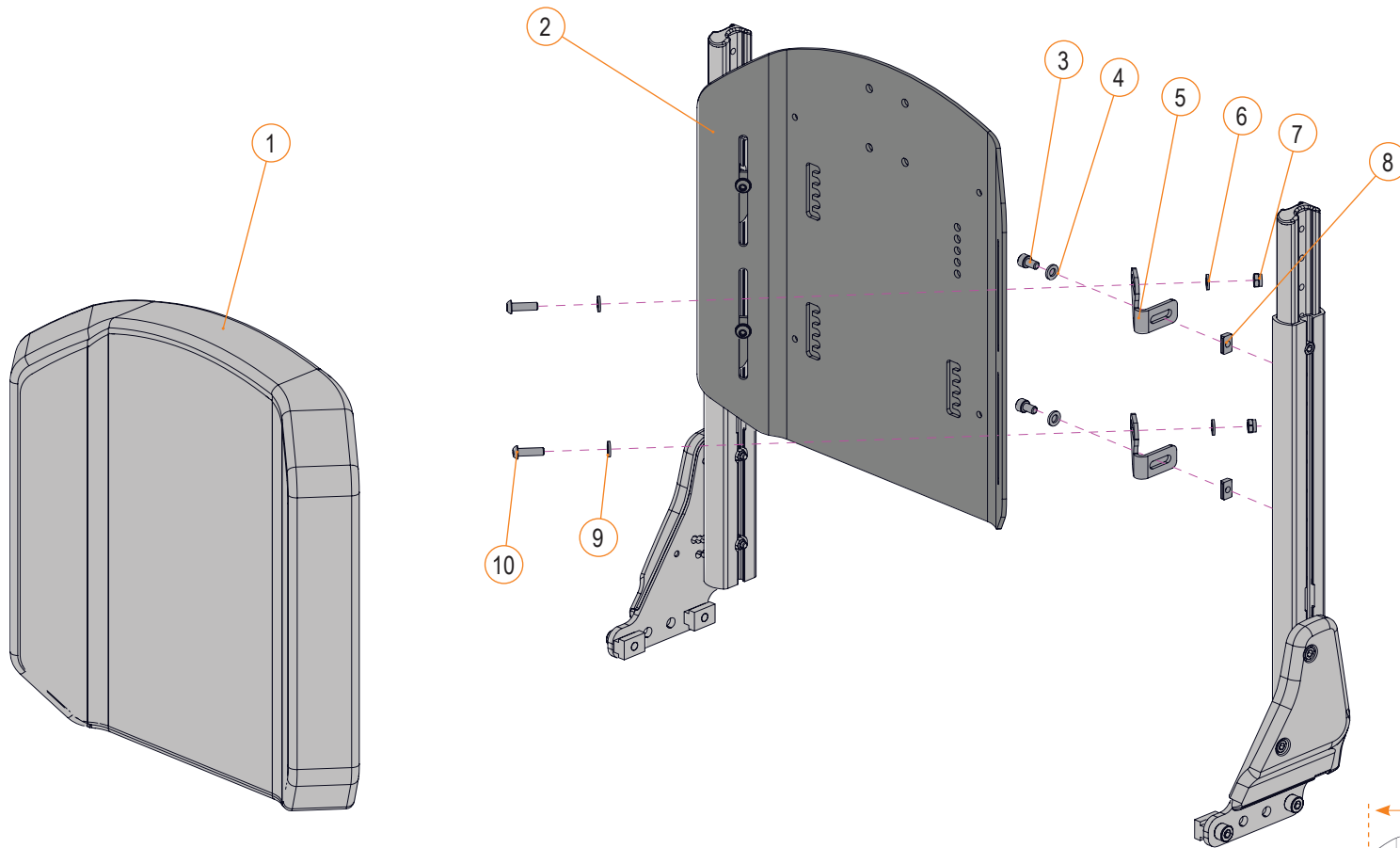


CUSHION CODIFICATIONS
WIDTH (W) / HEIGHT (H) (HEIGHTS ONLY AVAILABLE IN EVEN NUMBERS)
EXAMPLE: H11416-2 COVER WITH A WIDTH OF 14 IN. AND A HEIGHT OF 16 IN.



BACK CUSHION - SECTION 2.8.1

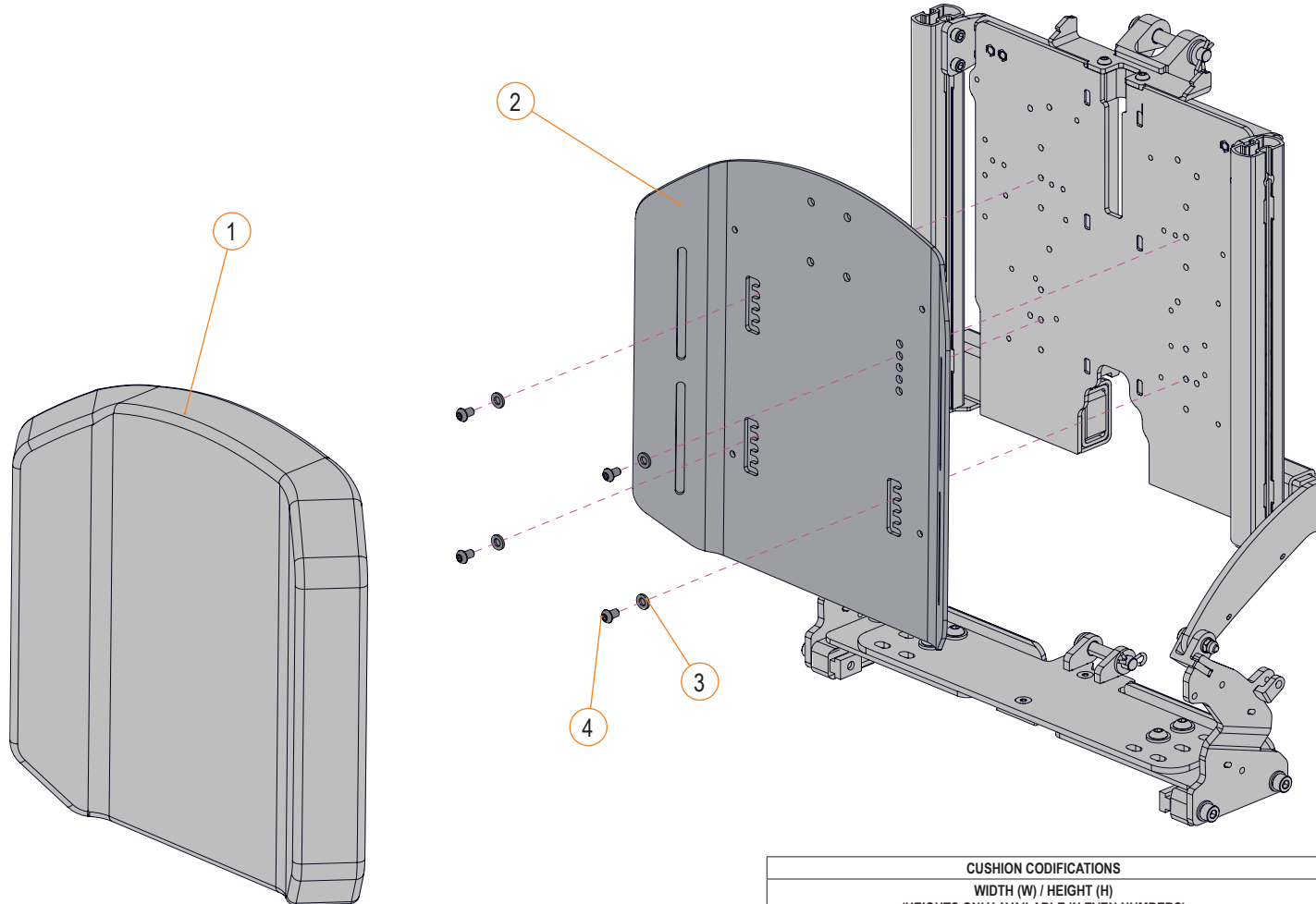
CONTOUR BACK CUSHION SIGNATURE			
ITEM #	PART #	DESCRIPTION	EFFECTIVE
1A	1004193-WWHH	CONTOUR BACK COVER	2025-06-26
1A, 1B, 2	1001923-WWHH	CONTOUR BACK SUPPORT	2025-06-26
3-4,5A,6-10	1005387	CONTOUR BACK MOUNTING HARDWARE, BELOW 21 IN WIDE	2025-06-26
3-4,5B,8-10	1005388	CONTOUR BACK MOUNTING HARDWARE, 22 IN WIDE AND ABOVE	2025-06-26



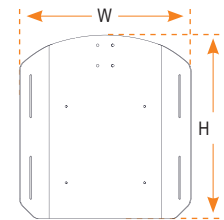
CUSHION CODIFICATIONS
WIDTH (W) / HEIGHT (H)
(HEIGHTS ONLY AVAILABLE IN EVEN NUMBERS)
EXAMPLE: H11416-2
COVER WITH A WIDTH OF 14 IN. AND A HEIGHT OF 16 IN.

BACK CUSHION - SECTION 2.8.1

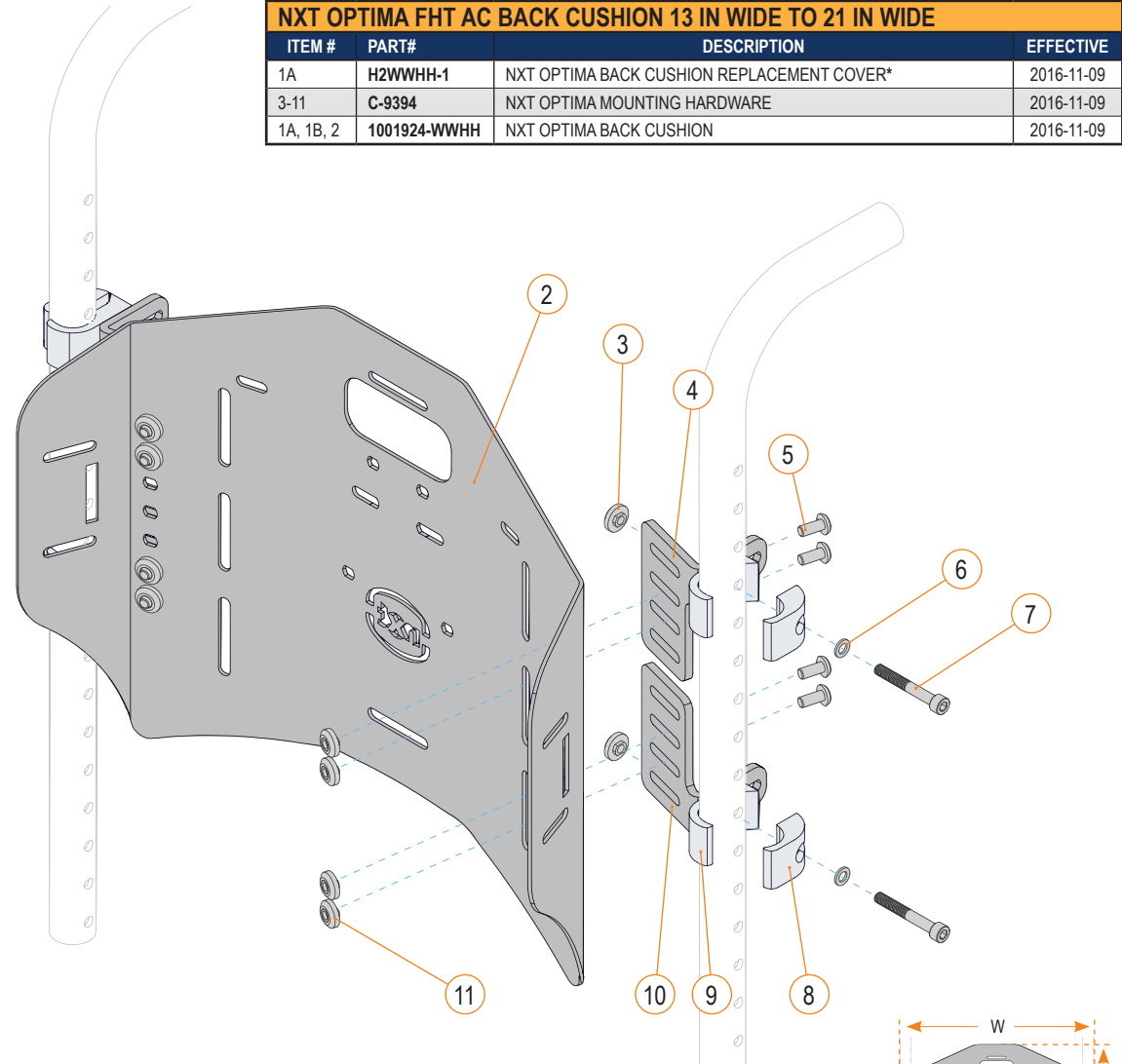
CONTOUR CUSHION FIXED BACK SIGNATURE			
ITEM #	PART #	DESCRIPTION	EFFECTIVE
1A	1004193-WWHH	CONTOUR BACK COVER	2025-06-26
1A, 1B, 2	1001923-WWHH	CONTOUR BACK SUPPORT	2025-06-26
3-4	1005625	MOUNTING HDW FOR CONTOUR BACK, STS RECLINING BACK	2025-06-26



CUSHION CODIFICATIONS
WIDTH (W) / HEIGHT (H)
(HEIGHTS ONLY AVAILABLE IN EVEN NUMBERS)
EXAMPLE: H11416-2
COVER WITH A WIDTH OF 14 IN. AND A HEIGHT OF 16 IN.

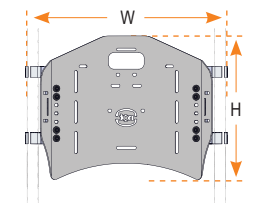


BACK CUSHION - SECTION 2.8.1



NXT OPTIMA FHT AC BACK CUSHION 13 IN WIDE TO 21 IN WIDE			
ITEM #	PART#	DESCRIPTION	EFFECTIVE
1A	H2WWHH-1	NXT OPTIMA BACK CUSHION REPLACEMENT COVER*	2016-11-09
3-11	C-9394	NXT OPTIMA MOUNTING HARDWARE	2016-11-09
1A, 1B, 2	1001924-WWHH	NXT OPTIMA BACK CUSHION	2016-11-09

CUSHION CODIFICATIONS
WIDTH (W) / HEIGHT (H)
(BACK HEIGHTS ARE AVAILABLE IN 13 IN., 16 IN. AND 19 IN. ONLY)
EXAMPLE: H21816-1
CUSHION WITH A WIDTH OF 18 IN. AND A HEIGHT OF 16 IN.

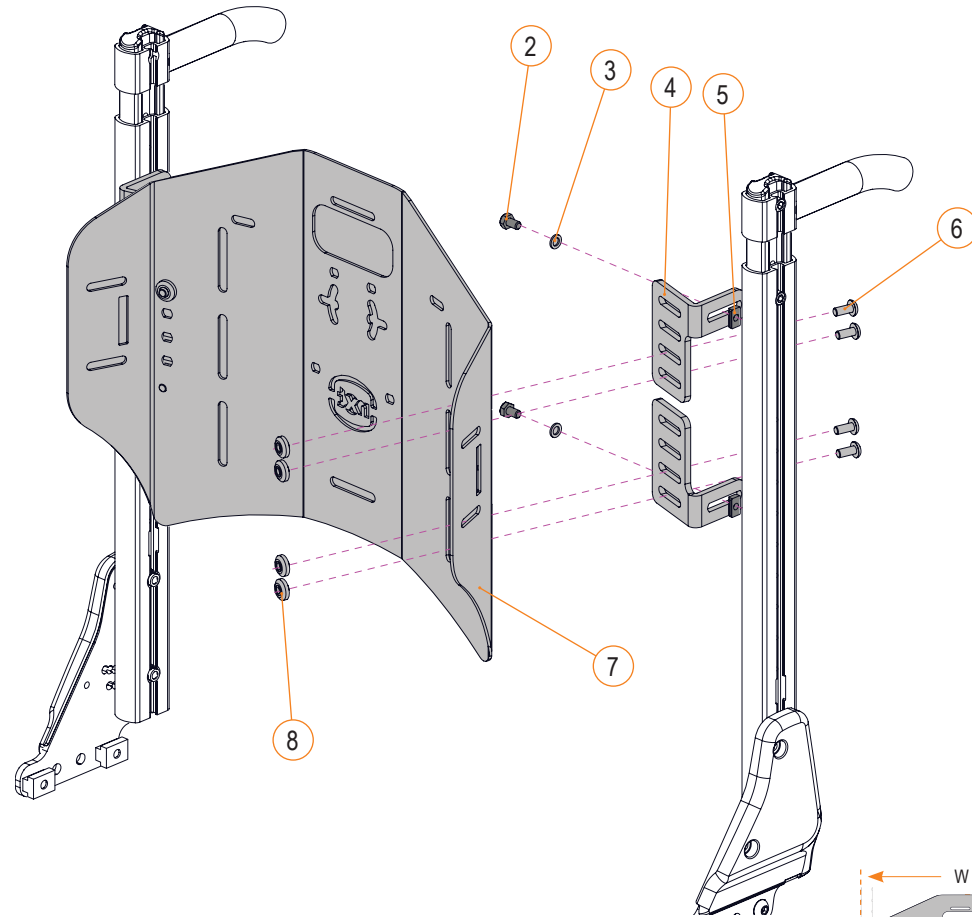


\*NOT AVAILABLE FOR BACKS ORDERED PRIOR TO JULY 31<sup>ST</sup> 2021.

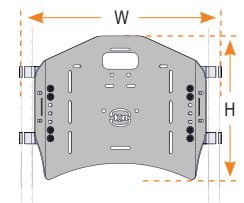
BACK CUSHION - SECTION 2.8.1



NXT OPTIMA FHT AC BACK CUSHION 13 IN WIDE TO 21 IN WIDE SIGNATURE			
ITEM #	PART#	DESCRIPTION	EFFECTIVE
1A	H2WWHH-1	NXT OPTIMA BACK CUSHION REPLACEMENT COVER*	2025-06-26
1A,1B, 6, 7, 8	1001924-WWHH	NXT OPTIMA BACK CUSHION	2025-06-26
2-5	1005626	NXT BACKPLATE INSTALLATION KIT	2025-06-26



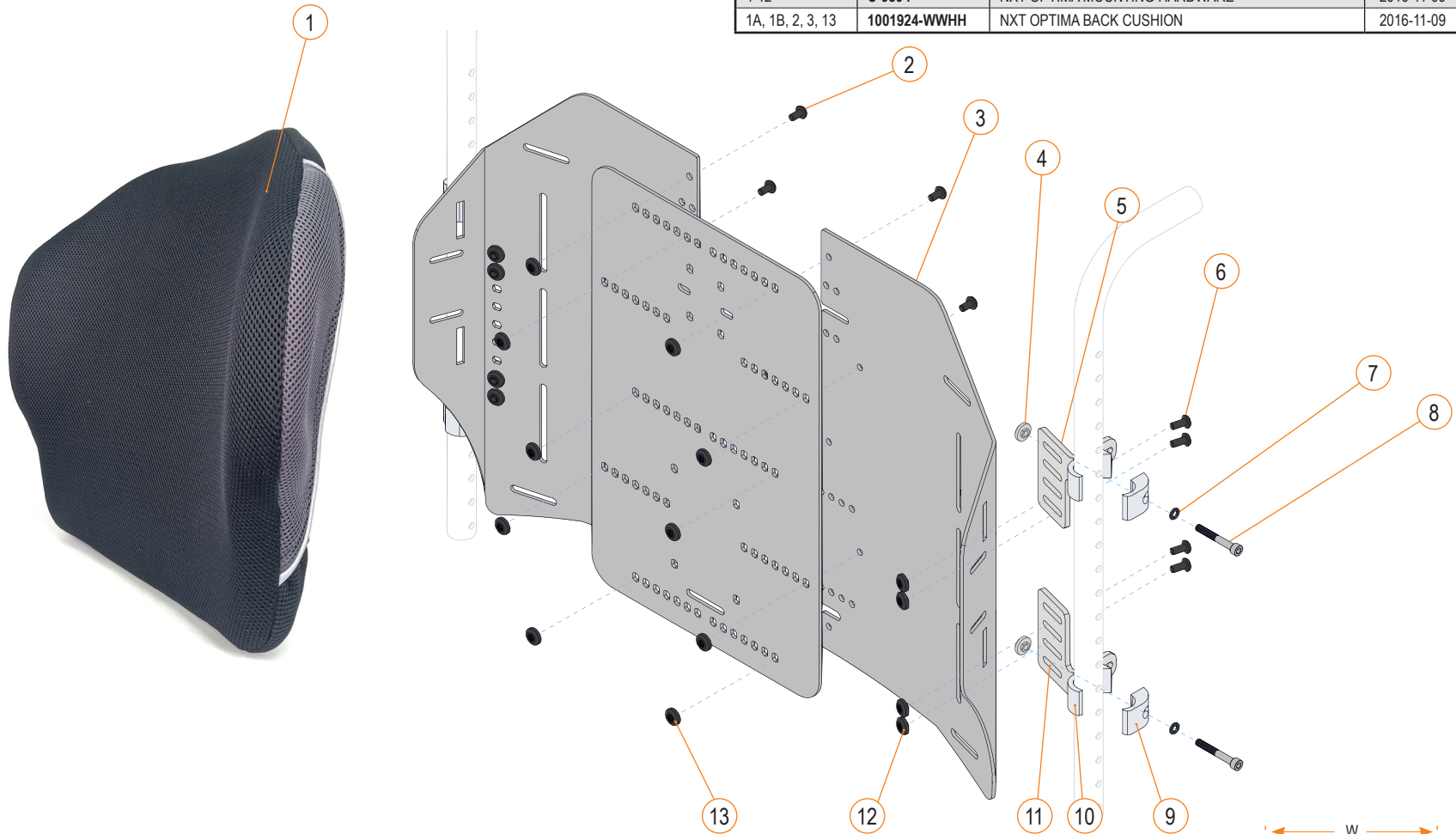
CUSHION CODIFICATIONS	
WIDTH (W) / HEIGHT (H)	
(BACK HEIGHTS ARE AVAILABLE IN 13 IN., 16 IN. AND 19 IN. ONLY)	
EXAMPLE: H21816-1	
CUSHION WITH A WIDTH OF 18 IN. AND A HEIGHT OF 16 IN.	



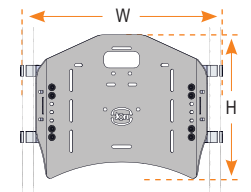
\*NOT AVAILABLE FOR BACKS ORDERED PRIOR TO JULY 31<sup>ST</sup> 2021.

BACK CUSHION - SECTION 2.8.1

NXT OPTIMA FHT AC BACK CUSHION 22 IN WIDE TO 28 IN WIDE			
ITEM #	PART#	DESCRIPTION	EFFECTIVE
1A	H2WWHH-1	NXT OPTIMA BACK CUSHION REPLACEMENT COVER*	2016-11-09
4-12	C-9394	NXT OPTIMA MOUNTING HARDWARE	2016-11-09
1A, 1B, 2, 3, 13	1001924-WWHH	NXT OPTIMA BACK CUSHION	2016-11-09



CUSHION CODIFICATIONS	
WIDTH (W) / HEIGHT (H)	
(BACK HEIGHTS ARE AVAILABLE IN 13 IN., 16 IN. AND 19 IN. ONLY)	
EXAMPLE: H22216-1	
CUSHION WITH A WIDTH OF 22 IN. AND A HEIGHT OF 16 IN.	

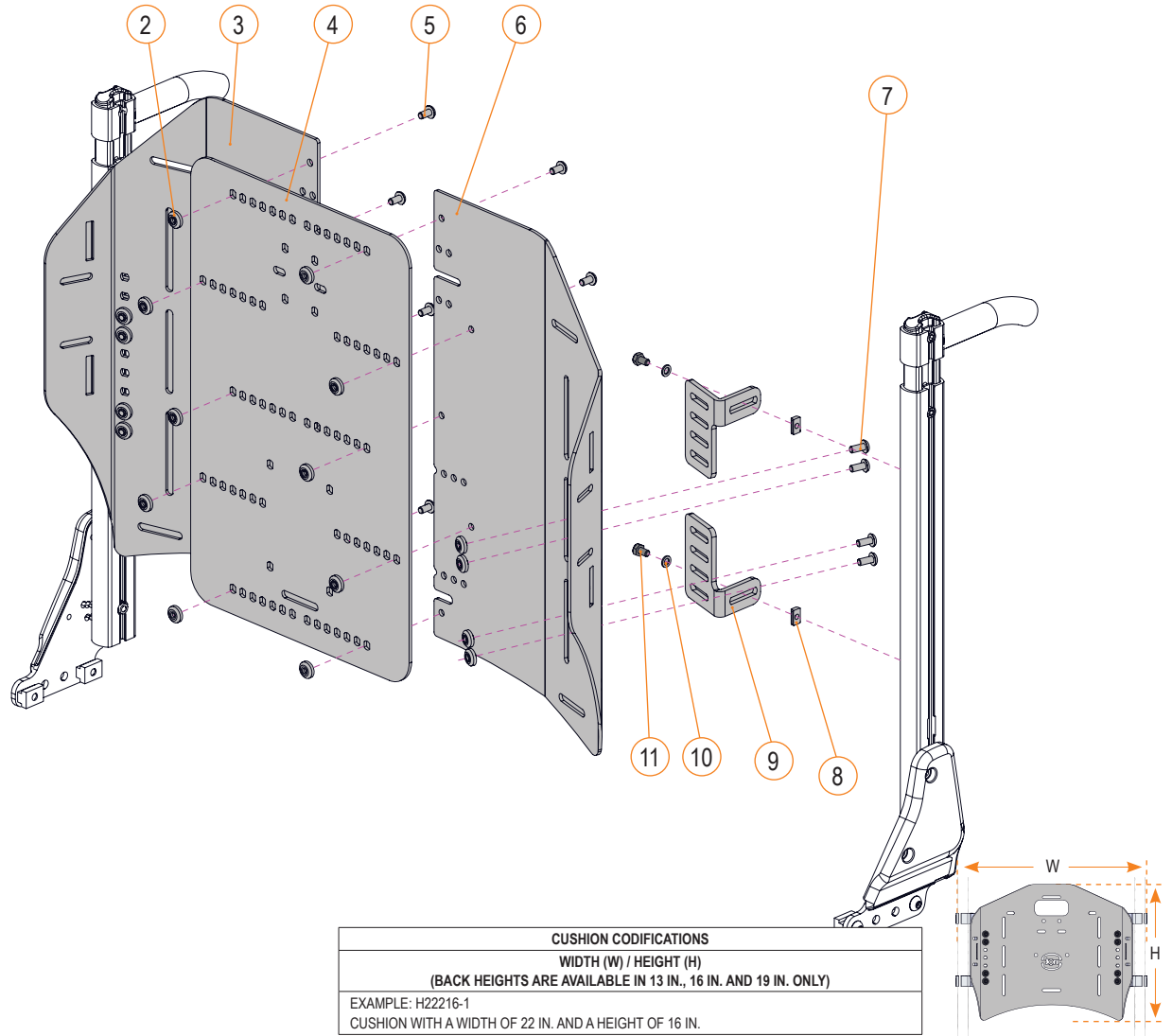


\*NOT AVAILABLE FOR BACKS ORDERED PRIOR TO JULY 31<sup>ST</sup> 2021.

BACK CUSHION - SECTION 2.8.1



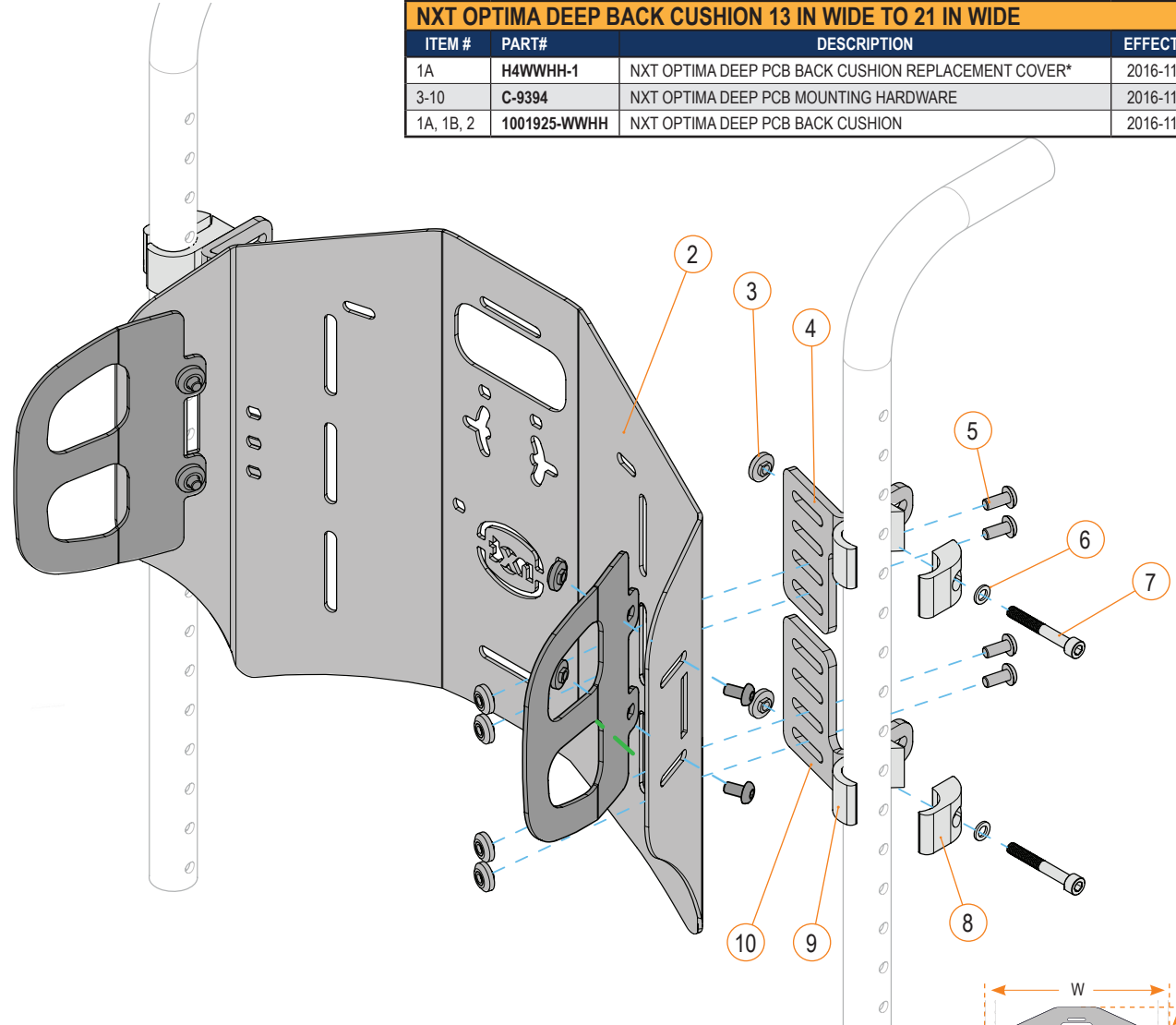
NXT OPTIMA FHT AC BACK CUSHION 22 IN WIDE TO 28 IN WIDE SIGNATURE			
ITEM #	PART#	DESCRIPTION	EFFECTIVE
1A	H2WWHH-1	NXT OPTIMA BACK CUSHION REPLACEMENT COVER*	2025-06-26
1A, 1B, 2-7	1001924-WWHH	NXT OPTIMA BACK CUSHION	2025-06-26
8-11	1005626	NXT BACKPLATE INSTALLATION KIT	2025-06-26



CUSHION CODIFICATIONS	
WIDTH (W) / HEIGHT (H)	
(BACK HEIGHTS ARE AVAILABLE IN 13 IN., 16 IN. AND 19 IN. ONLY)	
EXAMPLE: H22216-1	
CUSHION WITH A WIDTH OF 22 IN. AND A HEIGHT OF 16 IN.	

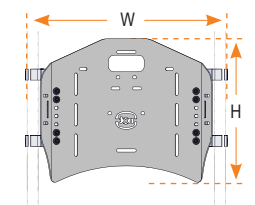
\*NOT AVAILABLE FOR BACKS ORDERED PRIOR TO JULY 31<sup>ST</sup> 2021.

BACK CUSHION - SECTION 2.8.1



NXT OPTIMA DEEP BACK CUSHION 13 IN WIDE TO 21 IN WIDE			
ITEM #	PART#	DESCRIPTION	EFFECTIVE
1A	H4WWHH-1	NXT OPTIMA DEEP PCB BACK CUSHION REPLACEMENT COVER*	2016-11-09
3-10	C-9394	NXT OPTIMA DEEP PCB MOUNTING HARDWARE	2016-11-09
1A, 1B, 2	1001925-WWHH	NXT OPTIMA DEEP PCB BACK CUSHION	2016-11-09

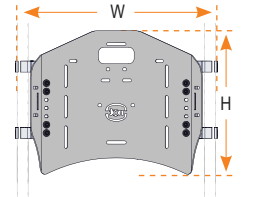
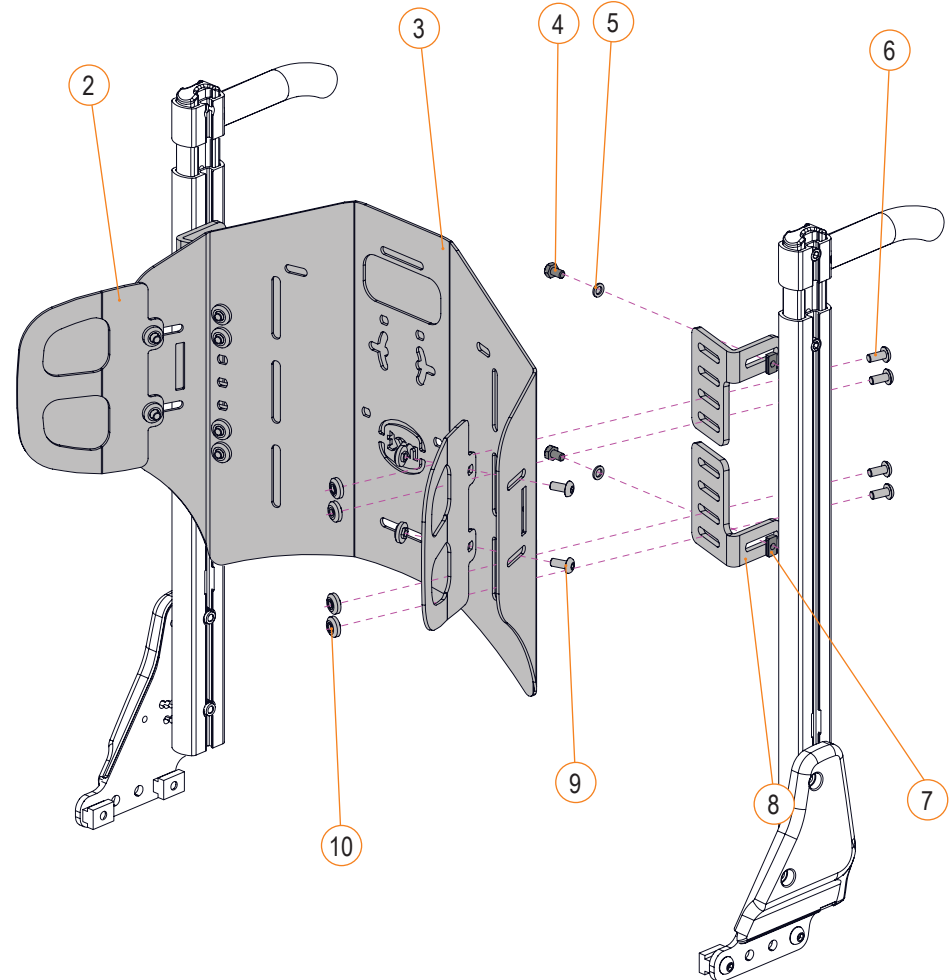
CUSHION CODIFICATIONS
WIDTH (W) / HEIGHT (H)
(BACK HEIGHTS ARE AVAILABLE IN 13 IN., 16 IN. AND 19 IN. ONLY)
EXAMPLE: H41316-1
CUSHION WITH A WIDTH OF 13 IN. AND A HEIGHT OF 16 IN.



\*NOT AVAILABLE FOR BACKS ORDERED PRIOR TO JULY 31<sup>ST</sup> 2021.

BACK CUSHION - SECTION 2.8.1

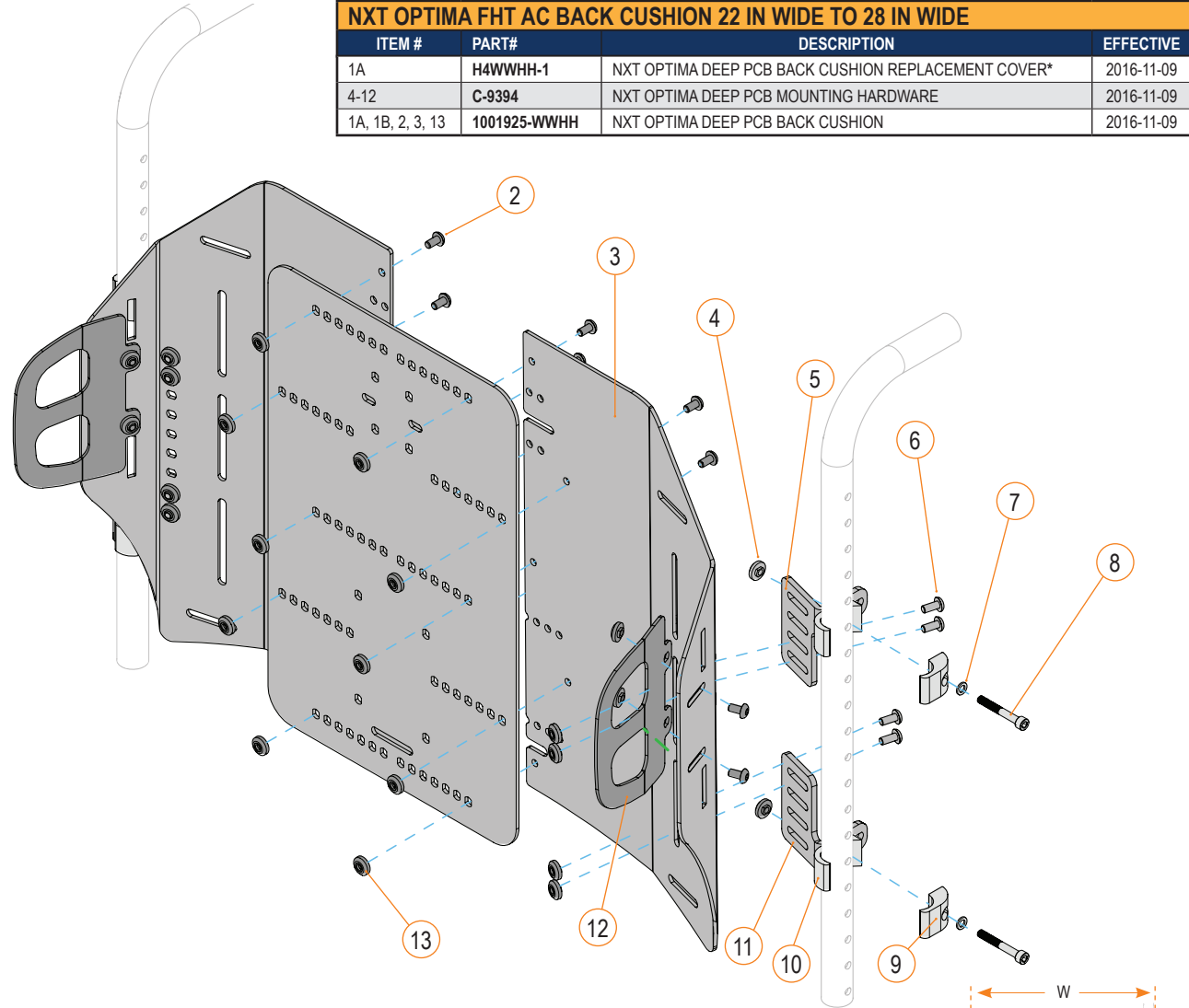
NXT OPTIMA DEEP BACK CUSHION 13 IN WIDE TO 21 IN WIDE SIGNATURE			
ITEM #	PART#	DESCRIPTION	EFFECTIVE
1A	H2WWHH-1	NXT OPTIMA DEEP PCB BACK CUSHION REPLACEMENT COVER*	2025-06-26
1A,1B,2, 3, 6, 10	1001925-WWHH	NXT OPTIMA DEEP PCB BACK CUSHION	2025-06-26
4, 5, 8, 7	1005626	NXT BACKPLATE INSTALLATION KIT	2025-06-26



**CUSHION CODIFICATIONS**  
 WIDTH (W) / HEIGHT (H)  
 (BACK HEIGHTS ARE AVAILABLE IN 13 IN., 16 IN. AND 19 IN. ONLY)  
 EXAMPLE: H41316-1  
 CUSHION WITH A WIDTH OF 13 IN. AND A HEIGHT OF 16 IN.

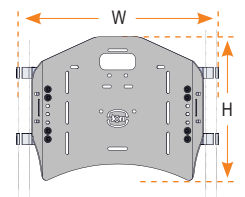
\*NOT AVAILABLE FOR BACKS ORDERED PRIOR TO JULY 31<sup>ST</sup> 2021.

BACK CUSHION - SECTION 2.8.1



NXT OPTIMA FHT AC BACK CUSHION 22 IN WIDE TO 28 IN WIDE			
ITEM #	PART#	DESCRIPTION	EFFECTIVE
1A	H4WWHH-1	NXT OPTIMA DEEP PCB BACK CUSHION REPLACEMENT COVER*	2016-11-09
4-12	C-9394	NXT OPTIMA DEEP PCB MOUNTING HARDWARE	2016-11-09
1A, 1B, 2, 3, 13	1001925-WWHH	NXT OPTIMA DEEP PCB BACK CUSHION	2016-11-09

CUSHION CODIFICATIONS	
WIDTH (W) / HEIGHT (H)	
(BACK HEIGHTS ARE AVAILABLE IN 13 IN., 16 IN. AND 19 IN. ONLY)	
EXAMPLE: H42219-1	
CUSHION WITH A WIDTH OF 22 IN. AND A HEIGHT OF 19 IN.	

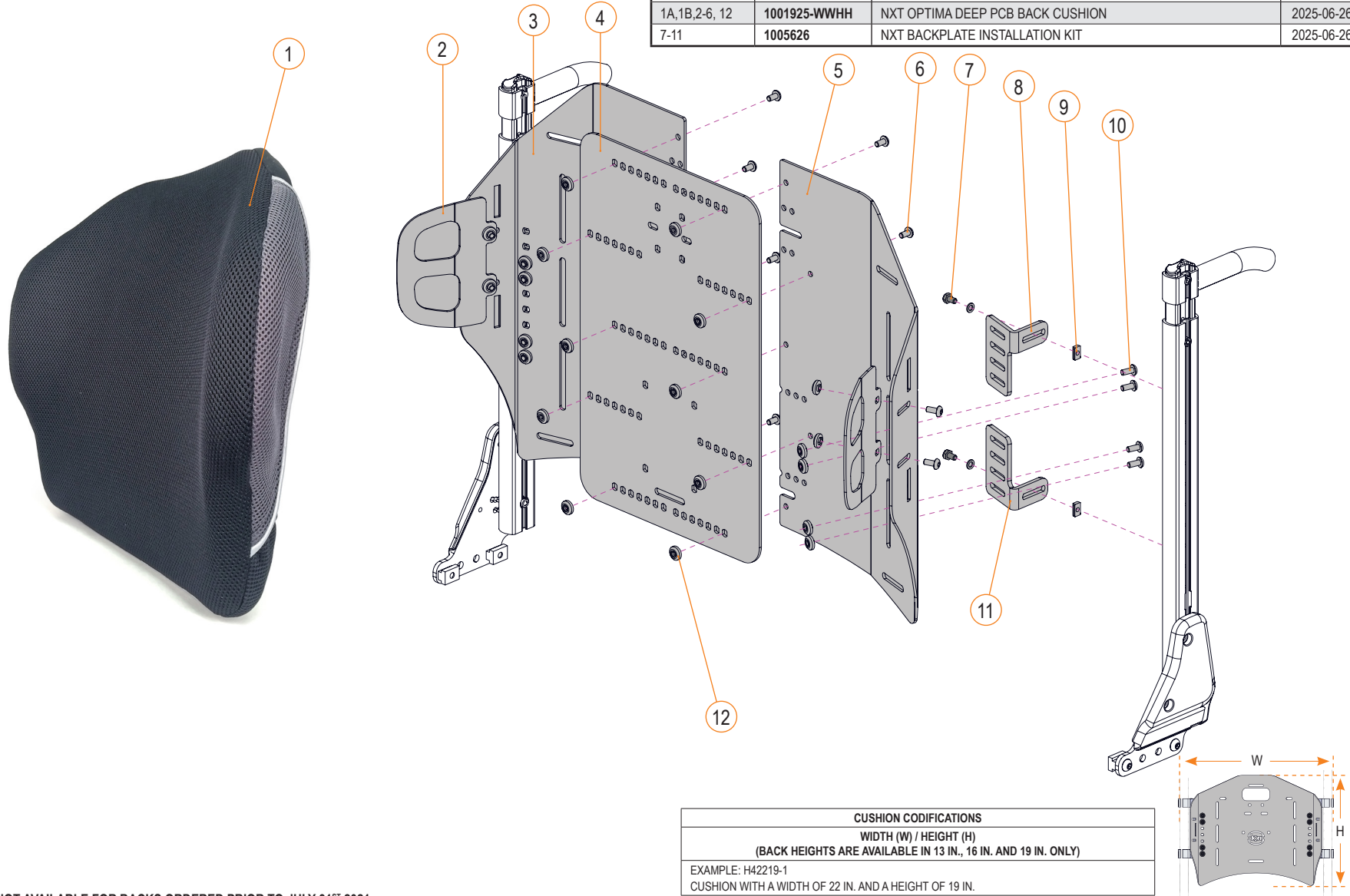


\*NOT AVAILABLE FOR BACKS ORDERED PRIOR TO JULY 31<sup>ST</sup> 2021.

BACK CUSHION - SECTION 2.8.1

**NXT OPTIMA FHT AC BACK CUSHION 22 IN WIDE TO 28 IN WIDE SIGNATURE**

ITEM #	PART#	DESCRIPTION	EFFECTIVE
1A	H2WWHH-1	NXT OPTIMA DEEP PCB BACK CUSHION REPLACEMENT COVER*	2025-06-26
1A,1B,2-6, 12	1001925-WWHH	NXT OPTIMA DEEP PCB BACK CUSHION	2025-06-26
7-11	1005626	NXT BACKPLATE INSTALLATION KIT	2025-06-26

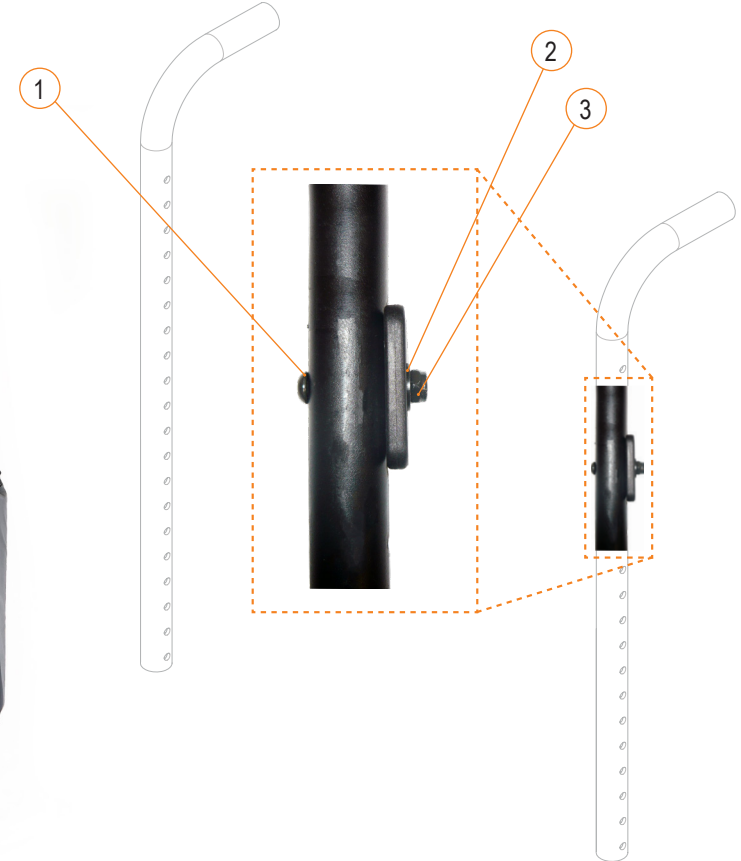


CUSHION CODIFICATIONS	
WIDTH (W) / HEIGHT (H)	
(BACK HEIGHTS ARE AVAILABLE IN 13 IN., 16 IN. AND 19 IN. ONLY)	
EXAMPLE: H42219-1	
CUSHION WITH A WIDTH OF 22 IN. AND A HEIGHT OF 19 IN.	

\*NOT AVAILABLE FOR BACKS ORDERED PRIOR TO JULY 31<sup>ST</sup> 2021.

BACK CUSHION - SECTION 2.8.1

ADJUSTABLE TENSION BACKREST			
ITEM #	PART #	DESCRIPTION	EFFECTIVE
1-3	1003085	KIT, HARDWARE, ADJUSTABLE TENSION BACKREST	2021-05-07
4A	1003072-WWHH-20/-	FLEXIBLE BACK WITH ADJUSTABLE TENSION WWXHH	2021-05-07
4B	1003072-WWHH-21/+	FLEXIBLE BACK WITH ADJUSTABLE TENSION WWXHH	2021-05-07



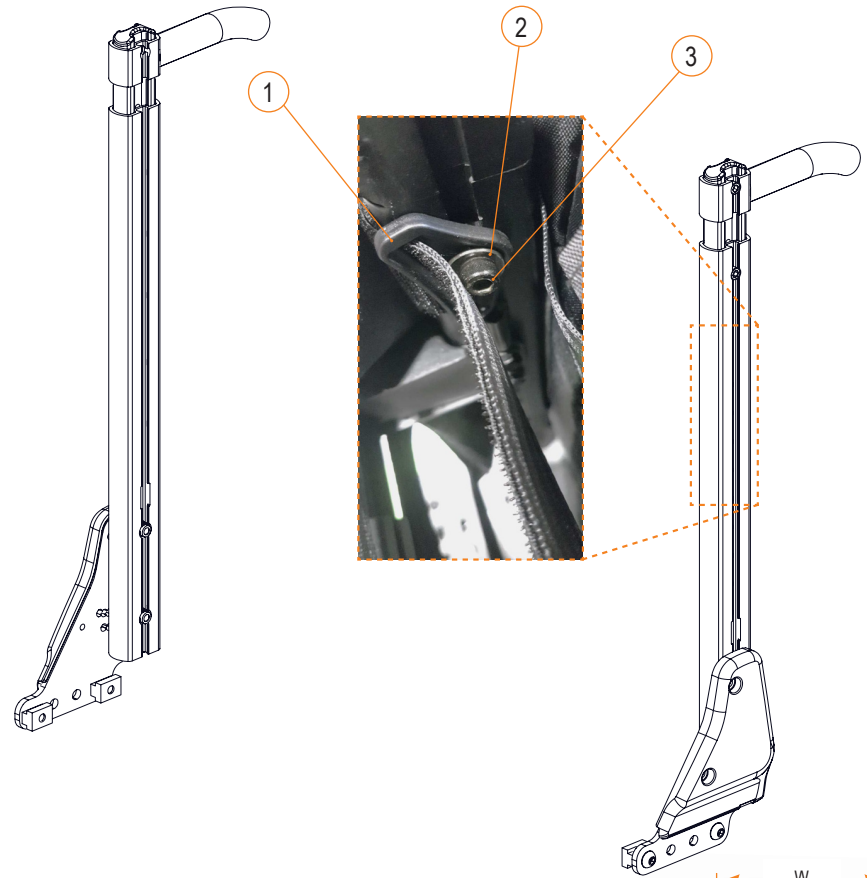
CUSHION CODIFICATIONS	
1003072 / WIDTH (W) / HEIGHT (H)	
EXAMPLE: 1003072-1818-21/-	
COVER WITH A WIDTH OF 18 IN. AND A HEIGHT OF 18 IN.	



BACK CUSHION - SECTION 2.8.1



ADJUSTABLE TENSION BACKREST SIGNATURE			
ITEM #	PART #	DESCRIPTION	EFFECTIVE
1-3	1005909	KIT, SIGNATURE HARDWARE, ADJUSTABLE TENSION BRACKR	2025-06-26
4A	1003072-WWHH-20/-	FLEXIBLE BACK WITH ADJUSTABLE TENSION WWXHH	2025-06-26
4B	1003072-WWHH-21/+	FLEXIBLE BACK WITH ADJUSTABLE TENSION WWXHH	2025-06-26



CUSHION CODIFICATIONS	
1003072 / WIDTH (W) / HEIGHT (H)	
EXAMPLE: 1003072-1818-21/-	
COVER WITH A WIDTH OF 18 IN. AND A HEIGHT OF 18 IN.	



BACK CUSHION - SECTION 2.8.1

MATRIX ELITE E2S BACK			
ITEM #	PART#	DESCRIPTION	EFFECTIVE
1A	1004127-WWHH	MATRIX ELITE E2S BACK COVER	2023-01-01
3-11	1004318	MATRIX MOUNTING HARDWARE	2023-01-01
1A, 1B, 2	1004036-WWHH	MATRIX ELITE E2S BACK	2023-01-01

**CUSHION CODIFICATIONS**

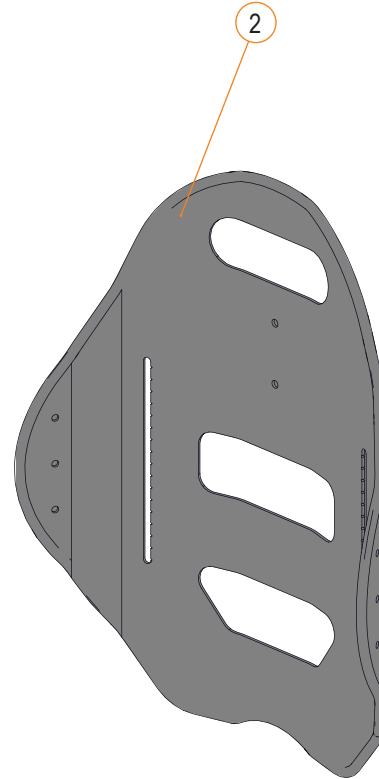
WIDTH (W) / HEIGHT (H)

(BACK HEIGHTS ARE AVAILABLE IN 06, 08, 10, 12, 14, 16, 18 AND 20 INCHES ONLY)

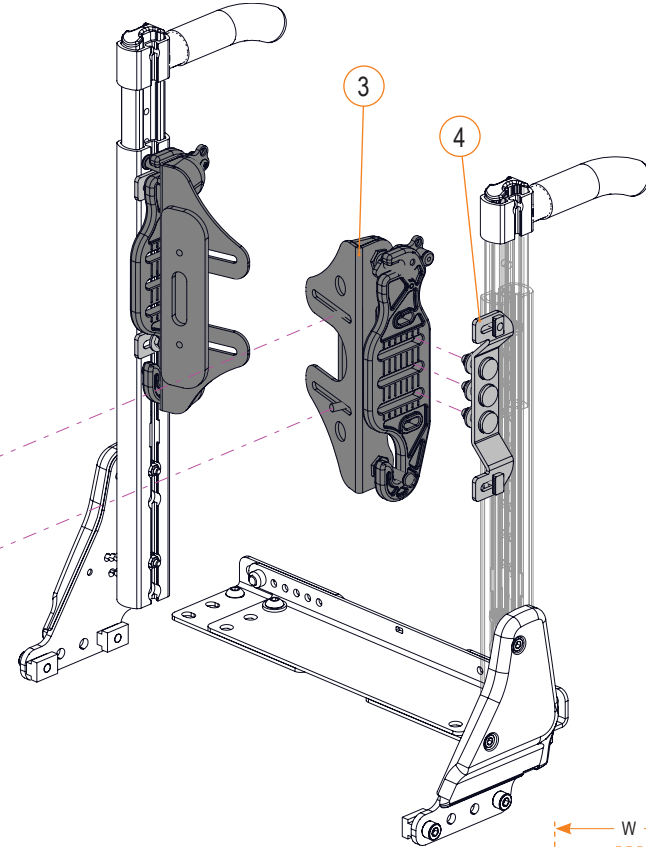
EXAMPLE: 1004127-1616, 1004036-1616

CUSHION WITH A WIDTH OF 16 IN. AND A HEIGHT OF 16 IN.

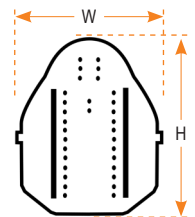
BACK CUSHION - SECTION 2.8.1



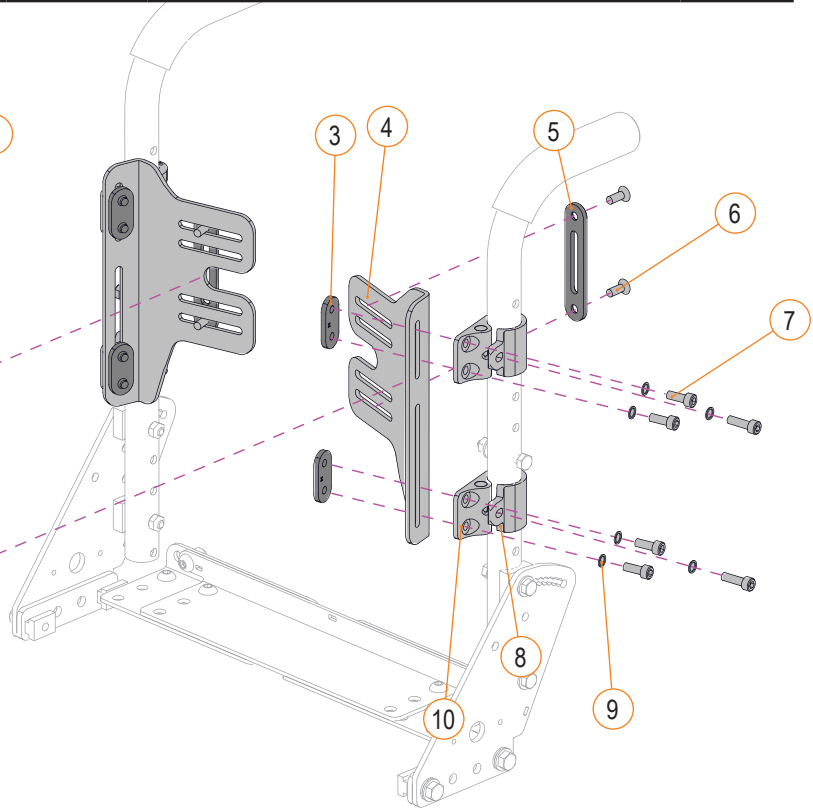
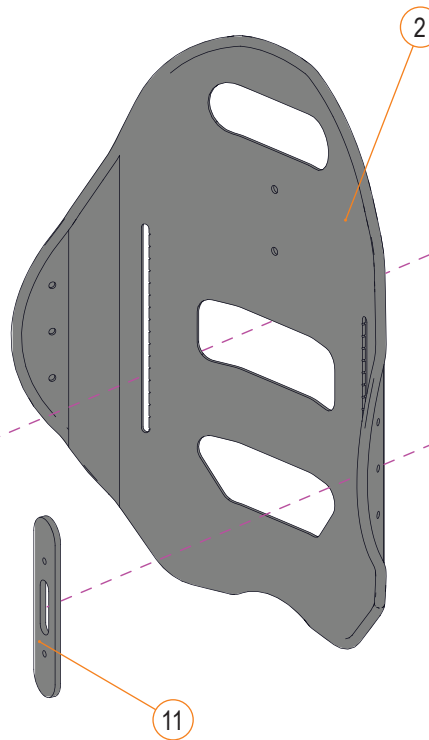
MATRX ELITE E2S SIGNATURE			
ITEM #	PART#	DESCRIPTION	EFFECTIVE
1A	1004127-WWHH	MATRX ELITE E2S BACK COVER	2023-01-01
3	1005635	MATRX EASYSET MOUNTING HARDWARE	2025-06-26
4A	1005645	MATRX INTERFACE DEEP MOUNTING BRACKET, FIXED	2025-06-26
4B	1005646	MATRX INTERFACE SHALLOW MOUNTING BKT, RECLINE	2025-06-26
1A, 1B, 2, 3	1005684-WWHH	MATRX ELITE E2S BACK - COMPLETE [E2615]	2025-06-26



CUSHION CODIFICATIONS	
WIDTH (W) / HEIGHT (H)	
(BACK HEIGHTS ARE AVAILABLE IN 06, 08, 10, 12, 14, 16, 18 AND 20 INCHES ONLY)	
EXAMPLE: 1004127-1616, 1004036-1616	
CUSHION WITH A WIDTH OF 16 IN. AND A HEIGHT OF 16 IN.	

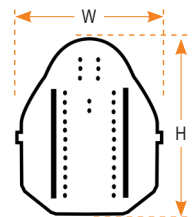


BACK CUSHION - SECTION 2.8.1

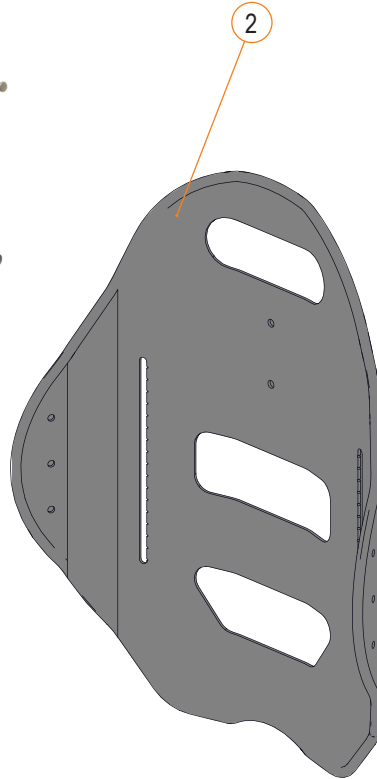


MATRX ELITE E2D DEEP BACK			
ITEM #	PART#	DESCRIPTION	EFFECTIVE
1A	1004128-WWHH	MATRX ELITE E2D DEEP BACK COVER	2023-01-01
3-11	1004318	MATRX MOUNTING HARDWARE	2023-01-01
1A, 1B, 2	1004037-WWHH	MATRX ELITE E2D DEEP BACK	2023-01-01

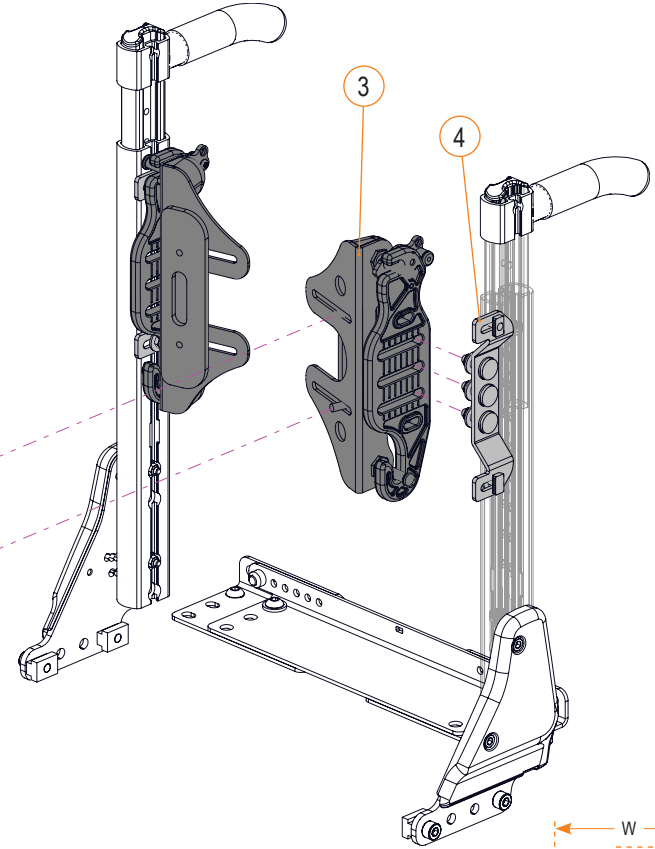
CUSHION CODIFICATIONS
WIDTH (W) / HEIGHT (H)
(BACK HEIGHTS ARE AVAILABLE IN 06, 08, 10, 12, 14, 16, 18 AND 20 INCHES ONLY)
EXAMPLE: 1004128-1616, 1004037-1616
CUSHION WITH A WIDTH OF 16 IN. AND A HEIGHT OF 16 IN.



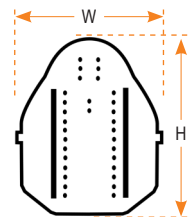
BACK CUSHION - SECTION 2.8.1



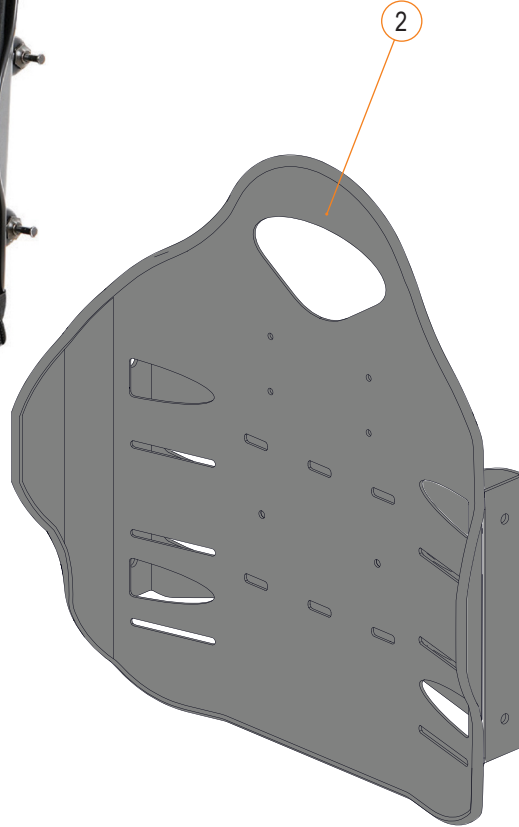
MATRX ELITE E2D DEEP BACK SIGNATURE			
ITEM #	PART#	DESCRIPTION	EFFECTIVE
1A	1004128-WWHH	MATRX ELITE E2D DEEP BACK COVER	2023-01-01
3	1005635	MATRX EASYSET MOUNTING HARDWARE	2025-06-26
4A	1005645	MATRX INTERFACE DEEP MOUNTING BRACKET, FIXED	2025-06-26
4B	1005646	MATRX INTERFACE SHALLOW MOUNTING BKT, RECLINE	2025-06-26
1A, 1B, 2, 3	1005683-WWHH	MATRX ELITE E2S BACK - COMPLETE [E2615]	2025-06-26



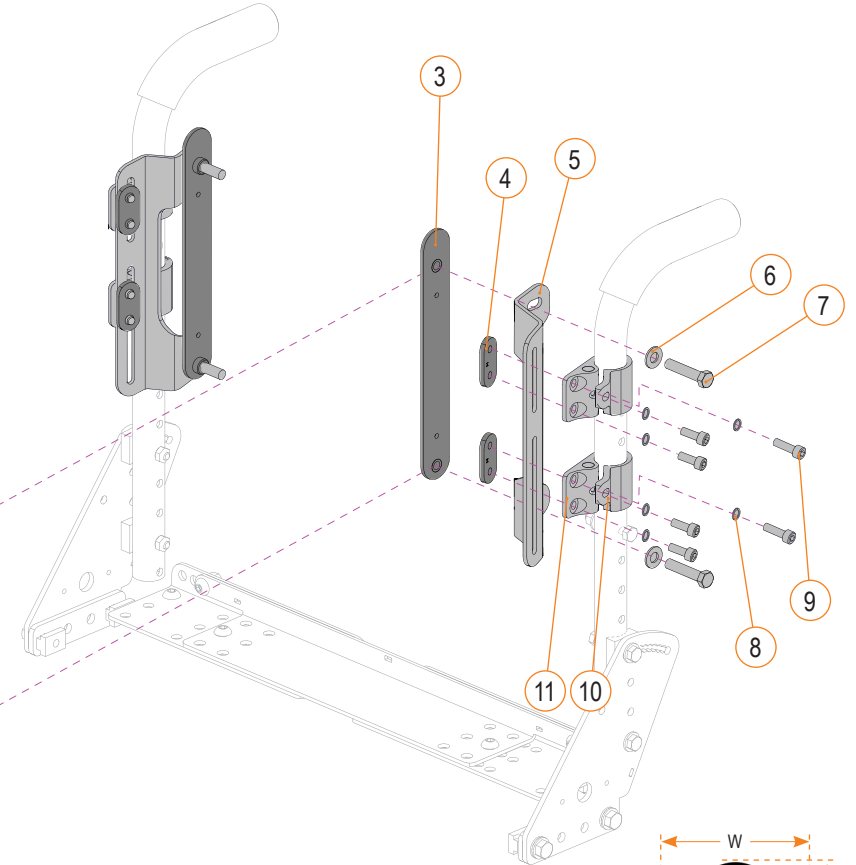
CUSHION CODIFICATIONS	
WIDTH (W) / HEIGHT (H)	
(BACK HEIGHTS ARE AVAILABLE IN 06, 08, 10, 12, 14, 16, 18 AND 20 INCHES ONLY)	
EXAMPLE: 1004128-1616, 1004037-1616	
CUSHION WITH A WIDTH OF 16 IN. AND A HEIGHT OF 16 IN.	



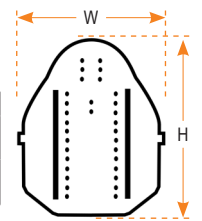
BACK CUSHION - SECTION 2.8.1



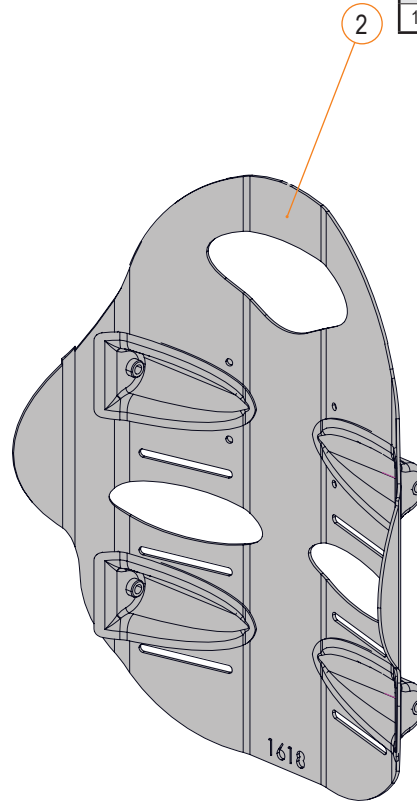
MATRX PB ELITE TR BACK			
ITEM #	PART#	DESCRIPTION	EFFECTIVE
1A	1004321-WWHH	MATRX PB ELITE TR BACK COVER	2023-01-01
3-11	1004387	MATRX PBE MOUNTING HARDWARE	2023-01-01
1A, 1B, 2	1004320-WWHH	MATRX PB ELITE TR BACK	2023-01-01



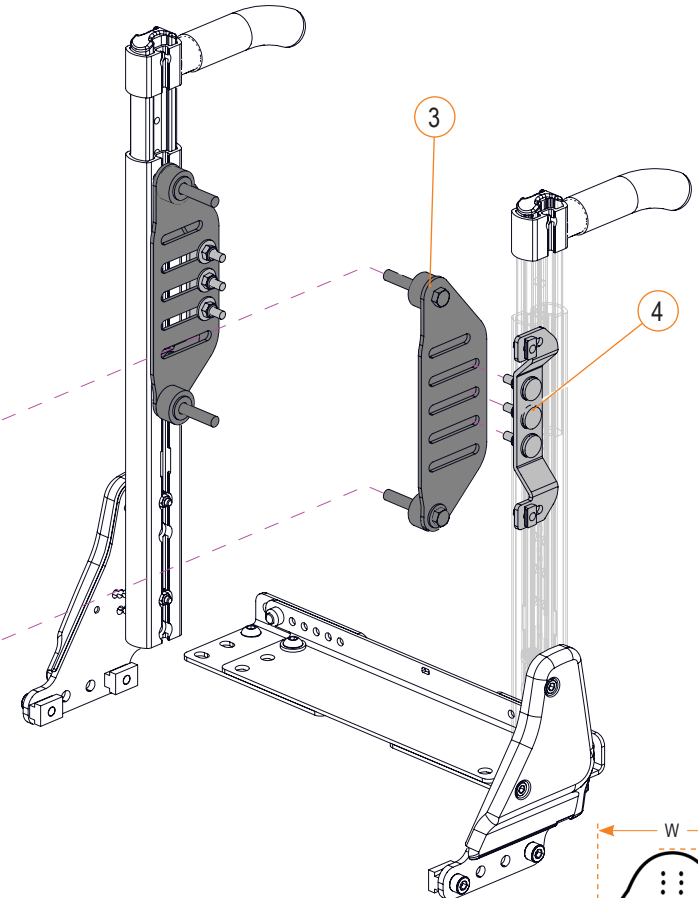
CUSHION CODIFICATIONS
WIDTH (W) / HEIGHT (H)
(BACK HEIGHTS ARE AVAILABLE IN 14, 16, 18 AND 20 INCHES ONLY)
EXAMPLE: 1004321-2020, 1004320-2020
CUSHION WITH A WIDTH OF 20 IN. AND A HEIGHT OF 20 IN.



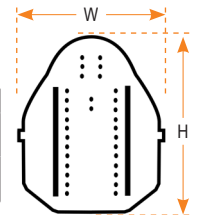
BACK CUSHION - SECTION 2.8.1



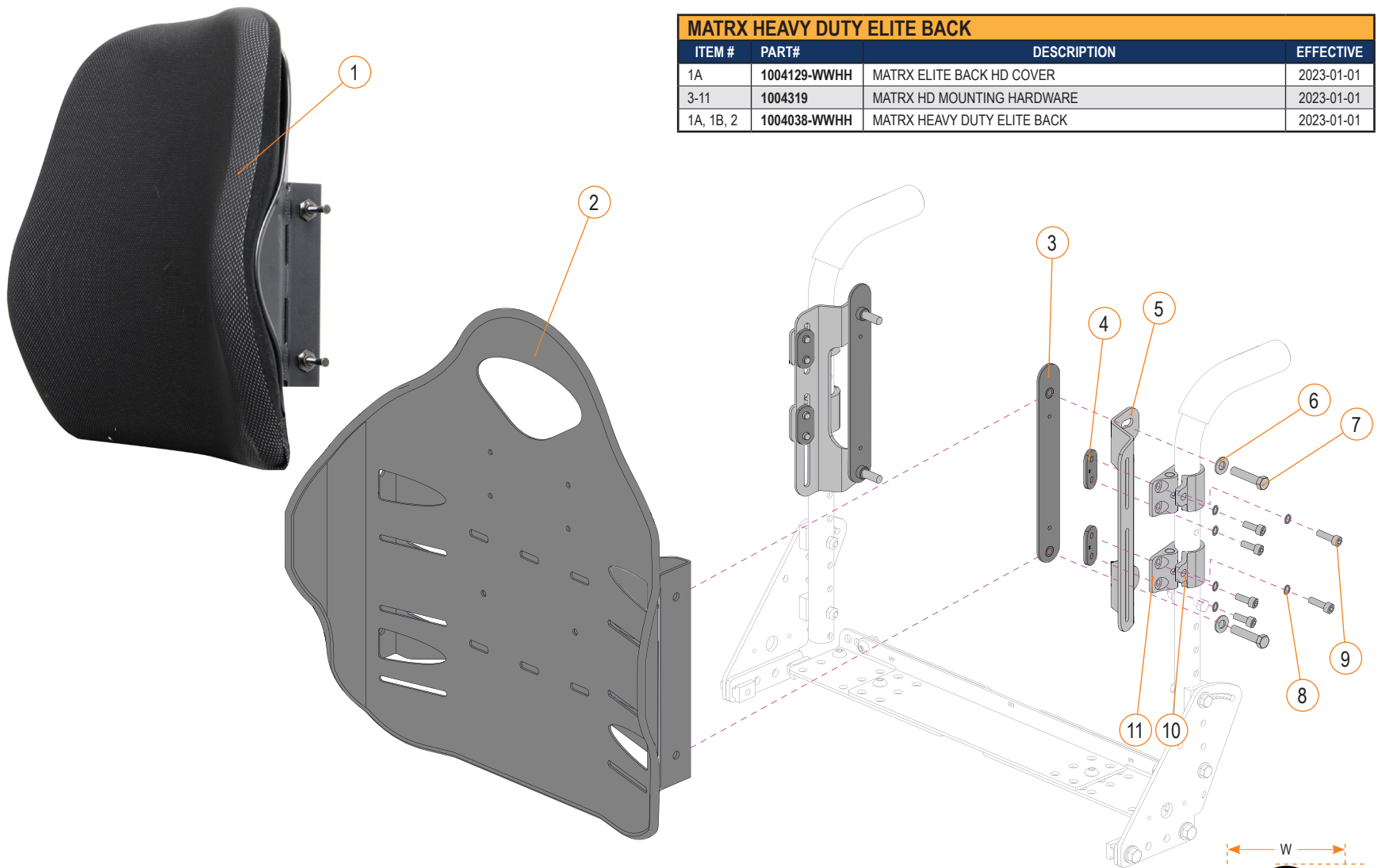
MATRX PB ELITE TR BACK SIGNATURE			
ITEM #	PART#	DESCRIPTION	EFFECTIVE
1A	1004321-WWHH	MATRX PB ELITE TR BACK COVER	2023-01-01
3	1005634	MATRX FSSU MOUNTING HARDWARE	2025-06-26
4A	1005645	MATRX INTERFACE DEEP MOUNTING BRACKET, FIXED	2025-06-26
4B	1005646	MATRX INTERFACE SHALLOW MOUNTING BKT, RECLINE	2025-06-26
1A, 1B, 2, 3	1005686-WWHH	MATRX PB ELITE TR BACK - COMPLETE [E2620]	2025-06-26



CUSHION CODIFICATIONS	
WIDTH (W) / HEIGHT (H)	
(BACK HEIGHTS ARE AVAILABLE IN 14, 16, 18 AND 20 INCHES ONLY)	
EXAMPLE: 1004321-2020, 1004320-2020	
CUSHION WITH A WIDTH OF 20 IN. AND A HEIGHT OF 20 IN.	

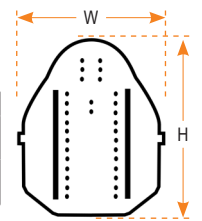


BACK CUSHION - SECTION 2.8.1

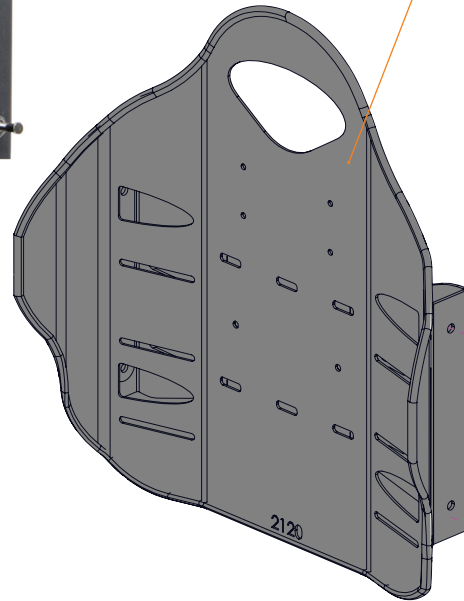


MATRX HEAVY DUTY ELITE BACK			
ITEM #	PART#	DESCRIPTION	EFFECTIVE
1A	1004129-WVHH	MATRX ELITE BACK HD COVER	2023-01-01
3-11	1004319	MATRX HD MOUNTING HARDWARE	2023-01-01
1A, 1B, 2	1004038-WVHH	MATRX HEAVY DUTY ELITE BACK	2023-01-01

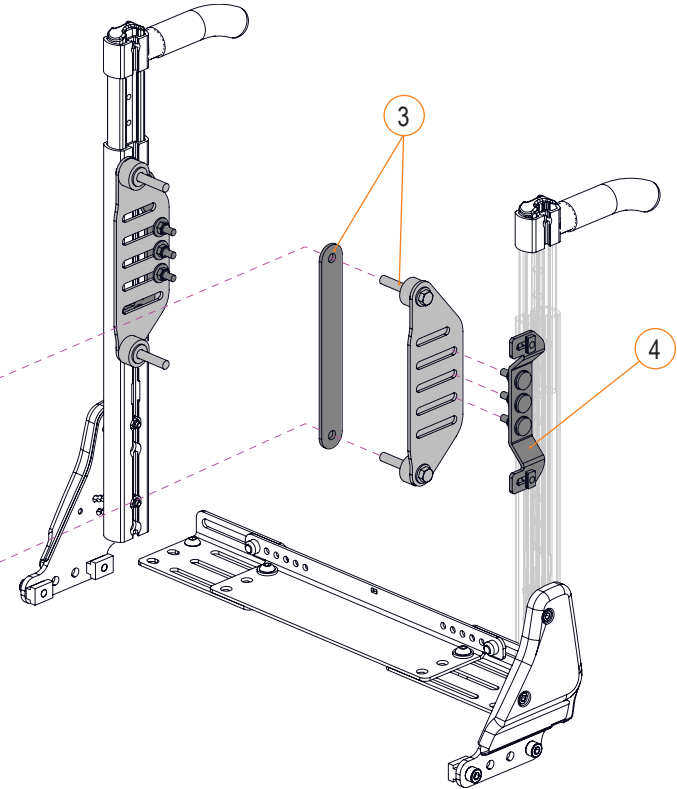
CUSHION CODIFICATIONS
WIDTH (W) / HEIGHT (H)
(BACK HEIGHTS ARE AVAILABLE IN 16 AND 20 INCHES ONLY)
EXAMPLE: 1004129-2420, 1004038-2420
CUSHION WITH A WIDTH OF 24 IN. AND A HEIGHT OF 20 IN.



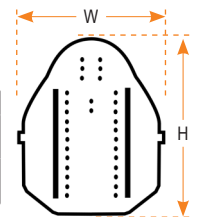
BACK CUSHION - SECTION 2.8.1



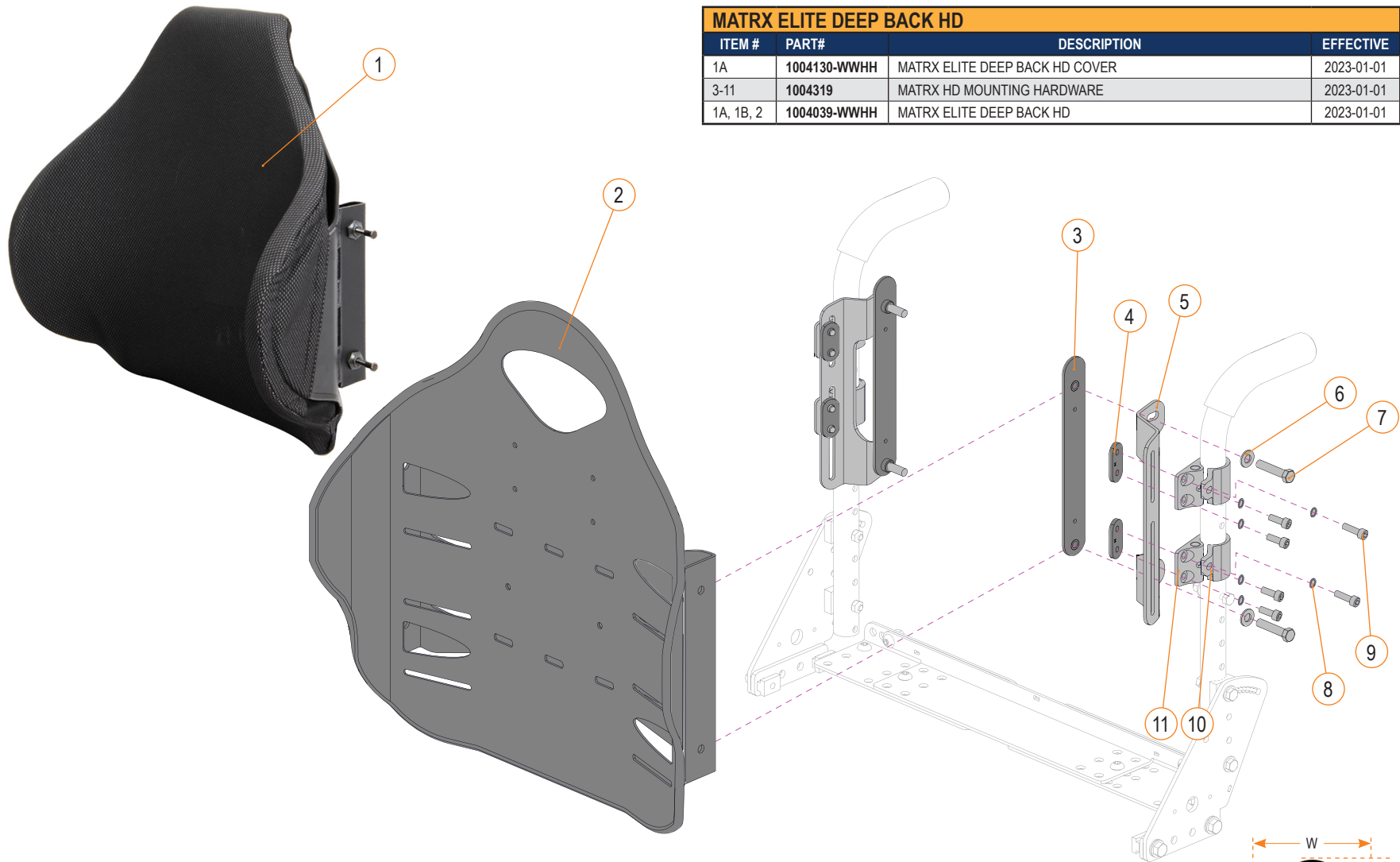
MATRX HEAVY DUTY ELITE BACK SIGNATURE			
ITEM #	PART#	DESCRIPTION	EFFECTIVE
1A	1004329-WWHH	MATRX ELITE BACK HD COVER	2023-01-01
3	1005634	MATRX FSSU MOUNTING HARDWARE	2025-06-26
4A	1005645	MATRX INTERFACE DEEP MOUNTING BRACKET, FIXED	2025-06-26
4B	1005646	MATRX INTERFACE SHALLOW MOUNTING BKT, RECLINE	2025-06-26
1A, 1B, 2, 3	1005687-WWHH	MATRX HEAVY DUTY ELITE BACK [E2620]	2025-06-26



CUSHION CODIFICATIONS
WIDTH (W) / HEIGHT (H)
(BACK HEIGHTS ARE AVAILABLE IN 16 AND 20 INCHES ONLY)
EXAMPLE: 1004129-2420, 1004038-2420
CUSHION WITH A WIDTH OF 24 IN. AND A HEIGHT OF 20 IN.

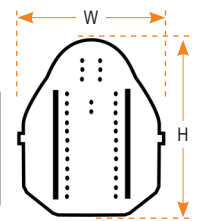


BACK CUSHION - SECTION 2.8.1

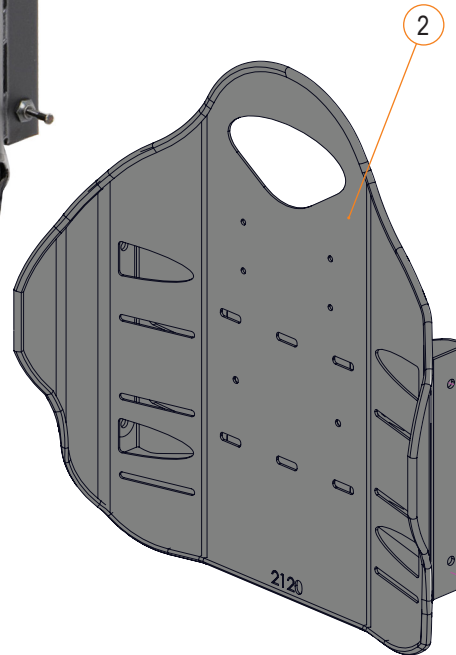


MATRIX ELITE DEEP BACK HD			
ITEM #	PART#	DESCRIPTION	EFFECTIVE
1A	1004130-WVHH	MATRIX ELITE DEEP BACK HD COVER	2023-01-01
3-11	1004319	MATRIX HD MOUNTING HARDWARE	2023-01-01
1A, 1B, 2	1004039-WVHH	MATRIX ELITE DEEP BACK HD	2023-01-01

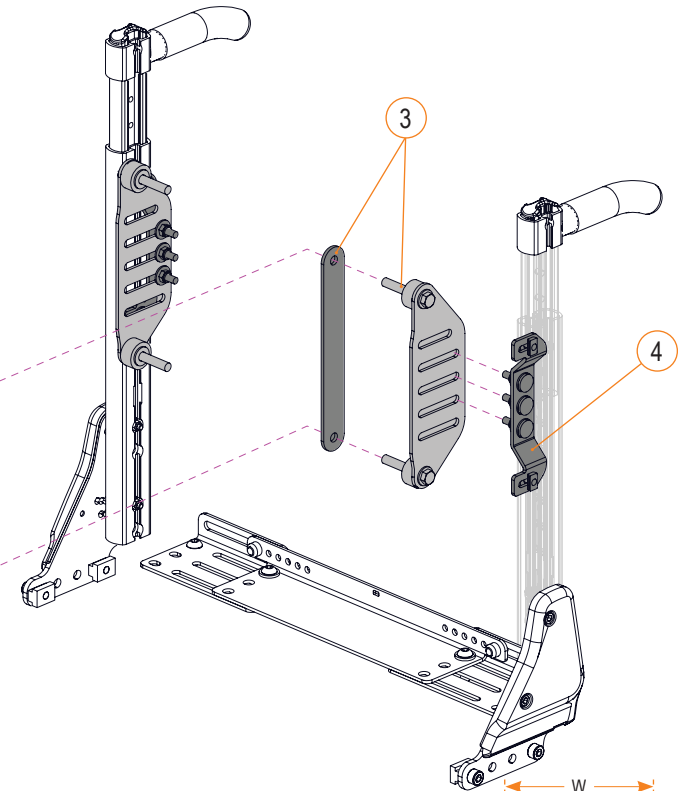
CUSHION CODIFICATIONS
WIDTH (W) / HEIGHT (H)
(BACK HEIGHTS ARE AVAILABLE IN 16, 18 AND 20 INCHES ONLY)
EXAMPLE: 1004130-2420, 1004039-2420
CUSHION WITH A WIDTH OF 24 IN. AND A HEIGHT OF 20 IN.



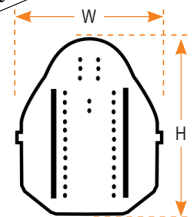
BACK CUSHION - SECTION 2.8.1



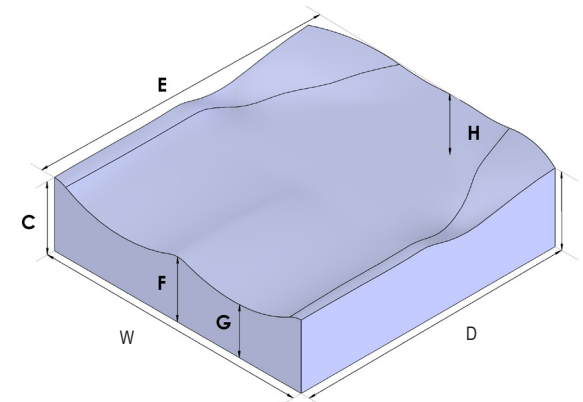
MATRX ELITE DEEP BACK HD SIGNATURE			
ITEM #	PART#	DESCRIPTION	EFFECTIVE
1A	1004330-WWHH	MATRX ELITE DEEP BACK HD COVER	2023-01-01
3	1005634	MATRX FSSU MOUNTING HARDWARE	2025-06-26
4A	1005645	MATRX INTERFACE DEEP MOUNTING BRACKET, FIXED	2025-06-26
4B	1005646	MATRX INTERFACE SHALLOW MOUNTING BKT, RECLINE	2025-06-26
1A, 1B, 2, 3	1005685-WWHH	MATRX ELITE DEEP BACK HD [E2620]	2025-06-26



CUSHION CODIFICATIONS	
WIDTH (W) / HEIGHT (H)	
(BACK HEIGHTS ARE AVAILABLE IN 16, 18 AND 20 INCHES ONLY)	
EXAMPLE: 1004130-2420, 1004039-2420	
CUSHION WITH A WIDTH OF 24 IN. AND A HEIGHT OF 20 IN.	

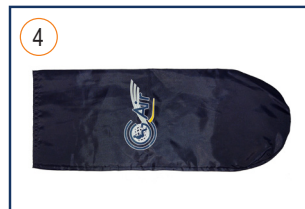
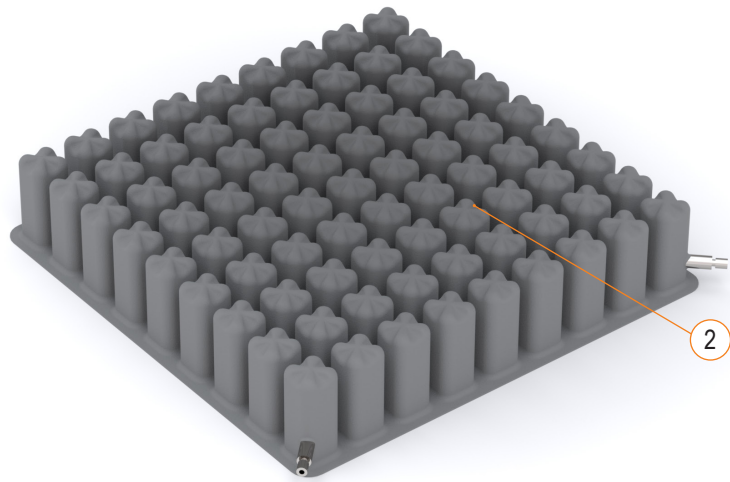


NXT BIO FIT SEAT CUSHION			
ITEM #	PART #	DESCRIPTION	EFFECTIVE
1A	H3WWDD-1	NXT BIO FIT SEAT CUSHION REPLACEMENT COVER	2016-11-09
1B	H3WWDD-2	NXT BIO FIT SEAT CUSHION INCONTINENCE COVER	2016-11-09
1-2	H3WWDD	NXT BIO FIT SEAT CUSHION	2016-11-09



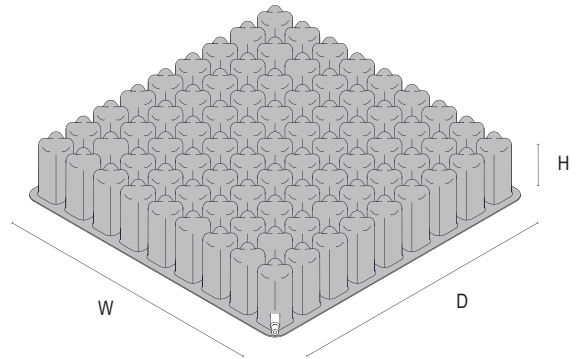
CUSHION CODIFICATIONS
H3 / WIDTH (W) / DEPTH (D)
EXAMPLE: H31818 CUSHION WITH A WIDTH OF 18 IN. AND A DEPTH OF 18 IN.

**SEAT CUSHION - SECTION 2.8.2**

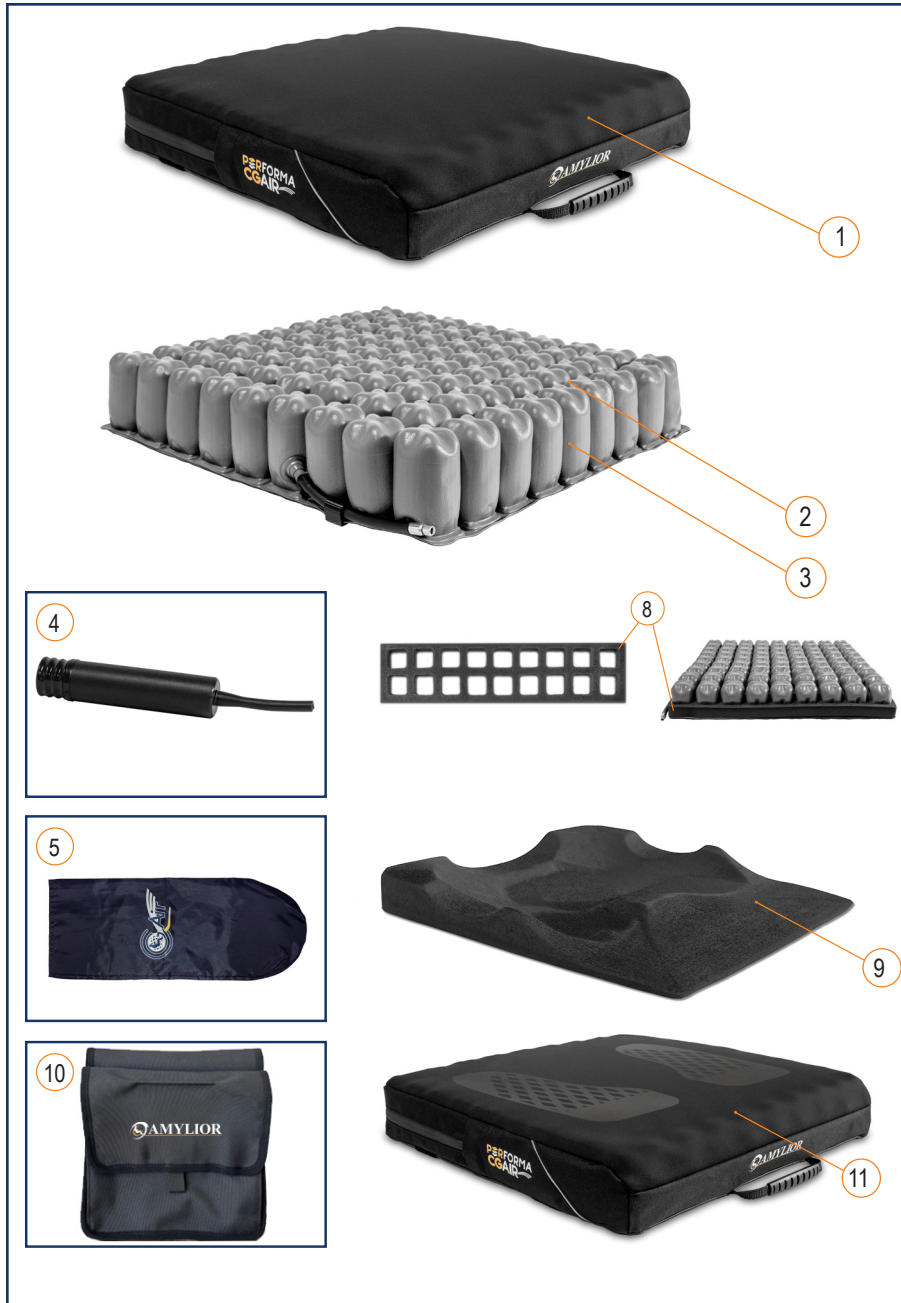


**CG AIR SEAT CUSHION**

ITEM #	PART #	DESCRIPTION	EFFECTIVE
1A	CGASCWDD-H	STANDARD COVER FOR CG AIR	2017-05-01
1B	CGA3DWDD-H	3D MESH COVER FOR CG AIR	2017-05-01
1C	CGAICWDD-H	INCONTINENCE COVER FOR CG AIR	2017-05-01
2	CGAXVWDD-H	CG AIR CUSHION W/O COVER	2017-05-01
3	CGA-PUMP	CG AIR HAND PUMP	2017-05-01
4	CGA-GLOVE	ASSESSMENT GLOVE FOR CG AIR W/ LOGO	2017-05-01
5	1001402	CG AIR REPAIR KIT - 3 ALCOHOL PREP PADS	2023-09-11
6	1001403	CG AIR REPAIR KIT - 15 ALCOHOL PREP PADS	2023-09-11
7	CUST-133627-01	TREILLIS DE TRANSFERT, NOIR	2023-09-11

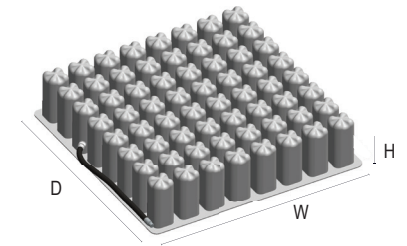


CUSHION CODIFICATIONS	
NUMBER OF VALVE (X) / WIDTH (W) / DEPTH (D) / HEIGHT (H)	
EXAMPLE: CGA2V1418-3 CUSHION WITH 2 VALVES, A WIDTH OF 14 IN., A DEPTH OF 18 IN. AND A HEIGHT OF 3 IN.	
COVER CODIFICATIONS	
WIDTH (W) / DEPTH (D) / HEIGHT (H)	
EXAMPLE: CGASC1012-2 STANDARD COVER WITH A WIDTH OF 10 IN., A DEPTH OF 12 IN. AND A HEIGHT OF 2 IN.	



PERFORMA CG AIR CUSHION			
ITEM #	PART #	DESCRIPTION	EFFECTIVE
1A	PCGASCWDD-H	STANDARD COVER, PERFORMA CG AIR	2025-09-01
1B	PCGA3DWWDD-H	3D COVER, PERFORMA CG AIR	2025-09-01
1C	PCGAICWDD-H	INCONTINENCE COVER, CG AIR	2017-05-01
1D	PCGA3DLLD	PERFORMA CG AIR, 3D COVER, LEG LENGTH DISCREPANCY	2025-09-01
1E	PCGASCLLD	PERFORMA CG AIR, STD COVER, LEG LENGTH DISCREPANCY	2025-09-01
2	PCGA1VWDD-H	PERFORMA CG AIR 1 VALVE, NO COVER	2025-09-01
3	PCGA2VWDD-H	PERFORMA CG AIR 2 VALVES, NO COVER	2025-09-01
3A	PCGA-2VLR *	PERFORMA CG AIR, NO COVER, CG AIR OPTION, 2 VALVES, LEFT/RIGHT	2025-09-01
3B	PCGA-2VF6 *	PERFORMA CG AIR, NO COVER, CG AIR OPTION, 2 VALVES, FRONT/REAR, 6 IN	2025-09-01
3C	PCGA-2VF8 *	PERFORMA CG AIR, NO COVER, CG AIR OPTION, 2 VALVES, FRONT/REAR, 8 IN	2025-09-01
3D	PCGA-2VF10 *	PERFORMA CG AIR, NO COVER, CG AIR OPTION, 2 VALVES, FRONT/REAR, 10 IN	2025-09-01
4	PCGA-PUMP	CG AIR HAND PUMP	2017-05-01
5	PCGA-GLOVE	ASSESMENT GLOVE FOR CG AIR W/ LOGO	2017-05-01
6	1001402	CG AIR REPAIR KIT - 3 ALCOHOL PREP PADS	2023-09-11
7	1001403	CG AIR REPAIR KIT - 15 ALCOHOL PREP PADS	2023-09-11
8	1005551-XX	TRANSFER TRELIS	2025-09-01
9	1005549-WWDD	ANATOMICAL CONTOUR 2IN	2025-09-01
10	1005455	SEAT POUCH, PERFORMA	2025-09-01
11	PCGA-GZ-P	GRIPZONE, ANTI-SLIP TECHNOLOG (Chose a cover between 1A, 1B, 1D or 1E)	2025-09-01

\*CODE TO ADD TO CONFIGURE A 2-VALVE CUSHION



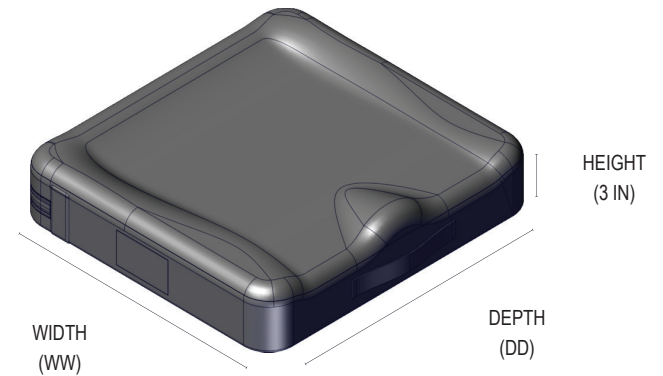
CUSHION CODIFICATIONS	
NUMBER OF VALVE (X) / WIDTH (W) / DEPTH (D) / HEIGHT (H)	
EXAMPLE:	CGA2V1418-3
CUSHION WITH 2 VALVES, A WIDTH OF 14 IN., A DEPTH OF 18 IN. AND A HEIGHT OF 3 IN.	

COVER CODIFICATIONS	
WIDTH (W) / DEPTH (D) / HEIGHT (H)	
EXAMPLE:	CGASC1012-2
STANDARD COVER WITH A WIDTH OF 10 IN., A DEPTH OF 12 IN. AND A HEIGHT OF 2 IN.	

SEAT CUSHION - SECTION 2.8.2

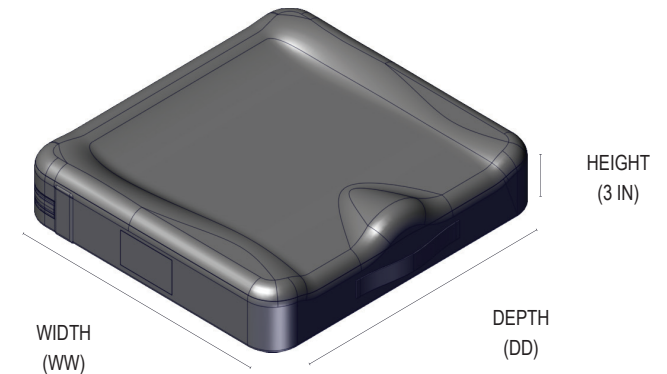


PERFORMA BM SEAT CUSHION			
ITEM #	PART #	DESCRIPTION	EFFECTIVE
1A	PBMSCWDD-3	STANDARD COVER FOR PERFORMA BM - WIDTH (WW) IN X DEPTH (DD) IN X HEIGHT (3 IN)	2020-10-12
1B	PBM3DWWDD-3	3D MESH COVER FOR PERFORMA BM - WIDTH (WW) IN X DEPTH (DD) IN X HEIGHT (3 IN)	2020-10-12
1C	CGAICWWDD-3	INCONTINENCE COVER FOR CG AIR - WIDTH (WW) IN X DEPTH (DD) IN X HEIGHT (3 IN)	2020-10-12
2A	1001568	INT INCONT COVER 16X16X3, TPU	2020-09-15
2B	1001569	INT INCONT COVER 16X18X3, TPU	2020-09-15
2C	1001570	INT INCONT COVER 16X20X3, TPU	2020-09-15
2D	1001571	INT INCONT COVER 18X16X3, TPU	2020-09-15
2E	1001572	INT INCONT COVER 18X18X3, TPU	2020-09-15
2F	1001573	INT INCONT COVER 18X20X3, TPU	2020-09-15
2G	1001574	INT INCONT COVER 20X16X3, TPU	2020-09-15
2H	1001575	INT INCONT COVER 20X18X3, TPU	2020-09-15
2I	1001576	INT INCONT COVER 20X20X3, TPU	2020-09-15
3	1001426-WWDD-3	PERFORMA BM CUSHION - WIDTH (WW) IN X DEPTH (DD) IN X HEIGHT (3 IN)	2020-10-15

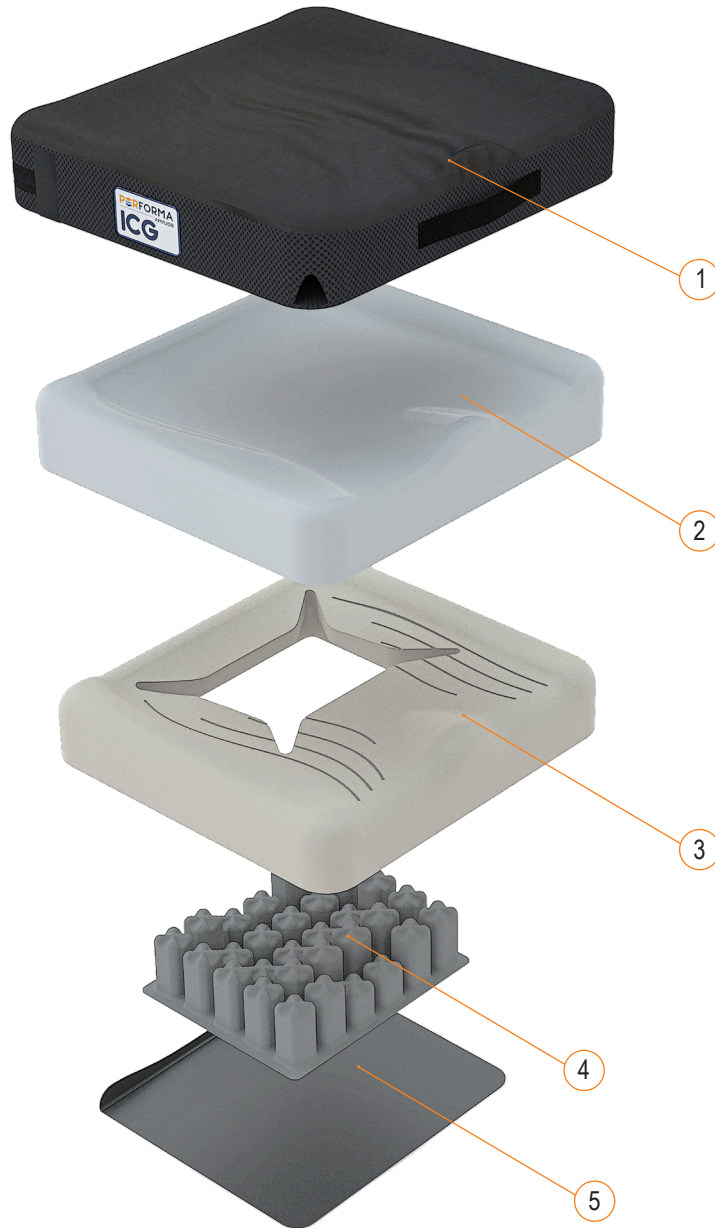




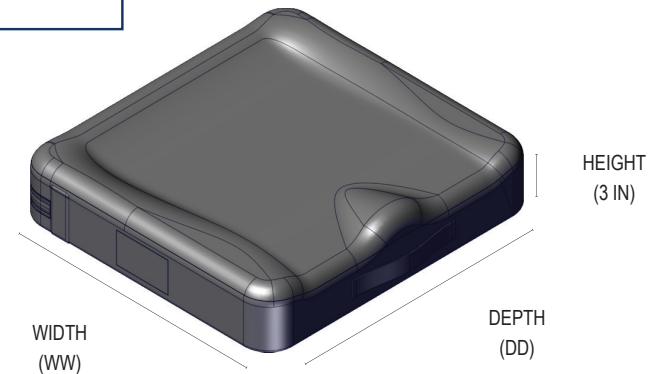
PERFORMA IAG SEAT CUSHION			
ITEM #	PART #	DESCRIPTION	EFFECTIVE
1A	PIAGSCWDD-3	STANDARD COVER FOR PERFORMA IAG - WIDTH (WW) IN X DEPTH (DD) IN X HEIGHT (3 IN)	2020-10-12
1B	PIAG3DWWDD-3	3D MESH COVER FOR PERFORMA IAG - WIDTH (WW) IN X DEPTH (DD) IN X HEIGHT (3 IN)	2020-10-12
1C	CGAICWWDD-3	INCONTINENCE COVER FOR CG AIR - WIDTH (WW) IN X DEPTH (DD) IN X HEIGHT (3 IN)	2020-10-12
2A	1001568	INT INCONT COVER 16X16X3, TPU	2020-09-15
2B	1001569	INT INCONT COVER 16X18X3, TPU	2020-09-15
2C	1001570	INT INCONT COVER 16X20X3, TPU	2020-09-15
2D	1001571	INT INCONT COVER 18X16X3, TPU	2020-09-15
2E	1001572	INT INCONT COVER 18X18X3, TPU	2020-09-15
2F	1001573	INT INCONT COVER 18X20X3, TPU	2020-09-15
2G	1001574	INT INCONT COVER 20X16X3, TPU	2020-09-15
2H	1001575	INT INCONT COVER 20X18X3, TPU	2020-09-15
2I	1001576	INT INCONT COVER 20X20X3, TPU	2020-09-15
3	1001501-WWDD-3	PERFORMA IAG CUSHION - WIDTH (WW) IN X DEPTH (DD) IN X HEIGHT (3 IN)	2020-10-15
4A	1001476	SELF INFLATING AIR INSERT, 10W X 8D X 1.5H TPU	2020-08-27
4B	1001477	SELF INFLATING AIR INSERT, 13W X 8D X 1.5H TPU	2020-08-27
5A	1001480	BOTTOM PLATE FOR CUSHION, SMALL	2020-08-31
5B	1001481	BOTTOM PLATE FOR CUSHION, LARGE	2020-08-31



SEAT CUSHION - SECTION 2.8.2

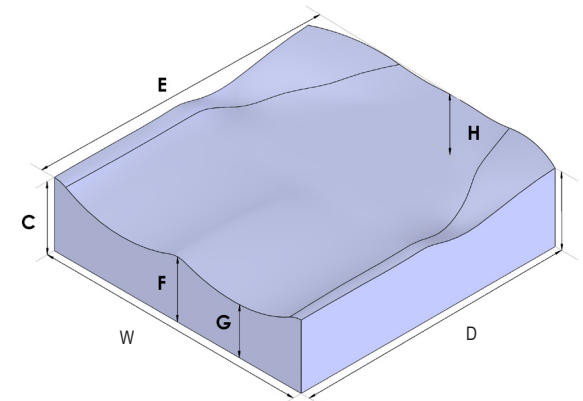


PERFORMA ICG SEAT CUSHION			
ITEM #	PART #	DESCRIPTION	EFFECTIVE
1A	PICGSCWWDD-3	STANDARD COVER FOR PERFORMA ICG - WIDTH (WW) IN X DEPTH (DD) IN X HEIGHT (3 IN)	2020-10-12
1B	PICG3DWWDD-3	3D MESH COVER FOR PERFORMA ICG - WIDTH (WW) IN X DEPTH (DD) IN X HEIGHT (3 IN)	2020-10-12
1C	CGAICWWDD-3	INCONTINENCE COVER FOR CG AIR - WIDTH (WW) IN X DEPTH (DD) IN X HEIGHT (3 IN)	2020-10-12
2A	1001568	INT INCONT COVER 16X16X3, TPU	2020-09-15
2B	1001569	INT INCONT COVER 16X18X3, TPU	2020-09-15
2C	1001570	INT INCONT COVER 16X20X3, TPU	2020-09-15
2D	1001571	INT INCONT COVER 18X16X3, TPU	2020-09-15
2E	1001572	INT INCONT COVER 18X18X3, TPU	2020-09-15
2F	1001573	INT INCONT COVER 18X20X3, TPU	2020-09-15
2G	1001574	INT INCONT COVER 20X16X3, TPU	2020-09-15
2H	1001575	INT INCONT COVER 20X18X3, TPU	2020-09-15
2I	1001576	INT INCONT COVER 20X20X3, TPU	2020-09-15
3	1001498-WWDD-3	PERFORMA ICG CUSHION - WIDTH (WW) IN X DEPTH (DD) IN X HEIGHT (3 IN)	2020-10-15
4A	1001478	IMMERSION AIR INSERT CG, 10W X 8D X 2-3H PVC	2020-08-27
4B	1001479	IMMERSION AIR INSERT CG, 12W X 10D X 2-3H PVC	2020-08-27
5A	1001480	BOTTOM PLATE FOR CUSHION, SMALL	2020-08-31
5B	1001481	BOTTOM PLATE FOR CUSHION, LARGE	2020-08-31
6	CGA-PUMP	CG AIR HAND PUMP	2017-05-01



SEAT CUSHION - SECTION 2.8.2

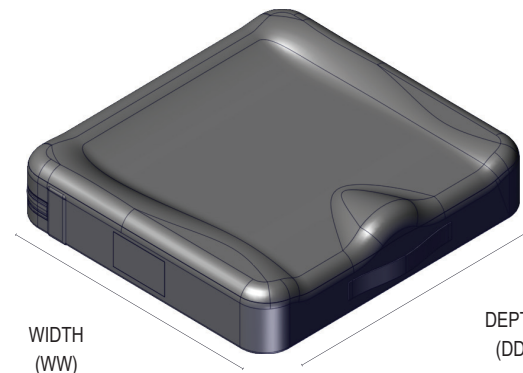
CONTOUR SEAT CUSHION			
ITEM #	PART #	DESCRIPTION	EFFECTIVE
1	1003073-WWDD	REPLACEMENT COVER, CONTOUR SEAT CUSHION	2021-05-07
2	1003074	INCONTINENCE COVER, CONTOUR SEAT CUSHION	2021-05-07
1-3	1003075-WWDD	CONTOUR SEAT CUSHION	2021-05-07



CUSHION CODIFICATIONS
1003075 / WIDTH (W) / DEPTH (D)
EXAMPLE: 1003075-1818
CUSHION WITH A WIDTH OF 18 IN. AND A DEPTH OF 18 IN.

SEAT CUSHION - SECTION 2.8.2

CONTOUR SEAT CUSHION			
ITEM #	PART #	DESCRIPTION	EFFECTIVE
1	1004068-WWDD	REPLACEMENT COVER, CONTOUR SEAT CUSHION	2022-12-01
1-2	1004069-WWDD	CONTOUR SEAT CUSHION	2022-12-01

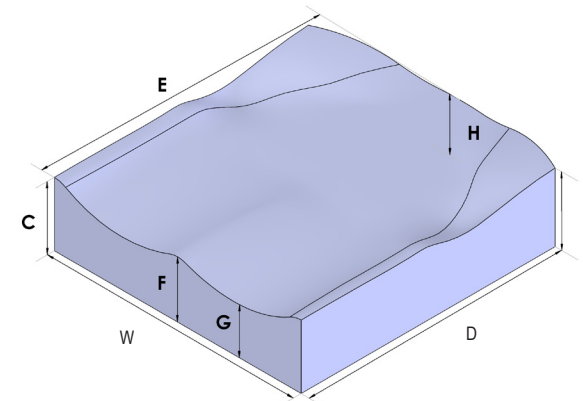
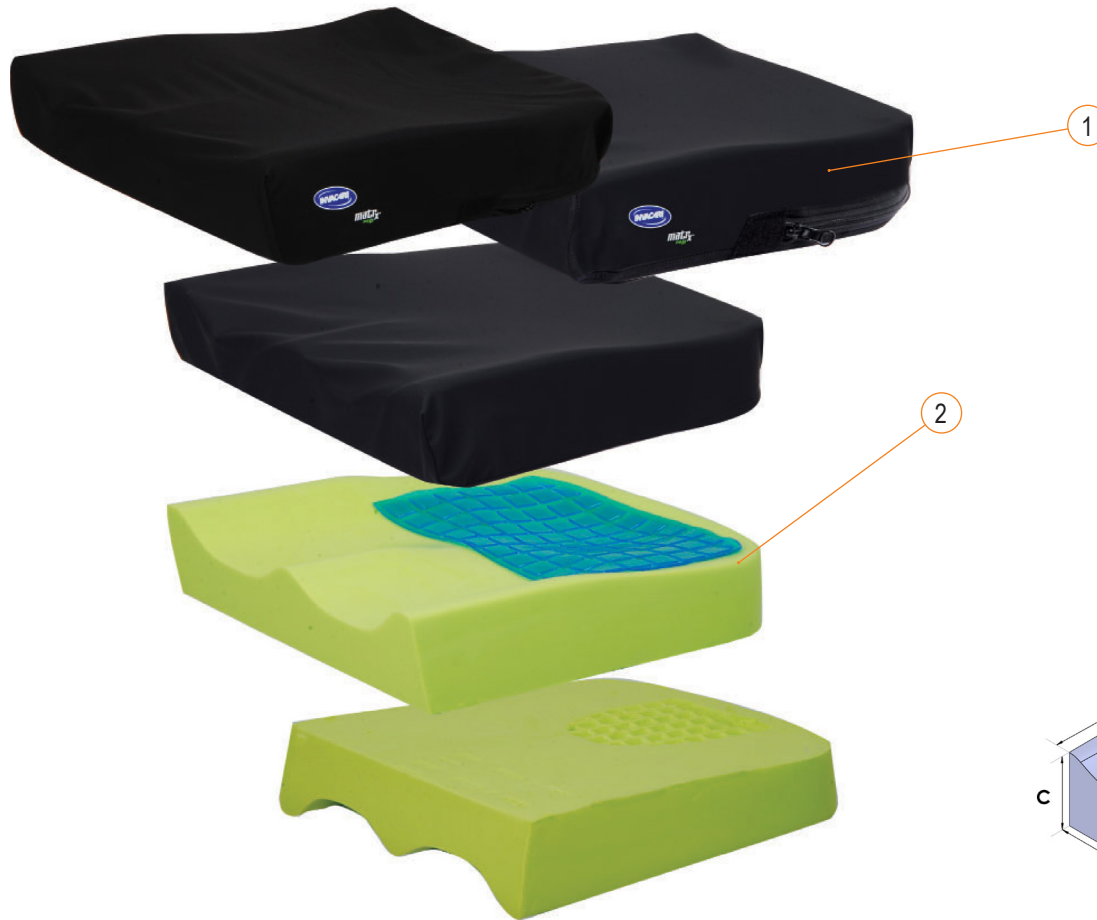


HEIGHT  
- 3 in up to 20 in Wide  
- 4 in for 21 in + wide

CUSHION CODIFICATIONS
1004069 / WIDTH (W) / DEPTH (D)
EXAMPLE: 1004069-2824 CUSHION WITH A WIDTH OF 28 IN. AND A DEPTH OF 24 IN.

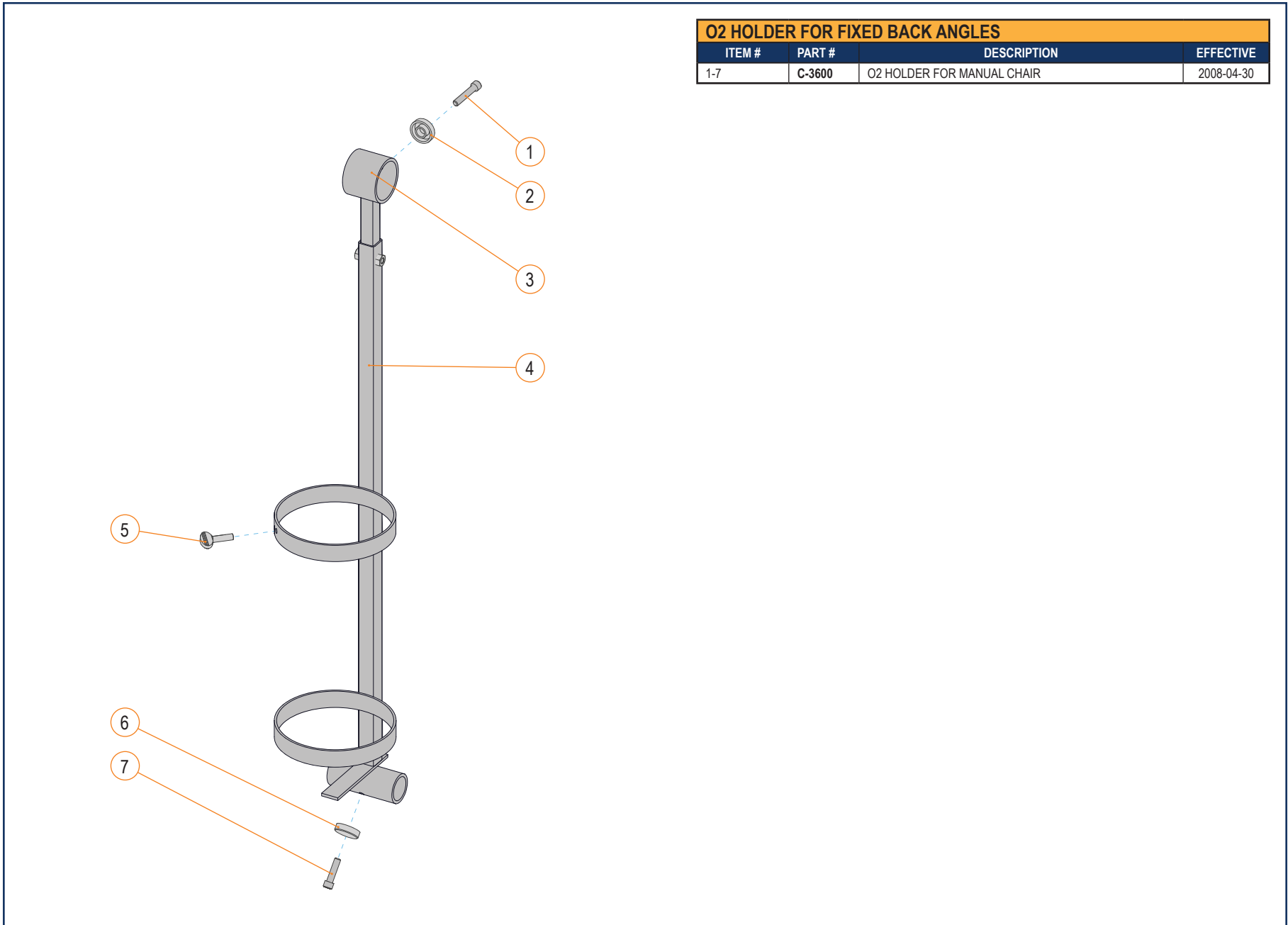
SEAT CUSHION - SECTION 2.8.2

MATRX PSP CUSHION			
ITEM #	PART #	DESCRIPTION	EFFECTIVE
1A	1004131-WWDD	MATRX PSP POLYMER CUSHION COVER	2023-01-01
1-2	1004040-WWDD	MATRX PSP POLYMER CUSHION	2023-01-01



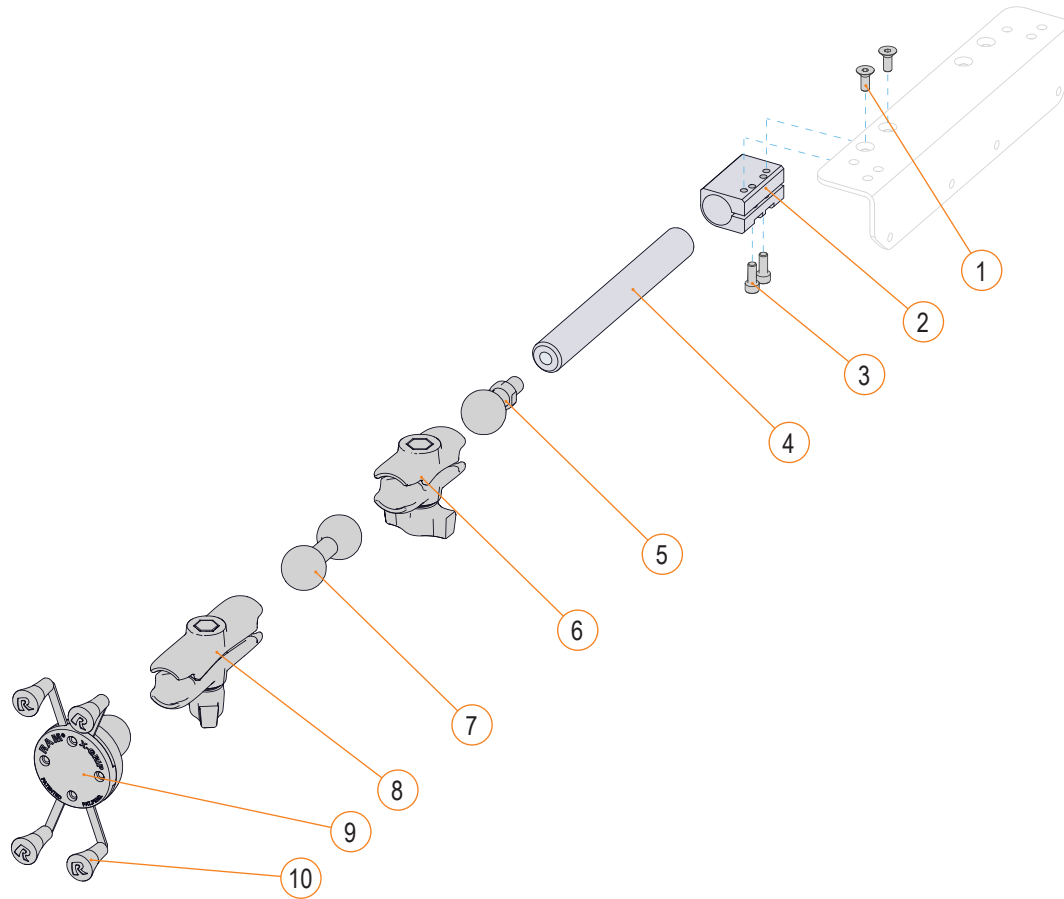
CUSHION CODIFICATIONS
1004131 / WIDTH (W) / DEPTH (D) - 1004040 / WIDTH (W) / DEPTH (D)
EXAMPLE: 1004131-1818, 1004040-1818
CUSHION WITH A WIDTH OF 18 IN. AND A DEPTH OF 18 IN.

**O<sub>2</sub> HOLDER - SECTION 2.9.1**

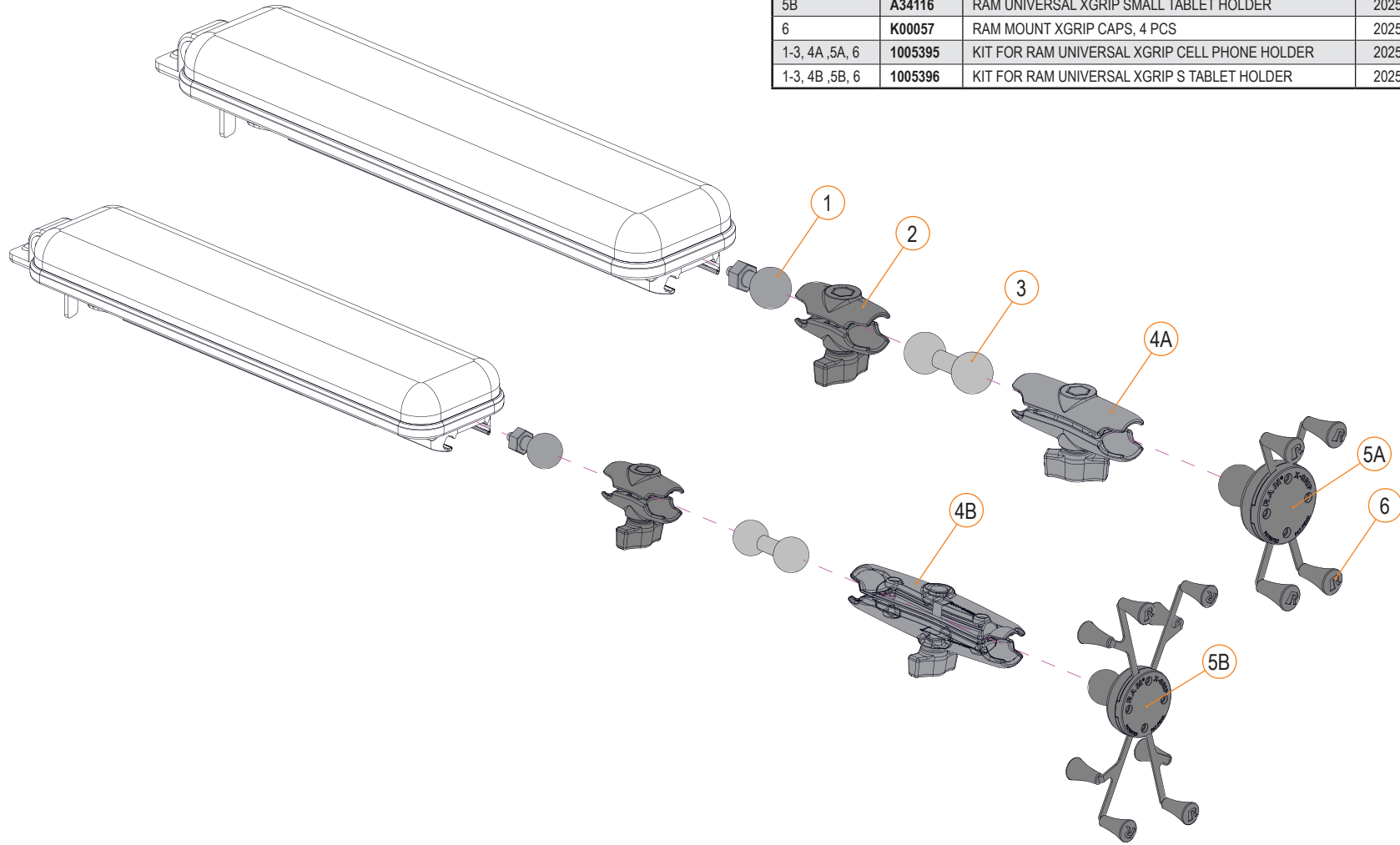


O <sub>2</sub> HOLDER FOR FIXED BACK ANGLES			
ITEM #	PART #	DESCRIPTION	EFFECTIVE
1-7	C-3600	O <sub>2</sub> HOLDER FOR MANUAL CHAIR	2008-04-30

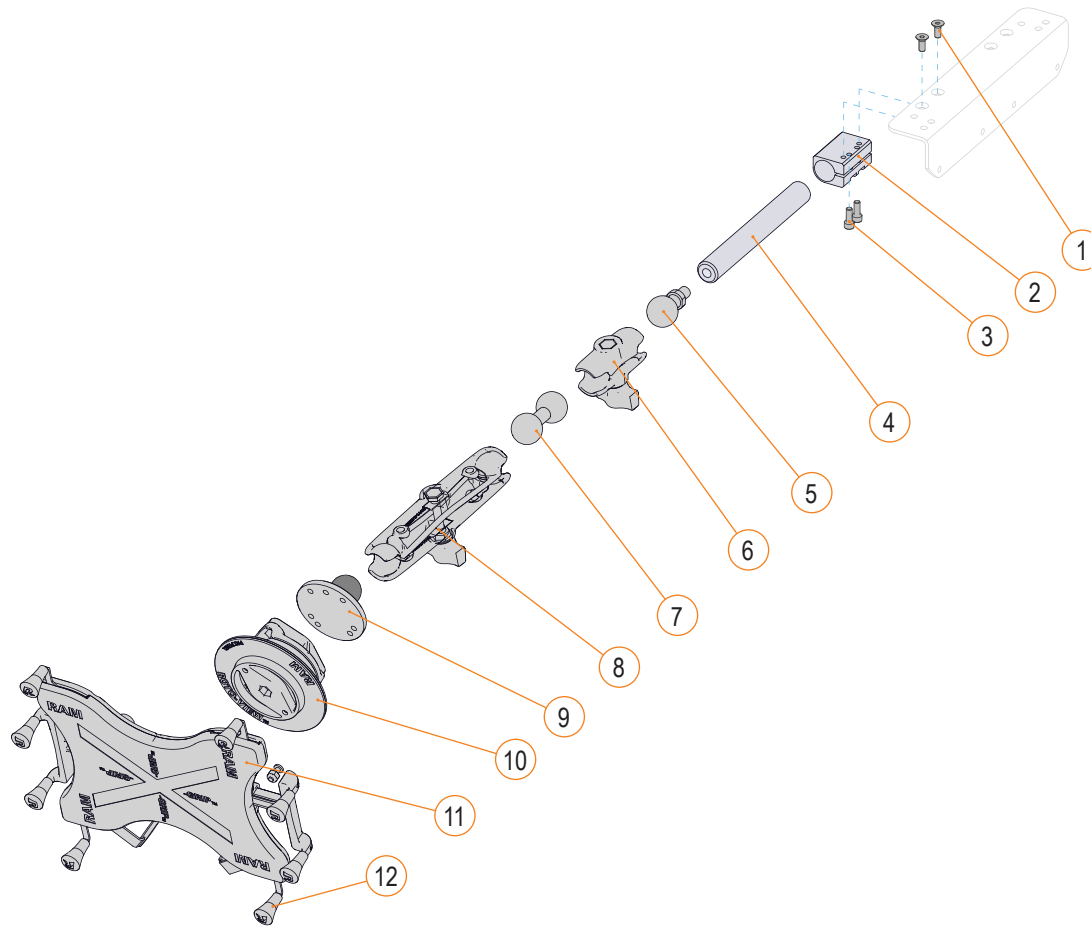
RAM MOUNT UNIVERSAL X-GRIP FOR CELL & SMALL TABLET			
ITEM #	PART #	DESCRIPTION	EFFECTIVE
6	A34110	RAM SHORT DOUBLE SOCKET ARM	2014-12-04
7	A34112	RAM DOUBLE 1 IN BALL ARM	2014-12-04
8A	A34113	RAM MEDIUM DOUBLE SOCKET ARM	2014-12-04
8B	A34115	RAM LONG DOUBLE SOCKET ARM	2014-12-04
9A	A34114	RAM UNIVERSAL XGRIP CELL PHONE HOLDER	2014-12-04
9B	A34116	RAM UNIVERSAL XGRIP SMALL TABLET HOLDER	2014-12-04
10	K00057	RAM MOUNT XGRIP CAPS, 4 PCS	2014-12-04
1-7, 8A, 9A, 10	C-34106	KIT FOR RAM UNIVERSAL XGRIP CELL PHONE HOLDER	2014-12-04
1-7, 8B, 9B, 10	C-34107	KIT FOR RAM UNIVERSAL XGRIP SMALL TABLET HOLDER	2014-12-04



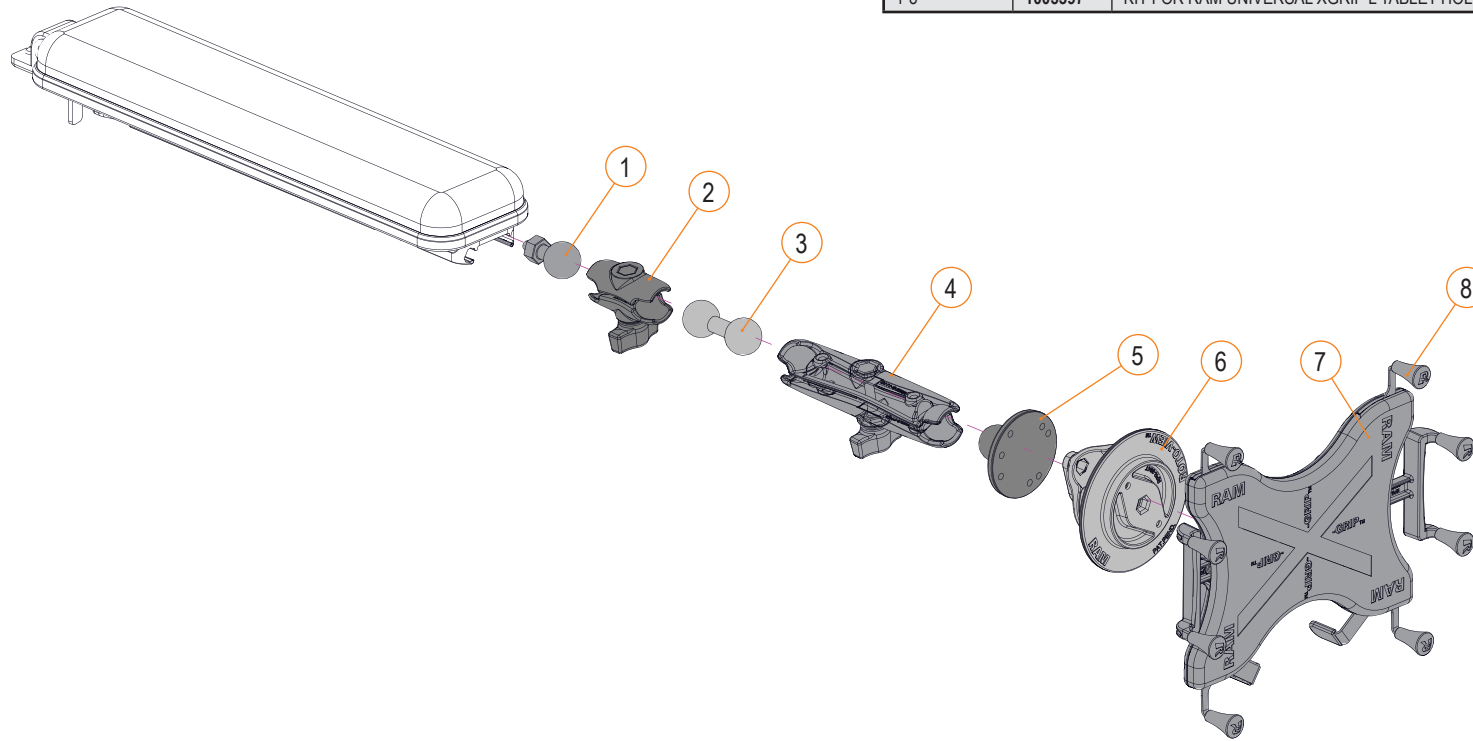
RAM MOUNT UNIVERSAL X-GRIP FOR CELL & SMALL TABLET			
ITEM #	PART #	DESCRIPTION	EFFECTIVE
2	A34110	RAM SHORT DOUBLE SOCKET ARM	2025-06-26
3	A34112	RAM DOUBLE 1 IN BALL ARM	2025-06-26
4A	A34113	RAM MEDIUM DOUBLE SOCKET ARM	2025-06-26
4B	A34115	RAM LONG DOUBLE SOCKET ARM	2025-06-26
5A	A34114	RAM UNIVERSAL XGRIP CELL PHONE HOLDER	2025-06-26
5B	A34116	RAM UNIVERSAL XGRIP SMALL TABLET HOLDER	2025-06-26
6	K00057	RAM MOUNT XGRIP CAPS, 4 PCS	2025-06-26
1-3, 4A, 5A, 6	1005395	KIT FOR RAM UNIVERSAL XGRIP CELL PHONE HOLDER	2025-06-26
1-3, 4B, 5B, 6	1005396	KIT FOR RAM UNIVERSAL XGRIP S TABLET HOLDER	2025-06-26



RAM MOUNT UNIVERSAL X-GRIP FOR LARGE TABLET			
ITEM #	PART #	DESCRIPTION	EFFECTIVE
6	A34110	RAM SHORT DOUBLE SOCKET ARM	2014-12-04
7	A34112	RAM DOUBLE 1 IN BALL ARM	2014-12-04
8	A34115	RAM LONG DOUBLE SOCKET ARM	2014-12-04
9	A34117	RAM ROUND PLATE 1 IN BALL	2014-12-04
10	A34118	RAM ROTO-VIEW ROTATING MOUNTING PLATE	2014-12-04
11	A34119	RAM UNIVERSAL XGRIP LARGE TABLET HOLDER	2014-12-04
12	K00057	RAM MOUNT XGRIP CAPS, 4 PCS	2014-12-04
1-12	C-34108	KIT FOR RAM UNIVERSAL XGRIP LARGE TABLET HOLDER	2014-12-04

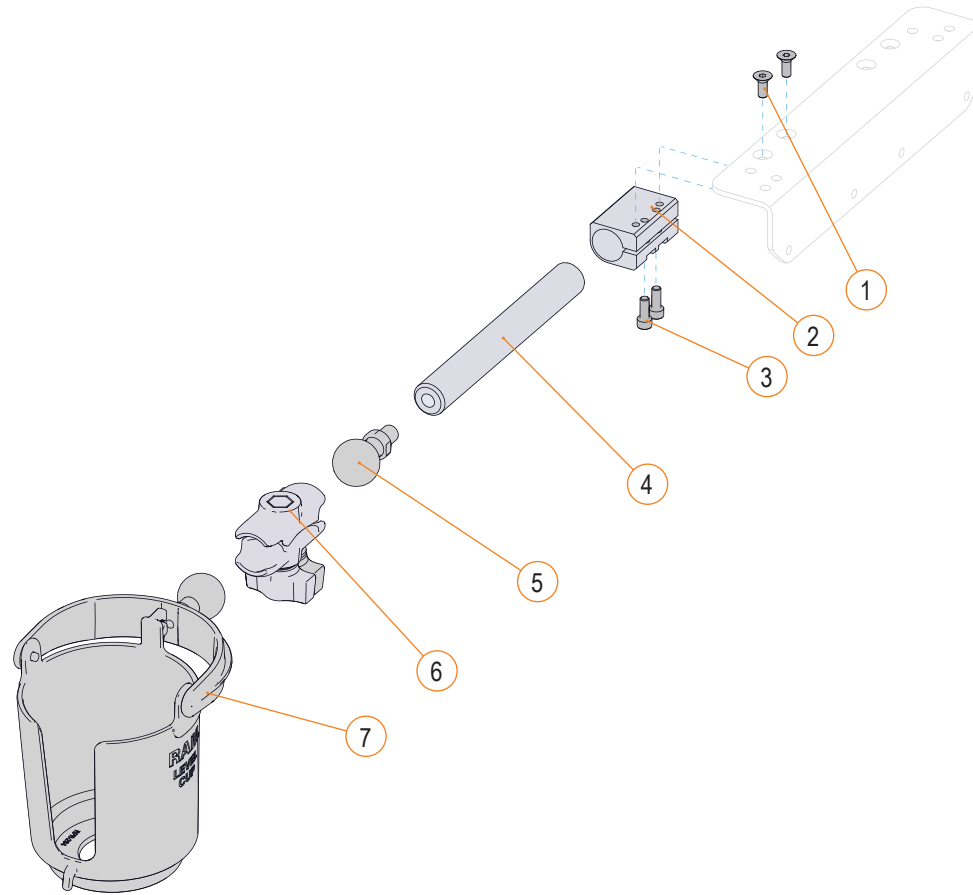


RAM MOUNT UNIVERSAL X-GRIP FOR LARGE TABLET			
ITEM #	PART #	DESCRIPTION	EFFECTIVE
2	A34110	RAM SHORT DOUBLE SOCKET ARM	2025-06-26
3	A34112	RAM DOUBLE 1 IN BALL ARM	2025-06-26
4	A34115	RAM MEDIUM DOUBLE SOCKET ARM	2025-06-26
5	A34117	RAM ROUND PLATE 1 IN BALL	2025-06-26
6	A34118	RAM ROTO-VIEW ROTATING MOUNTING PLATE	2025-06-26
7	A34119	RAM UNIVERSAL XGRIP LARGE TABLET HOLDER	2025-06-26
8	K00057	RAM MOUNT XGRIP CAPS, 4 PCS	2025-06-26
1-8	1005397	KIT FOR RAM UNIVERSAL XGRIP L TABLET HOLDER	2025-06-26

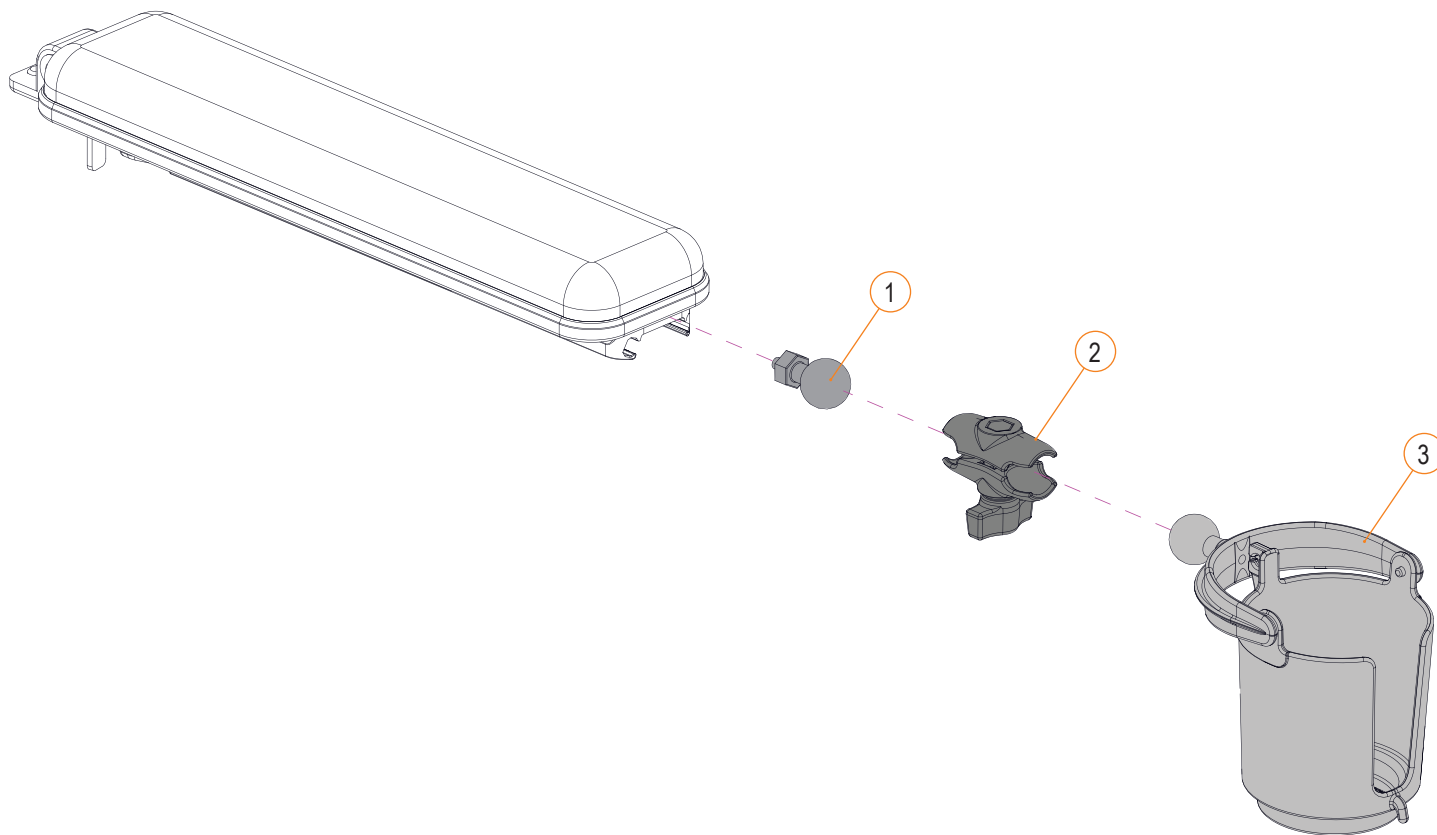


RAM MOUNT ACCESSORIES - SECTION 2.9.2

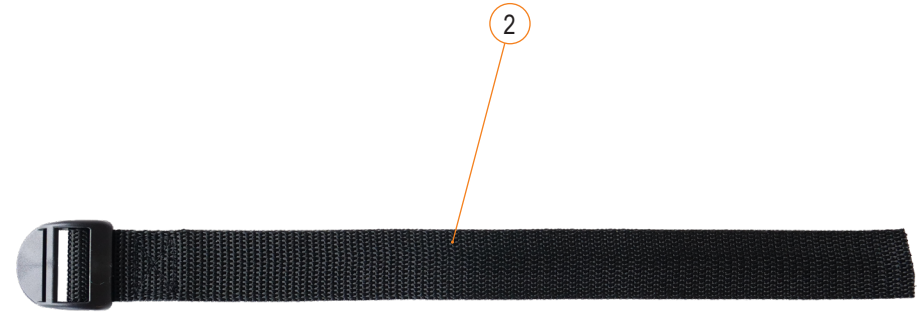
RAM MOUNT CUP HOLDER			
ITEM #	PART #	DESCRIPTION	EFFECTIVE
6	A34110	RAM SHORT DOUBLE SOCKET ARM	2014-12-04
7	A34111	RAM SELF LEVELING CUP HOLDER	2014-12-04
1-7	C-34105	KIT FOR RAM SELF LEVELING CUP HOLDER	2014-12-04



RAM MOUNT CUP HOLDER			
ITEM #	PART #	DESCRIPTION	EFFECTIVE
2	A34110	RAM SHORT DOUBLE SOCKET ARM	2025-06-26
3	A34111	RAM SELF LEVELING CUP HOLDER	2025-06-26
1-3	1005394	KIT FOR RAM SELF LEVELING CUP HOLDER	2025-06-26

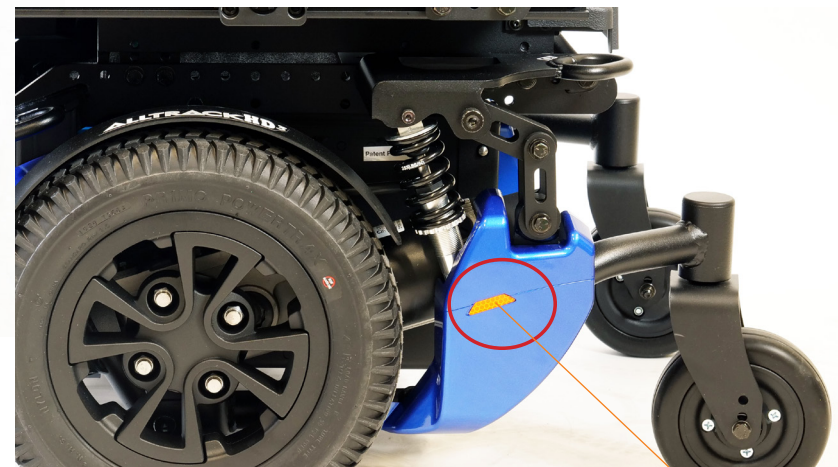


BACKPACK & SIDE POUCH			
ITEM #	PART #	DESCRIPTION	EFFECTIVE
1	H00120	BACKPACK, 17 IN H X 14 IN L, BLACK	2020-03-19
2	1001020	BACKPACK STRAP, 12 IN LG X 1 IN WD, BLACK	2019-08-21
3	H00121	ARMREST POUCH, 8 IN H X 10 IN L, BLACK	2019-05-10





REFLECTOR STICKERS			
ITEM #	PART #	DESCRIPTION	EFFECTIVE
1-3	1003071	KIT, REFLECTOR STICKERS	2021-05-07



VISIBILITY FLAG WITH POLE			
ITEM #	PART #	DESCRIPTION	EFFECTIVE
1,2	1003070	KIT, VISIBILITY FLAG WITH POLE	2021-05-07

