

10.1 - POWER-ASSIST DEVICES

10.1.1 - YOMPER+

- YOMPER+ 10.1.1.1
- YOMPER+ 10.1.1.2
- YOMPER+ 10.1.1.3
- YOMPER+ MOTOR..... 10.1.1.4
- YOMPER+ TIRE..... 10.1.1.5
- BLUETOOTH CONTROL BOX EASYGO..... 10.1.1.6
- BLUETOOTH CONTROL BOX EASYGO SUPPORT 10.1.1.7
- CASES FOR YOMPER+..... 10.1.1.8
- YOMPER+ ACCESSORIES..... 10.1.1.9
- MOUNT FOR YOMPER+..... 10.1.1.10
- MOUNT FOR YOMPER+..... 10.1.1.11
- MOUNT FOR YOMPER+..... 10.1.1.12
- MOUNT FOR YOMPER+..... 10.1.1.13
- MOUNT FOR YOMPER+..... 10.1.1.14
- MOUNT FOR YOMPER+..... 10.1.1.15

10.1.2 - ENJO

- ENJO 10.1.2.1
- ENJO 10.1.2.2
- ENJO 10.1.2.3
- CONTROL BOX ENJO..... 10.1.2.4
- ENJO TIRE..... 10.1.2.5
- CASE AND STRAPS FOR ENJO..... 10.1.2.6
- MOUNT FOR ENJO 10.1.2.7
- MOUNT FOR ENJO 10.1.2.8
- MOUNT FOR ENJO 10.1.2.9
- MOUNT FOR ENJO 10.1.2.10
- MOUNT FOR ENJO 10.1.2.11
- MOUNT FOR ENJO 10.1.2.12
- MOUNT FOR ENJO 10.1.2.13
- ADAPTERS FOR ENJO MOUNTS..... 10.1.2.14

LEGEND

CURRENT

- These parts and assemblies are currently being produced and delivered.*

SERVICEABLE PARTS

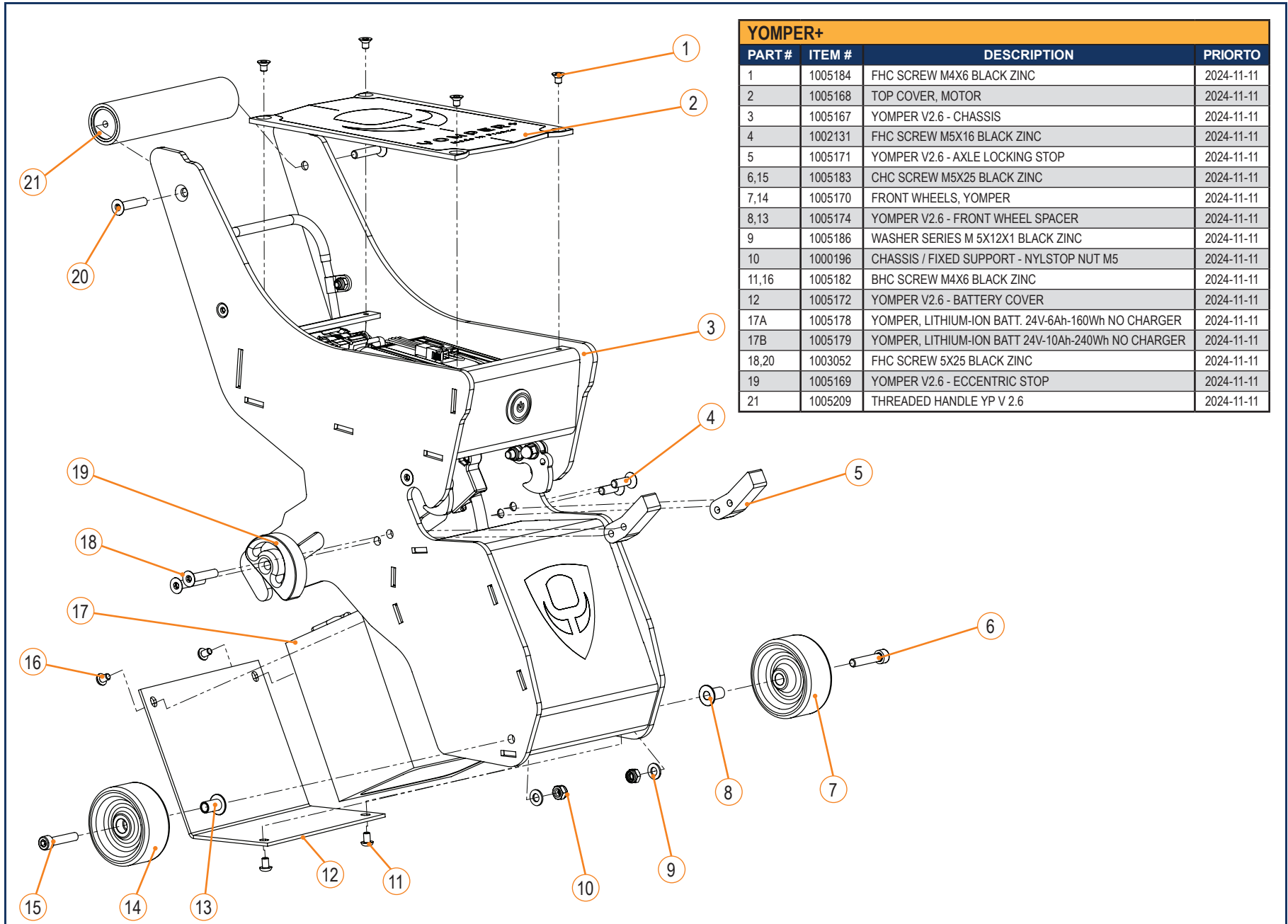
- These parts and assemblies are not currently being produced or delivered on new chairs, but they are available as replacement service parts.*

DISCONTINUED

- These parts and assemblies are no longer being produced or delivered on new chairs, and they are not available as replacement service parts.*

* Please contact Technical Support for information on the replacement parts and assemblies.

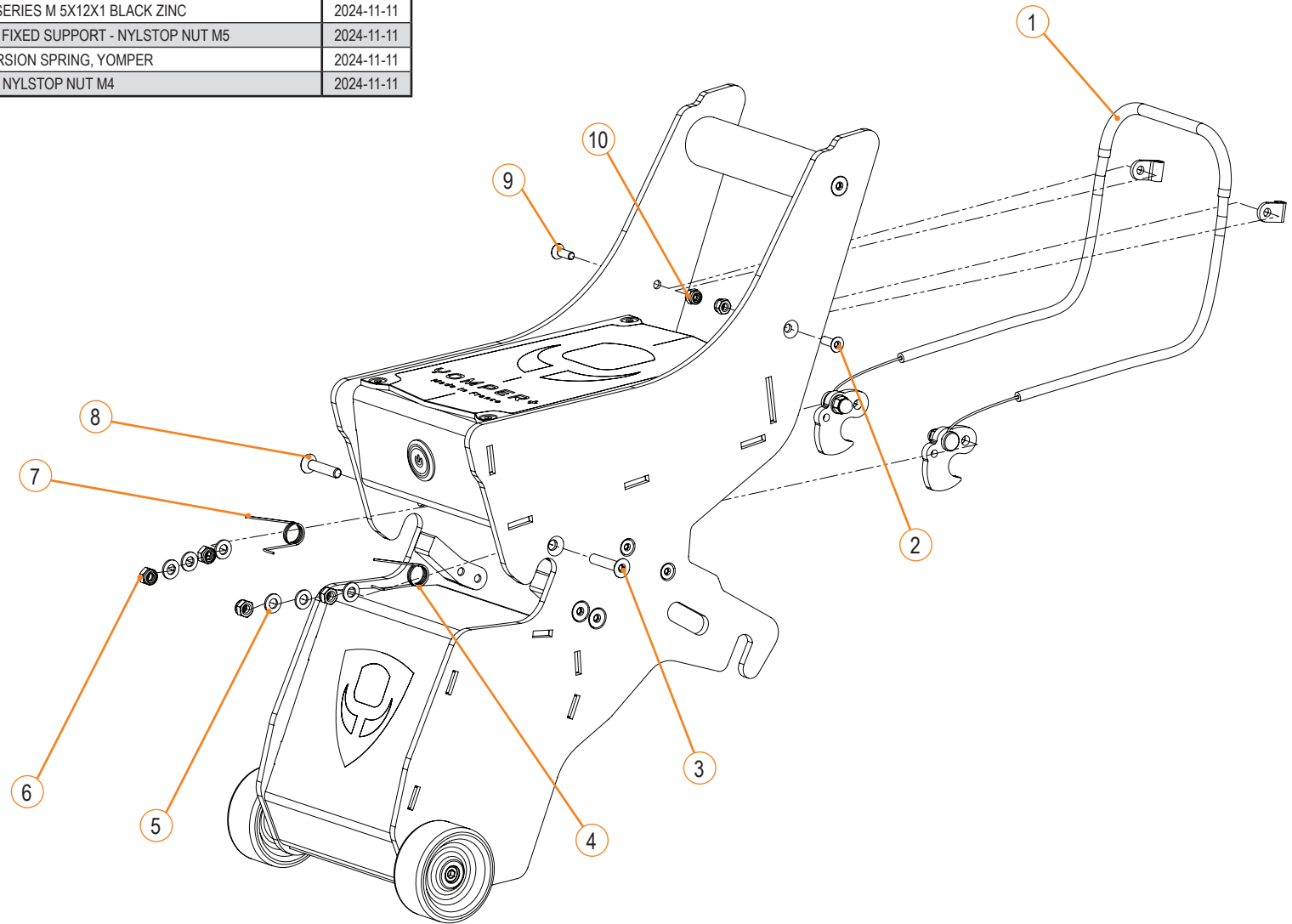
YOMPER+ - SECTION 10.1.1



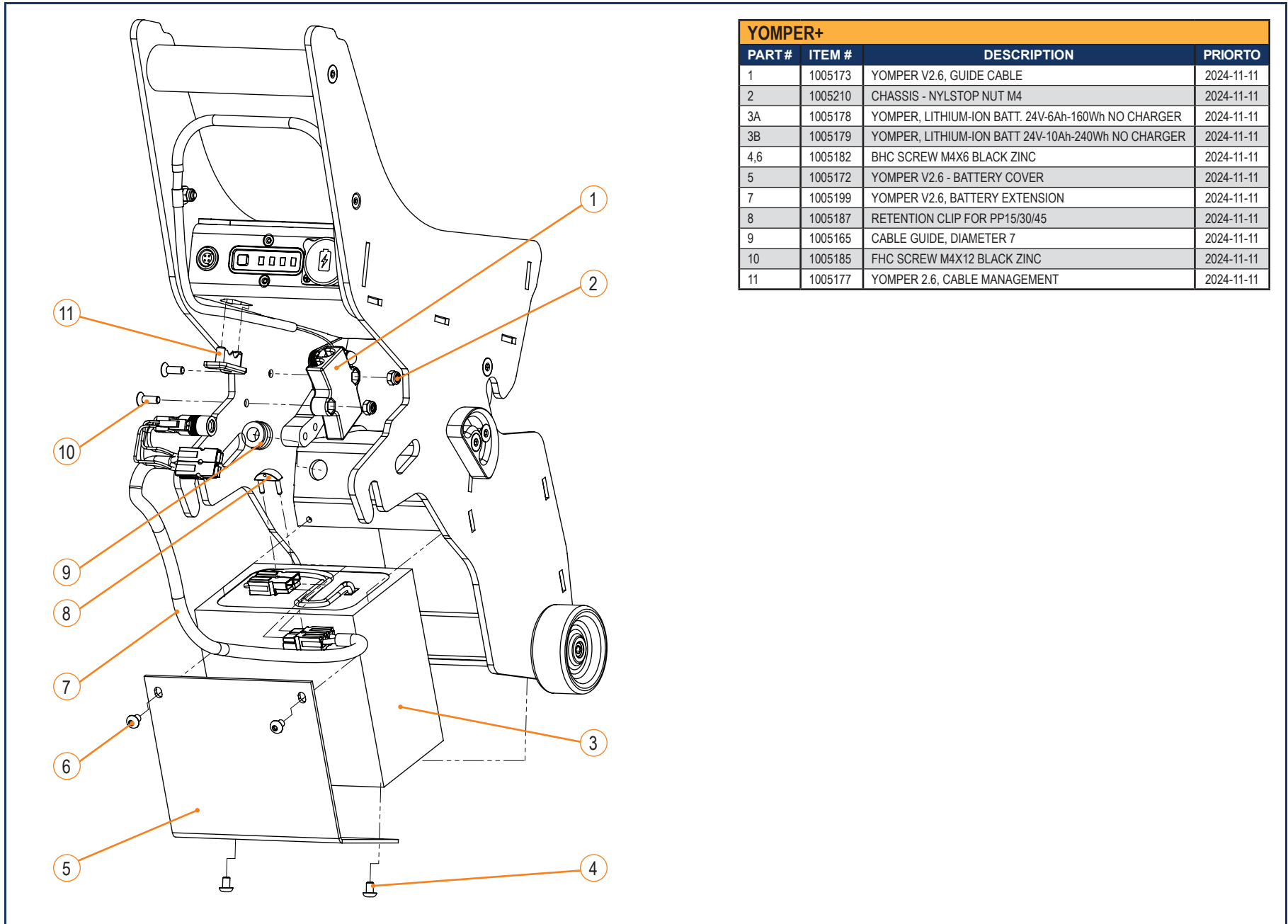
YOMPER+			
PART #	ITEM #	DESCRIPTION	PRIORITO
1	1005184	FHC SCREW M4X6 BLACK ZINC	2024-11-11
2	1005168	TOP COVER, MOTOR	2024-11-11
3	1005167	YOMPER V2.6 - CHASSIS	2024-11-11
4	1002131	FHC SCREW M5X16 BLACK ZINC	2024-11-11
5	1005171	YOMPER V2.6 - AXLE LOCKING STOP	2024-11-11
6,15	1005183	CHC SCREW M5X25 BLACK ZINC	2024-11-11
7,14	1005170	FRONT WHEELS, YOMPER	2024-11-11
8,13	1005174	YOMPER V2.6 - FRONT WHEEL SPACER	2024-11-11
9	1005186	WASHER SERIES M 5X12X1 BLACK ZINC	2024-11-11
10	1000196	CHASSIS / FIXED SUPPORT - NYLSTOP NUT M5	2024-11-11
11,16	1005182	BHC SCREW M4X6 BLACK ZINC	2024-11-11
12	1005172	YOMPER V2.6 - BATTERY COVER	2024-11-11
17A	1005178	YOMPER, LITHIUM-ION BATT. 24V-6Ah-160Wh NO CHARGER	2024-11-11
17B	1005179	YOMPER, LITHIUM-ION BATT 24V-10Ah-240Wh NO CHARGER	2024-11-11
18,20	1003052	FHC SCREW 5X25 BLACK ZINC	2024-11-11
19	1005169	YOMPER V2.6 - ECCENTRIC STOP	2024-11-11
21	1005209	THREADED HANDLE YP V 2.6	2024-11-11

YOMPER+ - SECTION 10.1.1

YOMPER+			
PART#	ITEM #	DESCRIPTION	PRIORTO
1	1005200	LOCKING SYSTEM, YOMPER	2024-11-11
2,9	1005253	FHC SCREW M4X12 BLACK ZINC	2024-11-11
3,8	1003052	FHC SCREW 5X25 BLACK ZINC	2024-11-11
4	1005189	LEFT TORSION SPRING, YOMPER	2024-11-11
5	1005186	WASHER SERIES M 5X12X1 BLACK ZINC	2024-11-11
6	1000196	CHASSIS / FIXED SUPPORT - NYLSTOP NUT M5	2024-11-11
7	1005188	RIGHT TORSION SPRING, YOMPER	2024-11-11
10	1005210	CHASSIS - NYLSTOP NUT M4	2024-11-11



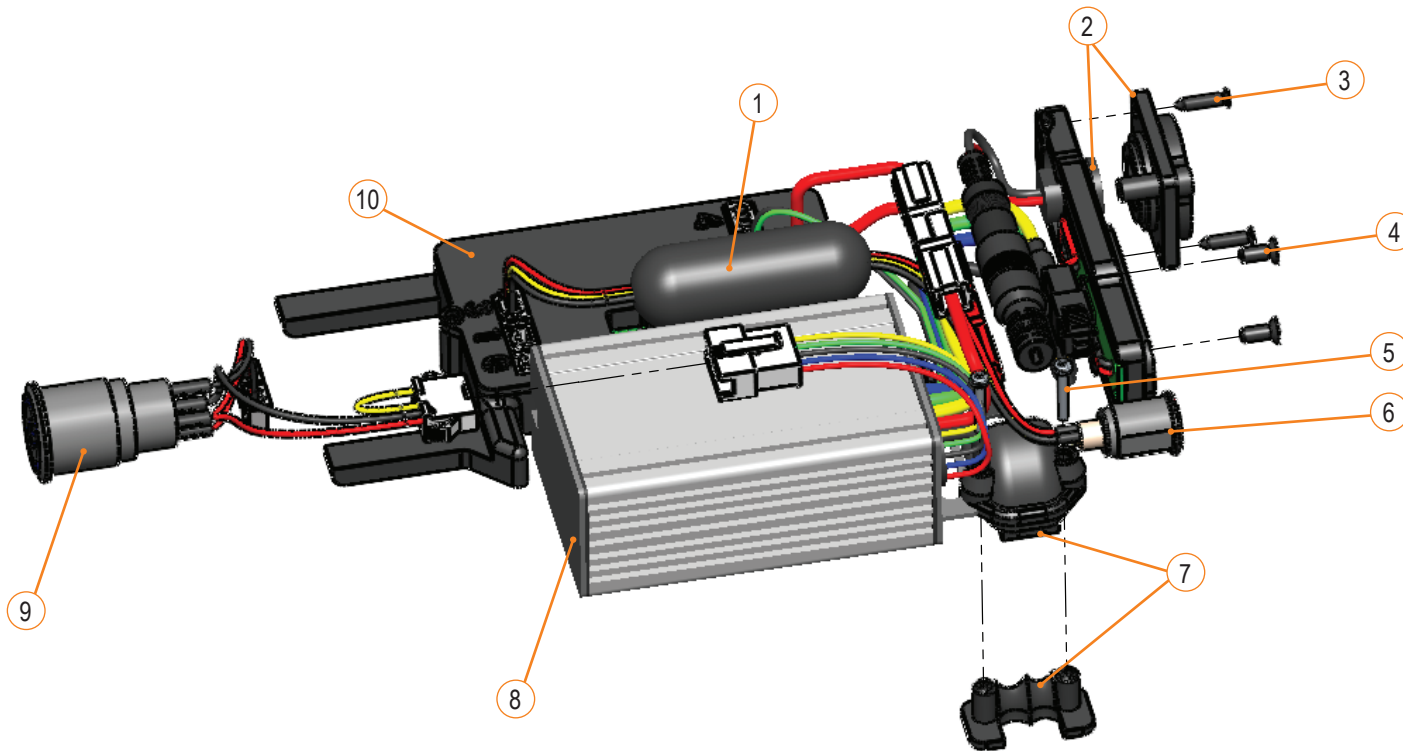
YOMPER+ - SECTION 10.1.1



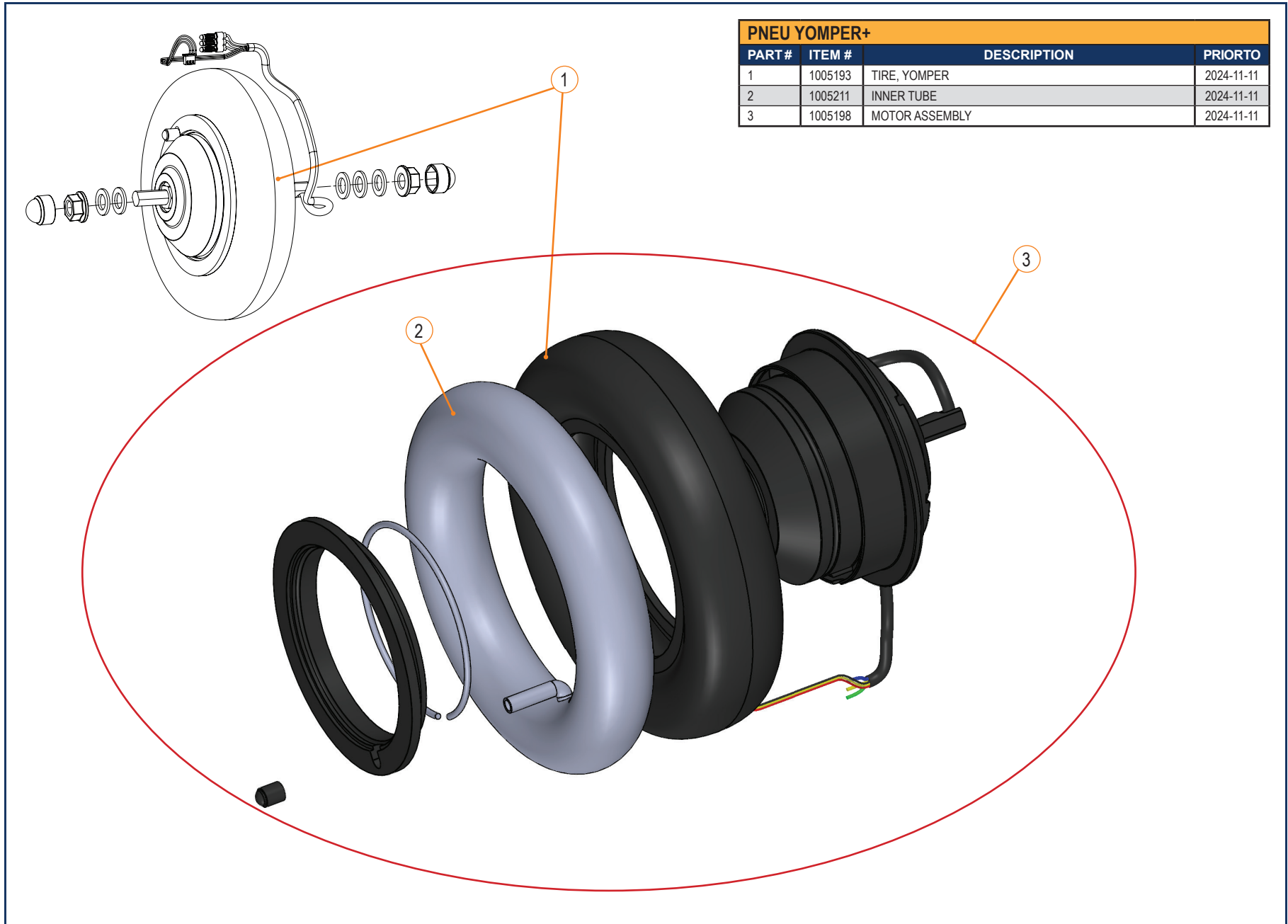
YOMPER+			
PART #	ITEM #	DESCRIPTION	PRIORTO
1	1005173	YOMPER V2.6, GUIDE CABLE	2024-11-11
2	1005210	CHASSIS - NYLSTOP NUT M4	2024-11-11
3A	1005178	YOMPER, LITHIUM-ION BATT. 24V-6Ah-160Wh NO CHARGER	2024-11-11
3B	1005179	YOMPER, LITHIUM-ION BATT 24V-10Ah-240Wh NO CHARGER	2024-11-11
4,6	1005182	BHC SCREW M4X6 BLACK ZINC	2024-11-11
5	1005172	YOMPER V2.6 - BATTERY COVER	2024-11-11
7	1005199	YOMPER V2.6, BATTERY EXTENSION	2024-11-11
8	1005187	RETENTION CLIP FOR PP15/30/45	2024-11-11
9	1005165	CABLE GUIDE, DIAMETER 7	2024-11-11
10	1005185	FHC SCREW M4X12 BLACK ZINC	2024-11-11
11	1005177	YOMPER 2.6, CABLE MANAGEMENT	2024-11-11

YOMPER+ - SECTION 10.1.1

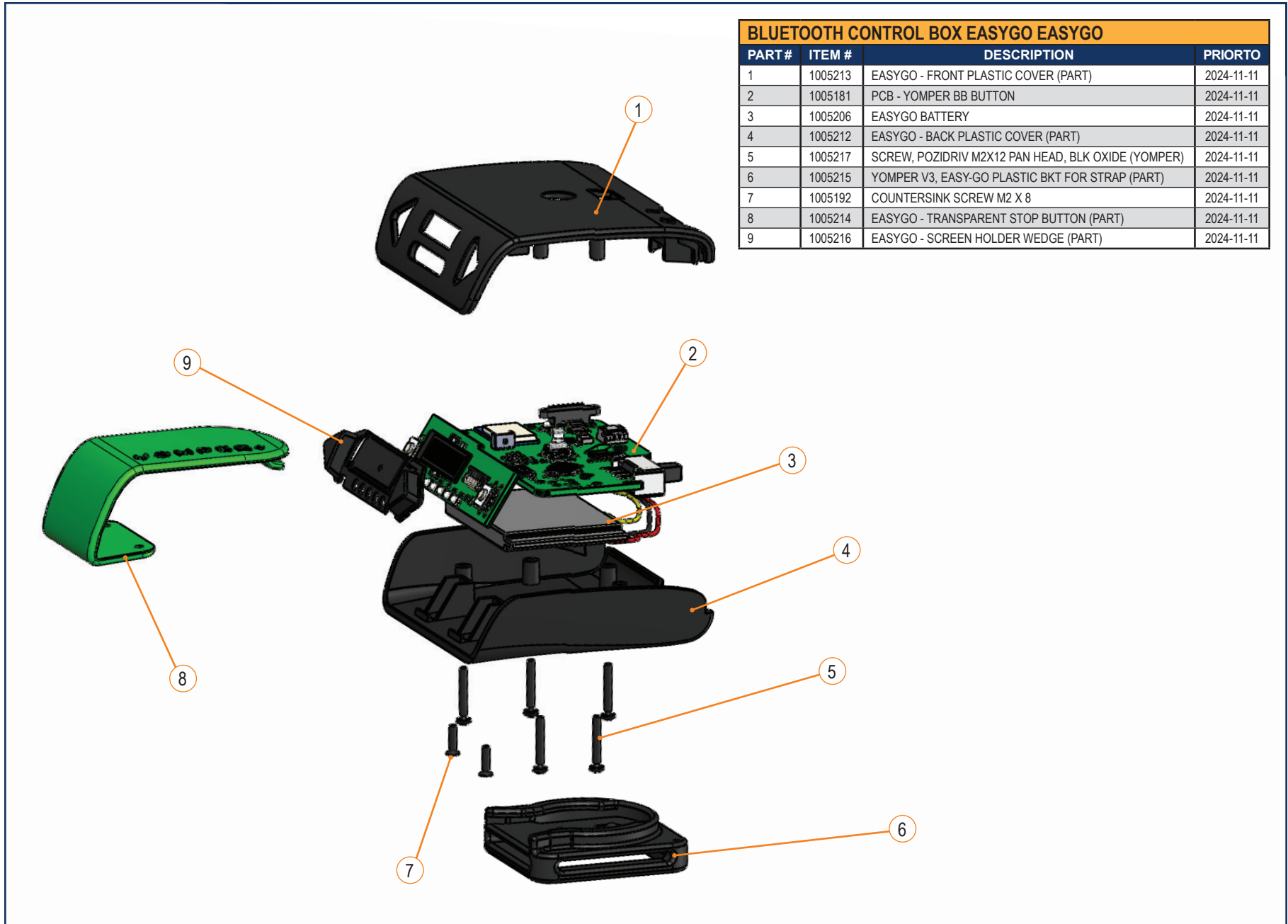
YOMPER+ MOTOR			
PART #	ITEM #	DESCRIPTION	PRIORTO
1	1005166	FERRITE, YOMPER	2024-11-11
2	1005196	POWER SOCKET ASS'Y, YOMPER	2024-11-11
3	1005190	SCREW, VAT_TF_M2,6X12	2024-11-11
4	1000972	FHC SCREW M3X8 BLACK ZINC	2024-11-11
5	1005266	FLAT NARROW WASHER Z D12 STAINLESS STEEL A2	2024-11-11
6	1005203	CONNECTOR FOR YOMPER ATTENDANT CONTROL	2024-11-11
7	1005177	YOMPER 2.6, CABLE MANAGEMENT	2024-11-11
8	1005205	CONTROLLER ASS'Y, YOMPER	2024-11-11
9	1005202	POWER BUTTON, YOMPER	2024-11-11
10	1005204	YOMPER PCB - ELECTRONIC BOARD	2024-11-11



YOMPER+ - SECTION 10.1.1

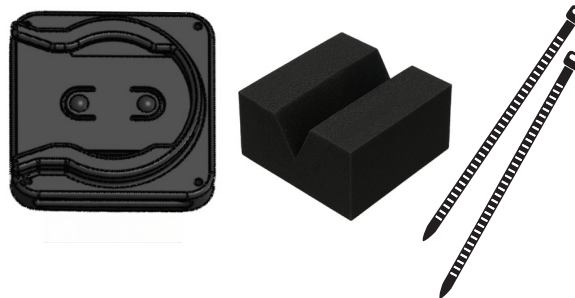
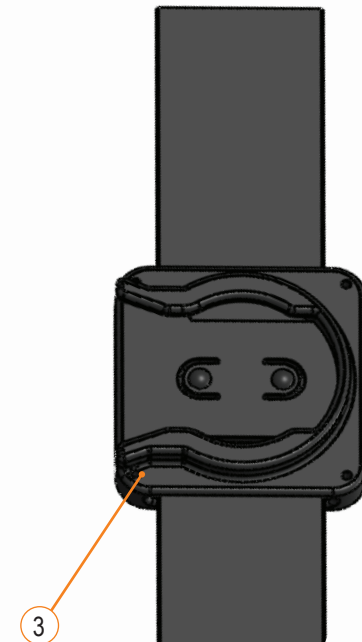
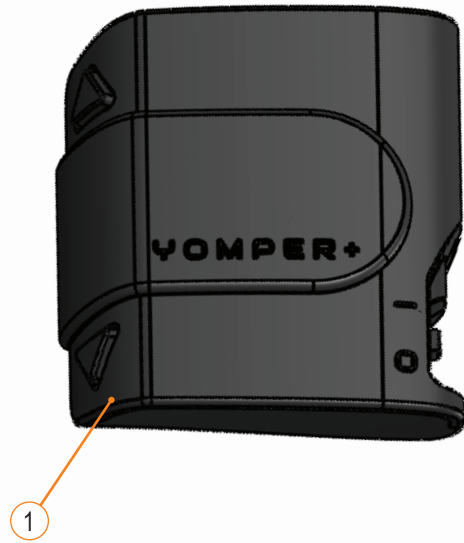


PNEU YOMPER+			
PART #	ITEM #	DESCRIPTION	PRIORTO
1	1005193	TIRE, YOMPER	2024-11-11
2	1005211	INNER TUBE	2024-11-11
3	1005198	MOTOR ASSEMBLY	2024-11-11



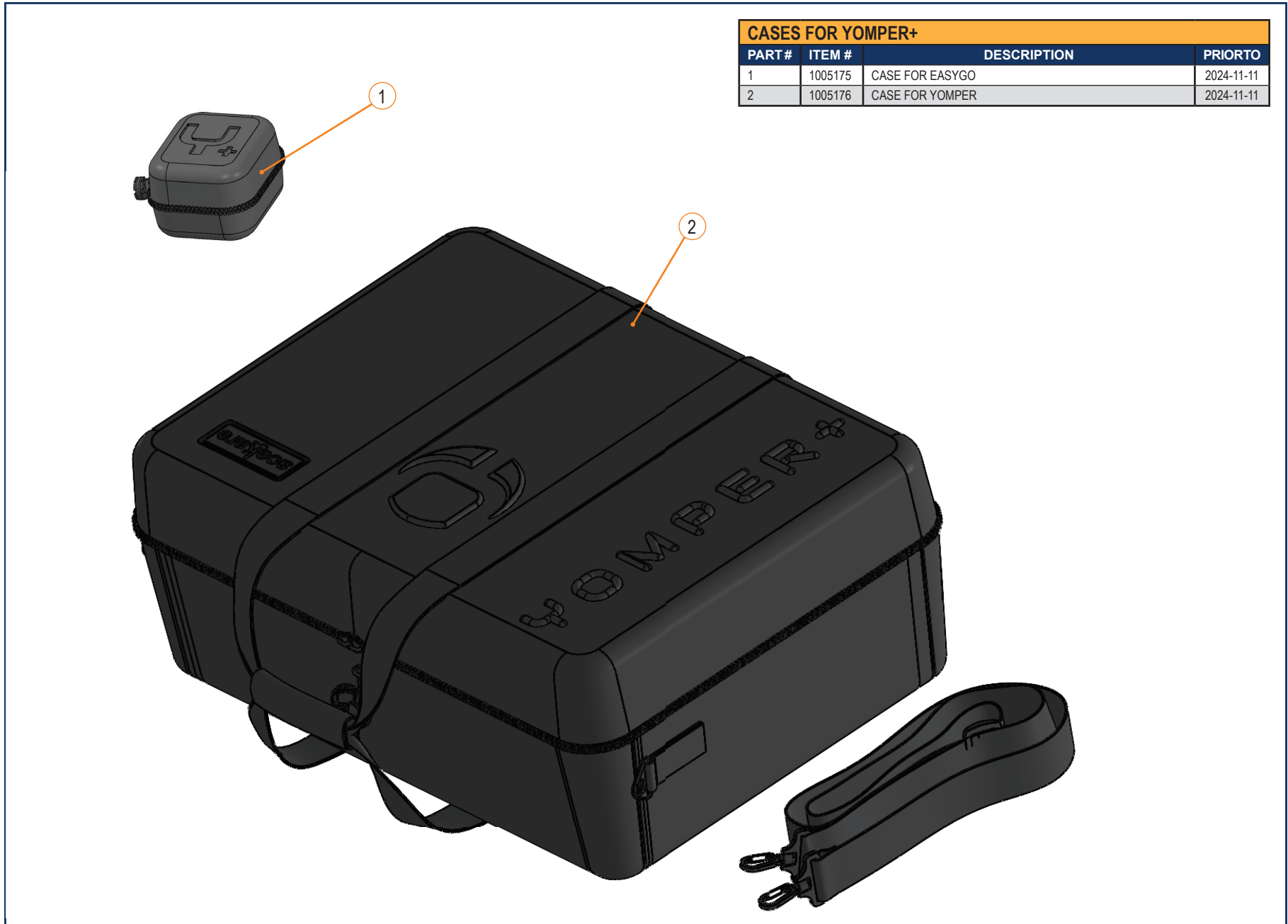
BLUETOOTH CONTROL BOX EASYGO EASYGO			
PART #	ITEM #	DESCRIPTION	PRIORTO
1	1005213	EASYGO - FRONT PLASTIC COVER (PART)	2024-11-11
2	1005181	PCB - YOMPER BB BUTTON	2024-11-11
3	1005206	EASYGO BATTERY	2024-11-11
4	1005212	EASYGO - BACK PLASTIC COVER (PART)	2024-11-11
5	1005217	SCREW, POZIDRIV M2X12 PAN HEAD, BLK OXIDE (YOMPER)	2024-11-11
6	1005215	YOMPER V3, EASY-GO PLASTIC BKT FOR STRAP (PART)	2024-11-11
7	1005192	COUNTERSINK SCREW M2 X 8	2024-11-11
8	1005214	EASYGO - TRANSPARENT STOP BUTTON (PART)	2024-11-11
9	1005216	EASYGO - SCREEN HOLDER WEDGE (PART)	2024-11-11

YOMPER+ - SECTION 10.1.1



BLUETOOTH CONTROL BOX EASYGO EASYGO SUPPORT			
PART #	ITEM #	DESCRIPTION	PRIOR TO
1	1005255	BLUETOOTH CONTROL BOX, STANDALONE	2024-11-11
1,3	1005260	KIT, EASYGO, BLUETOOTH CONTROL BOX	2024-11-11
2	1005256	WHEELCHAIR SUPPORT BRACKET, EASYGO CONTROL BOX	2024-11-11
3	1005257	LEG STRAP, EASYGO CONTROL BOX	2024-11-11

YOMPER+ - SECTION 10.1.1



CASES FOR YOMPER+			
PART #	ITEM #	DESCRIPTION	PRIORTO
1	1005175	CASE FOR EASYGO	2024-11-11
2	1005176	CASE FOR YOMPER	2024-11-11

YOMPER+ - SECTION 10.1.1



1

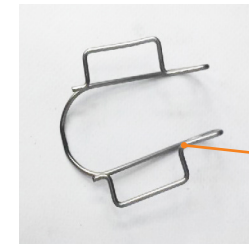


2



5

4

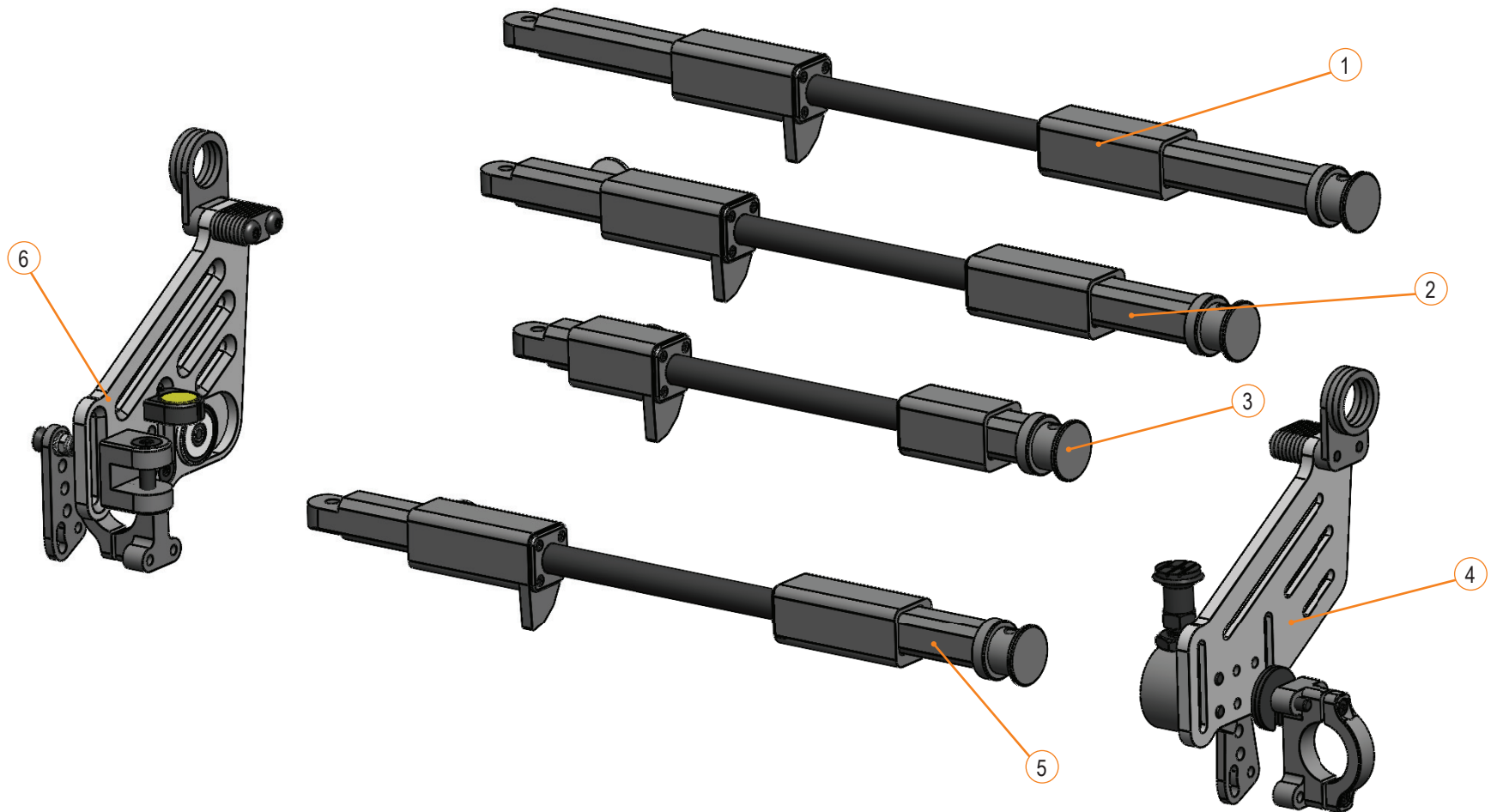


3

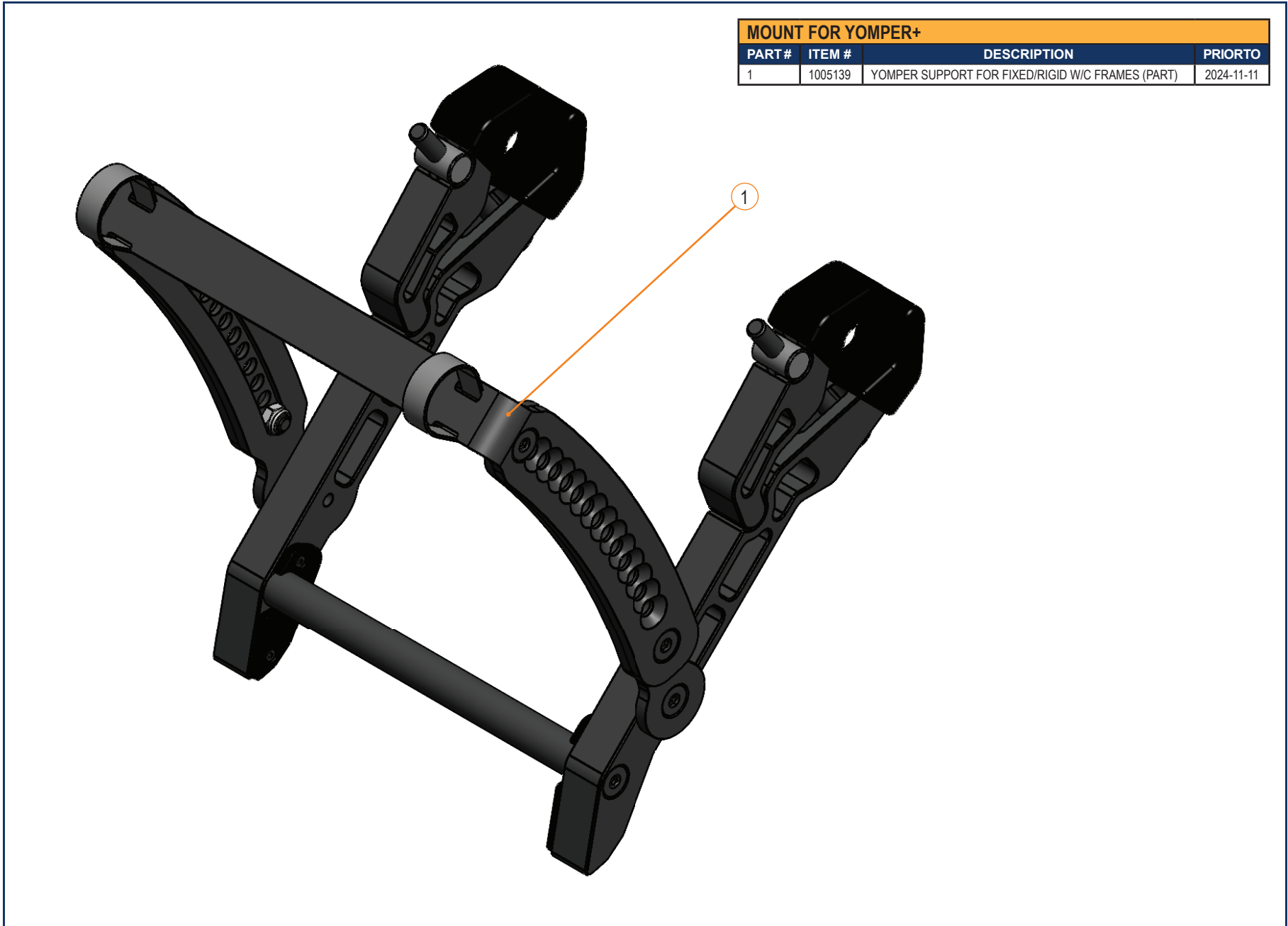
YOMPER+ ACCESSORIES			
PART #	ITEM #	DESCRIPTION	PRIORTO
1-3	1005141	YOMPER ATTENDANT CONTROL KIT	2024-11-11
1	1005258	OFFSET FOR ATTENDANT CONTROL	2024-11-11
2	1005208	ATTENDANT CONTROL (STANDALONE)	2024-11-11
3	1005259	CLIP TO INSTALL EASYGO ON THE WHEELCHAIR BACK	2024-11-11
4-5	1005201	24V 2A, YOMPER CHARGER	2024-11-11
4	1005130	3-PRONG AC POWER CORD, NORTH AMERICA	2024-11-11

YOMPER+ - SECTION 10.1.1

MOUNT FOR YOMPER+			
PART #	ITEM #	DESCRIPTION	PRIORTO
1	1005134	CENTRAL MTNG BAR OVER 52CM, FOLDING FRAME W/C'S	2024-11-11
2	1005133	CENTRAL MOUNTING BAR 44-52 CM, FOLDING FRAME W/C'S	2024-11-11
3	1005131	CENTRAL MOUNTING BAR 32-38 CM, FOLDING FRAME W/C'S	2024-11-11
4,6	1005135	LATERAL SUPPORT BKTS 25-50MM, FOLDING FRAME W/C'S	2024-11-11
5	1005132	CENTRAL MOUNTING BAR 38-44 CM, FOLDING FRAME W/C'S	2024-11-11

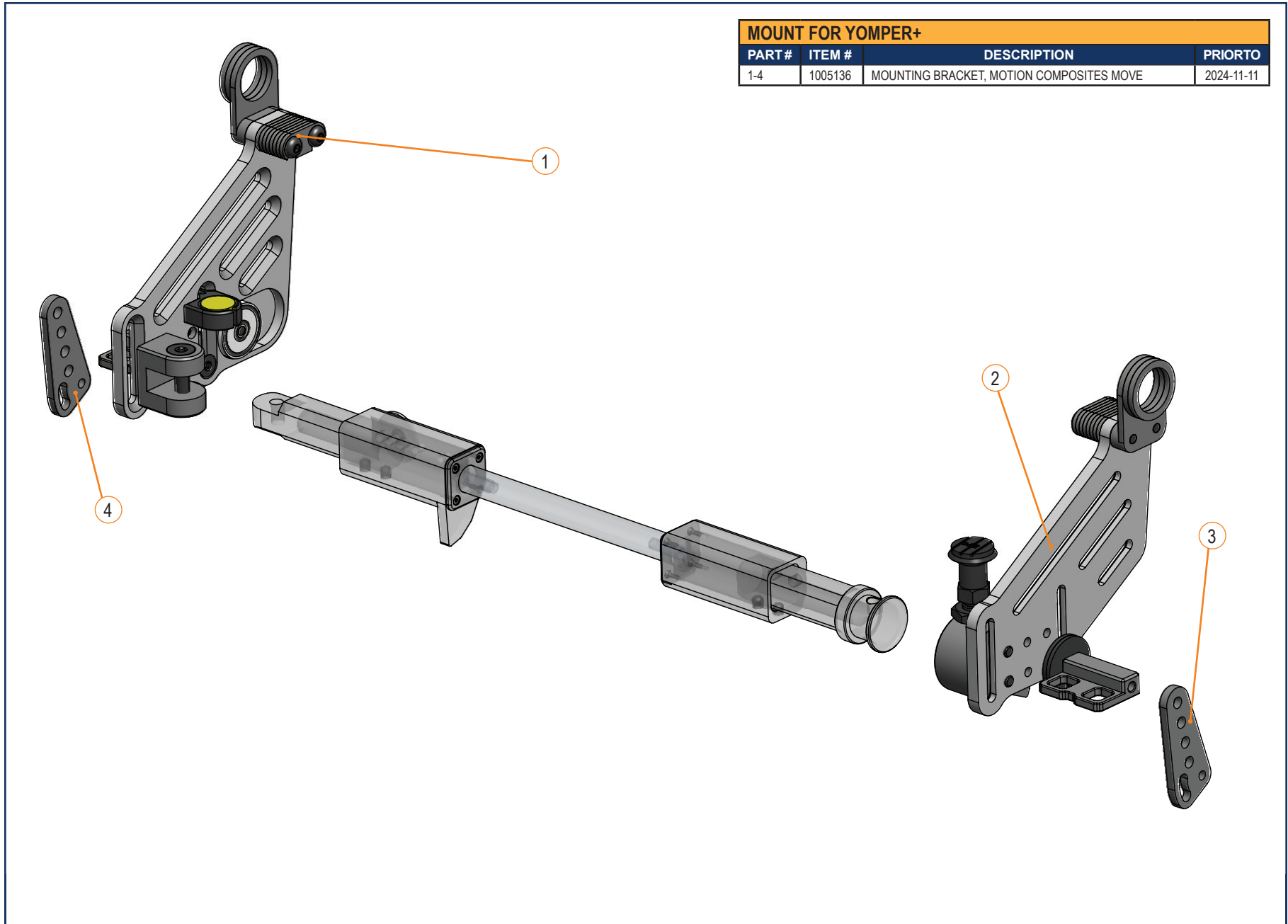


YOMPER+ - SECTION 10.1.1



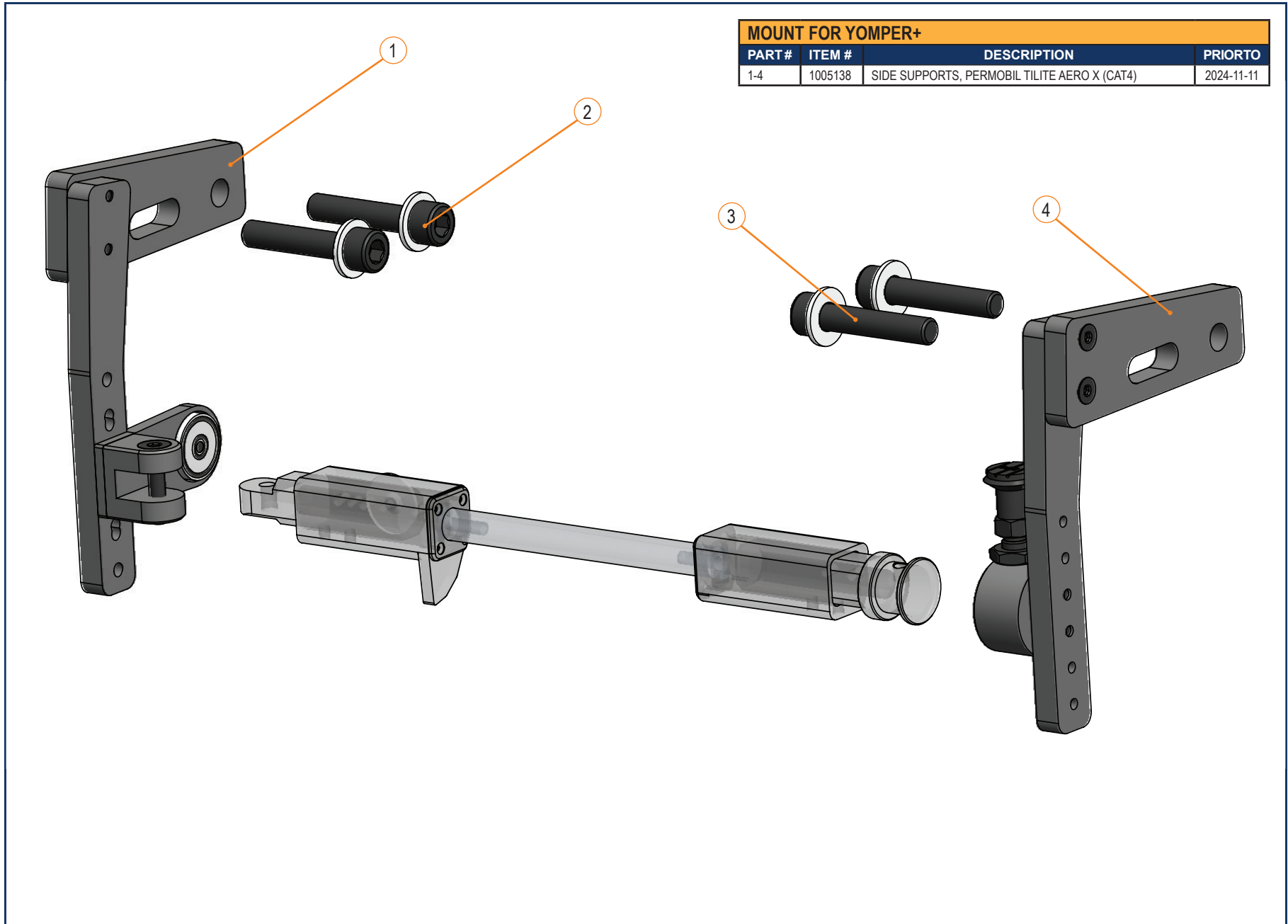
MOUNT FOR YOMPER+			
PART #	ITEM #	DESCRIPTION	PRIORTO
1	1005139	YOMPER SUPPORT FOR FIXED/RIGID W/C FRAMES (PART)	2024-11-11

YOMPER+ - SECTION 10.1.1



MOUNT FOR YOMPER+			
PART #	ITEM #	DESCRIPTION	PRIORTO
1-4	1005136	MOUNTING BRACKET, MOTION COMPOSITES MOVE	2024-11-11

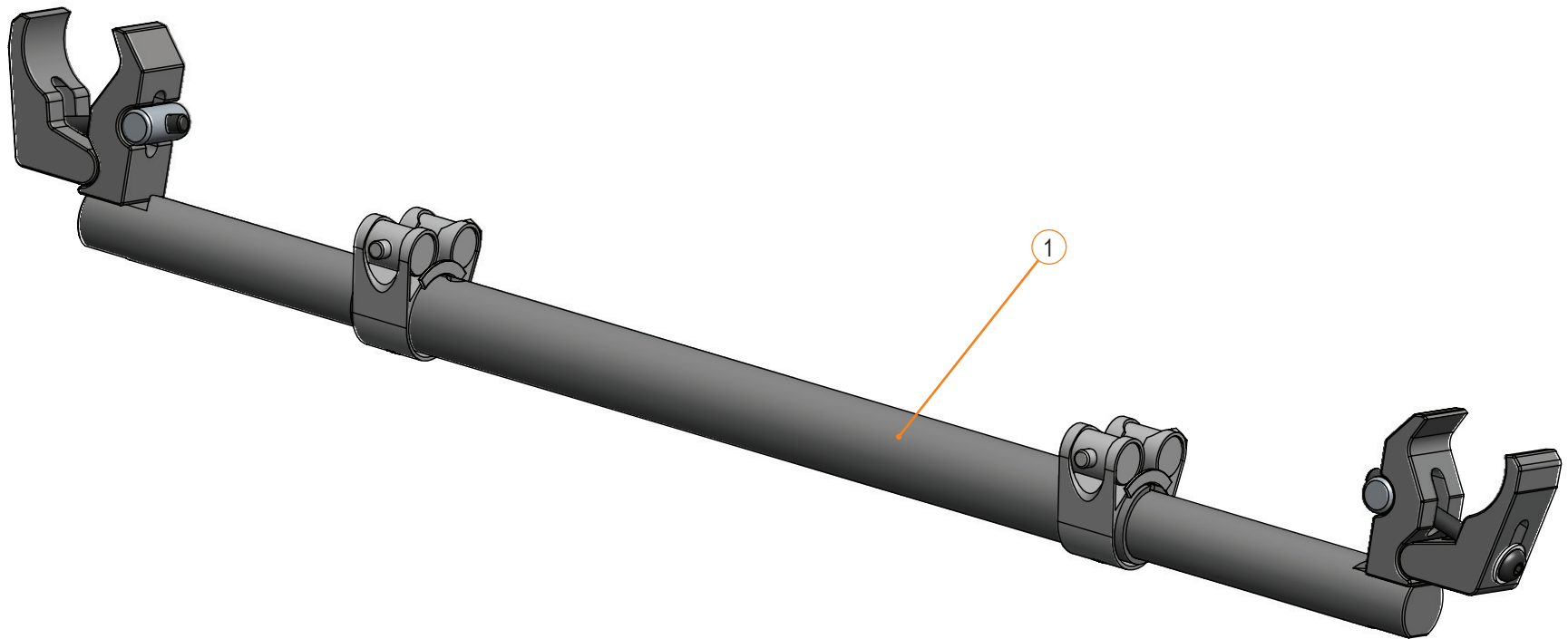
YOMPER+ - SECTION 10.1.1



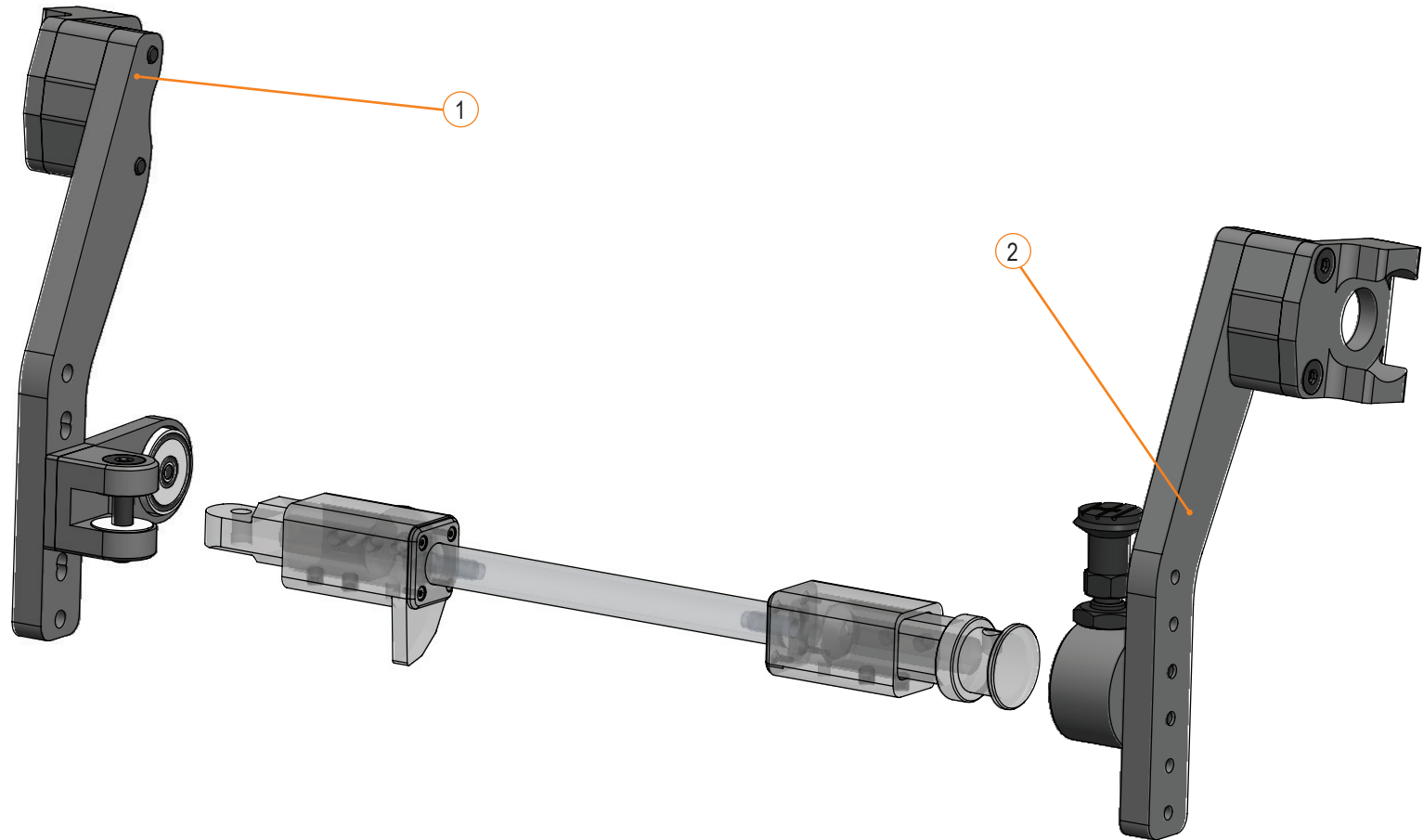
MOUNT FOR YOMPER+			
PART #	ITEM #	DESCRIPTION	PRIORTO
1-4	1005138	SIDE SUPPORTS, PERMOBIL TILITE AERO X (CAT4)	2024-11-11

YOMPER+ - SECTION 10.1.1

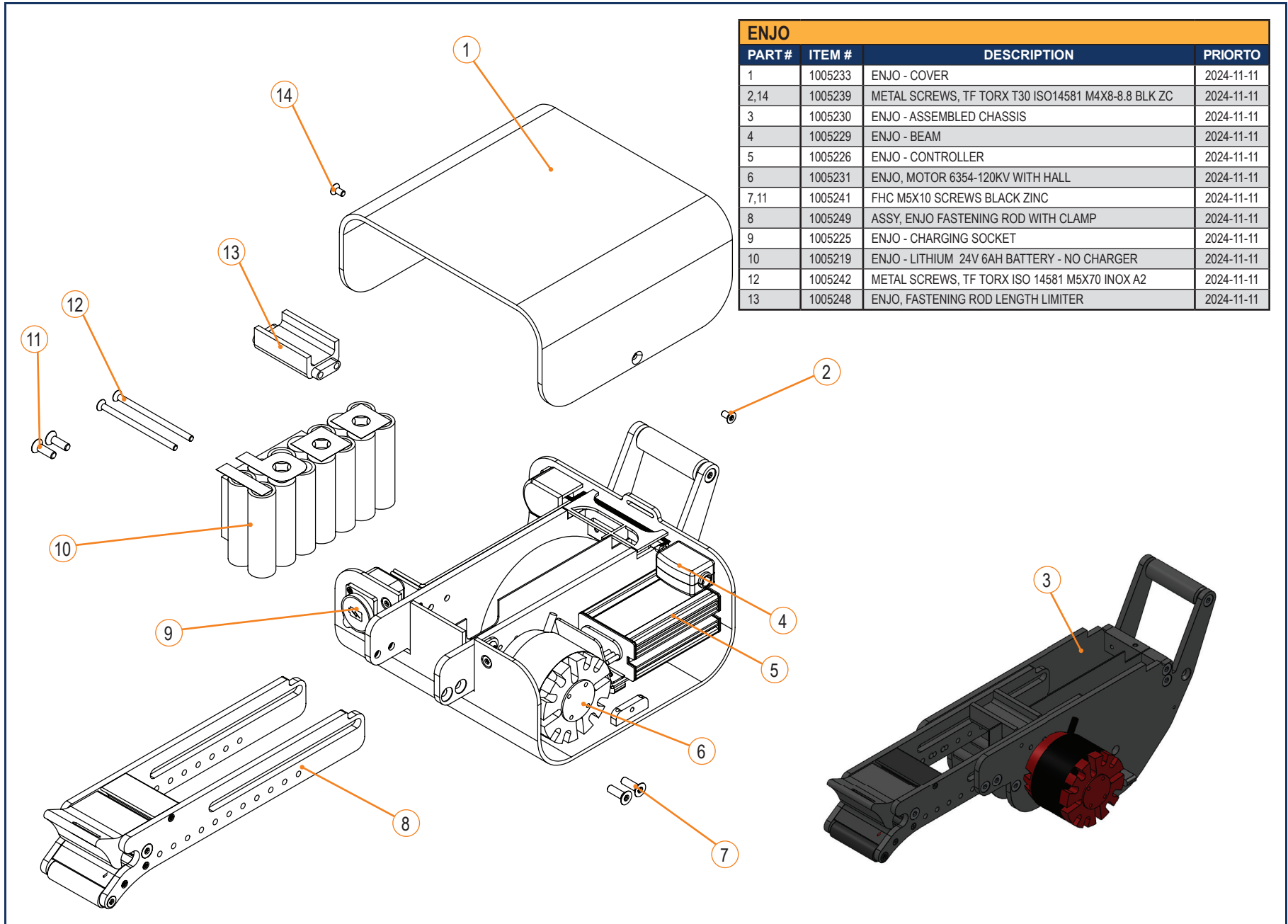
MOUNT FOR YOMPER+			
PART #	ITEM #	DESCRIPTION	PRIORTO
1	1005140	UNDER SEAT BAR FOR MOUNTNG RIGID FRAME BKT	2024-11-11



MOUNT FOR YOMPER+			
PART #	ITEM #	DESCRIPTION	PRIORTO
1-2	1005137	MOUNTING BRACKET, MOTION COMPOSITES VELOCE / HELIO	2024-11-11

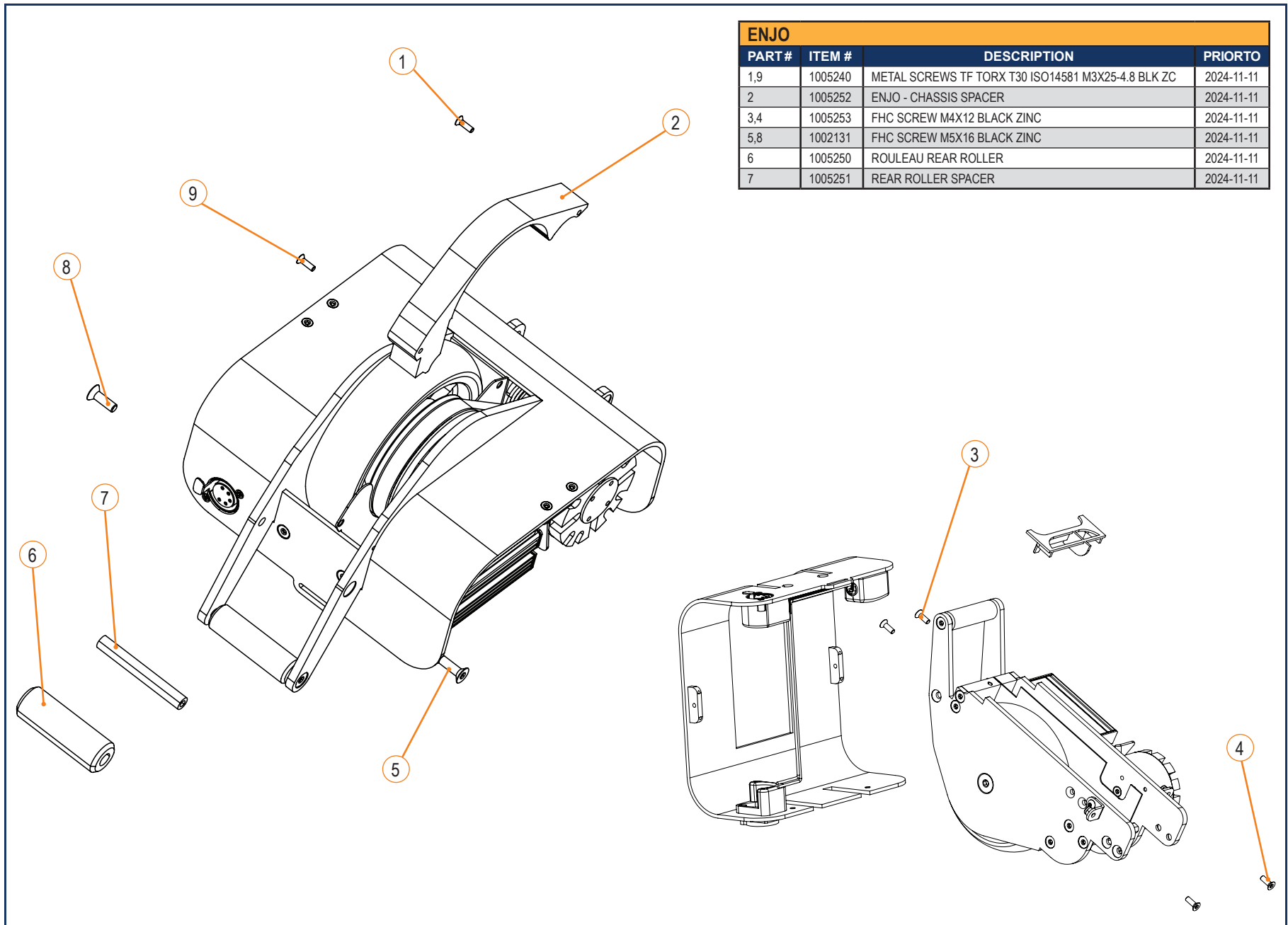


ENJO - SECTION 10.1.2

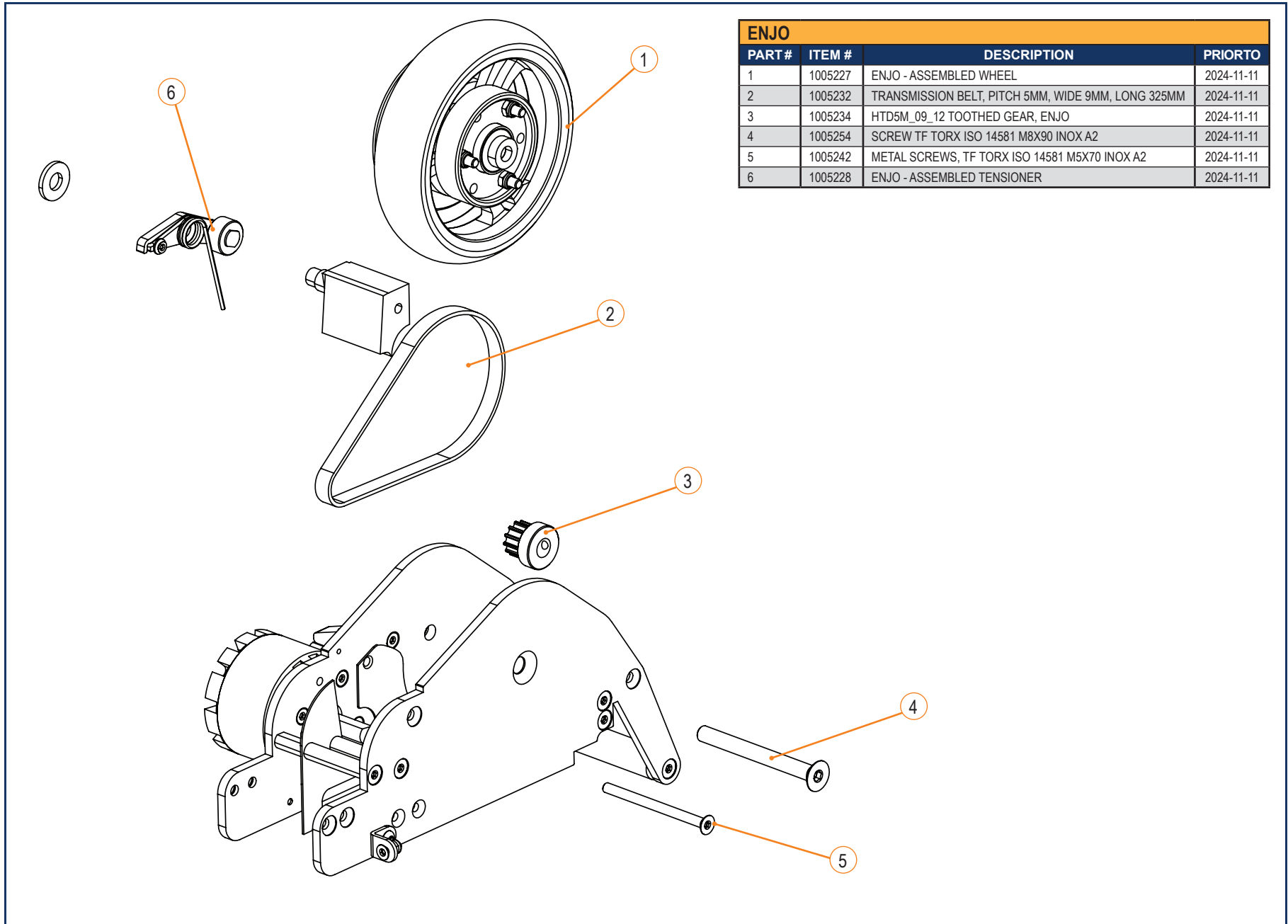


ENJO			
PART #	ITEM #	DESCRIPTION	PRIORTO
1	1005233	ENJO - COVER	2024-11-11
2,14	1005239	METAL SCREWS, TF TORX T30 ISO14581 M4X8-8.8 BLK ZC	2024-11-11
3	1005230	ENJO - ASSEMBLED CHASSIS	2024-11-11
4	1005229	ENJO - BEAM	2024-11-11
5	1005226	ENJO - CONTROLLER	2024-11-11
6	1005231	ENJO, MOTOR 6354-120KV WITH HALL	2024-11-11
7,11	1005241	FHC M5X10 SCREWS BLACK ZINC	2024-11-11
8	1005249	ASSY, ENJO FASTENING ROD WITH CLAMP	2024-11-11
9	1005225	ENJO - CHARGING SOCKET	2024-11-11
10	1005219	ENJO - LITHIUM 24V 6AH BATTERY - NO CHARGER	2024-11-11
12	1005242	METAL SCREWS, TF TORX ISO 14581 M5X70 INOX A2	2024-11-11
13	1005248	ENJO, FASTENING ROD LENGTH LIMITER	2024-11-11

ENJO - SECTION 10.1.2

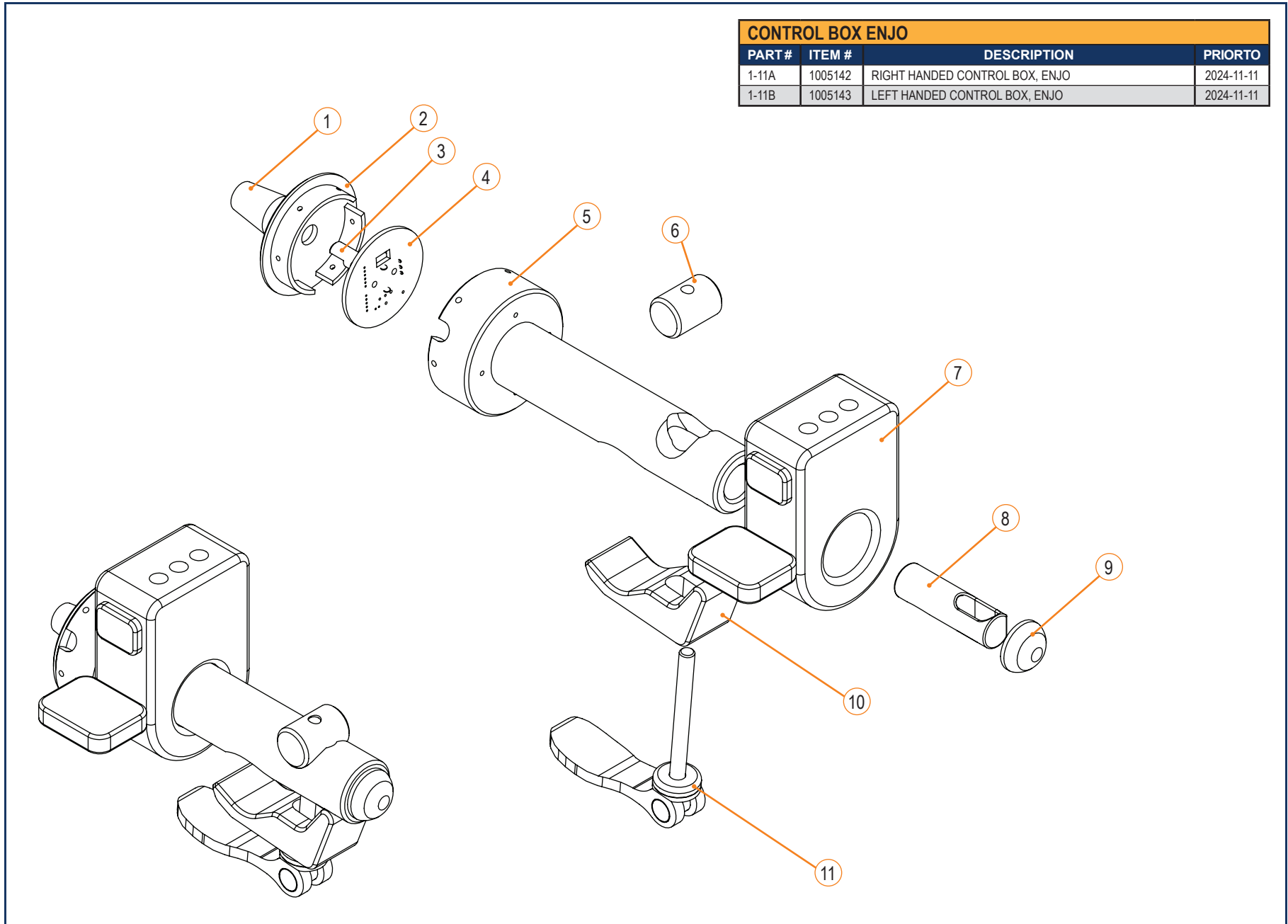


ENJO - SECTION 10.1.2



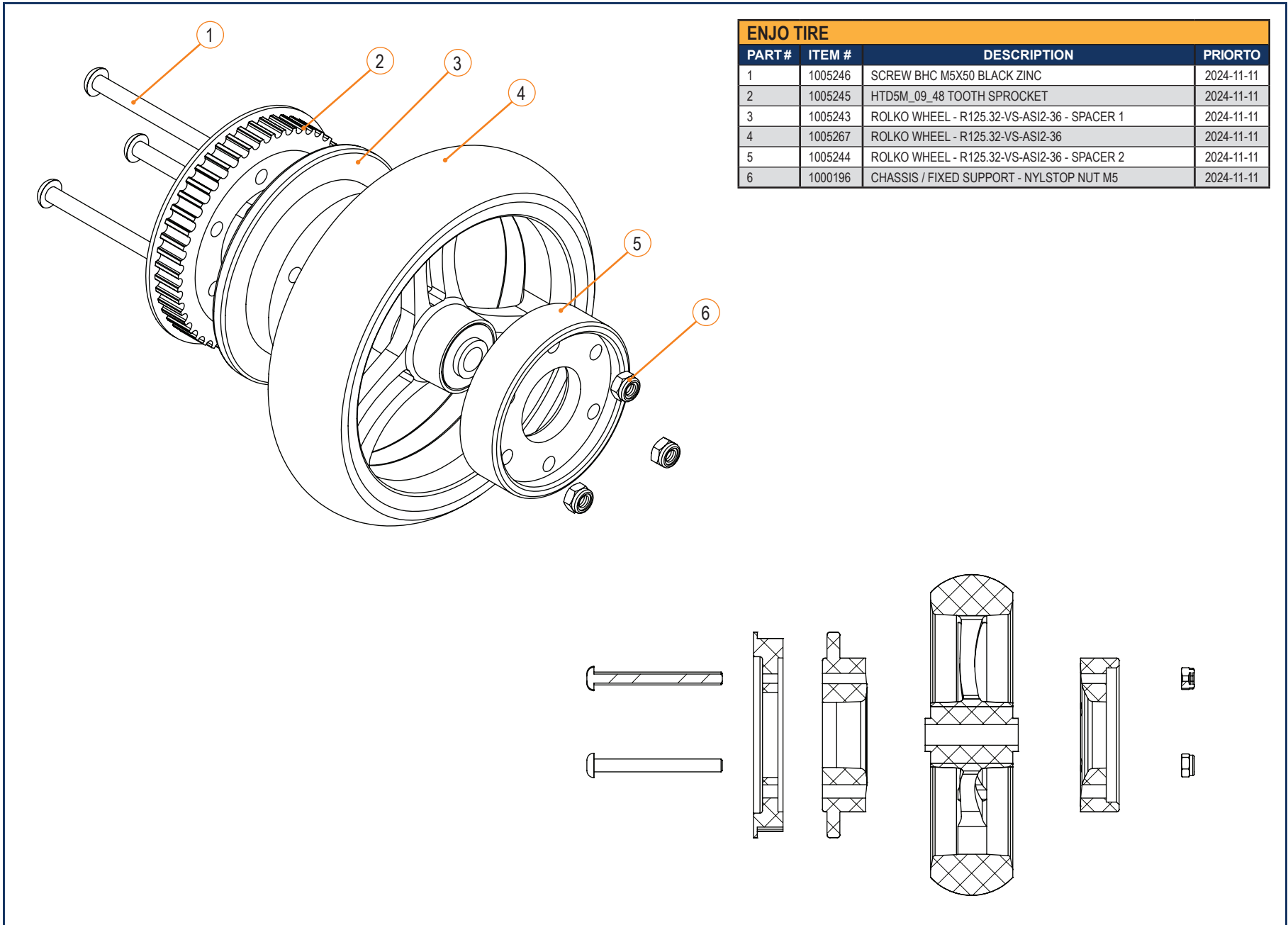
ENJO			
PART #	ITEM #	DESCRIPTION	PRIORTO
1	1005227	ENJO - ASSEMBLED WHEEL	2024-11-11
2	1005232	TRANSMISSION BELT, PITCH 5MM, WIDE 9MM, LONG 325MM	2024-11-11
3	1005234	HTD5M_09_12 TOOTHED GEAR, ENJO	2024-11-11
4	1005254	SCREW TF TORX ISO 14581 M8X90 INOX A2	2024-11-11
5	1005242	METAL SCREWS, TF TORX ISO 14581 M5X70 INOX A2	2024-11-11
6	1005228	ENJO - ASSEMBLED TENSIONER	2024-11-11

ENJO - SECTION 10.1.2



CONTROL BOX ENJO			
PART #	ITEM #	DESCRIPTION	PRIORTO
1-11A	1005142	RIGHT HANDED CONTROL BOX, ENJO	2024-11-11
1-11B	1005143	LEFT HANDED CONTROL BOX, ENJO	2024-11-11

ENJO - SECTION 10.1.2



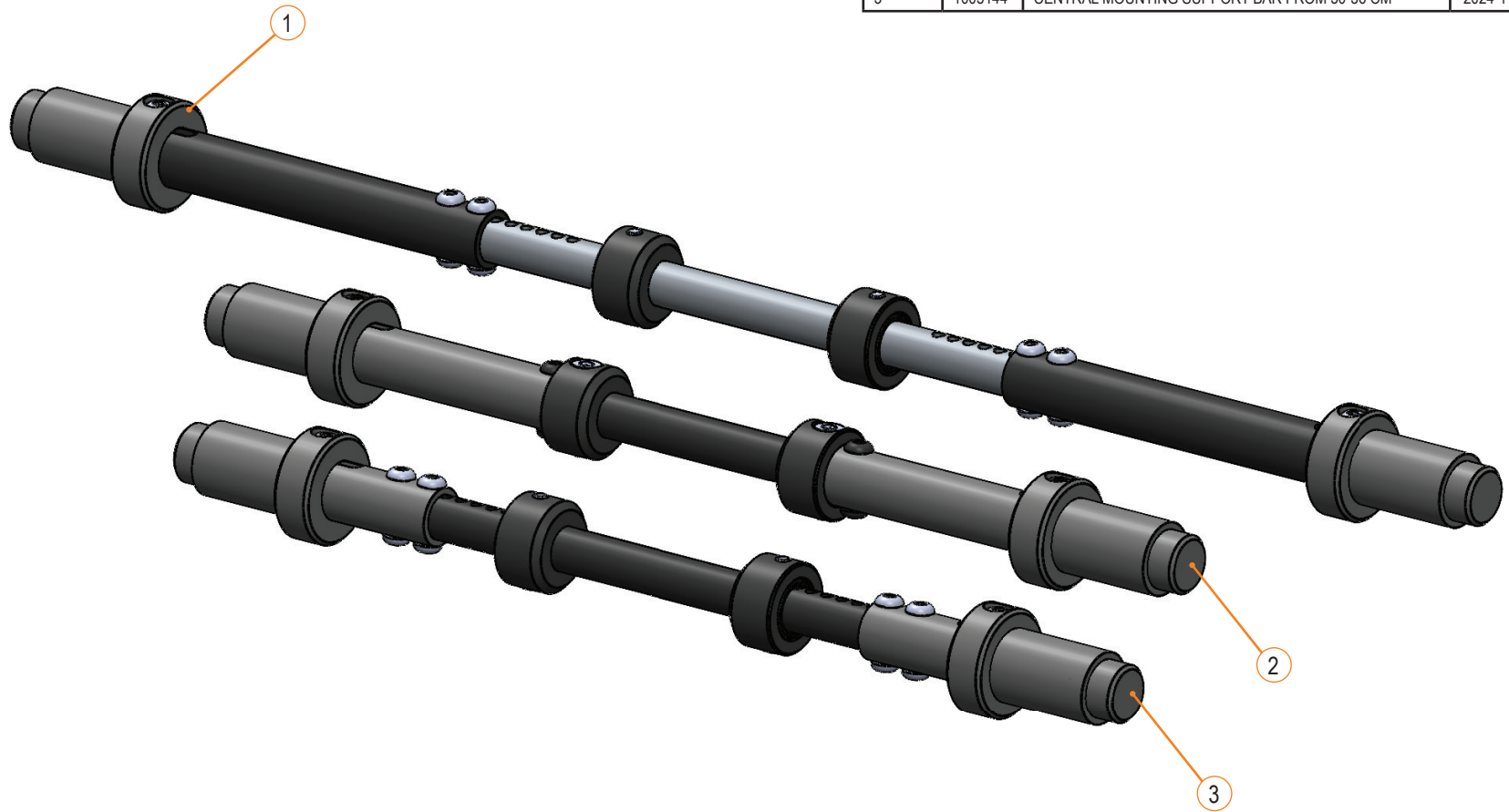
ENJO TIRE			
PART #	ITEM #	DESCRIPTION	PRIORTO
1	1005246	SCREW BHC M5X50 BLACK ZINC	2024-11-11
2	1005245	HTD5M_09_48 TOOTH SPROCKET	2024-11-11
3	1005243	ROLKO WHEEL - R125.32-VS-ASI2-36 - SPACER 1	2024-11-11
4	1005267	ROLKO WHEEL - R125.32-VS-ASI2-36	2024-11-11
5	1005244	ROLKO WHEEL - R125.32-VS-ASI2-36 - SPACER 2	2024-11-11
6	1000196	CHASSIS / FIXED SUPPORT - NYLSTOP NUT M5	2024-11-11

CASE AND STRAPS FOR ENJO			
PART #	ITEM #	DESCRIPTION	PRIORTO
1	1005218	CASE FOR ENJO	2024-11-11
2	1005236	ENJO - NOSE LOCKING STRAP	2024-11-11
3	1005237	ENJO - SAFETY STRAP	2024-11-11



ENJO - SECTION 10.1.2

MOUNT FOR ENJO			
PART #	ITEM #	DESCRIPTION	PRIORTO
1	1005146	CENTRAL MOUNTING SUPPORT BAR FROM 48-60 CM	2024-11-11
2	1005145	CENTRAL MOUNTING SUPPORT BAR FROM 36-48 CM	2024-11-11
3	1005144	CENTRAL MOUNTING SUPPORT BAR FROM 30-36 CM	2024-11-11



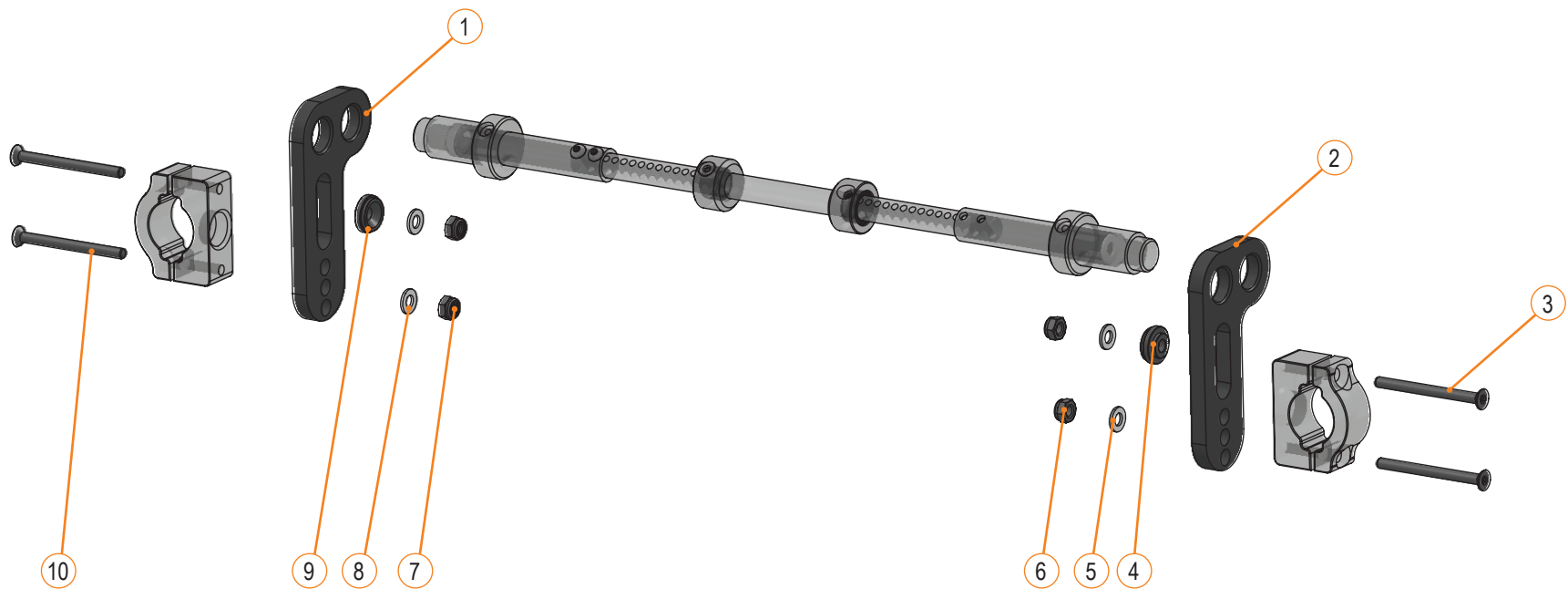
ENJO - SECTION 10.1.2

MOUNT FOR ENJO			
PART #	ITEM #	DESCRIPTION	PRIORTO
1	1005223	PACK R, ENJO	2024-11-11

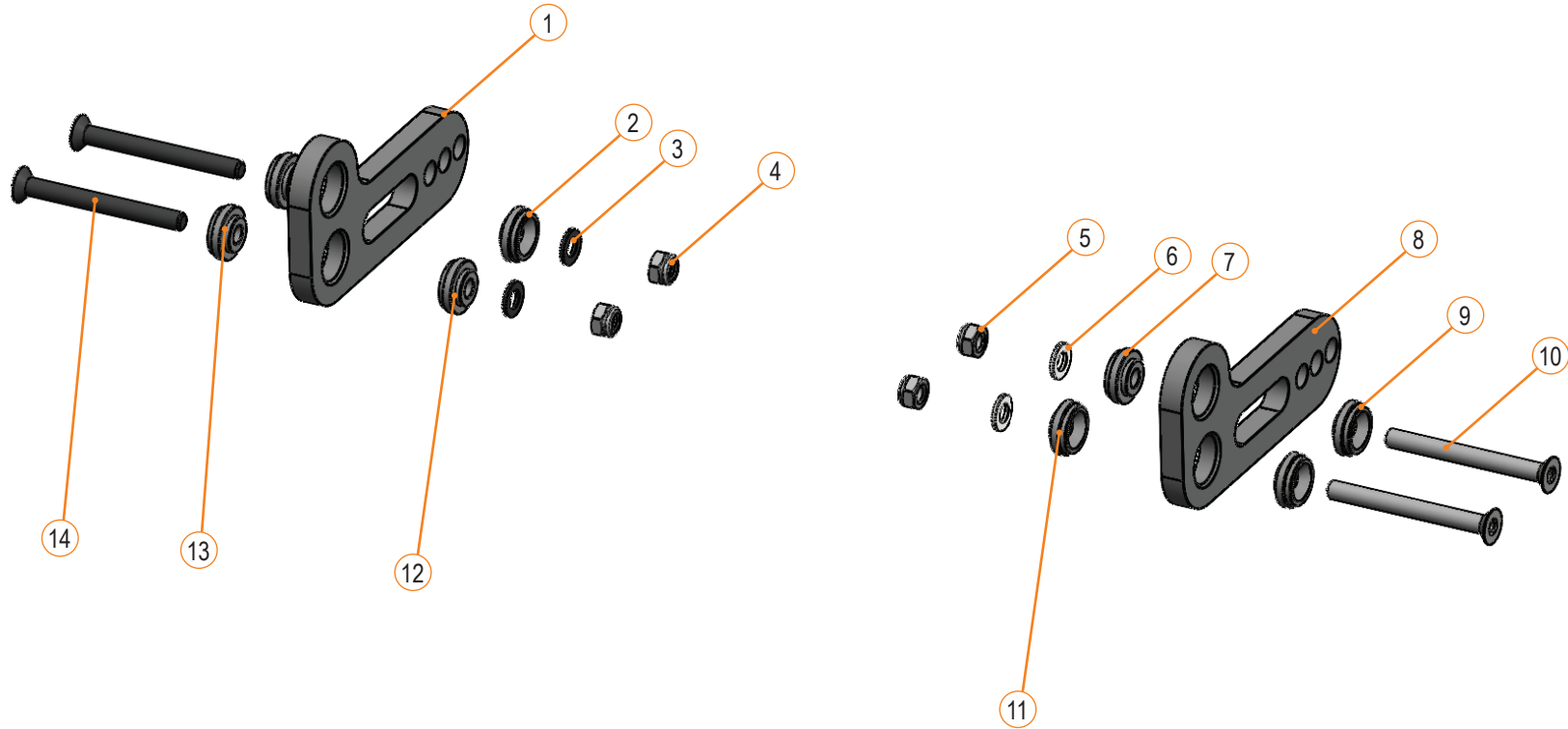


ENJO - SECTION 10.1.2

MOUNT FOR ENJO			
PART #	ITEM #	DESCRIPTION	PRIORTO
1-10	1005148	SIDE EXTENSION, L PART	2024-11-11

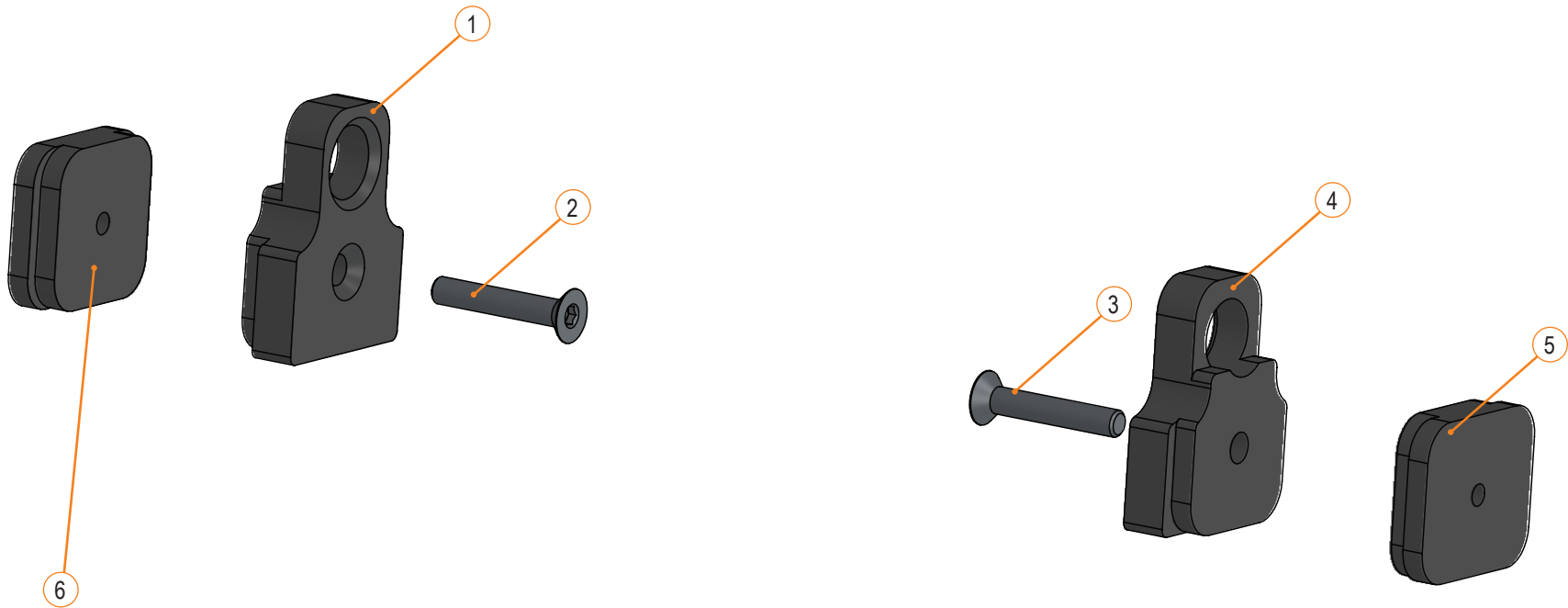


MOUNT FOR ENJO			
PART #	ITEM #	DESCRIPTION	PRIORTO
1-14	1005221	SIDE BRACKETS FOR INVACARE AZALEA	2024-11-11



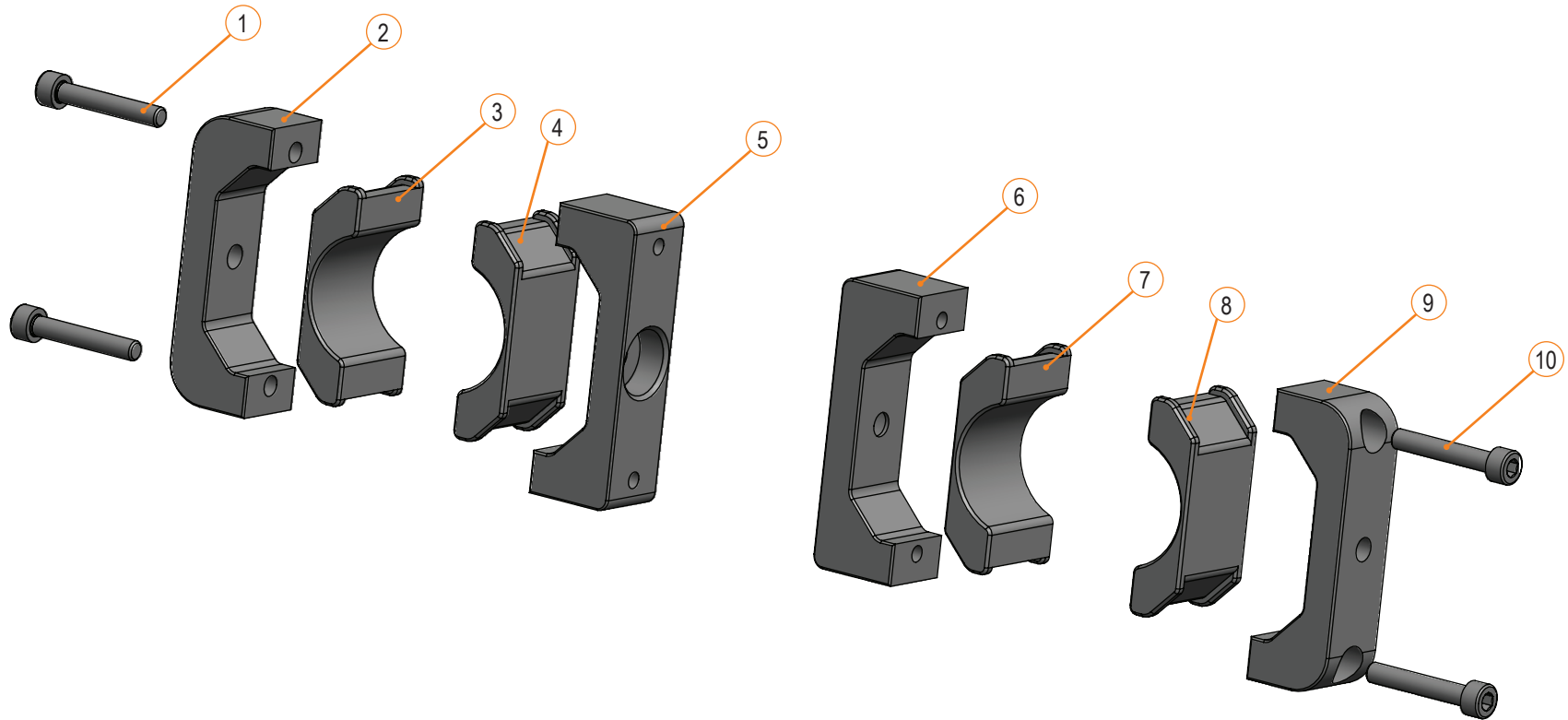
ENJO - SECTION 10.1.2

MOUNT FOR ENJO			
PART #	ITEM #	DESCRIPTION	PRIORTO
1-6	1005222	SIDE BRACKETS FOR ETAC KI MOBILITY	2024-11-11



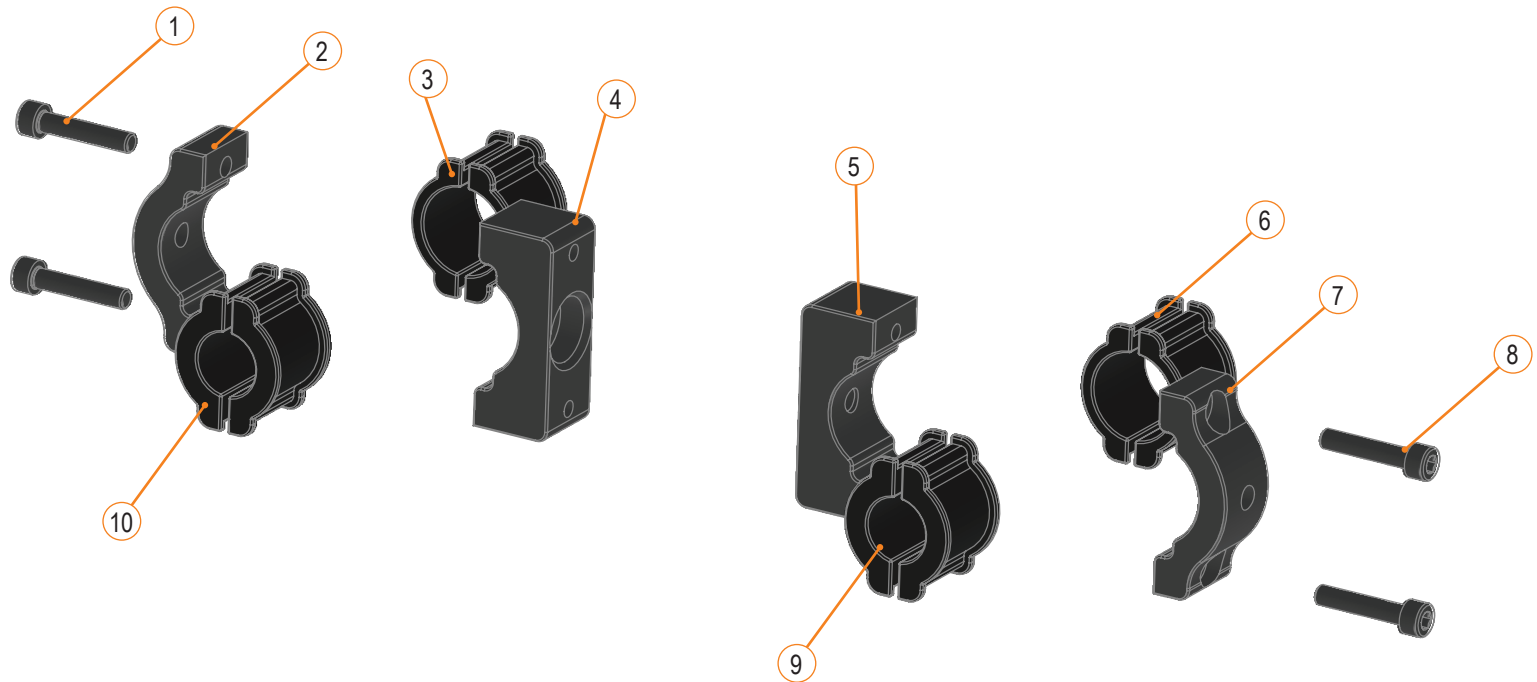
ENJO - SECTION 10.1.2

MOUNT FOR ENJO			
PART #	ITEM #	DESCRIPTION	PRIORTO
1-10	1005220	SIDE BRACKETS FOR OVAL TUBE	2024-11-11

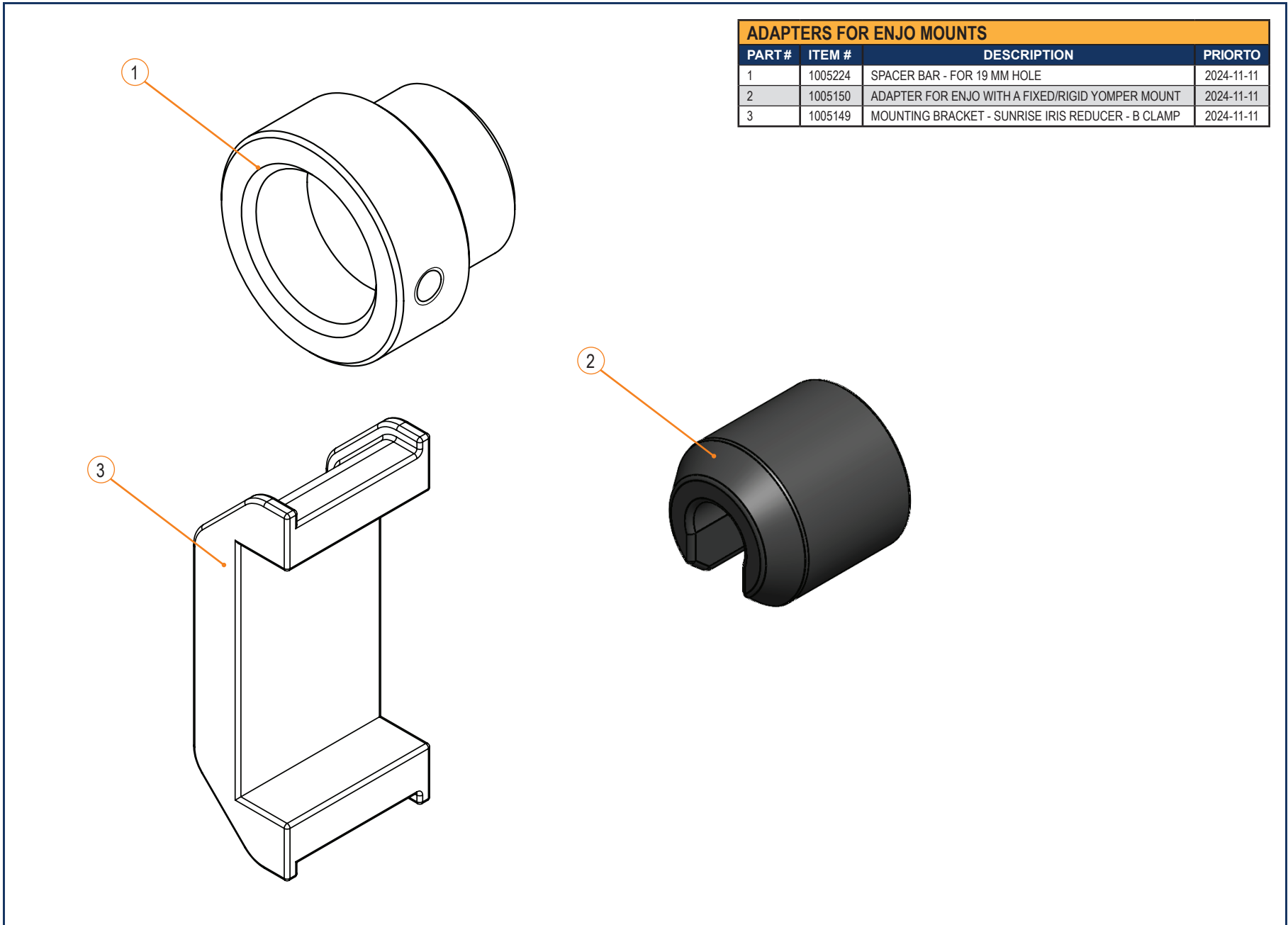


ENJO - SECTION 10.1.2

MOUNT FOR ENJO			
PART #	ITEM #	DESCRIPTION	PRIORTO
1-10	1005147	SIDE BRACKETS FOR < 25MM TUBE	2024-11-11



ENJO - SECTION 10.1.2



ADAPTERS FOR ENJO MOUNTS			
PART #	ITEM #	DESCRIPTION	PRIORTO
1	1005224	SPACER BAR - FOR 19 MM HOLE	2024-11-11
2	1005150	ADAPTER FOR ENJO WITH A FIXED/RIGID YOMPER MOUNT	2024-11-11
3	1005149	MOUNTING BRACKET - SUNRISE IRIS REDUCER - B CLAMP	2024-11-11