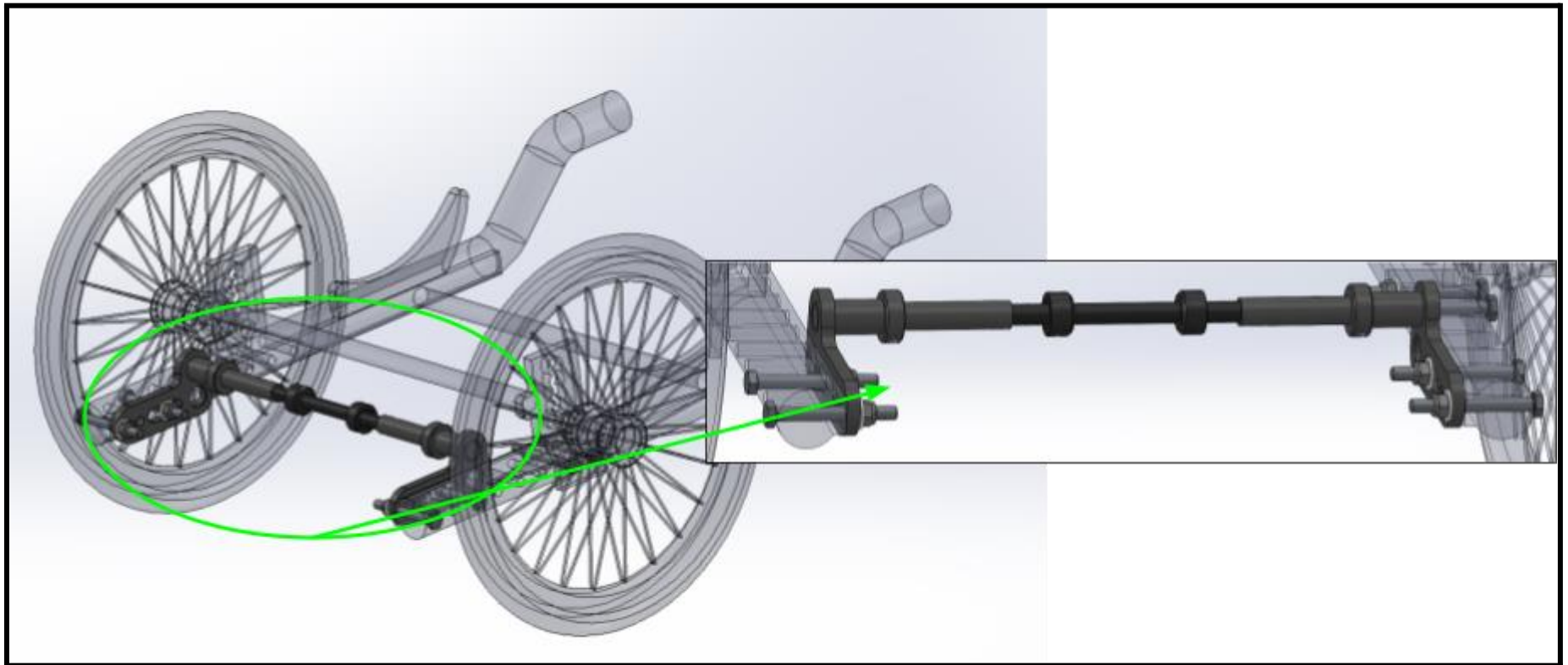


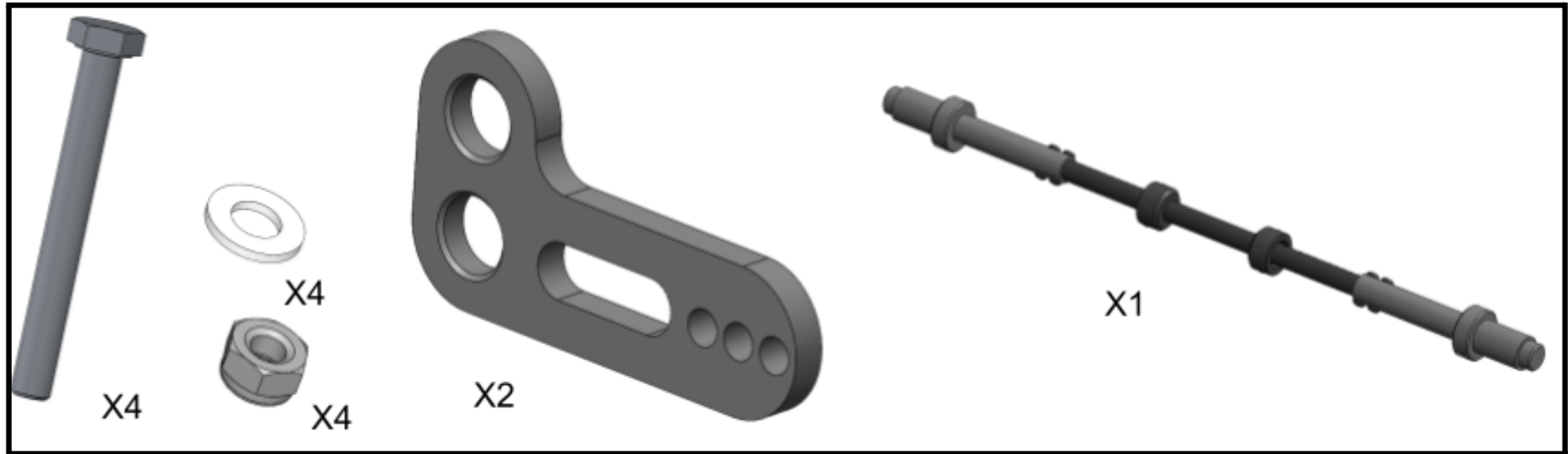
INSTRUCTION GUIDE

ENJC

Document Focus CR

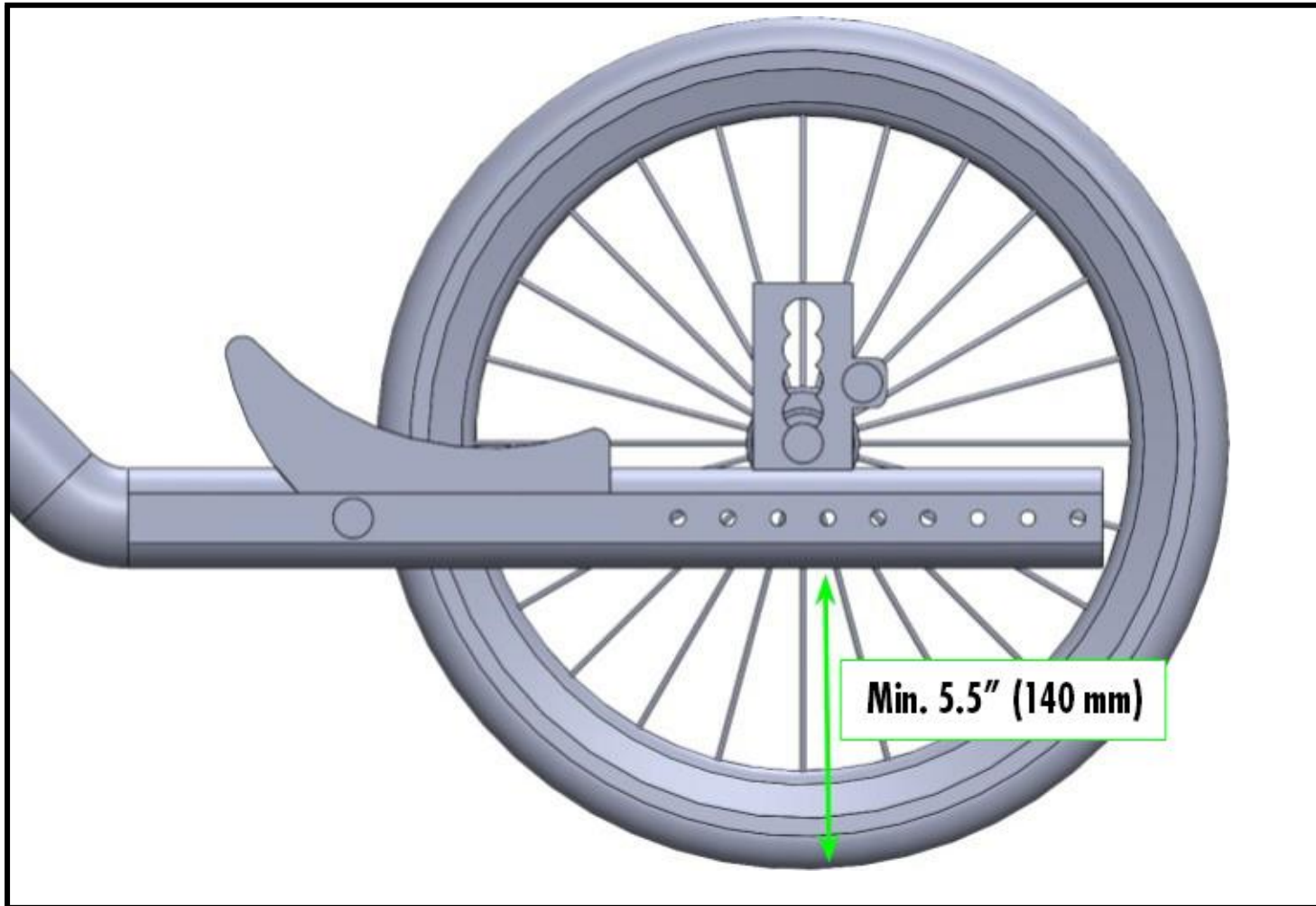


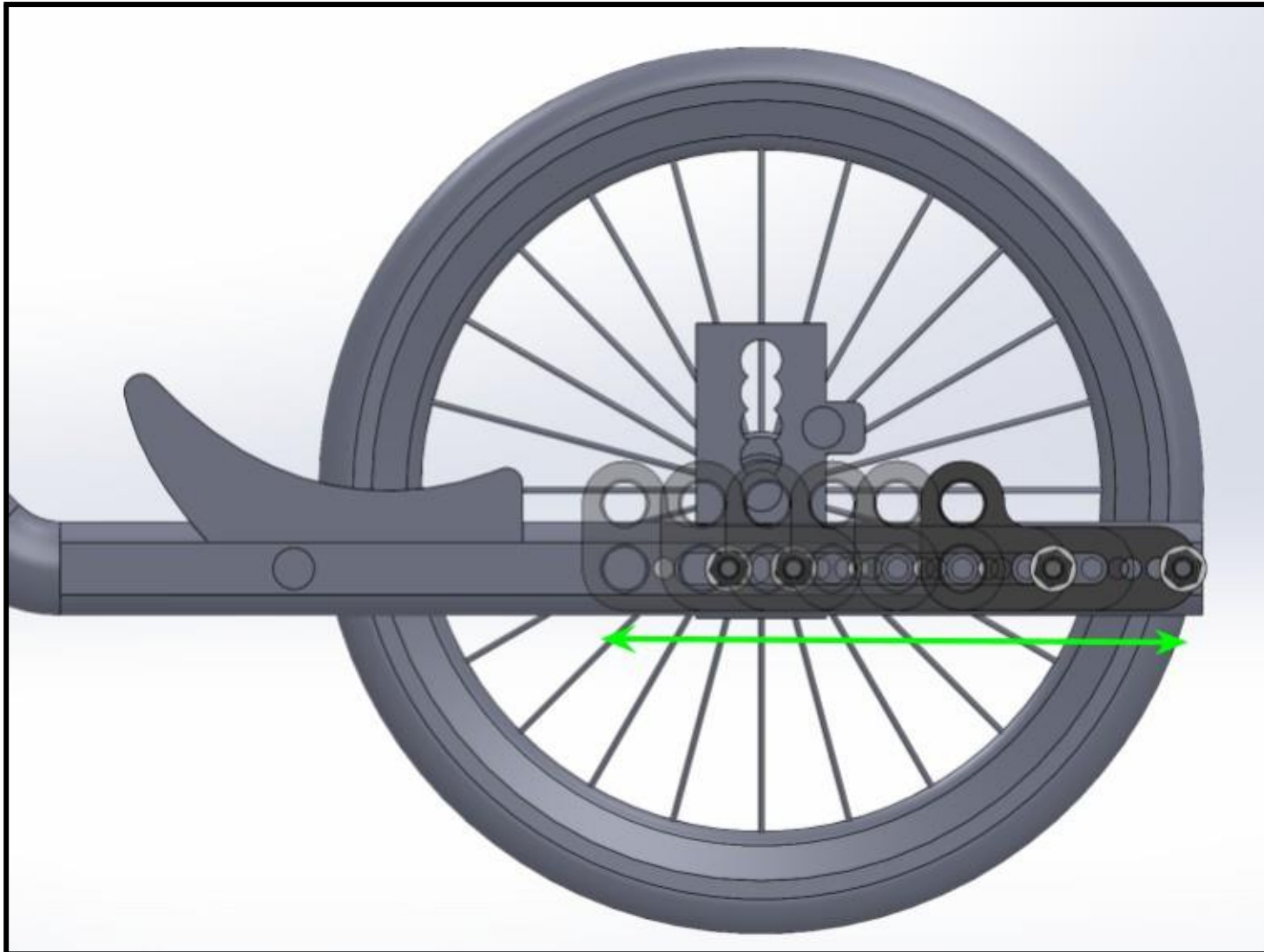
COMPONENTS

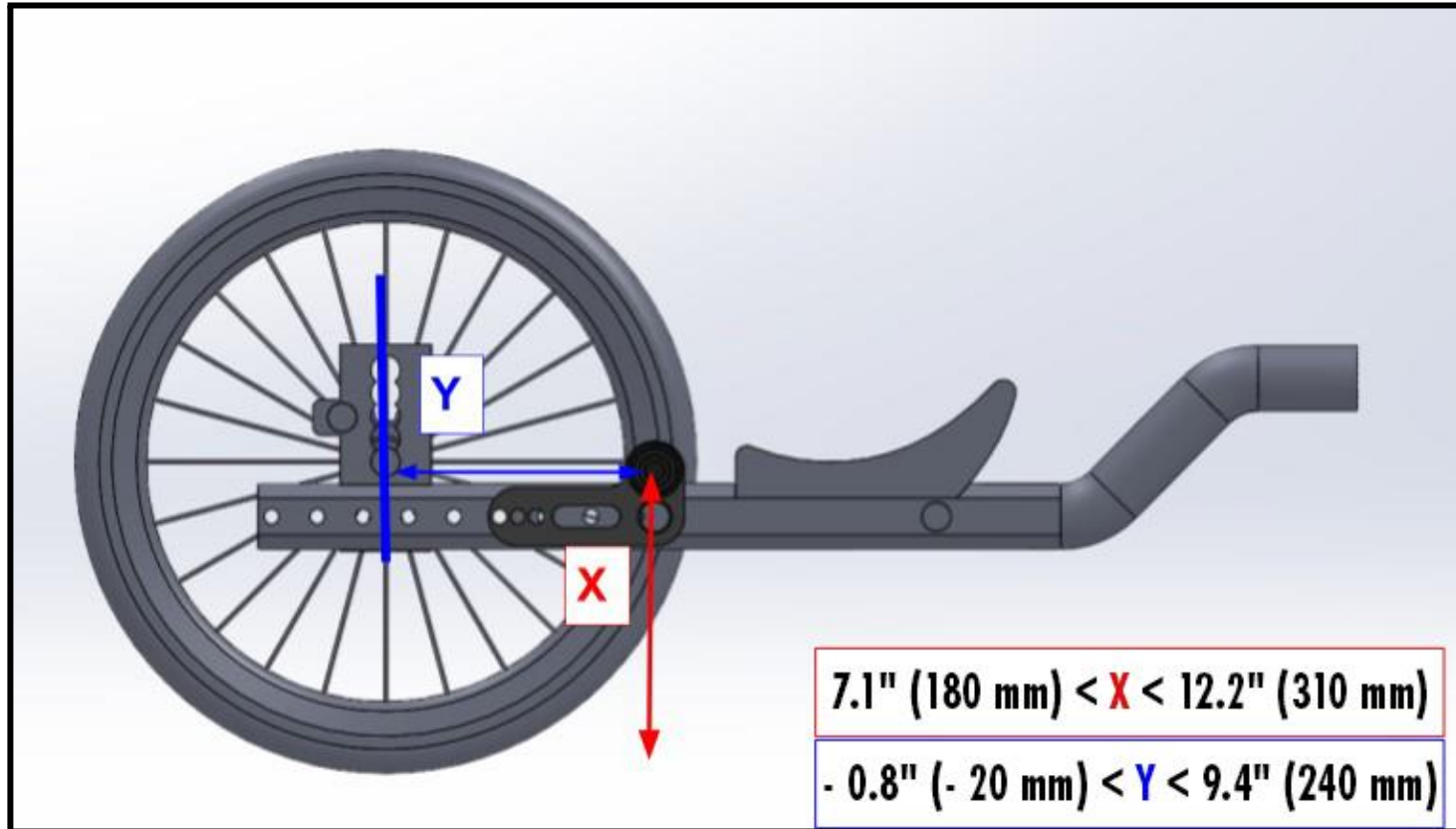


TOOLS









X & Y =

X inches (mm)	Y inches (mm)																												
	- 0.8" (- 20)	- 0.4" (- 10)	0	0.4" (10)	0.8" (20)	1.2" (30)	1.6" (40)	2" (50)	2.4" (60)	2.7" (70)	3.1" (80)	3.5" (90)	3.9" (100)	4.3" (110)	4.7" (120)	5.1" (130)	5.5" (140)	5.9" (150)	6.3" (160)	6.7" (170)	7.1" (180)	7.5" (190)	7.9" (200)	8.3" (210)	8.7" (220)	9" (230)	9.5" (240)		
12.2" (310)	X	X	X	X	X																				X	X	X	X	
11.8" (300)	X	X	X	X																							X	X	X
11.4" (290)	X	X	X	X																									X
11" (280)	X	X	X																										
10.6" (270)	X	X	X																										
10.2" (260)	X	X																											X
9.8" (250)	X	X																											X
9.5" (240)	X																												X
9" (230)	X																												X
8.7" (220)																													X
8.3" (210)																													X
7.9" (200)	X																												X
7.5" (190)	X	X																											X
7.2" (182)	X	X	X																										X



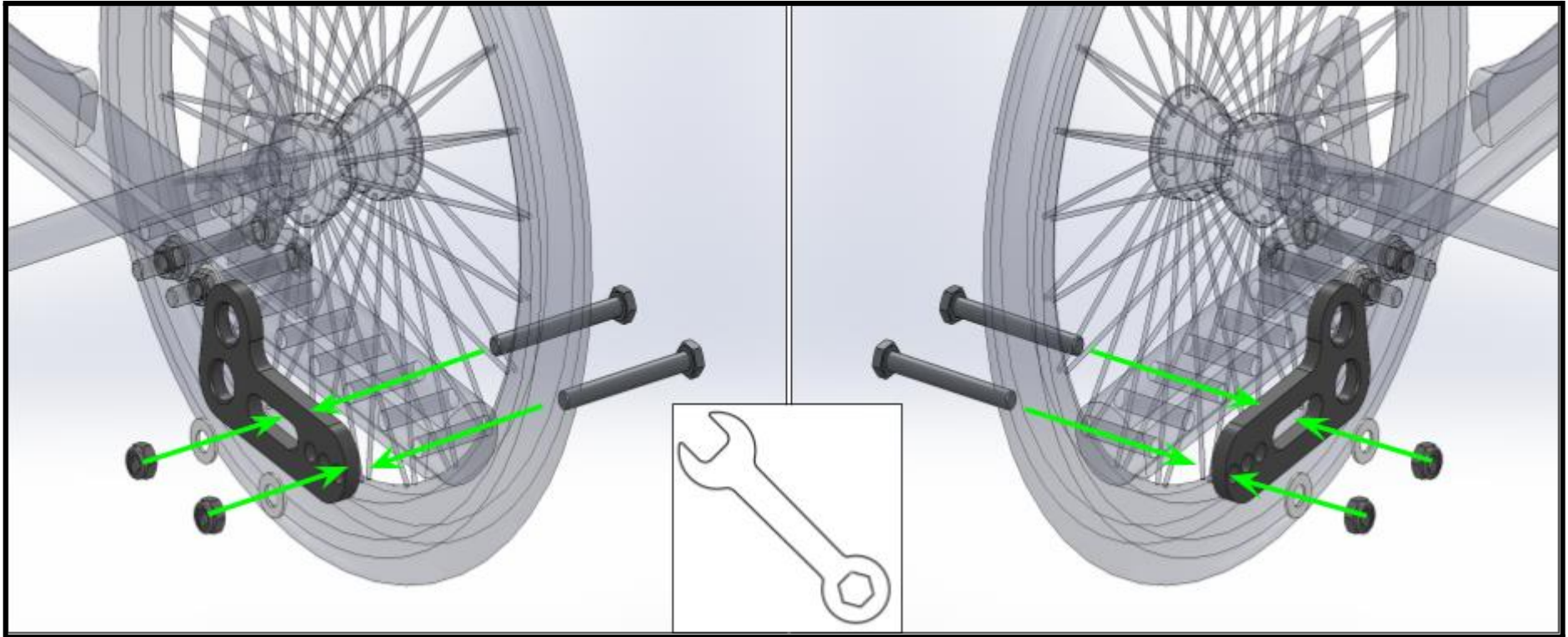
OK

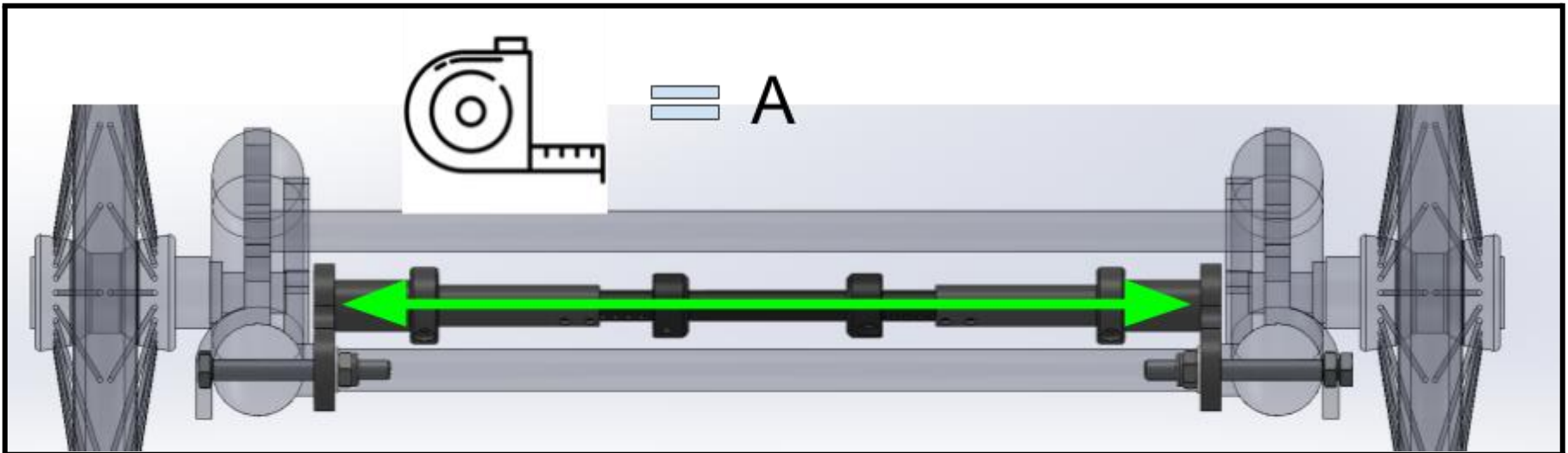
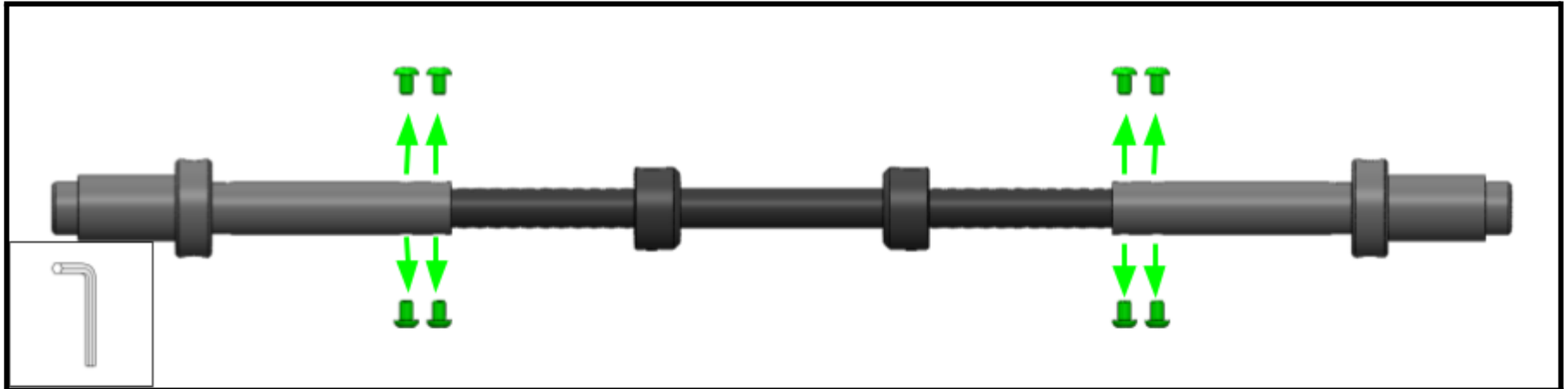


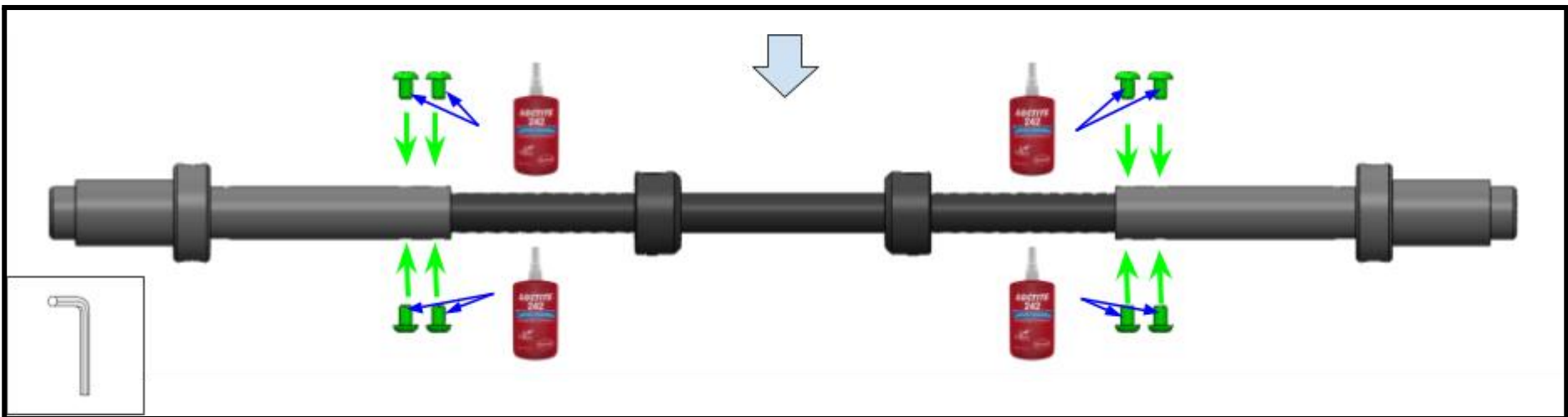
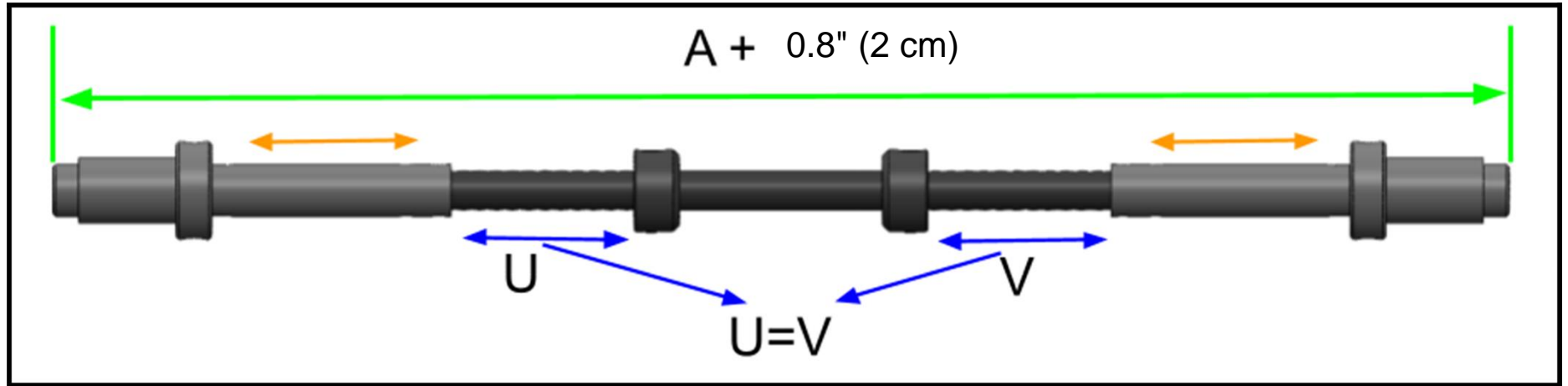
GOOD

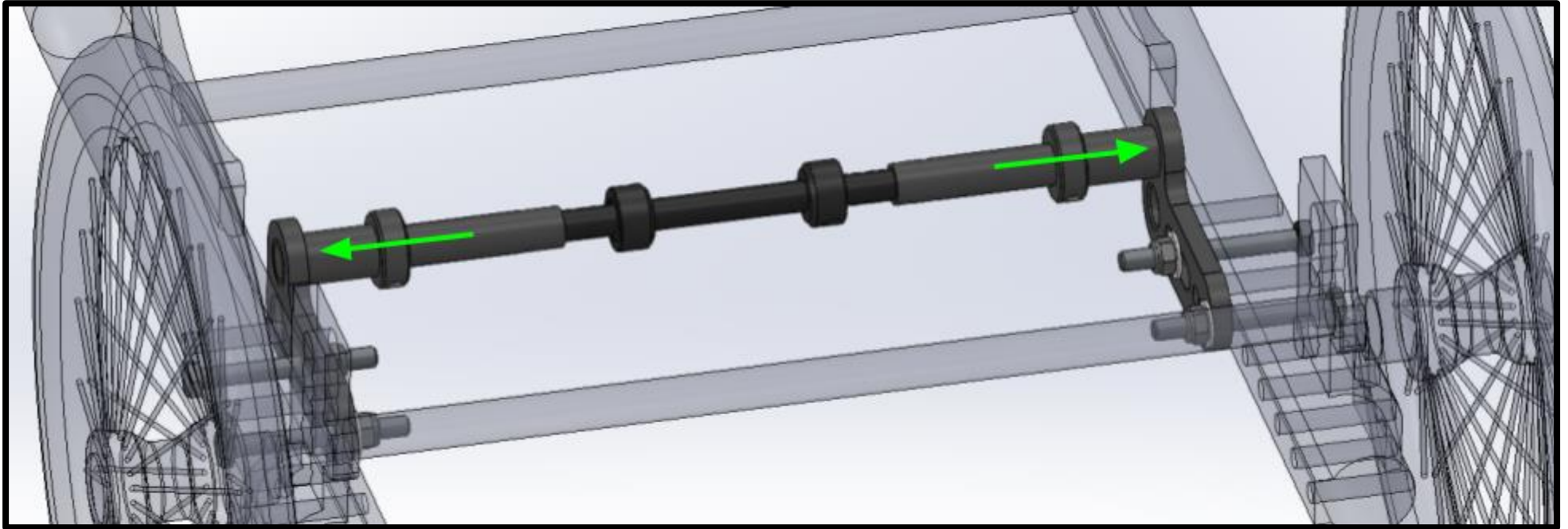


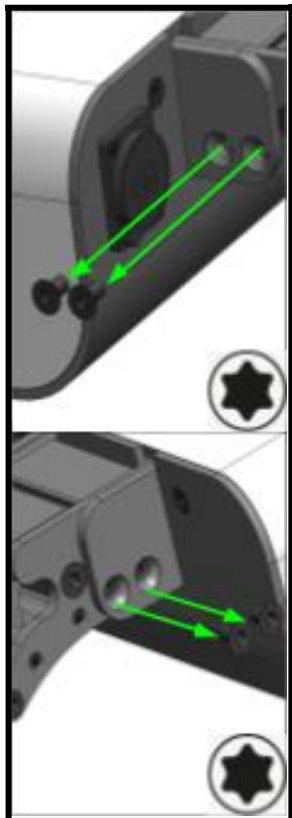
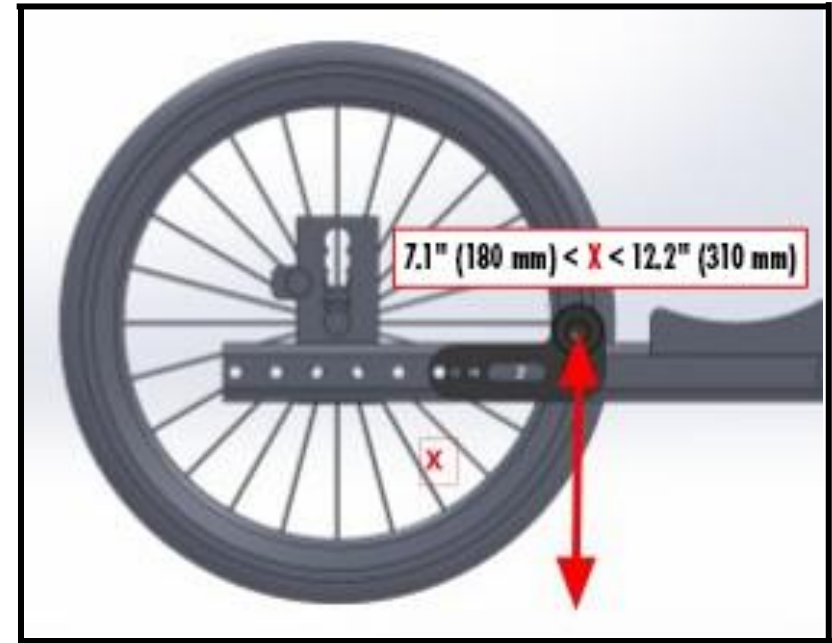
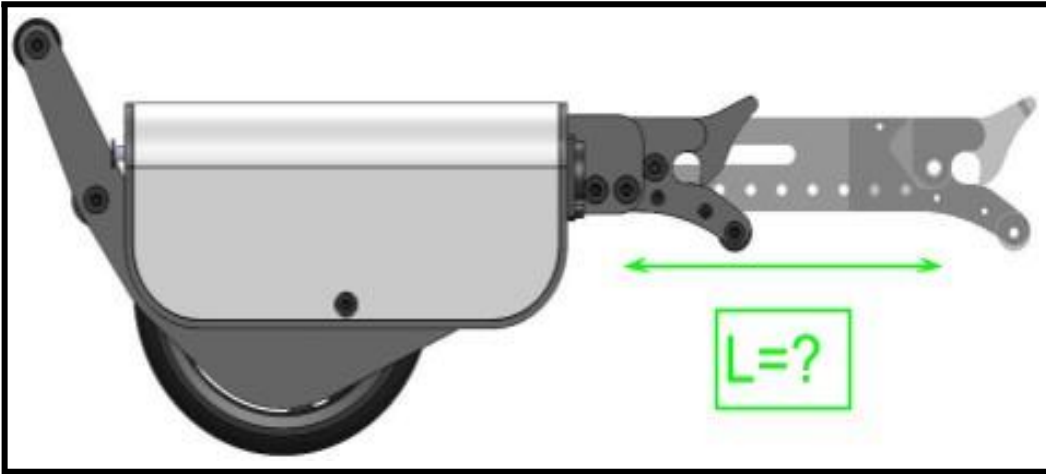
OPTIMAL











X	L
12.2" (310 mm)	9
11.8" (300 mm)	9
11.4" (290 mm)	8
11" (280 mm)	8
10.6" (270 mm)	7
10.2" (260 mm)	6
9.8" (250 mm)	5
9.5" (240 mm)	4
9" (230 mm)	3
8.7" (220 mm)	2
8.3" (210 mm)	2
7.9" (200 mm)	1
7.5" (190 mm)	0
7.2" (182 mm)	0

