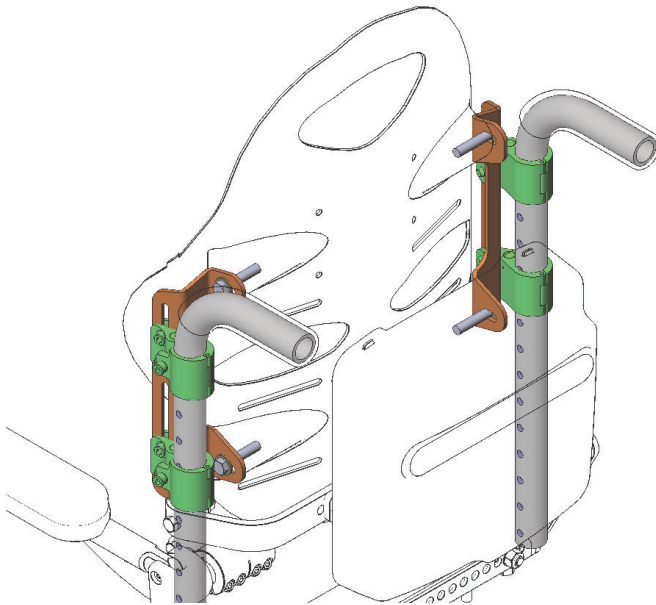


# AMYLIOR

## CANE MOUNTED INTERFACE KIT

FOR **MATRIX® ELITE BACKS**  
(ELITE & ELITE-HD MODELS)



## INSTALLATION/SET-UP

**i IMPORTANT!** The installation instructions contained in this manual must only be carried out by a qualified service technician.

*This manual may not be reproduced or reprinted either partly or completely without previous written consent from Motion Concepts or its statutory representatives.*

*This user manual is compiled from the latest specifications and product information available at the time of publication. We reserve the right to make any necessary as they become necessary. Any changes made to our products may cause slight variations between the illustrations and explanations in this manual and the product you have purchased. If you have any questions or concerns regarding the information provided in this manual, please contact our Customer Service Department for assistance.*


Motion Concepts LP Copyright © 2023


# 1.0 GENERAL WARNINGS/INFORMATION


## 1.1 OVERVIEW

### SAFETY SYMBOLS:

Proper set-up and safe installation of the Amylior Interface Mounting Kit depends on your own good judgement and common sense, as well as that of your provider, caregiver and/or health professional. The following symbols are used throughout this user manual to identify warnings, cautions and important notes. It is very important that you read and understand them completely.

 **CAUTION!** Failure to heed the cautions in this manual may result in damage to your Matrx Seating product.

 **WARNING!** Failure to heed the warnings in this manual may result in death, serious injury or damage.


 **IMPORTANT!** Important information to remember during installation, set-up and/or adjustment of you Matrx Seating product.

### **USER WARNING!**

Improper use of this product may cause injury or damage. DO NOT use this product or any available optional equipment without first completely reading and understanding these instructions and any additional instructional material such as user manual, service manuals or instruction sheets supplied with this product or optional equipment. If you are unable to understand the warnings, cautions or instructions, contact a health care professional or dealer before attempting to use this equipment.

### **IMPORTANT INFORMATION**

The best way to avoid problems related to pressure injuries is to understand their causes and your role in a skin management program. Your therapist and physician should be consulted if you have questions regarding individual limitations and needs. All back supports should be selected carefully. Working with your therapist and physician is the best way to assure that a cushion choice matches your individual needs. As the needs of the individual become more complex, the evaluation becomes more important.

 **IMPORTANT!** Please refer to the Amylior Wheelchair Owners/Operators Manual for additional safety information, warnings and cautions related to the operation of your wheelchair.

## 1.2 INTENDED USE

Our Matrx<sup>®</sup> Elite backs are intended to provide back support for a wide variety of wheelchair users. It is designed to allow precise orientation within a wheelchair to ensure optimal postural support and positioning.

## 2.0 SAFETY INFORMATION

### 2.1 TRANSPORTATION WARNINGS!

**⚠ WARNING!** Risk of serious injury when transporting the client within a wheelchair fitted with a Matrx® Elite Back in a motor vehicle.

- It is Motion Concepts position that, whenever feasible, the wheelchair user should be transferred out of the wheelchair into the vehicle seat during travel and use the vehicle-manufacturer-installed restraint system, or an appropriate child safety seat. The unoccupied wheelchair (mobility device) should be stored in a cargo area and/or safely secured in the vehicle during travel.

**i IMPORTANT!** If the wheelchair and Matrx® Elite Back is transported unoccupied, the wheelchair should be secured/anchored to the vehicle an approved tie-down system according to the manufacturer's instructions. If the wheelchair is dismantled for transportation, ensure that all parts are secured safely within the vehicle.

### TRANSPORTING THE CLIENT IN A MOTOR VEHICLE WITHIN A WHEELCHAIR

**i IMPORTANT!** For transportation warnings, guidelines and safety information on wheelchair seating combinations tested and approved for occupied transport within a motor vehicle, please refer to the OEM Wheelchair Owners Manual (provided separately) or contact Amylior for further assistance.

**Customer Service:** 1-888 453-0311 [www.amylior.com](http://www.amylior.com)

---

### 2.2 GENERAL SAFETY AND INSTALLATION WARNINGS!

**⚠ WARNING!** Risk of Death, Serious Injury, or Damage

Lighted cigarettes dropped onto an upholstered seating system can cause a fire resulting in death, serious injury or damage. Wheelchair occupants are at particular risk of death or serious injury from these fires and resulting fumes because they may not have the ability to move away from the wheelchair.

- DO NOT smoke while using this wheelchair

**⚠ WARNING!** Risk of Serious Injury or Damage

- The procedures in this manual should be performed by a qualified technician
- The hardware provided is high strength and tested for durability. **Do Not substitute hardware.** Use only the original hardware supplied with your Matrx back
- Attaching hardware that is loosely secured could cause loss of stability resulting in serious injury or damage.
- After ANY adjustments, repair or service and before use, make sure that all attaching hardware is tightened securely.
- DO NOT install the Matrx® back/hardware onto back canes with an outside diameter greater than 1" (25mm) or less than 3/4" (19mm). Otherwise, injury or damage may occur.

## 2.0 SAFETY INFORMATION

### **⚠ WARNING! Risk of Serious Injury**

When establishing the mounting position for the Matrx® back, ensure the stability of the wheelchair is not compromised. Adjusting the forward and aft position and/or angle of the backrest will alter the user's center of gravity within the wheelchair. It may be necessary to reposition the front casters, rear wheels, back angle, tilt-in-space, recline position and/or seat depth before use.

### **⚠ WARNING! Risk of Injury**

Matrx® products are specifically designed and manufactured for use in conjunction with Matrx® accessories. Accessories designed by other manufacturers have not been tested by Motion Concepts and are not recommended.

### **⚠ WARNING Risk of Injury**

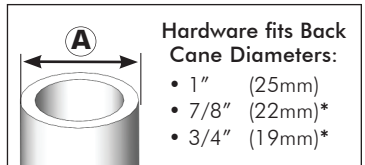
Skin condition should be checked very frequently after the installation of any new seating system. Working with you therapist, physician and service provider is the best way to assure that a seating choice meets your individual needs.

## 3.0 AMYLOR-ELITE BACK INTERFACE KIT INSTALLATION

### 3.1 FITTING THE ELITE BACK TO THE AMYLOR WHEELCHAIR:

PRIOR to installation, verify the diameter of the wheelchair back canes (A) and the width between back canes (B)

Model #	Description	Contour Depth	Weight Capacity
PBEwwhh	Elite Back	3in (8cm)	300lb (136kg)
PBEwwhh-HD	Elite HD Back	3in (8cm)	500lb (227kg)

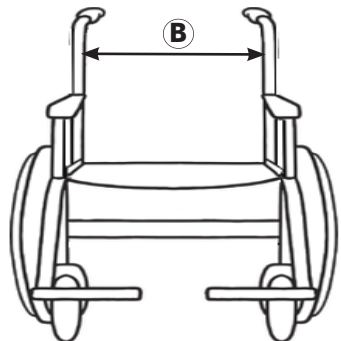


\*wwhh = width/height

\*requires cane inserts (provided)

Elite Back Width	Fits Back Cane Width (B)
14in (36cm)	14in (36cm)
15in (38cm)	15in (38cm)
16in (41cm)	16in (41cm)
17in (43cm)	17in (43cm)
18in (46cm)	18in (46cm)
19in (48cm)	19in (48cm)
20in (51cm)	20in (51cm)

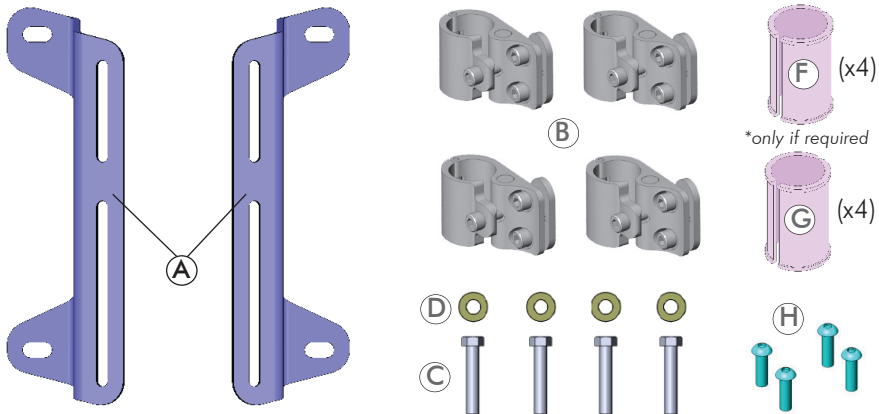
Elite HD Back Width	Fits Back Cane Width (B)
21in (53cm)	21in (53cm)
22in (56cm)	22in (56cm)
23in (58cm)	23in (58cm)
24in (61cm)	24in (61cm)



## 3.0 AMYLIOR-ELITE BACK INTERFACE KIT INSTALLATION

### 3.2 AMYLIOR CANE MOUNTED INTERFACE KITS

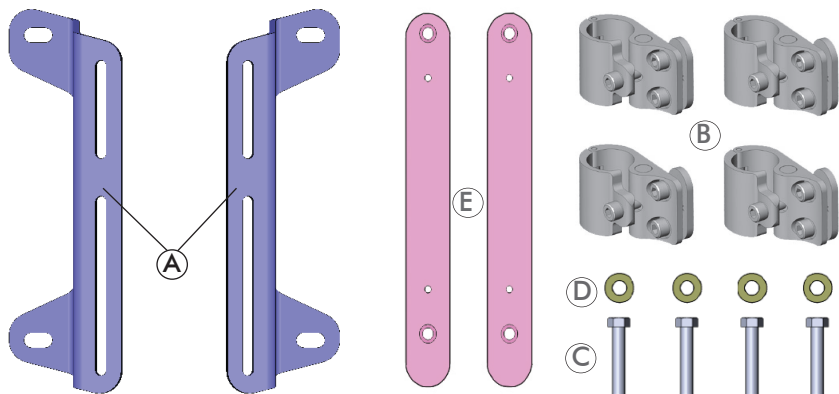
#### 3.2.1 CANE MOUNTED INTERFACE KIT for ELITE BACKS



#### ELITE CANE MOUNTED INTERFACE KIT

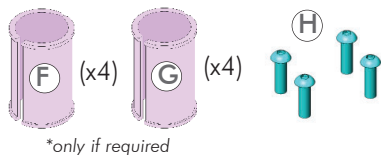
- |                                     |  |
|-------------------------------------|--|
| 2 - Amylior-E2 Mounting Bracket (A) | 4 - Cane Insert for 7/8" (22mm) back canes* (E)      |
| 4 - MiniSet Cane Clamp Assembly (B) | 4 - Cane Insert for 3/4" (19mm) back canes* (F)      |
| 4 - Mounting Screws (C)             | 4 - (Optional) Button Head Clamp Mounting Screws (H) |
| 4 - Washers (D)                     |  |

#### 3.2.2 CANE MOUNTED INTERFACE KIT for ELITE HEAVY-DUTY BACKS



#### ELITE-HD CANE MOUNTED INTERFACE KIT

- |                                     |  |
|-------------------------------------|--|
| 2 - Amylior-E2 Mounting Bracket (A) | 4 - Cane Insert for 7/8" (22mm) back canes* (F)      |
| 4 - MiniSet Cane Clamp Assembly (B) | 4 - Cane Insert for 3/4" (19mm) back canes* (G)      |
| 4 - Mounting Screws (C)             | 4 - (Optional) Button Head Clamp Mounting Screws (H) |
| 4 - Washers (D)                     |  |
| 2 - Backing Plates (E)              |  |



\*only if required

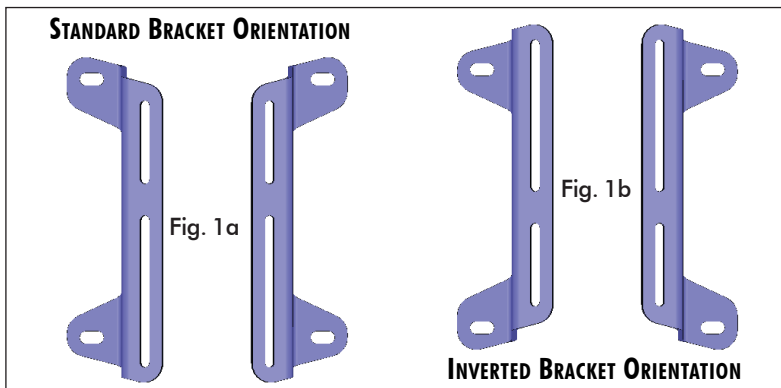
**i** **NOTE:** If any of the supplied hardware is missing or misplaced, please contact your local Service Provider to obtain the necessary replacements.

### 3.3 AMYLOR-ELITE MOUNTING BRACKET INSTALLATION

#### 3.3.1 INSTALLING THE MOUNTING BRACKETS:

**i** **NOTE:** The **Matrix Elite** and **Elite Heavy-Duty (HD)** Backs utilize the identical mounting brackets and hardware, with the exception of 2 additional backing plates required on the Elite-HD Back. Installation instructions are provided for each back model. Please refer to the appropriate section below to complete the back installation.

**i** **NOTE:** The Amylor-Elite Mounting Brackets may be installed in a **standard** or **inverted** orientation (see **Fig 1a/1b**), depending on the final desired back height and/or to provide clearance for other cane mounted accessories. Minor fine-tune back height adjustments will be available following installation in either configuration (refer to **Section 3.5**), however, it is recommended that the appropriate mounting bracket orientation be determined **PRIOR** to installation.



#### I. Mounting Bracket Installation - ELITE Backs: (refer to Fig. 1a/1b and Fig 2)

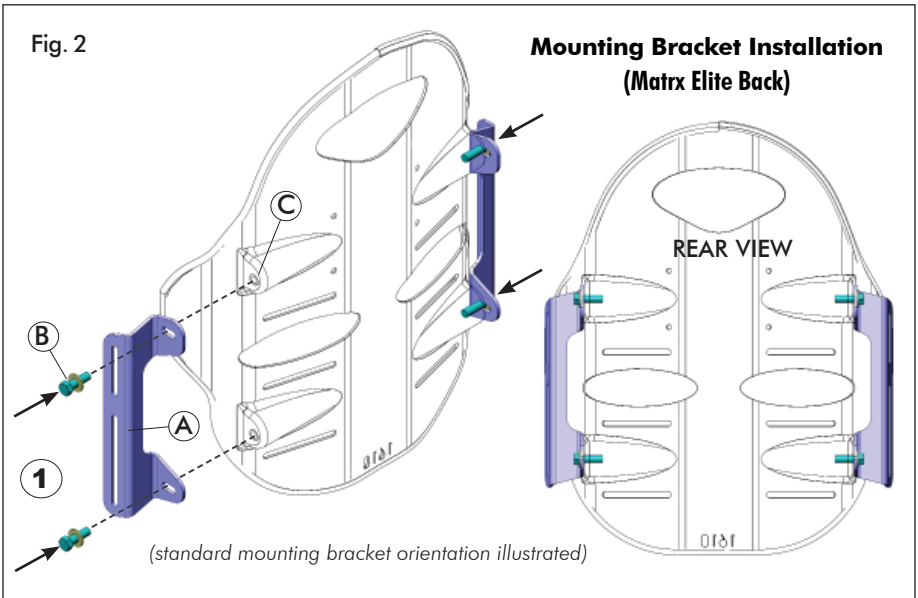
1. Determine the desired orientation of the mounting brackets (per **Fig. 1a/1b** above).
2. Working on one side of the back shell at a time, align the upper and lower mounting holes on mounting bracket (**A**) with the corresponding threaded inserts (welded cups) on the Elite Back shell (**C**).
3. Install the upper and lower mounting screws (**B**) (with washers) through the mounting bracket, into the threaded inserts on the back shell (**1**). Ensure both screws are fully secured.
4. Repeat steps 2. and 3. to install the Amylor-Elite mounting bracket onto the opposite side of the back shell.

(\***NOTE:** the Amylor-Elite Mounting Brackets (Interface Kits) are designed for installation onto wheelchair back canes that are the same nominal width as the Elite back shell. For installation onto back canes up to 1" wider than the nominal back width, a separate **Hardware/Spacer Kit (TRC1688)** is required (sold separately)).

### 3.3 AMYLIOR-ELITE MOUNTING BRACKET INSTALLATION

#### 3.3.1 INSTALLING THE MOUNTING BRACKETS: (...cont'd)

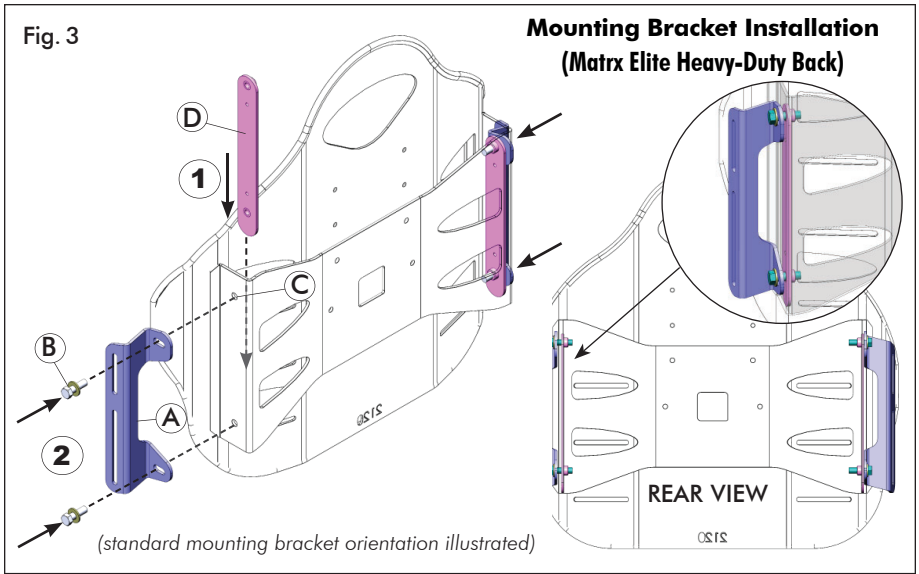
##### I. Mounting Bracket Installation - ELITE Backs: (...cont'd)



##### II. Mounting Bracket Installation - ELITE-HD Backs: (refer to Fig. 1 a/1b and Fig 3)

1. Determine the desired orientation of the mounting brackets (per Fig. 1a/1b).
2. Working on one side of the back shell at a time, insert/align\* the threaded backing plate (D), with the corresponding mounting holes in the Elite HD back shell (C) (1).  
(\*Note: ensure the backing plate is installed with the flat surface against the back shell mount, and the threaded pem nuts facing inward to the center of the back shell)
3. Align the mounting holes on mounting bracket (A) with the mounting holes in the Elite HD back shell (C).
4. Install the upper and lower mounting screws (B) (with washers) through the mounting bracket, through the HD back shell, and into the threaded pem nuts on the backing plate (D) (2). Ensure both screws are fully secured to the backing plate.
5. Repeat steps 2-4. to install the Amylior-Elite mounting bracket onto the opposite side of the HD back shell.

(\*NOTE: the Amylior-Elite Mounting Brackets (Interface Kits) are designed for installation onto wheelchair back canes that are the same nominal width as the Elite back shell. For installation onto back canes up to 1" wider than the nominal back width, a separate Hardware/Spacer Kit (TRC1688) is required (sold separately)).



### 3.4 CANE CLAMP INSTALLATION

**❗ IMPORTANT!** The cane clamps must be positioned to avoid interference with other cane mounted accessories/components, while still aligning with the mounting brackets on the Elite/Elite-HD Back. This alignment should be verified, **PRIOR** to installing the cane clamps. It may be necessary to change the orientation of the mounting brackets to complete the installation and achieve the desired back height.

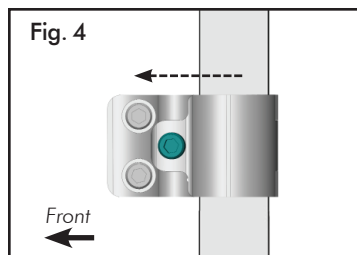
**Cane Clamp Installation Instructions:** (refer to **Fig. 4** and **Fig 5a/5b**)

Working on one side at a time, install the upper and lower clamp assemblies onto each back cane

1. (If necessary) Install the appropriate cane insert onto the back cane (**Fig. 5a (1)**).
2. Close the outer clamp (**A**) over the back cane (cane insert) and align it with the inner clamp (**B**)\*

\***NOTE:** to ensure proper Elite/Elite HD Back installation and avoid interference with existing wheelchair components, the cane clamp assemblies **must** be installed in the same forward-facing orientation illustrated in **Fig. 4** below.

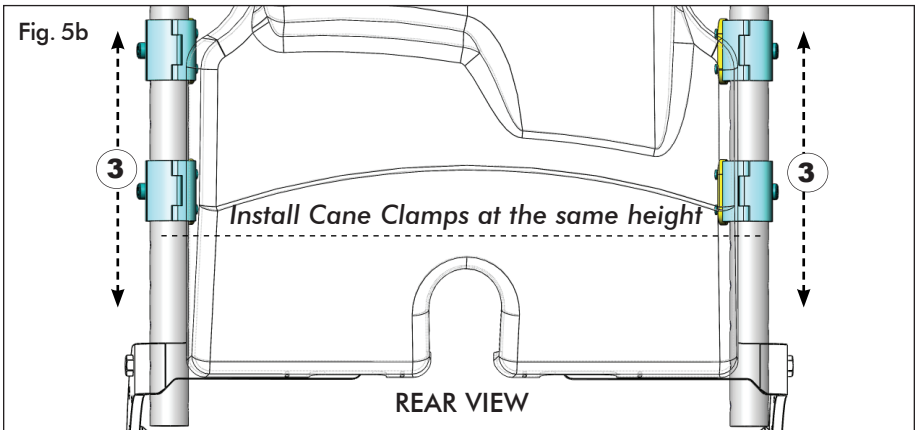
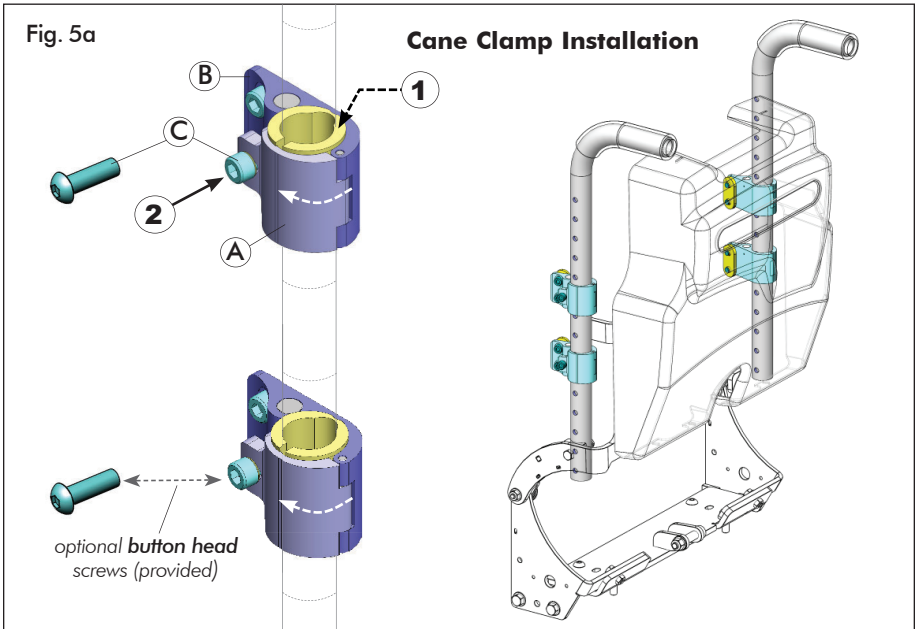
#### Proper Cane Clamp Orientation



3. Loosely secure the clamp assembly onto the back cane (**2**) via the clamp cane mounting screw<sup>1</sup> (**C**).

4. Slide/adjust the cane clamp assembly to the desired position/height on the back cane (3).
5. Install the remaining cane clamps (per steps 1-4), ensuring that the canes clamps are adjusted to the same height on each back cane.
6. Once all cane clamp positions are properly set, fully secure all mounting screws (C)

**1NOTE:** The Cane Clamp Assemblies may be modified to use optional **button head** mounting screws (provided), in place of the socket head mounting screws (C) illustrated in **Fig 5a**. (to minimize the protrusion of hardware).



**NOTE:** Further fine-tune back height adjustments can be made (via the Amylior-Elite mounting brackets) following installation of the E2 Back- see **section 3.5.1**

### 3.5 ELITE/ELITE-HD BACK INSTALLATION & SET-UP

#### **i** IMPORTANT! PRIOR TO INSTALLATION

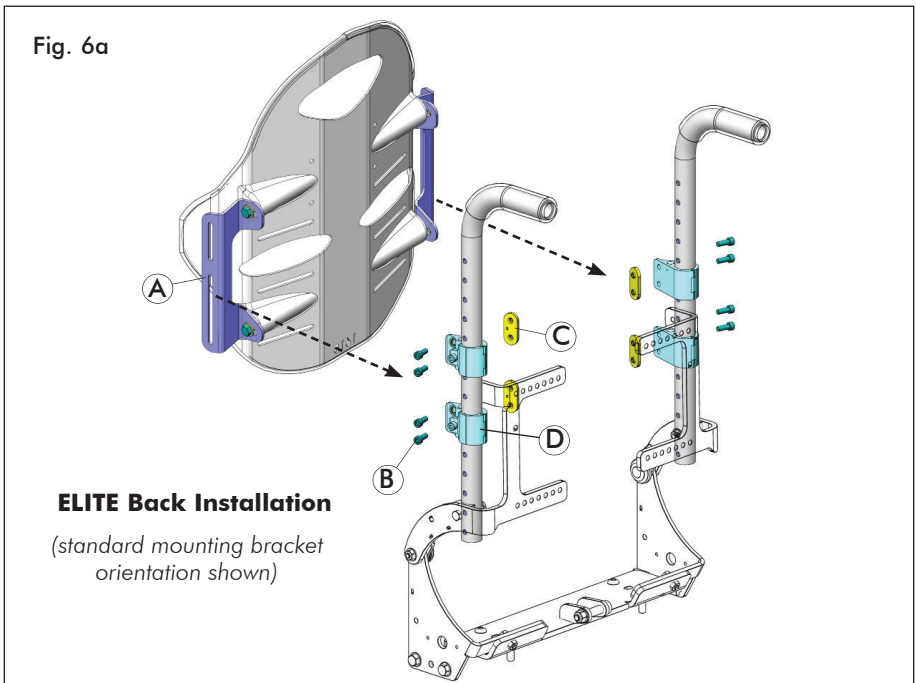
- Verify that the cane clamp assemblies are properly spaced to align with the interface mounting brackets, and installed at the same height on the left and right back canes.
- Although fine-tune height adjustments will be available following installation of the Elite/Elite-HD Back, it is recommended to verify the final back height/mounting position prior to beginning the installation.

#### 3.5.1 ELITE/ELITE-HD BACK INSTALLATION & SET-UP

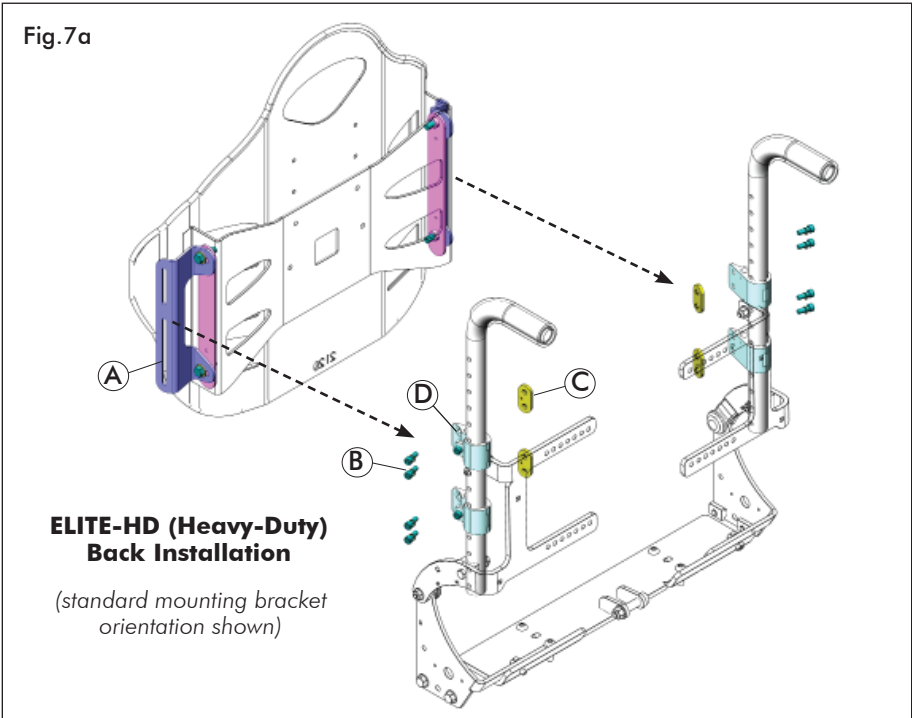
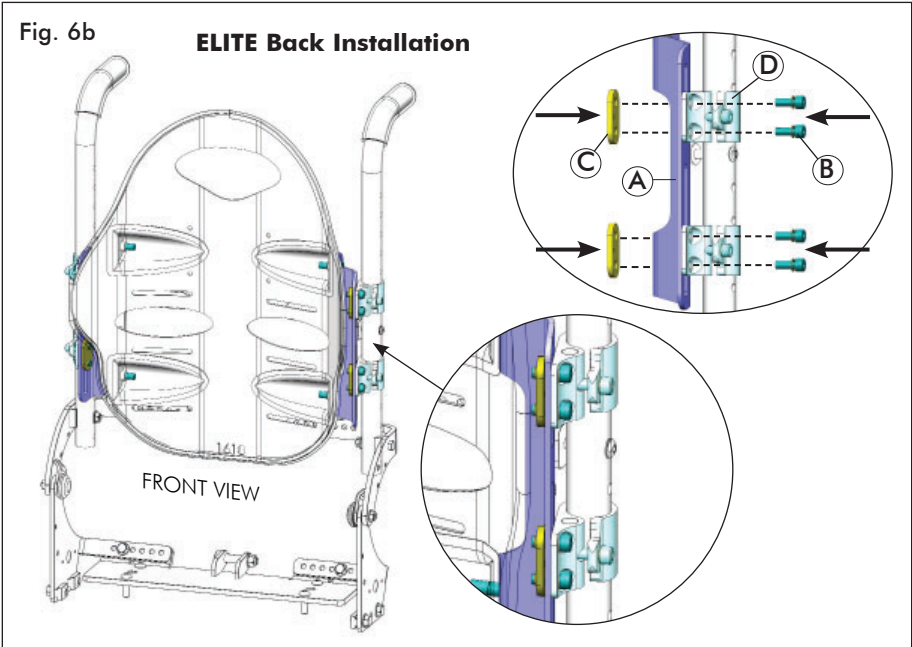
**i** NOTE: Whenever possible, it is recommended that the installation/set-up be performed with the client seated in the chair.

**Installing an ELITE BACK** (see Fig. 6a/6b) **OR ELITE-HD BACK:** (see Fig. 7a/7b)

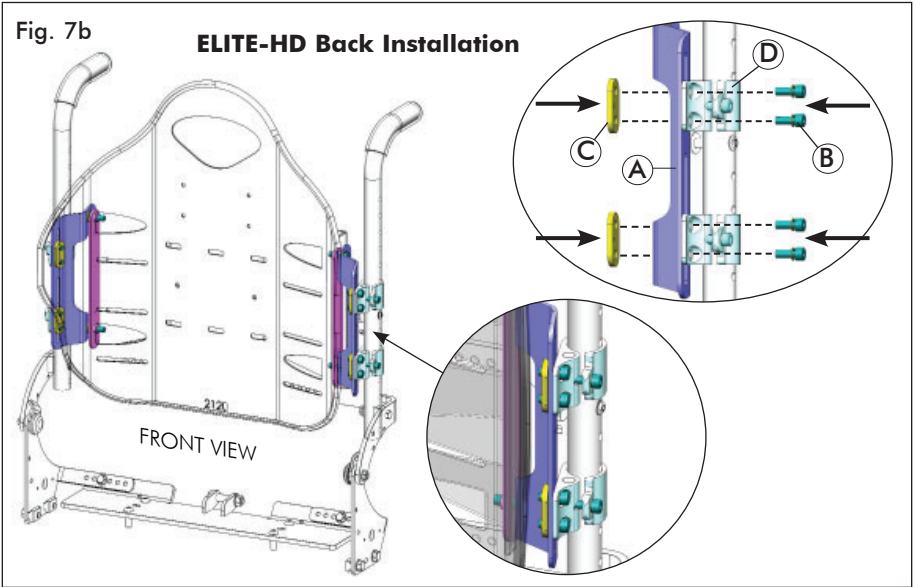
1. Working on one side at a time, secure the mounting bracket (A) to the cane clamp assemblies (D) as follows:
  - i) Install the cane clamp screws (B) through the upper and lower cane clamp assemblies (D), and through the corresponding upper and lower slots in the mounting bracket (A).
  - ii) Loosely secure the clamp screws into the threaded nut plates (C).
2. Repeat step 2. to fasten together the opposite mounting bracket and cane clamp assemblies.
3. Before fully securing the hardware, the final back height can be set/adjusted via the slots in the mounting bracket- see **Section 3.5.2**.



### 3.5 ELITE/ELITE-HD BACK INSTALLATION & SET-UP (...cont'd)



### 3.5 ELITE/ELITE-HD BACK INSTALLATION & SET-UP (...cont'd)

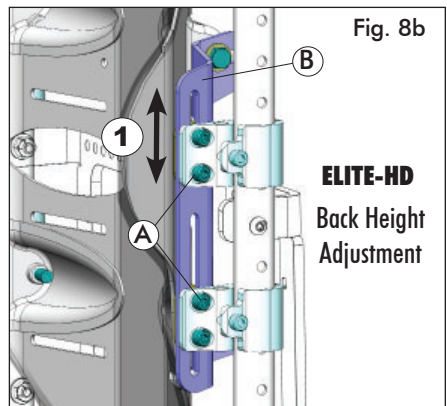
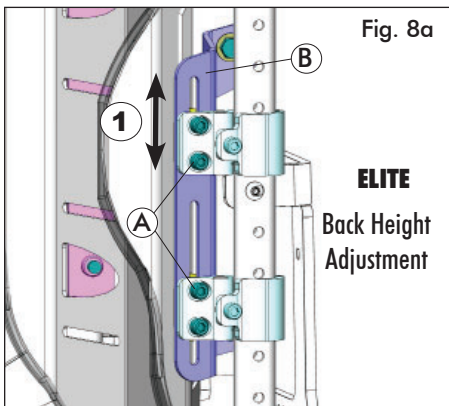


#### 3.5.2 ELITE/ELITE-HD BACK HEIGHT ADJUSTMENT

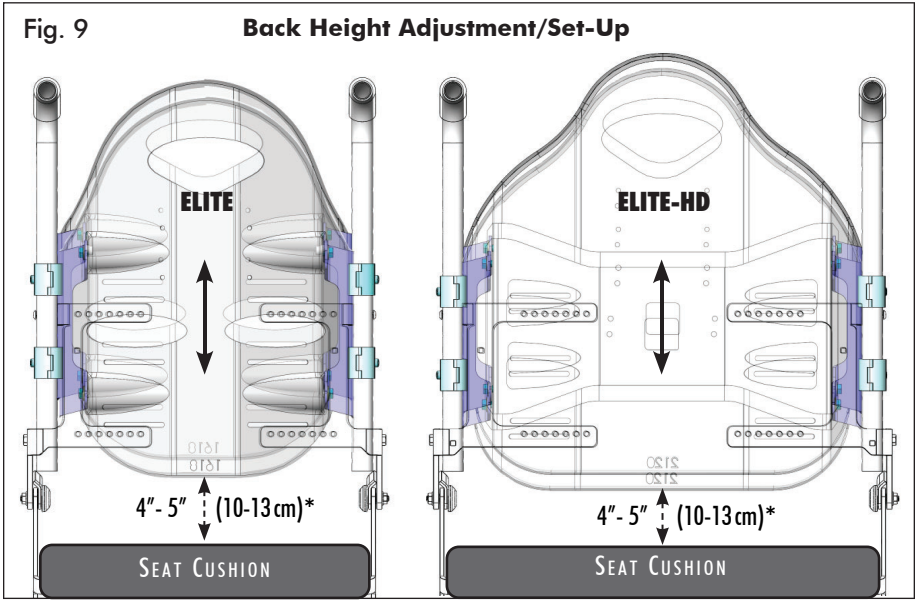
##### BACK HEIGHT ADJUSTMENT (for Elite & Elite-HD Backs): (refer to Fig. 8a/b & Fig 9)

**NOTE:** The Amylior-Elite Mounting Brackets allow for up to 7/8" (22mm) of height adjustment via the vertical slots in the mounting brackets. If the slot does not provide sufficient height adjustment, an adjustment to the cane clamp position or a change to the bracket orientation may be required.

1. Loosen the upper & lower adjustment screws (A) on both mounting brackets (B), then adjust the Elite/Elite-HD Back to the desired height via the vertical adjustment slot (1) in the mounting bracket.
2. Ensure ALL adjustment screws (A) are fully tightened following adjustment.



### 3.5 ELITE/ELITE-HD BACK INSTALLATION & SET-UP (...cont'd)



**\*Note:** The recommended back height is provided as a guideline only. The final back height should be adjusted/set to best meet the end user's needs- see **Important!** note below.

**ⓘ IMPORTANT!** The bottom of the back should always be positioned anatomically below the Posterior Superior Iliac Spine (PSIS). If you have any questions or concerns regarding proper back height adjustment, please contact your local service provider/therapist for assistance.

## 4.0 MAINTENANCE

### 4.1 INSPECTION AND MAINTENANCE

**⚠ WARNING! Risk of injury or damage**

- Do not continue to use this product if problems or damage are discovered;
- Corrective maintenance can be performed at or arranged through your service provider

**Weekly:** Inspect **ALL** fasteners weekly to ensure that mechanical connections and attaching hardware are tightened securely.

**Monthly:** Perform a visual inspection of parts including hardware, brackets, upholstery materials, foam, and plastics for deformation, corrosion, breakage, wear or compression. Replace damaged/worn components if necessary.

## 4.2 REUSE/RECYCLING

### **WARNING! Risk of Injury**

Always have an authorized dealer inspect the product for damage or wear PRIOR to transferring the product to a different user. If any damage is found, DO NOT use this product. Failure to heed these warnings may result in severe injury.

This product is suitable for re-use. The outer cover (fabric and foam), back shell and mounting hardware must be inspected by a qualified dealer or healthcare professional before re-use. If any damage is found, DO NOT RE-USE

Clean and disinfect all components (cover, foam, hardware and back shell) in accordance with local government regulations, prior to re-use. For further assistance and/or information on decontamination and disinfection, please consult your local Infection Control Office.

## 4.3 DISPOSAL

The disposal and recycling of used devices and packaging must comply with the applicable local legal regulations.

---



**Motion Concepts**

---

**USA**  
700 Ensminger Rd. Suite 112  
Tonawanda, NY 14150  
888-433-6818

[www.motionconcepts.com](http://www.motionconcepts.com)

**Canada**  
84 Citation Dr., Unit 1-10  
Concord, Ontario L4K 3C1  
866-748-7943

Copyright © 2023 Motion Concepts LP. All rights reserved. Republication, duplication or modification in whole or in part is prohibited without prior written permission from Motion Concepts. Trademarks are identified by ™ and ®. All trademarks are owned by or licensed to Invacare Corporation or its subsidiaries unless otherwise noted.