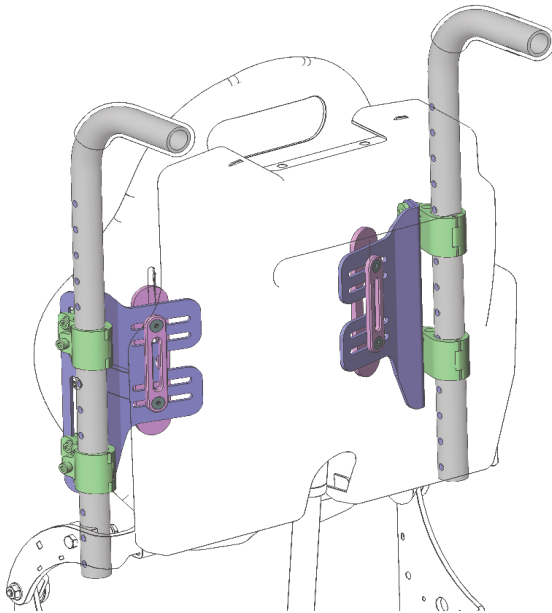


# AMYLIOR

## CANE MOUNTED INTERFACE KIT

FOR **MATRIX<sup>®</sup> E2 BACKS**  
(E2 STANDARD & E2 DEEP MODELS)



## INSTALLATION/SET-UP

**i IMPORTANT!** The installation instructions contained in this manual must only be carried out by a qualified service technician.

*This manual may not be reproduced or reprinted either partly or completely without previous written consent from Motion Concepts or its statutory representatives.*

*This user manual is compiled from the latest specifications and product information available at the time of publication. We reserve the right to make any necessary as they become necessary. Any changes made to our products may cause slight variations between the illustrations and explanations in this manual and the product you have purchased. If you have any questions or concerns regarding the information provided in this manual, please contact our Customer Service Department for assistance.*


Motion Concepts LP Copyright © 2023


# 1.0 GENERAL WARNINGS/INFORMATION


## 1.1 OVERVIEW

### SAFETY SYMBOLS:

Proper set-up and safe installation of the Amylior Interface Mounting Kit depends on your own good judgement and common sense, as well as that of your provider, caregiver and/or health professional. The following symbols are used throughout this user manual to identify warnings, cautions and important notes. It is very important that you read and understand them completely.

 **CAUTION!** Failure to heed the cautions in this manual may result in damage to your Matrx Seating product.

 **WARNING!** Failure to heed the warnings in this manual may result in death, serious injury or damage.


 **IMPORTANT!** Important information to remember during installation, set-up and/or adjustment of you Matrx Seating product.

### **USER WARNING!**

Improper use of this product may cause injury or damage. DO NOT use this product or any available optional equipment without first completely reading and understanding these instructions and any additional instructional material such as user manual, service manuals or instruction sheets supplied with this product or optional equipment. If you are unable to understand the warnings, cautions or instructions, contact a health care professional or dealer before attempting to use this equipment.

### **IMPORTANT INFORMATION**

The best way to avoid problems related to pressure injuries is to understand their causes and your role in a skin management program. Your therapist and physician should be consulted if you have questions regarding individual limitations and needs. All back supports should be selected carefully. Working with your therapist and physician is the best way to assure that a cushion choice matches your individual needs. As the needs of the individual become more complex, the evaluation becomes more important.

 **IMPORTANT!** Please refer to the Amylior Wheelchair Owners/Operators Manual for additional safety information, warnings and cautions related to the operation of your wheelchair.

## 1.2 INTENDED USE

Our Matrx<sup>®</sup> E2 backs are intended to provide back support for a wide variety of wheelchair users. It is designed to allow precise orientation within a wheelchair to ensure optimal postural support and positioning.

## 2.0 SAFETY INFORMATION

### 2.1 TRANSPORTATION WARNINGS!

**⚠ WARNING!** Risk of serious injury when transporting the client within a wheelchair fitted with a Matrx® E2 Back in a motor vehicle.

- It is Motion Concepts position that, whenever feasible, the wheelchair user should be transferred out of the wheelchair into the vehicle seat during travel and use the vehicle-manufacturer-installed restraint system, or an appropriate child safety seat. The unoccupied wheelchair (mobility device) should be stored in a cargo area and/or safely secured in the vehicle during travel.

**i IMPORTANT!** If the wheelchair and Matrx® E2 Back is transported unoccupied, the wheelchair should be secured/anchored to the vehicle an approved tie-down system according to the manufacturer's instructions. If the wheelchair is dismantled for transportation, ensure that all parts are secured safely within the vehicle.

### TRANSPORTING THE CLIENT IN A MOTOR VEHICLE WITHIN A WHEELCHAIR

**i IMPORTANT!** For transportation warnings, guidelines and safety information on wheelchair seating combinations tested and approved for occupied transport within a motor vehicle, please refer to the OEM Wheelchair Owners Manual (provided separately) or contact Amylior for further assistance.

**Customer Service:** 1-888 453-0311    [www.amylior.com](http://www.amylior.com)

---

### 2.2 GENERAL SAFETY AND INSTALLATION WARNINGS!

**⚠ WARNING!** Risk of Death, Serious Injury, or Damage

Lighted cigarettes dropped onto an upholstered seating system can cause a fire resulting in death, serious injury or damage. Wheelchair occupants are at particular risk of death or serious injury from these fires and resulting fumes because they may not have the ability to move away from the wheelchair.

- DO NOT smoke while using this wheelchair

**⚠ WARNING!** Risk of Serious Injury or Damage

- The procedures in this manual should be performed by a qualified technician
- The hardware provided is high strength and tested for durability. **Do Not substitute hardware.** Use only the original hardware supplied with your Matrx back
- Attaching hardware that is loosely secured could cause loss of stability resulting in serious injury or damage.
- After ANY adjustments, repair or service and before use, make sure that all attaching hardware is tightened securely.
- DO NOT install the Matrx® back/hardware onto back canes with an outside diameter greater than 1" (25mm) or less than 3/4" (19mm). Otherwise, injury or damage may occur.
- For power seating applications, the Fixed Mounting Hardware must be used.

## 2.0 SAFETY INFORMATION

### **⚠ WARNING! Risk of Serious Injury**

When establishing the mounting position for the Matrx® back, ensure the stability of the wheelchair is not compromised. Adjusting the forward and aft position and/or angle of the backrest will alter the user's center of gravity within the wheelchair. It may be necessary to reposition the front casters, rear wheels, back angle, tilt-in-space, recline position and/or seat depth before use.

### **⚠ WARNING! Risk of Injury**

Matrx® products are specifically designed and manufactured for use in conjunction with Matrx® accessories. Accessories designed by other manufacturers have not been tested by Motion Concepts and are not recommended.

### **⚠ WARNING Risk of Injury**

Skin condition should be checked very frequently after the installation of any new seating system. Working with you therapist, physician and service provider is the best way to assure that a seating choice meets your individual needs.

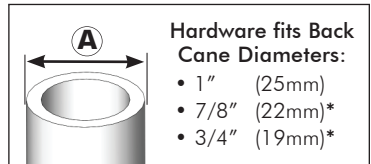
## 3.0 AMYLOR-E2 BACK INTERFACE KIT INSTALLATION

### 3.1 FITTING THE E2 BACK TO THE AMYLOR WHEELCHAIR:

PRIOR to installation, verify the diameter of the wheelchair back canes (A) and the width between back canes (B)

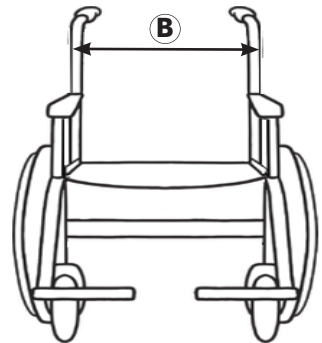
Model #	Description	Contour Depth	Weight Capacity
E2Swwhh	E2 Std. Back	3in (8cm)	300lb (136kg)
E2Dwwhh	E2 Deep Back	6in (15cm)	300lb (136kg)

\*wwhh = width/height



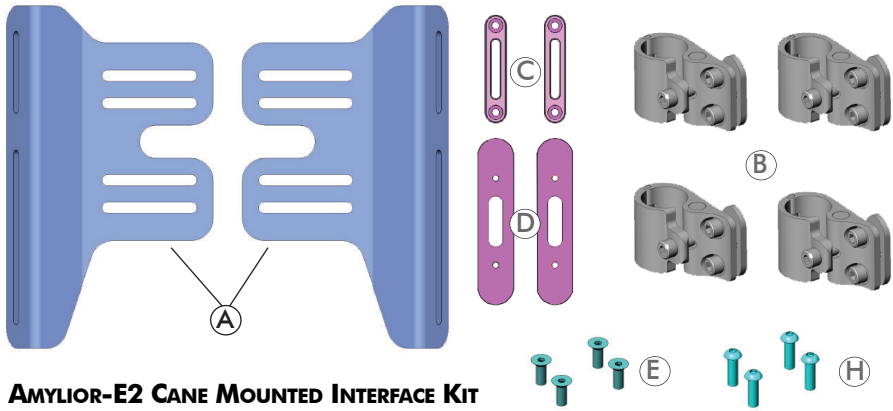
\*requires cane inserts (provided)

E2S/E2D Back Width	FITS ONTO BACK CANE WIDTH (B)	
	Minimum Width	Maximum Width
14in (36cm)	13in (33cm)	16in (41cm)
15in (38cm)	14in (36cm)	17in (43cm)
16in (41cm)	15in (38cm)	18in (46cm)
17in (43cm)	16in (41cm)	19in (48cm)
18in (46cm)	17in (43cm)	20in (51cm)
19in (48cm)	18in (46cm)	21in (53cm)
20in (51cm)	19in (48cm)	22in (56cm)



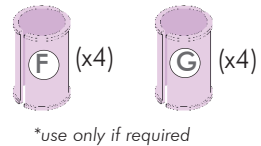
## 3.0 AMYLOR-E2 BACK INTERFACE KIT INSTALLATION

### 3.2 AMYLOR/E2 CANE MOUNTED INTERFACE KIT



#### AMYLOR-E2 CANE MOUNTED INTERFACE KIT

- 2 - Amylor-E2 Mounting Bracket (A)
- 4 - MiniSet Cane Clamp Assembly (B)
- 2 - Mounting Bracket Washer Plate (C)
- 2 - Mounting Bracket Nut Plate (D)
- 4 - Adjustment/Mounting Screws (E)
- 4 - Cane Insert for 7/8" (22mm) back canes\* (F)
- 4 - Cane Insert for 3/4" (19mm) back canes\* (G)
- 4 - (Optional) Button Head Clamp Mounting Screws (H)



**i** **NOTE:** If any of the supplied hardware is missing or misplaced, please contact your local Service Provider to obtain the necessary replacements.

### 3.3 AMYLOR-E2 MOUNTING BRACKET INSTALLATION

#### 3.3.1 INSTALLING THE MOUNTING BRACKETS:

**i** **IMPORTANT!** Unless otherwise necessary, **always** ensure that adjustments are made **symmetrically** on the left and right mounting brackets.

**i** **IMPORTANT!** The Amylor-E2 Interface Kit allows for installation of the Matrix E2 Back onto back canes up to **2" (51mm) wider or 1" (25mm) narrower** than the nominal back width.

**i** **NOTE:** The Amylor-E2 Mounting brackets may be installed in a **standard** or **inverted** orientation, depending on the final desired back height and/ or to provide clearance for other cane mounted accessories. Both orientations allow for further fine-tune back height adjustments following installation (see **section 3.5**), however it is recommended that the most appropriate mounting bracket configuration be determined **PRIOR** to installation.

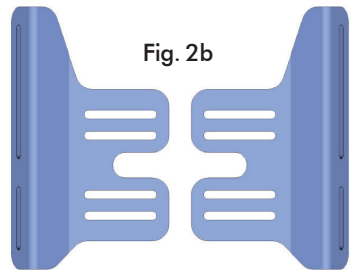
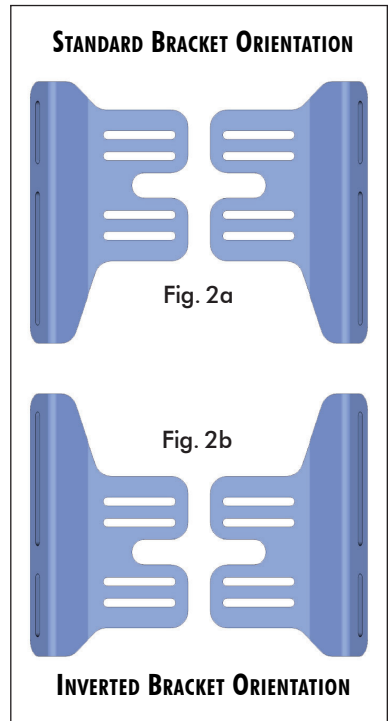
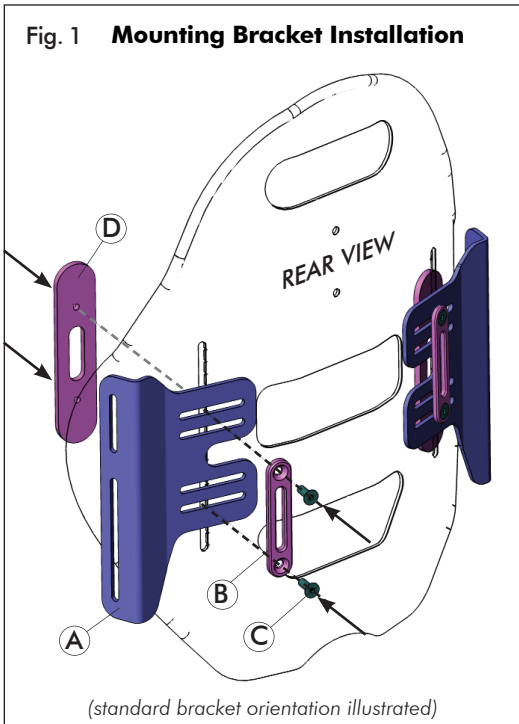
### 3.3.1 INSTALLING THE MOUNTING BRACKETS: (...cont'd)

#### Bracket Installation Instructions: (refer to Fig. 1 and Fig 2a/2b)

**i NOTE:** Prior to installing the mounting brackets, the outer cover of the E2 Back must first be removed by releasing the hook and loop fasteners along the bottom edge and inside of the back shell.

1. Determine the desired orientation of the mounting brackets (see Fig. 2a (Standard Orientation) or Fig. 2b (Inverted Orientation)).
2. Working on one side of the back shell at a time, align the washer plate (B) with the slots in the Amylior-E2 mounting bracket (A) and insert the adjustment screws (C) through both parts.
3. From the rear of the back shell, align the mounting bracket assembly (A/B/C above) with the vertical slot in the E2 back shell, then secure\* the adjustment screws into the threaded nut plate (D) (on the inside of the back shell).
4. Repeat steps 1. and 2. to install the Amylior-E2 mounting bracket onto the opposite side of the back shell.

(\*note: the mounting brackets/screws can remain loosely installed at this time. The mounting hardware will be fully secured during installation & adjustment of the E2 Back- refer to section 3.5)



**INVERTED BRACKET ORIENTATION**

## 3.0 AMYLOR-E2 BACK INTERFACE KIT INSTALLATION

### 3.4 CANE CLAMP INSTALLATION

**NOTE:** The mounting position of the cane clamps should be estimated so that, when installed, the installed E2 back will be close to the desired back height. A higher cane clamp mounting position typically works best. Additional fine-tune back height adjustments will be available following installation of the E2 Back- see **Section 3.5**.

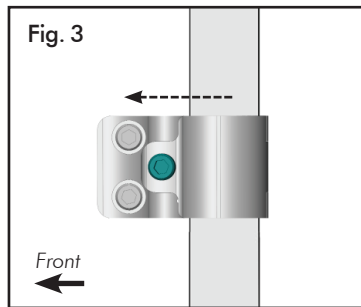
**Cane Clamp Installation Instructions:** (refer to **Fig. 3** and **Fig 4a/4b**)

Working on one side at a time, install the upper and lower clamp assemblies onto each back cane. Fine tune adjustments may be necessary during final back installation

1. (If necessary) Install the appropriate cane insert onto the back cane (1).
2. Position/close the outer clamp (A) over the back cane (cane insert) and align it with the inner clamp (B)\*

**\*NOTE:** to ensure proper E2 Back installation and avoid interference with existing wheelchair seating components, the cane clamp assemblies **must** be installed in the same orientation illustrated in **Fig. 3** below.

#### Proper Cane Clamp Orientation

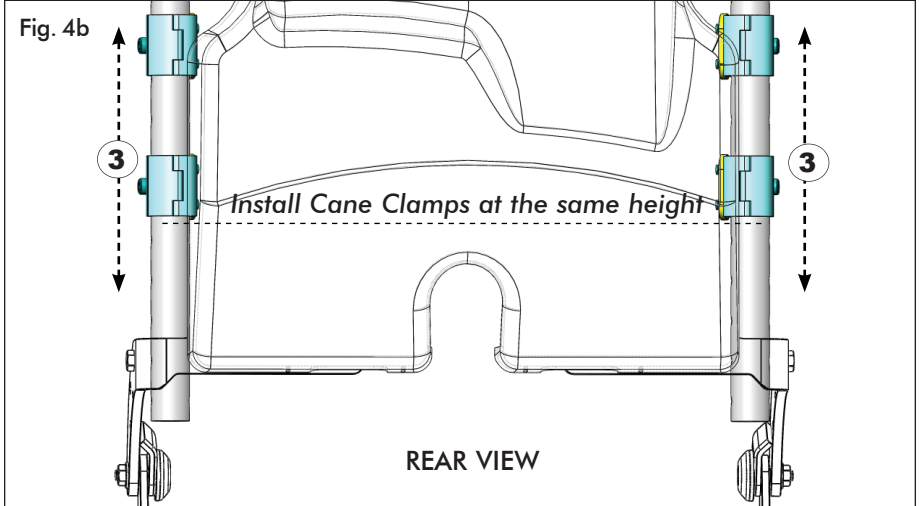
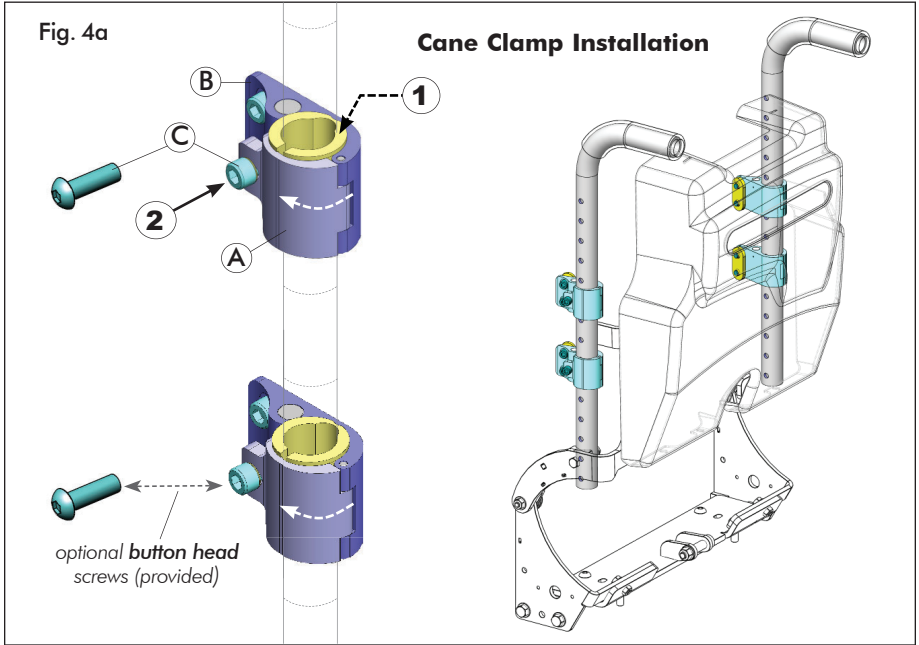


3. Loosely secure the clamp assembly onto the back cane (2) via the cane clamp mounting screw<sup>1</sup> (C).
4. Slide/adjust the cane clamp assembly to the desired position/height on the back cane (3).
5. Install the remaining cane clamps (per steps 1-4), ensuring that the canes clamps are adjusted to the same height on each back cane.
6. Once all clamp positions are properly set, fully secure all mounting screws (2)

**NOTE:** The Cane Clamp Assemblies may be modified to use optional **button head** mounting screws (provided), in place of the socket head mounting screws (C) illustrated in **Fig 4a**. (to minimize the protrusion of hardware).



### 3.0 AMYLIOR-E2 BACK INTERFACE KIT INSTALLATION



**NOTE:** Further fine-tune back height adjustments can be made (via the Amylior-E2 mounting brackets) following installation of the E2 Back- see **section 3.5.1**

### 3.5 E2 BACK INSTALLATION, SET-UP & ADJUSTMENT

#### **! PLEASE NOTE**

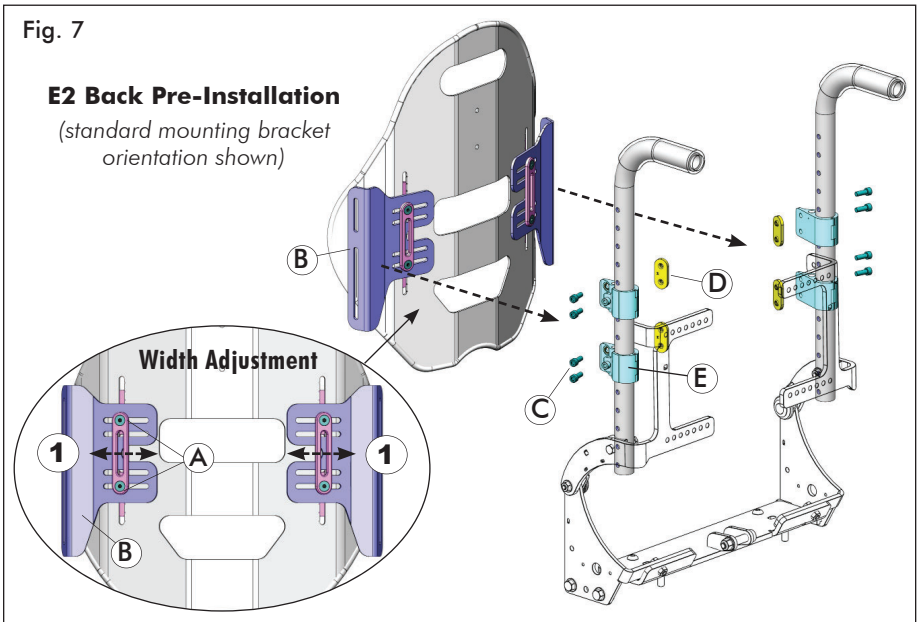
The mounting bracket **adjustment screws (A)** will simultaneously adjust the **Width and Height** of the back (relative to the back canes). Please read through ALL set-up/adjustment instructions, PRIOR to beginning the back installation.

**i IMPORTANT!** Unless otherwise necessary, **always** ensure that adjustments are made **symmetrically** on the left and right mounting brackets.

#### 3.5.1 E2 BACK INSTALLATION (incl. WIDTH and HEIGHT ADJUSTMENT)

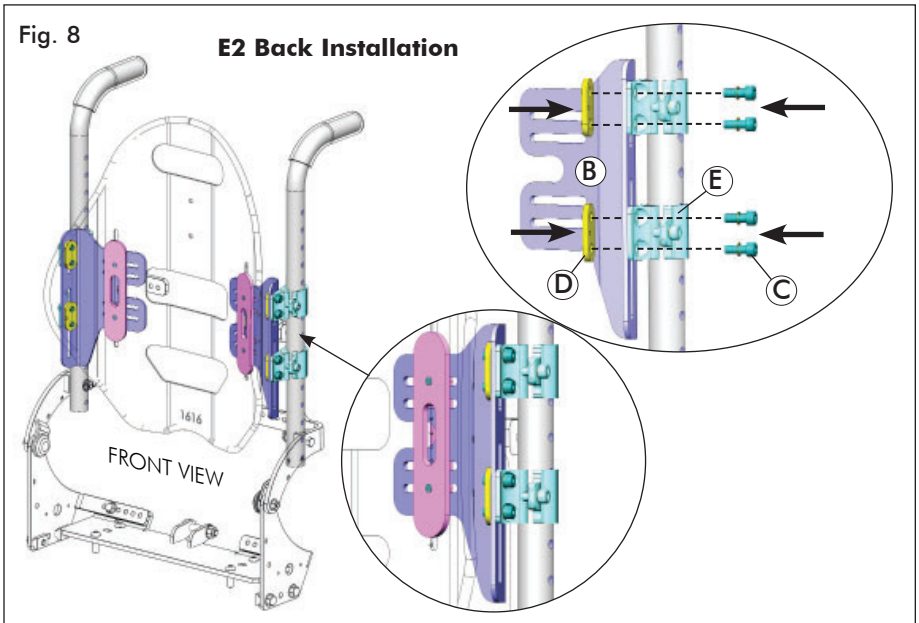
##### Installation, Width & Height Adjustment Instructions:

- 1. PRE-INSTALLATION/WIDTH ADJUSTMENT:** (refer to Fig 7).
  - Loosen the adjustment screws (**A**) on both Amylior-E2 mounting brackets (**B**), and adjust the bracket width (**1**) equally, so that mounting brackets will align flush with the (left & right) cane clamp assemblies (**E**).
  - Tighten the adjustment screws (**A**) to secure the mounting brackets in place .



- 2. INSTALLING THE E2 BACK:** (refer to Fig. 8) Working on one side at a time, secure the mounting bracket (**B**) to the cane clamp assemblies (**E**) as follows:
  - Install the cane clamp screws (**C**) through the upper and lower cane clamp assemblies (**E**), and through the corresponding upper and lower slots in the mounting bracket (**B**).
  - Secure the clamp screws into the threaded nut plates (**D**).
3. Repeat step 2. to fasten together the opposite mounting bracket and cane clamps assemblies.

### 3.5 E2 BACK INSTALLATION, SET-UP & ADJUSTMENT (...cont'd)



#### 4. FINAL BACK SET-UP: (refer to Fig. 9.)

The Amylior-E2 mounting bracket interface is designed to allow for simultaneous **horizontal** and **vertical** (height) adjustment of the E2 Back (relative to back canes). Whenever possible, it is recommended that final set-up be performed with the client seated in the chair.

##### Vertical (Height) Adjustment:

i) Loosen the mounting bracket adjustment screws (A) on both mounting brackets (B), then adjust the E2 Back to the desired height via the vertical adjustment slots (2) in the back shell\*.

**Note:** Use the **hash mark** indicators on the adjustment slots to ensure the mounting brackets are adjusted equally/symmetrically.

##### Horizontal Adjustment:

i) Loosen the mounting bracket adjustment screws (A) and adjust the back position horizontally via the slots in the mounting brackets (3). Unless otherwise prescribed, the back should always be centered between the back canes.

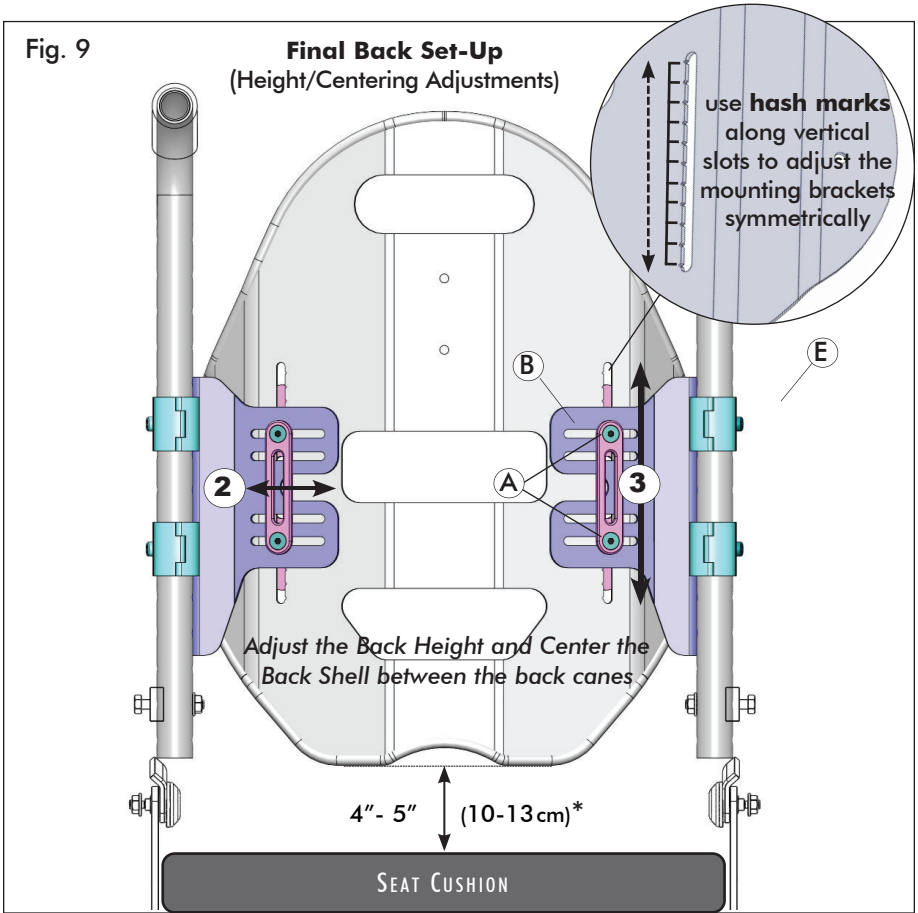
**\*NOTE:** The vertical (height) adjustment slots on each E2 back shell vary in length depending on the nominal back height- refer to **Table 1.** below)

**Table 1. E2 BACK SHELL: RANGE OF HEIGHT ADJUSTMENT**

Back Height	Adjustment Range	Back Height	Adjustment Range
6" (15cm)	1.25" (32mm)	12" (31cm)	2.5" (63mm)
8" (23cm)	1.5" (38mm)	14", 16" (36, 41cm)	3.5" (89mm)
10" (26cm)	2.0" (51mm)	18", 20" (46, 51cm)	3.25" (83mm)

### 3.5 E2 BACK INSTALLATION, SET-UP & ADJUSTMENT (...cont'd)

- Following adjustment, fully tighten the adjustment screws (A) on both mounting brackets (B) to secure the E2 Back in the desired position.



**\*Note:** The recommended back height is provided as a guideline only. The final back height should be adjusted/set to best meet the end user's needs- see **Important!** note below.

**i IMPORTANT!** The bottom of the back should always be positioned anatomically below the Posterior Superior Iliac Spine (PSIS). If you have any questions or concerns regarding proper back height adjustment, please contact your local service provider/therapist for assistance.

## 4.0 MAINTENANCE

### 4.1 INSPECTION AND MAINTENANCE

#### **▲ WARNING! Risk of injury or damage**

- Do not continue to use this product if problems or damage are discovered;
- Corrective maintenance can be performed at or arranged through your service provider

**Weekly:** Inspect **ALL** fasteners weekly to ensure that mechanical connections and attaching hardware are tightened securely.

**Monthly:** Perform a visual inspection of parts including hardware, brackets, upholstery materials, foam, and plastics for deformation, corrosion, breakage, wear or compression. Replace damaged/worn components if necessary.

### 4.2 REUSE/RECYCLING

#### **▲ WARNING! Risk of Injury**

Always have an authorized dealer inspect the product for damage or wear **PRIOR** to transferring the product to a different user. If any damage is found, **DO NOT** use this product. Failure to heed these warnings may result in severe injury.

This product is suitable for re-use. The outer cover (fabric and foam), back shell and mounting hardware must be inspected by a qualified dealer or healthcare professional before re-use. If any damage is found, **DO NOT RE-USE**

Clean and disinfect all components (cover, foam, hardware and back shell) in accordance with local government regulations, prior to re-use. For further assistance and/or information on decontamination and disinfection, please consult your local Infection Control Office.

### 4.3 DISPOSAL

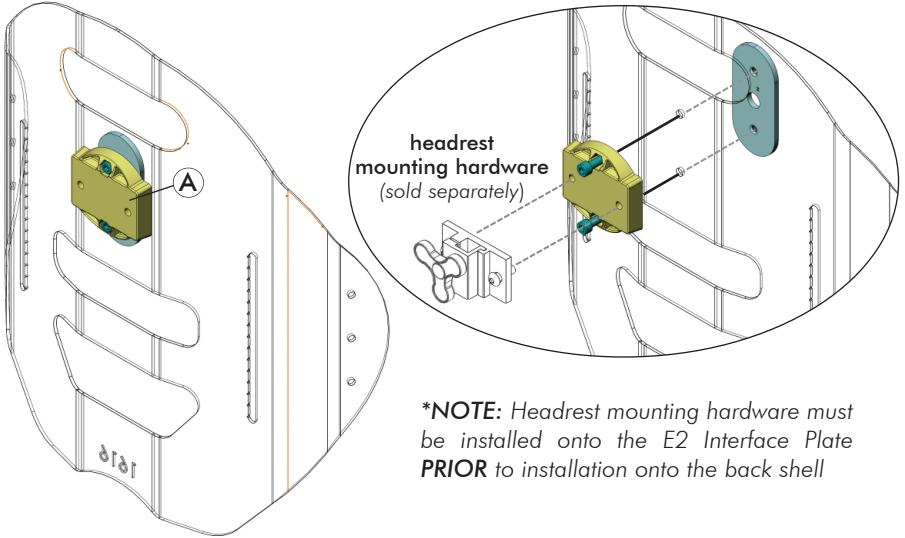
The disposal and recycling of used devices and packaging must comply with the applicable local legal regulations.

---

## 5.0 E2 BACK ACCESSORIES

### 5.1 E2 HEADREST INTERFACE PLATE

The E2 Headrest Interface Plate (A) is included only with Matrix E2 Backs for **Back Heights** ranging from **14" (36cm) up to 20" (51cm)**. The E2 headrest interface is compatible with most industry standard headrest mounting hardware. The headrest interface plate installs directly onto the E2S/E2D back shell using the hardware provided\*.



**\*NOTE:** Headrest mounting hardware must be installed onto the E2 Interface Plate **PRIOR** to installation onto the back shell

### 5.2 E2 LUMBAR SUPPORT

The E2 Lumbar Support (A) is included with ALL E2 Backs. The Lumbar Support is a pre-fabricated foam insert that provides optional lower back support for improved positioning and comfort. The lumbar support may be installed inside the Matrix E2S/E2D cover when desired (see instructions/images below).

#### Installing the Lumbar Support:

1. Open the outer cover at the bottom rear of the back shell (via the hook and loop fastener).
2. Install the lumbar support inside the E2 back cover (behind the existing foam pad), as illustrated below.
3. Refasten the outer cover onto the back shell.







**Motion Concepts**

---

[www.motionconcepts.com](http://www.motionconcepts.com)

**USA**

700 Ensminger Rd. Suite 112  
Tonawanda, NY 14150  
888-433-6818

**Canada**

84 Citation Dr., Unit 1-10  
Concord, Ontario L4K 3C1  
866-748-7943

Copyright © 2023 Motion Concepts LP. All rights reserved. Republication, duplication or modification in whole or in part is prohibited without prior written permission from Motion Concepts. Trademarks are identified by ™ and ®. All trademarks are owned by or licensed to Invacare Corporation or its subsidiaries unless otherwise noted.