

# ALLTRACK HD<sup>3</sup> SERIES



## OWNER'S MANUAL

OM | P25015 | 1005469 | R02

### ALLTRACK HD3 Power Wheelchair

**Supplier:** This Owner's Manual must be given to the wheelchair occupant.

**Occupant:** Before using this wheelchair, please read this entire Owner's Manual and save it for future reference.

**Caution:** Federal law restricts this device to sale by or on the order of a practitioner licensed by the law of the State/Province in which they practice.



## I. INTRODUCTION

Thank you for choosing us to get you moving! Congratulations on your new **Alltrack** acquisition! We recommend that you register your **Alltrack** by scanning this QR code or by visiting our website at <https://amylor.com/register-my-product/>. This registration will provide us with your chair's full pedigree (model, options, and ownership validation). In exchange, we will keep you updated on recent improvements, product safety notices, customer support and services as well as answers to some questions you may have.



### THE LATEST OWNER'S MANUAL

Please note that while every effort has been made to ensure the accuracy and integrity of this Owner's Manual, updates or revisions may occur after delivery. For the most recent version of the Owner's Manual, please visit our website <https://amylor.com/bsk-pdf-manager/alltrack-hd-owners-manual/> where you can access the latest information and any additional resources.



### AMYLOR LISTENS

We want to hear your questions or comments on this Owner's Manual, the safety and reliability of your power wheelchair and the service you receive from your authorized **AMYLOR** supplier. Please feel free to write or call us at the address and telephone number below:

### AMYLOR

#### CUSTOMER SERVICE DEPARTMENT

#### AMYLOR INC.

3190 F.-X.-Tessier  
Vaudreuil-Dorion QC  
J7V 5V5, CANADA

**T/F Phone:** 1 888 453-0311

**T/F Fax:** 1 877 501-8458

[info@amylor.com](mailto:info@amylor.com)

[techsupport@amylor.com](mailto:techsupport@amylor.com)

## WHERE TO FIND YOUR SERIAL NUMBER



This is the entire Serial Number. The first two numbers (highlighted) are the last 2 digits of the year of production (e.g. 2017).

## FOR ANSWERS TO YOUR QUESTIONS

Your authorized supplier knows your power wheelchair best and can answer your questions on power wheelchair safety, use and maintenance. For future reference, fill in the following:

Authorized supplier: .....

Sales person: .....

Address: .....

Phone: .....

Fax:.....

Serial #:.....

Date purchased:.....

## I. INTRODUCTION (CONTINUED)

---

The **Alltrack** HD3 is a Class B power wheelchair. A wheelchair sufficiently compact and maneuverable, yet of strength and capable of negotiating a range of indoor and outdoor environments.

### INDICATIONS FOR USE

---

**AMYLOR Alltrack** HD3 power wheelchairs are battery-powered devices prescribed for medical purposes to provide mobility and assisted (power) repositioning functions.

They are designed for individuals who are unable to walk or have limited mobility. Appropriate operation environments include indoor and outdoor leveled and smooth surfaces. Driving a powered wheelchair requires cognitive, physical, and visual skills.

The occupant must be in control of the wheelchair at all times and therefore capable of anticipating its behavior and rectify its trajectory as needed. Appropriate training with a qualified specialist is necessary for the occupant to learn the device's navigation and operation with either a joystick or a specialty control before using it independently. When equipped with an attendant control unit, the power wheelchair may be operated by an assistant on behalf of the occupant. As part of the training, the occupant must be informed and completely understand the entire content of the Owner's Manual.

Avoid exposing the wheelchair directly to sunlight or extreme heat for an extended period of time, as this can cause the parts to overheat and pose a burn risk to the occupant.

The intended lifetime of the wheelchair is five (5) years.

### OCCUPANT WARNING

---

#### **WARNING**

Notice to occupants. DO NOT operate this power wheelchair without initially reading the Owner's Manual. If you do not understand some of the instructions and warnings contained in this Manual, please contact your authorized supplier prior to operating your **Alltrack** power wheelchair. Not doing so, may result in damage and/or injury.

### AUTHORIZED SUPPLIER/TECHNICIAN WARNING

---

#### **WARNING**

Notice to authorized suppliers and qualified technicians. DO NOT operate or service the power wheelchair without initially reading this Owner's Manual. If you do not understand some of the instructions and warnings contained in this Manual, please contact the **AMYLOR** Technical Service Department prior to operating and/or servicing this **Alltrack** power wheelchair. Not doing so, may result in damage and/or injury.

For the most recent listing of this chair's parts and corresponding numbers, please refer to the Parts Manual found on **AMYLOR's** website under Support/For Pros.

Only qualified technicians from authorized **AMYLOR** suppliers may perform adjustments, maintenance, repairs and replacement of parts and components for this power wheelchair. Specific Instruction Guides are on **AMYLOR's** website under the Support/For Pros.

#### **WARNING**

Power wheelchairs contain electronic components which need to be handled according to the manufacturer's instructions. Please refer to the documents specific to your wheelchair. These documents can be found online on our website: [www.amylor.com](http://www.amylor.com) in the Support tab/For Pros under Instruction Guides/Electronics.



**NOTE** - Scan this QR code, to access all our "Instruction Guides" referred to in this Manual. <https://amylor.com/instruction-guides/>

**NOTE** - Any reference to a "Qualified Technician" throughout this Manual, is one that works with/for an **AMYLOR** authorized supplier/dealer.

## II. TABLE OF CONTENTS

<b>I. INTRODUCTION</b>	<b>2 - 3</b>
<b>II. TABLE OF CONTENTS</b>	<b>4</b>
<b>III. YOUR ALLTRACK HD SERIES POWER WHEELCHAIR &amp; ITS PARTS</b>	<b>5 - 6</b>
<b>IV. NOTICE - READ BEFORE USE</b>	<b>7 - 8</b>
<b>V. EMI (ELECTROMAGNETIC INTERFERENCE)</b>	<b>8 - 10</b>
Description, effects and sources of EMI	8 - 9
Distance from the EMI source	9
Immunity level	9 - 10
Report all suspected EMI incidents	10
EMI from power wheelchair	10
<b>VI. GENERAL WARNINGS</b>	<b>10 - 19</b>
Notice to occupants and assistants	10-11
Weight limit	11
Power module settings	11
EMI	12
Safety checklist	12
Customizations, changes & modifications	12
When seated in a parked power wheelchair	12
Environment, terrain and street use	12 - 13
Motor vehicle safety / Transit use	14
Center of Gravity	14
Transfers	15
Leaning or reaching	15 - 16
Dressing or changing clothes	16
Obstacles	16
Driving in reverse	17
Ramps, slopes & sidehills	17
To reduce the risk of falls, tip-over, or loss of control	17 - 18
Ramps at home/work and lifts	18 - 19
Curbs, stairs, and escalators	19
<b>VII. WARNINGS: COMPONENTS &amp; OPTIONS</b>	<b>20 - 24</b>
Armrests	20
Batteries	20
Cushion and sling seats	20
Fasteners	20
Foot platform/footplates	21
Freewheel release levers & brake release levers	21
On/Off switch	21
Pneumatic tires	21
Positioning belts	22
Push handles	22
Seating systems	22
Upholstery fabric	22
Power seating	23
Weight capacity for power options	24

<b>VIII. SET-UP, ADJUSTMENT &amp; USE</b>	<b>25 - 33</b>
Adjustments and tools needed	25
Battery use, cables, breaker reset, & removal	26
HD swing-away footrests	27
Manual & power elevating & articulating legrests (optional)	28
Center mount adjustment	28
Dual post height adjustable armrest	29
Signature cantilever and reclining armrest adjustment	30
Multi-axis headrest	31
Joystick adjustment	31 - 32
Freewheel & brake release levers	32
<b>IX. OPERATING GUIDE</b>	<b>33 - 43</b>
Joystick assembly and enhanced display	33
Locking or unlocking the joystick	34
Display settings for R-net color models	34 - 35
Performance control settings	35
Thermal roll-back	35
Power seating options	36 - 38
Power seating operation pictogram legend	39
Power seating operations through the joystick	40
Power seating activation	40 - 41
Single power activation	40
Multiple power activation	41
Storing power positions in memory	41 - 42
Troubleshooting guide for power seating	43
<b>X. BATTERIES</b>	<b>44 - 46</b>
Introduction	44
Battery charger	44 - 45
Battery connection	45
Charging batteries	46
Disposing of batteries	46
<b>XI. MAINTENANCE</b>	<b>47 - 49</b>
Notes and warnings	47
Cleaning	47
Disinfecting & reassigning a power wheelchair	48
Storage tips	48
Battery maintenance	48
Pneumatic tires	49
Ordering parts	49
Disposing of the wheelchair	49
Maintenance chart	49
<b>XII. ALLTRACK LIMITED WARRANTY</b>	<b>50</b>
<b>XIII. PRODUCT SPECIFICATIONS</b>	<b>51 - 52</b>

### III. YOUR ALLTRACK HD SERIES POWER WHEELCHAIR & ITS PARTS

#### MAXIMUM OCCUPANT WEIGHT FOR THIS WHEELCHAIR\*

The occupant weight capacity is limited to the indication on the maximum occupant weight label attached to the wheelchair's frame. Only one individual can occupy the wheelchair.

- Up to **550 lb (250 kg)**

*\*Weight capacity may vary depending on chosen options. Some restrictions may apply, refer to the appropriate Order Form.*

#### BATTERY CHARGER

- 8 amp off-board

#### DRIVE WHEELS

- 14" x 3" (355 mm x 75 mm)

#### CASTER FORK

- Standard - fixed height

#### CASTERS

- 8" (205 mm) pneumatic
- 8" (205 mm) pneumatic with foam-filled inserts

#### TIRE TYPE

- Standard pneumatic
- Optional with foam-filled insert

#### SEAT TILT (OPTIONAL)

- 45° CG tilt up to **550 lb (250 kg)** capacity

#### POWER RECLINE (OPTIONAL)

- Up to **550 lb (250 kg)** capacity
- 90° to 165° range

#### BATTERY TYPE/SIZE

- Two deep cycle batteries
- Group 24

#### SEAT TO FLOOR HEIGHT\*

- From 17" to 20" (430 mm to 510 mm)

*\*For very HD power tilt or very HD power tilt & very HD recline. Height may vary depending on chosen options. Please refer to appropriate order form.*

#### JOYSTICK MOUNT

- Standard fixed joystick (right or left hand mount)
- Height adjustable
- Optional swing-away mount with multi-axis adjustability

#### SIGNATURE SEAT WIDTH RANGE

- Adjustable from 20" to 25" (510-635 MM)
- Adjustable from 23" to 28" (585-710 MM)
- Custom width available

#### SIGNATURE SEAT DEPTH RANGE

- Adjustable from 18" and 24" (455 and 610 MM)
- Custom depth available

#### BACK CANE HEIGHT (FROM SEAT PAN)

- 16" to 28" (405 mm to 710 mm)

#### CONTOUR BACKREST

- From 20" to 28" wide (510 mm to 710 mm)
- From 16" to 28" high (405 mm to 710 mm) (Even numbers only)

#### BACK ANGLE (NON-RECLINING BACKREST)

- 86° to 110° in increments of 8°

#### SIGNATURE ARMRESTS\*

- Standard, Signature Cantilever (Non-Reclining back)
- Optional, Signature Reclining with Vertical Post
- Optional, Dual post

*\*All armrests are flip-back and/or removable and height adjustable.*

#### SIGNATURE FOOTREST

- Heavy-duty footrests  
Angle-adjustable from 60° & 70°
- Power elevating & articulating legrests  
Angle-adjustable from 70° to 10°
- Angle-adjustable footplates
- Heel loops
- Calf pads
- Adjustable knee to heel length

#### SIGNATURE CENTER MOUNTS

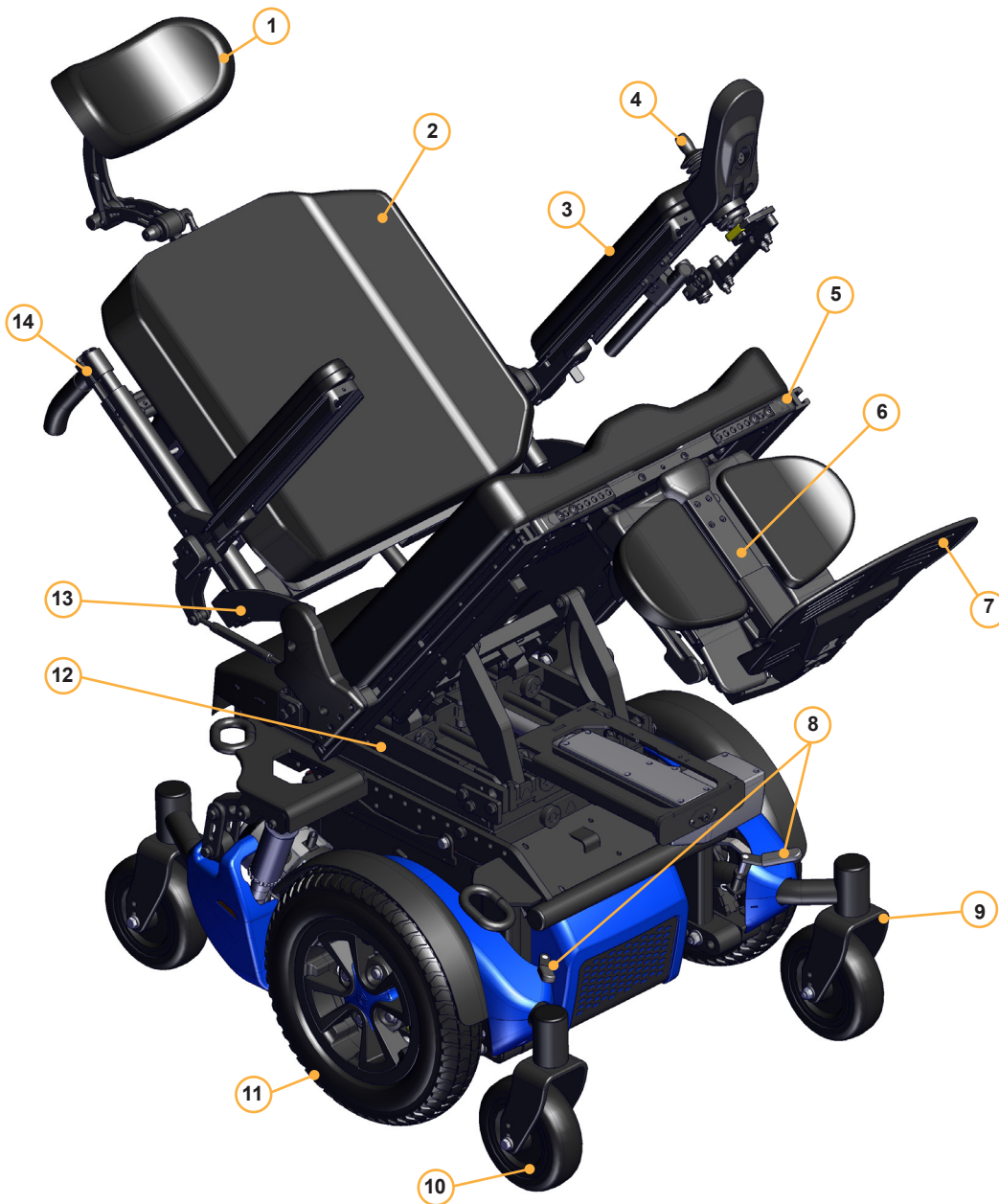
- Solid one-piece foot platform
- Angle-adjustable split footplates
- Very HD Power elevating & articulating foot platform
- Calf pads
- Adjustable knee to heel length

**NOTE** - Specifications may vary depending on your configuration.

**NOTE** - Some imperial measurements have been rounded to the nearest decimal and some metric measurements have been rounded to the nearest 5 millimeter.

### III. YOUR ALLTRACK HD SERIES POWER WHEELCHAIR AND ITS PARTS (CONTINUED)

- |                    |  |                  |
|--------------------|--|------------------|
| 1 - Headrest       | 7 - Foot Platform                              | 13 - Seat Frame  |
| 2 - Backrest       | 8 - Freewheel Release Levers (optional motors) | 14 - Push Handle |
| 3 - Armrest        | 9 - Caster Fork                                |                  |
| 4 - Joystick       | 10 - Caster Tire                               |                  |
| 5 - Seat Pan       | 11 - Drive Wheel                               |                  |
| 6 - Front Riggings | 12 - Base Frame                                |                  |



**NOTE** - All features may not be available with selected power wheelchair configurations or compatible with another feature. For additional details, please contact your authorized supplier who can also provide more information on accessories available.

## IV. NOTICE – READ BEFORE USE

---

### INTENDED USE

---

The **AMYLOR Alltrack** HD3 power wheelchair is a mobility device and can be equipped with complex power seating functions. This chair is designed to accommodate individuals living with spinal cord injury, spina bifida, cerebral palsy, multiple sclerosis and other conditions which limit mobility and infer long periods of stationary seated position.

### CHOOSING THE RIGHT POWER WHEELCHAIR & SAFETY OPTIONS

---

**AMYLOR** has a wide range of **Alltrack** power wheelchairs with different styles, sizes and settings to meet the individual's needs. Ultimately, the final selection of a wheelchair rests solely with you and your healthcare professional. The following individual characteristics must be considered when choosing a power wheelchair:

1. Height & weight (size), disability, strength and balance coordination.
2. Intended use and level of activity.
3. Type of hazards to overcome daily (areas likely used by the wheelchair).
4. Safety and comfort options (such as positioning belts or specialty seating systems).

### ADJUSTING POWER WHEELCHAIR TO YOUR ABILITY

---

Work with your doctor, nurse or therapist and your authorized supplier to ensure that your power wheelchair has the appropriate settings to suit your level of function and ability.

### REVIEW THIS OWNER'S MANUAL OFTEN

---

Before using this power wheelchair, you and each person who may assist you, should read this entire Owner's Manual and follow all instructions. Review all warning notices often until they become top of mind.

### CAUTION

---

Federal law restricts this device to sale by or on the order of a practitioner licensed by the law of the State in which he/she practices.


### WARNING

**AMYLOR** is not responsible for personal injury or property damage resulting in anybody failing to follow the warnings and instructions in this Owner's Manual. **AMYLOR** is not responsible for injuries or damage caused by misuse or lack of judgement.

### WARNINGS

---

The word "**WARNING**" refers to a hazard or unsafe practice that may cause severe injury or death to you or to other people. In this Manual, "**Warnings**" have been separated into four main sections as follows:

1.  **Section V. EMI** This section contains electromagnetic interference situations that you may encounter and how it affects your power wheelchair.
2. **Section VI. GENERAL WARNINGS** This section contains a safety checklist to follow and a description of various risks to be aware of prior to operating this power wheelchair.
3. **Section VII. WARNINGS – COMPONENTS & OPTIONS** This section contains descriptions of distinctive features for this power wheelchair. Discuss best options and settings with your authorized supplier and healthcare professional for maximum safety.
4. **Section X. BATTERIES** This section contains battery and charging safety to avoid injury.

**NOTE - Other "Warnings" will appear throughout this Owner's Manual as well as on the power wheelchair, where applicable. The following icons identify warnings and potential hazards to look for. It is important to read and understand all of these warnings.**

**⚠ WARNING**



These warnings must be followed. Not doing so, may cause personal injury or may damage the power wheelchair.

**⊘ PROHIBITED!**



These prohibited actions must NEVER be performed. Executing such actions may cause personal injury or damage to the power wheelchair.

**NOTE** - Notes are informative statements to help further explain actions, warnings or product detail.

**⚠ ESD**



Be aware that electrostatic discharge has the potential of damaging electronic components unless handled properly. The ESD icon prompts the occupant to refer to the proper related document to manage the situation.

## V. EMI (ELECTROMAGNETIC INTERFERENCE)

---

**⚠ WARNING**

Read all warnings to reduce the risk of unintended power wheelchair movement:

1. Beware of the danger from hand-held transceivers. NEVER turn on or use a hand-held transceiver while power to your wheelchair is on. Use extra care if you believe that such a device may be in use near your power wheelchair.
2. Be aware of nearby radio or TV stations, and avoid coming close to them.
3. If unintended movement occurs, turn your power wheelchair off as soon as it is safe.

### WHAT IS EMI?

---

**⚠ WARNING**

1. EMI means: electromagnetic (EM) interference (I). EMI comes from radio wave sources such as radio transmitters and transceivers. (A "transceiver" is a device that both sends and receives radio wave signals).
2. There are a number of sources of intense EMI in your daily environment. Some of these are obvious and easy to avoid while others are not, and you may not be able to avoid them.
3. Powered wheelchairs may be susceptible to electromagnetic interference (EMI) emitted from sources such as radio stations, TV stations, amateur radio (HAM) transmitters, and two way radios.
4. EMI can also be produced by conducted sources or electrostatic discharge (ESD).

### WHAT EFFECT CAN EMI HAVE?

---

**⚠ WARNING**

1. **EMI** can cause your power wheelchair, without warning, to:
  - Move by itself
  - Move in unintended directions

If any of these occurs, it could result in severe injury to you or others.

2. **EMI** can damage the control system of your power wheelchair. This could create a safety hazard, and lead to costly repairs.

## SOURCES OF EMI

---

### WARNING

The sources of **EMI** fall into three broad types:

#### 1. HAND-HELD TRANSCEIVERS

---

The antenna is usually mounted directly on the unit. These include:

- Citizens band (CB) radios
- "Walkie-talkies"
- Security, fire and police radios
- Laptop computers with phone or fax
- Other personal communication devices

#### 2. MEDIUM-RANGE MOBILE TRANSCEIVERS

---

**NOTE** - *These devices can transmit signals while they are on, even if they are not in use.*

These include two-way radios used in police cars, fire trucks, ambulances and taxi cabs. The antenna is usually mounted on the outside of the vehicle.

#### 3. LONG-RANGE TRANSCEIVERS

---

These include commercial radio and TV broadcast antenna towers and amateur (HAM) radios.

**NOTE** - *The following are not likely to cause EMI problems: laptop computers (without phone or fax), cordless phones, cell phones, TV sets or AM/FM radios, CD or tape players.*

## DISTANCE FROM THE SOURCE

---

### WARNING

EM energy rapidly becomes more intense as you get closer to the source. For this reason, EMI from hand-held devices is of special concern. (See **SOURCES OF EMI** above). A person using one of these devices can bring high levels of EM energy very close to your power wheelchair without you knowing it.

## IMMUNITY LEVEL

---

### WARNING

1. The level of EMI is measured in volts per meter (V/m). Every power wheelchair can resist EMI up to a certain level. This is called its "immunity level".
2. The higher the immunity level, the less the risk of EMI. It is believed that a 20 V/m immunity level will protect the power wheelchair occupant from the more common sources of radio waves.
3. The tested configuration that was found to be immune to at least 20 V/m is: **Alltrack** power wheelchair with a right-hand mounted remote joystick system, 18" (460 mm) seat width, 18" (460 mm) seat depth, dual post height adjustable armrests, fixed center mount legrest with one-piece solid footplate, and Group 24 gel cell batteries.
4. The following specialty input devices have an unknown effect on the immunity level because they have not been tested with the **Alltrack** and remote joystick module system:

### INPUT DEVICES

---

- |                                 |                       |
|---------------------------------|-----------------------|
| • Sip & puff                    | • Chin control        |
| • Proximity head array          | • Heavy duty joystick |
| • Proportional head control     | • Buddy button        |
| • Proportional compact joystick | • Micro Light switch  |
| • Proportional micro joystick   |                       |

**⚠ WARNING**

Individuals with physical limitations requiring the use of a specialty control input device known not to be immune to 20 V/m, should exercise extra care around known sources of EMI.

**⚠ WARNING**

There is no way to know the effect on EMI if you add accessories or modify this power wheelchair. Any change to your wheelchair may increase the risk of EMI. Parts not specifically tested or parts from other suppliers have unknown EMI properties.

## REPORT ALL SUSPECTED EMI INCIDENTS

---

**⚠ WARNING**

You should promptly report any unintended movement of your power wheelchair. Be sure to indicate whether there was a radio wave source near your power wheelchair at the time.

Contact: **AMYLOR's** Customer Service Department at (888) 453-0311.

## EMI FROM POWER WHEELCHAIR

---

**⚠ WARNING**

An electromagnetic field emitted by electronic components included in this power wheelchair may interfere with other electronic devices emitting a similar field, such as shopping mall alarm systems.

## VI. GENERAL WARNINGS

---

**⚠ WARNING**

Read all warnings in this section. If you do not comply with these warnings, a fall, tip-over or loss of control may occur and cause severe injury to you or others.

## NOTICE TO OCCUPANT AND ASSISTANTS

---

### OCCUPANT

---

**⚠ WARNING**

1. Before using this power wheelchair, you should be trained in its safe use by your health care professional.
2. Every power wheelchair is different. Take the time to learn the feel of this wheelchair before you begin using it.
3. Be aware that you must develop your own methods for the safe use of this wheelchair, which are best suited to your level of function and ability.
4. Have someone help you practice bending, reaching and transfers until you learn how to do them safely.
5. NEVER try a new maneuver on your own unless you are sure it is safe.
6. Get to know the areas where you plan to use your power wheelchair. Look for hazards and learn how to avoid them.
7. ALWAYS wear a positioning belt.
8. DO NOT use your power wheelchair if the joystick does not spring back to the neutral position.
9. DO NOT use your power wheelchair if the joystick rubber gaiter is ripped or damaged.
10. DO NOT try to tip your power wheelchair without an assistant present.

## OCCUPANT AND ASSISTANTS

---

### WARNING

1. When transferring the occupant in or out of the wheelchair, NEVER use the footplate as a platform.
2. DO NOT lift the power wheelchair by any parts that are removable as this may result in damage to the wheelchair or injury to the occupant.
3. ALWAYS keep your hands, any body parts and clothing clear of moving parts to prevent injuries.

## ASSISTANTS

---

### WARNING

Make sure you read all warnings and follow all instructions in each section of this Owner's Manual. Be aware that warnings that apply to the occupant also apply to you.

1. DO NOT stand or sit on any portion of the power wheelchair.
2. You need to work with the occupant, and the occupant's doctor, nurse or therapist, to develop safe methods best suited to your abilities and those of the occupant.
3. To manually push the power wheelchair you must disengage the freewheel or brake release levers:
  - Make sure the wheelchair is on level ground when levers are disengaged.
  - DO NOT engage or disengage freewheel/brake release levers unless power to the wheelchair is off. In addition, make sure you have full control over the wheelchair when disengaging the levers because the power wheelchair will not have braking ability.
  - Make sure both levers are completely engaged before turning power on to ensure proper control of the wheelchair.

**NOTE** - To engage or disengage freewheel release levers, you may have to *rock the wheelchair back and forth and/or push against the wheelchair while moving the lever.*

4. Propel this power wheelchair by the push handles only. They provide secure points for you to hold onto at the rear of the wheelchair to prevent a fall or tip-over.
  - Check to make sure push handle grips will not rotate or slip off.

## WEIGHT LIMIT

---

### WARNING

1. The occupant and items carried should NEVER exceed the total weight capacity identified on your power wheelchair.
2. NEVER use this power wheelchair for weight training if the total weight (occupant and additional weights) exceeds weight capacity.
3. Exceeding the weight limit is likely to damage the seat, power seating options, frame, or fasteners and may cause severe injury to you or others around the damaged wheelchair.
4. Exceeding the weight limit will void the warranty.

## POWER MODULE SETTINGS

---

### WARNING

If your environment or your level of function and ability change, you may need to get the settings on your wheelchair's power module adjusted. Your authorized supplier is best suited to adjust these settings.

Contact your authorized supplier to adjust the power module settings immediately if you notice any change in your ability to:

- Control the joystick
- Hold your torso erect
- Avoid running into objects.

## EMI

### WARNING

Read **Section V** on EMI on page 8, to reduce the risk of unintended power wheelchair movement:

1. NEVER turn on or use a hand-held transceiver while power to your wheelchair is on. Use extra care if you believe that such a device may be in use near your power wheelchair.
2. Be aware of nearby radio or TV stations, and avoid coming close to them.
3. If unintended movement occurs, turn your power wheelchair off as soon as it is safe.

## SAFETY CHECKLIST

### WARNING

### BEFORE EACH USE

1. Make sure the power wheelchair operates smoothly. Check for noise, vibration, or a change in ease of use. (These may indicate low tire pressure, loose fasteners, or damage to your wheelchair).
  - If you detect a problem, make sure to repair or adjust the wheelchair. Your authorized supplier can help you find and correct the problem.
2. Make sure batteries are charged. Green lights on charge indicator will light up when charge is full. Yellow lights indicate battery charge level is getting low. Red lights indicate batteries are in immediate need of charging.
3. When not in use, keep your power wheelchair in a clean, dry place.

## CUSTOMIZATIONS, CHANGES & MODIFICATIONS

### PROHIBITED!

NEVER make any customizations, changes or modifications to any part of your **Alltrack** power wheelchair unless explicitly authorized by **AMYLOR**. Doing so will void the warranty and may create a safety hazard.

### WARNING

Adding accessories manufactured by any other third-party manufacturer without prior approval by **AMYLOR** will void the warranty and may create a safety hazard as these accessories haven't been tested or approved by **AMYLOR**.

1. Customizing, changing or modifying your **Alltrack** power wheelchair may increase the risk of a fall or tip-over.
2. Modifications not authorized by **AMYLOR**, constitute remanufacturing of the power wheelchair and will void the warranty. The occupant then assumes all future liability for the power wheelchair.

## WHEN SEATED IN A PARKED POWER WHEELCHAIR

### WARNING

1. ALWAYS turn off all power to your wheelchair when you are parked, even for a moment. This will prevent:
  - Accidental movement from contact with the joystick by you or others.
  - Unintended movement from EMI sources. (See **Section V** page 8).
2. Make sure that people who help you (for example, store clerks) are aware of the joystick and DO NOT touch it. If they do, your wheelchair may move suddenly when you do not expect it.

## ENVIRONMENTAL CONDITIONS

### WARNING

Your power wheelchair is not designed for use in a heavy rain storm, or in snowy or icy conditions.

1. Contact with water or excessive moisture can cause an electrical malfunction. The frame, motors and other parts are not water-tight and may rust or corrode from the inside.

## TO AVOID A MALFUNCTION

---

- Minimize exposure of your power wheelchair to rain or very wet conditions.
  - NEVER take your power wheelchair into a shower, tub, pool or sauna.
  - DO NOT use your power wheelchair in fresh or salt water (such as at the edge of a stream, lake, or ocean).
  - Make sure the battery protective covers are secured.
  - Replace joystick rubber gaiter if it becomes torn or cracked.
  - Make sure all electrical connections are secure.
  - Dry the wheelchair as soon as you can if it gets wet, or if you use water to clean it.
2. Proceed slowly and use extra care if you must operate your power wheelchair on a wet or slick surface.
    - When in doubt, have someone help you.
    - Do so only if you are sure it is safe.
    - Stop if one or both main wheels lose traction. If this occurs, you may lose control of your wheelchair or fall.
    - NEVER operate your wheelchair on a slope or ramp if there is snow, ice, water or an oil film present.
  3. When the wheelchair is exposed to external sources of heat (e.g. sunlight) for an extended period of time, the temperature of the chair's components and surfaces will increase. Proceed with caution.

### **WARNING**

Extra caution should be used when employing the Micro Light switch or the proximity head array as control devices. These two devices are susceptible to malfunction when wet.

## TERRAIN

---

### **WARNING**

1. This power wheelchair will perform at optimum on firm, even surfaces such as concrete, asphalt and indoor flooring.
2. Although equipped with suspension, the performance can be substantially reduced on uneven surfaces and rough terrain. To prevent the wheelchair from tipping over, it is essential to keep all wheels on an even, hard surface of the same consistency and height. Engaging one or more wheels on an uneven surface or of different consistency or softness increases the risk of tipping and could cause serious injury or death.
3. DO NOT operate the power wheelchair on sand, loose gravel or soil. Doing so may damage wheels, bearings, axles, motors or loosen fasteners.
4. The use of this chair among tall grass presents a fire hazard, as they can wrap around the motor output shaft, creating friction that can ignite the vegetation. Moreover, in these more demanding conditions, there is a risk of motor overheating. Combined with prolonged contact with vegetation, this increases the risk of ignition, which can lead to fire. Always avoid areas with tall grass, which can cause a fire, possibly resulting in serious injury or death.

## STREET USE

---

### **WARNING**

In some areas, power wheelchairs are not legal for use on public roads. Be alert to the danger of motor vehicles on roads or in parking lots.

1. DO NOT operate this power wheelchair on any roads that do not allow non-motor vehicle traffic.
2. When visibility is limited by either darkness or weather conditions, DO NOT operate the power wheelchair on any roadways.
3. It may be hard for drivers to see you. Make eye contact with drivers before you proceed. When in doubt, yield until you are sure it is safe.

## MOTOR VEHICLE SAFETY, TRANSPORT AND TRANSIT USE

---

### **WARNING**

This power wheelchair has been manufactured with built-in transport brackets. These standard transport brackets are used to secure an unoccupied power wheelchair in a motor vehicle.

### **TRANSPORTING A POWER WHEELCHAIR (UNOCCUPIED)**

---

1. NEVER allow anyone to sit in the wheelchair while it is secured in a moving vehicle.
2. ALWAYS remove all accessories from the wheelchair before securing it for transport.
3. ALWAYS ensure that the wheelchair is well secured using straps for all built-in 4-point transport brackets. Tighten straps so that the wheelchair does not roll or shift.
4. DO NOT use a power wheelchair that has been involved in a motor vehicle accident.

### **TRANSIT USE IN ACCORDANCE WITH ISO 7176-19 (OCCUPIED)**

---

It is generally safest for wheelchair occupants to transfer into the vehicle seat and use the vehicle seatbelt system or a child safety seat that complies with federal safety standards. The wheelchair should then be stored and secured in the vehicle. If transferring is not feasible or practical, it is very important to secure the wheelchair to the vehicle facing forward and to use crash-tested seatbelts for the wheelchair-seated rider.

**NOTE** - For more information on *Wheelchair Tie-down and Occupant Restraint Systems approved by the ISO 7176*, please refer to the *Power Wheelchair Transportation Safety Guidance* document on our website under *Support/For Occupants/Owner's Manuals*. Or scan this QR code.



## CENTER OF GRAVITY (CG)

---

### **WARNING**

The point where a power wheelchair will tip forward, back, or to the side depends on its center of gravity and stability. The center of gravity is affected by:

1. The seat height and seat angle.
2. A change in your body position, posture or weight distribution.
3. Using the wheelchair on a ramp or slope.
4. The use of a back pack or other options, and the amount of added weight.
5. Drive wheel positioning.

### **WARNING**

- Elevating, tilting and legrest adjustments can affect the wheelchair centre of gravity. Under certain conditions this might cause instability that could lead to unintentional tipping causing personal injury to the occupant and/or the people nearby.
- Stopping distances on slopes can be significantly longer than on level ground.

### **ADJUSTING CG**

---

ALWAYS consult a professional if your **Alltrack** needs adjusting.

### **TO REDUCE THE RISK OF FALL OR TIP-OVER**

---

**Whenever a condition exists that may change the CG:**

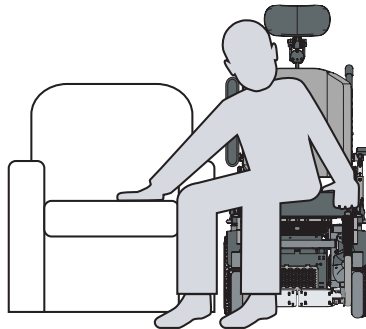
- Reduce speed, proceed cautiously and when in doubt, ALWAYS have someone help you.
- Consult a profession to have your **Alltrack** serviced.

## TRANSFERS

### **⚠ WARNING**

It is dangerous to transfer on your own. It requires good balance and agility. Be aware that there is a point during every transfer when the wheelchair seat is not below you. To prevent a fall:

1. ALWAYS turn off power before you transfer to or from your wheelchair. If you leave the power on, you may touch the joystick and cause your wheelchair to move when you do not expect it.
2. Make sure freewheel release levers are engaged. This keeps the power wheelchair from moving when you transfer.
3. Work with your health care professional to learn safe methods.
4. Learn how to position your body and how to support yourself during a transfer. (See Fig.1 for recommended transfer position).
5. Have someone help you until you are sure you can safely transfer on your own.
6. Move your wheelchair as close as you can to the seat you are transferring to. If possible, use a transfer board.
7. Rotate the front casters until they are as far forward as possible.
8. Be careful of the footrests. If you can, remove or swing them out of the way.
9. NEVER stand on foot platform/footplate(s) when you transfer. Doing so may damage them or cause your wheelchair to tip.
10. Make sure your feet do not get hooked on or caught in the space between the footplates.
11. Make sure armrests do not interfere.
12. Transfer as far back onto the seat surface as you can. This will reduce the risk that you will miss the seat or fall.



*Figure 1. Use caution when transferring to and from your wheelchair.*

## LEANING OR REACHING

### **⚠ WARNING**

Leaning or reaching affects the center of gravity of your power wheelchair. If done improperly, a fall or tip-over is likely. When in doubt, ask for help or use a device to extend your reach.

### **TO REDUCE THE RISK OF INJURY AND/OR DAMAGE**

1. NEVER reach or lean if you must shift your weight sideways or rise up off the seat.
2. NEVER reach or lean if you must move forward in your seat to do so. ALWAYS keep your buttocks in contact with the backrest.
3. NEVER reach with both hands (you may not be able to catch yourself to prevent a fall if you lose your balance).
4. NEVER try to pick up an object from the floor by reaching down between your knees.
5. NEVER put pressure on the footboard while reaching.
6. NEVER reach or lean over the top of the seat back. This may damage the backrest and cause you to fall.

**⚠ WARNING**

**IF YOU MUST REACH OR LEAN, DO SO AT YOUR OWN RISK.**

**REMEMBER TO**

1. Move your wheelchair as close as you can to the object you wish to reach.
2. Rotate the front casters until they are as far forward as possible. This makes the wheelchair more stable.

**NOTE** - *To do this, move your power wheelchair past the object you want to reach then back up alongside it. Backing up will rotate the casters forward.*

3. Turn off all power to your wheelchair. If you leave it on, you may touch the joystick and cause your wheelchair to move when you do not expect it.

**DRESSING OR CHANGING CLOTHES**

**⚠ WARNING**

Be aware that your weight will shift if you dress or change clothes while seated in the wheelchair. To make the power wheelchair more stable, rotate the front casters until they are forward.

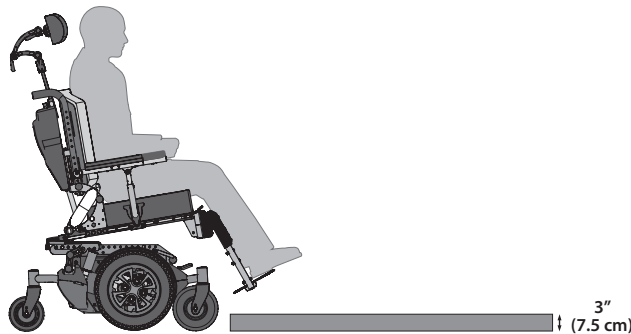
NEVER dress or change clothes when elevated, tilted or reclined in the wheelchair.

**OBSTACLES**

**⚠ WARNING**

Obstacles you may have to overcome daily include door thresholds, lifts, ramps and hazards such as potholes and broken pavement. (Fig.2). These can damage your power wheelchair and may cause a fall, tip-over or loss of control.

1. Be aware that thresholds are very dangerous. (Even a small change in height may stop a caster wheel and cause your wheelchair to tip). You may need to:
  - Remove or cover threshold strips between rooms.
  - Install a ramp at entry or exit doors.
2. Keep your eyes moving when you move around; scan the area well ahead of your wheelchair.
3. Make sure the floor areas where you use the wheelchair are level and free of obstacles.
4. To overcome an obstacle, tilt the seat back to allow the footrest to rise over the obstacle. If the wheelchair is not equipped with a power tilt and the footrest does not rise over the obstacle, an option is to overcome the obstacle in reverse. This should be done with the supervision of a caregiver.



**Figure 2.** Never try to climb an obstacle greater than 3" (75 mm) with 8" (205 mm) casters.

## DRIVING IN REVERSE

### **⚠ WARNING**

Use extra care when you operate your power wheelchair in reverse. You may lose control or fall if one of the rear wheels hits an object.

1. Operate your wheelchair slowly and at an even speed.
2. Stop often and check to make sure your path is clear of obstacles.

## RAMPS, SLOPES & SIDEHILLS

### **⚠ WARNING**

The center of gravity of your power wheelchair changes when you are on a slope.

**NOTE** - "Slope" includes a ramp or hillside. Your wheelchair is less stable when it is at an angle. NEVER use it on a slope unless you are sure it is safe. When in doubt, have someone help you.

### BEWARE OF

1. Steep slopes. DO NOT use this power wheelchair on a slope steeper than 10° (17.6%). (Fig.3)
2. Wet or slippery surfaces (ice, snow, water or oil film). A loss of traction may cause a fall or tip-over.
3. A change in grade on a slope (or a lip, bump or depression). These may cause a fall or tip-over.
4. A drop-off at the bottom of a slope. (A drop-off of as small as 0.75" (20 mm) can stop a front caster and cause the wheelchair to tip forward).



*Figure 3. Do not use power wheelchair on slope steeper than 10°.*

## TO REDUCE THE RISK OF A FALL, TIP-OVER OR LOSS OF CONTROL

### **⚠ WARNING**

1. NEVER use your power wheelchair on a slope unless you are sure you can do so without losing traction.
2. ALWAYS go as straight up and as straight down as you can. (Fig.4).
  - DO NOT "cut the corner" on a slope or ramp.
  - DO NOT turn or change direction on a slope.
3. ALWAYS stay in the center of the ramp. Make sure ramp is wide enough that you are not at risk that a wheel may roll off the side.

4. Keep your power wheelchair moving at a slow, steady speed. Keep control at all times.
  - On a descent, DO NOT let your power wheelchair accelerate beyond its normal speed.
  - If the power wheelchair picks up speed, center the joystick to slow down or stop.

**NOTE** - *The solid state power module has a logic system that will help control your speed when driving on a slope or uphill.*

- Should you be required to stop on a slope, please re-start slowly.



**Figure 4.** Do not turn on a slope.

## RAMPS AT HOME AND WORK

### WARNING

Before driving on a ramp, return to a seating position and survey the condition of the ramp. On slippery ramps traction may be reduced causing your wheelchair to slide.

### WARNING

Make sure ramps meet all Building Codes for your area.

For your safety, have a licensed contractor build or remodel a ramp to meet all standards.

**NOTE** - *The proper design will vary, depending on such things as: the length and height of the ramp; the need for an intermediate platform; landing size; doors, and the direction of swing, and; whether the ramp includes a turn or angle.*

## WHEELCHAIR LIFTS

### WARNING

Wheelchair lifts are used in vans, buses, and buildings to help you move from one level to another.

1. ALWAYS return the wheelchair in the neutral position (See Fig.5)
2. ALWAYS turn off all power to your wheelchair when you are on a lift. If you leave it on, you may touch the joystick by accident and cause your wheelchair to drive off the platform. (Be aware that a "roll-stop" at the edge of the platform may not prevent this).
3. Make sure there is not a lip or drop-off at the top or bottom of the platform. These may cause a fall or tip-over. When in doubt, have someone help you.
4. ALWAYS position the occupant securely in the wheelchair to help prevent falls while on a moving lift.
5. Avoid moving forward if a wheel is caught on the lip of the ramp. Backup, reposition the caster for a more direct approach, and slowly try again.

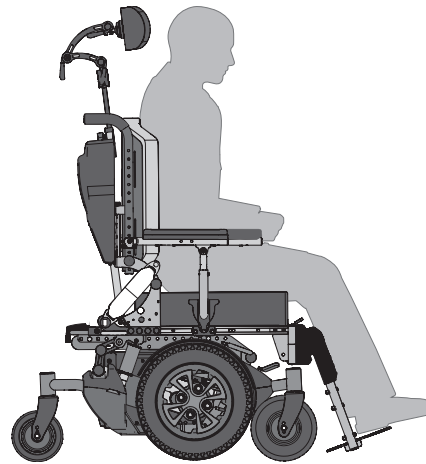


Figure 5. The neutral position.

## CURBS & SINGLE STEPS

### **⚠ WARNING**

1. It is recommended to ALWAYS use a ramp or a curb cut when climbing and/or descending a curb, single step, or other obstacle.
2. If you must climb or descend a curb, single step, or other obstacle that is greater than 2.5" (65 mm), it is recommended to have a person assist you.
3. NEVER should you try to climb a curb, single step, or other obstacle greater than 3" (75 mm) high. (See Fig.2 in **Section OBSTACLES** on page 16).
4. If you must climb or descend a curb or step alone, do so at your own risk using extreme care and following this procedure:
  - Proceed slowly, at a steady speed
  - Go as straight up or down as you can over the obstacle. (Fig. 6).
  - NEVER turn when trying to climb or descend an obstacle, doing so may result in a fall or tip-over.

### NOT FOLLOWING THE ABOVE PROCEDURES MAY CAUSE

- A fall or tip-over
- Damage to the frame, wheels, axles or other parts, or loosen fasteners.

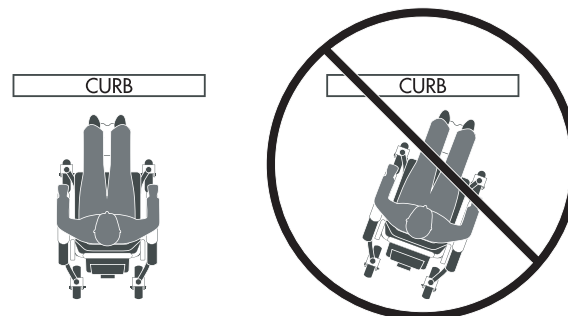


Figure 6. Moving straight up or down a curb cut.

## STAIRS

### **⊘ PROHIBITED!**

NEVER use this power wheelchair to go up or down stairs, even with an assistant. Doing so is likely to cause a fall or tip-over.

## ESCALATORS

### **⊘ PROHIBITED!**

NEVER take this power wheelchair on an escalator, even with an assistant. Doing so is likely to cause a fall or tip-over.

## VII. WARNINGS: COMPONENTS & OPTIONS

---

### WARNING

**NOTE** - Using parts or making changes without prior authorization from AMYLOR may create a safety hazard and will void the warranty.

### ARMRESTS

---

#### WARNING

- Armrests will not bear the weight capacity of this power wheelchair
- Armrests are not intended to bear weight during transfers. Do not use them to support yourself while transferring or rising from the seat, as this may result in equipment damage or personal injury.

#### PROHIBITED!

NEVER lift the wheelchair by its armrests. They may come loose or break.

### BATTERIES

---

#### WARNING

ALWAYS wear rubber gloves and safety glasses when you handle batteries.

#### PROHIBITED!

NEVER smoke or hold an open flame near batteries. This is a known explosion hazard.

#### WARNING

1. Only deep cycle sealed case construction batteries should be used in this device.
2. Read the **REMOVING THE BATTERIES for transporting or servicing Section** on page 26 and all of **Section X. BATTERIES** on pages 44-46 before attempting to change, or charge batteries.

### CUSHIONS AND SLING SEATS

---

#### WARNING

1. Standard foam cushions and other body supports are not designed to relieve pressure.
2. If you suffer from pressure sores, or if you are at risk that they will occur, you may need a special seat system or a device to control your posture.
3. Consult your doctor, nurse or therapist to find out if you need such a device for your well-being.

### FASTENERS

---

#### WARNING

Many of the screws, bolts and nuts on this power wheelchair are special high-strength fasteners. Use of improper fasteners may cause malfunction.

1. Only use fasteners provided by **AMYLOR**.
2. If fasteners become loose, tighten them immediately.
3. Over- or under-tightened fasteners may fail or cause damage to parts.
4. See **Section VIII. SET-UP, ADJUSTMENT & USE**.

## FOOT PLATFORM/FOOTPLATES

### WARNING

1. At the lowest point, the foot platform/footplates should be at least 1" (25 mm) off the ground. If set too low, they may get caught on obstacles you can expect to find normally. This may cause the wheelchair to stop suddenly and tip forward.
2. **TO AVOID A TRIP OR FALL WHEN YOU TRANSFER**
  - Make sure your feet do not get hooked on or get caught in the space between the footplates.
  - Avoid putting weight on the foot platform/footplates, as the wheelchair may tip forward.
  - If it is possible, remove footrests or move foot platform out of the way when transferring.
3. The foot platform/footplates should ALWAYS be down when operating the wheelchair.

### PROHIBITED!

NEVER lift this power wheelchair by its foot platform/footplates. These detach and will not bear the weight of the wheelchair. Lift it only by non-detachable parts of the main frame.

## FREEWHEEL RELEASE LEVERS & BRAKE RELEASE LEVERS

### WARNING

1. DO NOT engage or disengage freewheel/brake release levers unless power to the wheelchair is off. In addition, make sure both levers are completely engaged before turning the power on to ensure proper control of the wheelchair.
2. Make sure that the person pushing the wheelchair has full control when disengaging the levers because the power wheelchair will not have braking ability.
3. Make sure that the wheelchair is on level ground when levers are disengaged.

**NOTE** - *To engage or disengage levers, you may have to rock the wheelchair back and forth and/or push against the wheelchair while moving the lever.*

## ON/OFF SWITCH

### WARNING

1. NEVER use the ON/OFF switch to stop the power wheelchair except in an emergency. This will result in an abrupt stop, and may cause a fall.
2. To slow your power wheelchair to a stop, return the joystick to neutral.

## PNEUMATIC TIRES

### WARNING

Proper inflation extends the life of your tires and makes your power wheelchair easier to use.

1. DO NOT use this power wheelchair if any of the tires are under- or over-inflated. Check weekly for proper inflation level, as listed on the tire sidewall.
2. Low pressure in a tire may cause the wheelchair to veer to one side and result in a loss of control.
3. An over-inflated tire may burst.
4. NEVER use a gas station air pump to inflate a tire. Such pumps provide air at high volume, and could cause the tire to burst. To prevent tire damage:
  - Use a hand pump (or low volume air pump) to inflate tires.
  - Use a tire gauge to check pressure.
5. Driving over sharp objects may cause damage to pneumatic tires and tubes.

## POSITIONING BELTS

---

### WARNING

The positioning belt must be worn at all times and used exclusively for postural support. Failure to fasten the belt or improper use may result in serious injury or death.

1. Ensure that the occupant cannot slide under the belt or out of the seat under any circumstances. Sliding downward may expose the occupant to a risk of chest compression or suffocation caused by pressure from the belt.
2. The addition of a pelvic wedge or similar device may be necessary to help maintain a safe seated position. Consult a healthcare professional to determine whether such equipment is required.
3. The belt must be securely fastened, but not so tight that it interferes with breathing. To check proper adjustment, you should be able to slide your open hand flat between the belt and the occupant's body.
4. The occupant must be able to easily release the positioning belt in case of emergency.

## LIMITATIONS OF USE

---

Positioning belts are intended for postural support only. Never use them in the following situations, as this may result in serious injury or death:

- **Motor vehicle transport:** This positioning belt does not replace an approved motor vehicle seat belt. In the event of a collision or sudden stop, it will not prevent the occupant from being ejected from the wheelchair and may cause serious injury due to compression.
- **Restraint:** Use of this belt to restrict a person's freedom of movement is strictly regulated and requires a physician's order.
- **Specific health conditions:** This belt must not be used on a person who is comatose, unconscious, or experiencing severe agitation that could compromise their safety.

## OPTIONAL PUSH HANDLES

---

### WARNING

1. Push handles provide secure points for an assistant to propel and control the power wheelchair. This helps to prevent a fall or tip-over.
2. If push handles are installed, ensure they are fully and correctly secured, and that the grips do not rotate or slip off.

## SEATING SYSTEMS

---

### WARNING

1. Use of a seating system not approved by **AMYLOR** may alter the center of gravity of this power wheelchair. This may cause a fall or tip-over.
2. ONLY a qualified technician from an authorized supplier can modify the wheelchair's seating system. Qualified technicians must make sure that there is no potential for pinched wires throughout the entire movement when operating the power positioning options. Pinched wires can cause damage to the wheelchair's electrical system and may result in damage and/or injury.
3. NEVER raise your seating system to a height of more than 22" (560 mm) (measuring from the front of the seat pan to the floor).

## UPHOLSTERY FABRIC

---

The upholstery has been tested according to the CAL 117 standard.

### WARNING

1. Replace worn or torn fabric of seat sling, seat cushion and seat back as soon as you can. If you do not, the seat may fail and cause you to fall. Worn fabrics may increase the potential for a fire hazard.
2. Sling fabric will deteriorate with age and use. Look for fraying, thin spots, or stretching of fabric at rivet holes. Replace fabric as required.
3. Be aware that washing may reduce flame retardation of the fabric.

## POWER SEATING

---

### **WARNING**

#### 1. OPERATION

---

- Use caution when operating the power wheelchair in the reclined, elevated or tilted positions.
- DO NOT attempt to operate power seating options while in motion or positioned on an incline.
- DO NOT attempt to operate power seating options around children, pets or animals.
- Through programming, it is possible to reverse the direction of all power seating functions. Ensure you know which direction your seat is going to move before operating.

#### 2. DRIVE LOCK-OUT

---

Drive lock-out is a safety feature designed to prevent the power wheelchair from being driven while in a power tilt angle over 15° relative to 21°.

#### 3. PINCH POINTS

---

Pinch points may occur when operating power seating options. Ensure that hands, any body parts and clothing are clear of all power seating components that may get stuck between moving parts before operating them. Not doing so may lead to personal injury and/or equipment damage.

#### 4. TILTING POWER BASE WITH PUSH HANDLES

---

DO NOT attempt to tilt the power wheelchairs by pulling down on the push handles. Power wheelchairs have heavy bases. As such, attempting to tilt a power wheelchair to traverse obstacles can damage components in the seating system and/or actuators.

#### 5. REMAIN CLEAR DURING POWER ACTUATOR OPERATION

---

Please stay clear of any actuator while it is in motion. Power components move over large travel ranges. Occupants should be aware of their surroundings while in motion.

#### 6. MAXIMUM OCCUPANT WEIGHT

---

DO NOT exceed the weight capacity of your power wheelchair or seating system configuration. Doing so could result in premature break down or injury, and will void the warranty of your power wheelchair.

#### 7. LATCH MODE

---

Use caution while operating power seating function in latched mode. In latch mode, powered seating will not stop until a reverse command is performed, the end of travel is met, or latch times out.

#### 8. TIPPING RISK WHEN DRIVING WITH SEAT FUNCTIONS IN USE

---

When operating the seat functions, the center of gravity is also shifted, increasing the risk of tipping over. Make sure the power wheelchair is on a level surface before activating power seating options.

Always drive in the lowest speed and never tilt the seat or back so far that the wheelchair cannot be maneuvered safely.

#### 9. POWER SEATING OPTIONS

---

- a) Seat tilt
- b) Backrest recline
- c) Elevating & articulating separate legrests
- d) Elevating & articulating center mount

## WEIGHT CAPACITY FOR POWER OPTIONS

---

### POWER TILT

**⚠ WARNING**

**NOTE - (Pinch Point)** - Avoid putting hands or fingers near the power tilt mechanism while in operation.

The powered center of gravity (CG) tilt accessory for this power wheelchair has a maximum occupant weight capacity of **550 lb (250 kg)**.

NEVER exceed the specified weight capacity for your configuration.

### POWER RECLINE

**⚠ WARNING**

**NOTE - (Pinch Point)** - Avoid putting hands or fingers near the power recline mechanism while in operation.

The maximum occupant weight capacity for the power recline is from **300 lb** up to **550 lb (250 kg)**.

NEVER exceed the specified weight capacity for your configuration.

### POWER ELEVATING & ARTICULATING LEGRESTS

**⚠ WARNING**

**NOTE - (Pinch Point)** - Avoid putting hands or fingers near the power legrests mechanism while in operation.

The power legrests for this power wheelchair has a maximum occupant weight capacity of up to **550 lb (250 kg)**.

NEVER exceed the specified weight capacity for your configuration.

### POWER ELEVATING & ARTICULATING CENTER MOUNT

**⚠ WARNING**

**NOTE - (Pinch Point)** - Avoid putting hands or fingers near the power center mount mechanism while in operation.

The power center mount for this power wheelchair has a maximum occupant weight capacity of up to **550 lb (250 kg)**.

NEVER exceed the specified weight capacity for your configuration.

**⚠ WARNING**

NEVER exceed the maximum weight capacity of any of these functions for your power wheelchair configuration. This can lead to injury and/or damage to the equipment.

## VIII. SET-UP, ADJUSTMENT & USE

---

### ADJUSTMENT AND USE

---

#### 1. WORK SURFACE FOR SET-UP

Use a flat surface, such as a table, to assemble, adjust and check the power wheelchair. This makes the steps easier and helps ensure a correct set-up.

#### 2. FASTENERS

- Many of the screws and bolts on this power wheelchair are special high-strength fasteners and may have special coatings.
- Many nuts are of the nylon insert lock nut type. They have a plastic insert to help prevent loosening.
- Only use screws, bolts and nuts provided by **AMYLIOR**.

#### **WARNING**

1. Use of improper fasteners may cause the power wheelchair to malfunction.
2. Over- or under-tightened fasteners may fail or cause damage to power wheelchair parts.
3. If bolts or screws become loose, tighten them as soon as you can. Loose bolts or screws can cause damage to other parts causing them to fail.
4. All cables should be positioned so they are protected from possible impacts after any modifications. Avoid pinch points when routing cables and do not over-tighten cable ties when attaching them. Replacement or repositioning of cables should be performed by a qualified technician.
5. All adjustments must be performed by a qualified technician.

#### 3. WASHERS AND SPACERS

- Note the position of washers and spacers before disassembly.
- To avoid damage to the frame, replace all washers and spacers when you reassemble parts.

## TOOLS YOU WILL NEED

---

### BASIC TOOL KIT

To set-up, adjust and maintain your power wheelchair you may need the following tools:

- Phillips and Robertson #3 (square) screwdrivers
- Metric wrenches from 8 mm to 13 mm
- Metric Allen wrenches from 3 mm to 6 mm
- Imperial wrenches from 1/4" to 9/16"
- Imperial Allen wrenches from 5/64" to 1/4"
- Imperial socket from 7/16" to 3/4"
- Metric socket 13 mm
- Ratchet

**NOTE** - These tools can be found in common hardware stores.

## BATTERY USE (Fig.1-2)

### BATTERY CABLE

Your **Alltrack** is equipped with a safety mechanism which uses a breaker.

**NOTE** - In the unlikely event of a short circuit or heavy overload, all power to your wheelchair will be shut off. To reset your wheelchair, press the breaker button. Should resetting the breaker not solve the problem, you may need to replace the battery harness.

#### 1. TO RESET THE BREAKER AND ACCESS THE BATTERY HARNESS (Fig.1-2)

- a) Squeeze tabs together to open the door.
- b) Drop the panel down and pull out the batteries (A).
- c) Reset the breaker or replace the battery harness by following the wiring instructions located inside the battery access door.
- d) Push the batteries back in the compartment.
- e) Lock the panel back in its upright position and make sure the tabs are secured on each side of the battery compartment.

#### REPEATED SHUTDOWN:

If the power wheelchair continues to pop the breaker, please have it serviced by your authorized supplier.

**NOTE** - The breaker is on the inside of the battery compartment.

#### 2. REMOVING THE BATTERIES FOR TRANSPORTING OR SERVICING (Fig.1-2)

- a) Push tabs together towards the center to release door (A).
- b) Drop panel (B).
- c) Carefully pull battery pack until cable connection is accessible.
- d) Disconnect and pull battery pack to full deployment to remove it.
- e) Lift the battery pack from the compartment using the battery carrying straps.
- f) Repeat operation in reversed steps to put the batteries back in.

#### WARNING

Batteries may weigh up to 55 lb (25 kg) each. Care must be taken to avoid injury when lifting.

**NOTE** - For battery connection, please refer to the diagram on page 45.

Fig.1

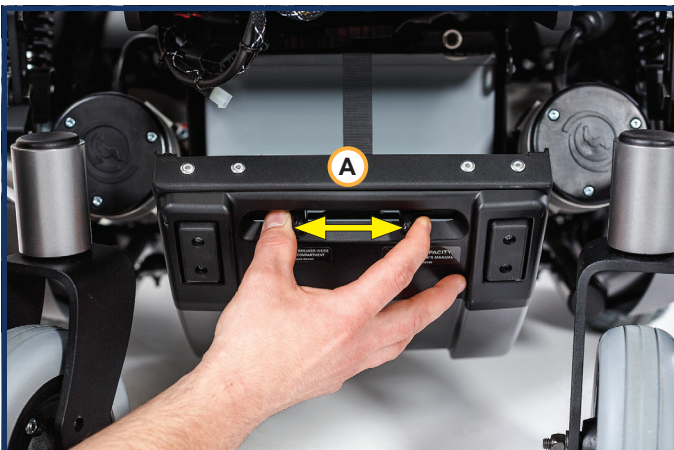


Fig.2



## HD SWING-AWAY FOOTRESTS (Fig.1-3)

### 1. INSTALLATION (Fig.1)

- a) Place legrest pivot pin (A) into the locating hole on top of the receiver with the footrest facing outward from frame.
- b) Rotate the footrest inward (B) until latch plate locks into place.

### 2. REMOVAL (Fig.2-3)

- a) To remove footrest, press quick-release lever (C).
- b) Rotate footrest outward (D) and lift footrest from receiver (E).

Fig.1

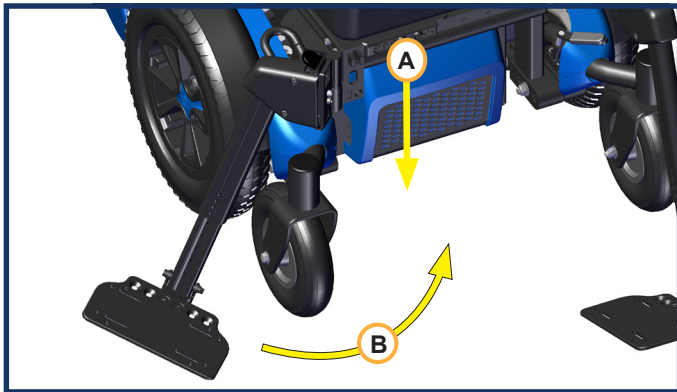
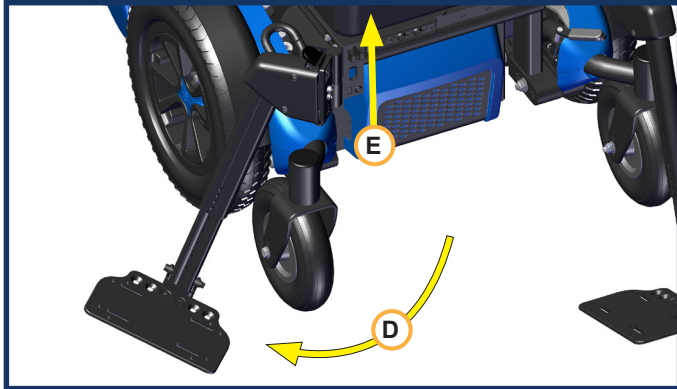


Fig.2



Fig.3



**⚠ WARNING:**

To prevent potential injuries, ensure your feet remain securely positioned on the footplate. Consider using straps as an additional precautionary measure. Neglecting to do so may lead to unintended slipping or displacement of your feet, posing a risk to your safety during use.

## MANUAL & POWER ELEVATING & ARTICULATING LEGRESTS (OPTIONAL) (Fig.4-6)

### 1. INSTALLATION (Fig.4)

- a) Place legrest pivot pin (A) into the locating hole on top of the receiver with the footrest facing outward from frame.
- b) Rotate the footrest inward (B) until latch plate locks into place.

### 2. REMOVAL (Fig.5-6)

- a) To remove footrest, press quick-release lever (C).
- b) Rotate footrest outward (D) and lift footrest from receiver (E).

Fig.4

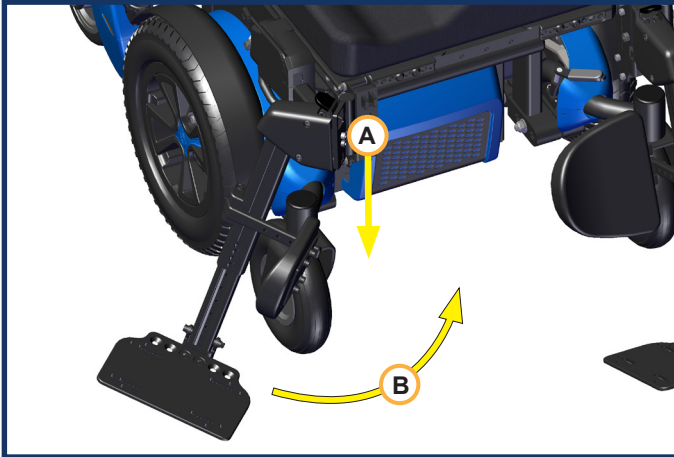
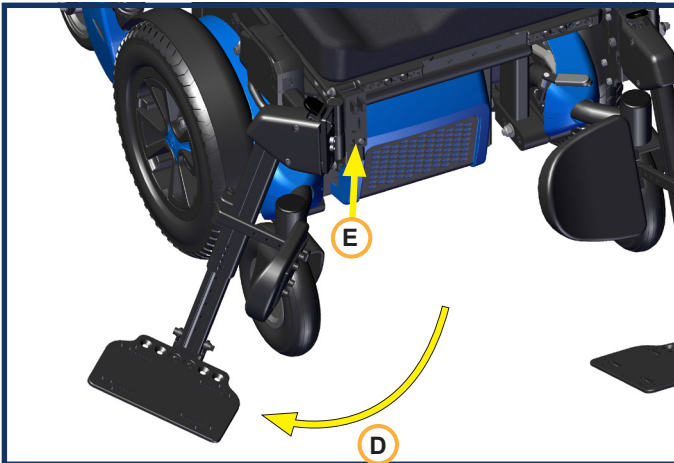


Fig.5



Fig.6



### **WARNING:**

To prevent potential injuries, ensure your feet remain securely positioned on the footplate. Consider using straps as an additional precautionary measure. Neglecting to do so may lead to unintended slipping or displacement of your feet, posing a risk to your safety during use.

## CENTER MOUNT ADJUSTMENT (Fig.1-2)

**NOTE** - The following center mount adjustments must be performed by a qualified technician

1. **HEIGHT ADJUSTMENT ON BOTH TYPES OF FOOTPLATES**
  - a) One piece footplate
  - b) Split footplates
2. **ANGLE ADJUSTMENT ON FOOTPLATE**
3. **CALF PAD ADJUSTMENT**
  - a) Lateral (width between both calf pads)
  - b) Height and depth

Fig.1

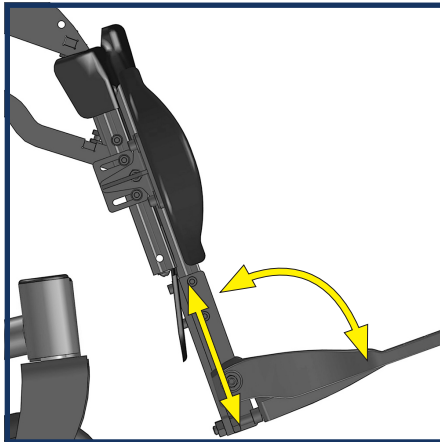
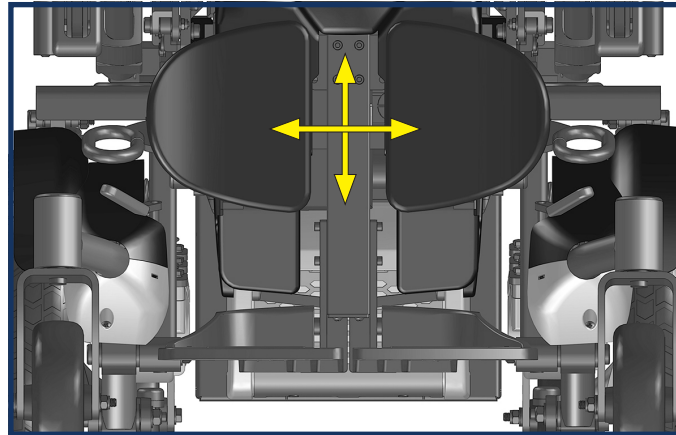


Fig.2



## DUAL POST HEIGHT ADJUSTABLE ARMREST (Fig.3)

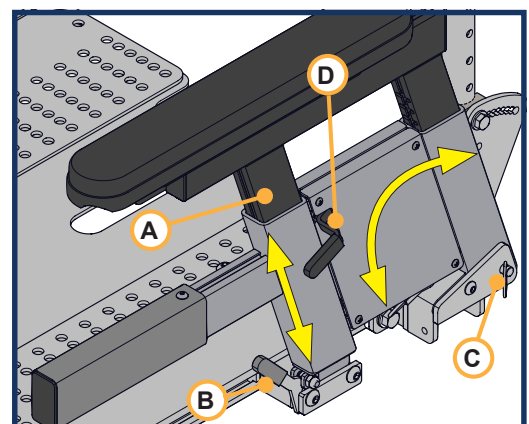
The dual post flip-back armrest can be used as either a flip-back armrest or a removable armrest.

1. **INSTALLING ARMREST**
  - a) Insert front and rear posts (A) into armrest receivers.
  - b) Engage lever (B) and insert the rear safety pin (C).
2. **SET-UP FOR FLIP-BACK OPERATION**
  - a) Disengage lever (B) to free front post (A).
  - b) Armrest now has the ability to be flipped back without removal.
3. **SET-UP FOR REMOVAL**
  - a) Disengage levers (B) and pull out the rear safety pin (C) to free both front and rear posts (A).
  - b) Armrest can now be easily removed for transferring.
4. **HEIGHT ADJUSTMENT**
  - a) Release the upper securing lever (D).
  - b) Set at desired height.
  - c) Return securing lever to locked position.
  - d) Move armrest up or down to allow armrest to snap into place.

**NOTE** - To verify that the dual post (Fig.1) and reclining (Fig.3) armrests are properly engaged, pull the end of the armrest up. If it does not move, it is well engaged.

**NOTE** - All cables should be positioned so they are protected from possible impacts after any modifications. Avoid pinch points when routing cables and do not over-tighten cable ties when attaching them. Replacement or repositioning of cables should be performed by a qualified technician.

Fig.3



## SIGNATURE CANTILEVER AND RECLINING ARMRESTS ADJUSTMENT (Fig.1-3)

Both Signature cantilever and reclining armrests can be flipped-back, are height adjustable, but they are not removable. All adjustments must be performed by a qualified technician.

### 1. SIGNATURE CANTILEVER ARMREST ADJUSTMENT (Fig.1-2)

**NOTE** - The following adjustments can be made for both **NON-RECLINING** and **RECLINING** (manual or power) backs.

- a) Height adjustable\*
- b) Inward/outward pivot: To enhance upper extremity positioning, the armrests can be rotated 5° outward and up to 25° inward, in 5-degree increments. To adjust, pull the release tab, rotate the armrest to the desired angle, then let go to lock it into place.

The pivoting feature can be disabled, if required\*.

- c) Armrest can be flipped up to facilitate transfers or other daily living activities.
- d) The arm pads can be moved 1" (25 mm) forward if desired\*.
- e) On a non-reclining back, the armrest pitch can be adjusted independently relative to set backrest angle\*.
- f) On a reclining back, the armrest angle can be adjusted to stay more level during recline movement, or set to specific angled positions as needed\*.

**Fig.1**



**Fig.2**



\* These adjustments must be performed by a qualified technician.

**⚠ WARNING**

Before folding a non-reclining back or flipping up an armrest, return the armrest to its neutral pivot position.

### 2. SIGNATURE RECLINING ARMREST WITH VERTICAL POST (Fig.3)

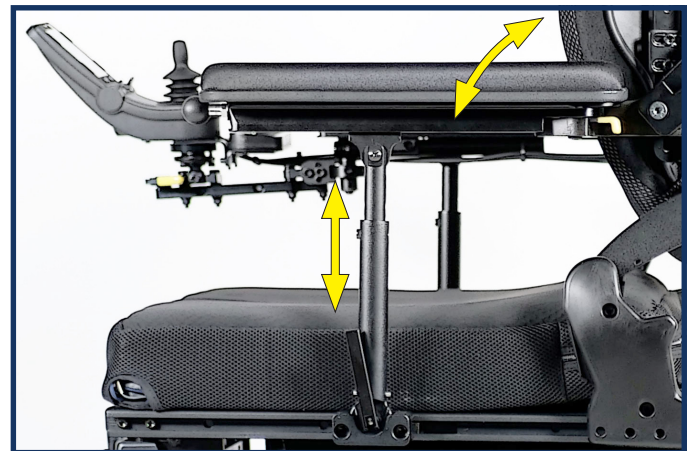
- a) Height adjustable\*
- b) Armrest can be flipped up to facilitate transfers or other daily living activities. To do so, pull the lever downward and lift the armrest fully upward.

\* This adjustment must be performed by a qualified technician.

**⚠ WARNING**

Reinstall bolts and tighten them securely.

**Fig.3**



**NOTE** - For proper seat and back adjustments, qualified technicians must refer to the [Adjusting Seat, Back and Center of Gravity Instruction Guide](#). QR code on page 3.

## MULTI-AXIS HEADREST (Fig.1-2)

The multi-axis headrest has a pivot ball at the bottom to allow up to 3" (75 mm) of lateral movement. The kit is supplied with additional hardware consisting of nuts and bolts to replace the quick latch system if desired. It also comes with a second vertical bar that can add another 2" (50 mm) of movement in all directions.

**NOTE** - When pushing the quick latch back in, it should be hard and stiff to close down. It should leave a pressure mark on your palm. If it still moves after that, repeat by tightening the nut, not the latch. The first time it is tightened, usually the star washer on the inside will "break" the paint. The second time, it will be firmly set into the metal and hold well.

If it is still not tight enough, you can use the replacement nuts and bolts supplied with every headrest to lock it into place.

Fig.1



Fig.2



## JOYSTICK ADJUSTMENT (FIG.3)

Please refer to the input device Owner's Manual provided with the information package.

### 1. ADJUSTING DEPTH

- a) Loosen adjustment handle.
- b) Slide joystick mount horizontal rod in/out until the desired position.
- c) Tighten adjustment handle.

#### **⚠ WARNING**

The joystick cable should be positioned so it is protected from impact. Route cables to avoid pinch points and do not over-tighten cable ties when attaching to armrest. Replacement or repositioning of cables should be performed by a qualified technician.

### 2. USING SWING-AWAY FUNCTION (Fig.3)

- a) Push release lever (A).
- b) Continue pushing until the joystick bracket is fully retracted.
- c) To bring back, pull joystick firmly toward you until it is back into its locked position and a click is heard.

#### **⚠ WARNING**

Caution should be exercised when using the swing-away joystick mount as its moving components may create pinch points and cause injury. Ensure that all clothing, hands, and body parts are out of the way before using this mount.

Fig.3



### 3. OTHER JOYSTICK ADJUSTMENTS (Fig.3)

**NOTE** - The following adjustments can be made to optimize joystick positioning. These adjustments must be performed by a qualified technician.

- a) Height of joystick.
- b) Angle of joystick mount relative to armrest.
- c) Lateral position of joystick (rotation adjustment).

## MOTOR BRAKE RELEASE LEVERS & FREEWHEEL RELEASE LEVERS (Fig.1-2)

When you need to manually push the power wheelchair, for example in an emergency, or if batteries fail, you must disengage the freewheel/brake release levers. It is recommended to have a person assist you in this procedure.

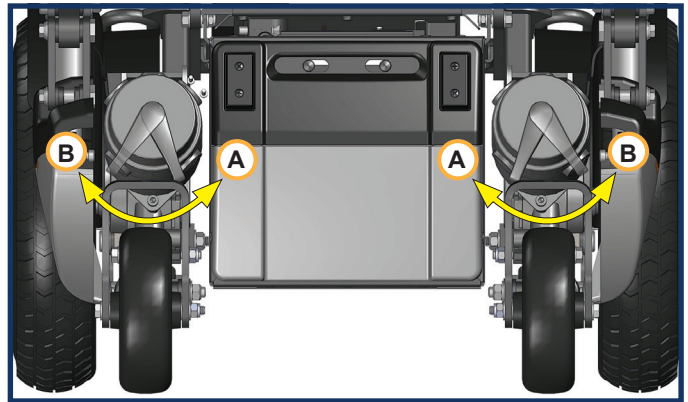
### **⚠ WARNING**

1. DO NOT disengage freewheel/brake release levers unless power to the wheelchair is off and on a level surface.
2. Be aware that the power wheelchair will not have braking ability when levers are released, i.e. there is nothing restraining the wheelchair from moving.
3. Make sure that the person pushing the power wheelchair has full control when the freewheel/brake levers are disengaged.

### FOR STANDARD MOTORS - BRAKE RELEASE LEVERS (Fig.1)

- a) **To engage levers:**  
Rotate both levers toward the inside (A).
- b) **To disengage levers:**  
Rotate both levers toward the outside (B).

Fig.1



### FOR OPTIONAL MOTOR - FREEWHEEL LEVERS (Fig.2)

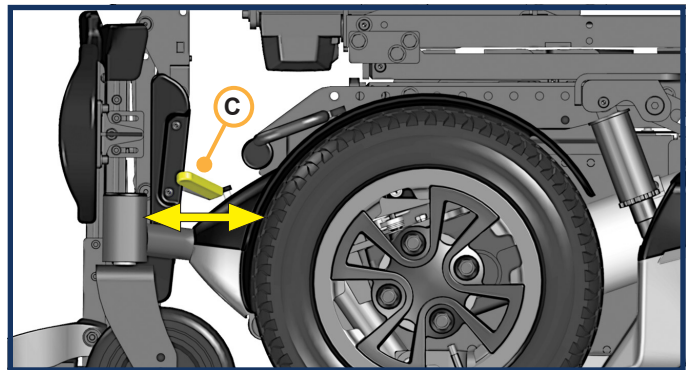
Optional motor for use with Smart-Track

- a) **To disengage levers:**  
Pull lever (C)\* toward the back to the neutral position to disengage levers.
- b) **To engage levers:**  
Push lever (C)\* towards the front to engage the levers and return to the drive position.

\*There is one lever for each motor.

**NOTE** - For the freewheel position, if levers are difficult to engage or disengage, rock the wheelchair back and forth and/or push against the wheelchair while moving the lever.

Fig.2



## IX. OPERATING GUIDE

### JOYSTICK ASSEMBLY

The joystick connects to a power module, which controls the power wheelchair's performance. The joystick varies based on the option selected for you.

#### R-NET JOYSTICK (OPTIONAL)



#### VR2 JOYSTICK



**NOTE** - Please refer to the Owner's Manual provided with information package.

### ENHANCED DISPLAY

Please refer to the OMNI 2 Owner's Manual located on our website.

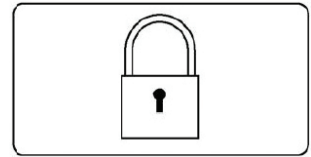


**NOTE** - Use only AMYLIOR recommended parts.

## LOCKING OR UNLOCKING THE JOYSTICK

### TO LOCK WITH R-NET AND VR2 KEYPAD

- While the control system is switched on, depress and hold the on/off button.
- After 1 second the control system will beep. Now release the on/off button.
- Toggle the joystick forward until the control system beeps.
- Release the joystick, there will be a long beep.
- The power wheelchair is now locked.



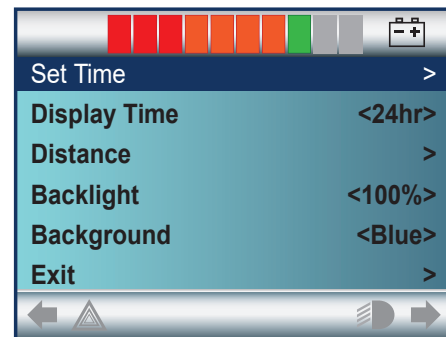
**NOTE** - The following screen will be displayed the next time the Control System is switched on.

### TO UNLOCK WITH R-NET AND VR2 KEYPAD

- Press the power button to turn the power wheelchair on.
- Toggle joystick forward until the control system beeps.
- Toggle joystick backward until the control system beeps.
- Release the joystick, there will be a long beep.
- The power wheelchair is now unlocked.

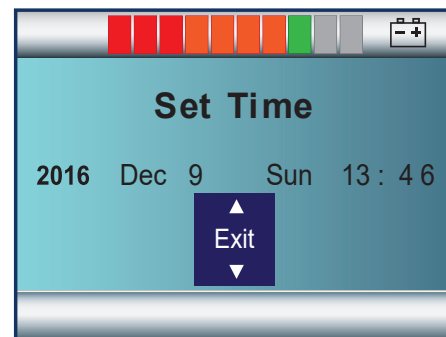
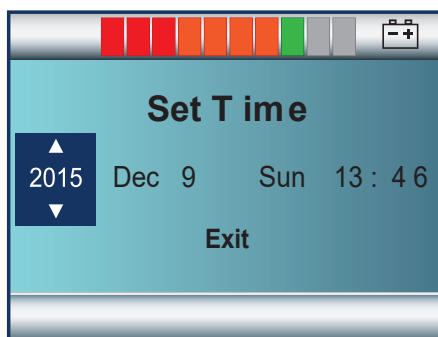
## DISPLAY SETTINGS FOR R-NET COLOR MODELS

- The settings menu is accessed by depressing the Speed Down and Speed Up buttons simultaneously. Toggle joystick right to get the clock adjustment screen.



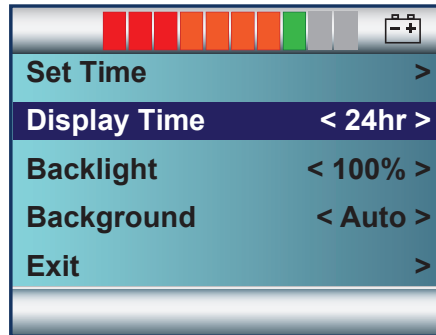
## SET TIME AND DATE

- To set the time and date, toggle joystick.
- Once information is entered, select exit and toggle joystick accordingly.



## DISPLAY TIME

- This sets the format of the time display or turns it off.
- The options are 12hr, 24hr or Off. Toggle joystick left and right to cycle through the options.



## PERFORMANCE CONTROL SETTINGS

**NOTE** - Seek advice regarding checking and adjusting settings. It is vital to match control settings to your level of function and ability.

Consult your health care professional and your authorized supplier to select the best control setting for you. For your safety, have the settings on your power wheelchair verified when your environment or level of function and ability change.

### WARNING

Have your control settings re-adjusted immediately if you notice any change in your ability to:

- Control the joystick.
- Avoid running into objects.

**NOTE** - Control settings are adjusted by your AMYLIO authorized supplier.

### WARNING

When starting the wheelchair, the joystick toggle functions as an accelerator. Always move the toggle progressively to achieve maximum speed. Avoid initiating sudden movements of the wheelchair when starting by abruptly moving the toggle all the way.

## THERMAL ROLL-BACK

Your power wheelchair has a thermal roll-back circuit. This protects the power module from damage caused by overheating. In extreme conditions (such as repetitive hill climbing), the circuit will decrease the power to your motors. This allows the power wheelchair to operate at a reduced speed. When the power module cools, the wheelchair will return to normal speed.

## POWER SEATING OPTIONS

### NEUTRAL POSITION



### THIS IS REFERRED TO AS THE NEUTRAL POSITION

This position is without elevation and/or tilt, fully retracted center mount and backrest in an upright position. Always perform power seating operations on a level surface.



### SEAT TILT



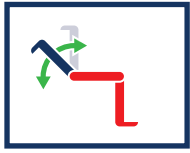
### DRIVE LOCK-OUT

Drive lock-out is a safety feature designed to prevent the power wheelchair from being driven while in a tilt angle over 15° relative to the level surface.

**⚠ DANGER**

Never operate the power wheelchair while in tilt if the drive lock-out does not stop the wheelchair from operating when in a tilt angle over 15°, have it or the power tilt system serviced by a qualified technician.

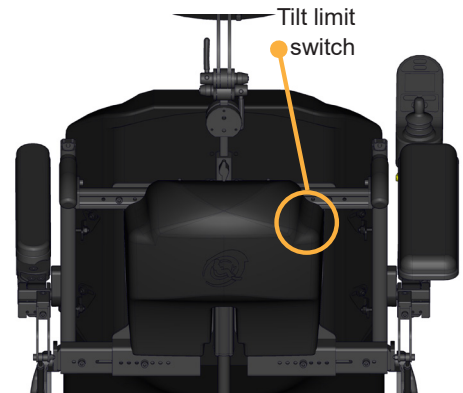
### BACKREST RECLINE



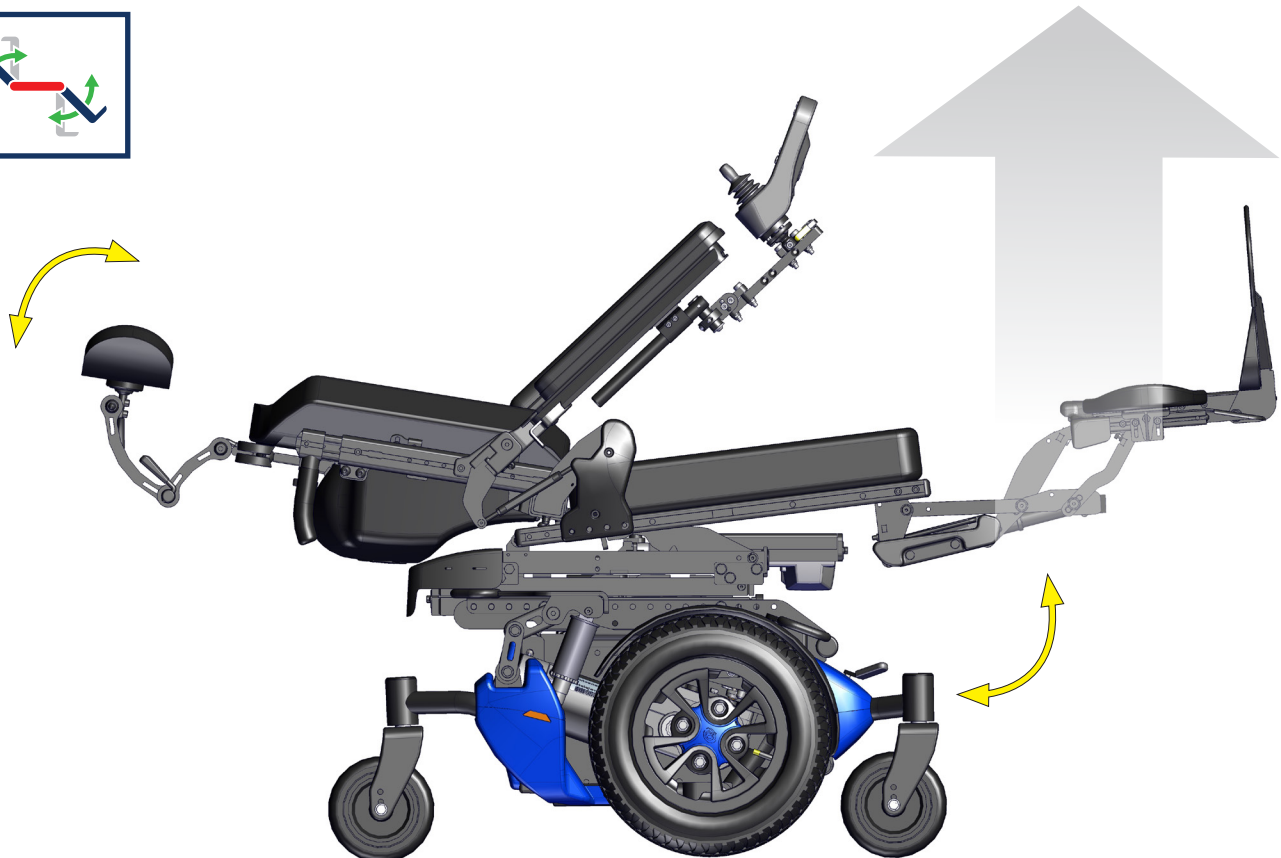
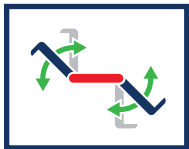
### TILT LIMIT SWITCH

When equipped with a power tilt and power or manual recline combination, your power wheelchair will include a tilt switch located on the right-hand side inside the backrest shroud. The purpose of the tilt switch is to control the total angle of the tilt and recline combined.

This tilt switch can be manually adjusted to change the total tilt/recline angle to a desired or comfortable level for the occupant. This total tilt/recline angle should never exceed the horizontal plane (180°). Technicians must watch for the tilt actuator inside the base shroud as it can reduce the total tilt/recline angle limit. The total tilt/recline angle should stop before the backrest shroud touches the base shroud.



### COMBINATION POWER RECLINE AND LEGREST ELEVATE



**ELEVATING & ARTICULATING LEGRESTS (LEFT)**

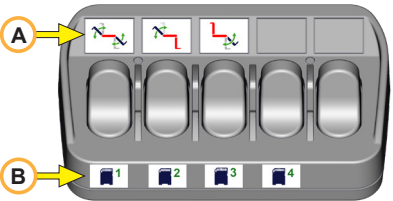
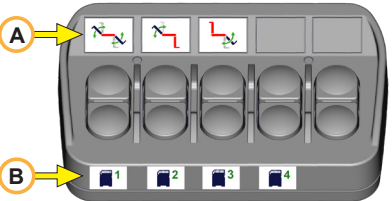

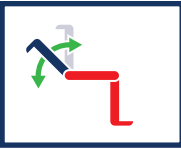
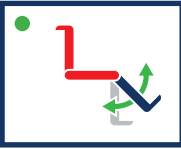
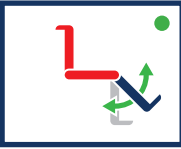
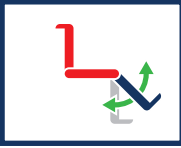
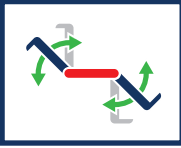


**ELEVATING & ARTICULATING LEGRESTS (RIGHT)**



**ELEVATING & ARTICULATING CENTER MOUNT**



<p><b>NOTE</b> - These keypads are examples of the factory-programmed positioning for each power seating options which will depend on the configuration selected by the occupant.</p> <p>The bottom row of pictograms (B) on the keypads represent factory-programmed positions stored in memory if that option is selected.</p> <p>Activation instructions for each power options are valid only for keypads without stored memory.</p>	 <p>Toggle keypad</p>	 <p>Push button keypad</p>
<p><b>ACTIVATION INSTRUCTIONS WITHOUT STORED MEMORY</b></p>		
<p>Power tilt</p> 	<p>Toggle backward (B)</p>	<p>Push the lower button (B)</p>
<p>Power recline</p> 	<p>Toggle backward (B)</p>	<p>Push the lower button (B)</p>
<p>Power elevating and articulating legrest Left leg (dot on left)</p> 	<p>Toggle forward (A)</p>	<p>Push the upper button (A)</p>
<p>Power elevating and articulating legrest Right leg (dot on right)</p> 	<p>Toggle forward (A)</p>	<p>Push the upper button (A)</p>
<p>Power elevating and articulating center mount</p> 	<p>Toggle forward (A)</p>	<p>Push the upper button (A)</p>
<p>Combination power recline and legs</p> 	<p>Toggle backward (B)</p>	<p>Push the lower button (B)</p>

## POWER SEATING OPERATIONS THROUGH THE JOYSTICK

The power tilt, seat elevate, backrest recline, elevate & articulating legrests and center mount functions can be operated using the joystick on your power wheelchair. The following joysticks activate multiple power options.

### R-NET EL JOYSTICK



### R-NET COLOR JOYSTICK



A Bluetooth module is available for this joystick as an add-on option.

### R-NET ADVANCED JOYSTICK WITH 3.5" SCREEN



This joystick includes a Bluetooth feature. For details on Bluetooth pairing and operation, please review the quick guide document supplied with this Owner's Manual or refer to the PG Drives R-Net CJSM2 Technical Manual on our website.

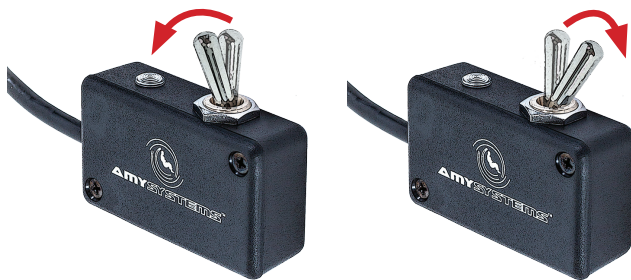
## POWER SEATING ACTIVATION

### SINGLE POWER ACTIVATION

The following devices are designed to activate one of the power seating options described previously, such as tilt, elevate, recline, combined legrests and center mount. Activation devices are located next to the joystick.

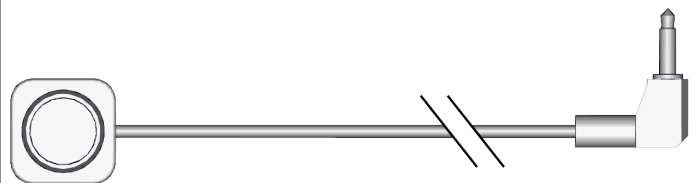
**For the purpose of consistency, let's assume the wheelchair is in its neutral position to start.**

#### 1. SINGLE TOGGLE SWITCH



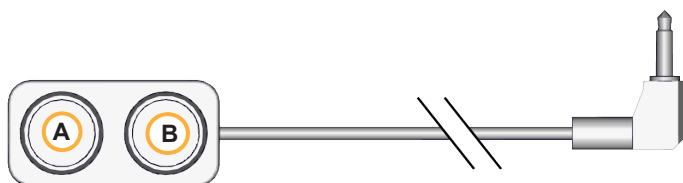
To activate the power option, toggle backward and hold until the desired position is achieved, then release. To return toward the neutral position, toggle forward.

#### 2. SINGLE PUSH BUTTON



To activate the power option, push the button once and hold until the desired position is achieved, then release. To return toward the neutral position, push the button a second time.

#### 3. DUAL PUSH BUTTON



To activate the power option, push the button (A), located furthest from the wire, hold until the desired position is achieved and release. To return toward the neutral position, push the other button (B).

## MULTIPLE POWER ACTIVATION

The following devices are designed to activate more than one power seating options described previously, such as tilt, elevate, recline, elevating & articulating legrests and elevating & articulating center mount. Activation devices are located next to the joystick.

**For the purpose of consistency, let's assume the wheelchair is in its neutral position to start.**

### 1. TOGGLE KEYPAD AND BUTTON KEYPAD

Activating power options (A) on these devices depends on whether they are equipped with the feature of storing power seating positions in memory (B) or not.

- **ACTIVATION FOR KEYPADS WITHOUT STORED MEMORY:**

**NOTE** – Direction of toggle switch operation or choice of top/bottom push buttons are factory-programmed, and they FOLLOW THE MOVEMENT OF THE BODY.

To activate a power option, use the toggle switch or push one button under the corresponding power option, hold until the desired position is achieved, then release. Refer to the pictogram legend. To return toward the neutral position, toggle in the opposite direction or push the other button.

- **ACTIVATION FOR KEYPADS WITH STORED MEMORY:**

To activate the power option, **always toggle forward (A) or push upper button** under the corresponding power option, hold until the desired position is achieved, then release. To return toward the neutral position, toggle forward or push upper button **a second time**.

To activate the memory positions stored, toggle backward (B) or use lower buttons on the keypad.

**NOTE** – The memory-stored positions are personalised depending on what the occupant has selected. Memory positions do not necessarily correspond to the pictograms shown above the toggle switch or push button.

## STORING POWER POSITIONS IN MEMORY

### WARNING

When selecting a position stored in memory, all actuators are in motion to activate the desired power seating position. Ensure that hands, any body parts and clothing are clear from any moving parts.

### 1. USING THE SPEED BUTTONS ON THE JOYSTICK

- Set the seating in the desired position, then stop all seating movements. If the seating is moving it will not be possible to store the position.
- With the joystick, select seating mode and toggle right until the screen shows M1/M2 or M3/M4.
- Push the speed down button for 3 seconds, you will hear a short beep.

Release the speed down button. Within the next 3 seconds, perform step d) or e).

- To store the position under the forward direction (M1/M3), hold the speed up button for 3 seconds, you will hear a short beep, then release. Your position is stored\*.
- To store the position under the backward direction (M2/M4), hold the speed down button for 3 seconds, you will hear a short beep, then release. Your position is stored\*.

**\* If it is not possible to store the position or the processed failed, 3 short beeps will be heard. Try again.**

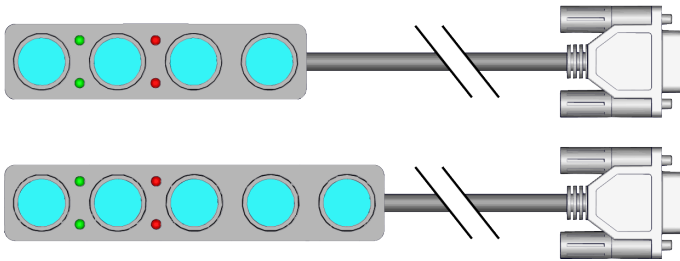


## 2. USING THE KEYPAD

- Set the seating in the desired position, then stop all seating movements. If the seating is moving it will not be possible to store the position.
- Push and hold the 2 most left top toggle switches/buttons on the keypad, after 3 seconds, when the green LED starts flashing slowly, release both switches/buttons.
- Push and hold the 2 most left bottom toggle switches/buttons on the keypad, after 3 seconds, when the green LED starts flashing fast, release both switches/buttons.
- To select the memory seating location on the keypad, toggle down one of the switches or push one of the bottom buttons for 3 seconds. If the position is stored successfully, the green LED will remain on.

**NOTE** - If it is not possible to store the position or the processed failed, the red LED will flash for 3 seconds. Try again.

## 3. 4 OR 5 PUSH BUTTONS



**NOTE** – The power seating options are assigned at the factory according to the wheelchair configuration and depending on the options selected.

To activate a power option, push the assigned button and hold until the desired position is achieved and release. Pushing the same button a second time, will activate the power option in the opposite direction toward the neutral position.

## 4. 4-WAY TOGGLE



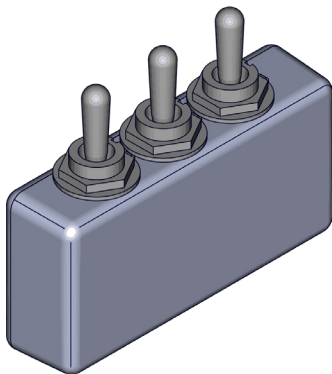
**NOTE** – This toggle switch can be pre-programmed with 2, 3 or 4 power seating options.

If 2 power options are selected, these options will be assigned to the forward and backward toggle directions.

If 3 power options are selected, the third option will be assigned to the right side toggle. The fourth option will be assigned to the left side.

To active a power option, toggle toward the assigned direction, hold until the desired position is achieved and release. If you toggle in the same direction a second time, it will activate the power option in the opposite direction. This applies to all power options.

## 5. MULTI TOGGLE SWITCH



**NOTE** – Each side to every toggle is pre-programmed with an assigned power seating option according to the power options selected. Up to 5 power seating options can be pre-programmed.

To activate a power option, toggle to one side and hold until the desired position is achieved then release. Toggle to the same side a second time and the power option will move in the opposite direction toward the neutral position. This applies to all power options.

## TROUBLESHOOTING GUIDE FOR POWER SEATING

**NOTE** - This is only a guide to help solve simple problems. However, some situations may be more complicated. If the suggested fix does not solve the problem, please contact your AMYLOR authorized dealer.

SYMPTOM	Possible Causes	How to fix this
<b>Nothing works!</b>	<ul style="list-style-type: none"> <li>No batteries in your wheelchair</li> <li>24V power cable disconnected</li> <li>Control switch is defective</li> <li>Breaker has popped</li> </ul>	<ul style="list-style-type: none"> <li>Check batteries</li> <li>Verify all connections</li> <li>Verify and/or replace battery cables</li> <li>Reset the breaker</li> </ul>
<b>Actuator is noisy when going up or down</b>	<ul style="list-style-type: none"> <li>Defective actuator</li> <li>Mechanical restraint</li> </ul>	<ul style="list-style-type: none"> <li>Make sure the seat is aligned well and doesn't interfere with the rear of the power tilt actuator when tilting</li> <li>Check for and remove mechanical restraints</li> </ul>
<b>Actuator is going only in one direction</b>	<ul style="list-style-type: none"> <li>Wrong programming</li> <li>Cable connected in wrong location</li> <li>Pinched cables</li> </ul>	<ul style="list-style-type: none"> <li>Verify electrical assembly and programming thoroughly</li> <li>Verify if cables are pinched</li> </ul>
<b>Relays can be heard, but actuator does not operate</b>	<ul style="list-style-type: none"> <li>Actuator not connected to power module</li> <li>Defective actuator</li> <li>Defective power module</li> <li>Pinched cables</li> </ul>	<ul style="list-style-type: none"> <li>Verify electrical connection assembly and programming thoroughly</li> <li>Verify if cables are pinched</li> </ul>
<b>Breaker pops repeatedly</b>	<ul style="list-style-type: none"> <li>Mechanical restraint</li> <li>Short circuit in one of the cables</li> <li>Defective power module</li> </ul>	<ul style="list-style-type: none"> <li>Verify mechanical assembly thoroughly</li> <li>Verify electrical assembly and programming thoroughly</li> </ul>
<b>Drive lock-out switch, tilt switch or reduce drive switch do not work properly</b>	<ul style="list-style-type: none"> <li>Wrong programming</li> <li>Cable connected in wrong location</li> <li>Drive lock-out switch is unplugged or defective</li> <li>Reduced drive switch is unplugged or defective</li> <li>Tilt switch is unplugged or defective.</li> <li>Pinched cables</li> </ul>	<ul style="list-style-type: none"> <li>Verify proper mechanical operation of limit switches.</li> <li>Verify electrical assembly and programming thoroughly</li> <li>Verify if cables are pinched</li> </ul>
<b>Charger fuse burns every time an attempt is made to charge the batteries</b>	<ul style="list-style-type: none"> <li>Wrong charger is used</li> <li>Trouble with the power interfacing cable</li> </ul>	<ul style="list-style-type: none"> <li>Make sure you are using the battery charger provided with your wheelchair</li> <li>Verify all cables</li> </ul>

## X. BATTERIES

---

### INTRODUCTION

---

#### 1. NOTES

- Batteries supply the power for your wheelchair. They contain a finite amount of energy and have limits on how long they can store and supply energy.
- You can charge batteries only a certain number of times before they will fail and no longer hold a charge.
- For answers to questions about batteries, consult your authorized supplier.

#### 2. USE PROPER BATTERIES

- Your power wheelchair operates on two 12 volt deep cycle, AGM or Gel cell batteries.
- They should be Group 24 (or 22NF) size with a minimum of 50 Ah rating. Only deep cycle sealed case construction batteries should be used in this device.
- When you buy a replacement, insist on a deep cycle sealed case type.
- DO NOT use a car battery.

#### 3. BREAKING IN

- A battery requires "breaking-in" for the first 6 to 12 charges. It will not accept a full charge for this period.
- It is best to limit the length of your trips until you break the batteries in and you know the range of your power wheelchair.

#### 4. DISCHARGED BATTERIES

- NEVER allow a battery to completely discharge. If you operate your power wheelchair until it has almost stopped, you will greatly reduce the life of your batteries.
- NEVER let a battery sit in a discharged condition. Give unused or stored batteries a full charge once per month.
- ALWAYS fully charge the batteries. Avoid "topping off" with frequent charges.

#### WARNING

NEVER connect a life support or auxiliary device to a power wheelchair battery. The electrical system may fail, and result in severe injury or death of occupant.

### BATTERY CHARGER

---

A battery charger produces a direct current (DC). When applied to a discharged battery, this reverses the chemical reaction that led to its discharge.

#### 1. CHARGE RATE — HOW FAST A BATTERY WILL CHARGE DEPENDS ON

- Its electrical capacity, state of charge, electrolyte temperature, and internal condition.
- The DC output of the charger. (The charge rate will vary if the alternating current (AC) supply is higher or lower than 110 volts).

#### 2. CAUTION — TO AVOID DAMAGE TO THE CHARGER

- NEVER place the charger on top of a battery during charging. (Gases from the battery can damage the charger and may lead to an explosion or fire).
- NEVER place a battery on top of the charger.
- NEVER expose charger to rain or snow.
- NEVER unplug charger by pulling on the electrical cord. This will damage the cord.
- NEVER open a charger or attempt to repair it yourself. Return a defective charger to your authorized supplier.
- Keep cord out of the way, where it will not be stepped on, tripped over, or damaged.

### 3. CAUTION — TO AVOID DAMAGE TO THE BATTERY

- Make sure you use the correct setting for sealed (gel) batteries (located on the off-board charger).
- NEVER charge a frozen battery. A fully charged battery will rarely freeze, but the fluid in a discharged battery can freeze at 16° Fahrenheit (minus 9° Centigrade). If you suspect a battery is frozen, thaw it before charging.

**⚠ WARNING**

Lead acid batteries generate explosive gas while charging. Carefully read and follow all warnings on batteries in this Owner's Manual and any labels applied to the product. Not doing so, could result in fire, explosion, injury and/or death.

**🚫 PROHIBITED!**

NEVER plug two (2) chargers to your wheelchair battery at the same time. This may lead the electrical system to overheat and cause a fire resulting in severe injury or death.

**⚠ WARNING**

- Batteries weigh up to 55 lb (25 kg) each. Use caution when lifting them to and from the compartment to avoid back strain.
- Connect and disconnect battery cables with caution. For proper battery connection, refer to the diagram below. The battery connection label can be found on the inside of the battery door at the back of the chair.

**🚫 PROHIBITED!**

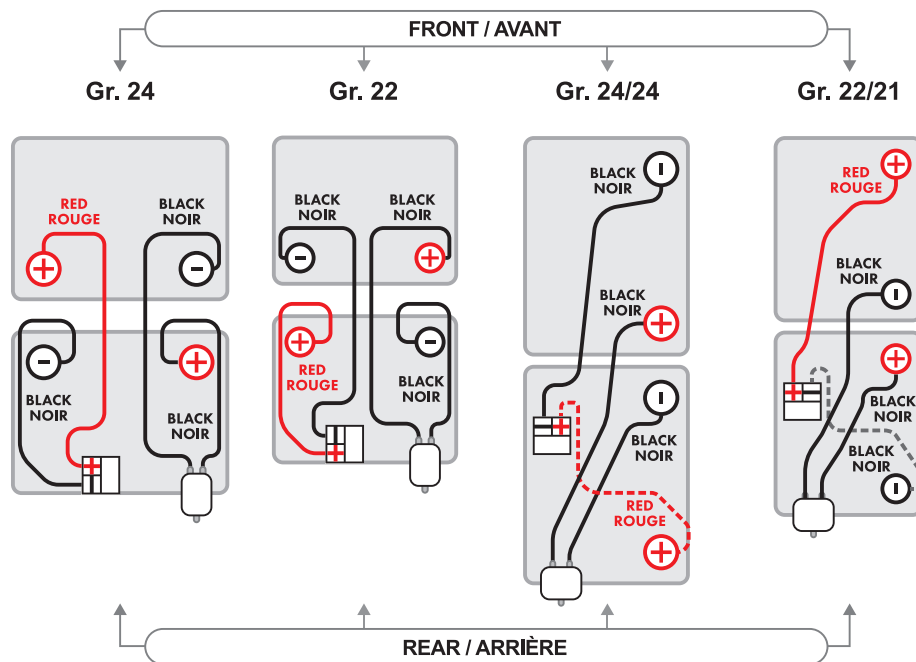
NEVER make direct contact across both battery terminals, as an explosion may occur. A spark may cause an explosion and/or fire resulting in severe injury or death.

### BATTERY CONNECTION

**⚠ WARNING**

Never cross battery cables when installing them.

ALWAYS USE the battery model defined for this type of wheelchair, the battery covers according to the connection diagram and the corresponding battery tray.



**NOTE -** For more details on battery connections, qualified technicians must refer to our Instruction Guides. QR code on page 3.

## CHARGING BATTERIES

---

### WARNING

To avoid the risk of severe injury or death from electrical shock, fire or explosion while charging:

### PROHIBITED!

1. NEVER connect charger to a 240 volt source. The main input voltage is 110 volts.
2. NEVER connect 2 chargers to the battery at the same time.

### WARNING

- NEVER touch the charger after it is connected to an electrical outlet. This may cause electrical shock.
- NEVER connect or disconnect the charger from the power wheelchair while there is power to the charger.

### WARNING

1. NEVER use an extension cord. Use of an improper cord could damage the charger or cause a fire or electrical shock.
2. A battery emits explosive hydrogen gas during charging. To reduce the risk of fire or explosion:
  - Make sure area is well ventilated. NEVER charge battery in a closed-in area.
  - NEVER smoke or allow a spark, flame or high heat near battery during charging.
  - NEVER allow metal tools or power wheelchair parts to make direct contact across both battery terminals.

## ALWAYS

---

1. Use the charger that comes with your power wheelchair. Read and follow all instructions and warnings.
2. Make sure room is well ventilated.
3. Turn off all power to your wheelchair.
4. Connect and disconnect battery cables with caution.

**NOTE - ALWAYS remove and reattach the negative cable (black cable) first.**

5. It is important to tighten the terminal screws securely when the battery cables are connected.
6. Make sure to allow enough time to fully charge batteries.

**NOTE - Batteries should NEVER be left for a long period in the discharged state. Unused or stored batteries should be given a charge once per month.**

7. To charge batteries, use the off-board charger by plugging it into the power wheelchair.

## DISPOSING OF BATTERIES

---

### WARNING

1. All batteries once they have reached the end of their useful life are deemed to be hazardous waste.
2. For further information on handling and recycling contact your local recycling authority.
3. ALWAYS dispose of product through a recognized agent.

## XI. MAINTENANCE

---

### NOTES

---

1. Proper maintenance will improve performance and extend the life of your power wheelchair.
2. Clean your power wheelchair regularly. This will help you find loose or worn parts and will make it easier to use.
3. To protect your investment, have all major service and repair work done by your authorized supplier.

#### **⚠ WARNING**

1. Your power wheelchair needs regular maintenance for peak performance and to avoid injury from break down, damage or premature wear.
2. Inspect and maintain this power wheelchair strictly per the Maintenance Chart on **page 49**.
3. If you detect a problem, make sure to service or repair the power wheelchair before use.
4. At least once a year, have an authorized supplier service your power wheelchair and perform a complete safety check.

### CLEANING

---

Regular care and maintenance will prevent premature wear and unexpected damage to your **AMYLOR** product. Use only the following cleaning methods.

#### **⚠ WARNING**

Cut all power to the wheelchair and always unplug the battery charger before cleaning or disinfecting the wheelchair.

#### **⚠ WARNING**

Never hose off your power wheelchair or place it in direct contact with water.

#### **1. PAINT, METAL SURFACES AND PLASTICS**

---

Clean with a soft cloth or sponge, using warm water and a mild detergent on a monthly basis or when necessary. Wipe down carefully and dry off. Protect the paint with a coat of non-abrasive auto wax every 6 months.

#### **⚠ WARNING**

Do not use solvents or abrasive kitchen cleaners.

#### **2. MOTORS, AXLES AND MOVING PARTS**

---

Clean around motor area weekly with a slightly damp (not wet) cloth. Wipe off or blow away any fluff, dust, or dirt on or around the motors.

**NOTE** - *Applying grease or oil on any part of the power wheelchair is not required except as specified in this Owner's Manual.*

#### **3. UPHOLSTERY, CLOTH AND FOAM**

---

Hand-wash only using lukewarm water and a mild, non-abrasive soap as needed. Before the surface dries, wipe off any water or soapy water residues with a clean, dry cloth. Repeat this procedure to remove stubborn dirt or stains. Drip-dry only. See label instructions for information.

**CAUTION!** - *Machine washing or heat from a dryer may damage fabric.*

#### **⚠ WARNING**

Washing the fabric may decrease fire-retardant properties.

#### **4. WHEELCHAIR CONTROLLER**

---

Should the control of your wheelchair become soiled or dirty, it can be wiped with a damp cloth with a diluted disinfectant.

## DISINFECTING & REASSIGNING A POWER WHEELCHAIR

---

Many disinfecting products are commercially available and must be used according to the manufacturer's instructions. Before using any products on the wheelchair, test on a small area to ensure the disinfecting product is compatible with the wheelchair materials.

**AMYLOR recommends using one of the following solutions:**

- (AHP) Accelerated Hydrogen Peroxide disinfectant-based solution.
- Rapid alcohol-based solution
- Alkyl Dimethyl/Dimethyl ethyl benzyl ammonium chlorides-based solution.

### **WARNING**

Prior to the wheelchair being reassigned (passing on to another occupant), it must be carefully cleaned and disinfected. All surfaces which come into contact with the occupant must be treated with a disinfecting product.

### **CAUTION**

- Do not use solvents, bleaches, abrasives, synthetic detergents or aerosols.
- Disinfectants may be used in dilution as specified by the manufacturer.
- Ensure surfaces are rinsed with clean water and dried thoroughly.
- Always read the label on any commercial or domestic cleaning substances.
- Always follow the instructions carefully.

### **WARNING**

**AMYLOR** takes no responsibility for the effectiveness of the disinfecting process, for contamination, cross infection or damage to the product.

## STORAGE TIPS

---

1. Store your power wheelchair in a clean, dry area. If you do not, parts may rust or corrode.
2. Before using your power wheelchair, make sure it is in proper working order. Inspect and service all items according to the Maintenance Chart on **page 49**.
3. If you store this power wheelchair for more than three months, have it inspected by an authorized supplier before use.

## BATTERY MAINTENANCE

---

### **WARNING**

#### 1. **MAINTENANCE SCHEDULE**

This varies for different types of batteries. ALWAYS follow instructions supplied with your batteries.

**NOTE** - ALWAYS wear rubber gloves and safety glasses when you handle or service batteries.

#### 2. **CORROSION**

Check battery terminals often for corrosion.

- a) If corrosion is present, use a wire brush to clean the terminals.
- b) Use baking soda to neutralize acid.
- c) Use petroleum jelly (Vaseline) to re-grease the terminals after connecting cable to battery. (Completely cover the terminal nut and bolt, cable clip and any exposed cable with jelly).

#### 3. **FOR ANSWERS TO QUESTIONS**

Contact your authorized supplier.

## PNEUMATIC TIRES

### WARNING

1. DO NOT use this power wheelchair if any of the tires are under- or over-inflated.
2. Low pressure in a tire may cause the power wheelchair to veer to one side and result in loss of control.
3. An over-inflated tire may burst.
4. NEVER use a gas station pump to inflate a tire. Such pumps provide air at high volume, and may cause tire to burst.
5. Check weekly for signs of wear and correct air pressure in pneumatic tires.
6. For best performance, inflate tires at a maximum pressure level, as shown on the tire sidewall.

### CAUTION

## TO PREVENT TIRE DAMAGE

Use a hand pump (or a low volume air pump) to inflate tires. Use a tire gauge to check pressure.

**NOTE** - For steps on how to repair or replace a tire, qualified technicians must refer to the Repairing or Replacing a Tire Instruction Guide. QR code on page 3.

**NOTE** - For steps on how to change a caster fork, bearings or bushings, qualified technicians must refer to the Replacing Bearing-Bushings-Caster Fork Instruction Guide. QR code on page 3.

## ORDERING PARTS

When you order parts, provide the following:

1. Model of power wheelchair;
2. Serial number;
3. Left hand or right hand control;
4. Part number, description and quantity of parts you need;
5. State reason for replacement;
6. Occupant weight and height.

## DISPOSING OF THE WHEELCHAIR

The intended lifetime of the wheelchair is five (5) years. When the power wheelchair reaches the end of its life, it must be disposed of or recycled in accordance with local authorities and/or state requirements, laws and regulations.

## MAINTENANCE CHART

Ensure that all items on the list below are performed according to frequency indicated. If any of the items are loose, worn, bent or distorted, immediately have them checked and/or repaired by your authorized **AMYLOR** supplier. If you hear unusual noises such as rattling, screeching or knocking; feel unusual sensations such as shaking, vibrating or bouncing; have your wheelchair serviced by your authorized **AMYLOR** supplier.

Frequent maintenance and servicing will improve performance, extend power wheelchair life, and help prevent injuries.

FREQUENCY	Daily	Weekly	Monthly	Quarterly	Annually
Charge batteries	X		X*		
Check tires for proper inflation level and wear		X			
Check plugs and connectors for proper connections			X		
Check all moving parts for wear				X	
Inspect all nuts, bolts and fasteners for looseness or wear				X	
Inspect upholstery for wear				X	
Inspect bearings, pivot points and bushings				X	
Service by authorized supplier					X

\*If stored

## XII. ALLTRACK LIMITED WARRANTY

---

**NOTE** - For your Alltrack general warranty information, return policy, disclaimer and warranty limitations, please refer to the AMYLOR website: <http://amylor.com/>  
Once online, select the country application for the chair. The Alltrack Limited Warranty is a document listed under the Support for Occupants.

You may also scan below QR code for your location

### UNITED STATES LIMITED WARRANTY



### CANADIAN LIMITED WARRANTY



### INTERNATIONAL LIMITED WARRANTY



### XIII. PRODUCT SPECIFICATIONS

Configuration	MID-WHEEL DRIVE – VERY HEAVY-DUTY (ALLTRACK HD3)	CE
Alltrack HD3 Class B	Wheelchairs sufficiently compact and manoeuvrable, yet of strength and capable of negotiating a range of indoor and outdoor environments.	
HCPCS Codes (For US only)	K0852/K0860/K0863 - 0-550 lb Alltrack HD3	
Suspension system	Patented Dual Action Suspension: Fully independent 6-wheel interactive suspension with vertical shock absorption	
Ground clearance <sup>1</sup>	3.5" (90 mm) with 14" (355 mm) drive wheel	
Base width <sup>2</sup>	27.375" (695 mm)	
Base length <sup>2</sup>	35.125" (890 mm)	
Base turning radius	20.5" (520 mm)	
Weight capacity	Up to 550 lb (250 kg)	
4-pole motor options	5.4 mph (9 km/h)	
Transport option	Tie-down attachment points compliant with ISO 7176-19	
Battery type	Two 12 V, deep cycle, AMG or Gel cell Group 24 (70 Ah)	
Battery charger	8 A, off board	
Electronics	PG Drives VR2 (non-expandable 90 A) or R-Net (expandable 90 A or 120 A)	
Assistive driving package	Available with Smart-Track technology	
Specialty controls	Compatible with Switch-It, Stealth, ASL or MO-VIS	
Seat width range	Adjustable from 20" to 28" (510 mm to 710 mm) wide	
Power seating options <sup>3</sup> and HCPCS codes (For US only)	Power Tilt (E1002), Power Recline with Mechanical Shear Reduction (MSR) (E1004), Combination Power Tilt and Recline with MSR (E1007), Center Mount Elevating & Articulating Foot Platform (E1012), Independent Power Elevating & Articulating Legrests (E1010)	
Seat to floor height range (With power tilt)	17" to 20" (430 mm to 510 mm)	
Component weights <sup>4</sup>	Wide base width 27.375" (695 mm): 134 lb (61 kg) Batteries: Group 24: 2 x 54 lb (24.5 kg)	
Overall length with legrest	46" (1170 mm)	
Static stability downhill	20°	
Static stability uphill	20°	
Static stability sideways	10°	

**NOTE** - Some imperial measurements have been rounded to the nearest decimal and some metric measurements have been rounded to the nearest 5 millimeter.

<sup>1</sup> Subject to variances depending on configuration and manufacturing tolerances.

<sup>2</sup> Dimensions listed are for power base only. Overall measurements will vary based on seating and accessory selections.

<sup>3</sup> Specialized power seating options available.

<sup>4</sup> Contact Customer Service for additional weight information.

Configuration	MID-WHEEL DRIVE – VERY HEAVY-DUTY (HD) (cont'd)
Theoretical range (distance without recharging)	Gr 24 = 42 miles (68.5 km)
Dynamic stability uphill	10°
Obstacle climbing (20"/400 mm run up)	Gr 24 = 2.75" (70 mm)
Minimum braking distance from max speed	21.50" (0.55 m) (forward)
Seat plane angle	0°, 3°, 6°
Effective seat depth range	18" to 24" (455 mm to 610 mm)
Backrest angle	82° to 106° in 8° increments
Backrest height	16" to 28" (405 mm to 710 mm)
Overall wheelchair height range (floor to top of back canes)	33" to 48" (840 mm to 1220 mm)
Footrest to seat distance	Min. 1°, Max. 89°
Leg to seat surface angle (0 to 90)	Footrests 60° and 70° / Center mount 90° to 3°
Front location of armrest structure	Signature Cantilever (Non-Reclining back) 18" (455 mm); Dual post 18.5" (470 mm); Signature Cantilever (Reclining Back) 18" (455 mm)
Backrest width	19" to 28" (485 mm to 710 mm) (custom available)
Headrest in front of backrest	Min: 0 / Max: 10.25" (260 mm)
Headrest height above seat	Min: 2.5" (65 mm) / Max: 9.5" (240 mm)
Footrest clearance (ground clearance)	1" (25 mm)
Footrest to seat distance (Footrest length)	Footrests 12.5" to 19.5" (320 mm to 495 mm) / Center Mount 10.5" to 20" (265 mm to 510 mm)
Armrest height	Signature Cantilever (Non-reclining Back) 7.25" to 15.25" (185 mm to 385 mm); Dual Post 10.25" to 15.25" (265 mm to 385 mm); Signature Cantilever (Reclining Back) 10.25" to 16.25" (260 mm to 415 mm)
Front of armrest to backrest	Cantilever Desk 12.9" (330 mm) – Full 16.2" (410 mm) – Extended : 18.2" (462 mm); Dual post Full: 19" (480 mm) / Desk: 15" (380 mm); Recline Desk 13.5" (345 mm) – Full 16.0" (405 mm) – Extended : 18.0" (455 mm)
Armrest length (pad)	Waterfall Full: 13.4" (340 mm) / Desk: 9" (230 mm) Flat Full: 13.75" (350 mm) / Desk: 10" (250 mm) Channel arm trough: 18" (455 mm) X-Wide: 10" (255 mm), 14" (355 mm), 16" (405 mm)
Armrest width	Waterfall: 2.75" (70 mm) Flat: 2.2" (55 mm) Channel arm trough: 4.5" (115 mm) X-Wide: 3.5" (90 mm)
Armrest angle	Signature Cantilever (Non-Reclining Back) 0°, -8°, -16°; Signature Cantilever (Reclining Back): Adjustable range up to 50° upward and 24° downward angles, with overall adjustment range of up to 30°, depending on armrest height; Dual post/Recline: 0°
Distance between armrests (inside)	Cantilever X-wide and Flat: Min 15.4" (390 mm) & Max 27.1" (690 mm); Dual post Waterfall: Min 14.5" (370 mm) & Max 26.5" (675 mm); Flat: Min 15" (380 mm) & Max 26" (660 mm); Reclining Cantilever X-wide and Flat: Min 15.4" (390 mm) & Max 27.1" (690 mm)
Caster wheel diameter	8" (205 mm)
Operating conditions	Temperature from -13°F to +122°F (-25°C to +50°C) Dry heat
Storage conditions	Dry room, temperature -40°F to +149°F (-40°C to +65°C) / Charge monthly
Driving while elevated at reduced speed	25% of the maximum programmed speed
Drive wheel diameter	14" (355 mm)

**NOTE** - Some imperial measurements have been rounded to the nearest decimal and some metric measurements have been rounded to the nearest 5 millimeter.







For more information:

[info@amylor.com](mailto:info@amylor.com)

[www.amylor.com](http://www.amylor.com)

Phone: 1 450 424-0288

T/F Phone: 1 888 453-0311



Manufactured by:

 **AMYLIOR** Inc.

3190 F.-X.-Tessier  
Vaudreuil-Dorion QC  
J7V 5V5, CANADA

---

1360 Boltonfield St.  
Columbus, OH  
43228, USA