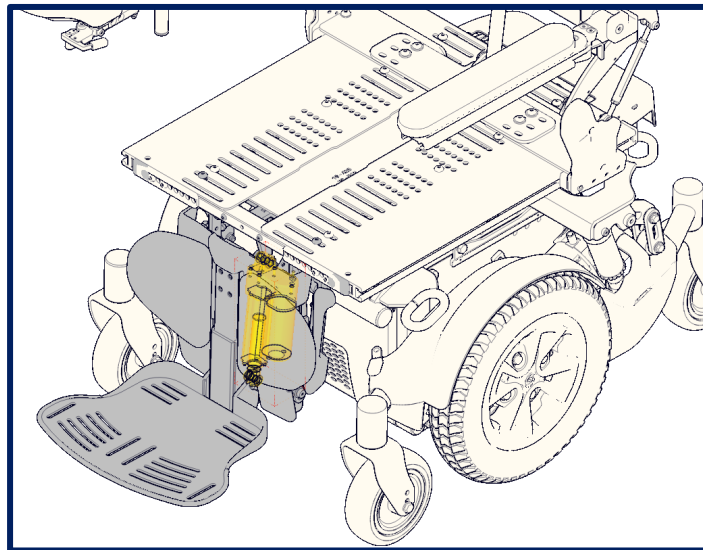
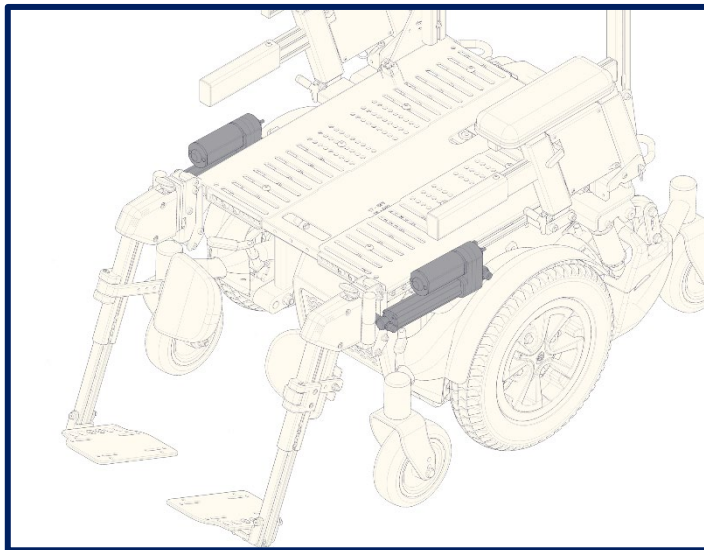


Update Notice:
POWER ELEVATING LEGREST ACTUATORS
(Individual and Center-Mount)



INTRODUCTION

We're pleased to share an update regarding the actuators used in our **ADDPL** (Individual Power Elevating Legrests) and **ADDPF** (Center-Mount Powered Legrest) systems.

As part of our ongoing commitment to performance and user comfort, newly approved actuators have been introduced to offer **lower noise operation**, while continuing to **match or exceed the performance** of the **previous Linak actuators**.

WHAT'S NEW

ADDPL Systems (Signature Power Elevating & Articulating Legrests)

- ADDPL configurations now use **TiMotion actuators** in place of Linak actuators.
- This change is considered a retrofit at the equipment level. Existing configurations can be updated to TiMotion actuators without impacting overall system design.

ADDPF Systems (Power Center Mount Elevating & Articulating Foot Platform)

- As of now, ADDPF configurations will use **TiMotion actuators**.
- Linak actuators remain available for servicing existing ADDPF systems only.

*Power Elevating Legrest Actuators (cont'd)***ADDITIONAL INFORMATION****Serviceing Support Available**

If servicing is required for individual power elevating legrests (ADDPL) or a power center mount foot platform (ADDPF), Our **Technical Support** team can help ensure actuator modifications preserve both the function and aesthetic of the Alltrack.

For servicing instructions related ADDPL and ADDPF systems, please refer to the instruction guides below.

Instruction Guides

All pertinent documents have been updated and are online.

- [ADDPL Instruction Guide](#)
- [ADDPF Instruction Guide](#)